

Installation Instructions

Bracket Mount Instructions WR30X10093, WR30X10102 & WR30X30972

Questions? Call 1-800-GE-CARES (1-800-432-2737)

IMPORTANT SAFETY INFORMATION

READ ALL INSTRUCTIONS BEFORE INSTALLING THE ICEMAKER OR ACCESSORIES

▲ WARNING To reduce the risk of fire, explosion, electric shock, or injury when using your refrigerator, follow these basic safety precautions:

- Read the full Safety Information and Instructions of your refrigerator before installing or operating the icemaker.
- Unplug the refrigerator before beginning the installation of this icemaker accessory kit.
- When moving the refrigerator away from the wall, be careful not to roll over or damage the power cord.
- Replace all parts and panels of the refrigerator before operating.
- Connect to potable water supply only.

▲ CAUTION

Avoid contact with the moving parts of the icemaker ejector mechanism, or with the heating element that releases the cubes, located on the bottom of the icemaker. Do not place fingers or hands on the automatic icemaker while the refrigerator is plugged in.

Tools Needed

Flatblade screwdriver

Phillips head screwdriver

1/4" Hex head driver



GE APPLIANCES

31-49143 Rev. 2 11-18 GEA

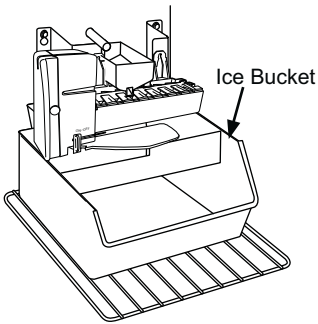
USE THESE INSTRUCTIONS FOR METAL INTERIOR LINED SIDE-BY-SIDE REFRIGERATORS ONLY

Installation Instructions

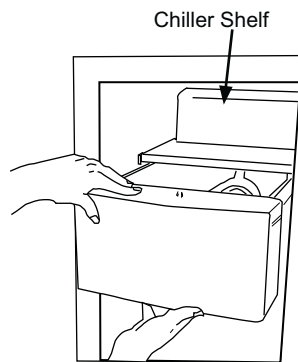
Bracket Mount Instructions WR30X10093, WR30X10102 & WR30X30972

These instructions apply to metal interior lined side-by-side refrigerators only. For Plastic interior lined side-by-side refrigerators refer to page 4. For top-freezer refrigerators refer to page 6.

STEP 1 REMOVE THE ICE BUCKET & CHILLER SHELF (If Applicable)



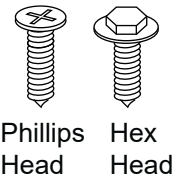
Non-Dispenser Side-By-Side Bucket



Dispenser Side-By-Side Bucket

STEP 2 REMOVE THE EXISTING ICEMAKER

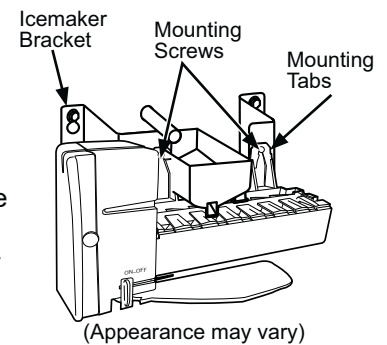
The icemaker will be attached to the icemaker bracket with a Phillips head or Hex head screws.



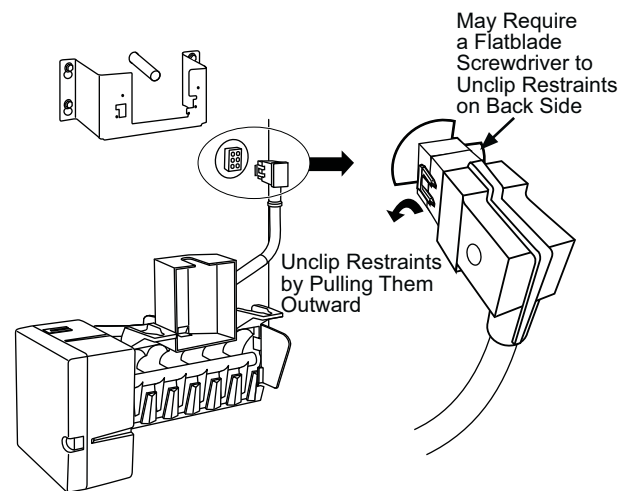
- Using the appropriate screwdriver, loosen the 2 mounting screws until the screw heads extend about 1/2" (13mm) from the icemaker bracket.

NOTE: Do not completely remove the screws.

- Slide the icemaker upwards so that the screws are in the wide part of the mounting tab. Pull the icemaker away from the icemaker bracket.



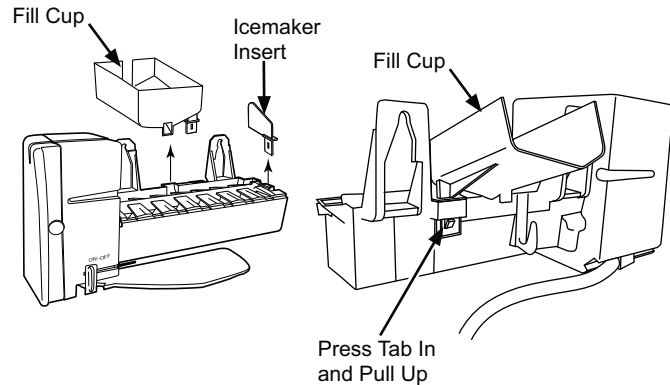
- To unplug the icemaker, locate the restraints on each side of the plug. Unclip the restraints by pulling outward.



- Unplug the icemaker from the socket located on the rear wall of the freezer.

STEP 3 REMOVE FILL CUP AND ICEMAKER INSERT

- Remove the fill cup and icemaker insert from the old icemaker.
- Discard the old icemaker.

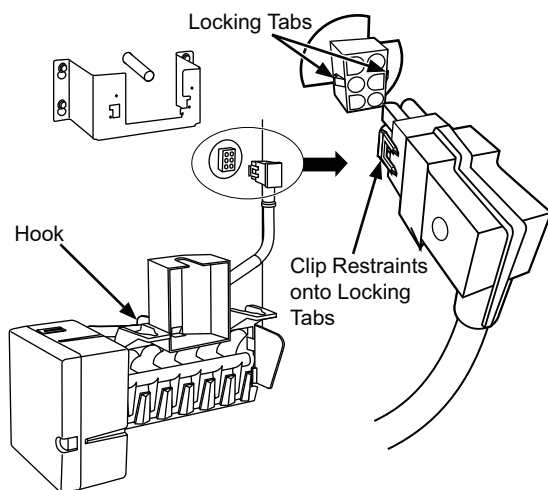


STEP 4 INSTALL FILL CUP AND ICEMAKER INSERT INTO NEW ICEMAKER

- If you received a NEW fill cup with your icemaker install the fill cup now.
- If you did not receive a new fill cup, reinstall the fill cup from the old icemaker.
- Install the icemaker insert into the new icemaker.

STEP 5 PLUG IN THE ICEMAKER

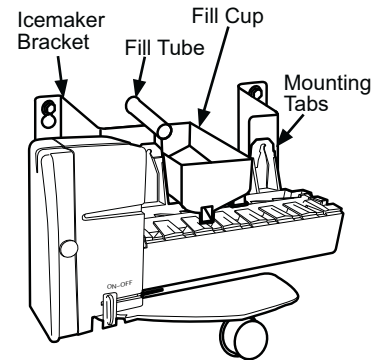
Holding the icemaker in place, insert the icemaker power cord plug into the socket, making sure that the prongs and holes are matched. Press the plug firmly into the socket. Lock the plug in place by clipping the restraints onto each side of the plug. Make sure the restraints click into place.



NOTE: The power cord SHOULD NOT be placed in the hook on the back of the icemaker.

STEP 6 MOUNT THE ICEMAKER

- Lift the icemaker up and hang it on the icemaker bracket. Make sure the fill tube goes into the fill cup opening. Secure the icemaker to the bracket with the two screws and install as shown.



(Appearance may vary)

NOTE: It is critical that the fill tube is positioned into the fill cup opening.

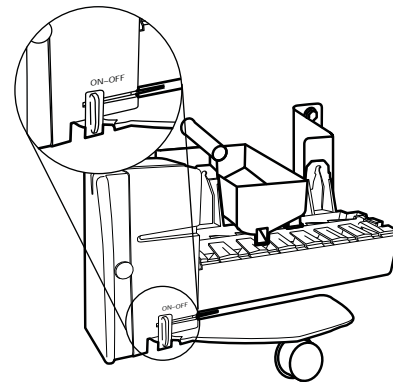
Make Sure:

- The power cord is still firmly in the socket.
- The fill tube extends into the fill cup opening at the back of the icemaker.
- The icemaker is secured to the bracket.
- The icemaker is level side to side and front to back.

STEP 7 COMPLETE THE INSTALLATION

- Reconnect power to the refrigerator.
- Set the icemaker power switch to the ON position.
- Make sure that the icemaker power cord is currently plugged in.
- Replace the ice bucket and chiller shelf (if applicable). Return any items that were removed to the freezer.

It may take several hours for the freezer to reach the selected temperature and for ice production to begin.



Congratulations! You have completed the installation of your new GE electronic icemaker. If you have any further issues with the icemaker or your refrigerator, please call **1-800-GE-CARES (1-800-432-2737)** for additional help or information.

Thank you for choosing GE Appliances.

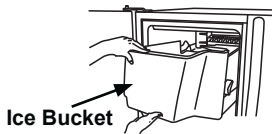
USE THESE INSTRUCTIONS FOR PLASTIC INTERIOR LINED SIDE-BY-SIDE REFRIGERATORS ONLY

Installation Instructions

Bracket Mount Instructions WR30X10093, WR30X10102 & WR30X30972

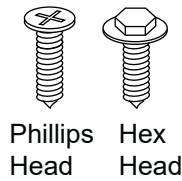
These instructions apply to plastic interior lined side-by-side refrigerators only. For Metal interior lined side-by-side units refer to page 2. For top-freezer units refer to page 6.

STEP 1 REMOVE THE ICE BUCKET



STEP 2 REMOVE THE EXISTING ICEMAKER

The icemaker will be attached to the icemaker bracket with Phillips head or Hex head screws.

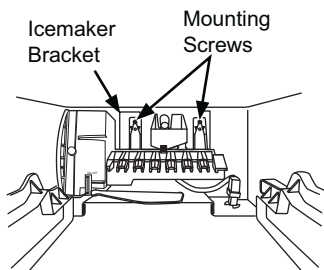


- Using the appropriate screwdriver, loosen and remove the 2 mounting screws.

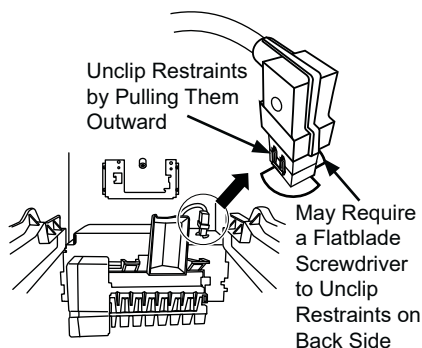
NOTE: Remove screws

completely. If screws fall into the icemaker they can be retrieved when icemaker has been removed.

- Slide the icemaker up and out from the bracket.

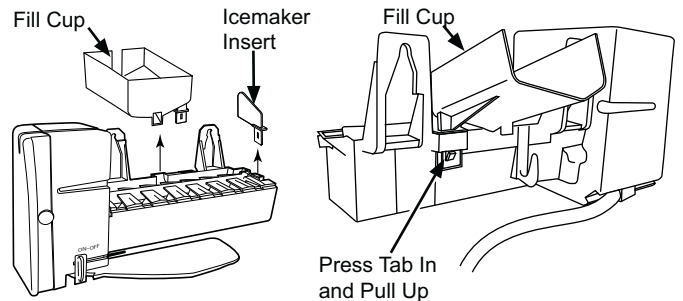


- To unplug icemaker, locate restraints on each side of plug. Unclip the restraints by pulling outward.
- Unplug icemaker from socket located on the top of auger motor housing.



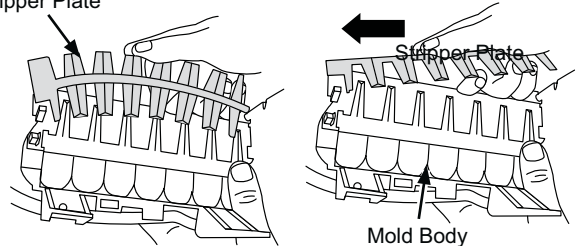
STEP 3 REMOVE FILL CUP, ICEMAKER INSERT AND PLASTIC STRIPPER PLATE

- Remove fill cup and icemaker insert from old icemaker.



- YOU MUST REMOVE THE OLD STRIPPER AND USE ON THE NEW ICEMAKER. YOU CANNOT USE THE NEW STRIPPER.

To remove, gently pull out on the center of the plastic to disengage the right end from the slot on the housing. Push the piece off the mold body post at the opposite end. You may need to wiggle the stripper. Remove the stripper from the new icemaker the same way, and replace with the original one.



- Discard the old icemaker.

STEP 4 INSTALL FILL CUP AND ICEMAKER INSERT INTO NEW ICEMAKER

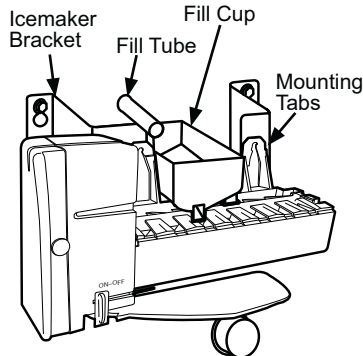
- If you received a NEW fill cup with your icemaker install the fill cup now.
- If you did not receive a new fill cup, reinstall the fill cup from the old icemaker.
- Install the icemaker insert into the new icemaker.

STEP 5 ATTACH THE ORIGINAL PLASTIC STRIPPER PLATE TO NEW ICEMAKER

- Align the hole on the original plastic stripper, with the post on the end of the icemaker. Rotate the piece towards mold body as you pull it onto the post.
- Flex the plastic outward from the middle as you align the end with the slot in the housing.
- Make certain the grooves on the inside of the stripper align with the mold body so that it fits straight.

STEP 6 MOUNT THE ICEMAKER

- Lift the icemaker up and hang it on the icemaker bracket. Make sure the fill tube goes into the fill cup opening. Secure the icemaker to the bracket with the two screws and install as shown.



NOTE: It is critical that the fill tube is positioned into the fill cup opening.

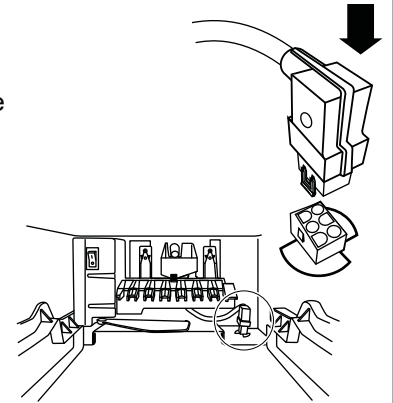
Make Sure:

- The power cord is still firmly in the socket.
- The fill tube extends into the fill cup opening at the back of the icemaker.
- The icemaker is secured to the bracket.
- The icemaker is level side to side and front to back.

STEP 7 PLUG IN THE ICEMAKER

Insert the icemaker power cord plug into the socket, making sure that the prongs and holes are matched. Press the plug firmly into the socket.

Lock the plug in place by clipping the restraints onto each side of the plug. Make sure the restraints click into place and the power cord is firmly in the socket.

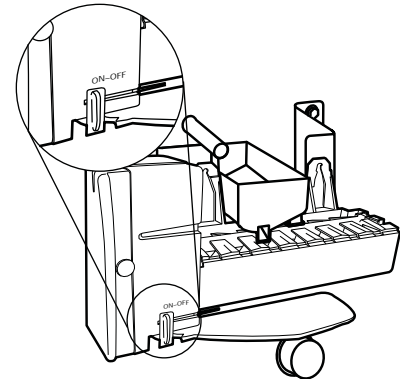


NOTE: The power cord SHOULD be placed in the hook on the back of the icemaker.

STEP 8 COMPLETE THE INSTALLATION

- Reconnect power to the refrigerator.
- Set the icemaker power switch to the ON position.
- Make sure that the icemaker power cord is currently plugged in.
- Replace the ice bucket and chiller shelf (if applicable). Return any items that were removed to the freezer.

It may take several hours for the freezer to reach the selected temperature and for ice production to begin.



Congratulations! You have completed the installation of your new GE electronic icemaker. If you have any further issues with the icemaker or your refrigerator, please call **1-800-GE-CARES (1-800-432-2737)** for additional help or information.

Thank you for choosing GE Appliances.

USE THESE INSTRUCTIONS FOR TOP-FREEZER REFRIGERATORS ONLY

Installation Instructions

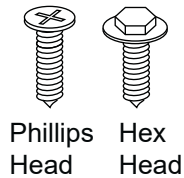
Bracket Mount Instructions WR30X10093, WR30X10102 & WR30X30972

These instructions apply to top-freezer refrigerators only. For metal interior lined side-by-side refrigerators refer to page 2. For plastic interior lined side-by-side refrigerators refer to page 4.

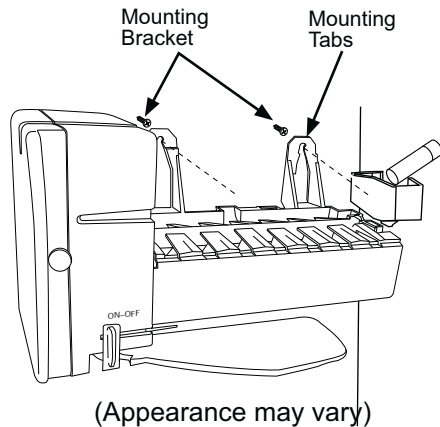
STEP 1 REMOVE THE EXISTING ICEMAKER

The icemaker will be attached to the side wall of the freezer with a Phillips head or Hex head screws.

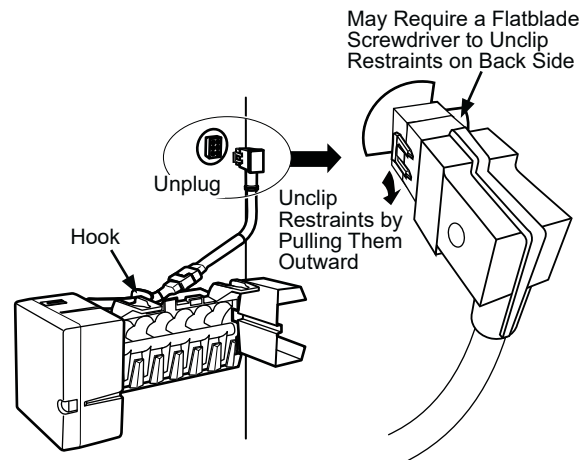
- Using the appropriate screwdriver, loosen the mounting screws until the screw heads extend about 1/2" (13mm) from the freezer wall.



NOTE: Do not completely remove the screws.



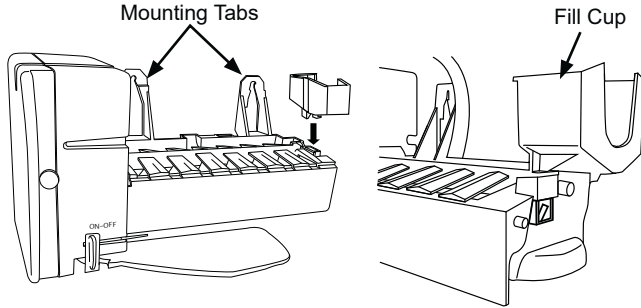
- Slide the icemaker upwards so that the screws are in the wide part of the mounting tab. Pull the icemaker away from the side wall of the freezer.
- To unplug the icemaker, locate the restraints on each side of the plug. Unclip the restraints by pulling outward.



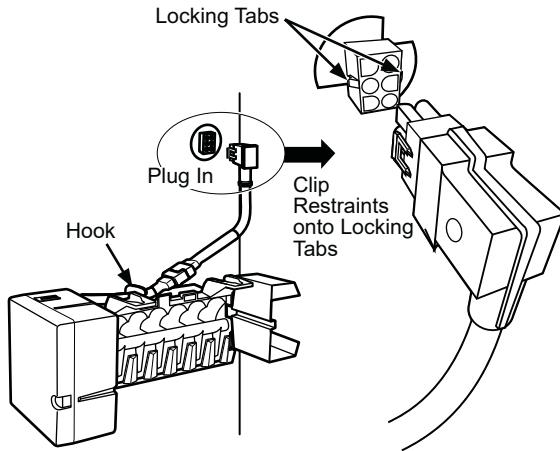
- Unplug the icemaker from the socket located on the back or side wall of the freezer.
- Discard old icemaker.

STEP 2 INSTALL THE NEW ICEMAKER

- Assemble the fill cup to the icemaker.

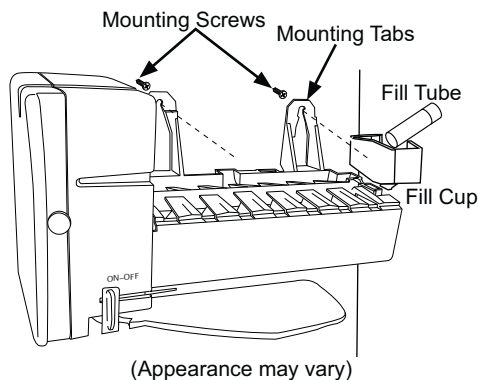


- Plug the icemaker power cord into the socket. Press firmly into place. Lock the plug in place by clipping the restraints onto each side of the plug.



NOTE: If the plug is located on the back wall of the freezer, the power cord **SHOULD NOT** be placed in the hook on the back of the icemaker.

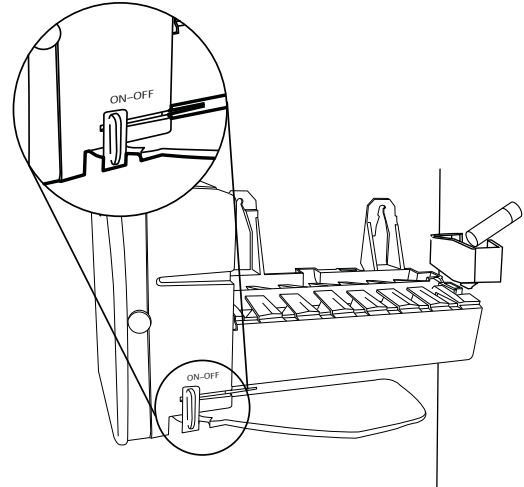
- Position the icemaker mounting tabs over the mounting screws. **NOTE:** It is critical that the fill tube is positioned in the fill cup opening.
- Retighten the mounting screws. Make certain that the icemaker is level.



STEP 3 COMPLETE THE INSTALLATION

- Reconnect power to the refrigerator.
- Set the icemaker power switch to the ON position.
- Make sure that the icemaker power cord is currently plugged in.
- Replace the ice bucket in the proper location. Return any items that were previously removed from the freezer.

It may take several hours for the freezer to reach the selected temperature and for ice production to begin.



Congratulations! You have completed the installation of your new GE electronic icemaker. If you have any further issues with the icemaker or your refrigerator, please call **1-800-GE-CARES (1-800-432-2737)** for additional help or information.

Thank you for choosing GE Appliances.

Notes