



ROOM AIR CONDITIONER

SAFETY INFORMATION3

USING THE AIR CONDITIONER

Controls4

Remote Control5

Cool Mode5

Energy Saver Mode5

Air Direction6

CARE AND CLEANING

Grille and Case7

Air Filter7

Outdoor Coils7

Install Batteries in Remote7

INSTALLATION INSTRUCTIONS

Before you begin8

Electrical Requirements8

Parts Included9

Window Requirements10

Prepare the Air Conditioner10

Install the Air Conditioner13

TROUBLESHOOTING TIPS16

Normal Operating Sounds16

CONSUMER SUPPORT

Warranty17

Consumer SupportBack Cover

OWNER'S MANUAL & INSTALLATION INSTRUCTIONS

AHS24

Write the model and serial numbers here:

Model # _____

Serial # _____

You can find the rating label on the side of the air conditioner.

THANK YOU FOR MAKING GE APPLIANCES A PART OF YOUR HOME.

Whether you grew up with GE Appliances, or this is your first, we're happy to have you in the family.

We take pride in the craftsmanship, innovation and design that goes into every GE Appliances product, and we think you will too. Among other things, registration of your appliance ensures that we can deliver important product information and warranty details when you need them.

Register your GE appliance now online. Helpful websites and phone numbers are available in the Consumer Support section of this Owner's Manual. You may also mail in the pre-printed registration card included in the packing material.



GE APPLIANCES

IMPORTANT SAFETY INFORMATION

READ ALL INSTRUCTIONS BEFORE USING THE APPLIANCE

▲ WARNING

For your safety, the information in this manual must be followed to minimize the risk of fire, electric shock or personal injury.

- Use this appliance only for its intended purpose as described in this Owner's Manual.
- This air conditioner must be properly installed in accordance with the Installation Instructions before it is used.
- Never unplug your air conditioner by pulling on the power cord. Always grip plug firmly and pull straight out from the receptacle.
- Replace immediately all electric service cords that have become frayed or otherwise damaged. A damaged power supply cord must be replaced with a new power supply cord obtained from the manufacturer and not repaired. Do not use a cord that shows cracks or abrasion damage along its length or at either the plug or connector end.
- Turn the unit OFF and unplug your air conditioner before cleaning.
- For your safety...do not store or use combustible materials, gasoline or other flammable vapors or liquids in the vicinity of this or any other appliance.
- All air conditioners contain refrigerants, which under federal law must be removed prior to product disposal. If you are getting rid of an old product with refrigerants, check with the company handling disposal about what to do.
- If the receptacle does not match the plug, the receptacle must be changed out by a qualified electrician.
- These R410A air conditioning systems require contractors and technicians to use tools, equipment and safety standards approved for use with this refrigerant. DO NOT use equipment certified for R22 refrigerant only.

▲ WARNING

USE OF EXTENSION CORDS

RISK OF FIRE. Could cause serious injury or death.

- DO NOT use an extension cord with this Window Air Conditioner.
- DO NOT use surge protectors or multi-outlet adaptors with this Window Air Conditioner.

HOW TO CONNECT ELECTRICITY

Do not, under any circumstances, cut or remove the third (ground) prong from the power cord. For personal safety, this appliance must be properly grounded.

DO NOT use an adapter plug with this appliance.

The power cord of this appliance is equipped with a 3-prong (grounding) plug which mates with a standard 3-prong (grounding) wall outlet to minimize the possibility of electric shock hazard from this appliance.

Power cord includes a current interrupter device. A test and reset button is provided on the plug case. The device should be tested on a periodic basis by first pressing the **TEST** button and then the **RESET** button while plugged into the outlet. If the **TEST** button does not trip or if the **RESET** button will not stay engaged, discontinue use of the air conditioner and contact a qualified service technician.

Have the wall outlet and circuit checked by a qualified electrician to make sure the outlet is properly grounded.

Where a 2-prong wall outlet is encountered, it is your personal responsibility and obligation to have it replaced with a properly grounded 3-prong wall outlet.

The air conditioner should always be plugged into its own individual electrical outlet which has a voltage rating that matches the rating plate.

This provides the best performance and also prevents overloading house wiring circuits which could cause a fire hazard from overheated wires.

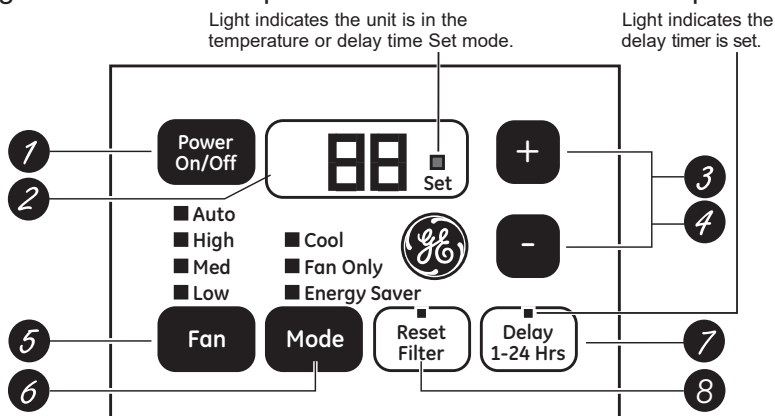
See the Installation Instructions, **Electrical Requirements** section for specific electrical connection requirements.

READ AND SAVE THESE INSTRUCTIONS

Controls

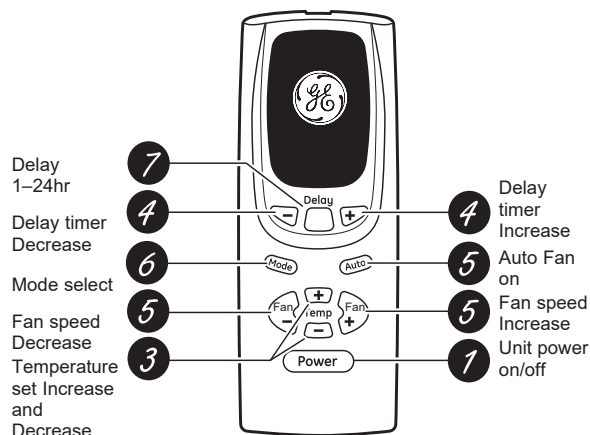
Features and appearance will vary.

Lights below the touch pads on the air conditioner control panel indicate the selected settings.



NOTE: The display always shows the room temperature except when setting the Set temperature or the Delay timer.

Air Conditioner Controls



Remote Control

Controls

1. Power Pad

Turns air conditioner on and off. When turned on, the display will show the room temperature.

2. Display

Shows the room temperature or time remaining on the Delay timer. Shows the **Set** temperature while setting the temperature in **Cool** or **Energy Saver** modes.

3. Temp Increase + / Decrease – Pads

Use to set temperature when in Cool or Energy Saver mode. The Set light will turn on while setting.

4. Delay Increase + / Decrease – Pads

Each touch of the Increase ▲ / Decrease ▼ pads on the unit or the Increase + / Decrease – pads on the remote control will set the delay time when using the Delay 1–24hr timer. The Set light will turn on while setting.

5. Fan Speed Pad

Use to set the fan speed to Low, Med, High or Auto on the unit. NOTE: On the remote control, use the fan speed Increase + / Decrease – pads to set the fan speeds to Low, Med or High. Use the Auto pad to turn Auto fan on.

6. Mode Pad

Use to set the air conditioner to Cool, Energy Saver or Fan Only mode.

7. Delay Pad

Delay ON—When the air conditioner is off, it can be set to automatically come on in 1 to 24 hours at its previous mode and fan settings.

Delay OFF—When the air conditioner is on, it can be set to automatically turn off in 1 to 24 hours.

How to set:

Press the Delay 1–24hr pad on the unit or the Delay pad on the remote control. Each touch of the Increase ▲ / Decrease ▼ pads on the unit or the Increase + / Decrease – pads on the remote control will set the timer in 1-hour intervals. The Set light will turn on while setting.

To review the remaining time on the Delay 1–24hr timer, press the Delay 1–24hr pad on the unit or the Delay pad on the remote control. Use the Increase ▲ / Decrease ▼ pads on the unit or the Increase + / Decrease – pads on the remote control to set a new time if desired.

To cancel the timer, press the Delay 1–24hr pad until the light on the Delay 1–24hr pad goes off.

8. Filter Reset Pad

LED will turn on when fan has accumulated 250 hours of run time as a reminder to clean filter. Press Reset Filter to turn off the LED and reset the accumulated run time.

Note: The default temperature reading on the display is degree Fahrenheit (°F). To change the display to degree Celsius (°C), press the Temp Increase ▲ and Temp Decrease ▼ buttons together and hold for 3 seconds. Repeat the process to change back to degree Fahrenheit (°F)

Using the Air Conditioner

Do Not Operate in Freezing Outdoor Conditions

This cool-only air conditioner was not designed for freezing outdoor conditions. It must not be used when the outdoor temperature is below freezing (32°F).

Remote Control

- To ensure proper operation, aim the remote control at the signal receiver on the air conditioner.
 - Make sure nothing is between the air conditioner and the remote control that could block the signal.
 - The remote control signal has a range of up to 20 feet.
 - Make sure batteries are fresh and installed correctly as indicated on the remote control.
 - Remote contains a magnet allowing it to attach to metal surfaces.
-

Cool Mode

Use the Cool mode at Low, Med, High or Auto Fan Speed for cooling. Use the Temperature Increase ▲ / Decrease ▼ pads to set the desired temperature between 64°F and 86°F in 1°F increments.

An electronic thermostat is used to maintain the room temperature. The compressor will cycle on and off to keep the room at the set level of comfort. Set the thermostat at a lower number and the indoor air will become cooler. Set the thermostat at a higher number and the indoor air will become warmer.

NOTE: If the air conditioner is off and is then turned on while set to a **Cool** setting or if turned from a fan setting to a **Cool** setting, it may take approximately 3 minutes for the compressor to start and cooling to begin.

Energy Saver Mode

This mode optimizes the cooling power of your air conditioner, thereby saving you energy. Once the set point temperature has been reached, the fan will cycle off to save energy. The fan will cycle back on periodically to insure all cooling capacity in the system is used. This mode is the default mode for the unit. Each time the unit is powered off, it will restart in **Energy Saver** mode **ON**. This includes **Delay** timer mode. The first time the unit is turned on, the settings will be 70° and **Low** fan. You can adjust the fan speed and temperature to your personal comfort.

Cooling Descriptions

For Normal Cooling—Select the **Cool** mode and **High** or **Med** fan with a middle set temperature.

For Maximum Cooling—Select the **Cool** mode and **High** fan with a lower set temperature.

For Quieter and Nighttime Cooling—Select the **Cool** mode and **Low** fan with a middle set temperature.

ON—The fan will cycle on and off with the compressor. This may result in wider variations of room temperature and humidity. **NOTE:** the fan may continue to run for a short time or may pulse intermittently after the compressor cycles off to sample the room air.

OFF—The fan runs all the time, while the compressor cycles on and off.

Using the Air Conditioner

Fan Only Mode

Use the Fan Only Mode at Low, Med or High fan speed to provide air circulation and filtering without cooling. Since fan-only settings do not provide cooling, a Set temperature cannot be entered. The room temperature will appear in the display.

NOTE: Auto Fan Speed cannot be used when in the Fan Only Mode.

Auto Fan Mode

Set to **Auto** fan speed for the fan speed to automatically set to the speed needed to provide optimum comfort settings with the set temperature.

If the room needs more cooling, the fan speed will automatically increase. If the room needs less cooling, the fan speed will automatically decrease.

NOTE: Auto Fan Speed cannot be used when in the Fan Only Mode.

Control Display On and Off

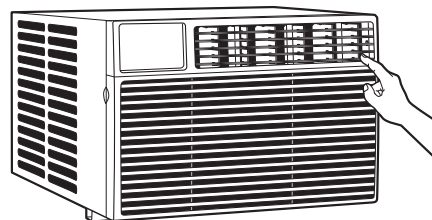
To reduce brightness during sleeping hours, this air conditioner control display has an automatic off feature where the control display will turn off completely after 2 minute of inactivity. To illuminate the control interface, press any button on the control display or remote control. The control display will illuminate all previously illuminated LED's. The control interface will now respond to any prescribed button press after it is illuminated.

Power Outage Recovery Feature

In the case of a power outage or interruption, the unit will automatically restart in the settings last used after the power is restored. If the Delay 1–24hr feature was set, it will resume countdown. You may need to set a new time if desired.

Air Direction

Use the lever to adjust the air direction left and right only.



Care and Cleaning

Grille and Case

Turn the air conditioner off and remove the plug from the wall outlet before cleaning.

To clean, use water and a mild detergent. Do not use bleach or abrasives.

Air Filter

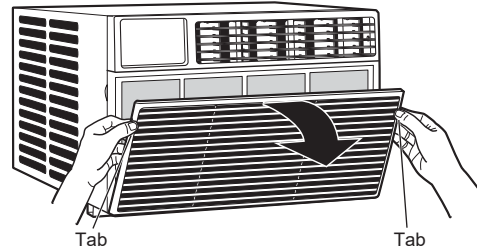
The air filter behind the front grille should be checked and cleaned at least every 30 days or more often if necessary.

To remove:

Open the inlet grille by pulling downward on the tabs at the top upper corners of the inlet grille until the grille is in a 45° position. Remove the filter.

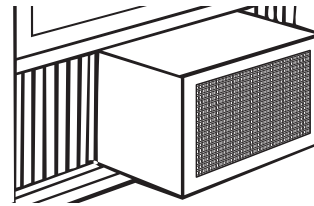
Clean the filter with warm, soapy water. Rinse and let the filter dry before replacing it. Do not clean the filter in a dishwasher.

CAUTION DO NOT operate the air conditioner without a filter because dirt and lint will clog it and reduce performance.



Outdoor Coils

The coils on the outdoor side of the air conditioner should be checked regularly. If they are clogged with dirt or soot, they may be professionally cleaned.



How to Insert the Battery in the Remote Control

1. Remove the battery cover by sliding it according to the arrow direction.
2. Insert new batteries, making sure that the (+) and (-) of battery are installed correctly.
3. Reattach the cover by sliding it back into position.

NOTES:

- Use 2 "AAA" (1.5 volt) alkaline batteries. Do not use rechargeable batteries.
- Remove the batteries from the remote control if the system is not going to be used for a long time.
- Do not mix old and new batteries. Do not mix alkaline, standard (carbon-zinc) or rechargeable (ni-cad, ni-mh, etc) batteries.

Installation Instructions

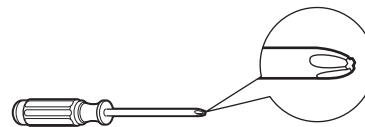
Questions? Call 800.GE.CARES (800.432.2737) or Visit our Website at: GEAppliances.com

BEFORE YOU BEGIN

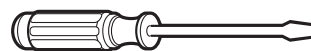
Read these instructions completely and carefully.

- **IMPORTANT** – Save these instructions for local inspector's use.
- **IMPORTANT** – Observe all governing codes and ordinances.
- **Note to Installer** – Be sure to leave these instructions with the Consumer.
- **Note to Consumer** – Keep these instructions for future reference.
- **Skill level** – Installation of this appliance requires basic mechanical skills.
- **Completion time** – Approximately 1 hour
- We recommend that two people install this product.
- Proper installation is the responsibility of the installer.
- Product failure due to improper installation is not covered under the Warranty.
- You **MUST** use all supplied parts and use proper installation procedures as described in these instructions when installing this air conditioner.

TOOLS YOU WILL NEED



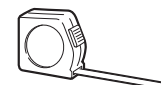
Phillips head screwdriver



Flat-blade screwdriver



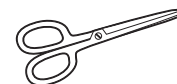
Pencil



Ruler or tape measure



Level



Scissors or knife

ELECTRICAL REQUIREMENTS



Some models require a 115/120-volt AC, 60-Hz grounded outlet protected with a 15-amp time-delay fuse or circuit breaker.

The 3-prong grounding plug minimizes the possibility of electric shock hazard. If the wall outlet you plan to use is only a 2-prong outlet, it is your responsibility to have it replaced with a properly grounded 3-prong wall outlet.



Some models require 230/208-volt AC, protected with a time-delay fuse or circuit breaker. These models should be installed on their own single branch circuit for best performance and to prevent overloading house or apartment wiring circuits, which could cause a possible fire hazard from overheating wires.



CAUTION

Do not, under any circumstances, cut or remove the third (ground) prong from the power cord.

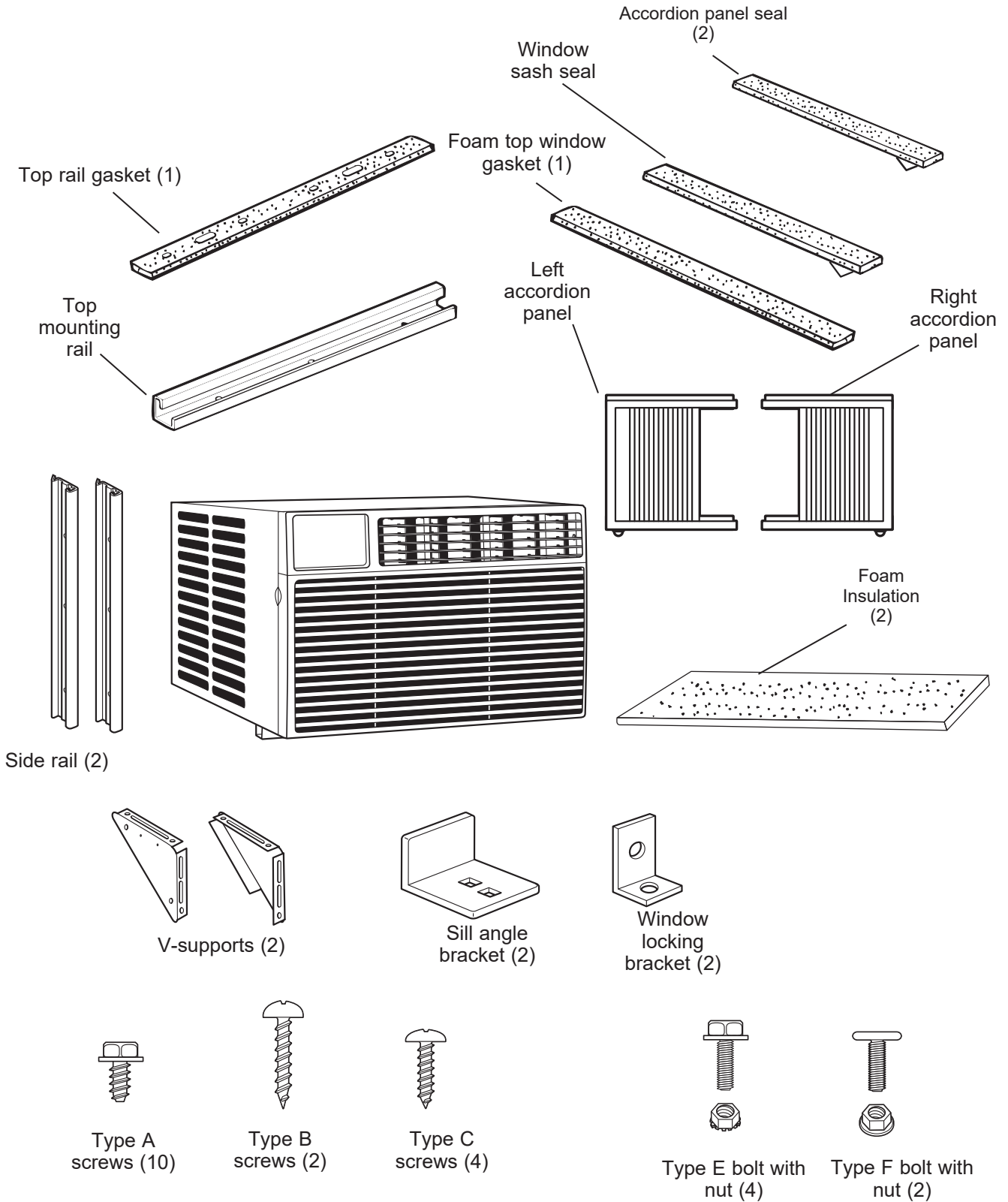
Do not change the plug on the power cord of this air conditioner.

Aluminum house wiring may present special problems—consult a qualified electrician.

Power cord includes a current interrupter device. A test and reset button is provided on the plug case. The device should be tested on a periodic basis by first pressing the TEST button and then the RESET button while plugged into the outlet. If the TEST button does not trip or if the RESET button will not stay engaged, discontinue use of the air conditioner and contact a qualified service technician.

Installation Instructions

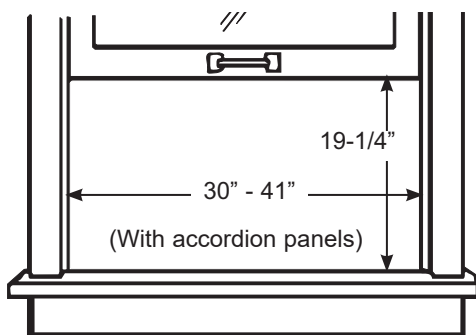
PARTS INCLUDED (Appearance may vary)



Installation Instructions

1. WINDOW REQUIREMENTS

- These instructions are for a standard double-hung window. You will need to modify them for other types of windows.
- The air conditioner can be installed without the accordion panels if needed to fit in a narrow window. See the window opening dimensions.
- All supporting parts must be secured to firm wood, masonry or metal.
- The electrical outlet must be within reach of the power cord.



2. STORM WINDOW REQUIREMENTS

A storm window frame will not allow the air conditioner to tilt toward the outside, and will keep it from draining properly. To adjust for this, attach a piece of wood to the sill.

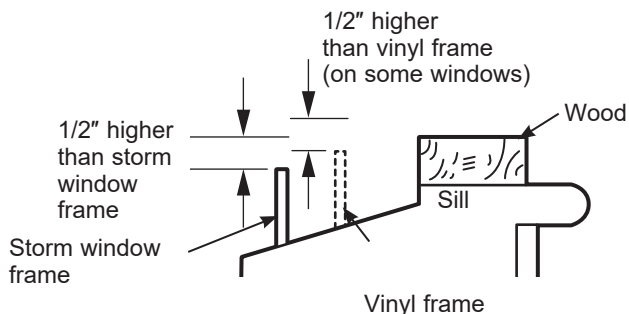
WOOD PIECES

WIDTH: 2"

LENGTH: Long enough to fit inside the window frame.

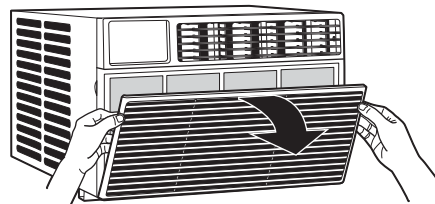
THICKNESS: To determine the thickness, place a piece of wood on the sill to make it 1/2" higher than the top of the storm window frame or the vinyl frame.

Attach securely with nails or screws provided by the installer.

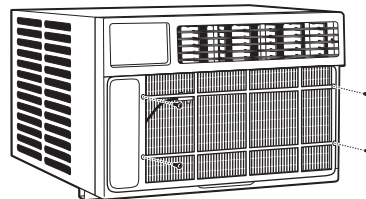


3. PREPARE THE AIR CONDITIONER

- A. Pull down the front panel and remove the filter. Remove the front panel by lifting up at an angle.

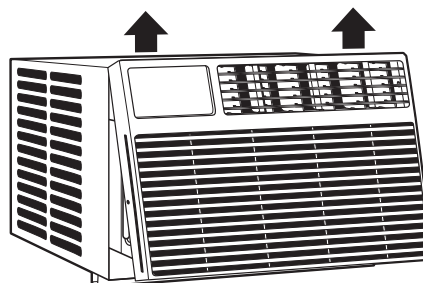


- B. Remove the four front screws. Save them for reinstalling the front housing.

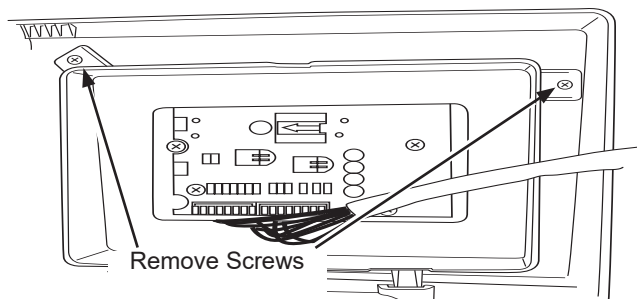


- C. Grasp the lower corners of the grille while pressing in on the case sides with your fingertips. Pull out to release and lift it up.

NOTE: Do not pull the bottom edge toward you more than 3" or you may damage the tabs of the grille.



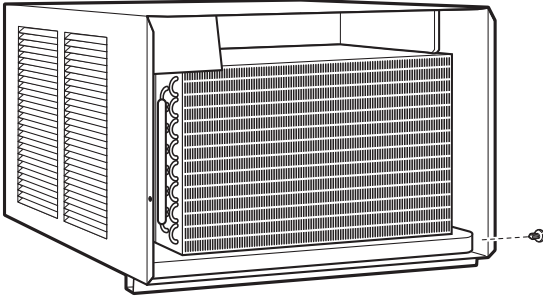
- D. When the front grille is removed the control panel will still be attached by a harness. Turn the grille around so you can see the back side of the grille. Remove the 2 screws to separate the control panel housing from the grille. **NOTE:** Be sure to save these screws. You will need them later in the installation.



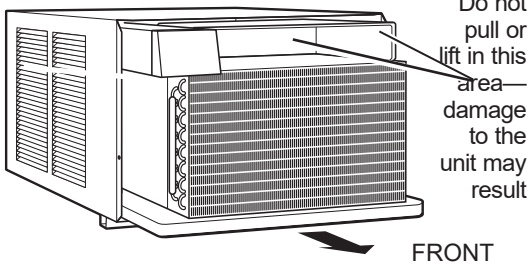
Installation Instructions

3. PREPARE THE AIR CONDITIONER (continues)

- E. Remove the ground screw from the left side of the case. Keep it in a safe location. NOTE: Be sure to save this screw. You will need them later in the installation.

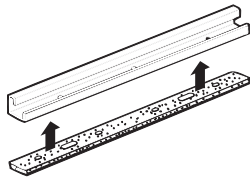


- F. Slide the air conditioner from the case by gripping the base pan handle and pulling forward while bracing the case. Do not pull or lift on the foam discharge area.

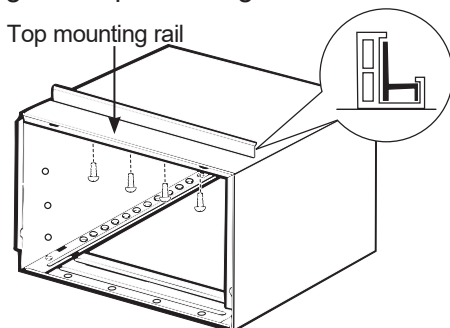


4. PREPARE THE CASE

- A. Attach the top rail gasket to the bottom of the top rail.

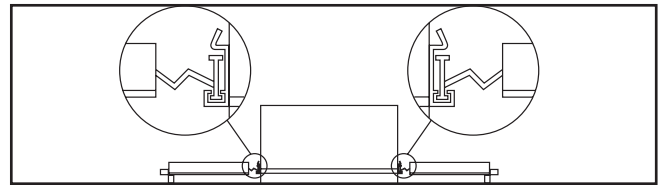
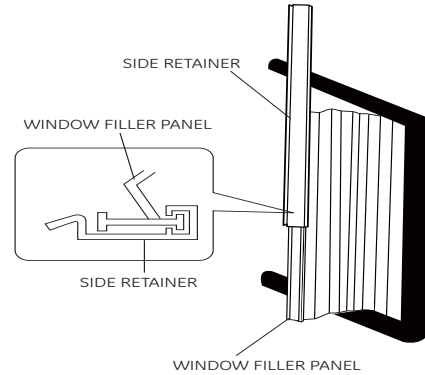


- B. Install the top mounting rail with 4 type A screws from the inside of the case. Press firmly to drive the screws into the gasket and through the top mounting rail.

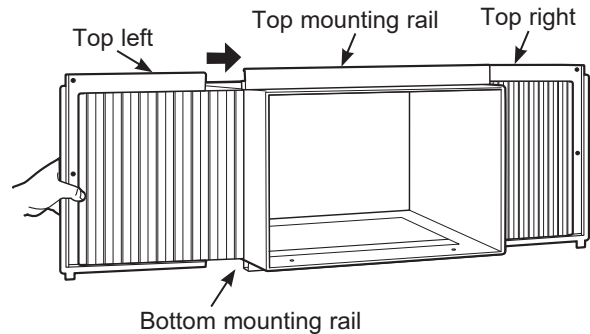


4. PREPARE THE CASE

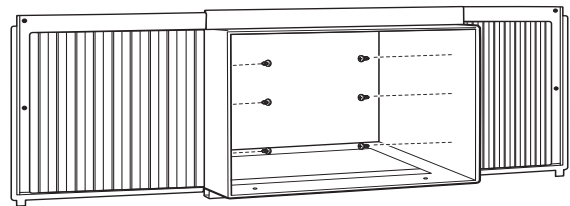
- C. Slide each side retainer onto the edge of each accordion panel. The figure shows the orientation of each accordion panel and side retainer assembly relative to the case from a top view of the unit.



- D. Slide the left and right accordion panels into the top and bottom mounting rails.



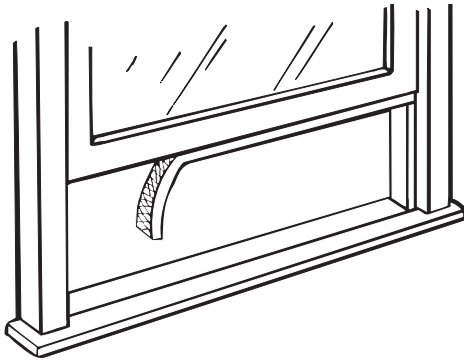
- E. Attach the side retainers to the case using 6 type A screws.



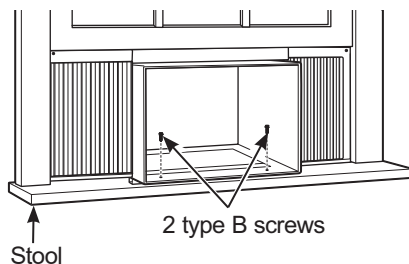
Installation Instructions

5. PREPARE THE WINDOW AND INSTALL THE CASE

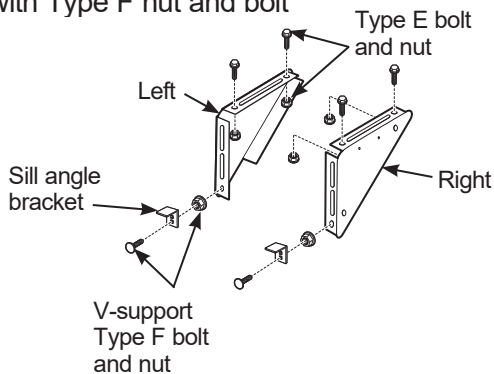
- A. Cut the window sash seal to the proper length. Peel off the backing and attach the seal to the underside of the window sash.



- B. Open the window and mark the center of the window sill.
- C. Carefully slide the case into the window and center the case. Lower the window behind the top mounting rail. Pull the bottom of the case forward so that the bottom mounting rail is tight against the back of the window stool. Mount the case to the window sill using 2 type B screws. Drill pilot holes, if necessary.

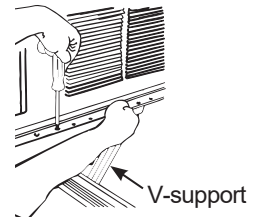


- D. Assemble the V-support and V-support bracket with Type F nut and bolt

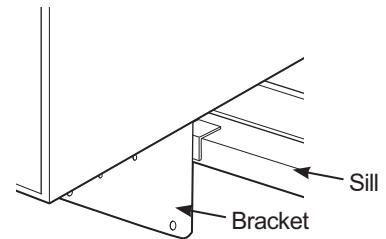


5. PREPARE THE WINDOW AND INSTALL THE CASE (continues)

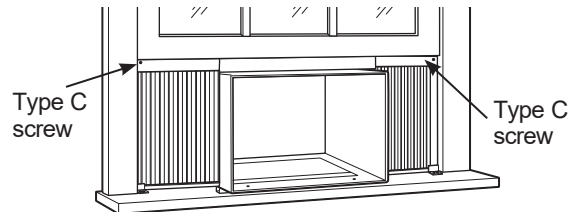
- E. Position the V-supports on the case bottom so that they will be near the outside wall. Attach a V-support to each side of the bottom of the case with Type E bolts, 2 for each support.



- F. Adjust sill angle brackets to rest on sill.



- G. Extend the left and right accordion panels to the vertical window sashes. Drill pilot holes and attach the top corners with 2 type C screws.



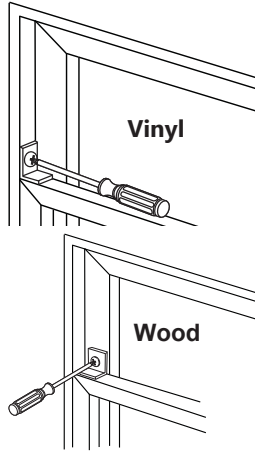
Installation Instructions

5. PREPARE THE WINDOW AND INSTALL THE CASE (continues)

Use Type B Screw to install the window lock bracket on top of the bottom window.

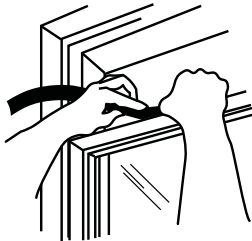
H. **CAUTION**

To prevent broken glass or damage to windows, on vinyl or other similarly constructed windows, attach the window locking bracket to the window side jamb with one Type B screw.



I. Cut the foam top window gasket to the window width.

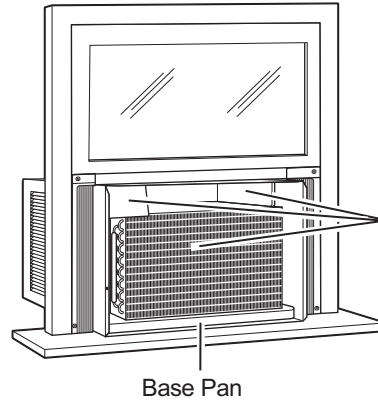
J. Stuff the foam between the glass and the window to prevent air and insects from getting into the room.



NOTE: If the gasket supplied does not fit your window, obtain appropriate material locally to provide a proper installation seal.

6. INSTALL THE AIR CONDITIONER IN THE CASE

A. Slide the air conditioner into the case by the base pan. Do not push on the controls, foam air discharge housing or the finned coils. Make sure the air conditioner is firmly seated.

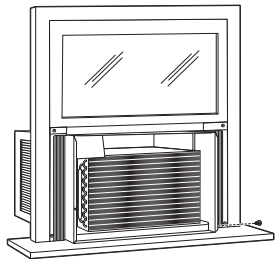


Do not press on these areas—
damage to the unit
may result

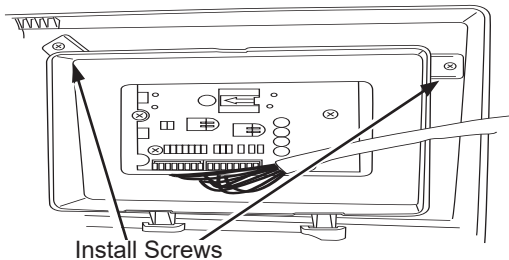
Installation Instructions

6. INSTALL THE AIR CONDITIONER IN THE CASE (continues)

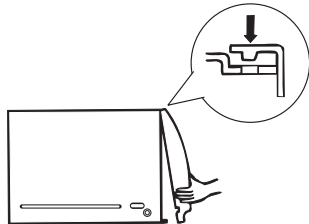
- B.** Replace the 1 screw removed earlier, one on each side of the case.
IMPORTANT: THE GROUND SCREWS MUST BE REINSTALLED TO ENSURE PROPER GROUND.



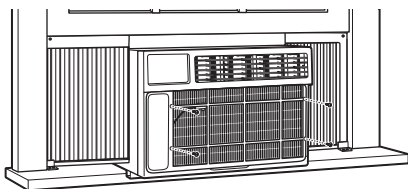
- C.** Reinstall the control to the panel housing by replacing the 2 screws you removed earlier.



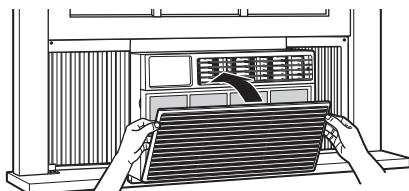
- D.** Attach the front grille to the case by inserting the tabs on the grille into the slots on the front top of the case. Push the grille in.



- E.** Replace the screws.



- F.** Install the filter and the front grille.

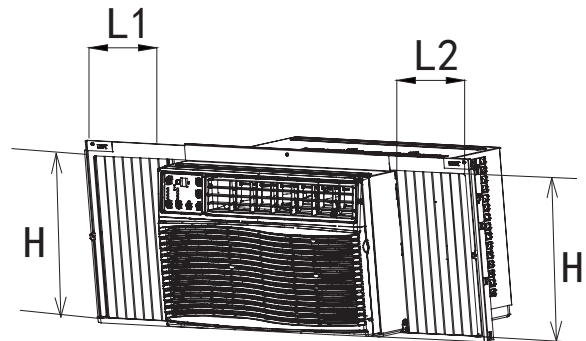


- G.** Plug in the air conditioner.

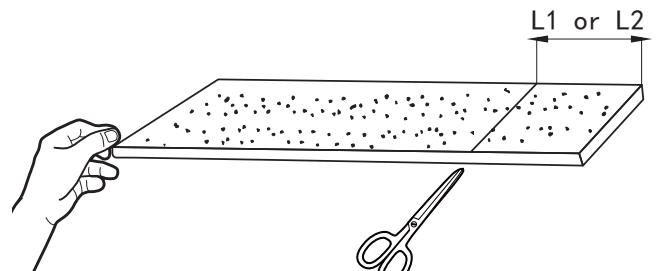
7. INSTALL FOAM INSULATION

Additional insulation is provided with your window air conditioner to reduce heat leakage into the home, reducing overall energy usage.

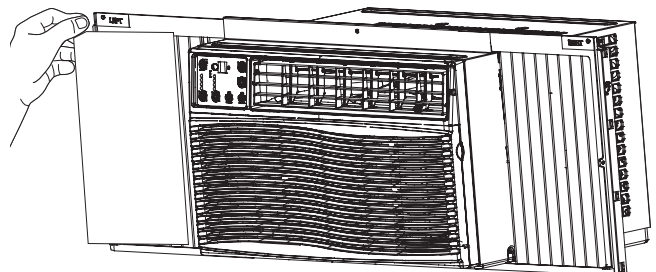
- A.** After the air conditioner is installed in the window measure the length of the accordion for both sides.



- B.** Cut the foam insulation to the measured length of the left and right side accordion. **NOTE:** Be sure to measure each accordion because the length could be different on each side.



- C.** Remove adhesive from back of foam insulation. Stick the foam insulation onto the left and right accordion, and inside of the frames.



NOTE: be careful to cover the entire accordion.

Through-the-Wall Installation Instructions—Optional

The case may be installed through-the-wall in both existing and new construction.

Read completely, then follow step-by-step.

NOTE: Obtain all materials locally for mounting the air conditioner through-the-wall.

1. IMPORTANT

Through-the-wall installation is not appropriate if any of the side or top louvers in the case will be obstructed by the wall.

All side and top louvers in the case must project on the outdoor side of the wall.

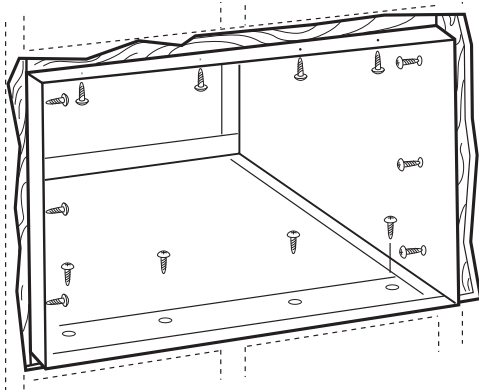
The room side of the case must project into the room far enough to maximize the balance of the unit.

The case must be installed level from side-to-side and with a slight tilt from front to rear. Use a level; no more than a 1/2 bubble will be the correct case slant to the outside.

Lintel angle is required to support bricks or blocks above opening.

Flashing is required and should extend the length of the opening to ensure no inside cavity leakage occurs.

- A. Remove the air conditioner from the case. For specific instruction, refer to the Window Installation Instructions.
- B. Make certain that a wall receptacle is available close to the hole location or make arrangements to install a receptacle.



- C. Place the case in the wall opening and place wood support strips between the case bottom and the flashing on both sides of the bottom rail. They should be the same height as the bottom rail and the same length as the wall opening.

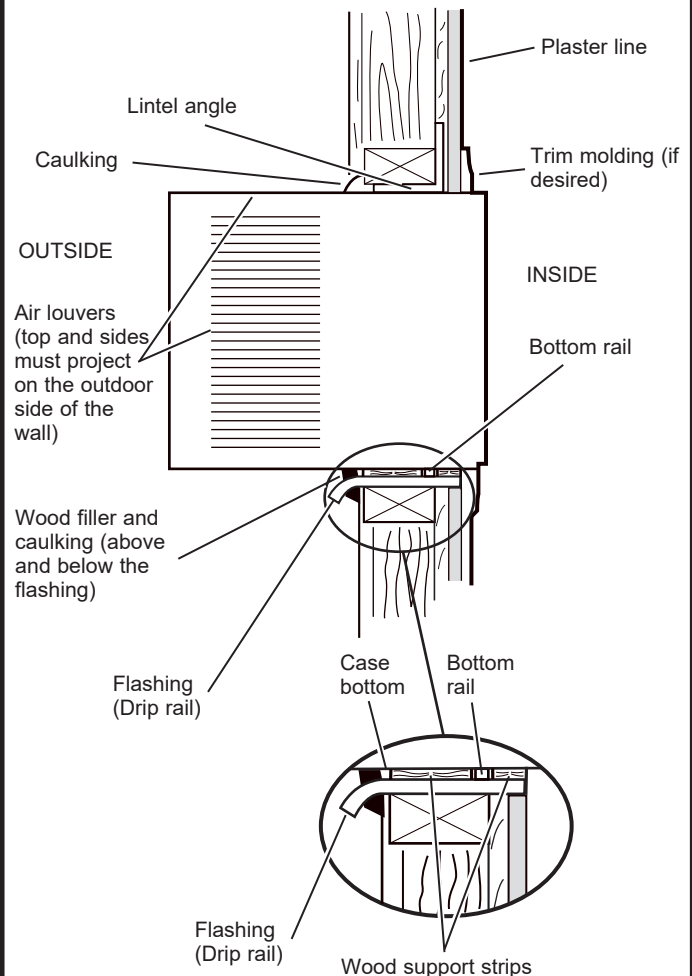
1. IMPORTANT (cont.)

- D. Secure with 14 wood screws anchored at least an inch into the wall support structure.

NOTE: Drill pilot holes, if necessary, for proper installation. If the frame is oversized, use shims to prevent case distortion.

2. FINISH THE WALL OPENING

- A. Caulk all four sides on the outdoor side of the case to prevent moisture from getting through to the interior wall. Use of flashing (drip rail) will further prevent water from dripping inside the wall and down the outside of the building.



- B. Place the air conditioner into the case. For specific instruction, refer to the Window Installation Instructions.

Troubleshooting Tips... Before you call for service

Save time and money! Review the charts on the following pages first and you may not need to call for service.

Problem	Possible Causes	What To Do
Air conditioner does not start	The air conditioner is unplugged.	<ul style="list-style-type: none"> • Make sure the air conditioner plug is pushed completely into the outlet.
	The fuse is blown/circuit breaker is tripped.	<ul style="list-style-type: none"> • Check the house fuse/circuit breaker box and replace the fuse or reset the breaker.
	Power failure.	<ul style="list-style-type: none"> • The unit will automatically restart in the settings last used after the power is restored. • There is a protective time delay (approximately 3 minutes) to prevent tripping of the compressor overload. For this reason, the unit may not start normal cooling for 3 minutes after it is turned back on.
	The current interrupter device is tripped.	<ul style="list-style-type: none"> • Press the RESET button located on the power cord plug. • If the RESET button will not stay engaged, discontinue use of the air conditioner and contact a qualified service technician.
Air conditioner does not cool as it should	Airflow is restricted.	<ul style="list-style-type: none"> • Make sure there are no curtains, blinds or furniture blocking the front of the air conditioner.
	The temp control may not be set correctly.	<ul style="list-style-type: none"> • In the Cool mode, press the Decrease pad.
	The air filter is dirty.	<ul style="list-style-type: none"> • Clean the filter at least every 30 days. See the Care and Cleaning section.
	The room may have been hot.	<ul style="list-style-type: none"> • When the air conditioner is first turned on, you need to allow time for the room to cool down.
	Cold air is escaping.	<ul style="list-style-type: none"> • Check for open furnace registers and cold air returns.
	Cooling coils have iced up.	<ul style="list-style-type: none"> • See "Air conditioner freezing up" below.
Air conditioner freezing up	Ice blocks the air flow and stops the air conditioner from cooling the room.	<ul style="list-style-type: none"> • Set the controls at High Fan or High Cool and set the thermostat to a higher temperature.
The remote control is not working	The batteries are inserted incorrectly.	<ul style="list-style-type: none"> • Check the position of the batteries. They should be inserted in the opposite (+) and (-) direction.
	The batteries may be dead.	<ul style="list-style-type: none"> • Replace the batteries.
Water drips outside	Hot, humid weather.	<ul style="list-style-type: none"> • This is normal.
Water drips indoors	The air conditioner is not tilted to the outside.	<ul style="list-style-type: none"> • For proper water disposal, make sure the air conditioner slants slightly from the case front to the rear.
Water collects in base pan	Moisture removed from air and drains into base pan.	<ul style="list-style-type: none"> • This is normal for a short period in areas with little humidity; normal for a longer period in very humid areas.

Normal Operating Sounds

- You may hear a pinging noise caused by water being picked up and thrown against the condenser on rainy days or when the humidity is high. This design feature helps remove moisture and improve efficiency.
- You may hear the thermostat click when the compressor cycles on and off.
- Water will collect in the base pan during high humidity or on rainy days. The water may overflow and drip from the outdoor side of the unit.
- The fan may run even when the compressor does not.

GE Appliances Air Conditioner - One-Year Limited Warranty

WARRANTY

All warranty service provided by our Factory Service Centers, or an authorized Customer Care® technician. To schedule service, visit us on-line at ge.com, or call 800.GE.CARES (800.432.2737). Have serial number and model number available when calling for service.

For The Period Of:	GE Appliances Will Replace:
One Year From the date of the original purchase	Any part of the air conditioner which fails due to a defect in materials or workmanship. During this limited one-year warranty , GE Appliances will also provide, free of charge , all labor and related service to replace the defective part.

What GE Appliances Will Not Cover:

- Service trips to your home to teach you how to use the product.
- Improper installation, delivery or maintenance. If you have an installation problem, or if the air conditioner is of improper cooling capacity for the intended use, contact your dealer or installer. You are responsible for providing adequate electrical connecting facilities.
- Failure of the product resulting from modifications to the product or due to unreasonable use including failure to provide reasonable and necessary maintenance.
- In commercial locations, labor necessary to move the unit to a location where it is accessible for service by an individual technician.
- Replacement of house fuses or resetting of circuit breakers.
- Failure due to corrosion on models not corrosion-protected.
- Damage to the product caused by improper power supply voltage, accident, fire, floods or acts of God.
- Incidental or consequential damage caused by possible defects with this air conditioner.
- Damage caused after delivery.

EXCLUSION OF IMPLIED WARRANTIES—Your sole and exclusive remedy is product repair as provided in this Limited Warranty. Any implied warranties, including the implied warranties of merchantability or fitness for a particular purpose, are limited to one year or the shortest period allowed by law.

This warranty is extended to the original purchaser and any succeeding owner for products purchased for home use within the USA. If the product is located in an area where service by a GE Appliances Authorized Servicer is not available, you may be responsible for a trip charge or you may be required to bring the product to an Authorized GE Appliances Service location for service. In Alaska, the warranty excludes the cost of shipping or service calls to your home.

Some states do not allow the exclusion or limitation of incidental or consequential damages. This warranty gives you specific legal rights, and you may also have other rights which vary from state to state. To know what your legal rights are, consult your local or state consumer affairs office or your state's Attorney General.

Warrantor: GE Appliances, a Haier company

Staple your receipt here. Proof of the original purchase date is needed to obtain service under the warranty.

Consumer Support

GE Appliances Website

Have a question or need assistance with your appliance? Try the GE Appliances Website 24 hours a day, any day of the year! You can also shop for more great GE Appliances products and take advantage of all our on-line support services designed for your convenience. In the US: GEAppliances.com

Register Your Appliance

Register your new appliance on-line at your convenience! Timely product registration will allow for enhanced communication and prompt service under the terms of your warranty, should the need arise. You may also mail in the pre-printed registration card included in the packing material. In the US: GEAppliances.com/register

Schedule Service

Expert GE Appliances repair service is only one step away from your door. Get on-line and schedule your service at your convenience any day of the year. In the US: GEAppliances.com/ge/service-and-support/service.htm or call 800.432.2737 during normal business hours.

Extended Warranties

Purchase a GE Appliances extended warranty and learn about special discounts that are available while your warranty is still in effect. You can purchase it on-line anytime. GE Appliances Services will still be there after your warranty expires. In the US: GEAppliances.com/ge/service-and-support/shop-for-extended-service-plans.htm or call 800.626.2224 during normal business hours.

Remote Connectivity

For assistance with wireless network connectivity (for models with remote enable), visit our website at GEAppliances.com/ge/connected-appliances/ or call 800.220.6899 in the US.

Parts and Accessories

Individuals qualified to service their own appliances can have parts or accessories sent directly to their homes (VISA, MasterCard and Discover cards are accepted). Order on-line today 24 hours every day. In the US: GEApplianceparts.com or by phone at 877.959.8688 during normal business hours.

Instructions contained in this manual cover procedures to be performed by any user. Other servicing generally should be referred to qualified service personnel. Caution must be exercised, since improper servicing may cause unsafe operation.

Contact Us

If you are not satisfied with the service you receive from GE Appliances, contact us on our Website with all the details including your phone number, or write to:

In the US: General Manager, Customer Relations | GE Appliances, Appliance Park | Louisville, KY 40225
GEAppliances.com/ge/service-and-support/contact.htm



ACONDICIONADORES DE AIRE PARA SALA

INSTRUCCIONES DE SEGURIDAD3

USO DEL ACONDICIONADOR DE AIRE
 Controle.....4

CUIDADO Y LIMPIEZA
 Filtro de aire7
 Bobinas para exteriores7

INSTRUCCIONES DE INSTALACIÓN8

SOLUCIONAR PROBLEMAS... 116
 Sonidos de operación normales16

GARANTÍA17

SERVICIO AL CONSUMIDOR...18

MANUAL DEL PROPIETARIO Y INSTRUCCIONES DE INSTALACIÓN

AHS24

Escriba los números de modelo y serie aquí:

de Modelo _____

de Serie _____

Puede encontrar estos números en una etiqueta en el costado del acondicionador de aire.

GRACIAS POR HACER QUE GE APPLIANCES SEA PARTE DE SU HOGAR.

Ya sea que haya crecido usando GE Appliances, o que ésta es su primera vez, nos complace tenerlo en la familia.

Sentimos orgullo por el nivel de arte, innovación y diseño de cada uno de los electrodomésticos de GE Appliances, y creemos que usted también. Entre otras cosas, el registro de su electrodoméstico asegura que podamos entregarle información importante del producto y detalles de la garantía cuando los necesite.

Registre su electrodoméstico GE ahora a través de Internet. Sitios Web y números telefónicos útiles están disponibles en la sección de Soporte para el Consumidor de este Manual del Propietario.

También puede enviar una carta en la tarjeta de inscripción preimpresa que se incluye con el material embalado.



GE APPLIANCES

INFORMACIÓN IMPORTANTE DE SEGURIDAD LEA TODAS LAS INSTRUCCIONES ANTES DE USAR

⚠ ADVERTENCIA

Para su seguridad, siga las instrucciones de este manual a fin de minimizar riesgos de incendio, descargas eléctricas o heridas personales.

- Use este electrodoméstico sólo para su propósito original, como se describe en el Manual del Propietario.
- Este acondicionador de aire se debe instalar de forma apropiada de acuerdo con las Instrucciones de Instalación antes de ser usado.
- Nunca desenchufe su acondicionador de aire empujando el cable de corriente. Siempre tome su enchufe de manera firme y empuje el mismo hacia afuera del receptáculo.
- Reemplace de inmediato todos los cables del servicio de electricidad pelados o con cualquier tipo de daño. Un cable del servicio de corriente que esté dañado deberá ser reemplazado por uno nuevo provisto por el fabricante, y no deberá ser reparado. No use un cable con cortaduras o abrasión sobre su extensión o en cualquiera de sus enchufes o extremos.
- Coloque la unidad en OFF (Apagado) y desenchufe el acondicionador de aire antes de usar el mismo.
- Para su seguridad... no acumule ni use materiales combustibles, gasolina u otros vapores o líquidos inflamables cerca de éste u otro electrodoméstico.
- Todos los acondicionadores de aire contienen refrigerantes, los cuales de acuerdo con la ley federal se deben quitar antes de deshacerse del producto. Si se deshará de un producto antiguo con refrigerantes, consulte a la compañía a cargo sobre cómo deshacerse del mismo.
- Si el receptáculo no coincide con el enchufe, el cambio del mismo deberá ser realizado por un electricista calificado.
- Estos sistemas de acondicionadores de aire R410A requieren que los contratistas y técnicos utilicen herramientas, equipamiento y estándares de seguridad aprobados para su uso con este refrigerante. NO use equipamiento certificado sólo para refrigerante R22.

⚠ ADVERTENCIA

USO DE PROLONGADORES

RIESGO DE INCENDIO. Podría ocasionar lesiones graves o la muerte.

- NO use un prolongador con este Acondicionador de Aire de Ventana.
- NO use protectores contra picos de corriente ni adaptadores para múltiples tomacorrientes con este Acondicionador de Aire de Ventana.

CÓMO CONECTAR LA ELECTRICIDAD

Nunca, bajo ninguna circunstancia, corte o elimine el tercer cable (tierra) del cable de corriente. Para su seguridad personal, este electrodoméstico debe estar adecuadamente conectado a tierra.

NO use un enchufe adaptador con este electrodoméstico.

El cable de corriente de este electrodoméstico contiene un enchufe de 3 cables (conexión a tierra) que se conecta a un tomacorriente de pared estándar de 3 cables (conexión a tierra) para minimizar la posibilidad de riesgos de descargas eléctricas por parte del mismo.

El cable de corriente incluye un interruptor de corriente. Se brinda un botón de evaluación y reinicio en la caja del enchufe. El dispositivo deberá ser evaluado en forma periódica, presionando primero el botón **TEST** (Evaluar) y luego **RESET** (Reinicio) mientras se encuentre enchufado al tomacorriente. Si el botón **TEST** (Evaluar) no se activa o el botón **RESET** (Reinicio) no permanece en su posición, deje de usar el acondicionador de aire y comuníquese con un técnico calificado del servicio.

Contrate a un electricista calificado para que controle el tomacorriente y el circuito eléctrico para asegurar que el enchufe esté correctamente conectado a tierra.

En caso de contar con un tomacorriente de pared de 2 cables, es su responsabilidad y obligación reemplazarlo por un tomacorriente de pared de 3 cables correctamente conectado a tierra.

El acondicionador de aire debería estar siempre conectado a un enchufe específico con un índice de voltaje equivalente al que figura en su etiqueta de características técnicas.

Esto garantiza el mejor funcionamiento y además previene la sobrecarga de los circuitos del hogar, lo cual podría ocasionar riesgos de incendio debido al recalentamiento de cables.

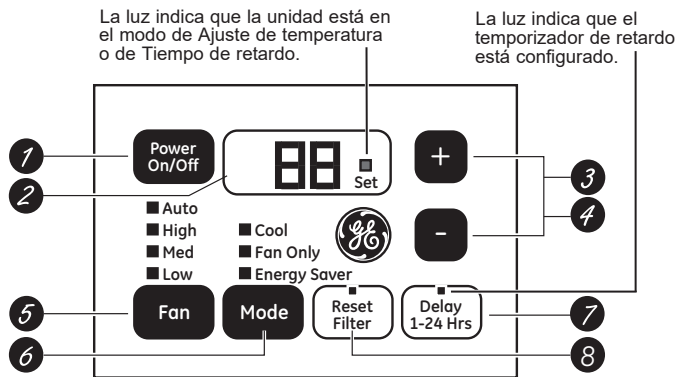
Para conocer los requisitos específicos de la conexión eléctrica, consulte las Instrucciones de Instalación, Requisitos Eléctricos.

Para acceder a información sobre como reciclar sus electrodomésticos, ingrese a www.geappliances.com/recycling.

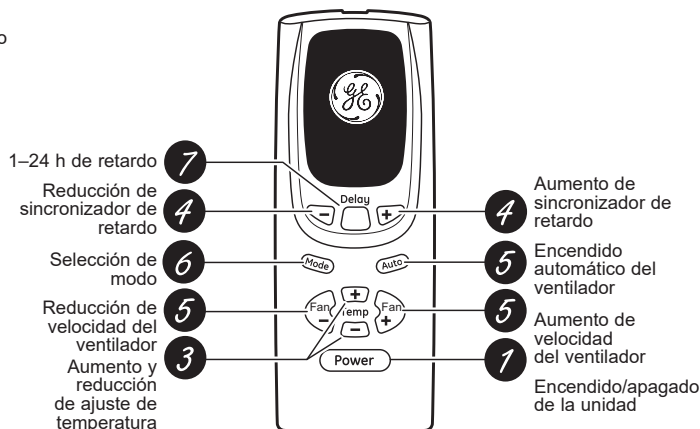
LEA Y GUARDE ESTAS INSTRUCCIONES

Controles

Las luces al lado de las teclas de toque en el panel de control del acondicionador de aire indicarán los ajustes seleccionados. Las funciones y el aspecto pueden variar.



NOTA: La pantalla muestra siempre la temperatura ambiente, excepto al configurar la temperatura Definida o el Sincronizador de retardo.



Controles del acondicionador de aire

Controles (en algunos modelos)

- 1 Tecla de Power (Encendido)**
Apaga y prende el acondicionador de aire. Al encenderse, la pantalla mostrará la temperatura ambiente.
- 2 Pantalla**
Muestra la temperatura ambiente o el tiempo restante en el Sincronizador de retardo. Muestra la temperatura **Definida** al configurar la temperatura en los modos **Cool (Frío)** o de **Energy Saver (Ahorro de energía)**. La luz de **Ajuste** se encenderá durante la configuración.
NOTA: la pantalla cambiará para mostrar la temperatura ambiente una vez que se haya realizado la configuración.
- 3 Teclas de Temp Aumento ▲/Reducción ▼**
Usado para ajustar la temperatura cuando se encuentre en el modo **Cool (Frío)** o **Energy Saver (Ahorro de energía)**. La luz de **Ajuste** se encenderá durante la configuración.
- 4 Teclas de Sincronizador de retardo Aumento ▲(+)/ Reducción ▼(-)**
Cada vez que toque las teclas **Aumento ▲/ Reducción ▼** de la unidad o las teclas **Aumento + / Reducción -** en el control remoto definirá el tiempo de retardo al utilizar el **Delay 1-24hr timer (Sincronizador de retardo 1-24 h)**. La luz de **Ajuste** se encenderá durante la configuración.
- 5 Teclas de Fan Speed (Velocidad del ventilador)**
Usado para ajustar la velocidad del ventilador a **Low (Bajo)**, **Med (Medio)**, **High (Alto)** o **Auto (Automática)** en la unidad. **NOTA:** en el control remoto, utilice las teclas **Aumento + / Reducción -** velocidad de ventilador para ajustar la velocidad del ventilador en **Low (Bajo)**, **Med (Medio)** o **High (Alto)**. Utilice la tecla **Auto** para activar el ventilador automático.
- 6 Tecla de MODO**
Usado para ajustar el acondicionador de aire al modo **Cool (Frío)**, **Energy Saver (Ahorro de energía)** o **Fan Only (Solo ventilador)**.

NOTA: La temperatura por defecto que figura en la pantalla está en grados Fahrenheit (°F). Para modificar la pantalla a grados Celsius (°C), mantenga presionados los botones Temp Increase (Incremento de Temperatura) ▲ Temp Decrease (Disminución de Temperatura) ▼ al mismo tiempo y durante 3 segundos. Repita el proceso para volver a modificar la pantalla a grados Fahrenheit (°F).

Control Remoto

- 7 Teclas de Delay (Retardo)/ Delay 1-24hr (Retardo 1-24h)**
Delay ON (ENCENDIDO Retardo)—Cuando el acondicionador de aire está apagado, puede ajustarse para que se encienda automáticamente dentro de 1 a 24 horas en el modo y configuración de ventilador anterior.
Delay OFF (APAGADO Retardo)—Cuando el acondicionador de aire está encendido, puede ajustarse para que se apague automáticamente dentro de 1 a 24 horas.
Cómo realizar el ajuste:
Pulse la tecla **Delay 1-24hr (Retardo 1-24h)** en la unidad o **Delay pad (Retardo)** del control remoto. Cada toque de las teclas **Aumento ▲ / Reducción ▼** en la unidad o las teclas **Aumento + / Reducción -** en el control remoto definirá el temporizador en intervalos de 1 hora. La luz de **Ajuste** se encenderá durante la configuración.
Para revisar el tiempo restante en el Sincronizador **i retardo 1-24 h**, pulse la tecla de **Delay 1-24hr (Retardo 1-24h)** en la unidad o **Delay pad (Retardo)** en el control remoto. Utilice las teclas **Aumento ▲ / Reducción ▼** en la unidad o las teclas **Aumento + / Reducción -** en el control remoto para definir un nuevo tiempo, si lo desea.
Para cancelar el sincronizador, pulse la tecla **Delay 1-24hr (Retardo 1-24h)** hasta que la luz e dicho control se apague.
- 8 Reinicio del Filtro**
La luz LED se encenderá cuando el ventilador haya acumulado 250 horas de funcionamiento, como recordatorio para la limpieza del filtro. Presione **Reset Filter (Reiniciar el Filtro)** para apagar la luz LED y reiniciar el tiempo de funcionamiento acumulado.

Controles

No use en las condiciones externas debajo el punto de congelación

Este acondicionador de aire no es diseñado para usar en temperaturas externas debajo el punto de congelación. No use en las condiciones externas debajo el punto de congelación.

Control Remoto

- Para garantizar una operación apropiada, oriente el control remoto hacia el receptor de señal del acondicionador de aire.
- Cerciórese de que no haya nada entre el acondicionador de aire y el control remoto que pueda bloquear la señal.
- El receptor de señal tiene un rango máximo de 20 pies.
- Cerciórese de que las baterías sean frescas y se instalen correctamente según se indica en el control remoto.
- El control remoto cuenta con un imán que permite adherirlo a superficies metálicas.

Modo Cool (Frío)

Use el modo **Cool (Frío)** a **Low (Bajo)**, **Med (Medio)**, **High (Alto)** o **Auto Fan Speed (Velocidad de ventilador automática)** para enfriar. Use las teclas de **Temperature (Temperatura) Aumento ▲ (+) / Reducción ▼ (-)** para ajustar a la temperatura deseada entre 64°F y 86°F en incrementos de 1°F.

Se usa un termostato electrónico para mantener la temperatura ambiente. El compresor hará ciclo entre apagado y encendido para mantener la habitación a la temperatura deseada. Ajuste el termostato a un número menor y el aire interno se enfriará más. Si lo ajusta a un número mayor, la temperatura del aire interno se calentará más.

NOTA: si el acondicionador de aire está apagado y se

enciende mientras está configurado en un ajuste **Cool (Frío)** o si se cambia de un ajuste de ventilador a uno de **Cool (Frío)**, puede que pasen aproximadamente unos 3 minutos hasta que el compresor arranque y comience el enfriamiento.

Descripciones de enfriamiento

Para enfriamiento normal—Seleccione el modo **Cool (Frío)** y ventilador **High (Alto)** o **Med (Medio)** con una temperatura de ajuste media.

Para enfriamiento máximo—Seleccione el modo **Cool (Frío)** y ventilador **High (Alto)** con una temperatura de ajuste menor.

Para enfriamiento silencioso y enfriamiento nocturno—Seleccione el modo **Cool (Frío)** y ventilador **Low (Bajo)** con una temperatura de ajuste media.

Energy Saver Mode (Modo de ahorro de energía)

Este modo optimiza el nivel de potencia para enfriar de su acondicionador de aire, permitiéndole ahorrar energía. Una vez alcanzada la temperatura configurada, el ventilador finalizará el ciclo para ahorrar energía. EL ventilador volverá a realizar el ciclo de forma periódica para asegurar que toda la capacidad del sistema para enfriar sea usada. Éste es el modo por defecto de la unidad. Cada vez que la unidad sea apagada, se reiniciará en el modo **Energy Saver (Ahorro de Energía) en ON (Activado)**. Esto incluye el modo **Delay timer (Retraso de tiempo)**. Cuando se encienda la unidad por primera vez, las configuraciones estarán en 70° y el ventilador en **Low (Bajo)**. Podrá ajustar la velocidad del ventilador y la temperatura para su comodidad personal.

Energy Saver ON (Ahorro de Energía Activado)—Ayuda a minimizar el uso de electricidad. Es normal que el ciclo del ventilador quede en Apagado y luego nuevamente en encendido en este modo. Este ciclo de encendido/ apagado se puede repetir múltiples veces. Debido a que el ventilador finalizará su ciclo, es posible que note una variación en la temperatura y humedad del ambiente.

Energy Saver OFF (Ahorro de Energía en Apagado)—Cuando no se haya configurado este modo, el ventilador funcionará de forma continua, y en el modo **Cool (Enfriar)** el compresor iniciará y finalizará su ciclo para mantener la temperatura del ambiente.

Controles

Modo de Fan Only (Solo ventilador)

Use el modo **Fan only (Solo ventilador)** a velocidad **Low (Baja)**, **Med (Media)** o **High (Alta)** para proporcionar circulación de aire y filtración sin enfriamiento. Debido a que los niveles de ventilador únicamente no proporcionan enfriamiento, no se puede introducir una temperatura **Definida**. Aparecerá en pantalla la temperatura ambiente.

NOTA: La Velocidad de ventilador automática no puede utilizarse en el modo **Fan only (Solo ventilador)**.

Velocidad de ventilador automática

Indique la opción en Velocidad de ventilador automática para definir automáticamente la velocidad necesaria para proporcionar una configuración de comodidad óptima con la temperatura elegida.

Si la habitación necesita más enfriamiento, la velocidad del

ventilador aumentará automáticamente. Si la habitación necesita menos enfriamiento, la velocidad del ventilador descenderá automáticamente.

NOTA: La Velocidad de ventilador automática no puede utilizarse en el modo **Fan only (Solo ventilador)**.

Pantalla de Control Encendida y Apagada

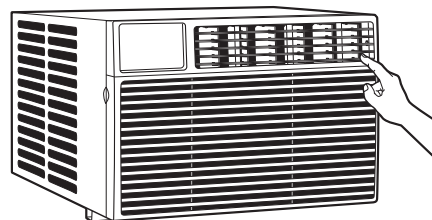
A fin de reducir el brillo durante las horas de sueño, la pantalla de control de este acondicionador de aire cuenta con una función de apagado automático, donde la pantalla de control se apagará completamente luego de 2 minutos de inactividad. Para iluminar la interface del control, presione cualquier botón de la pantalla de control o del control remoto. La pantalla de control iluminará todas las luces LED previamente iluminadas. La interface de control responderá ahora cuando se presione cualquier botón indicado una vez que éste se encuentre iluminado.

Función de recuperación de pérdida de energía

En caso de la pérdida de la energía o interrupción, la unidad reiniciará automáticamente en las funciones de la última vez que fue usado una vez la energía sea restablecida. Si la función del **Delay 1–24hr (Retardo 1–24h)** estaba definido, continuará la cuenta regresiva. Es posible que usted necesite ajustar un tiempo nuevo si así lo desea.

Dirección del aire

Use la palanca para ajustar la dirección del aire hacia la izquierda y la derecha solamente.



Cuidado y Limpieza

Rejilla y caja

Apague el acondicionador de aire y retire el enchufe del tomacorriente de la pared antes de limpiar.

Para limpiar, use agua y un detergente suave. No use cloro o materiales abrasivos.

Filtro de aire

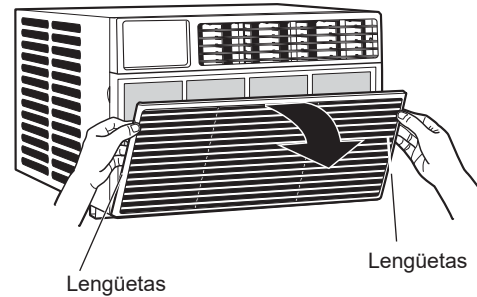
El filtro de aire detrás de la rejilla frontal debe inspeccionarse y limpiarse por lo menos cada 30 días o más a menudo si fuese necesario.

Para retirarlo:

Abra la rejilla de entrada empujando hacia abajo las lengüetas en las esquinas superiores de la rejilla de entrada, hasta que la rejilla se encuentre en una posición de 45°. Retire el filtro.

Limpie el filtro con agua tibia y jabón. Enjuáguelo y permita que se seque antes de colocarlo otra vez en su lugar. No lave el filtro en un lavavajillas.

⚠ PRECAUCIÓN NO OPERE el acondicionador de aire sin el filtro debido a que la suciedad y las pelusas lo obstruirán y reducirán su rendimiento.

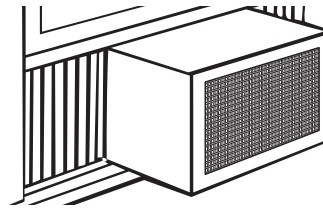


Lengüetas

Lengüetas

Bobinas para exteriores

Se deben inspeccionar con frecuencia las bobinas en el lado exterior del acondicionador de aire. Si las mismas están obstruidas con suciedad u hollín, podrían limpiarse profesionalmente.



Cómo insertar las pilas en el control remoto

1. Retire la cubierta de la pila deslizándola de acuerdo con la dirección de la flecha.
2. Inserte pilas nuevas cerciorándose de que los polos positivos (+) y negativos (-) están orientados correctamente.
3. Coloque la cubierta otra vez deslizándola en su lugar.

NOTAS:

- Use 2 pilas alcalinas "AAA" de 1,5 voltios. No use pilas recargables.
- Retire las pilas del control remoto si no va a usar el sistema por un período prolongado.
- No mezcle baterías nuevas y viejas. No mezcle baterías alcalinas, estándar (carbono-cinc) o recargables (ni-cad, ni-mh, etc).

Instrucciones de instalación

¿Preguntas? Llame 800.GE.CARES (800.432.2737) o visite nuestra página en la red en: GEAppliances.com

ANTES DE INICIAR

Lea estas instrucciones completa y cuidadosamente.

- **IMPORTANTE** — Guarde estas instrucciones para uso del inspector local.
- **IMPORTANTE** — Observe todos los códigos y órdenes de ley.
- **Nota al instalador** – Asegúrese de dejar estas instrucciones con el consumidor.
- **Nota al consumidor** – Conserve estas instrucciones para referencia futura.
- **Nivel de destreza** – La instalación de este aparato requiere de destrezas mecánicas básicas.
- **Tiempo de ejecución** – Aprox. 1 hora
- Recomendamos dos personas para la instalación de este producto.
- La instalación apropiada es la responsabilidad del instalador.
- La falla del producto debido a una instalación inadecuada no está cubierta por la garantía.
- Cuando instale este acondicionador de aire, DEBE usar todas las piezas suministradas y usar procedimientos adecuados de instalación.

Requisitos eléctricos



Algunos modelos requieren tomacorrientes de 115/120 voltios de corriente alterna y 60 Hz conectados a tierra, protegidos con un fusible de dilatación de tiempo de 15 amperios o un cortacircuitos.

El enchufe de tres púas con conexión a tierra minimiza la posibilidad de descargas eléctricas. Si el tomacorriente de la pared que usted planea usar solamente tiene 2 tomas, es su responsabilidad hacer que un técnico lo reemplace por uno de tres tomas con conexión a tierra.



Algunos modelos requieren 230/208 voltios, de corriente alterna, protegidos por un fusible de dilatación de tiempo o un cortacircuitos.



Estos modelos deberían instalarse en un ramal exclusivo del circuito para un rendimiento más notable y para prevenir sobrecargas en los circuitos de cableados de su casa o apartamento, lo cual podría representar un riesgo de incendio por el sobrecalentamiento de los alambres.

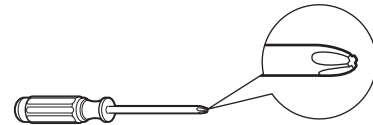
⚠ PRECAUCIÓN

Bajo ninguna circunstancia corte o remueva la tercera púa (conexión a tierra) del cable eléctrico.

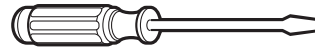
No cambie el enchufe en el cable eléctrico de este acondicionador de aire.

Los cables caseros de aluminio podrían presentar problemas especiales. Consulte a un técnico electricista calificado.

Herramientas que necesitará



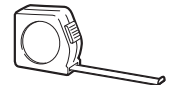
Un destornillador de estrella



Un destornillador con hoja plana



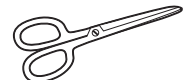
Lápiz



Una regla o cinta métrica



Nivel

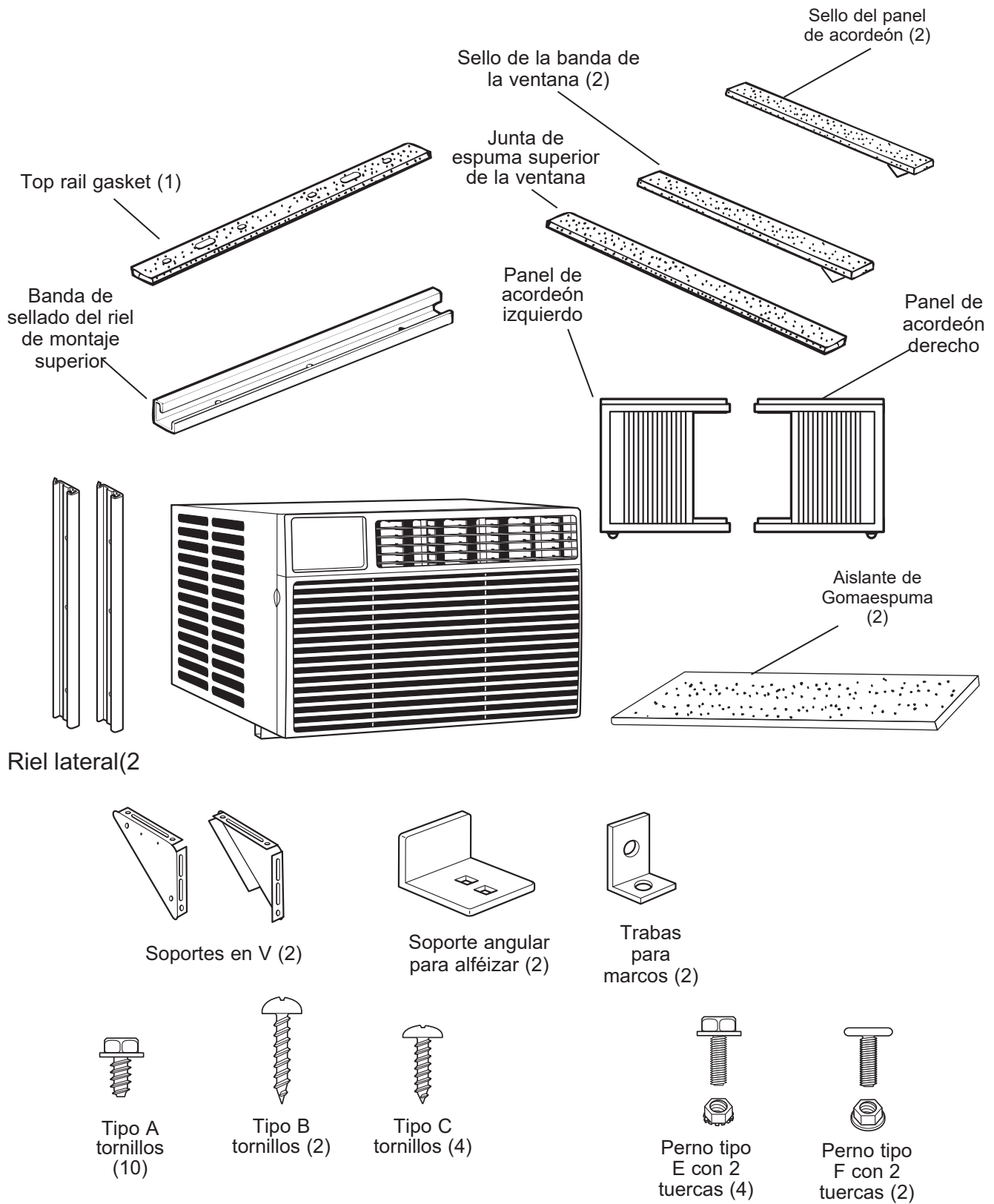


Tijeras o cuchilla

El cable de alimentación incluye un dispositivo para interrupción de corriente. Se incluye un botón de prueba y de reinicio en el dispositivo. El dispositivo debe ponerse a prueba periódicamente: primero se presiona el botón de TEST (prueba) y luego RESET (reinicio) mientras se encuentra enchufado al tomacorriente. Si el botón TEST no se dispara o si el botón RESET no queda enganchado, deje de utilizar el acondicionador de aire y comuníquese con un técnico calificado.

Instrucciones de instalación

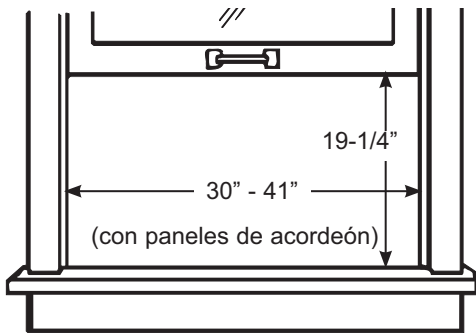
PARTES INCLUIDAS (Apariencia puede variar)



Instrucciones de instalación

1. REQUISITOS PARA LA VENTANA

- Estas instrucciones son para una ventana estándar de dos pliegues. Usted necesitará modificar el proceso para otros tipos de ventanas.
- El acondicionador de aire puede instalarse sin los paneles de acordeón para ajustarse a una ventana más estrecha. Ver las dimensiones de la abertura de la ventana.
- Todas las partes de apoyo deben quedar totalmente aseguradas a algún metal, mampostería o a la madera.
- El tomacorriente eléctrico debe estar al alcance del cable eléctrico del acondicionador de aire.



2. REQUISITOS DE UNA VENTANA DE TORMENTAS

Un marco de ventana de tormentas no permitirá que el acondicionador de aire se incline hacia el exterior y evitará que drene apropiadamente. Para solucionar este problema, adhiera un pedazo de madera a el umbral.

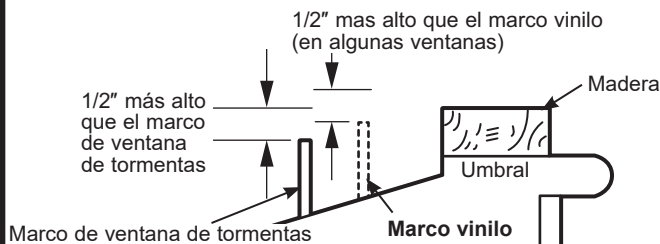
PEDAZOS DE MADERA

ANCHO: 2

LONGITUD: Lo suficientemente largo como para ajustar en el interior del marco de la ventana.

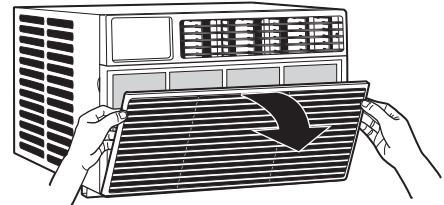
GRUESO: Para determinar el grueso, coloque un pedazo de madera en el umbral para hacerla 1/2" más alta que la parte superior del marco de la ventana de tormentas o del marco vinilo.

Péguelo firmemente con clavos o con tornillos proporcionados por el instalador.

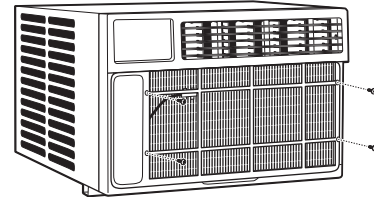


3. PREPARE EL ACONDICIONADOR DE AIRE

- A.** Baje el panel frontal y quite el filtro. Quite el panel frontal levantándolo hacia arriba en un ángulo.

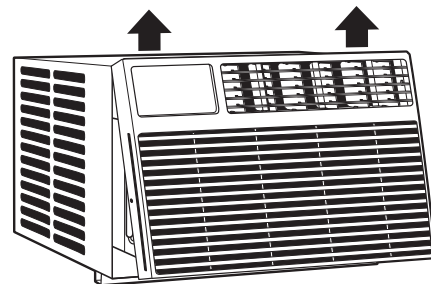


- B.** Quite los cuatro tornillos frontales. Consérvelos para volver a instalar la carcasa frontal.



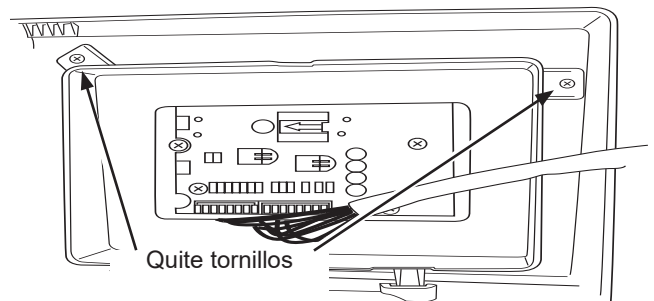
- C.** Tome las esquinas inferiores de la parrilla mientras presiona hacia adentro sobre los costados de la carcasa con sus dedos. Tire hacia afuera para liberar y levántelo.

NOTA: No tire del borde inferior hacia usted más de 3" porque puede dañar las lengüetas de la parrilla.



FRENTE

- D.** Cuando se retire la parrilla del frente, el panel de control aún se encontrará adjunto por un arnés. Gire la parrilla de modo que pueda ver la parte trasera de la misma. Retire los 2 tornillos para separar el espacio del panel de control de la parrilla. NOTA: Asegúrese de guardar estos tornillos. Los necesitará más adelante en la instalación.

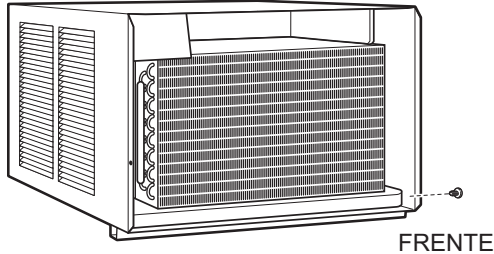


Instrucciones de instalación

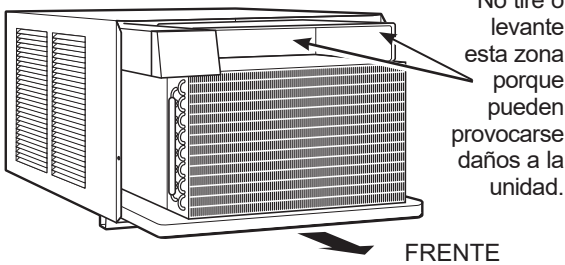
3. PREPARE EL ACONDICIONADOR DE AIRE

E. Quite el tornillo de lado de la carcasa. Consérvelo en una ubicación segura.

NOTA: Asegúrese de guardar este tornillo. Lo necesitará más adelante en la instalación.

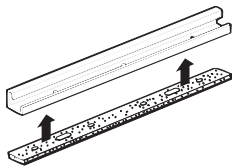


F. Quite y conserve el tornillo de cable a tierra. Deslice el acondicionador de aire de la carcasa tomando la manija de la bandeja inferior y tirando hacia adelante mientras se sujeta la carcasa. No tire o levante el área de descarga de poliestireno

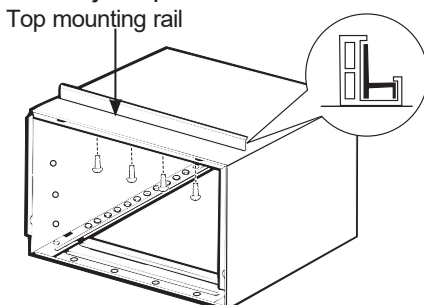


4. PREPARE LA CARCASA

A. Sujete la junta del riel superior a la parte inferior del riel superior.

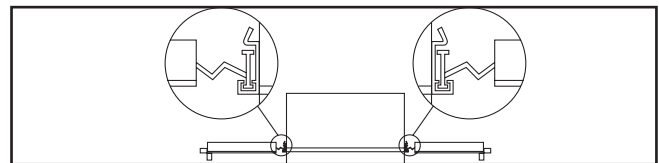
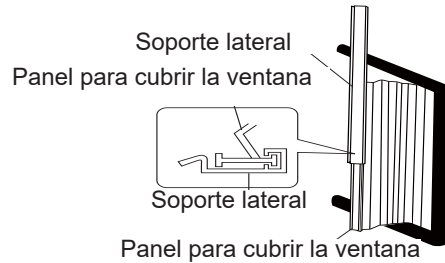


B. Instale el riel de montaje superior con 4 tornillos tipo A desde la parte interior de la carcasa. Presione firmemente para introducir los tornillos dentro de la junta y a través del riel de montaje superior.

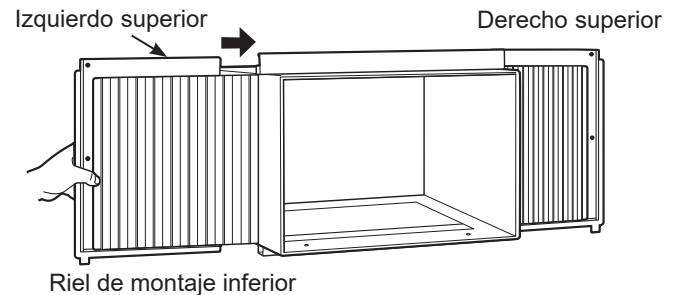


4. PREPARE LA CARCASA

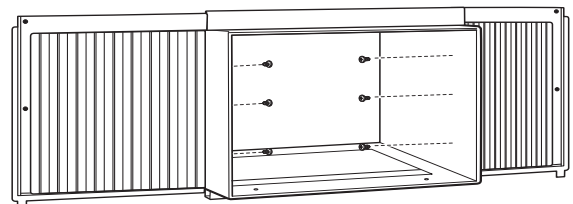
C. Deslice cada soporte por el extremo de cada panel correspondiente. La figura muestra la orientación de cada panel de acordeón y junta de soporte lateral relativos a la caja desde una vista superior de la unidad.



D. Deslice los paneles de acordeón de izquierda a derecha sobre los rieles de montaje superior e inferior.



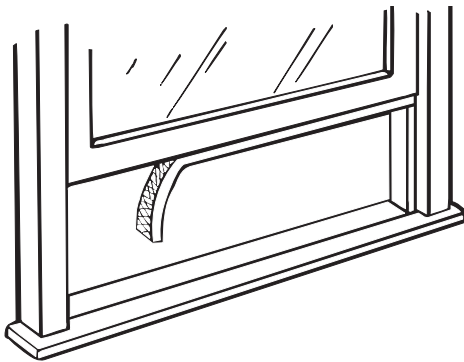
E. Adjunte los soportes laterales a la caja usando 6 tornillos tipo A.



Instrucciones de instalación

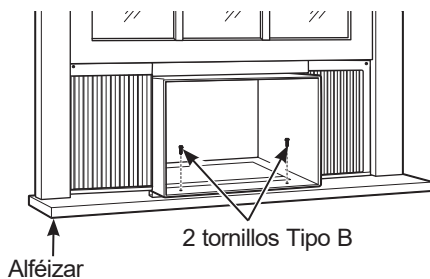
5. PREPARE LA VENTANA E INSTALE LA CAJA

A. Corte el sellador de la ventana (2 bandas largas) en la longitud apropiada. Pele la parte trasera y añada el sellador al lado inferior del marco de la ventana.



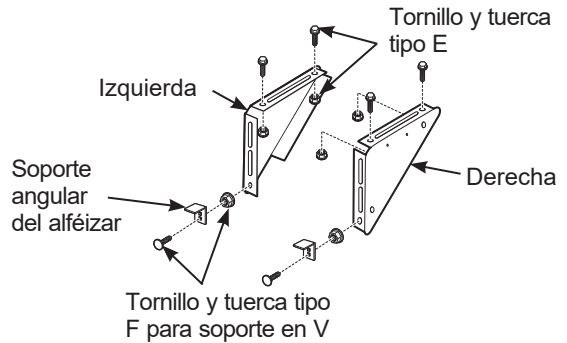
B. Abra la ventana y marque el centro del alféizar de la ventana.

C. Con cuidado, deslice la carcasa dentro de la ventana y céntrala. Baje la ventana detrás del riel de montaje superior. Tire de la parte inferior de la carcasa hacia adelante para que el riel de montaje inferior quede firme contra la parte trasera del alféizar de la ventana. Instale la carcasa en el alféizar de la ventana utilizando 2 tornillos tipo B para un marco de madera o dos tornillos tipo C con soporte para bloqueo de ventana para otros tipos de ventanas. Perfore orificios piloto, si fuera necesario.

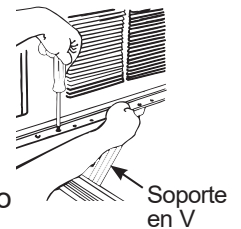


5. PREPARE LA VENTANA E INSTALE LA CAJA

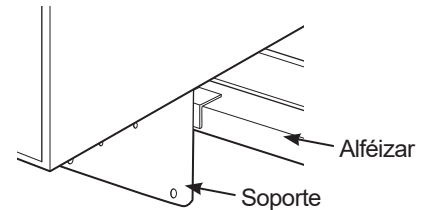
D. Enlace el soporte en V y la ficha del soporte en V con una tuerca y un tornillo Tipo F.



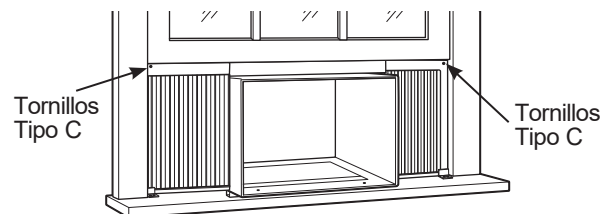
E. Coloque los soportes en V en la base de la carcasa para que estén cerca de la pared exterior. Sujete el soporte en V a cada lado de la parte inferior de la carcasa con pernos tipo F, 2 para cada soporte.



F. Ajuste los soportes angulares del alféizar de modo que descansen sobre el alféizar.



G. Extienda los paneles en acordeón izquierdo y derecho hacia los marcos verticales de la ventana. Perfore orificios piloto y sujete las esquinas superiores e inferiores con 2 tornillos tipo C.



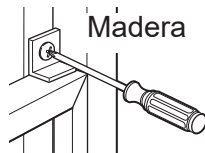
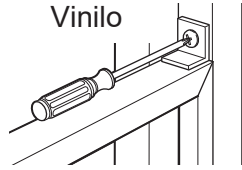
5. PREPARE LA VENTANA E INSTALE LA CAJA

H. **PRECAUCIÓN**:

En ventanas construidas de vinilo o de similar construcción, conecte el soporte de cierre de la ventana a el marco de la ventana para prevenir daño a la ventana y vidrio quebrado.

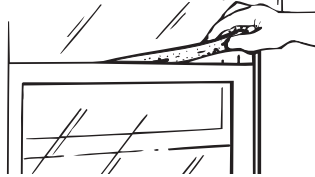
Conecte el soporte de cierre de la ventana con uno tornillo tipo C.

Esta unidad cuenta con dos fichas para bloqueo de ventana



I. Corte la junta de espuma superior de la ventana al ancho de la ventana.

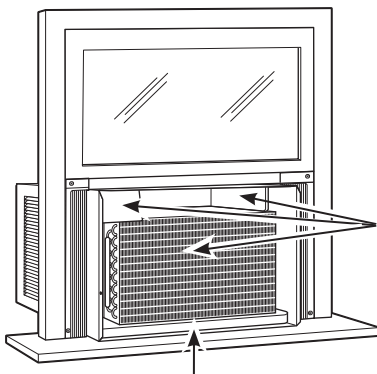
J. Rellene la espuma entre el vidrio y la ventana para evitar que aire e insectos se introduzcan en la habitación.



NOTA: Si la junta provista no es adecuada para su ventana, obtenga el material apropiado localmente para realizar una adecuada instalación de sellado.

6. INSTALE EL ACONDICIONADOR EN LA CARCASA

A. Deslice el acondicionador de aire dentro de la carcasa de la bandeja inferior. No haga presión sobre los controles, carcasa de poliestireno de la descarga de aire o las serpentinas de aletas. Verifique que el acondicionador de aire se encuentre firmemente asentado.

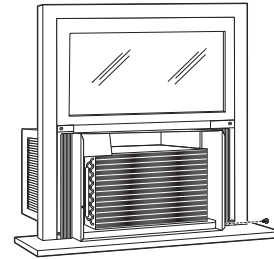


Bandeja inferior

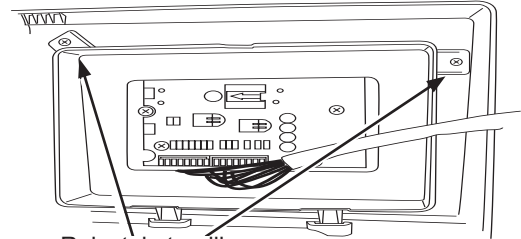
No presione en estas áreas porque puede dañarse la unidad.

6. INSTALE EL ACONDICIONADOR EN LA CARCASA

B. Vuelva a instalar lo tornillo quitados antes, en lado de la carcasa. **IMPORTANTE: LO TORNILLO DE CONEXIÓN A TIERRA DEBERÁN SER REINSTALADOS PARA ASEGURAR UNA CONEXIÓN A TIERRA ADECUADA.**

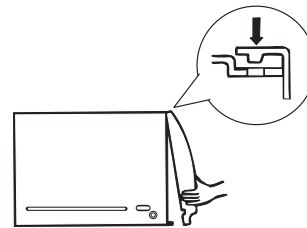


C. Reinstale el control en el espacio del panel reemplazando los 2 tornillos que retiró previamente.

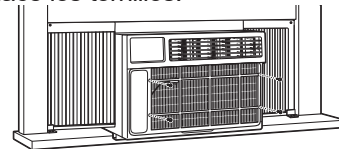


Reinstale tornillos

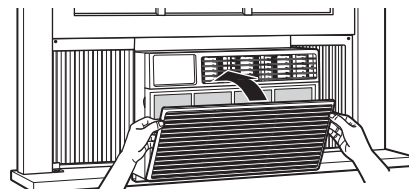
D. Sujete la parrilla frontal a la carcasa introduciendo las lengüetas de la parrilla dentro de las ranuras de la parte superior frontal de la carcasa. Presione la parrilla hacia adentro.



E. Reemplace los tornillos.



F. Instale el filtro y la rejilla frontal.



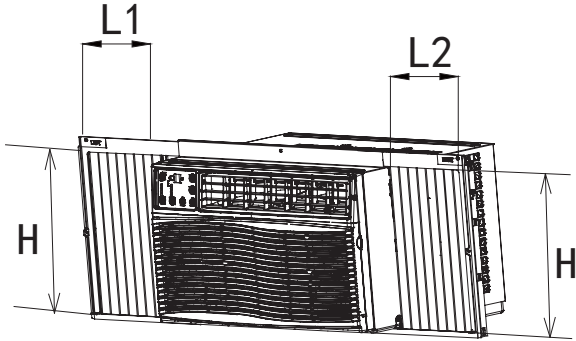
G. Enchufe el acondicionador de aire.

Instrucciones de instalación

7. INSTALE EL AISLANTE DE GOMAESPUMA

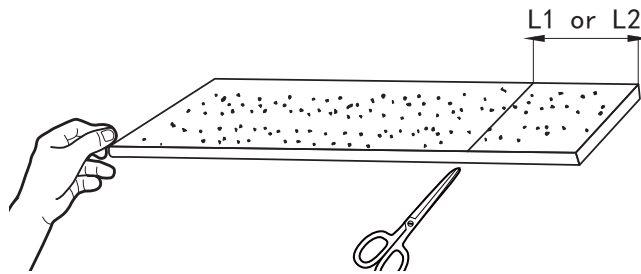
Aislante adicional es provisto con su acondicionador de aire de ventana a fin de reducir las fugas de calor dentro de la casa, reduciendo el uso de corriente total.

- A.** Una vez instalado el acondicionador de aire de ventana, mida la longitud del acordeón de ambos lados.



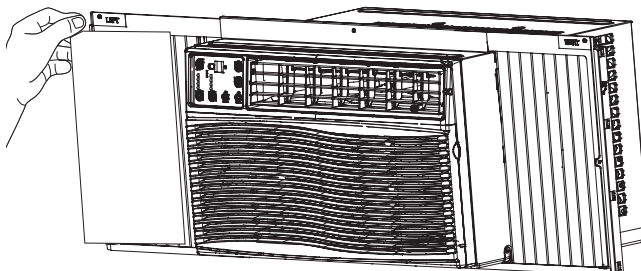
- B.** Corte el aislante de gomaespuma en la longitud medida del lado izquierdo y derecho del acordeón.

NOTA: Asegúrese de medir cada acordeón, ya que la longitud puede ser diferente en cada lado.



- C.** Retire el adhesivo de la parte trasera del aislante de gomaespuma. Adhiera el aislante de gomaespuma en el acordeón derecho e izquierdo, y dentro de los marcos.

NOTA: Tenga el cuidado de cubrir el acordeón completamente.



Instrucciones de Instalación a Través de la Pared—Opcional

La carcasa puede instalarse a través de la pared en construcciones existentes y nuevas.

Lea por completo y luego siga todos los pasos.

NOTA: Con excepción de los montajes de soportes en V (incluidos), obtenga todos los materiales en forma local para montar el acondicionador de aire a través de la pared.

1. IMPORTANTE

La instalación a través de la pared no es apropiada si alguna de las persianas laterales o superiores de la carcasa quedarán obstruidas por la pared.

Todas las persianas laterales y superiores de la carcasa deben proyectarse sobre la pared exterior de la pared.

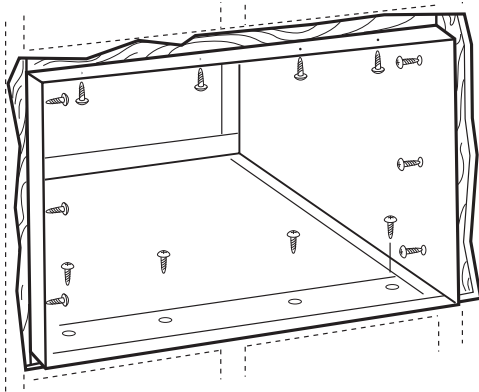
El lado interior de la carcasa debe proyectarse dentro de la habitación lo suficiente para potenciar al máximo el equilibrio de la unidad.

La carcasa debe estar instalada de lado a lado y con una pequeña inclinación del frente hacia la parte trasera. Utilice un nivel; la inclinación correcta de la carcasa hacia el exterior no deberá ser de más de 1/2 burbuja.

Se requiere un ángulo de dintel para sostener ladrillos o bloques sobre la abertura.

Se requiere un revestimiento de aislación que debe extenderse por la longitud de la abertura para asegurar que no haya pérdidas en las cavidades internas.

- A.** Quite el acondicionador de aire de la caja. Para instrucciones específicas, consulte las Instrucciones de instalación en una ventana.
- B.** Asegúrese de que haya un tomacorriente cerca de la ubicación del orificio o efectúe arreglos para instalar un tomacorriente.



- C.** Coloque la carcasa en la abertura de la pared y coloque guías de soporte de madera entre la parte inferior de la carcasa y el revestimiento de aislación sobre ambos lados del riel inferior. Deben ser de la misma altura del riel inferior y de la misma longitud de la abertura de la pared.

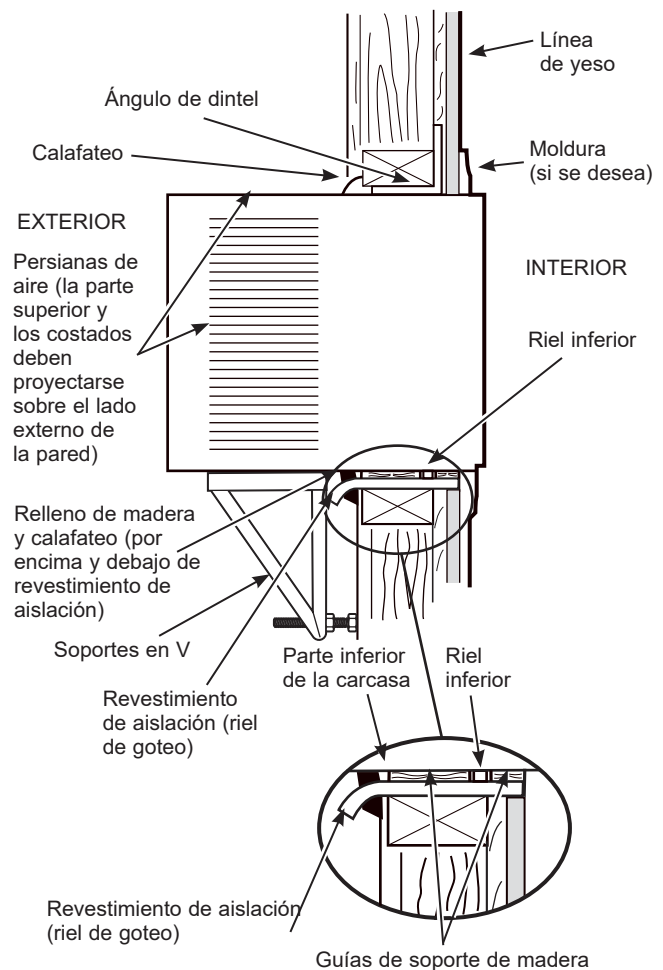
1. IMPORTANTE (cont.)

- D.** Fije con 14 tornillos para madera sujetos por lo menos una pulgada dentro de la estructura de soporte de la pared.

NOTA: Perfore orificios piloto, si fuera necesario, para una instalación adecuada. Si el armazón es más grande, utilice cuñas para prevenir la deformación de la carcasa.

2. TERMINE LA ABERTURA DE LA PARED

- A.** Utilice calafateo en los cuatro costados del lado exterior de la carcasa para que no ingrese humedad a la parte interna. El uso de revestimiento de aislación (riel de goteo) evitará aún más el ingreso de agua dentro de la pared y en la parte exterior del edificio.



- B.** Coloque el acondicionador de aire dentro de la carcasa. Para instrucciones específicas, consulte las Instrucciones de instalación en una ventana.

Solucionar problemas

Problema	Causas posibles	Qué hacer
El acondicionador de aire no enciende	El acondicionador de aire está desconectado.	Cerchiórese de que el acondicionador de aire está enchufado totalmente en el tomacorriente.
	El fusible se disparó / el cortacircuitos se disparó.	Inspeccione los fusibles / caja de interruptores de la casa y reemplace cualquier fusible o reajuste el interruptor.
	Interrupción en el suministro eléctrico.	La unidad se reiniciará automáticamente con la configuración utilizada por última vez luego de reestablecer la electricidad. Existe un retraso de tiempo por protección (de aproximadamente 3 minutos) para evitar la desconexión por sobrecarga del compresor. Por esta razón, es posible que la unidad no comience a enfriar de forma normal hasta transcurridos 3 minutos desde que volvió a encenderse.
	El dispositivo de interrupción de corriente se ha activado.	Presione el botón RESET ubicado en el cable de alimentación. Si el botón RESET no se mantiene en su lugar, no utilice más el acondicionador de aire y comuníquese con un técnico calificado.
El acondicionador de aire no enfría como debería	El flujo de aire está restringido.	Cerchiórese de que no existe ninguna cortina, persiana o mueble bloqueando el frente del acondicionador de aire.
	El control de temperatura no está ajustado apropiadamente.	En los modelos con teclado: En el modo Cool (Frío) , presione la tecla Reducción - .
		En los modelos con botones, gire la temperatura a un número mayor.
	El filtro de aire está sucio.	Limpie el filtro cada 30 días por lo menos. Ver la sección de <i>Cuidado y limpieza</i> .
	La habitación podría haber estado caliente.	Cuando el acondicionador de aire se enciende, usted necesita darle tiempo para que enfríe la habitación.
	El aire frío se está escapando.	Cerchiórese de que los registros de la calefacción no están abiertos y se encuentran retornando el aire frío.
Las bobinas de enfriamiento se congelaron.	Ver " Acondicionador de aire congelándose " más adelante.	
El acondicionador de aire se está congelando	El hielo bloquea el flujo de aire hacia el acondicionador de aire evitando que se enfríe la habitación.	En modelos con los botones de control, coloque el control de modo en High Fan (Ventilador Alto) ó High Cool (Frío Alto) con la temperatura en 1 ó 2 .
		En los modelos con teclas de toque, colo que los controles en High Fan (Ventilador Alto) ó High Cool (Frío Alto) y ajuste el termostato una temperatura más alta.
El control remoto no funciona	Las baterías están insertadas incorrectamente.	Inspeccione la posición de las baterías. Deben estar insertadas en la posición indicada, (+) y (-).
	Las baterías están agotadas.	Reemplace las baterías.
Hay agua goteando afuera	Tiempo húmedo y caliente.	Esto es normal.
Hay agua goteando en el interior de la habitación	El acondicionador de aire no está inclinado hacia afuera.	Para drenar el agua apropiadamente, cerchiórese de que el acondicionador de aire está inclinado ligeramente desde el frente hacia atrás.
Se acumula agua en la bandeja	La humedad removida del aire y se drena hasta la bandeja.	Esto es normal por un corto período en áreas con poca humedad; normal por un período de tiempo más postergado en áreas más húmedas.

Sonidos de operación normales

- Quizás escuche un sonido metálico causado por el agua tomada y tirada contra el condensador en los días lluviosos o cuando la humedad es alta. Esta característica de diseño ayuda a remover la humedad y mejora la eficiencia.
- Quizás escuche que el termostato hace clic cuando el compresor hace ciclo entre encendido y apagado.
- El agua se acumula en la bandeja durante días lluviosos o con mucha humedad. El agua podría derramarse y gotear desde el lado externo de la unidad.
- El ventilador podría funcionar aun si el compresor no lo hace.

Garantía de su acondicionador de aire—garantía limitada de un año

Todos los servicios de garantía los proporcionan nuestros Centros de Reparación de Fábrica o nuestros técnicos Customer Care® autorizados. Para concertar una cita de reparación, en línea, 24 horas al día, visítenos al ge.com, o llame al 800.GE.CARES (800.432.2737). Cuando llame para solicitar servicio, por favor tenga a mano el número de serie y el número de modelo.

Por el período de:	GE Appliances reemplazará:
Un año A partir de la fecha de la compra original	Cualquier parte del acondicionador de aire que falle debido a defectos en los materiales o en la fabricación. Durante esta garantía limitada de un año , GE también proporcionará, sin costo alguno , toda la mano de obra y el servicio relacionado—para reemplazar partes defectuosas.

Lo que no está cubierto:

- Viajes de servicio a su casa para mostrarle cómo funciona el equipo.
- Instalación o entrega inapropiada, o mantenimiento impropio. Si usted tiene un problema durante la instalación, o si su acondicionador de aire no tiene la capacidad de enfriamiento que usted necesita, póngase en contacto con nuestro distribuidor o instalador. Usted es responsable de proporcionar las facilidades de conexión eléctrica necesarias.
- Fallo del producto resultante de modificaciones al producto o debido a uso irrazonable incluyendo no proporcionar mantenimiento razonable y necesario.
- En locales comerciales, la mano de obra necesaria para retirar la unidad hacia un lugar para revisión por parte de un técnico individual.
- Reemplazo de fusibles de la casa o reajuste del sistema de circuitos.
- Fallos debido a la corrosión en modelos que no están protegidos contra la corrosión.
- Daño al producto causado por voltaje inapropiado hacia el equipo, accidentes, incendios, inundaciones o actos de la naturaleza de fuerza mayor.
- Daños incidentales o consecuenciales causados por defectos posibles con este acondicionador de aire.
- Daños después de la entrega.

EXCLUSIÓN DE GARANTÍAS IMPLÍCITAS—Su único y exclusivo derecho es la reparación del producto, tal y como se indica en esta Garantía limitada. Cualquier garantía implícita, incluyendo las garantías implícitas de comerciabilidad o adecuación para un fin determinado, están limitadas a un año o el período de tiempo más breve permitido por la ley.

Esta garantía se extiende al comprador original y cualquier comprador posterior de productos comprados para uso residencial dentro de Estados Unidos. Si el producto está situado en un área que no dispone de servicio por parte de un proveedor de servicio autorizado de GE Appliances, podría tener que hacerse cargo de los costes de envío o bien podría solicitársele que lleve el producto a una centro de servicio de GE Appliances autorizado para realizar la reparación. En Alaska, la garantía excluye el costo de envío o las visitas de servicio a su casa.

Algunos estados no permiten la exclusión o las limitaciones de daños incidentales o consecuenciales. Esta garantía da derechos legales específicos, y usted podría tener otros derechos que variarán de estado a estado. Para saber cuáles son sus derechos legales, consulte a la oficina de asuntos del consumidor local o la oficina del Attorney General en su localidad.

Garante: GE Appliances, a Haier company

Abroche su pedido aquí. Para acceder al servicio técnico de acuerdo con la garantía deberá contar con la prueba de la fecha original de compra.

Soporte al Cliente

GE Appliances Sitio Web

¿Desea realizar una consulta o necesita ayuda con su electrodoméstico? ¡Intente a través del Sitio Web de Electrodomésticos de GE Appliances las 24 horas del día, cualquier día del año! Usted también puede comprar más grandiosos productos de GE Appliances y sacar ventaja de todos nuestros servicios a través de Internet diseñados para su conveniencia. En EE.UU.: GEAppliances.com

Registre su Electrodoméstico

¡Registre su electrodoméstico nuevo a través de Internet, según su conveniencia! Un registro puntual de su producto permitirá una mejor comunicación y un servicio más puntual de acuerdo con los términos de su garantía, en caso de surgir la necesidad. También puede enviar una carta en la tarjeta de inscripción pre-impresa que se incluye con el material embalado. En EE.UU.: GEAppliances.com/register

Servicio Programado

El servicio de reparación de expertos de GE Appliances está a sólo un paso de su puerta. ¡Conéctese a través de Internet y programe su servicio a su conveniencia cualquier día del año! En EE.UU.: GEAppliances.com/ge/service-and-support/service.htm o llame al 800.432.2737 durante el horario comercial habitual.

Garantías Extendidas

Adquiera una garantía extendida de GE Appliances y aprenda sobre descuentos especiales que están disponibles mientras su garantía aún está vigente. La puede adquirir en cualquier momento a través de Internet. Los Servicios de GE Appliances aún estarán allí cuando su garantía caduque. En EE.UU.: GEAppliances.com/ge/service-and-support/shop-for-extended-service-plans.htm o llame al 800.626.2224 durante el horario comercial habitual.

Conectividad Remota

Para solicitar asistencia con la conectividad de red inalámbrica (para modelos con activación remota), visite nuestro sitio Web en GEAppliances.com/ge/connected-appliances/ o llame al 800.220.6899 en EE.UU.

Piezas y Accesorios

Individuos calificados para realizar el servicio técnico de sus propios electrodomésticos podrán solicitar el envío de piezas o accesorios directamente a sus hogares (se aceptan las tarjetas VISA, MasterCard y Discover). Ordene a través de Internet hoy durante las 24 horas del día. En EE.UU.: GEApplianceparts.com o por teléfono al 877.959.8688 durante el horario comercial habitual.

Las instrucciones que figuran en este manual cubren los procedimientos que serán realizados por cualquier usuario. Otros servicios técnicos generalmente deberían ser derivados a personal calificado del servicio. Se deberá tener cuidado, ya que una reparación indebida podrá ocasionar que el funcionamiento no sea seguro.

Contáctenos

Si no se encuentra satisfecho con el servicio que recibió de GE Appliances, comuníquese con nosotros a través de nuestro sitio Web con todos los detalles, incluyendo su número telefónico, o escriba a:

En EE.UU.: General Manager, Customer Relations | GE Appliances, Appliance Park | Louisville, KY 40225 GEAppliances.com/ge/service-and-support/contact.htm