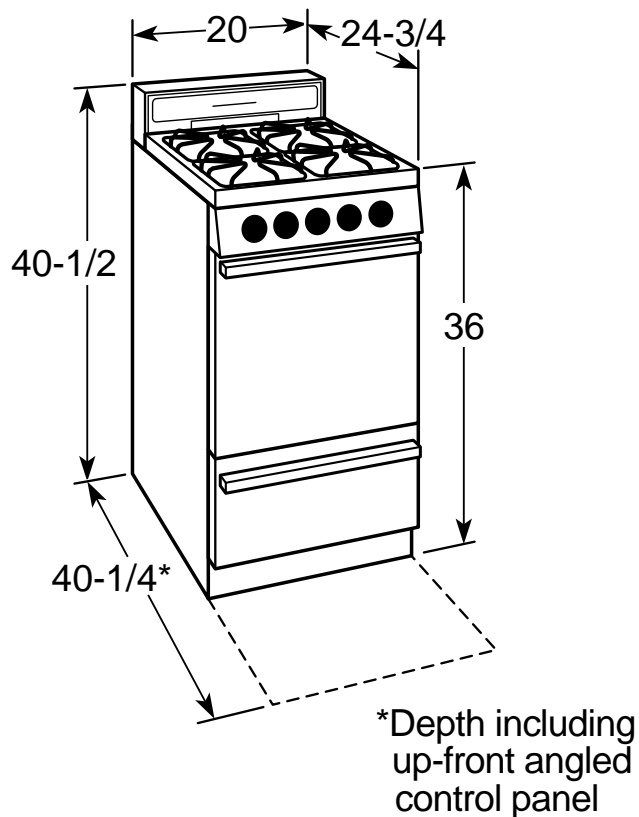


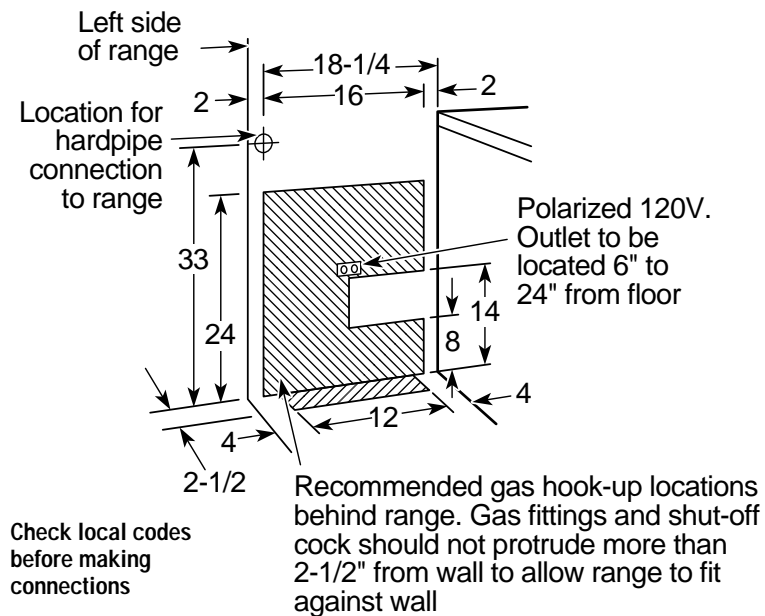
HOTPOINT

RGA520PW—20" Compact Gas Range

Dimensions (in inches)



Installation Information (in inches)



Electrical Rating: 120V, 60Hz, 5A

Installation Information: Before installing, consult installation instructions packed with product for current dimensional data.

For answers to your GE Monogram™, GE Profile™, GE, Hotpoint and RCA appliance questions, call GE Answer Center® service, 800.626.2000.

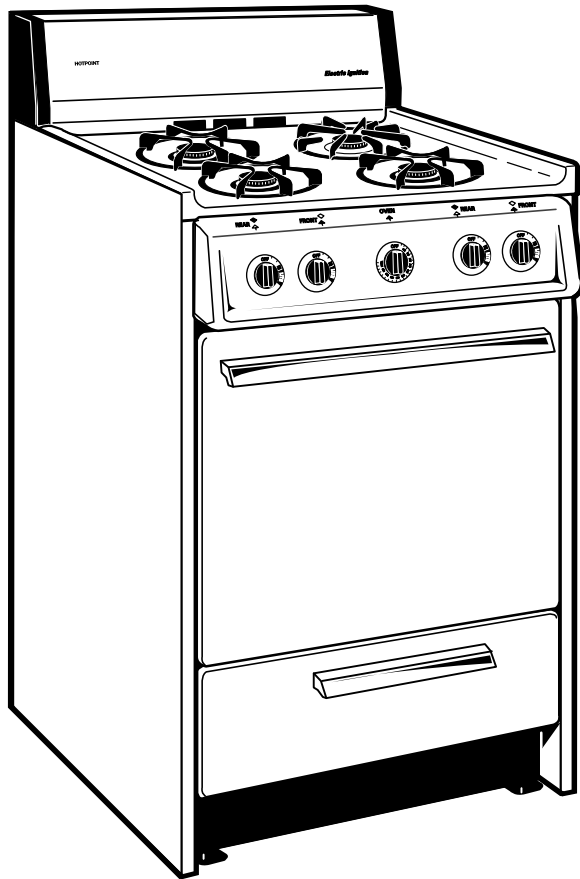


All GE ranges are equipped with an Anti-Tip device. The installation of this device is an important, required step in the installation of the range.



HOTPOINT

RGA520PW—20" Compact Gas Range



Features and Benefits

- Available In White and Almond
- Recessed Lift-Up Cooktop
- 4 Standard Burners
- Round Porcelain on Steel Burner Grates
- Electronic Ignition System
- Standard Clean Oven
- Push-To-Turn Controls
- Separate Broiler Drawer (With Tip-Down Door)
- Porcelain-Enameled Broiler Pan With Grid
- 2 Oven Shelves
- Porcelain-Enameled Subtop
- Solid Color-Matched Porcelain-Enameled Oven Door
- Also Available With Electronic Ignition as Model RGA520EW