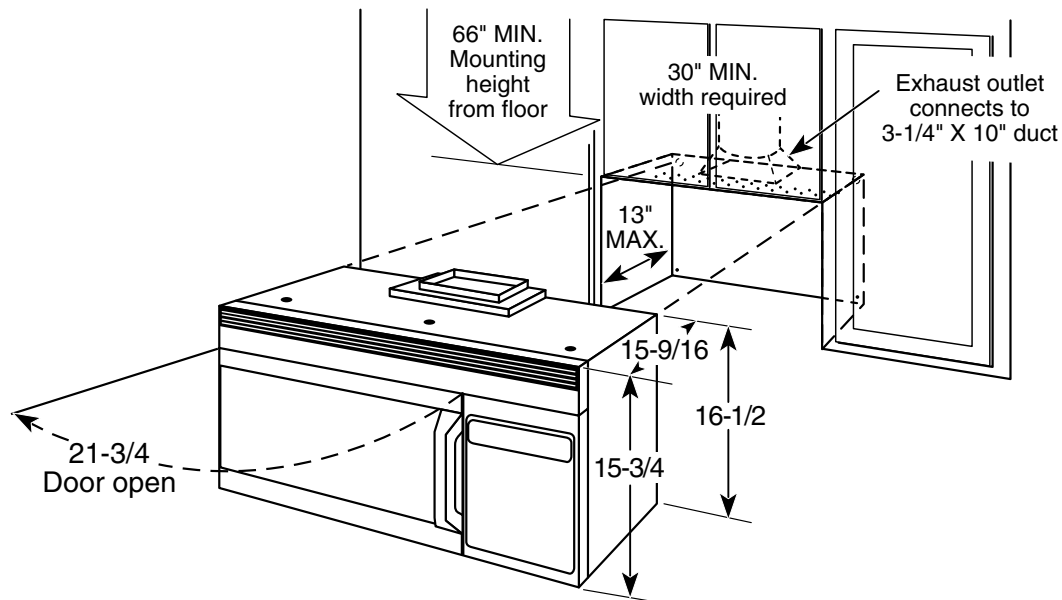


HOTPOINT®

RVM1435BK/WK – Hotpoint® 1.4 Cu. Ft. Over-the-Range Microwave Oven

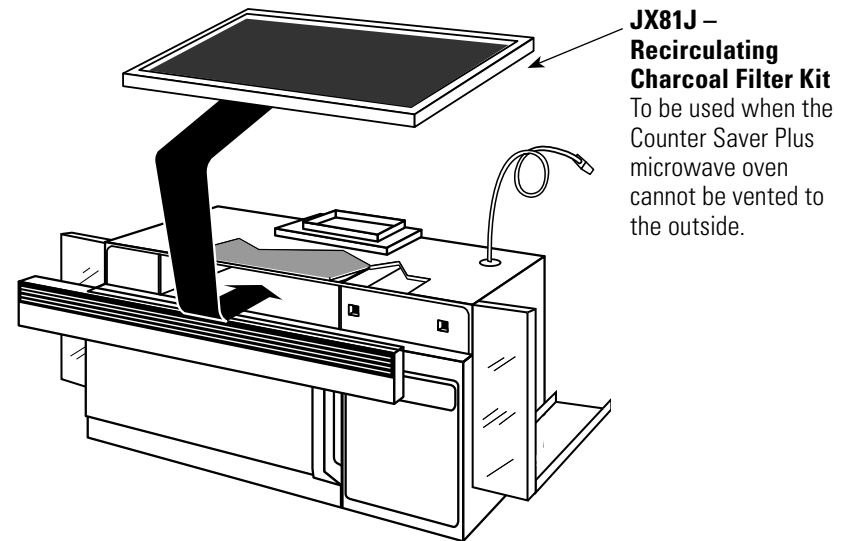
Dimensions (in inches)



Important Information: When installing the microwave oven over a range, allow minimum of 2" from bottom of Counter Saver Plus microwave oven to top of range backguard to allow for removal of light covers.

Installation Information: This information is not intended to be used for installing unit described. Before installing, consult installation instructions packed with product/kit for current dimensional data.

Optional Accessories (Available at additional cost)



Ventilation Options: The microwave oven is designed for adaptation for the following three types of ventilation:

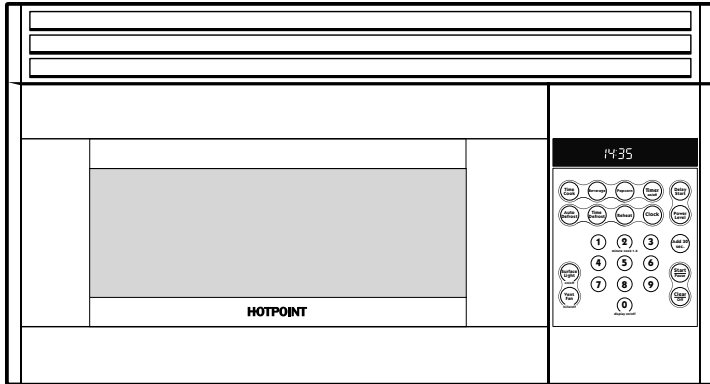
Outside Exhaust (Vertical – Delivered from factory in vertical position)

Outside Exhaust (Horizontal)

Recirculating (Non-vented ductless)

HOTPOINT®

RVM1435BK/WK – Hotpoint® 1.4 Cu. Ft. Over-the-Range Microwave Oven



Features and Benefits

- 1.4 cu. ft. capacity - 950 Watts (IEC-705 test procedure)
- Turntable - Continually rotates food to ensure even cooking
- Instant On Controls - Allow quick, one-touch cooking and reheating
- Auto and Time Defrost - Automatically defrosts for a specified amount of time
- Time Cook I & II - Makes it possible to enter two cooking times, so users can stop the microwave to stir or rotate foods without reprogramming
- Express Cook pads - A shortcut to set cook times from 1 to 6 minutes
- Two-Speed, 200-CFM Venting System - Quickly removes smoke and steam from cooktop
- Full-View Cooktop Lighting - Illuminates the cooking surface below
- Child lock out - Enables you to lock the keypad to prevent the oven from being accidentally started
- Easy-mount installation - Easily mounts below cabinetry, freeing up valuable counter space
- Model RVM1435WK – White
- Model RVM1435BK – Black