



# Room Air Conditioners

*Safety Instructions* . . . . .2, 3

*Operating Instructions*  
Controls . . . . .4, 5

*Care and Cleaning*  
Air Filter . . . . .6  
Grille and Case . . . . .6  
Outdoor Coils . . . . .6

*Installation Instructions*  
Through-the-Wall  
Installation—Optional . . . . .16  
Window Installation . . . . .7–15

*Troubleshooting Tips* . . .17, 18  
Normal Operating Sounds . . .18

*Consumer Support*  
Consumer Support . . . . .24  
Product Registration . . . . .21, 22  
Warranty . . . . .23

**Owner's Manual and  
Installation Instructions**

AKV10    AKV12

**Write the model and serial numbers here:**

**Model #** \_\_\_\_\_

**Serial #** \_\_\_\_\_

Find these numbers on a label on the side of the air conditioner.



# IMPORTANT SAFETY INFORMATION. READ ALL INSTRUCTIONS BEFORE USING.

Safety Instructions

Operating Instructions

Installation Instructions

Troubleshooting Tips

Consumer Support

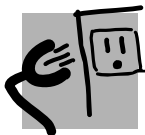
## **⚠ WARNING!**

For your safety, the information in this manual must be followed to minimize the risk of fire, electric shock or personal injury.



## SAFETY PRECAUTIONS

- Use this appliance only for its intended purpose as described in this Owner's Manual.
  - This air conditioner must be properly installed in accordance with the Installation Instructions before it is used.
  - Never unplug your air conditioner by pulling on the power cord. Always grip plug firmly and pull straight out from the receptacle.
  - Repair or replace immediately all electric service cords that have become frayed or otherwise damaged. Do not use a cord that shows cracks or abrasion damage along its length or at either the plug or connector end.
  - Turn the mode control to **OFF** and unplug your air conditioner before making any repairs or cleaning.
- NOTE:** We strongly recommend that any servicing be performed by a qualified individual.
- For your safety...do not store or use combustible materials, gasoline or other flammable vapors or liquids in the vicinity of this or any other appliance.
  - All air conditioners contain refrigerants, which under federal law must be removed prior to product disposal. If you are getting rid of an old product with refrigerants, check with the company handling disposal about what to do.



## HOW TO CONNECT ELECTRICITY

*Do not, under any circumstances, cut or remove the third (ground) prong from the power cord. For personal safety, this appliance must be properly grounded.*

The power cord of this appliance is equipped with a 3-prong (grounding) plug which mates with a standard 3-prong (grounding) wall outlet to minimize the possibility of electric shock hazard from this appliance.

Have the wall outlet and circuit checked by a qualified electrician to make sure the outlet is properly grounded.

Where a 2-prong wall outlet is encountered, it is your personal responsibility and obligation to have it replaced with a properly grounded 3-prong wall outlet.

The air conditioner should always be plugged into its own individual electrical outlet which has a voltage rating that matches the rating plate.

This provides the best performance and also prevents overloading house wiring circuits which could cause a fire hazard from overheated wires.

See the Installation Instructions, *Electrical Requirements* section for specific electrical connection requirements.

**⚠ WARNING!****USE OF EXTENSION CORDS**—115-Volt models only

*Because of potential safety hazards under certain conditions, we strongly recommend against the use of an extension cord.*

However, if you must use an extension cord, it is absolutely necessary that it be a UL-listed, 14 gauge, 3-wire grounding type appliance extension cord having a grounding type plug and outlet and that the electrical rating of the cord be 15 amperes (minimum) and 125 volts.

**⚠ CAUTION:**

**DO NOT use an extension cord with any of the 230/208 volt models.**

**USE OF ADAPTER PLUGS**—115-Volt models only

*Because of potential safety hazards under certain conditions, we strongly recommend against the use of an adapter plug.*

However, if you must use an adapter, where local codes permit, a **temporary connection** may be made to a properly grounded 2-prong wall outlet by use of a UL-listed adapter available at most local hardware stores.

The larger slot in the adapter must be aligned with the larger slot in the wall outlet to provide proper polarity in the connection of the power cord.

When disconnecting the power cord from the adapter, always hold the adapter in place with one hand while pulling the power cord plug with the other hand. If this is not done, the adapter ground terminal is very likely to break with repeated use.

If the adapter ground terminal breaks, **DO NOT USE** the air conditioner until a proper ground has been established.

*Attaching the adapter ground terminal to a wall outlet cover screw does not ground the appliance unless the cover screw is metal, and not insulated, and the wall outlet is grounded through the house wiring. You should have the circuit checked by a qualified electrician to make sure the outlet is properly grounded.*

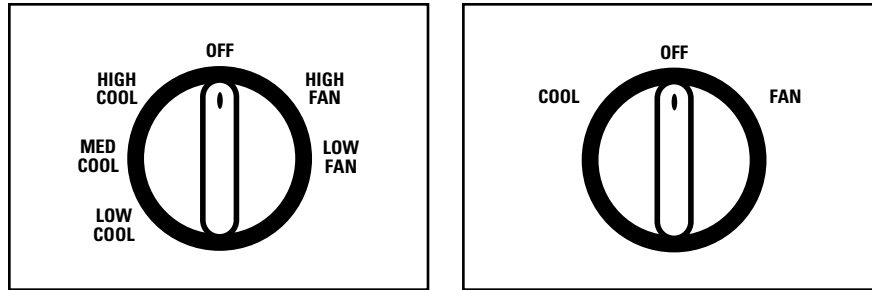


**READ AND FOLLOW THIS SAFETY INFORMATION CAREFULLY.**

**SAVE THESE INSTRUCTIONS**

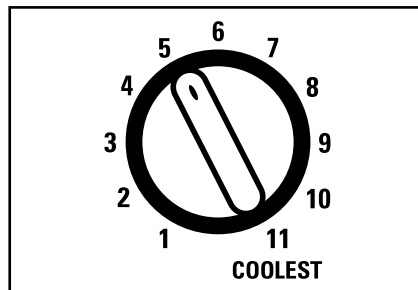
# About the controls on the air conditioner—models with control knobs.

Features and appearance will vary.



## 1 MODE CONTROLS

Your model will have one of the above type controls.



## 2 TEMP CONTROL



### Controls

**1 Mode Controls**  
**HIGH COOL, MED COOL** and **LOW COOL** provide cooling with different fan speeds.

**COOL** provides cooling with a fixed fan speed.

**LOW FAN, HIGH FAN** or **FAN** provides air circulation and filtering without cooling.

**NOTE:** If you move the switch from a cool setting to **OFF** or to a fan setting, wait at least 3 minutes before switching back to a cool setting.

#### Cooling Descriptions

**For Normal Cooling**—Select **HIGH COOL** or **MED COOL** with the temp control at midpoint.

**For Maximum Cooling**—Select **HIGH COOL** with the temp control at the highest number available on your knob.

**For Quieter and Nighttime Cooling**—Select **LOW COOL** with the temp control at midpoint.

**2 Temp Controls**  
 The temp control is used to maintain the room temperature. The compressor will cycle on and off to keep the room at the same level of comfort. When you turn the knob to a higher number, the indoor air will become cooler. Turn the knob to a lower number and the indoor air will become warmer.

**Additional controls and important information.****Energy Saver** (on some models)

The energy saver switch controls the fan.

**ON**—The fan and compressor cycle on and off together. This results in wider variations of room temperature and humidity. It is normally used when the room is unoccupied.

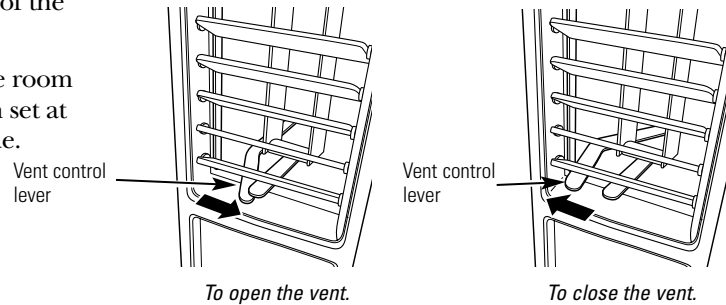
**OFF**—The fan runs all the time, while the compressor cycles on and off.

This switch must be set at **OFF** in order to use the fan settings (on the mode control).

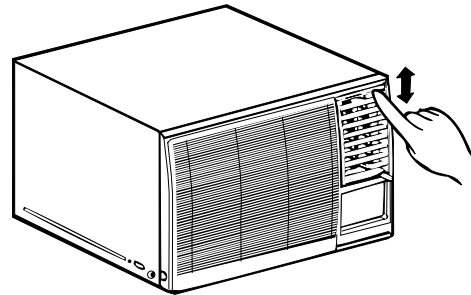
**Vent Control**

The vent control is located on the inside of the air louvers at the bottom of the vent.

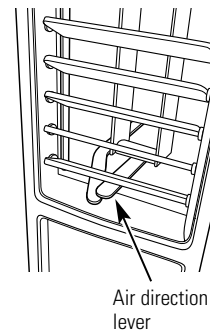
When set at **CLOSE**, only the air inside the room will be circulated and conditioned. When set at **OPEN**, some inside air is exhausted outside.

**Air Direction—Up and Down**

Fingertip pressure on the horizontal louvers adjusts the air direction up or down.

**Air Direction—Side-to-Side**

The side-to-side air direction is adjusted by moving the air direction lever to the left or right.



## Care and cleaning of the air conditioner.

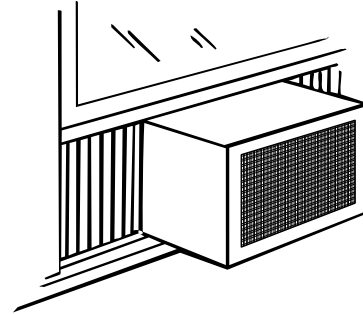
### Grille and Case

Turn the air conditioner off and remove the plug from the wall outlet before cleaning.

To clean, use water and a mild detergent. Do not use bleach or abrasives.

### Outdoor Coils

The coils on the outdoor side of the air conditioner should be checked regularly. If they are clogged with dirt or soot, they may be professionally steam cleaned, a service available through your GE service outlet.



### Air Filter

The air filter behind the front grille should be checked and cleaned at least every 30 days or more often if necessary.

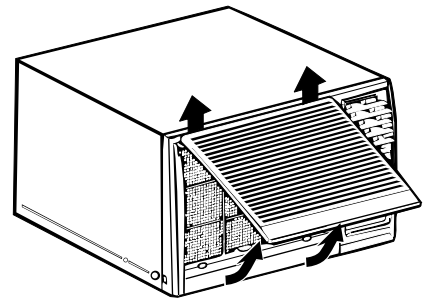
Clean the filter with warm, soapy water. Rinse and let the filter dry before replacing it.

**NOTE:** DO NOT rinse, or put the filter in an automatic dishwasher.

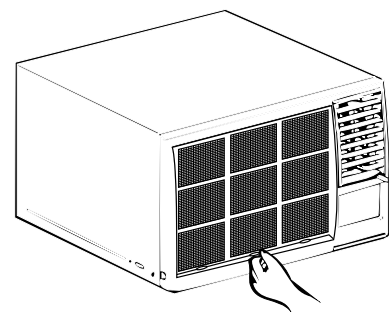
**⚠ CAUTION:** DO NOT operate the air conditioner without a filter because dirt and lint will clog it and reduce performance.

#### To remove:

- 1 Pull to unlatch the lower corners of the inlet grille and lift it up and off.



- 2 Using the tab, pull up slightly on the filter to release it and pull it down to remove.



# Preparing to install the air conditioner.

Read these instructions completely and carefully.



## Before You Begin

**NOTE TO INSTALLER:** Leave these instructions with the air conditioner after installation is completed.

**NOTE TO CONSUMER:** Keep this Owner's Manual and Installation Instructions for future use.

### IMPORTANT NOTES:

For personal safety, this air conditioner must be properly grounded.

It is important to have the wall outlet and circuit checked by a qualified electrician if there is any doubt as to whether a proper ground exists.

Follow National Electrical Codes (NEC) and/or local codes and ordinances.

### ⚠ CAUTION:

Do not, under any circumstances, cut or remove the third (ground) prong from the power cord.

Do not change the plug on the power cord of this air conditioner.

Aluminum house wiring may present special problems—consult a qualified electrician.



## Electrical Requirements

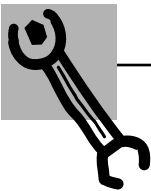


Some models require 115/120-volt a.c., 60 Hz grounded outlet protected with a 15-amp time delay fuse or circuit breaker.

The 3-prong grounding plug minimizes the possibility of electric shock hazard. If the wall outlet you plan to use is only a 2-prong outlet, it is your responsibility to have it replaced with a properly grounded 3-prong wall outlet.



Some models require 230/208-volt a.c., protected with a time delay fuse or circuit breaker. These models should be installed on their own single branch circuit for best performance and to prevent overloading house or apartment wiring circuits, which could cause a possible fire hazard from overheating wires.

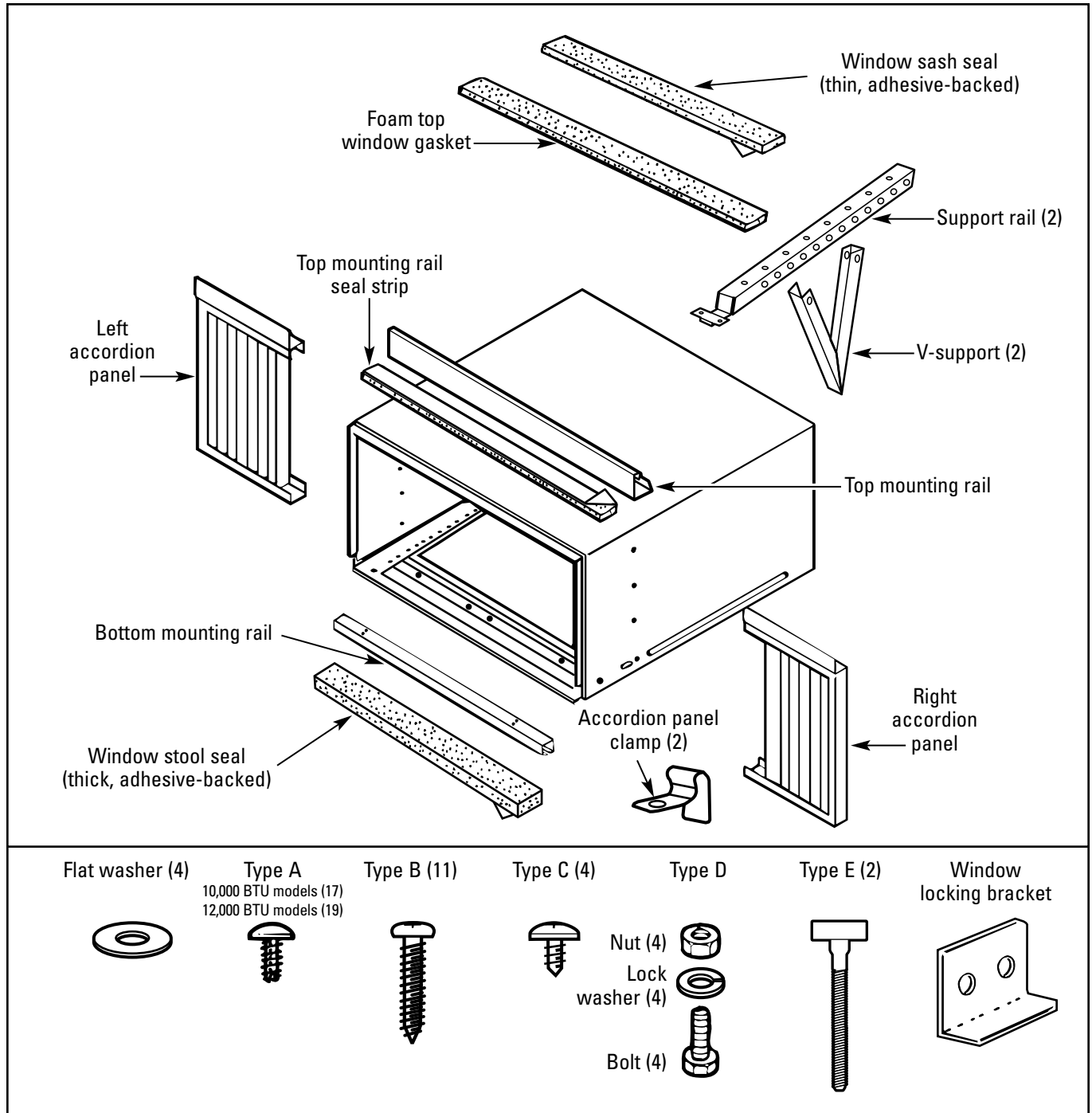


## Tools You Will Need

- Phillips-head screwdriver
- Adjustable wrench
- Ruler or tape measure
- Drill
- Scissors or knife
- Pencil
- Level

# Window installation instructions.

## Parts Included



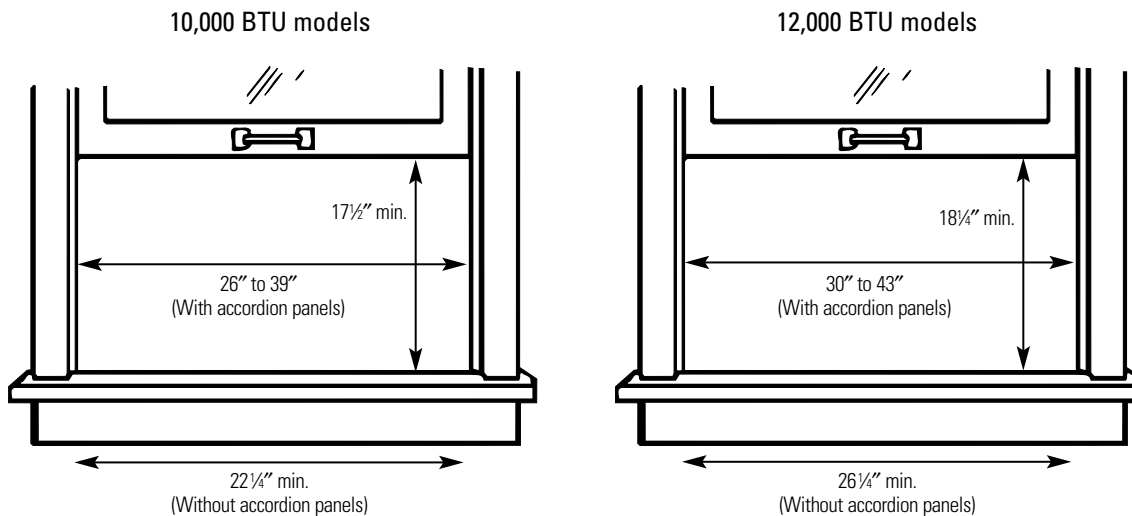


Read completely, then follow step-by-step.

# 1

## Window Requirements

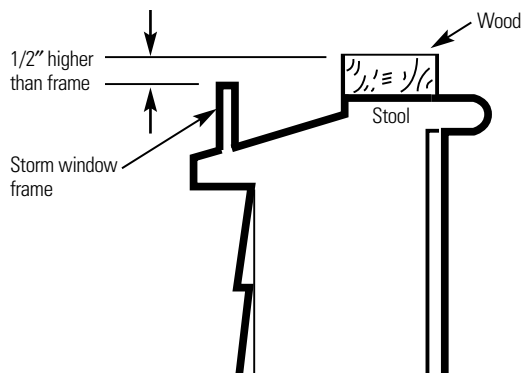
- These instructions are for a standard double-hung window. You will need to modify them for other types of windows.
- The air conditioner can be installed without the accordion panels if needed to fit in a narrow window. See the window opening dimensions.
- All supporting parts must be secured to firm wood, masonry or metal.
- The electrical outlet must be within reach of the power cord.



# 2

## Storm Window Requirements

A storm window frame will not allow the air conditioner to tilt towards the outside and will keep it from draining properly. To adjust for this, attach a piece of wood to the stool.



### WOOD PIECES—

**WIDTH:** 2"

**LENGTH:** Long enough to fit inside the window frame.

**THICKNESS:** To determine the thickness, place a piece of wood on the stool to make it 1/2" higher than the top of the storm window frame.

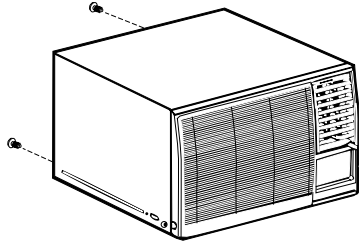
Attach securely with nails or screws provided by the installer.

# Window installation instructions.

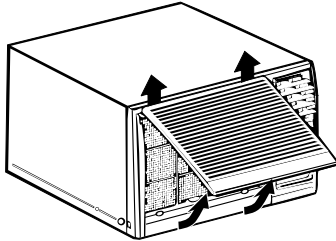
## 3

### Remove the Air Conditioner From the Case

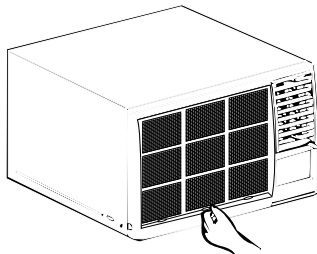
- A** Remove and discard the 2 shipping screws from the bottom rear of the case.



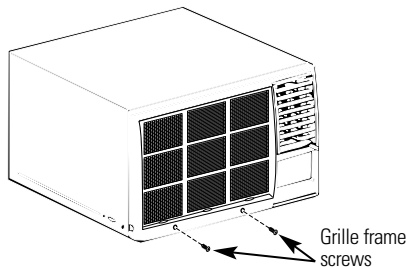
- B** Pull to unlatch the lower corners of the inlet grille and lift it up and off.



- C** Using the tab, pull up slightly on the filter to release it and pull it down to remove.

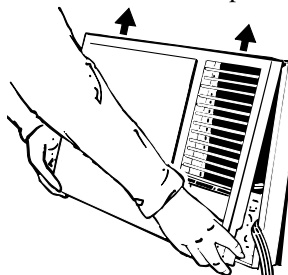


- D** Remove the two grille frame screws.

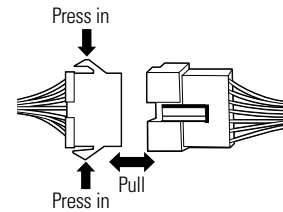


- E** Grasp the lower corners of the grille frame while pressing in on the case sides with your finger tips. Pull out to release and lift it up.

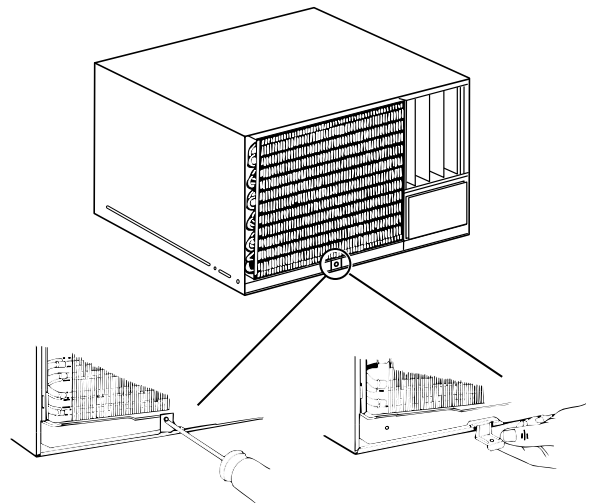
**NOTE:** Do not pull the bottom edge toward you more than 3" or you may damage the tabs of the grille.



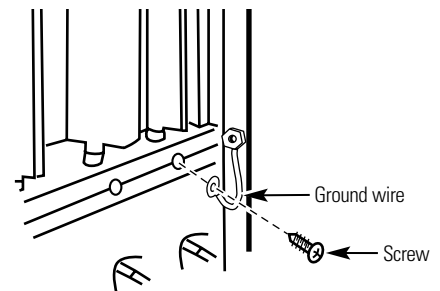
- F** On some models, you must also disconnect the control connectors before the grille frame can be removed. Press the locking tabs in while pulling on the other side to release.



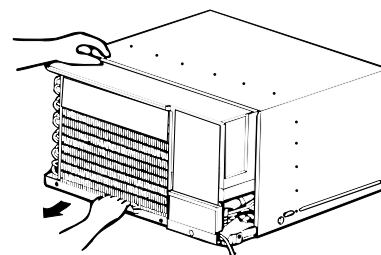
- G** Remove the locking screw and locking bracket from the lower front of the unit.



- H** Remove the screw securing the ground wire to the right side face of the unit.



- I** Slide the air conditioner from the case by gripping the base pan handle and pulling forward while bracing the case.

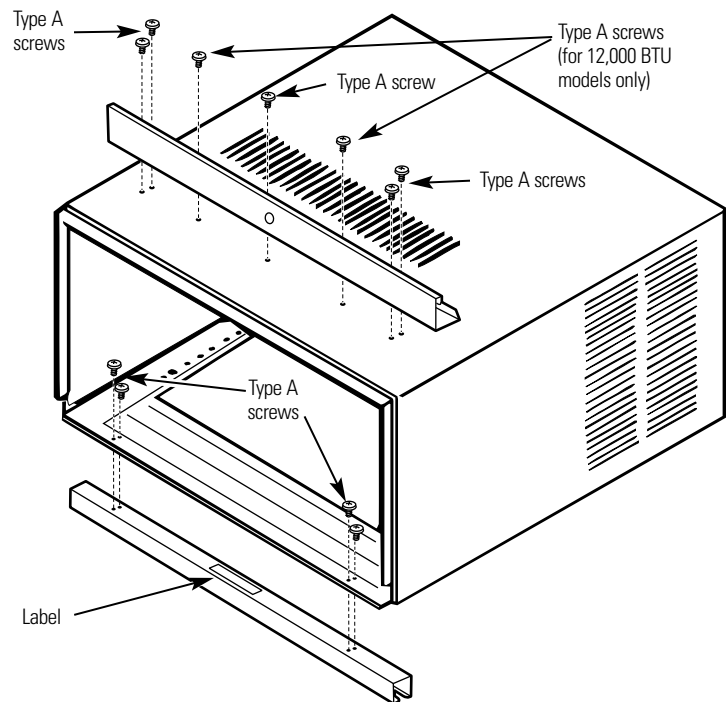
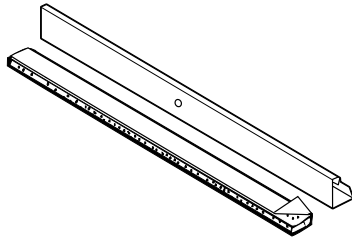


## 4

**Install the Mounting Rails onto the Case**

- A** Remove the backing from the top mounting rail seal strip and attach it to the bottom of the top mounting rail.
- B** Attach the top mounting rail onto the top of the case with 5 Type A screws (on 10,000 BTU models) or 7 Type A screws (on 12,000 BTU models).
- C** Attach the bottom mounting rail to the bottom of the case from the inside, using 4 Type A screws.

**NOTE:** Refer to the label on the bottom mounting rail for proper orientation of the rail.



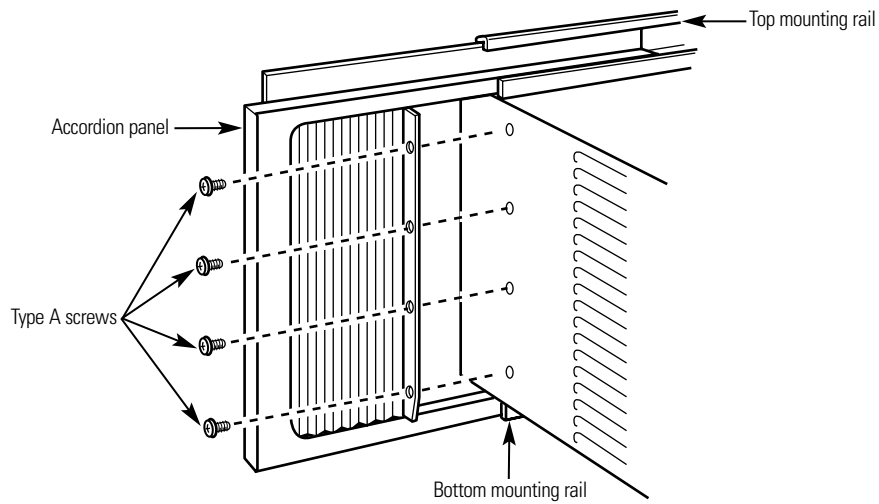
# Window installation instructions.

5

## Install the Side Accordion Panels

**A** Slide the left and right accordion panels into the top and bottom mounting rails.

**B** Attach the accordion panels to the case using 4 Type A screws on each side.



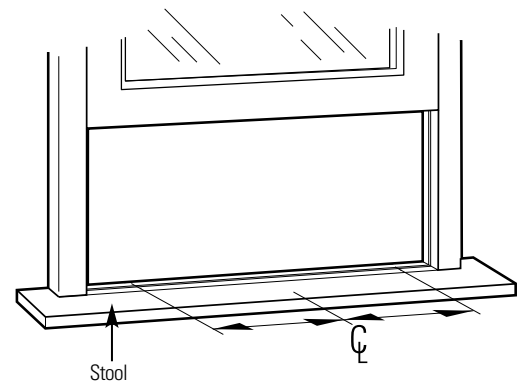
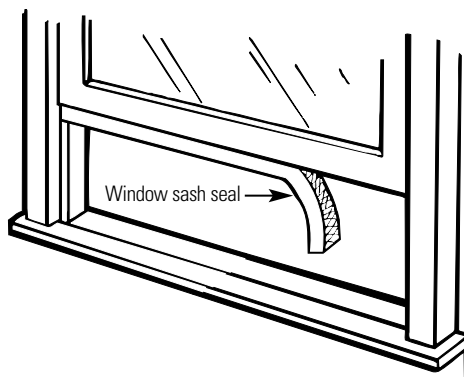
6

## Prepare the Window

**A** Cut the window sash seal to the window width and stick the adhesive side to the bottom of the sash.

**B** Mark the centerline of the stool. Measure and mark the locations for the support assemblies from both sides of the centerline:

10,000 BTU models – 10 $\frac{3}{8}$ " on each side  
12,000 BTU models – 12 $\frac{1}{2}$ " on each side

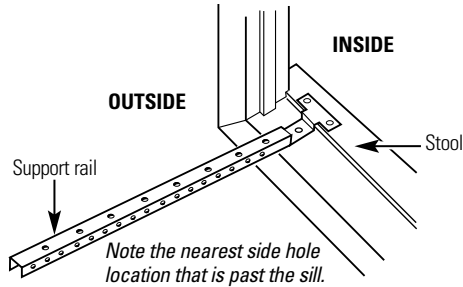


# 7

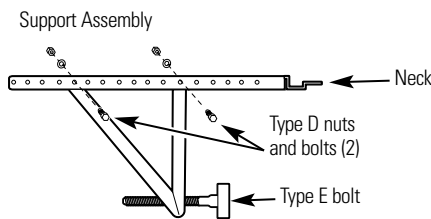
## Place, Assemble and Install the Support Brackets

- A** Determine the position that the V-support will be placed within the support rail by placing the support rail against the back edge of the stool.

**NOTE:** If the wall extends past the sill, note the nearest side hole in the support rail that is past this construction.

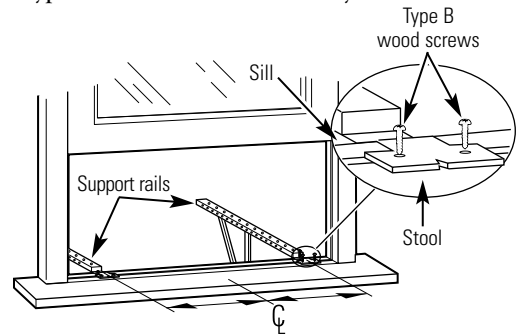


- B** Assemble the V-support to the support rail using 2 Type D nuts, lock washers and bolts, at the location noted. The shortest portion of the V-support should be placed facing the neck of the support rail. Repeat for second V-support and support rail.

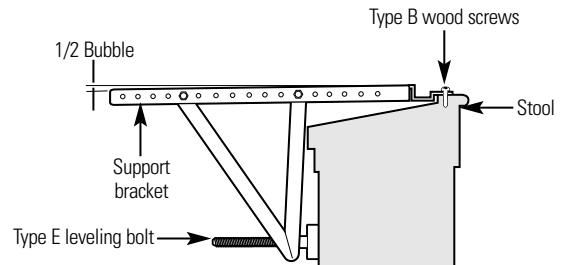


Thread a Type E bolt about 1/2 of the way into the outer face of the shortest angle of each V-support.

- C** Line up the V-notches in the support assemblies on the left and right marks on the stool. Make sure that the support rail is against the back of the stool and drill two 1/8" pilot holes into the stool through the holes in the support rail neck. Attach the support assemblies to the stool using 2 Type B screws in each assembly.

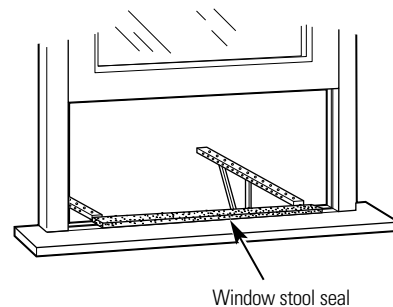


Adjust the Type E leveling bolts against the outside wall so that the assemblies have a slight tilt to the outside. Use a level; about a 1/2 bubble will be the correct slant to the outside.



**NOTE:** Use a wood block between the leveling bolts and the wall if the wall is weak or if the weight of the air conditioner falls between the studs in the wall.

- D** Attach the adhesive side of the window stool seal (thick, adhesive-backed) to the window stool.

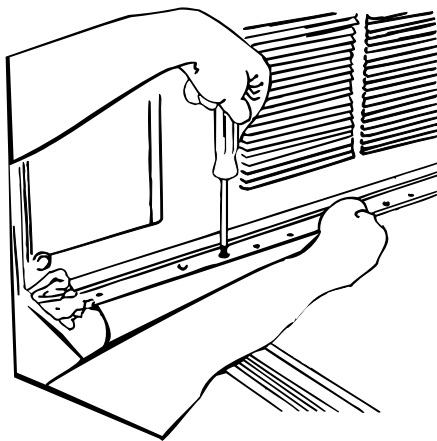


## Window installation instructions.

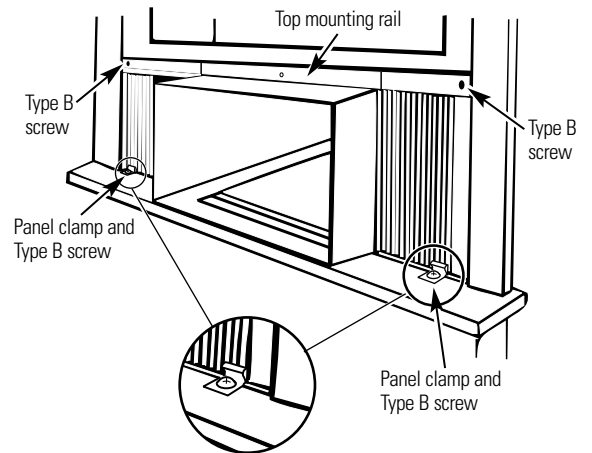
8

### Install the Case in the Window

- A** Carefully position the case in the window until the bottom mounting rail drops into the channels in the supports. Center the case and lower the window behind the top mounting rail. The case should be slightly tilted to the outside. Use a level; about a 1/2 bubble will be the correct case slant to the outside.
- B** Attach the bottom of the case to the support rail with four Type C screws, two on each side, with a flat washer under the head of each screw.



- C** Extend the left and right accordion panels to the vertical window sashes and attach the top corners with 2 Type B screws. Use an accordion panel clamp on each lower corner to trap the panels. Attach them to the stool using 2 Type B screws.

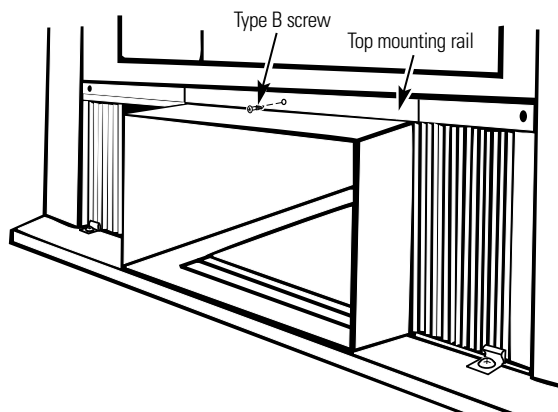


**NOTE:** Seal any openings around the case or accordion panels with sealer or foam gaskets.

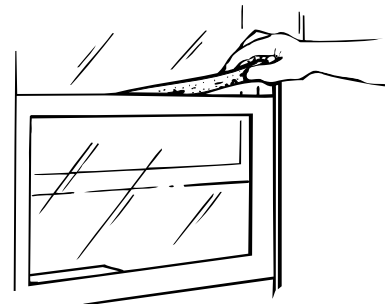
9

### Secure the Case in the Window and Install the Foam Top Window Gasket

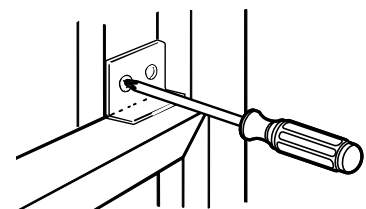
- A** Drill a 1/8" pilot hole and attach the top mounting rail to the sash with a Type B screw.



- B** Cut the foam top window gasket to the window width.
- C** Stuff the foam between the glass and the window to prevent air and insects from getting into the room.

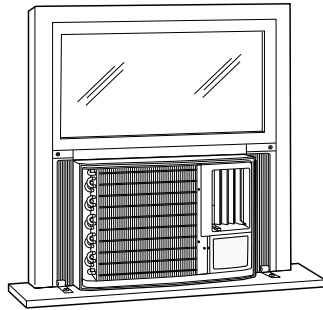


- D** Attach the window locking bracket with 2 Type B screws.

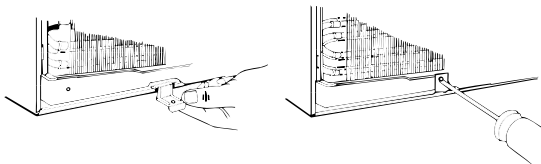


## Install the Air Conditioner in the Case

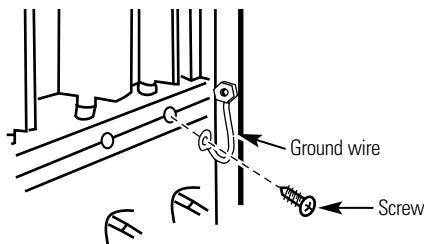
- A** Slide the air conditioner into the case. Do not push on the controls or the finned coils. Make sure the air conditioner is firmly seated.



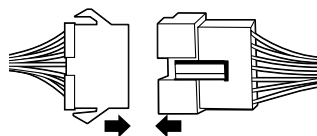
- B** Reinstall the locking brackets and screws removed earlier.



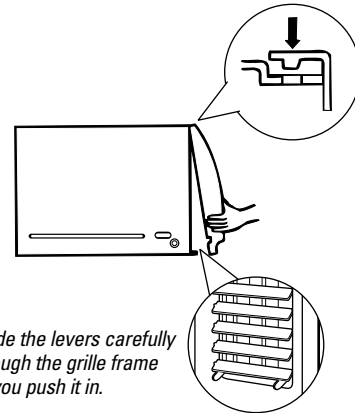
- C** **IMPORTANT!** Reconnect the ground wire to the air conditioner.



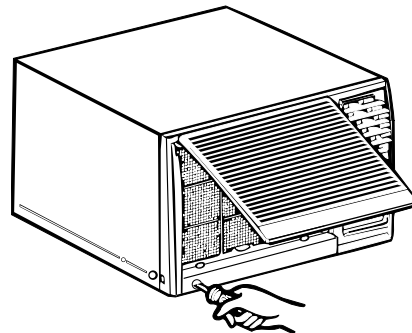
- D** If your model has the control connectors, reconnect them to the front grille by pressing them together until the locking tabs snap into place.



- E** Attach the front grille frame to the case by inserting the tabs on the grille frame into the slots on the front top of the case. Push the grille frame in until it snaps into place around the power cord on the right side.



- F** Secure the front grille frame to the case by replacing the screws removed earlier.



- G** Install the filter. Hook the inlet grille in the frame and close it. Connect power.

# Through-the-wall installation instructions—optional.

1

## IMPORTANT

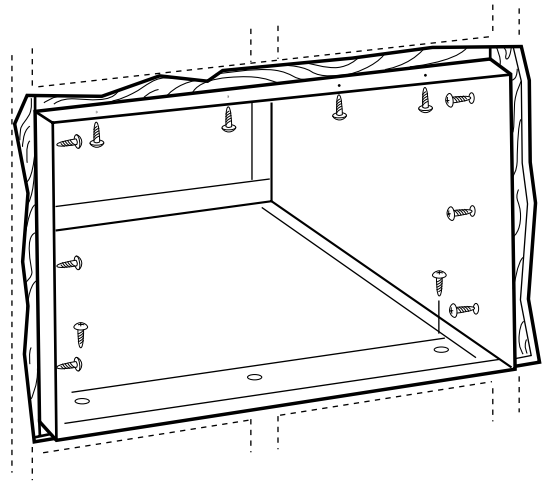
*Through-the-wall installation is not appropriate if any of the side louvers in the case will be obstructed by the wall.*

*All side louvers in the case must project on the outdoor side of the wall.*

*The room side of the case must project into the room at least 1 $\frac{3}{4}$ " from the finished wall.*

*The case must be installed level from side-to-side and with a slight tilt from front to rear. Use a level; about a 1/2 bubble will be the correct case slant to the outside.*

- A** Remove the air conditioner from the case. For specific instruction, refer to the *Window Installation Instructions*.
- B** Make certain a wall receptacle is available close to the hole location or make arrangements to install a receptacle.



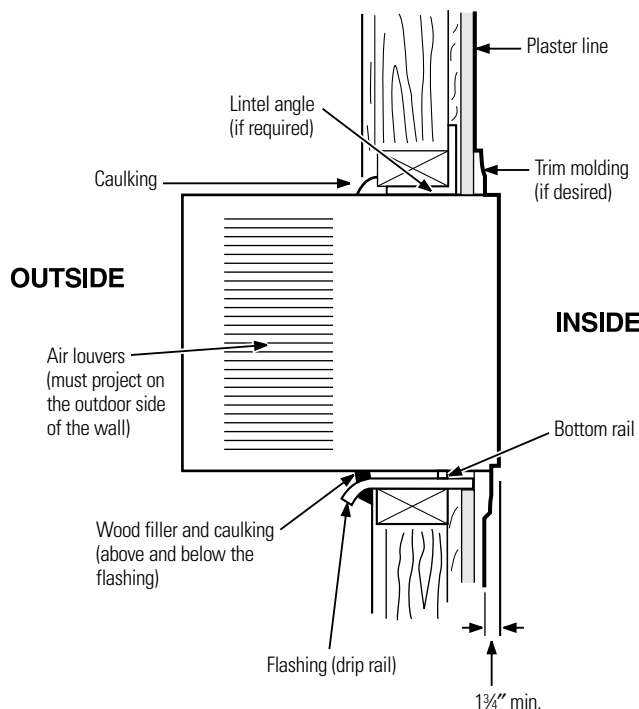
- C** Place the case in the wall opening and secure with 12 1" long #10 wood screws.

**NOTE:** Drill pilot holes, if necessary, for proper installation. If the frame is oversized, use shims to prevent case distortion.

2

## Finish the Wall Opening

Caulk all four sides on the outdoor side of the case to prevent moisture from getting through to the interior wall. Use of flashing (drip rail) will further prevent water from dripping inside the wall and down the outside of the building.







## Troubleshooting Tips.

Save time and money! Review the chart below first and you may not need to call for service.

<b>Problem</b>	<b>Possible Causes</b>	<b>What To Do</b>
<b>Air conditioner does not start</b>	<b>The air conditioner is unplugged.</b>	<ul style="list-style-type: none"> <li>• Make sure the air conditioner plug is pushed completely into the outlet.</li> </ul>
	<b>The fuse is blown/circuit breaker is tripped.</b>	<ul style="list-style-type: none"> <li>• Check the house fuse/circuit breaker box and replace the fuse or reset the breaker.</li> </ul>
	<b>Power failure.</b>	<ul style="list-style-type: none"> <li>• If power failure occurs, turn the air conditioner <b>OFF</b>. When power is restored, wait 3 minutes to restart the air conditioner to prevent tripping of the compressor overload.</li> </ul>
<b>Air conditioner does not cool as it should</b>	<b>Airflow is restricted.</b>	<ul style="list-style-type: none"> <li>• Make sure there are no curtains, blinds or furniture blocking the front of the air conditioner.</li> </ul>
	<b>The temp control may not be set correctly.</b>	<ul style="list-style-type: none"> <li>• Turn the temperature knob to a higher number.</li> </ul>
	<b>The air filter is dirty.</b>	<ul style="list-style-type: none"> <li>• Clean the filter at least every 30 days. See the <i>Operating Instructions</i> section.</li> </ul>
	<b>The room may have been hot.</b>	<ul style="list-style-type: none"> <li>• When the air conditioner is first turned on, you need to allow time for the room to cool down.</li> </ul>
	<b>Cold air is escaping.</b>	<ul style="list-style-type: none"> <li>• Check for open furnace floor registers and cold air returns.</li> <li>• Set the air conditioner's vent to the closed position.</li> </ul>
	<b>Cooling coils have iced up.</b>	<ul style="list-style-type: none"> <li>• See "<b>Air conditioner freezing up</b>" below.</li> </ul>
<b>Air conditioner freezing up</b>	<b>Ice blocks the air flow and stops the air conditioner from cooling the room.</b>	<ul style="list-style-type: none"> <li>• Set the mode control at <b>HIGH FAN</b> or <b>HIGH COOL</b> with the temp at <b>1</b> or <b>2</b>.</li> </ul>
<b>Water drips outside</b>	<b>Hot and humid weather.</b>	<ul style="list-style-type: none"> <li>• This is normal.</li> </ul>
<b>Water drips indoors</b>	<b>The air conditioner is not tilted to the outside.</b>	<ul style="list-style-type: none"> <li>• For proper water disposal, make sure the air conditioner slants slightly from the case front to the rear.</li> </ul>
<b>Water collects in base pan</b>	<b>Moisture removed from air and drains into base pan.</b>	<ul style="list-style-type: none"> <li>• This is normal for a short period in areas with little humidity; normal for a longer period in very humid areas.</li> </ul>

## ***Before you call for service...***

---

### ***Normal Operating Sounds***

- You may hear a pinging noise caused by water being picked up and thrown against the condenser on rainy days or when the humidity is high. This design feature helps remove moisture and improve efficiency.
- You may hear the thermostat click when the compressor cycles on and off.
- Water will collect in the base pan during high humidity or on rainy days. The water may overflow and drip from the outdoor side of the unit.
- The fan may run even when the compressor does not.

**Notes.**

---

<b><i>Safety Instructions</i></b>	<b><i>Operating Instructions</i></b>	<b><i>Installation Instructions</i></b>	<b><i>Troubleshooting Tips</i></b>	<b><i>Consumer Support</i></b>
-----------------------------------	--------------------------------------	---	------------------------------------	--------------------------------

<b>Consumer Support</b>	<b>Troubleshooting Tips</b>	<b>Installation Instructions</b>	<b>Operating Instructions</b>	<b>Safety Instructions</b>
-------------------------	-----------------------------	----------------------------------	-------------------------------	----------------------------

**Notes.**

---

## GE Service Protection Plus™

GE, a name recognized worldwide for quality and dependability, offers you Service Protection Plus™—comprehensive protection on all your appliances—**No Matter What Brand!**

**Benefits Include:**

- Backed by GE
- All brands covered
- Unlimited service calls
- All parts and labor costs included
- No out-of-pocket expenses
- No hidden deductibles
- One 800 number to call

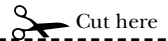
***We'll Cover Any Appliance.  
Anywhere. Anytime.\****

You will be completely satisfied with our service protection or you may request your money back on the remaining value of your contract. No questions asked. It's that simple.

Protect your refrigerator, dishwasher, washer and dryer, range, TV, VCR and much more—**any brand!** Plus there's no extra charge for emergency service and low monthly financing is available. Even icemaker coverage and food spoilage protection is offered. You can rest easy, knowing that all your valuable household products are protected against expensive repairs.

Place your confidence in GE and call us in the U.S. toll-free at **800.626.2224** for more information.

\*All brands covered, up to 20 years old, in the continental U.S.



Please place in envelope and mail to:

***General Electric Company***  
**Warranty Registration Department**  
**P.O. Box 32150**  
**Louisville, KY 40232-2150**

# Consumer Product Ownership Registration

Dear Customer:

Thank you for purchasing our product and thank you for placing your confidence in us. We are proud to have you as a customer!

Follow these three steps to protect your new appliance investment:

# 1

**Complete and mail your Consumer Product Ownership Registration today.** Have the peace of mind of knowing we can contact you in the unlikely event of a safety modification.

# 2

After mailing the registration below, store this document in a safe place. It contains information you will need should you require service. Our service number is 800.GE.CARES (800.432.2737).

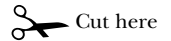
# 3

Read your Owner's Manual carefully. It will help you operate your new appliance properly.

Model Number

Serial Number

**Important: If you did not get a registration card with your product, detach and return the form below to ensure that your product is registered, or register online at [www.GEAppliances.com](http://www.GEAppliances.com).**



## Consumer Product Ownership Registration



Model Number

Serial Number

Mr.  Ms.  Mrs.  Miss

First Name

Last Name

Street Address

Apt. #

E-mail Address\*

City

State

Zip Code

Date Placed In Use  
Month

Day

Year

Phone Number --

\* Please provide your e-mail address to receive, via e-mail, discounts, special offers and other important communications from GE Appliances (GEA).

Check here if you do not want to receive communications from GEA's carefully selected partners.



**GE Appliances**

GE Consumer Products  
General Electric Company  
Louisville, Kentucky  
[www.GEAppliances.com](http://www.GEAppliances.com)

# Air Conditioner Warranty.



All warranty service provided by our Factory Service Centers, or an authorized Customer Care® technician. To schedule service, on-line, 24 hours a day, visit us at [www.GEAppliances.com](http://www.GEAppliances.com), or call 800.GE.CARES (800.432.2737).

Staple your receipt here.  
Proof of the original purchase date is needed to obtain service under the warranty.

For The Period Of:	We Will Replace:
<b>One Year</b> From the date of the original purchase	<b>Any part</b> of the air conditioner which fails due to a defect in materials or workmanship. During this <b>full one-year warranty</b> , we will also provide, <b>free of charge</b> , all labor and in-home service to replace the defective part.
<b>Five Years</b> From the date of the original purchase	<b>Any part of the sealed refrigerating system</b> (the compressor, condenser, evaporator and all connecting tubing) which fails due to a defect in materials or workmanship. During this <b>four-year additional warranty</b> , we will also provide, <b>free of charge</b> , all labor and in-home service to replace the defective part.

## What Is Not Covered:

- Service trips to your home to teach you how to use the product.
- Improper installation, delivery or maintenance. If you have an installation problem, or if the air conditioner is of improper cooling capacity for the intended use, contact your dealer or installer. You are responsible for providing adequate electrical connecting facilities.
- Failure of the product resulting from modifications to the product or due to unreasonable use including failure to provide reasonable and necessary maintenance.
- In commercial locations labor necessary to move the unit to a location where it is accessible for service by an individual technician.
- Replacement of house fuses or resetting of circuit breakers.
- Failure due to corrosion on models not corrosion-protected.
- Damage to the product caused by improper power supply voltage, accident, fire, floods or acts of God.
- Incidental or consequential damage caused by possible defects with this air conditioner.
- Damage after delivery.

*This warranty is extended to the original purchaser and any succeeding owner for products purchased for home use within the USA. In Alaska, the warranty excludes the cost of shipping or service calls to your home.*

*Some states do not allow the exclusion or limitation of incidental or consequential damages. This warranty gives you specific legal rights, and you may also have other rights which vary from state to state. To know what your legal rights are, consult your local or state consumer affairs office or your state's Attorney General.*

**Warrantor: General Electric Company. Louisville, KY 40225**

Safety Instructions

Operating Instructions

Installation Instructions

Troubleshooting Tips

Consumer Support

## Consumer Support.

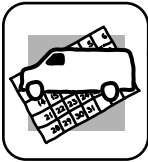
---



### *GE Appliances Website*

[www.GEAppliances.com](http://www.GEAppliances.com)

Have a question or need assistance with your appliance? Try the GE Appliances Website 24 hours a day, any day of the year! For greater convenience and faster service, you can now download Owner's Manuals, order parts, catalogs, or even schedule service on-line. You can also "Ask Our Team of Experts™" your questions, and so much more...



### *Schedule Service*

[www.GEAppliances.com](http://www.GEAppliances.com)

Expert GE repair service is only one step away from your door. Get on-line and schedule your service at your convenience 24 hours any day of the year! Or call 800.GE.CARES (800.432.2737) during normal business hours.



### *Real Life Design Studio*

[www.GEAppliances.com](http://www.GEAppliances.com)

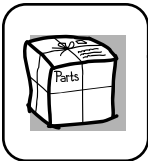
GE supports the Universal Design concept—products, services and environments that can be used by people of all ages, sizes and capabilities. We recognize the need to design for a wide range of physical and mental abilities and impairments. For details of GE's Universal Design applications, including kitchen design ideas for people with disabilities, check out our Website today. For the hearing impaired, please call 800.TDD.GEAC (800.833.4322).



### *Extended Warranties*

[www.GEAppliances.com](http://www.GEAppliances.com)

Purchase a GE extended warranty and learn about special discounts that are available while your warranty is still in effect. You can purchase it on-line anytime, or call 800.626.2224 during normal business hours. GE Consumer Home Services will still be there after your warranty expires.



### *Parts and Accessories*

[www.GEAppliances.com](http://www.GEAppliances.com)

Individuals qualified to service their own appliances can have parts or accessories sent directly to their homes (VISA, MasterCard and Discover cards are accepted). Order on-line today, 24 hours every day or by phone at 800.626.2002 during normal business hours.

**Instructions contained in this manual cover procedures to be performed by any user. Other servicing generally should be referred to qualified service personnel. Caution must be exercised, since improper servicing may cause unsafe operation.**



### *Contact Us*

[www.GEAppliances.com](http://www.GEAppliances.com)

If you are not satisfied with the service you receive from GE, contact us on our Website with all the details including your phone number, or write to: General Manager, Customer Relations  
GE Appliances, Appliance Park  
Louisville, KY 40225



### *Register Your Appliance*

[www.GEAppliances.com](http://www.GEAppliances.com)

**Register your new appliance on-line—at your convenience!** Timely product registration will allow for enhanced communication and prompt service under the terms of your warranty, should the need arise. You may also mail in the pre-printed registration card included in the packing material.





# Acondicionadores de Aire

*Instrucciones de seguridad* . . . . .2, 3

*Instrucciones de operación*

Controles . . . . .4, 5

*Cuidado y limpieza*

Bobinas para exteriores . . . . .6

Filtro de aire . . . . .6

Parrilla y caja . . . . .6

*Instrucciones de instalación*

A través de la pared

Instalación—opcional . . . . .16

Instalación en una ventana . . . . .7–15

*Solucionar problemas* . . . . .17, 18

Sonidos normales de operación . . .18

*Apoyo al consumidor*

Apoyo al consumidor . . . . .24

Garantía . . . . .23

**Manual del Propietario e Instrucciones de Instalación**

AKV10

AKV12

**Escriba el modelo y número de serie aquí:**

**Número de modelo** \_\_\_\_\_

**Número de serie** \_\_\_\_\_

Usted puede encontrar estos números al costado del acondicionador de aire.



# INFORMACIÓN IMPORTANTE DE SEGURIDAD. LEA TODAS LAS INSTRUCCIONES ANTES DE USAR.

Seguridad

## ⚠ ¡ADVERTENCIA!

Por su seguridad, se debe seguir la información en este manual para minimizar el riesgo de incendios, descargas eléctricas o lesiones personales.

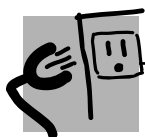


## PRECAUCIONES DE SEGURIDAD

- Use este electrodoméstico solamente para el propósito determinado según se describe en el Manual del propietario.
- Este acondicionador de aire debe instalarse correctamente de acuerdo con las Instrucciones de instalación antes de su uso.
- Nunca desenchufe su acondicionador de aire tirando del cable eléctrico. Siempre agarre firmemente el enchufe y tire de él directamente hacia afuera.
- Repare o reemplace inmediatamente todos los cables eléctricos que se hayan pelado o que se hayan dañado de alguna otra manera. No use un cable eléctrico que muestre evidencias de deterioro, o daños de abrasión en su superficie en alguno de sus extremos.
- Apague el control de modo y desenchufe su acondicionador de aire antes de hacer cualquier reparación o limpiar.
- **NOTA:** Recomendamos enérgicamente que cualquier servicio llevado a cabo en este equipo lo realice un individuo calificado.
- Por su seguridad...no almacene ni use materiales combustibles, gasolina u otros vapores o líquidos inflamables en la proximidad de éste o algún otro electrodoméstico.
- Todos los acondicionadores de aire contienen refrigerantes, los cuales se deben retirar antes de la eliminación del producto de acuerdo con la ley federal. Si va a desechar algún aparato antiguo de refrigeración, consulte con la compañía a cargo de desechar el aparato para saber qué hacer.

Operación

Instalación



## CÓMO CONECTAR LA ELECTRICIDAD

*Bajo ninguna circunstancia, corte o remueva la tercera púa (tierra) del cable eléctrico. En pos de la seguridad personal, este electrodoméstico debe siempre conectarse a tierra.*

El cable eléctrico de este electrodoméstico está equipado con un enchufe de tres púas (tierra) que combina con un tomacorriente estándar de tres tomas de pared para minimizar la posibilidad de una descarga eléctrica.

Pida a un técnico que inspeccione el tomacorriente y el circuito para cerciorarse de que el tomacorriente está conectado a tierra de la manera apropiada.

Donde exista un tomacorriente de dos tomas, es su responsabilidad y obligación personal hacer que dicho tomacorriente sea reemplazado por uno de tres tomas con conexión a tierra.

El acondicionador de aire debería siempre estar conectado a un tomacorriente individual con su circuito de voltaje correspondiente.

Esto proporciona el mayor rendimiento y además evita que los circuitos del resto de la casa se sobrecarguen, lo cual podría causar incendios por el sobrecalentamiento del cableado.

Ver las Instrucciones de instalación, en la sección *Requisitos eléctricos* para los requisitos específicos de conexión.

Solucionar problemas

Apoyo al consumidor

## ⚠ ¡ADVERTENCIA!

### USO DE CABLES DE EXTENSIÓN—Modelos de 115 voltios solamente



Debido al potencial de riesgos de seguridad bajo ciertas condiciones, **enérgicamente recomendamos contra el uso de cables de extensión.**

Sin embargo, si usted se ve en la necesidad de usar un cable eléctrico de extensión, es absolutamente necesario que el mismo esté listado bajo UL, sea calibre 14, del tipo de 3 tomas con conexión a tierra para electrodomésticos y el índice eléctrico debe ser de 15 amperios (mínimo) y 125 voltios.

## ⚠ PRECAUCIÓN:

**NO USE un cable de extensión con ninguno de los modelos de 230/208 voltios.**



### USO DE ENCHUFES ADAPTADORES—Modelos de 115 voltios solamente

Debido al potencial de riesgos de seguridad bajo ciertas condiciones, **enérgicamente recomendamos contra el uso de enchufes adaptadores.**

Sin embargo, si usted se ve en la necesidad de usar un adaptador, donde los códigos legales locales lo permitan, puede hacer una **conexión temporal** a un interruptor de 2 tomas siempre que se use un tomacorriente listado UL disponible en la mayoría de las ferreterías.

La ranura mayor en el adaptador debe estar alineada con la púa mayor en la pared para proporcionar una polaridad apropiada en la conexión del cable eléctrico.

Cuando se disponga a desconectar el cable eléctrico del adaptador, siempre sostenga el adaptador en su lugar con una mano mientras tira del cable eléctrico con la otra mano. Si no hace esto, la terminal de tierra del adaptador podría romperse después de que este proceso se repita varias veces.

Si se rompe el terminal de conexión a tierra del adaptador, **NO USE** el acondicionador de aire hasta que la conexión a tierra se haya restablecido.

*Unir el terminal de conexión a tierra del adaptador a un tornillo de la cubierta en la pared no conecta a tierra el electrodoméstico apropiadamente a no ser que el tornillo de la cubierta sea metálico y no esté aislado, y el tomacorriente de la casa esté apropiadamente conectado a tierra a través del cableado de la casa. Haga que un técnico calificado inspeccione el circuito de la casa para cerciorarse que está conectado a tierra apropiadamente.*

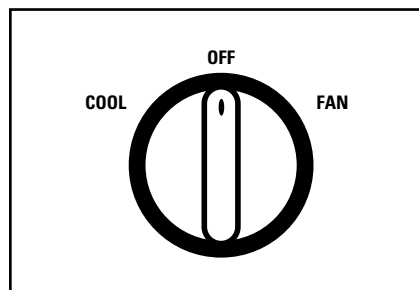
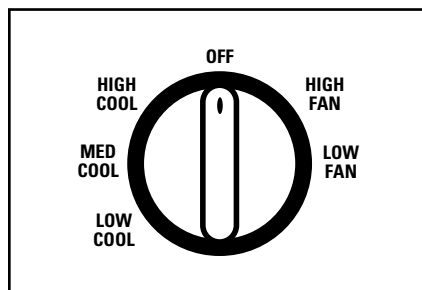


**LEA Y SIGA ESTAS INSTRUCCIONES DE SEGURIDAD CUIDADOSAMENTE.**

**GUARDE ESTAS INSTRUCCIONES**

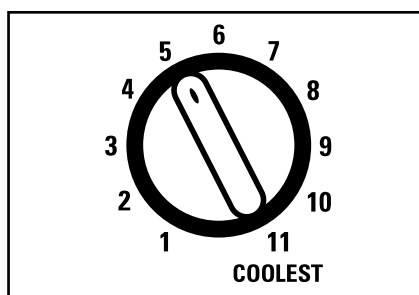
# Acerca de los controles en el acondicionador de aire— modelos con botones de control.

Las funciones y el aspecto pueden variar.



## 1 CONTROLES DE MODO

Su modelo tendrá uno de los tipos de control mostrados arriba.



## 2 CONTROLES DE TEMPERATURA



### Controles

**1 Controles de modo**  
**HIGH COOL (FRÍO ALTO)**, **MED COOL (FRÍO MEDIO)** y **LOW COOL (FRÍO BAJO)** proporcionan enfriamiento con diferentes velocidades del ventilador.

**COOL (FRÍO)** ofrece enfriamiento con una velocidad fija del ventilador.

**LOW FAN (VENTILADOR BAJO)**, **HIGH FAN (VENTILADOR ALTO)** o **FAN (VENTILADOR)** proporcionan la circulación de aire sin enfriamiento.

**NOTA:** Si usted mueve el interruptor de un nivel frío a **OFF (APAGADO)** o a un nivel de ventilador, espere por lo menos 3 minutos antes de cambiar otra vez a un nivel de enfriamiento.

#### Descripciones de enfriamiento

**Para enfriamiento normal**—Seleccione **HIGH COOL (ENFRIAMIENTO ALTO)** o **MED COOL (ENFRIAMIENTO MEDIO)** con el control de temperatura en el medio.

**Para enfriamiento máximo**—Seleccione **HIGH COOL (ENFRIAMIENTO ALTO)** con el control de temperatura en el número mayor disponible en su teclado.

**Para enfriamiento silencioso durante la noche**—Seleccione **LOW COOL (ENFRIAMIENTO BAJO)** con el control de temperatura en el nivel medio.

**2 Controles de temperatura**  
El control de temperatura es usado para mantener la temperatura de la habitación. El compresor hará ciclo entre encendido y apagado para mantener el mismo nivel de temperatura en la habitación. Cuando usted gira el botón hacia un número mayor, el aire interno se enfriará más. Si lo ajusta a un número menor, la temperatura del aire interno se calentará más.

## Controles adicionales e información importante.

### Ahorrador de energía (en algunos modelos)

El interruptor del ahorrador de energía controla el ventilador.

**ON (ENCENDIDO)**—El ventilador y el compresor realizan un ciclo de encendido y apagado. Esto resulta en variaciones más amplias en la temperatura y la humedad del cuarto. Normalmente se usa cuando el cuarto está desocupado.

**OFF (APAGADO)**—El ventilador funciona todo el tiempo, mientras el compresor realiza ciclos de encendido y apagado.

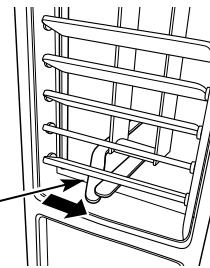
Este interruptor se debe configurar en la posición **OFF (APAGADO)** para usar los niveles del ventilador (en el control de modo).

### Control de ventilación

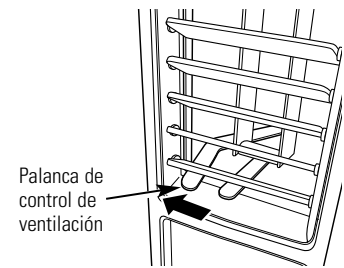
El control de ventilación está localizado en el interior de las parrillas de aire en el fondo de la ventanilla.

Cuando está ajustado a **CLOSE (CERRADO)**, solamente el aire en el interior de la habitación circulará y se acondicionará. Cuando está ajustado a **OPEN (ABIERTO)**, un poco del aire interno es expelido hacia afuera.

Palanca de control de ventilación



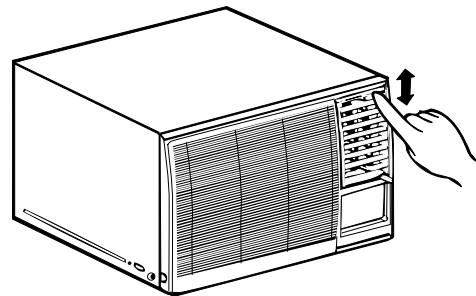
Para abrir la ventanilla.



Para cerrar la ventanilla.

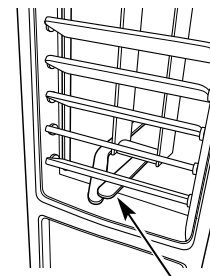
### Dirección del aire—hacia arriba y hacia abajo

Una presión sencilla con los dedos en las parrillas horizontales ajustará la dirección del aire hacia arriba o hacia abajo.



### Dirección del aire—de lado a lado

La dirección del aire de lado a lado se ajusta moviendo la palanca de dirección del aire hacia la izquierda o derecha.



Palanca de dirección del aire

## Cuidado y limpieza del acondicionador de aire.

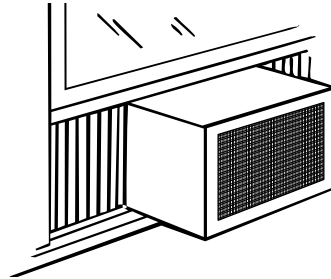
### Parrilla y caja

Apague el acondicionador de aire y retire el enchufe del tomacorriente de la pared antes de limpiar.

Para limpiar, use agua y un detergente suave. No use cloro o materiales abrasivos.

### Bobinas para exteriores

Las bobinas en el lado exterior del acondicionador de aire debe ser inspeccionada regularmente. Si la misma está obstruida con suciedad u hollín, podría ser limpiada profesionalmente con vapor, y nosotros en GE podemos proporcionarle tales servicios.



### Filtro de aire

El filtro de aire detrás de la parrilla frontal debe ser inspeccionado y limpiado por lo menos cada 30 días o más a menudo si fuese necesario.

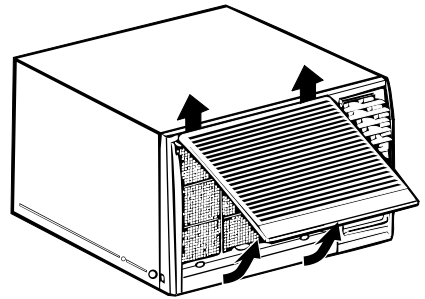
Limpie el filtro con agua tibia y jabón. Enjuáguelo y permita que se seque antes de colocarlo otra vez en su lugar.

**NOTA:** NO lave, o ponga el filtro en un lavaplatos automático.

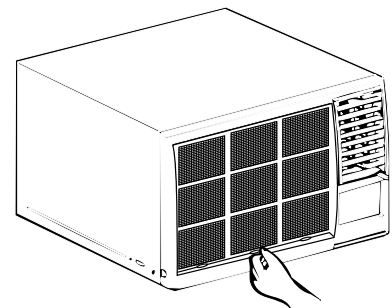
**⚠ PRECAUCIÓN:** NO OPERE el acondicionador de aire sin el filtro debido a que la suciedad y las pelusas lo obstruirán y reducirán su rendimiento.

#### Para retirar:

- 1 Hale hasta liberar las esquinas inferiores de la rejilla de entrada y luego levántela y retírela.



- 2 Utilizando la lengüeta, hale el filtro ligeramente hacia arriba para liberarlo y luego hale hacia abajo para retirarlo.



# Preparándose para instalar el acondicionador de aire.

Lea estas instrucciones completa y cuidadosamente.



## Antes de comenzar

**NOTA AL INSTALADOR:** Deje estas instrucciones con el acondicionador de aire después de completar la instalación.

**NOTA AL CONSUMIDOR:** Mantenga este Manual de Instrucciones e Instrucciones de Instalación para uso futuro.

### NOTAS IMPORTANTES:

Para su seguridad personal, este acondicionador de aire debe estar conectado a tierra apropiadamente.

Es importante que usted solicite a un técnico calificado que inspeccione el tomacorriente de la pared y el circuito para cerciorarse de que el sistema de cables está conectado a tierra.

Siga los códigos Eléctricos Nacionales (NEC—National Electrical Codes) y/o las ordenanzas locales.

## ⚠ PRECAUCIÓN:

Bajo ninguna circunstancia corte o remueva la tercera púa (conexión a tierra) del cable eléctrico.

No cambie el enchufe en el cable eléctrico de este acondicionador de aire.

Los cables caseros de aluminio podrían presentar problemas especiales. Consulte a un técnico calificado.



## Requisitos eléctricos

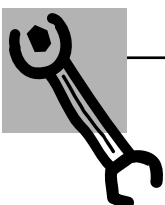


Algunos modelos requieren tomacorrientes de 115/120 voltios de corriente alterna y 60 Hz conectados a tierra, protegidos con un fusible de dilatación de tiempo de 15 amperios o un cortacircuitos.

El enchufe de tres púas con conexión a tierra minimiza la posibilidad de descargas eléctricas. Si el tomacorriente de la pared que usted planea usar solamente tiene 2 tomas, es su responsabilidad hacer que un técnico lo reemplace por uno de tres tomas con conexión a tierra.



Algunos modelos requieren 230/208 voltios, de corriente alterna, protegidos por un fusible de dilatación de tiempo o un cortacircuitos. Estos modelos deberían instalarse en un ramal exclusivo del circuito para un rendimiento más notable y para prevenir sobrecargas en los circuitos de cableados de su casa o apartamento, lo cual podría representar un riesgo de incendio por el sobrecalentamiento de los alambres.



## Herramientas que necesitará

■ Un destornillador de estrella

■ Una llave ajustable

■ Una regla o cinta métrica

■ Taladro

■ Tijeras o cuchilla

■ Lápiz

■ Nivel

# Instrucciones para la instalación en una ventana.

Seguridad

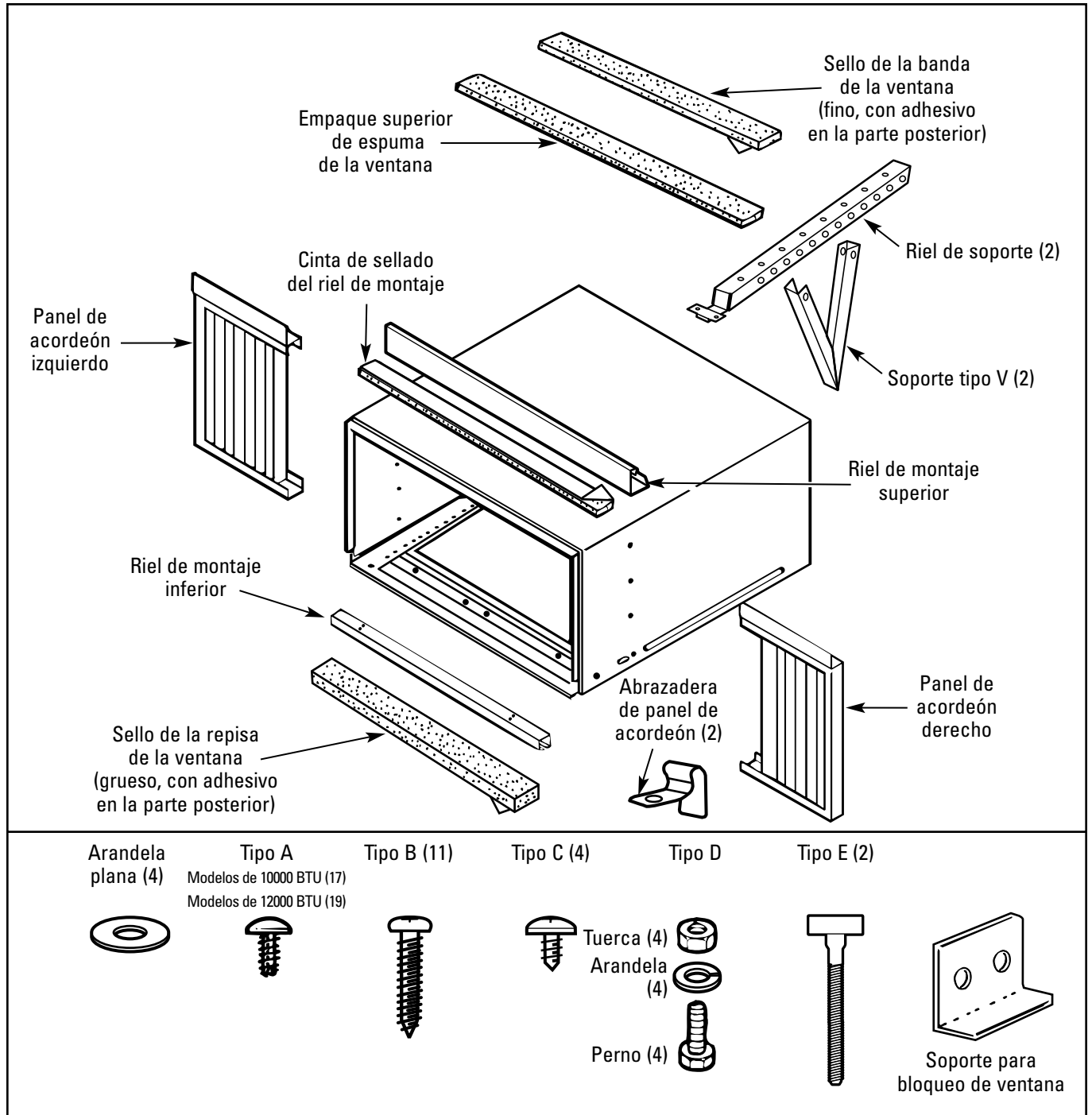
Operación

Instalación

Solucionar problemas

Apoyo al consumidor

## Partes incluidas





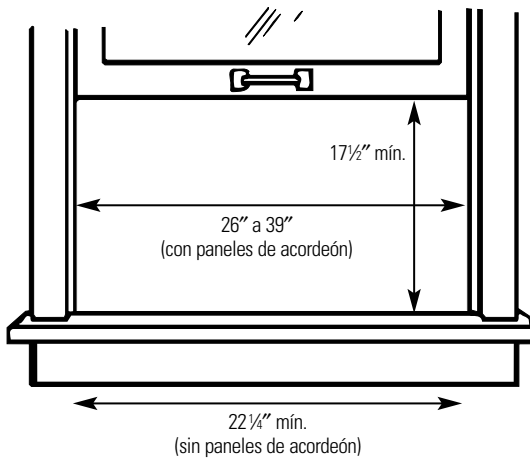
Lea completamente, luego siga paso por paso.

1

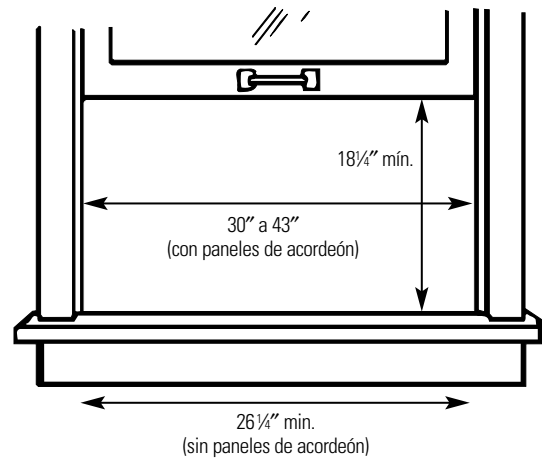
### Requisitos para la ventana

- Estas instrucciones son para una ventana estándar de dos pliegues. Usted necesitará modificar el proceso para otros tipos de ventanas.
- El acondicionador de aire puede instalarse sin los paneles de acordeón para ajustarse a una ventana más estrecha. Ver las dimensiones de la abertura de la ventana.
- Todas las partes de apoyo deben quedar totalmente aseguradas a algún metal, mampostería o a la madera.
- El tomacorriente eléctrico debe estar al alcance del cable eléctrico del acondicionador de aire.

Modelos de 10000 BTU



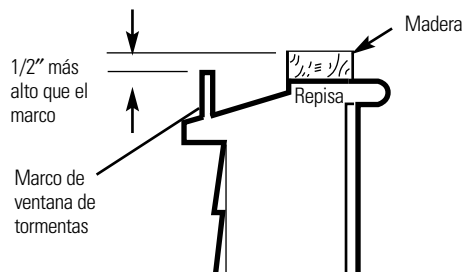
Modelos de 12000 BTU



2

### Requisitos de una ventana de tormentas

Un marco de ventana de tormentas no permitirá que el acondicionador de aire se incline hacia el exterior y evitará que drene apropiadamente. Para solucionar este problema, adhiera un pedazo de madera a la repisa.



#### PIEZAS DE MADERA—

**ANCHO:** 2"

**LONGITUD:** Suficiente longitud para ajustarse al interior del marco de la ventana.

**ESPESOR:** Para determinar el espesor, coloque un pedazo de madera en la repisa para hacerlo 1/2" más alto que la parte superior del marco de la ventana de tormentas.

Una firmemente con puntillas o tornillos provistos por el instalador.

Seguridad

Operación

Instalación

Solucionar problemas

Apoyo al consumidor

# Instrucciones para la instalación en una ventana.

Seguridad

Operación

Instalación

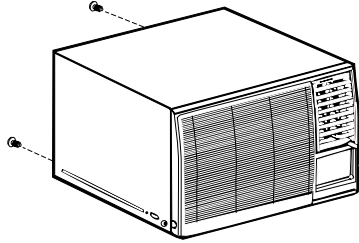
Solucionar problemas

Apoyo al consumidor

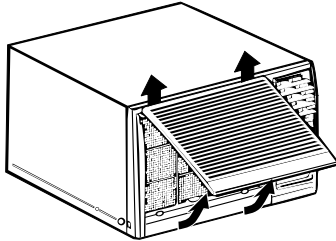
## 3

### Retire el acondicionador de aire de la caja

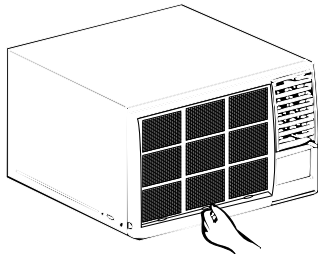
- A** Remueva y descarte los dos tornillos de embalaje del fondo posterior de la caja.



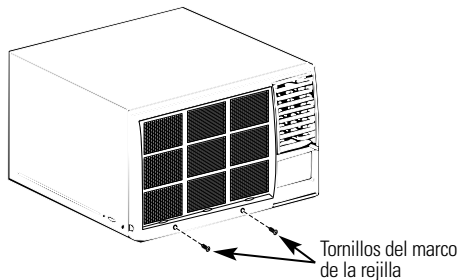
- B** Hale hasta abrir las esquinas inferiores de la rejilla de entrada y luego levántelo y retírelo.



- C** Utilizando la lengüeta, hale el filtro ligeramente hacia arriba para liberarlo y luego hale hacia abajo para retirarlo.

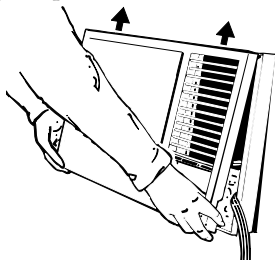


- D** Retire los dos tornillos del marco de la rejilla.

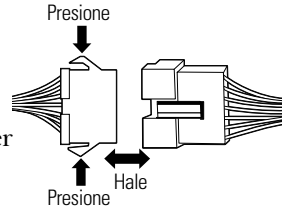


- E** Agarre las esquinas inferiores del marco de la rejilla mientras presiona en los costados de la caja con las puntas de los dedos. Hale hacia afuera para liberarlo y después levántelo.

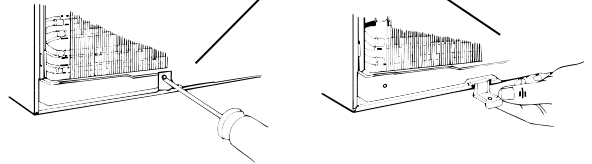
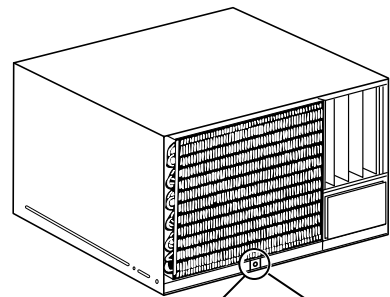
**NOTA:** No hale el borde inferior hacia usted más de 3 pulgadas (76 mm) o podría dañar las lengüetas de la rejilla.



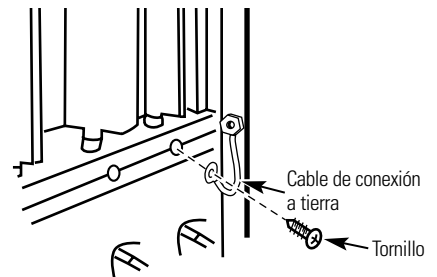
- F** En algunos modelos, también tiene que desconectar los conectores del control antes de poder retirar el marco de la rejilla. Presione las lengüetas de seguridad mientras hala del otro lado para liberarlo.



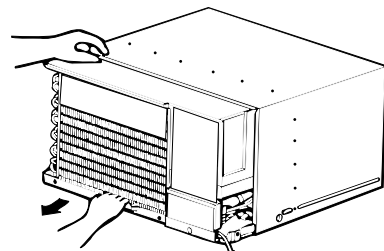
- G** Retire el tornillo y soporte de seguridad del frente inferior de la unidad.



- H** Retire el tornillo que sujeta el cable de conexión a tierra con la pared lateral derecha de la unidad.



- I** Deslice el acondicionador de aire de la caja agarrando la manija del recipiente de la base y halando hacia el frente mientras apoya la caja.



# 4

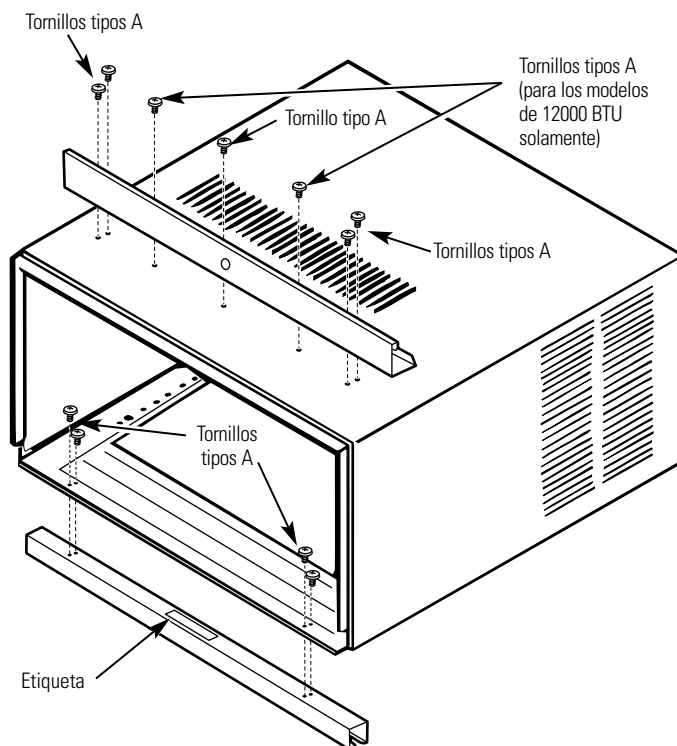
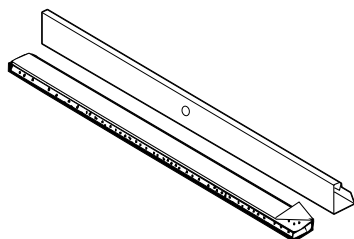
## Instale los rieles de montaje en la caja

**A** Retire el refuerzo de la cinta de sellado del riel de montaje superior y únala a la parte inferior del riel de montaje superior.

**B** Una el riel de montaje superior a la parte superior de la caja con 5 tornillos tipos A (en modelos de 1000 BTU) o 7 tornillos tipos A (en modelos de 12000 BTU).

**C** Una el riel de montaje inferior a la parte inferior de la caja, desde el interior usando 4 tornillos tipos A.

**NOTA:** Refiérase a la etiqueta en el riel de montaje inferior para la orientación apropiada del riel.



# Instrucciones para la instalación en una ventana.

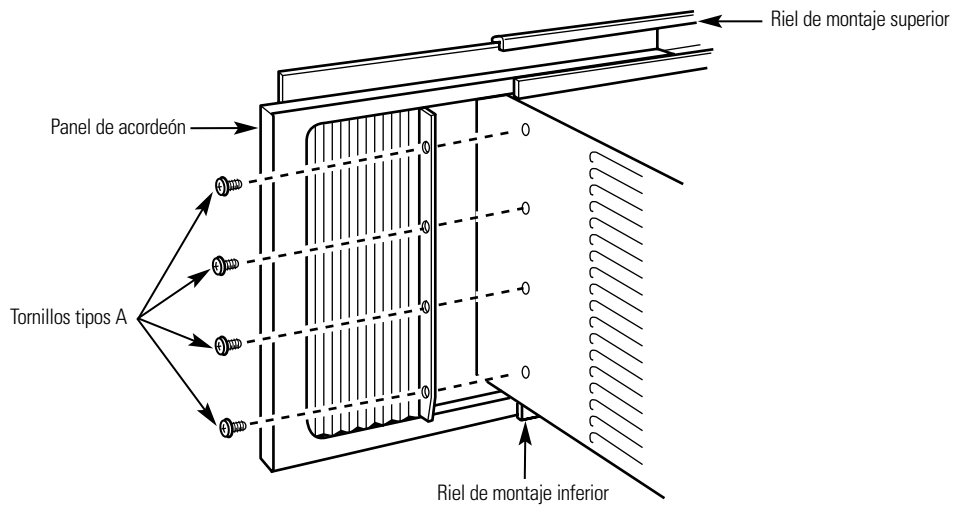
Seguridad

5

## Instale los paneles laterales de acordeón

**A** Deslice los paneles de acordeón izquierdo y derecho en los rieles de montaje superior y inferior.

**B** Una los paneles de acordeón a la caja usando 4 tornillos tipos A en cada lado.



Operación

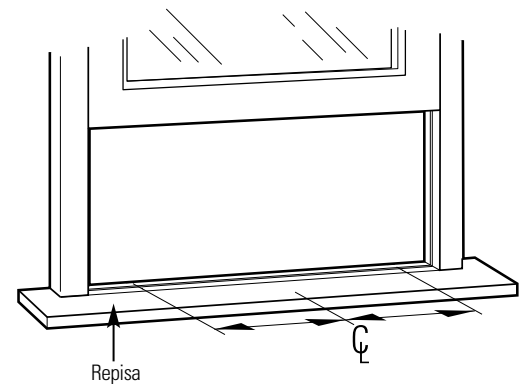
6

## Prepare la ventana

**A** Corte el sello de la banda de la ventana a lo ancho de ésta y pegue la cinta adhesiva en la parte inferior de la banda.

**B** Marque el centro de la repisa de la ventana. Mida y marque los puntos para el montaje de los soportes a ambos lados del centro de la repisa.

Modelos de 10000 BTU – 10 $\frac{3}{8}$ " en cada lado  
Modelos de 12000 BTU – 12 $\frac{1}{2}$ " en cada lado



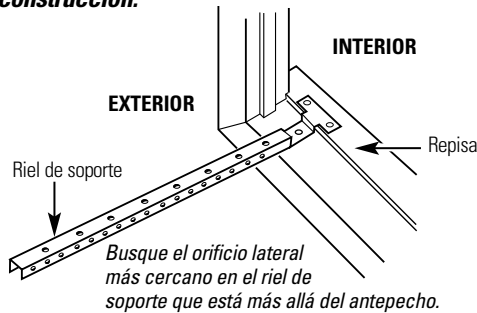
Solucionar problemas

Apoyo al consumidor

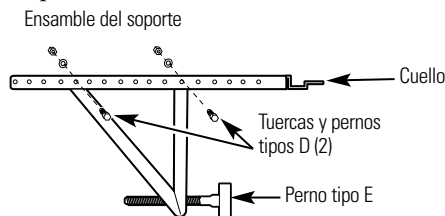
## Coloque, ensamble e instale los soportes

- A** Determine la posición en la que se colocarán el soporte tipo V dentro del riel de soporte, colocando el riel de soporte contra el borde posterior de la repisa.

**NOTA:** Si la pared se extiende más allá del antepecho, busque el orificio lateral más cercano en el riel de soporte que está más allá del antepecho.

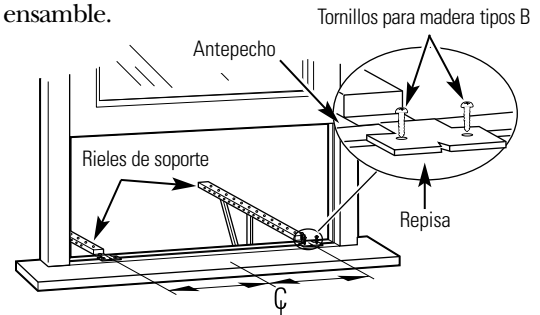


- B** Una el soporte tipo V al riel de soporte usando 2 tuercas tipos D, arandelas y pernos en la posición indicada. La porción más corta del soporte tipo V se debe colocar de frente al cuello del riel de soporte. Repita lo mismo para el segundo soporte tipo V y para el riel de soporte.

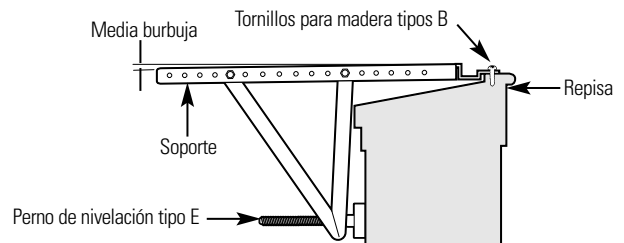


Enrosque un perno tipo E hasta la mitad de la rosca en la cara exterior del ángulo más corto de cada soporte tipo V.

- C** Alinee las muescas en V en los ensambles de soporte sobre las marcas izquierda y derecha de la repisa. Asegúrese de que el riel de soporte esté contra la parte posterior de la repisa y perforo dos orificios piloto de 1/8" (3 mm) en la repisa a través de los orificios del cuello del riel de soporte. Una los ensambles de soporte a la repisa usando 2 tornillos tipos B en cada ensamble.

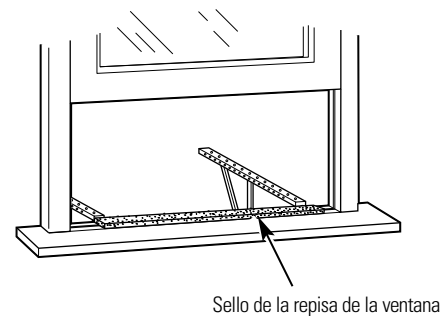


Ajuste los pernos de nivelación tipos E contra la pared exterior de forma que los ensambles tengan una leve inclinación hacia fuera. Use un nivel; aproximadamente media burbuja debe ser la inclinación correcta hacia fuera.



**NOTA:** Use un bloque de madera entre los pernos de nivelación y la pared si la pared es débil o si el peso del acondicionador de aire recae entre los paraleles de la pared.

- D** Pegue la cinta adhesiva del sello de la repisa de la ventana (grueso, con adhesivo en la parte posterior) a la repisa de la ventana.



# Instrucciones para la instalación en una ventana.

Seguridad

Operación

Instalación

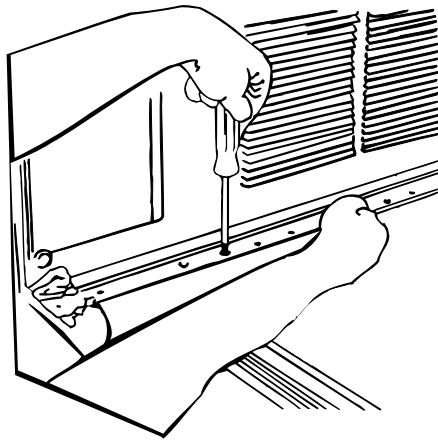
Solucionar problemas

Apoyo al consumidor

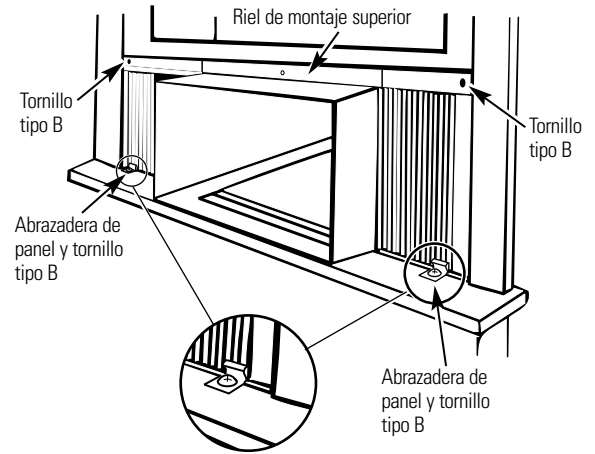
## 8

### Instale la caja en la ventana

- A** Coloque cuidadosamente la caja en la ventana hasta que el riel de montaje inferior descansa en los canales de los soportes. Centre la caja y baje la ventana detrás del riel de montaje superior. La caja se debe inclinar levemente hacia fuera. Use un nivel; media burbuja debe ser la inclinación correcta hacia fuera.
- B** Una la parte inferior de la caja al riel de soporte con cuatro tornillos tipos C, dos en cada lado, con la arandela plana debajo de la cabeza de cada tornillo.



- C** Extienda los paneles de acordeón izquierdo y derecho al marco vertical de la ventana y una las esquinas superiores con dos tornillos tipos B. Use una abrazadera de panel de acordeón en cada esquina inferior para atrapar los paneles. Unalos a la repisa utilizando dos tornillos tipos B.

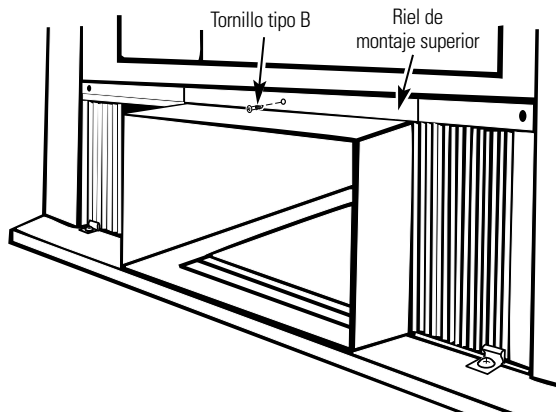


**NOTA:** Selle cualquier abertura alrededor de la caja o de los paneles de acordeón con sellante o con empaques de espuma.

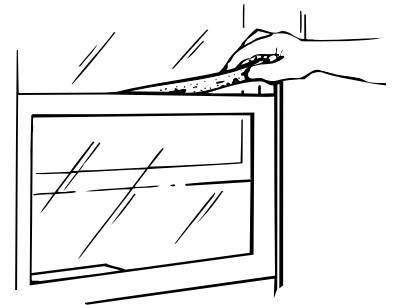
## 9

### Asegure la caja en la ventana e instale el empaque superior de espuma de la ventana

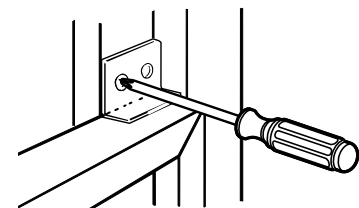
- A** Perfore un orificio piloto de 1/8" (3 mm) y una el riel de montaje superior al marco con un tornillo tipo B.



- B** Corte el empaque superior de espuma de la ventana al ancho de la ventana.
- C** Rellene la espuma entre el cristal y la ventana para evitar que el aire y los insectos entren al cuarto.

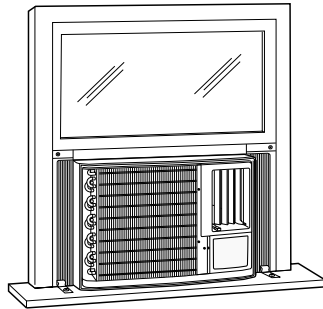


- D** Una el soporte de seguridad de la ventana con un tornillo tipo B.

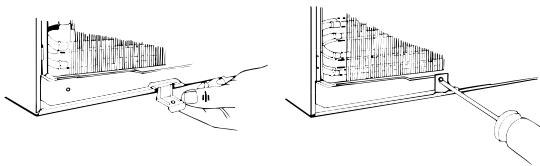


## Instale el acondicionador de aire en la caja

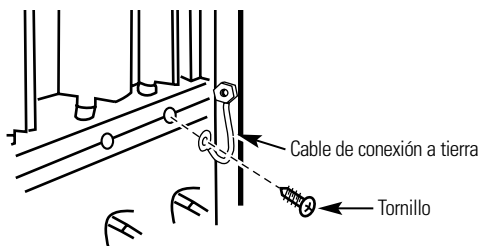
- A** Deslice el acondicionador de aire en la caja. No empuje los controles o las bobinas de aleta. Asegúrese de que el acondicionador de aire esté firmemente asentado.



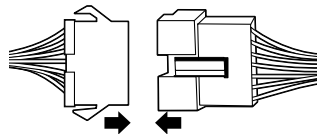
- B** Vuelva a instalar los soportes de seguridad y los tornillos retirados anteriormente.



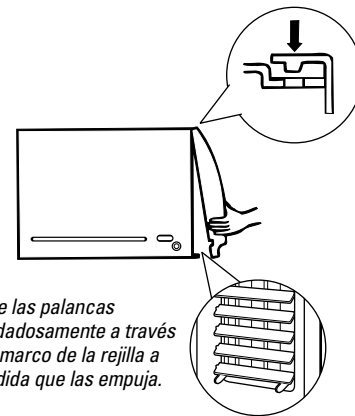
- C** **¡IMPORTANTE!** Vuelva a conectar el cable de conexión a tierra al acondicionador de aire.



- D** Si su modelo tiene los conectores de control, vuelva a conectarlos a la rejilla frontal presionándolos unidos hasta que las lengüetas de seguridad queden en su lugar.

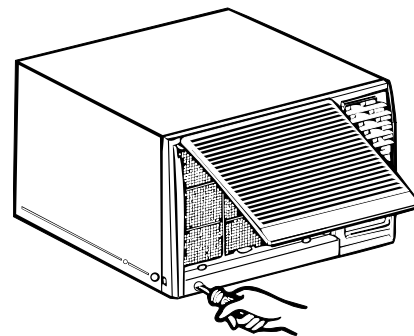


- E** Una la rejilla frontal a la caja insertando las lengüetas en el marco de la rejilla dentro de las ranuras de la pared superior frontal de la caja. Empuje el marco de la rejilla hasta que quede en su lugar alrededor del cable eléctrico en el lado derecho.



*Guíe las palancas cuidadosamente a través del marco de la rejilla a medida que las empuja.*

- F** Asegure el marco de la rejilla frontal en la caja reemplazando los tornillos removidos anteriormente.



- G** Instale el filtro. Enganche la rejilla de entrada en el marco y ciérrelo. Conecte la energía.

# Instrucciones de instalación a través de la pared—opcional.

Seguridad

1

## IMPORTANTE

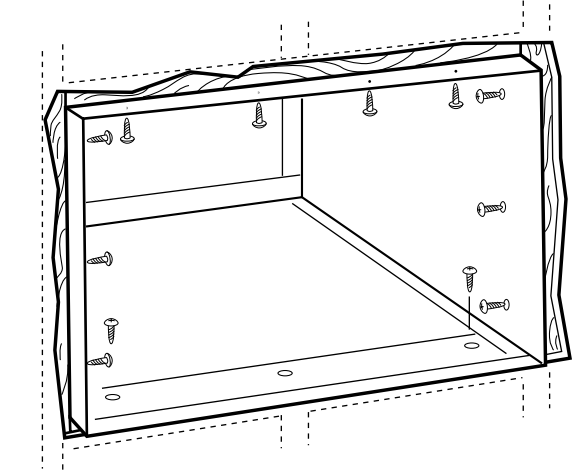
La instalación a través de la pared no es apropiada si alguno de los lados de las persianas fuera obstruido por la pared.

Todas las persianas laterales en la caja deben proyectarse hacia el lado exterior de la pared.

El lado de la habitación en la caja debe proyectarse hacia el interior de la habitación por lo menos 1 $\frac{3}{4}$ " a partir de la pared terminada.

La caja debe instalarse a nivel de lado a lado y con una ligera inclinación desde el frente hacia la parte posterior. Use un nivel; la inclinación de 1/2 de burbuja será la correcta hacia el exterior.

- A** Retire el acondicionador de aire de la caja. Para instrucciones específicas, refiérase a las *Instrucciones de Instalación en una ventana*.
- B** Cerciórese de que existe un tomacorriente disponible cerca del orificio o haga arreglos para que se instale uno.



- C** Coloque la caja en la abertura de la pared y asegúrela con 12 tornillos de madera de 1" #10.

**NOTA:** Taladre los agujeros piloto, si es necesario, para una instalación apropiada. Si el marco es demasiado grande, use cuñas para evitar la distorsión de la caja.

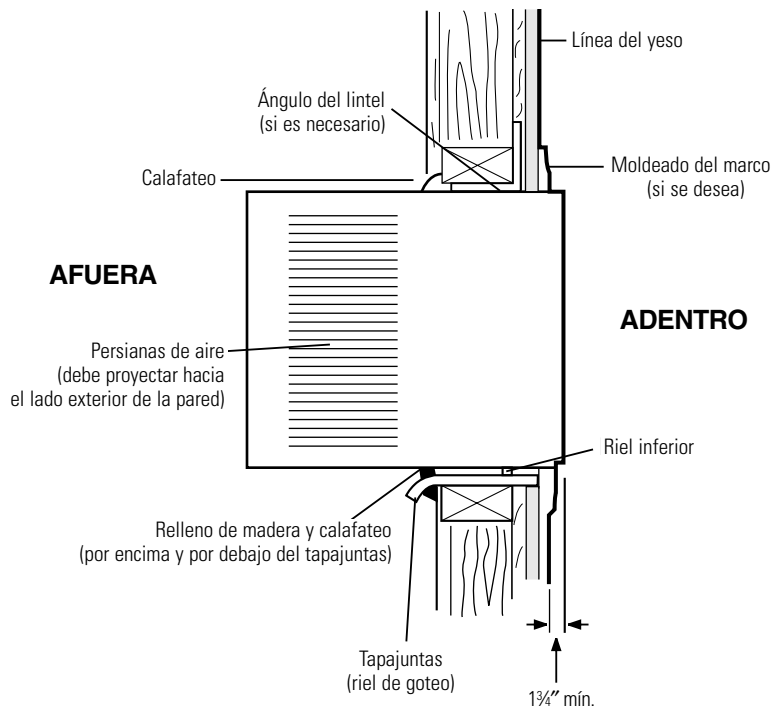
Operación

Instalación

2

## Termine la abertura en la pared

Calafatee los cuatro lados del lado exterior de la caja para evitar que la humedad penetre a través de la abertura en la pared. El uso de tapajuntas (riel de goteo) evitará aún más que el agua gotee hacia el interior de la pared y hacia el exterior de la construcción.



Solucionar problemas

Apoyo al consumidor





*Ideas para la identificación y solución de problemas:*

*¡Ahorre dinero y tiempo! Revise la siguiente tabla primero y quizás no tenga que llamar para solicitar servicio.*

<b>Problema</b>	<b>Causas posibles</b>	<b>Qué hacer</b>
<b>El acondicionador de aire no enciende</b>	El acondicionador de aire está desconectado.	• Cerciórese de que el acondicionador de aire está enchufado totalmente en el tomacorriente.
	El fusible se disparó / el cortacircuitos se disparó.	• Inspeccione los fusibles / caja de interruptores de la casa y reemplace cualquier fusible o reajuste el interruptor.
	Interrupción en el suministro eléctrico.	• Si ocurre una interrupción en el suministro eléctrico, apague el acondicionador de aire. Cuando la energía se restaure, espere 3 minutos para reiniciar el acondicionador de aire para prevenir que se dispare el compresor por sobrecarga.
<b>El acondicionador de aire no enfría como debería</b>	El flujo de aire está restringido.	• Cerciórese de que no existe ninguna cortina, persiana o mueble bloqueando el frente del acondicionador de aire.
	El control de temperatura no está ajustado apropiadamente.	• Gire la temperatura a un número mayor.
	El filtro de aire está sucio.	• Limpie el filtro cada 30 días por lo menos. Ver la sección de <i>Instrucciones de operación</i> .
	La habitación podría haber estado caliente.	• Cuando el acondicionador de aire se enciende, usted necesita darle tiempo para que enfríe la habitación.
	El aire frío se está escapando.	• Cerciórese de que los registros de la calefacción no están abiertos y se encuentran retornando el aire frío. • Coloque la ventanilla del acondicionador de aire en la posición cerrada.
	Las bobinas de enfriamiento se congelaron.	• Ver “ <b>Acondicionador de aire congelándose</b> ” más adelante.
<b>El acondicionador de aire se está congelando</b>	El hielo bloquea el flujo de aire hacia el acondicionador de aire evitando que se enfríe la habitación.	• Coloque el modo de control en <b>HIGH FAN (VENTILADOR ALTO)</b> ó <b>HIGH COOL (FRÍO ALTO)</b> con la temperatura en <b>1</b> ó <b>2</b> .
<b>Hay agua goteando afuera</b>	Tiempo húmedo y caliente.	• Esto es normal.
<b>Hay agua goteando en el interior de la habitación</b>	El acondicionador de aire no está inclinado hacia afuera.	• Para drenar el agua apropiadamente, cerciórese de que el acondicionador de aire está inclinado ligeramente desde el frente hacia atrás.
<b>Se acumula agua en la bandeja</b>	La humedad removida del aire y se drena hasta la bandeja.	• Esto es normal por un corto período en áreas con poca humedad; normal por un período de tiempo más postergado en áreas más húmedas.

## ***Antes de llamar para solicitar servicio...***

---

***Seguridad***

### ***Sonidos de operación normales***

- Quizás escuche un sonido metálico causado por el agua tomada y tirada contra el condensador en los días lluviosos o cuando la humedad es alta. Esta característica de diseño ayuda a remover la humedad y mejora la eficiencia.
- Quizás escuche que el termostato hace clic cuando el compresor hace ciclo entre encendido y apagado.
- El agua se acumula en la bandeja durante días lluviosos o con mucha humedad. El agua podría derramarse y gotear desde el lado externo de la unidad.
- El ventilador podría funcionar aun si el compresor no lo hace.

***Operación***

***Instalación***

***Solucionar problemas***

***Apoyo al consumidor***

**Notas.**

---

<i>Seguridad</i>	<i>Operación</i>	<i>Instalación</i>	<i>Solucionar problemas</i>	<i>Apoyo al consumidor</i>
------------------	------------------	--------------------	-----------------------------	----------------------------

**Notas.**

---

<b>Apoyo al consumidor</b>	<b>Solucionar problemas</b>	<b>Instalación</b>	<b>Operación</b>	<b>Seguridad</b>
----------------------------	-----------------------------	--------------------	------------------	------------------

**Seguridad**

**Operación**

**Instalación**

**Solucionar problemas**

**Apoyo al consumidor**

**Notas.**

---

<b>Apoyo al consumidor</b>	<b>Solucionar problemas</b>	<b>Instalación</b>	<b>Operación</b>	<b>Seguridad</b>
----------------------------	-----------------------------	--------------------	------------------	------------------

# Garantía de su acondicionador de aire.



Todos los servicios de garantía los proporcionan nuestros Centros de Reparación de Fábrica o nuestros técnicos Customer Care® autorizados. Para concertar una cita de reparación, en línea, 24 horas al día, visítenos al [www.GEAppliances.com](http://www.GEAppliances.com), o llame al 800.GE.CARES (800.432.2737).

*Grape aquí su recibo. Se requiere facilitar prueba de la fecha de compra original para obtener un servicio bajo la garantía.*

## Por el período de: **Nosotros reemplazaremos:**

### Un año

A partir de la fecha de la compra original

**Cualquier parte** del acondicionador de aire que falle debido a defectos en los materiales o en la fabricación. Durante este **año completo de garantía**, nosotros también proporcionaremos, **sin costo alguno**, toda la mano de obra y los servicios internos—para reemplazar partes defectuosas.

### Cinco años

A partir de la fecha de la compra original

**Cualquier parte del sistema de refrigeración sellada** (compresor, condensador, evaporador y tuberías de conexión) que fallen debido a defectos en los materiales o fabricación. Durante estos **cuatro años de garantía adicionales**, también proporcionaremos, **sin costo alguno**, toda la mano de obra y los servicios internos para reemplazar partes defectuosas.

## Lo que no está cubierto:

- Viajes de servicio a su casa para mostrarle cómo funciona el equipo.
- Instalación o entrega inapropiada, o mantenimiento impropio. Si usted tiene un problema durante la instalación, o si su acondicionador de aire no tiene la capacidad de enfriamiento que usted necesita, póngase en contacto con nuestro distribuidor o instalador. Usted es responsable de proporcionar las facilidades de conexión eléctrica necesarias.
- Fallo del producto resultante de modificaciones al producto o debido a uso irrazonable incluyendo no proporcionar mantenimiento razonable y necesario.
- En locales comerciales, la mano de obra necesaria para retirar la unidad hacia un lugar para revisión por parte de un técnico individual.
- Reemplazo de fusibles de la casa o reajuste del sistema de circuitos.
- Fallos debido a la corrosión en modelos que no están protegidos contra la corrosión.
- Daño al producto causado por voltaje inapropiado hacia el equipo, accidentes, incendios, inundaciones o actos de la naturaleza de fuerza mayor.
- Daños incidentales o consecuenciales causados por defectos posibles con este acondicionador de aire.
- Daños después de la entrega.

*Esta garantía se extiende al comprador original y cualquier comprador posterior de productos comprados para uso residencial dentro de Estados Unidos. En Alaska, la garantía excluye el costo de envío o las visitas de servicio a su casa.*

*Algunos estados no permiten la exclusión o las limitaciones de daños incidentales o consecuenciales. Esta garantía da derechos legales específicos, y usted podría tener otros derechos que variarán de estado a estado. Para saber cuáles son sus derechos legales, consulte a la oficina de asuntos del consumidor local o la oficina del Attorney General en su localidad.*

**Garante: General Electric Company, Louisville, KY 40225**

Seguridad

Operación

Instalación

Solucionar problemas

Apoyo al consumidor

## Apoyo al Consumidor.

---



### *Página Web de GE Appliances*

[www.GEAppliances.com](http://www.GEAppliances.com)

¿Tiene alguna pregunta sobre su electrodoméstico? ¡Pruebe la página Web de GE Appliances 24 horas al día, cualquier día del año! Para mayor conveniencia y servicio más rápido, ya puede descargar los Manuales de los Propietarios, pedir piezas o incluso hacer una cita en línea para que vengan a realizar una reparación. También puede “Ask Our Team of Experts™” (Preguntar a nuestro equipo de expertos) sobre cualquier cuestión y mucho más...



### *Solicite una reparación*

[www.GEAppliances.com](http://www.GEAppliances.com)

El servicio de expertos GE está a tan sólo un paso de su puerta. ¡Entre en línea y solicite su reparación cuando le venga bien 24 horas al día cualquier día del año! O llame al 800.GE.CARES (800.432.2737) durante horas normales de oficina.



### *Real Life Design Studio (Estudio de diseño para la vida real)* [www.GEAppliances.com](http://www.GEAppliances.com)

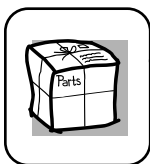
GE apoya el concepto de Diseño Universal—productos, servicios y ambientes que pueden usar gente de todas las edades, tamaños y capacidades. Reconocemos la necesidad de diseñar para una gran gama de habilidades y dificultades físicas y mentales. Para más detalles sobre las aplicaciones de GE Diseño Universal, incluyendo ideas de diseño para la cocina para personas con discapacidades, mire nuestra página Web hoy mismo. Para personas con dificultades auditivas, favor de llamar al 800.TDD.GEAC (800.833.4322).



### *Garantías ampliadas*

[www.GEAppliances.com](http://www.GEAppliances.com)

Compre una garantía ampliada y obtenga detalles sobre descuentos especiales disponibles mientras su garantía está aún activa. Puede comprarla en línea en cualquier momento, o llamar al 800.626.2224 durante horas normales de oficina. GE Consumer Home Services estará aún ahí cuando su garantía termine.

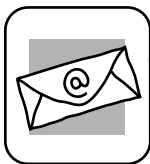


### *Piezas y accesorios*

[www.GEAppliances.com](http://www.GEAppliances.com)

Aquellos individuos con la calificación necesaria para reparar sus propios electrodomésticos pueden pedir que se les manden las piezas o accesorios directamente a sus hogares (aceptamos las tarjetas VISA, MasterCard y Discover). Haga su pedido en línea hoy, 24 horas cada día o llamar por teléfono al 800.626.2002 durante horas normales de oficina.

***Las instrucciones descritas en este manual cubren los procedimientos a seguir por cualquier usuario. Cualquier otra reparación debería, por regla general, referirse a personal calificado autorizado. Debe ejercerse precaución ya que las reparaciones incorrectas pueden causar condiciones de funcionamiento inseguras.***



### *Póngase en contacto con nosotros*

[www.GEAppliances.com](http://www.GEAppliances.com)

Si no está satisfecho con el servicio que recibe de GE, póngase en contacto con nosotros en nuestra página Web indicando todos los detalles así como su número de teléfono o escribanos a:

General Manager, Customer Relations  
GE Appliances, Appliance Park  
Louisville, KY 40225



### *Registre su electrodoméstico*

[www.GEAppliances.com](http://www.GEAppliances.com)

¡Registre su nuevo electrodoméstico en línea—cuando usted prefiera! El registrar su producto a tiempo le proporcionará, si surgiera la necesidad, una mejor comunicación y un servicio más rápido bajo los términos de su garantía. También puede enviar su tarjeta de registro pre-impresa que se incluye en el material de embalaje.