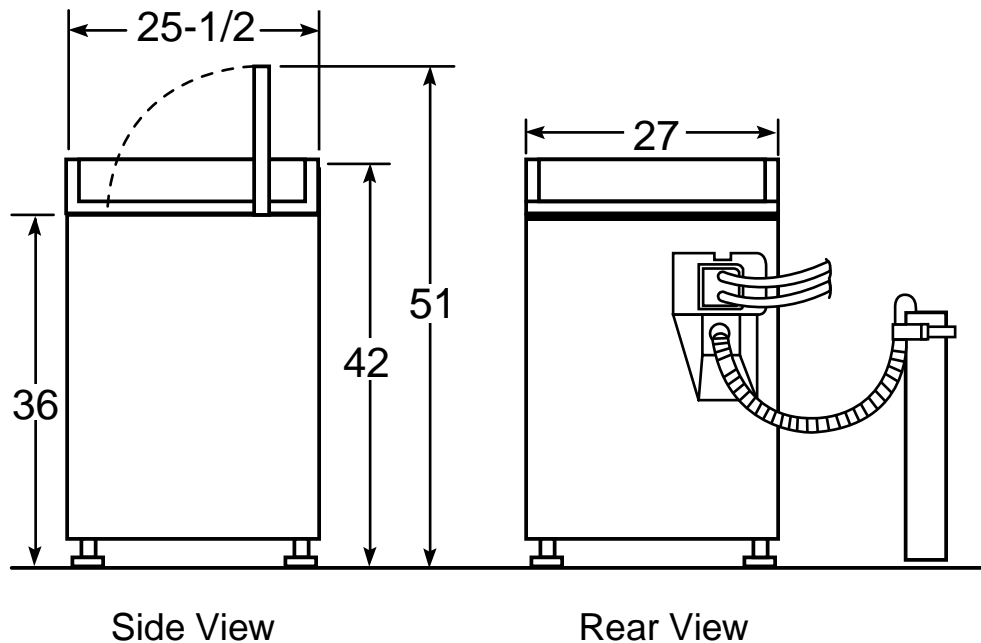


# HOTPOINT

## VVSR1070B—Hotpoint 3.2 Cu. Ft. Super Capacity Washer

### Washer Dimensions (in inches)



**Circuit Requirements:** An individual, properly-grounded branch circuit, with a three-prong grounding-type receptacle, protected by a 15 or 20 amp circuit breaker or a time-delay fuse, is required.

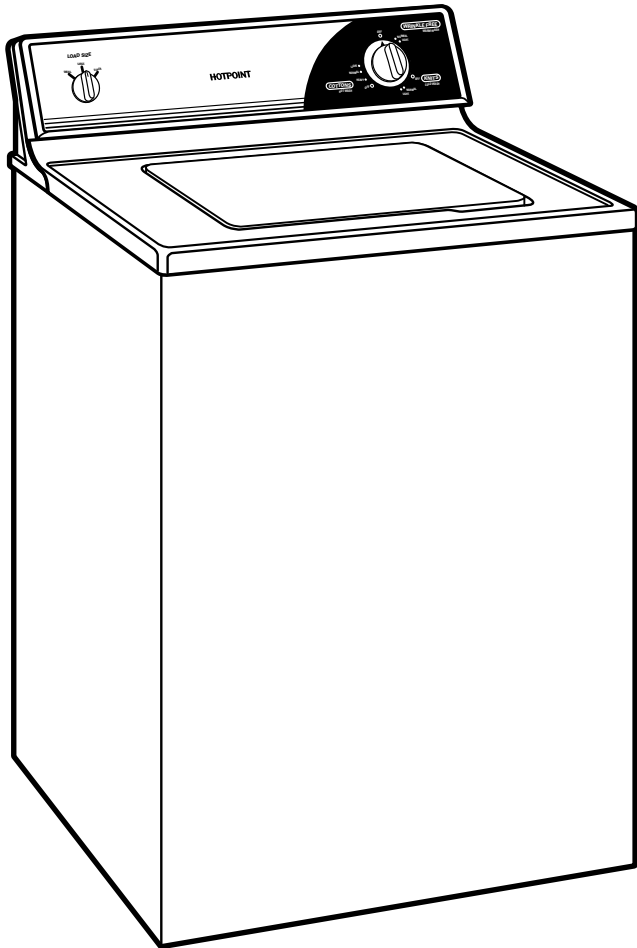
**Electrical Rating:** 115V, 60Hz, 10 Amps

**Installation Information:** Before installing, consult installation instructions packed with product for current dimensional data.

**Washer Note:** Washer wall outlet must be located within 36" of service cord entry. Wall outlet must not be located behind dryer.

# HOTPOINT

## VVSR1070B—Hotpoint 3.2 Cu. Ft. Super Capacity Washer



### Features and Benefits

- Super 3.2 Cu. Ft. Capacity
- 1 Wash/Spin Speed Combination and 3 (Timer) Wash/Rinse Temperature Settings
- 7 Cycles: Cotton Cycle with Heavy Soil, Normal Soil and Light Soil; Wrinkle Free Cycle with Normal Soil and Light Soil; Knits Cycle with Normal Soil and Light Soil
- FlexCare™ Agitator with 3 Water Levels
- TufTub™ Basket
- Quiet-By-Design™ Sound Package
- Front Serviceable
- Model VVSR1070BWW—White on White