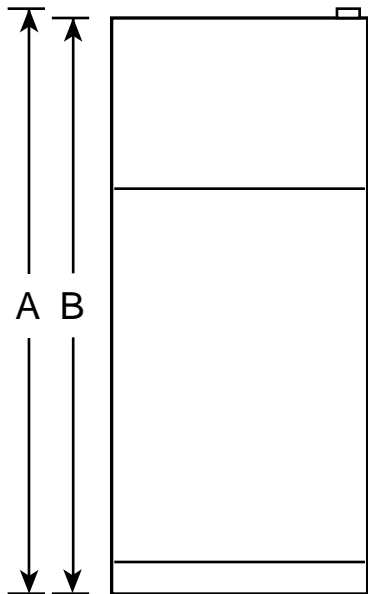


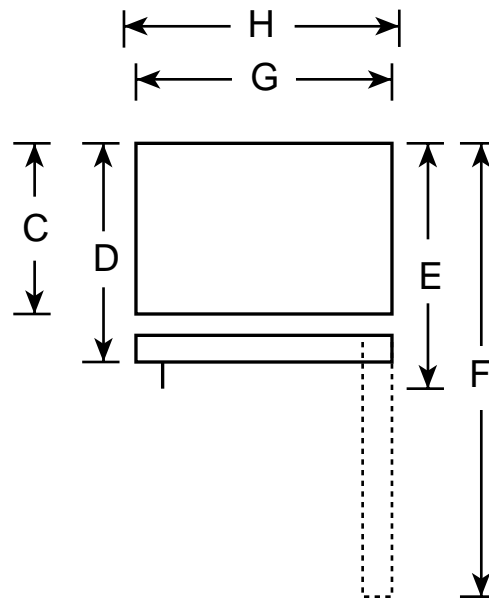
# HOTPOINT

## CTX16CABAA—Top-Mount No-Frost Refrigerator

Front View



Top View



Overall Dimensions	Height with hinge (in.) A	67-1/4
	Height without hinge (in.) B	63-3/4
	Depth without Doors (in.) C	26-1/2
	Depth with Doors (in.) D	29-1/8
	Depth plus Handle with Doors Closed (in.) E	30-7/8
	Depth with Doors open 90° (in.) F	54-3/4
	Width with Doors Closed (in.) G	28
	Width with Doors open 90° Less Door Handles (in.) H	30-1/8
Air Clearances	Each side (in.)	3/4
	Top (in.)	1
	Back (in.)	1

**Note:** Before installing, consult installation instructions packed with product for current dimensional data.



Total volume and shelf area are calculated by the Association of Home Appliance Manufacturers' standards.



Listed by Underwriters Laboratories

# HOTPOINT

## CTX16CABAA—Top-Mount No-Frost Refrigerator



### Features and Benefits

- 16.4 cu ft Capacity (Fresh Food 12.58 cu ft / Freezer 3.86 cu ft)
- 2 Classic White Fruit/Vegetable Crispers
- 2 Adjustable Full-Width Wire Everwhite Fresh Food Cabinet Shelves
- 2 Fresh Food Door Shelves with Tall Bottle Storage
- Dairy Compartment
- 2 Freezer Door Shelves
- Equipped for Optional Automatic Icemaker
- 2 Ice 'n Easy Trays with Ice Tray Shelf
- Color-Matched Door Handles
- Model CTX16CABWW—White on White
- Model CTX16CABAA—Almond on Almond