

Installation Instructions For Outdoor Blower Enclosure

For remote installations of JXBA55 Blower

READ AND SAVE THESE INSTRUCTIONS

Before you begin— Read these instructions completely and carefully.

IMPORTANT: Save these instructions for local inspector's use.

IMPORTANT: OBSERVE ALL GOVERNING CODES AND ORDINANCES.

NOTE TO INSTALLER: Be sure to leave these instructions with the Consumer.

NOTE TO CONSUMER: Keep these instructions with your Use and Care Book for future reference.

WARNING – TO REDUCE THE RISK OF FIRE, ELECTRIC SHOCK OR INJURY TO PERSONS, OBSERVE THE FOLLOWING:

- A. Use this unit only in the manner intended by the manufacturer, if you have questions, contact the manufacturer at the address or telephone number listed in the warranty.
- B. Before servicing or cleaning unit, switch power off at service panel and lock service disconnecting means to prevent power from being switched on accidentally. When the service disconnecting means cannot be locked, securely fasten a prominent warning device, such as a tag, to the service panel.
- C. Installation work and electrical wiring must be done by qualified person(s) in accordance with all applicable codes and standards, including fire rated construction.
- D. Sufficient air is needed for proper combustion and exhausting of gasses through the flue (chimney)

of fuel burning equipment to prevent back drafting. Follow the heating equipment manufacturer's guideline and safety standards such as those published by the National Fire Protection Association (NFPA), and the American Society for Heating, Refrigeration and Air Conditioning Engineers (ASHRAE), and the local code authorities.

E. When cutting or drilling into wall or ceiling, do not damage electrical wiring and other hidden utilities.

F. Ducted fans must always be vented to the outside.

- For General ventilating use only. Do not use to exhaust hazardous or explosive materials and vapors.

CAUTION: To reduce the risk of fire and to properly exhaust air, be sure to duct air outside – do not vent exhaust air into spaces within walls or ceilings or into attics, crawl spaces or garages.

CAUTION: Before beginning installation read the Installation Instructions provided with the Downdraft Vent. Insure that the duct run does not exceed maximum permissible length for the cooking product being installed.

MATERIALS REQUIRED:

(not supplied)

- Approved liquid tight service connections for use between the wire compartment on the base and inside the structure.
- 7 wire nuts or other approved connectors.
- Six 5/16" dia. fasteners compatible with the type of material the base is being fastened.
- 6" round duct, sufficient length to connect the blower to the downdraft vent.
- Electrical cable and connectors, sufficient length to connect the downdraft vent to the remote blower location. 14 gauge min. is recommended, must conform to local codes.

Tools and Materials required:

- Drill with appropriate bits
- Phillips head screwdriver
- Pencil or chalk
- Measuring tape
- Safety glasses

Parts supplied:

- 7 bolts
- 2 nuts
- Damper Assembly

Step 1:

Disassemble into 3 Parts

- Separate the cover from the base assembly by removing 5 screws. Retain screws.
- Separate the outlet panel from the base by removing the 3 screws. Retain screws.
- Remove the spring loaded damper assembly. Remove the 2 nuts and set aside. See Fig. 1.

Step 2:

Install Base to Outside Wall

- The base is designed to be mounted to studs on 16" centers. Use the dimensions in Fig. 2 to determine the location of the ducting and wiring through the wall.
 - Or, place the base against the exterior wall and mark the 6 mounting locations, the 6" duct location and the hole for the wiring. Use a pencil or chalk to mark the locations.
- The bottom of the base assembly must be a minimum of 10" from the ground. There should be no obstructions to the discharge from the damper.
- Cut a 6-1/8" dia. hole in the vertical structure to accommodate a 6" round duct, and a hole for the wiring.
- Drill 6 pilot holes through the wall for the 5/16" fasteners.

CAUTION: When cutting or drilling into a wall or ceiling, do not damage electrical wiring and other hidden utilities. Check for interference with floor joists and stud walls. If necessary, relocate the base to provide a secure installation.

- Place a 6" round duct through the hole extending approximately 3" from the wall to provide a proper seal with the blower. Secure the duct to the building structure to prevent it from being pushed back when the blower is installed.
- Install a liquid tight fitting in the hole of the wire compartment suitable for the wire being used. See Fig. 3.
- Run the electrical wiring from the downdraft vent to the wire compartment on the base assembly.
- With the wire compartment at the lower left corner, mount the base to the structure by installing 5/16" fasteners through the 6 mounting holes. Be sure the fasteners are suitable for the type of material the base is secured to. The 6-1/8" hole in the base must be in line with the ductwork.

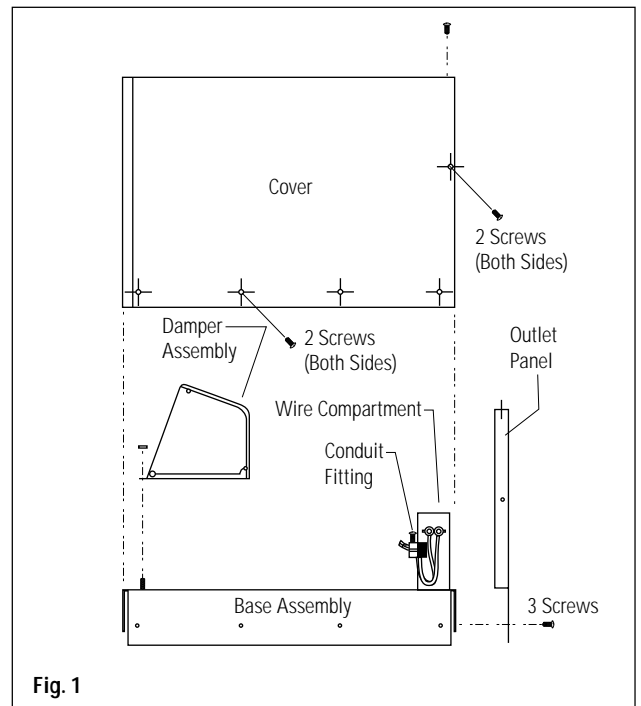


Fig. 1

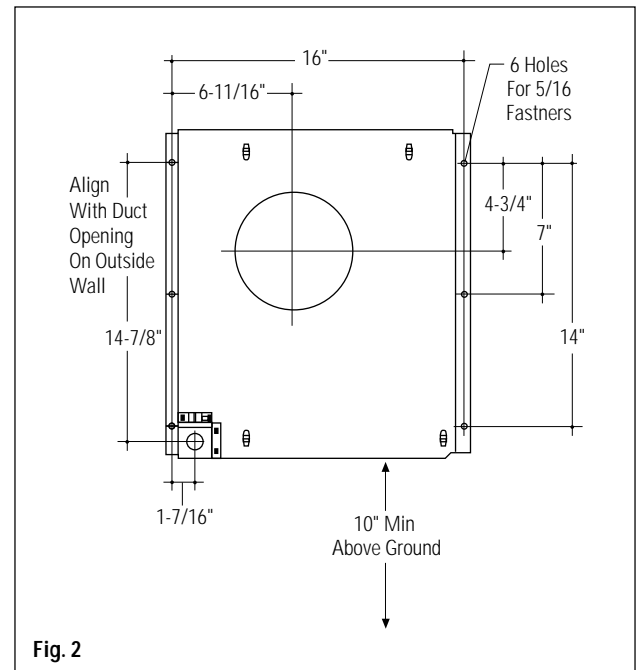


Fig. 2

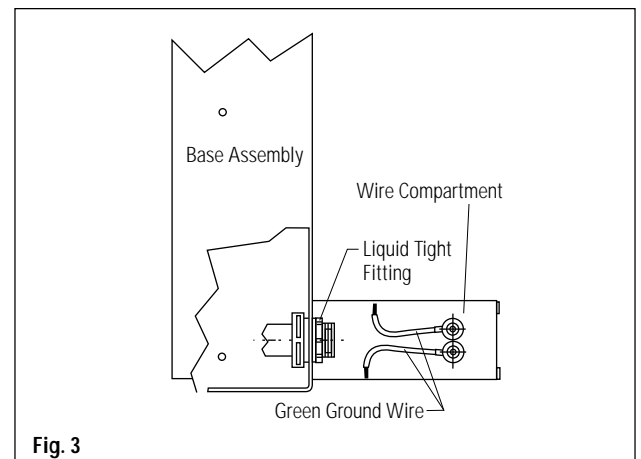


Fig. 3

Step 3:

Install Blower to Base

- Position the blower so that the holes in the back plate fit over the studs on the base.
- Verify that the duct extending through the structure is positioned over the round flange extending from the back plate of the blower. The inbound duct must make contact with the back plate to provide a seal.
- Secure the blower to the base with the four nuts provided.
- Install the remainder of the ductwork to the downdraft vent in the house.

Step 4:

Connect Electrical

- Cut the blower leads approximately 3" from the plug on the end of the blower conduit. See Fig. 4.
- Remove the wire box and conduit fitting from the end of the blower conduit by loosening the screw on the fitting. See Fig. 5.
- Save the wire box and plug to complete the connection at the downdraft vent in the house.
- Use electrical cable and connectors that conform to local codes (14 gauge min. is recommended). Attach the wire box removed from the blower conduit to the end of the wire run at the vent. Attach the plug and 3" leads to the cable at the downdraft vent. Insert the plug into the mating plug on the vent. Attach wire box with screws to the vent.
- Check that the red plastic anti-short bushing is secured in the end of the conduit. Install the blower conduit into the conduit connector on the wire compartment and tighten the screw. See Fig. 6.
- Attach the green ground leads from the wire compartment, connecting one to the green ground lead on the blower and the other to the ground lead of the wiring from the downdraft vent.
- Connect the neutral and power leads from the blower to the leads from the downdraft vent.

Step 5:

Finalize Installation

- Install the outlet panel to the base plate with 3 screws.
- Fasten the damper assembly to the outlet panel with 4 screws.
- Install the cover with 16 screws.

