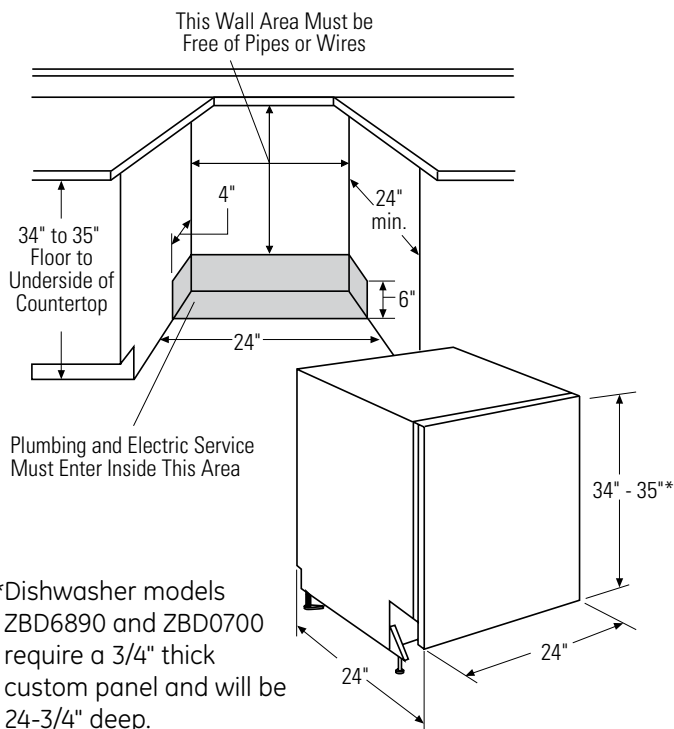


ZBD0710NSS/ZBD0700NII

GE Monogram® Fully Integrated Built-In Dishwasher

Dimensions and Specifications (in inches)

- The dishwasher must be installed so that the drain hose is no more than 10 feet in length for proper drainage.
- Water and power supply should enter in the shaded area.
- Electrical and water connections are at the right front of the dishwasher. The hot water line should extend forward 30" to 40" from the rear wall. The electrical must extend forward at least 24" to reach the junction box.
- To prevent siphoning, an air gap must be used when the waste tee or disposer connection is less than 18" above the floor.



Electrical Requirements

The dishwasher must be supplied with 120V, 60Hz, and connected to an individual properly grounded branch circuit protected by a 15- or 20-amp circuit breaker or time-delay fuse.

For answers to your Monogram®, GE Profile™ or GE® appliance questions, visit our website at ge.com or call GE Answer Center® service, 800.626.2000.



Custom Panel for Model ZBD0700NII

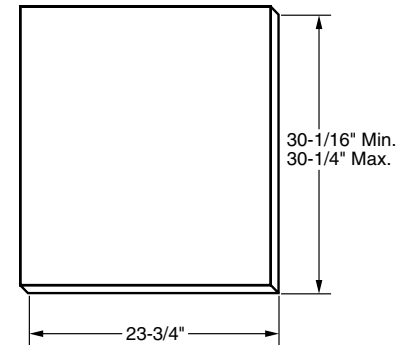
These dishwashers require a field installed 3/4" thick custom panel and custom handle. An installation template is packed with these models and may be obtained in advance. **Order Pub. No. 31-30569-1.** Complete panel installation instructions are included on the template.

CUSTOM PANEL SIZE REQUIREMENTS

HEIGHT

Panel height must be between 30-1/16" and 30-1/4".

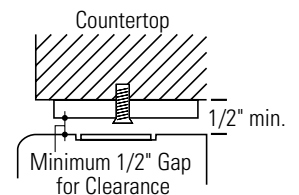
- If the panel height is more than 30-1/4" it will prevent the door from swinging open.
- If the panel height is less than 30-1/16" it will not cover the dishwasher door frame.
- The top of the custom panel must be flush with the top of the door. The 1/2" minimum gap between the top of the door and the bottom of the countertop must be maintained.



WIDTH

Panel width must be 23-3/4".

- If the panel width is less than 23-3/4" it will not cover the dishwasher frame.



IMPORTANT: To ensure optimum door balance performance, the custom panel must not weigh more than 14 lbs.

Accessories for custom panel model ZBD0700

ZPR0700S door panel provides a professional-style handle on a stainless steel door panel.
ZTB700 stainless steel tubular handle for installation onto a custom panel.

Before installing refer to installation instructions for details. Pub. No. 31-30586



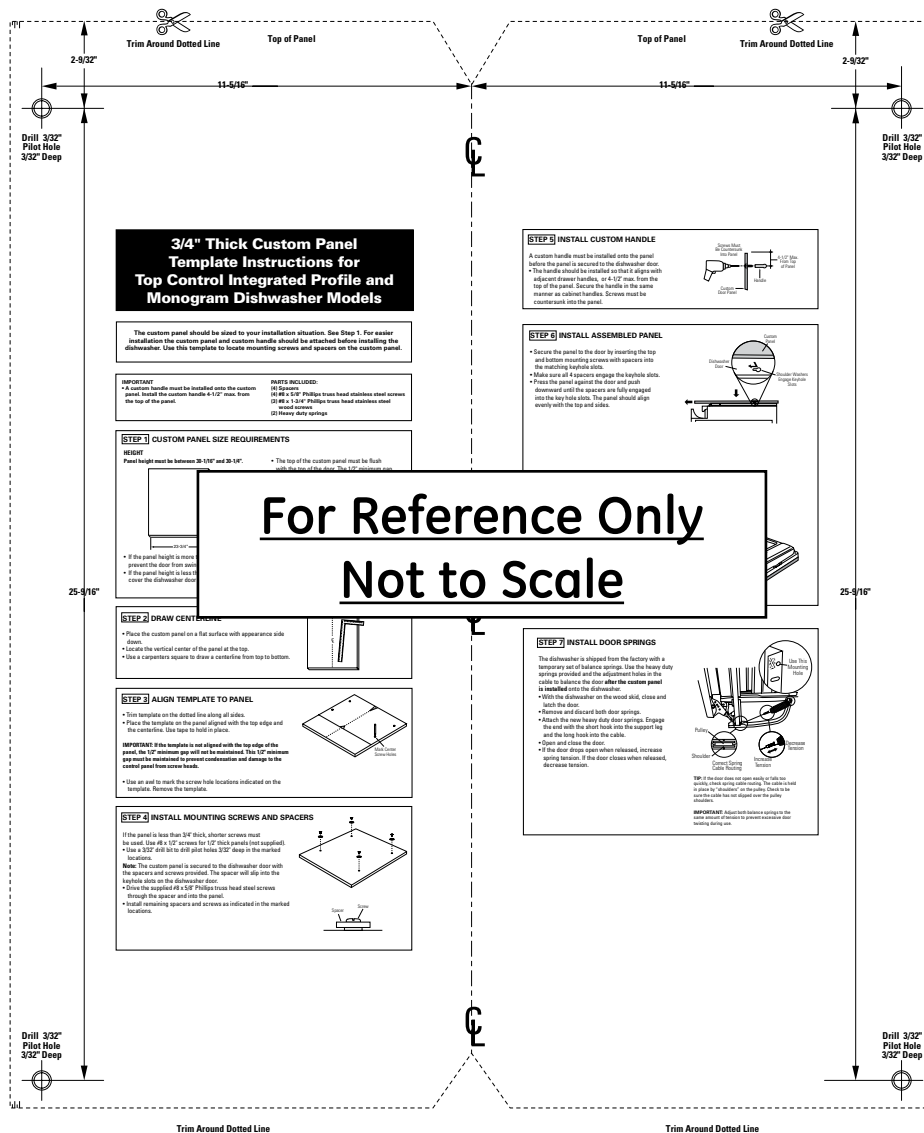
As an ENERGY STAR® partner, GE has determined that this product meets the ENERGY STAR guidelines for energy efficiency.



Listed by Underwriters Laboratories

ZBD0710NSS/ZBD0700NII GE Monogram® Fully Integrated Built-In Dishwasher

Custom Dishwasher Door Panel Template GE PUB. NO. 31-30569-1



Order GE Pub. No. 31-30569-1

CALL 1-800-626-2000

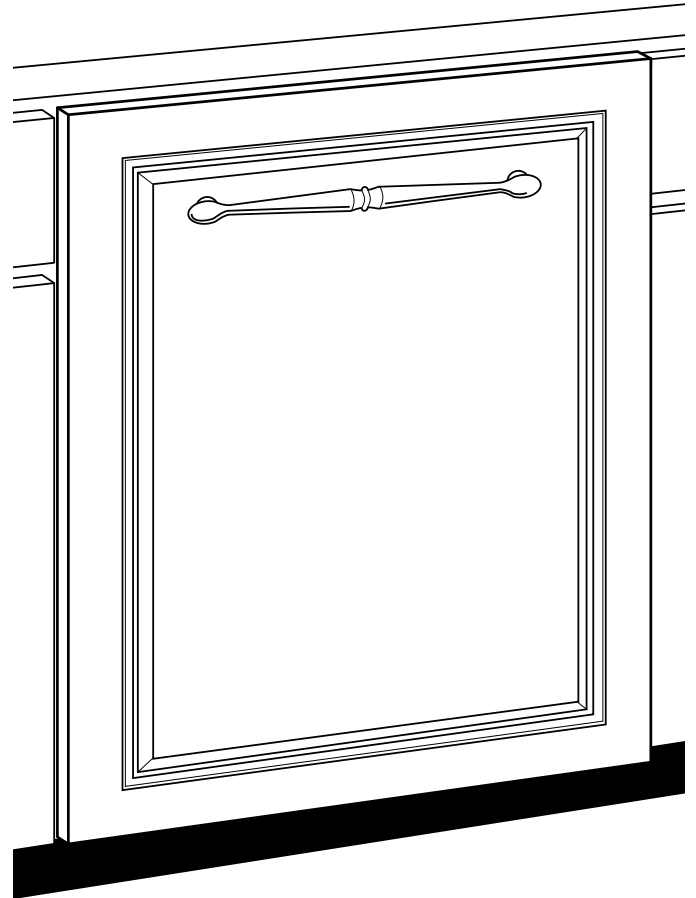
For a full-size panel template with complete panel installation instructions.



ZBD0710NSS/ZBD0700NII GE Monogram® Fully Integrated Built-In Dishwasher

Features and Benefits

- Stainless Steel Interior
- High-intensity Xenon Interior Lighting
- End-of-cycle Indicator Light (ZBD0710NSS Model Only)
- Integrated Controls
- Complete Cleaning Coverage – 3 wash arms, 6 wash levels
- Ultraquiet Operation
- Powerful, Forced-air Drying System
- Extra-tall Tub
- Towerless Adjustable Rack System
- ENERGY STAR® Qualified
- Model ZBD0710NSS – Stainless steel
- Model ZBD0700NII – Requires custom panel
- Accessory: ZPRO0700S – Professional-style stainless steel door panel kit
- Accessory: ZTB700 – Stainless steel tubular handle kit



imagination at work