

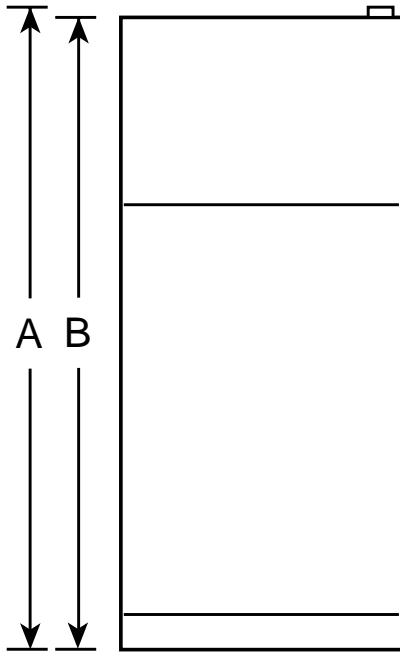


GE Appliances

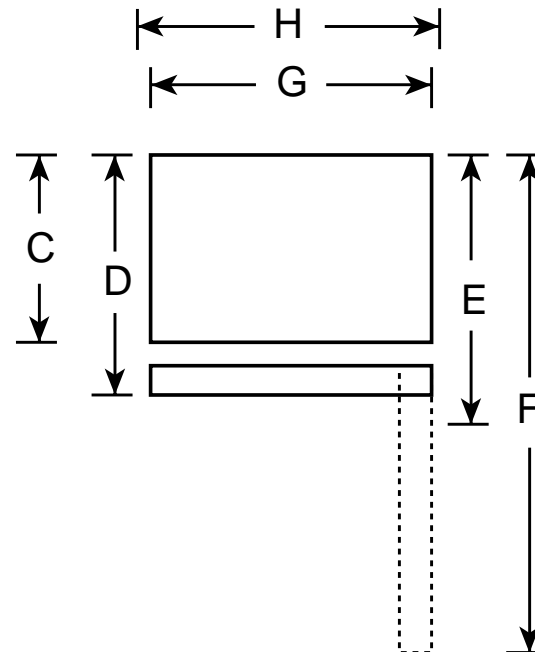
GTS17BBM – GE 16.9 Cu. Ft. Top-Freezer Refrigerator

Dimensions (in inches)

Front View



Top View



Overall Dimensions	Height to top of hinge (in.) A	67-3/8
	Height to top of case (in.) B	66-7/8
	Height to mid-freezer (in.)	57
	Case depth without door (in.) C	26-3/4
	Case depth less door handle (in.) D	30
	Case depth with door handle (in.) E	31-7/8
	Depth with fresh food door open 90° (in.) F	55-3/4
	Width (in.) G	28
Air Clearances	Width with door open 90° less door handle (in.) H	28-5/8
	Each side (in.)	3/4
	Top (in.)	1
	Back (in.)	1



Total volume and shelf area are calculated by the Association of Home Appliance Manufacturers' standards.



Listed by Underwriters Laboratories

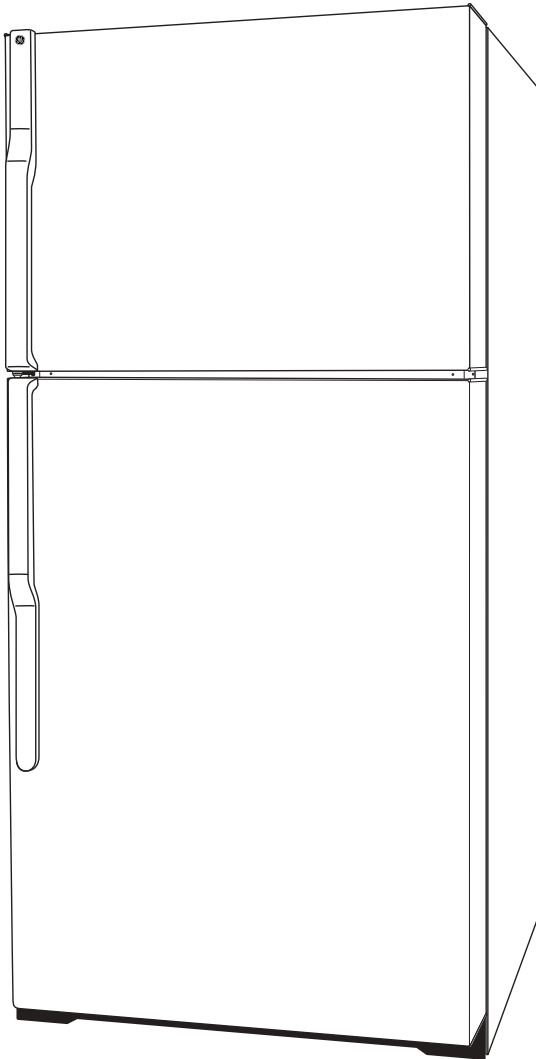
Specification Revised 5/03

For answers to your Monogram®, GE Profile™ or GE® appliance questions, visit our website at GEAppliances.com or call GE Answer Center® service, 800.626.2000.



GE Appliances

GTS17BBM – GE 16.9 Cu. Ft. Top-Freezer Refrigerator



Features and Benefits

- 16.9 cu ft Capacity (Fresh Food 13.05 cu. ft./Freezer 3.86 cu. ft.)
- Equipped for Optional Automatic Ice maker
- 2 Classic White Fruit/Vegetable Crispers
- 2 Full-Width (Adjustable) Wire Everwhite Fresh Food Cabinet Shelves
- 2 Fixed Fresh Food Door Shelves with Tall Bottle Storage
- Dairy Compartment
- 2 Fixed Freezer Door Shelves
- 2 Ice 'N Easy Trays
- Deluxe Quiet Design
- Color-Matched Door Handles
- Model GTS17BBMWW – White on white
- Model GTS17BBMAA – Almond on almond
- Model GTS17BBMCC – Bisque on bisque

Specification Revised 5/03