



## Installation instructions for your new

# Vision-Impaired Washer/Dryer Kit For Washer WNCD2050 and Dryer DNCD450

**Before you begin—Read these instructions completely and carefully.**  
**IMPORTANT—OBSERVE ALL GOVERNING CODES AND ORDINANCES.**

**Note to Installer—Be sure to leave these instructions with the Consumer.**

**Note to Consumer—Keep these instructions with your Owner's Manual for future reference.**

### Parts Included

- Washer and Dryer Overlays
- Braille Reference Keys (2 washer, 2 dryer)
- Use and Care Audio Tape

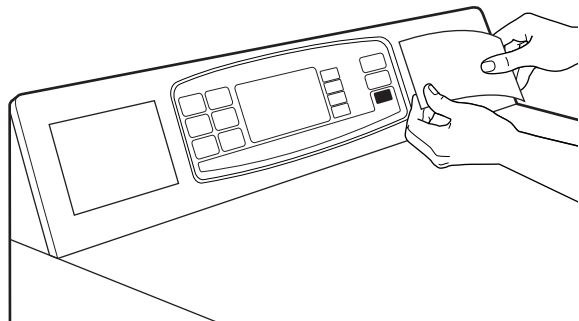
### Tools Needed

- Tape-tipped putty knife (optional)

### Braille Reference Keys

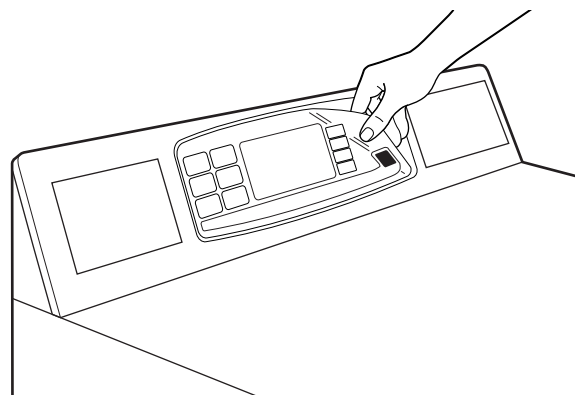
The Braille reference keys included in the kit explain the operation of the washer and dryer. Place the **Left** key on the left side and the **Right** key on the right side of the control panel.

**NOTE:** Make sure the protective film is removed from the washer or dryer control panel before applying the reference keys.



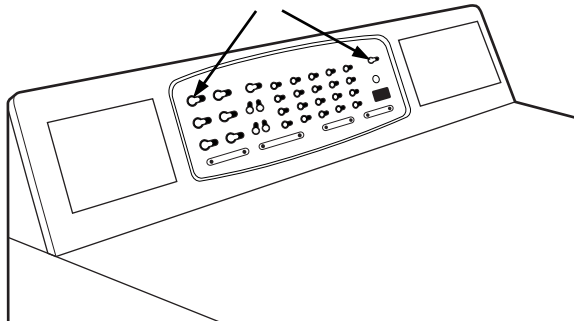
### Removing the Old Button Overlay

1. Unplug the washer or dryer.
2. Carefully peel the old button overlay from the control panel, using a tape-tipped putty knife if necessary. Make sure that excess adhesive is removed from the control panel. Keep the old overlay handy as a reference.

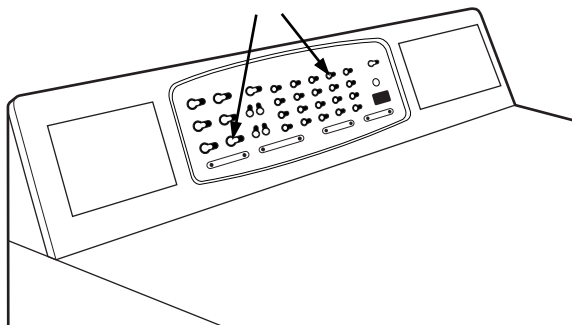


## **Applying the Braille Overlay**

1. Plug the washer or dryer back in.
2. **For washers:** Using the old overlay as a reference, press and hold the **White Cottons** button in the upper left corner and the **Start** button in the upper right corner of the control panel. After 3 seconds, all lights on the control panel will light up.



**For dryers:** Using the old overlay as a reference, press and hold the **Air Dry** button in the lower left and the **High** heat button in the upper right of the control panel. After 3 seconds, all lights on the control panel will light up.



3. Peel the paper backing from the Braille overlay. Starting on one side of the panel, apply the Braille overlay over the buttons, using the lights for alignment. If the overlay does not line up properly so all lights are visible through the overlay, peel it off and reapply. Once the overlay is properly aligned, press firmly around the border to secure it in place.
4. Once the overlay is applied, press **STOP/CANCEL** to turn off the control panel lights.