

# JBS360DM/RT

## GE® ENERGY STAR® 30" Free-Standing Electric Range

### Dimensions and Installation Information (in inches)

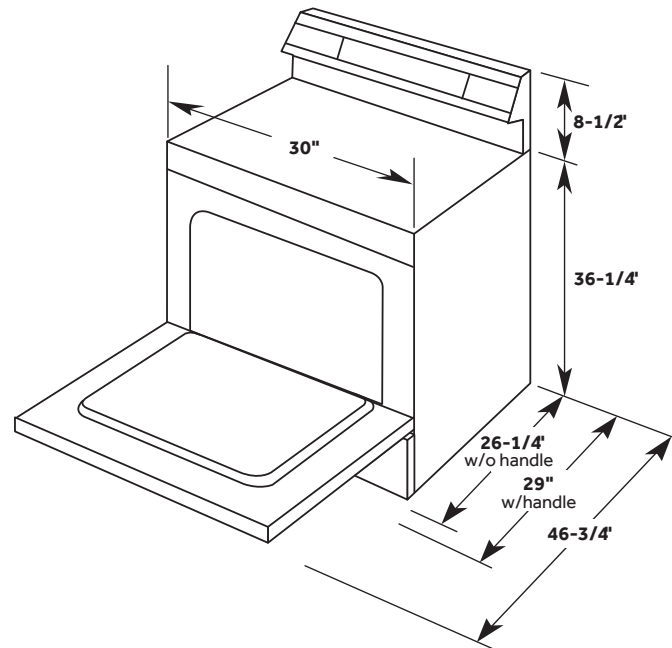
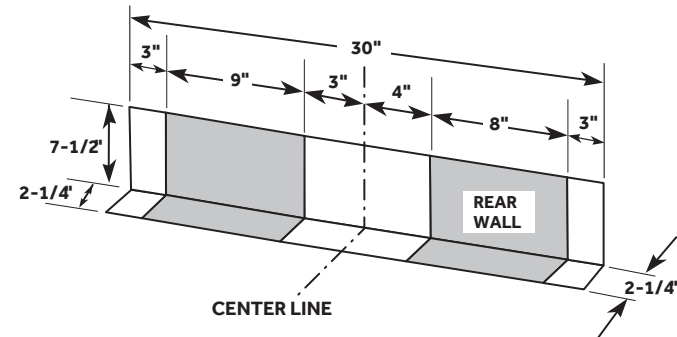
**Receptacle Locations:** Locally approved flexible service cord or conduit must be used because terminals are not accessible after range installation. See shaded area in drawing for location of electrical outlet box. Recommended outlet locations allow range to be installed directly against wall.

**Note:** This appliance has been approved for 0" spacing to adjacent surfaces above the cooktop. However, a 6" minimum spacing to surfaces less than 15" above the cooktop and adjacent cabinet is recommended to reduce exposure to steam, grease splatter and heat.

**Installation Information:** Before installing, consult installation instructions for current dimensional data and additional requirements.

KW Rating	
240V	10.2
208V	7.6
Breaker Size	
240V	40 Amps†
208V	40 Amps†

†Note: Check local codes for required breaker size.



For answers to your Monogram, Café™, GE Profile™ or GE Appliances product questions, visit our website at [geappliances.com](http://geappliances.com) or call GE Answer Center® Service, 800.626.2000.



All GE Appliances ranges are equipped with an Anti-Tip device. The installation of this device is an important, required step in the installation of the range.



Specification Revised 9/24

# JBS360DM/RT

## GE® ENERGY STAR® 30" Free-Standing Electric Range

### Features and Benefits

**5.0 cu. ft. oven capacity** - Cook more dishes at once.

**Standard clean oven** - Smooth surface and rounded corners make clean-up quick and easy.

**Sensi-Temp Technology** - Enjoy the same cooking power as a traditional coil with an added safety feature that meets new UL858 Household Electric Ranges Standard for Safety .

**Electronic clock and timer** - Help cooks coordinate meal preparation and cooking.

**Removable full-width storage drawer** - Store cookware or kitchen accessories.

**Dual-element Bake** - Upper and lower elements produce even heat and great results.

**Model JBS360DMBB** – Black

**Model JBS360DMWW**– White

**Model JBS360RTSS** – Stainless Steel

