

GLD4300LWW/CC/BB

GE® Tall Tub Built-In Dishwasher

Dimensions and Installation Information (in inches)

Electrical Rating

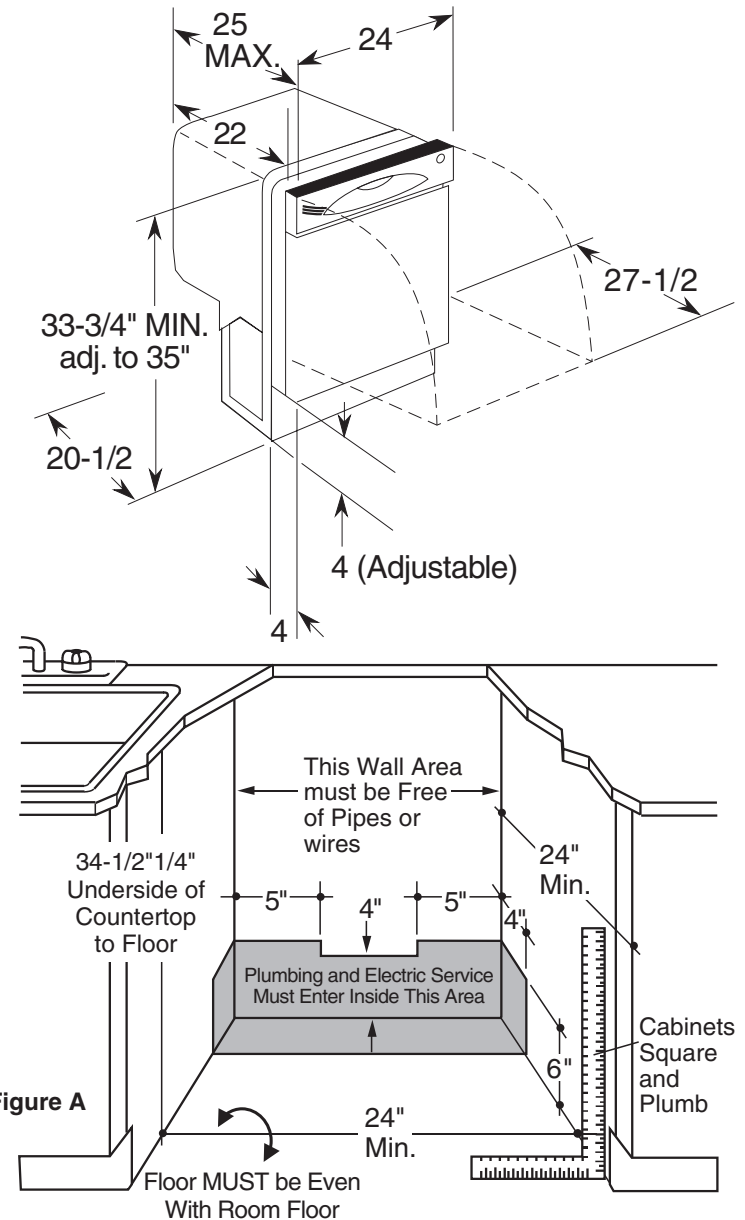
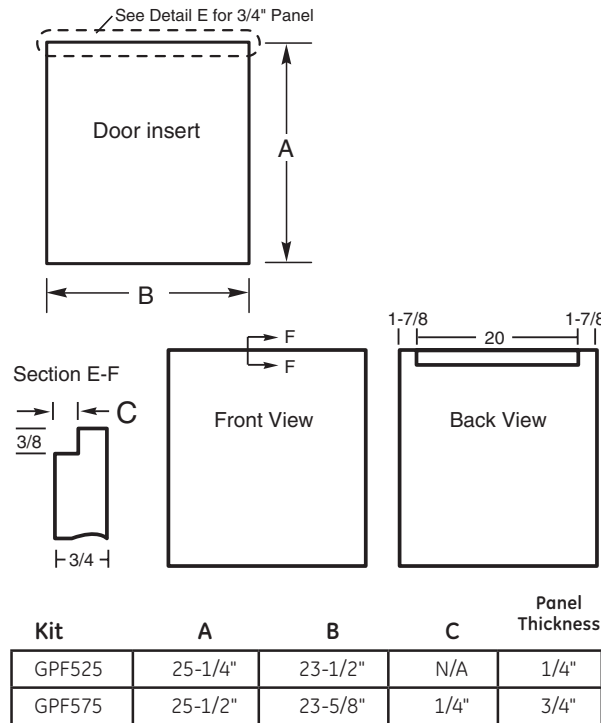
Voltage AC.....	120
Hertz.....	60
Total connected load amperage.....	10
Calrod® heater watts max.....	875

For use on adequately wired 120-volt, 15-amp circuit having 2-wire service with a separate ground wire. This appliance must be grounded for safe operation.

Note: The rough cabinet opening must be at least 24" deep, 24" wide and approximately 34-1/2" high from floor to underside of the countertop. Dishwasher must not be installed more than 10 feet from sink for proper drainage. All plumbing and electrical work must be in accordance with local codes. The power cord and connections must comply with the National Electrical Code Section 422 and/or local codes and ordinances. The cord must be no longer than 6 ft. from the junction box to the receptacle.

Installation Information: Before installing, consult installation instructions packed with product for current dimensional data.

For answers to your Monogram®, GE Profile™ or GE® appliance questions, visit our website at ge.com or call GE Answer Center® service, 800.626.2000.

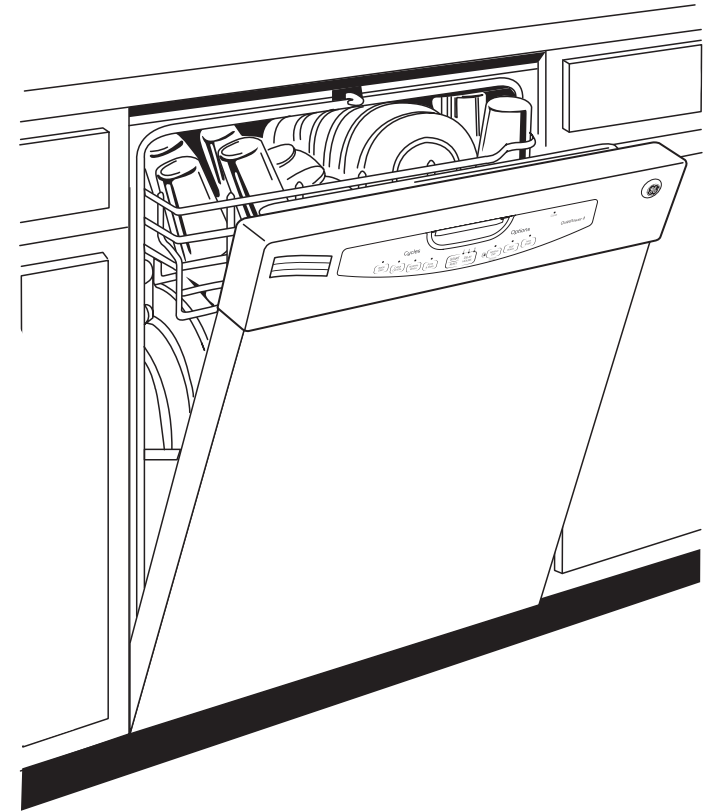


GLD4300LWW/CC/BB

GE® Tall Tub Built-In Dishwasher

Features and Benefits

- Giant Tub with Deluxe Capacity Racking - Washes up to 14 place settings at once
- 4-Level BrilliantClean™ Towerless Wash System - Reduces water and energy needs, with four wash levels and two wash arms that quietly direct water onto dishes for a powerful clean
- 2/4/8 Hour Delay Start - Makes it easier than ever to wash dishes at any hour taking advantage of reduced energy rates or washing dishes even when the family is asleep
- 100% Triple Water Filtration - Keeps food soil from landing back on dishes using a combination of both coarse and fine filters
- QuietPower™ 1 Sound Package - Runs quietly and effectively, with insulation that keeps sound sealed inside
- Child Lock Pad - Easily set to keep children from accidentally starting the dishwasher
- Pots and Pans Cycle - Scours off baked-on food with a wall of water
- China/Crystal Cycle - Protects delicate dishes and glassware by lowering the water temperature during the cycle
- HotStart™ Option - Preheats water before the main wash cycle for dependable performance every time
- Last Cycle Memory - Quickly recalls the last cycle used, starting it at the touch of a button
- Full-Length Flat Door - Blends almost seamlessly with adjacent cabinetry
- Model GLD4300LWW - White on white
- Model GLD4300LCC - Bisque on bisque
- Model GLD4300LBB - Black on black



imagination at work