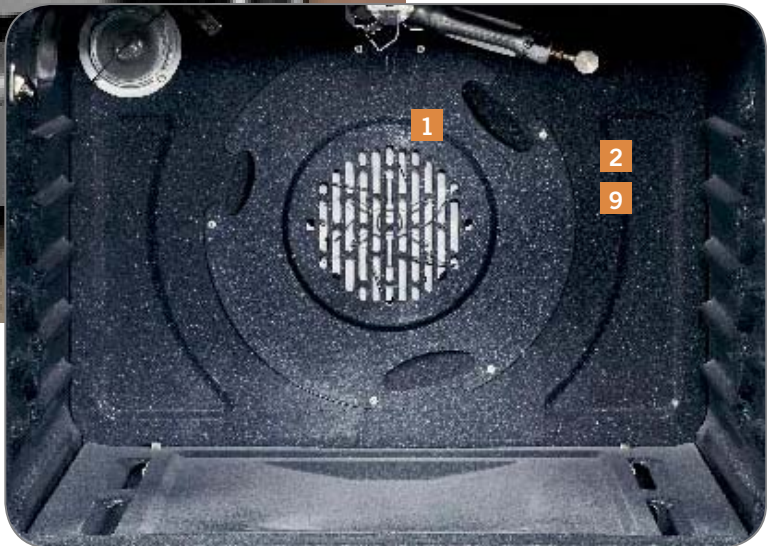


Feature Gallery

Selling Message



Model shown: JGB915SEF





1 Two-speed convection oven
Circulates air throughout the oven ensuring even baking and roasting results.



2 5.0 cu. ft. super-large oven capacity
Gives consumers the room they need to cook large meals.



3 Deep-recessed cooktop
Helps contain spills for easy cleaning.



4 Glass touch controls*
Look great and are easy to clean.

*Traditional QuickSet VI controls on stainless models.



5 Power Boil™ burner
Delivers 15,000 BTUs of forceful heat for rapid boiling.



6 Continuous grates
Allow for easy movement of pots and pans between burners.



7 Warming drawer
Provides variable temperature control for keeping foods warm.



8 Precise Simmer burner
Delivers a low setting of 140°, ideal for delicate foods and sauces.



9 Self-clean oven
Conveniently cleans the oven without the need for scrubbing.



TrueTemp™ system
Provides even heat distribution and maximum oven control.



10 Sealed burners
Eliminates the space between the burners and the cooktop, ensuring easy cleanup.



Certified Sabbath mode
Allows consumers to keep cooked foods warm on the Jewish Sabbath and Jewish holidays.

Free-Standing Gas Ranges



JGB920

GE Profile™ 30" Convection Range

- Gas convection oven
- Extra-large, self-clean oven
- **Gas-on-glass cooktop**
- QuickSet VI glass touch oven controls*
- 15K Power Boil™ burner
- Precise Simmer burner

- JGB920SEFSS
- JGB920TEFWW True White
- JGB920KEFCC True Bisque
- JGB920BEFBB



JGB915

GE Profile 30" Convection Gas Range

- **Gas convection oven**
- Extra-large, self-clean oven
- Deep-recessed cooktop
- **QuickSet VI glass touch oven controls***
- 15K Power Boil burner
- Precise Simmer burner

- JGB915SEFSS
- JGB915WEFWW
- JGB915CEFCC
- JGB915BEFBB

Stainless steel
 True white
 White on white
 True bisque
 Bisque on bisque
 Black on black



J2B915

GE Profile 30" Dual-Fuel Range

- Electric convection oven
- Extra-large, self-clean oven
- Deep-recessed cooktop
- **QuickSet VI glass touch oven controls***
- 15K Power Boil burner
- Precise Simmer burner
- Warming drawer

 J2B915SEHSS

 J2B915WEHWW

 J2B915CEHCC

 J2B915BEHBB



JGB905

GE Profile 30" Range

- Extra-large, self-clean oven
- Deep-recessed cooktop
- QuickSet V oven controls
- 15K Power Boil burner
- Precise Simmer burner
- **Warming drawer**

 JGB905SEFSS

 JGB905WEFWW

 JGB905CEFCC

 JGB905BEFBB

JGB900 (not shown)

Similar to JGB905, except no warming drawer.

 JGB900SEFSS

 JGB900WEFWW

 JGB900CEFCC

 JGB900BEFBB

Free-Standing Gas Ranges



JGBP90

GE® 30" Commercial-Style Range

- Extra-large self-clean oven
- TrueTemp™ system
- QuickSet V oven controls
- High-output burners
- Precise Simmer burner
- Warming drawer
- Continuous grates
- **Professional handle and knobs**

BC JGBP90MEHBC



JGBP85

GE 30" Range

- Extra-large self-clean oven
- Deep-recessed cooktop
- TrueTemp system
- **QuickSet V oven controls**
- 15K PowerBoil™ burner
- Precise Simmer burner
- **Warming drawer**
- Continuous grates

 JGBP85SEJSS

 JGBP85WEJWW

 JGBP85CEJCC

 JGBP85BEJBB



JGBP36

GE 30" Range

Showcase/Contract Sales Exclusive

- Extra-large self-clean oven
- Deep-recessed cooktop
- TrueTemp system
- QuickSet IV oven controls
- 15K PowerBoil burner
- **High-output burner (11,000 BTU)**
- Precise Simmer burner
- **Three oven racks**
- Continuous grates

 JGBP36SEJSS

 JGBP36WEJWW

 JGBP36CEJCC

 JGBP36BEJBB



JGBP35

GE 30" Range

- Extra-large self-clean oven
- **Deep-recessed cooktop**
- TrueTemp system
- QuickSet IV oven controls
- **15K PowerBoil burner**
- Precise Simmer burner
- **Continuous grates**

 JGBP35SEJSS

 JGBP35WEJWW

 JGBP35CEJCC

 JGBP35BEJBB




Free-Standing Gas Ranges



JGBP33

GE® 30" Range

- Extra-large self-clean oven
- TrueTemp system
- **QuickSet IV oven controls**
- **High-output burner (13,000 BTU)**
- **Precise Simmer burner**
- All-purpose burners
- **Medium cast grates**

-  JGBP33SEHSS
-  JGBP33WEHWW
-  JGBP33CEHCC
-  JGBP33BEHBB



JGBP28

GE 30" Range

- Extra-large self-clean oven
- TrueTemp system
- QuickSet III oven controls
- All-purpose burners
- **Sealed cooktop burners**
- Standard grates
- Frameless glass oven door
- **Big ClearView window**



-  JGBP28SEJSS
-  JGBP28WEJWW
-  JGBP28EEJBB
-  JGBP28BEJWH
-  JGBP28BEJCT

 Stainless steel  White on white  Bisque on bisque  Black on black  White/Black  Bisque/Black



JGBP26
GE 30" Range

- Extra-large self-clean oven
- TrueTemp system
- **QuickSet IV oven controls**
- All-purpose burners
- Standard grates
- Frameless glass oven door

-  **JGBP26WEHWW**
-  **JGBP26CEHCC**



JGBP24
GE 30" Range

- Extra-large self-clean oven
- TrueTemp system
- **QuickSet III oven controls**
- All-purpose burners
- Standard grates
- Frameless glass oven door

-  **JGBP24BEHWH**
-  **JGBP24BEHCT**

Free-Standing Gas Ranges



JGBS23
GE® 30" Range

- Extra-large standard-clean oven
- **High-output burner**
- **Precise Simmer burner**
- All-purpose burners
- Sealed cooktop burners
- Electronic clock and timer
- Deluxe grates

- JGBS23SEHSS
- JGBS23WEHWW
- JGBS23CEHCC
- JGBS23BEHBB



JGBS22
GE 30" Range

- Extra-large standard-clean oven
- All-purpose burners
- Sealed cooktop burners
- **Electronic clock and timer**
- Standard grates
- Frameless glass oven door
- **Big ClearView™ Window**

- ◐ JGBS22BEHWH
- ◑ JGBS22BEHCT



JGBS10
GE 30" Range

- Center oval burner
- Non-stick griddle
- Sealed cooktop burners
- All-purpose burners
- Porcelain upswept cooktop
- **Electronic clock**
- Extra-large standard-clean oven
- **Glass door**
- **Drop-down broiler drawer**

- JGBS10WEHWW
- JGBS10CEHCC
- JGBS10BEHBB



JGBS09
GE 30" Range

- **Center oval burner**
- **Non-stick griddle**
- **Sealed cooktop burners**
- All-purpose burners
- Porcelain upswept cooktop
- Easy-clean subtop
- Extra-large standard-clean oven

- JGBS09PEHWW

○ Stainless steel ○ White on white ○ Bisque on bisque ● Black on black ◐ White/Black ◑ Bisque/Black



JGBC20
GE 30" Range

- Extra-large continuous clean oven
- All-purpose burners
- Electronic clock and timer
- Standard grates
- **Frameless glass oven door**
- ClearView window
- Two oven racks

-  JGBC20WEHWW
-  JGBC20CEHCC
-  JGBC20BEHWH
-  JGBC20BEHCT



JGBS20 (not shown)
Similar to JGBC20,
except has an extra-large
standard-clean oven.

-  JGBS20WEHWW
-  JGBS20BEHWH
-  JGBS20BEHCT



JGBS17
GE 30" Range

- Extra-large standard-clean oven
- All-purpose burners
- **Electronic clock and timer**
- Standard grates
- Porcelain oven door
- ClearView window
- Two oven racks
- Upswept cooktop

-  JGBS17PEHWH
-  JGBS17PEHCT



JGBS07
GE 30" Range



- Extra-large standard-clean oven
- All-purpose burners
- Standard grates
- Porcelain oven door
- **ClearView window**
- Two oven racks

-  JGBS07PEHWW
-  JGBS07PEHCC
-  JGBS07PEHBB



JGBS04BEH
GE 30" Range

- Extra-large standard-clean oven
- All-purpose burners
- Standard grates
- **Frameless glass oven door**
- Two oven racks
- Electronic ignition

-  JGBS04BEHWH
-  JGBS04BEHCT

JGBS04PPH (not shown)
Similar to JGBS04, except has a
standard pilot ignition.

-  JGBS04PPHWW
-  JGBS04PPHWH
-  JGBS04PPHCT

30" Self-Clean Gas Ranges

| | GE Profile™ | | | | | GE® | | |
|---|---|---|---|---|---|---|---|---|
| | Sealed Burner Models | | | | Dual-Fuel Model | Sealed Burner Models | | |
| | JGB920SEF JGB920TEF JGB920KEF JGB920BEF | JGB915SEF JGB915WEF JGB915CEF JGB915BEF | JGB905SEF JGB905WEF JGB905CEF JGB905BEF | JGB900SEF JGB900WEF JGB900CEF JGB900BEF | J2B915SEH J2B915WEH J2B915CEH J2B915BEH | JGBP90MEH | JGBP85SEJ JGBP85WEJ JGBP85CEJ JGBP85BEJ | JGBP36SEJ JGBP36WEJ JGBP36CEJ JGBP36BEJ |
| Capacity | | | | | | | | |
| Oven capacity | Super-Large 5.0 cu. ft. | Super-Large 5.0 cu. ft. | Super-Large 5.0 cu. ft. | Super-Large 5.0 cu. ft. | Super-Large 5.0 cu. ft. | Extra-Large 4.8 cu. ft. | Extra-Large 4.8 cu. ft. | Extra-Large 4.8 cu. ft. |
| Features | | | | | | | | |
| Oven cleaning | Self-Clean | Self-Clean | Self-Clean | Self-Clean | Self-Clean | Self-Clean | Self-Clean | Self-Clean |
| | Black True white True bisque Black | | | | | | | |
| Gas on glass ceramic cooktop | | ● | ● | ● | ● | | ● | ● |
| Deep recessed porcelain cooktop | | ● | ● | ● | ● | | ● | ● |
| Cooktop burners | Sealed | Sealed | Sealed | Sealed | Sealed | Sealed | Sealed | Sealed |
| Power Boil™ burner (Nat.) | (1) 15,000 BTU/ 180° Simmer | (1) 15,000 BTU/ 180° Simmer | (1) 15,000 BTU/ 180° Simmer | (1) 15,000 BTU/ 180° Simmer | (1) 15,000 BTU/ 180° Simmer | (1) 15,000 BTU/ 180° Simmer | (1) 15,000 BTU/ 180° Simmer | (1) 15,000 BTU/ 180° Simmer |
| High Output burner (Nat.) | (1) 11,000 BTU/ 150° Simmer | (1) 11,000 BTU/ 150° Simmer | (1) 11,000 BTU/ 150° Simmer | (1) 11,000 BTU/ 150° Simmer | (1) 11,000 BTU/ 150° Simmer | (2) 12,000/ 1,000 BTU | (1) 11,000 BTU/ 150° Simmer | (1) 11,000 BTU/ 150° Simmer |
| Precise Simmer burner (Nat.) | (1) 5,000 BTU/ 140° Simmer | (1) 5,000 BTU/ 140° Simmer | (1) 5,000 BTU/ 140° Simmer | (1) 5,000 BTU/ 140° Simmer | (1) 5,000 BTU/ 140° Simmer | (1) 5,000/600 BTU | (1) 5,000 BTU/ 140° Simmer | (1) 5,000 BTU/ 140° Simmer |
| All-purpose burners (Nat.) | (1) 9,100 BTU/ 150° Simmer | (1) 9,100 BTU/ 150° Simmer | (1) 9,100 BTU/ 150° Simmer | (1) 9,100 BTU/ 150° Simmer | (1) 9,100 BTU/ 150° Simmer | (1) 9,500/850 BTU | (1) 9,100 BTU/ 150° Simmer | (1) 9,100 BTU/ 150° Simmer |
| Valves (degree of turn) | 270 | 270 | 270 | 270 | 270 | 270 | 270 | 270 |
| TrueTemp™ system | ● | ● | ● | ● | ● | ● | ● | ● |
| Electronic controls | ● | ● | ● | ● | ● | ● | ● | ● |
| Convection bake/roast | ● | ● | ● | ● | Electric | ● | ● | ● |
| QuickSet oven controls | QuickSet VI glass touch† | QuickSet VI glass touch† | QuickSet V | QuickSet V | QuickSet VI glass touch† | QuickSet V | QuickSet V | QuickSet IV |
| Auto Self-Clean | ● | ● | ● | ● | ● | ● | ● | ● |
| Electronic oven control | ● | ● | ● | ● | ● | ● | ● | ● |
| Hi/Low broil | ● | ● | ● | ● | ● | ● | ● | ● |
| Electronic clock and timer | ● | ● | ● | ● | ● | ● | ● | ● |
| Automatic oven timer | ● | ● | ● | ● | ● | ● | ● | ● |
| Audible preheat signal | ● | ● | ● | ● | ● | ● | ● | ● |
| Oven meat probe | ● | ● | ● | ● | ● | ● | ● | ● |
| Auto oven shut-off | ● | ● | ● | ● | ● | ● | ● | ● |
| Certified Sabbath mode | ● | ● | ● | ● | ● | ● | ● | ● |
| Auto Recipe™ conversion | ● | ● | ● | ● | ● | ● | ● | ● |
| Control lock capability | ● | ● | ● | ● | ● | ● | ● | ● |
| One-piece upswept cooktop | Porc.-Enam. | Porc.-Enam. | Porc.-Enam. | Porc.-Enam. | Porc.-Enam. | Porc.-Enam. | Porc.-Enam. | Porc.-Enam. |
| Porcelain-enameled one-piece drip pans | | | | | | Black | | |
| Removable grates | Matte Black Hvy.-Cast Grey Hvy.-Cast Taupe Hvy.-Cast Black Hvy.-Cast | Matte Black Hvy.-Cast Grey Hvy.-Cast Taupe Hvy.-Cast Black Hvy.-Cast | Matte Black Hvy.-Cast Grey Hvy.-Cast Taupe Hvy.-Cast Black Hvy.-Cast | Matte Black Hvy.-Cast Grey Hvy.-Cast Taupe Hvy.-Cast Black Hvy.-Cast | Matte Black Hvy.-Cast Grey Hvy.-Cast Taupe Hvy.-Cast Black Hvy.-Cast | Matte Black Hvy.-Cast Grey Hvy.-Cast Taupe Hvy.-Cast Black Hvy.-Cast | Matte Black Hvy.-Cast Grey Hvy.-Cast Taupe Hvy.-Cast Black Hvy.-Cast | Matte Black Med.-Cast Grey Medium-Cast Taupe Medium-Cast Black Medium-Cast |
| Continuous grates | Dishwasher-safe | Dishwasher-safe | Dishwasher-safe | Dishwasher-safe | Dishwasher-safe | ● | Dishwasher-safe | Dishwasher-safe |
| Ignition system | Electronic | Electronic | Electronic | Electronic | Electronic | Electronic | Electronic | Electronic |
| Oven racks | 3 | 3 | 2 | 2 | 3 | 2 | 2 | 3 |
| Six embossed rack positions | ● | ● | ● | ● | ● | ● | ● | ● |
| Broiler pan | ● | ● | ● | ● | ● | ● | ● | ● |
| Scratch-resistant backguard | Stainless steel Glass | Stainless steel Glass | Stainless steel Porc.-Enam. | Stainless steel Porc.-Enam. | Stainless steel Glass | Soft Stainless | Stainless steel Porc.-Enam. | Porc.-Enam. |
| Interior oven light | ● | ● | ● | ● | ● | ● | ● | ● |
| Warming drawer | 450 Watt | 450 Watt | 450 Watt | ● | 450 Watt | 450 Watt | 450 Watt | ● |
| Electronic control | ● | ● | ● | ● | Knob | ● | ● | ● |
| Temp. settings | (low, med, high) | (low, med, high) | (low, med, high) | ● | Infinite | (low, med, high) | (low, med, high) | ● |
| Stainless steel insert | ● | ● | ● | ● | ● | ● | ● | ● |
| In-oven broiling | ● | ● | ● | ● | ● | ● | ● | ● |
| Appearance | | | | | | | | |
| Color appearance* | SS/WW/CC/BB | SS/WW/CC/BB | SS/WW/CC/BB | SS/WW/CC/BB | SS/WW/CC/BB | BC | SS/WW/CC/BB | SS/WW/CC/BB |
| | Stainless steel White Glass Bisque Glass Black Glass | Stainless steel White Glass Bisque Glass Black Glass | Stainless steel White Glass Bisque Glass Black Glass | Stainless steel White Glass Bisque Glass Black Glass | Stainless steel White Glass Bisque Glass Black Glass | Stainless steel White Glass Bisque Glass Black Glass | Stainless steel White Glass Bisque Glass Black Glass | Stainless steel White Glass Bisque Glass Black Glass |
| Frameless oven door | ● | ● | ● | ● | ● | Soft Stainless | ● | ● |
| Oven door with window | Big ClearView™ | Big ClearView | Big ClearView | Big ClearView | Big ClearView | Big ClearView | Big ClearView | Big ClearView |
| Oven door handle | Sculptured | Sculptured | Sculptured | Sculptured | Sculptured | Professional-Style | Designer-style | Designer-style |
| Weights & Dimensions | | | | | | | | |
| Overall oven interior dimensions (WxHxD in inches) | 24 x 19 x 19 | 24 x 19 x 19 | 24 x 19 x 19 | 24 x 19 x 19 | 24 x 19 x 19 | 24 x 18.5 x 19 | 24 x 18.5 x 19 | 24 x 18.5 x 19 |
| Approx. shipping weight (lbs.) | 250 SS 245 WW/CC/BB | 235 SS 230 WW/CC/BB | 235 SS 230 WW/CC/BB | 220 SS 215 WW/CC/BB | 235 SS 230 WW/CC/BB | 230 | 220 | 210 |
| Power/Ratings | | | | | | | | |
| Top burners (000's BTU's) Nat/LP | (1) 15.0/11.0 (1) 11.0/9.1 (1) 5.0/5.0 (1) 9.1/9.1 | (1) 15.0/11.0 (1) 11.0/9.1 (1) 5.0/5.0 (1) 9.1/9.1 | (1) 15.0/11.0 (1) 11.0/9.1 (1) 5.0/5.0 (1) 9.1/9.1 | (1) 15.0/11.0 (1) 11.0/9.1 (1) 5.0/5.0 (1) 9.1/9.1 | (1) 15.0/11.0 (1) 11.0/9.1 (1) 5.0/5.0 (1) 9.1/9.1 | (2) 12.0/11.0 (1) 5.0/5.0 (1) 9.5/9.5 | (1) 15.0/11.0 (1) 11.0/10.0 (1) 5.0/5.0 (1) 9.1/9.1 | (1) 15.0/11.0 (1) 11.0/10.0 (1) 5.0/5.0 (1) 9.1/9.1 |
| Oven/broiler burners (000's BTU's) Nat/LP | ← 16.0/16.0 Oven 13.5/12.0 Broil → | | | | | ← 16.0/16.0 Oven 12.5/12.0 Broil → | | |
| Dual fuel range electrical rating | | | | | 208/240V, 60Hz, 40A | | | |
| Gas range electrical rating | ← 120V, 60Hz, 9A → | | | | 120V, 60Hz, 5A | 120V, 60Hz, 9A | 120V, 60Hz, 9A | 120V, 60Hz, 5A |
| LP conversion kit (included) | ● | ● | ● | ● | ● | ● | ● | ● |

*SS = Stainless steel with black accents, BC = Soft stainless with black accents, WW = White with white glass door, CC = Bisque with bisque glass door, BB = Black with black glass door.

Factory set for Natural Gas. A set of LP orifices is included with each range for LP conversion.

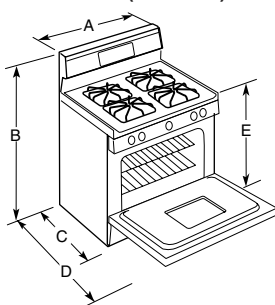
† = Stainless steel models feature traditional QuickSet controls.

30" Self-Clean Gas Ranges (continued)

| | GE | | | | |
|--|---|---|---|---|------------------------|
| | Sealed Burner Models | | | Standard Burner Models | |
| | JGBP35SEJ JGBP35WEJ JGBP35CEJ JGBP35BEJ | JGBP33SEH JGBP33WEH JGBP33CEH JGBP33BEH | JGBP28SEJ JGBP28WEJ JGBP28EEJ JGBP28BEJ | JGBP26WEH JGBP26CEH | JGBP24BEH |
| Capacity | | | | | |
| Extra-large 4.8 cu. ft. oven | • | • | • | • | • |
| Features | | | | | |
| Oven cleaning | Self-Clean | Self-Clean | Self-Clean | Self-Clean | Self-Clean |
| Deep recessed porcelain cooktop | • | | | | |
| Cooktop burners | Sealed | Sealed | Sealed | Standard/Twin | Standard/Twin |
| Power Boil™ burner (Nat.) | (1) 15,000 BTU/ 180° Simmer | | | | |
| High Output burner (Nat.) | | (1) 13,000/ 1,000 BTU | | | |
| Precise Simmer burner (Nat.) | (1) 5,000 BTU 140° Simmer | (1) 5,000/600 BTU | | | |
| All-purpose burners (Nat.)(f) | (2) 9,100 BTU/ 150° Simmer | (2) 9,500/850 BTU | (4) 9,500/850 BTU | (4) 9,100/850 BTU | (4) 9,100/850 BTU |
| Valves (degree of turn) | 270 | 270 | 140 | 270 | 270 |
| TrueTemp™ system | • | • | • | • | • |
| Electronic controls | • | • | • | • | • |
| QuickSet oven controls | QuickSet IV | QuickSet IV | QuickSet III | QuickSet IV | QuickSet III |
| Auto Self-Clean | • | • | • | • | • |
| Electronic clock and timer | • | • | • | • | • |
| Automatic oven timer | • | • | • | • | • |
| Audible preheat signal | • | • | • | • | • |
| Auto oven shut-off | • | • | • | • | • |
| Certified Sabbath mode | • | • | • | • | • |
| One-piece upswept cooktop | Porc.-Enam. | Porc.-Enam. | Porc.-Enam. | Porc.-Enam. | Porc.-Enam. |
| Lift-up cooktop | | | | • | • |
| Easy-clean subtop | | | | Porc.-Enam. | Porc.-Enam. |
| Porcelain-enameled one-piece drip pans | | Black Grey Taupe Black | Opt. Access. | Chrome Chrome | Opt. Access. |
| Removable grates | Matte Black Med.-Cast Grey Medium-Cast Taupe Medium-Cast Black Medium-Cast | Black Medium-Cast Grey Medium-Cast Taupe Medium-Cast Black Medium-Cast | Black Std. Porc.-Steel Grey Std. Porc.-Steel Black Std. Porc.-Steel Black Std. Porc.-Steel | Grey Std. Porc.-Steel Taupe Std. Porc.-Steel | Black Std. Porc.-Steel |
| Continuous grates | Dishwasher-safe | | | | |
| Square grates | • | • | • | • | • |
| Ignition system | Electronic | Electronic | Electronic | Electronic | Electronic |
| Oven racks | 2 | 3 | 2 | 2 | 2 |
| Six embossed rack positions | • | • | • | • | • |
| Broiler pan | • | • | • | • | • |
| Scratch-resistant backguard | Porc.-Enam. | Porc.-Enam. | Porc.-Enam. | Porc.-Enam. | Porc.-Enam. |
| Interior oven light | • | • | • | • | • |
| Storage drawer | • | • | • | • | • |
| In-oven broiling | • | • | • | • | • |
| Appearance | | | | | |
| Color appearance* | SS/WW/CC/BB | SS/WW/CC/BB | SS/WW/BB/WH/CT | WW/CC | WH/CT |
| | Stainless steel White Glass Bisque Glass Black Glass | Stainless steel White Glass Bisque Glass Black Glass | Stainless steel White Glass Black Glass Black Glass | White Glass Bisque Glass ClearView | Solid Black Glass |
| Frameless oven door | | | | | |
| Oven door with window | Big ClearView | Big ClearView | Big ClearView | | |
| Designer-style handle | • | • | • | • | • |
| Weights & Dimensions | | | | | |
| Overall oven interior dimensions (WxHxD in inches) | ← 24 x 18.5 x 19 → | | | | |
| Approx. shipping weight (lbs.) | 210 | 210 | 210 | 200 | 200 |
| Power/Ratings | | | | | |
| Top burners (000's BTU's) Nat/LP | (1) 15.0/11.0 (1) 5.0/5.0 (2) 9.1/9.1 | (1) 13.0/11.0 (1) 5.0/5.0 (2) 9.5/9.5 | (4) 9.5/9.5 | ← (4) 9.1/8.0 → | |
| Oven/broiler burners (000's BTU's) Nat/LP | ← 16.0/16.0 Oven 12.5/12.0 Broil → | | | | |
| Gas range electrical rating | ← 120V, 60Hz, 5A → | | | | |
| LP conversion kit (included) | • | • | • | • | • |

*SS = Stainless steel with black accents, WW = White with white glass door, CC = Bisque with bisque glass door, BB = Black with black glass door, WH = White with black glass door, CT = Bisque with black glass door. Factory set for Natural Gas. A set of LP orifices is included with each range for LP conversion.

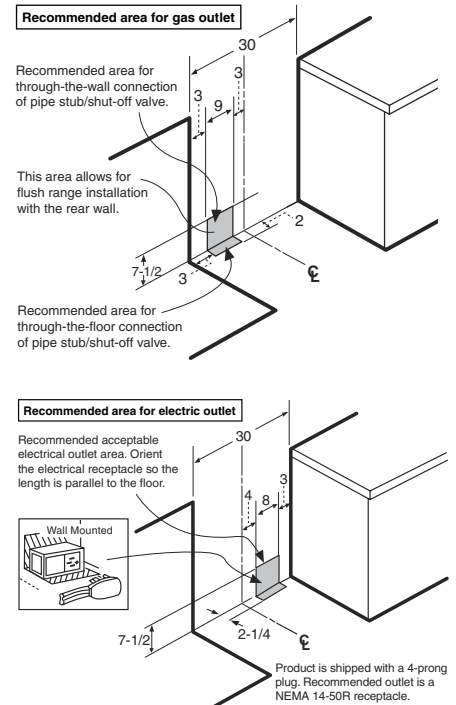
Dimensions (in inches)



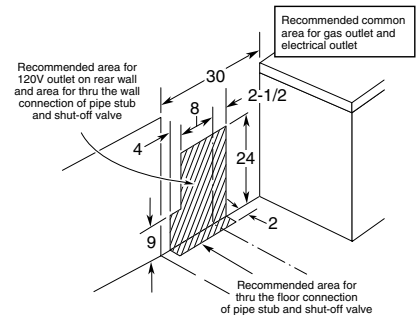
| Model | A | B | C* | D | E |
|--------|----|--------|--------|--------|----------|
| J2B915 | 30 | 47-3/4 | 26-1/4 | 46-3/8 | 36 ± 1/4 |
| JGB920 | 30 | 47-3/4 | 26-1/4 | 46-3/8 | 36 ± 1/4 |
| JGB915 | 30 | 47-3/4 | 26-1/4 | 46-3/8 | 36 ± 1/4 |
| JGB905 | 30 | 47-3/4 | 26-1/4 | 46-3/8 | 36 ± 1/4 |
| JGB900 | 30 | 47-3/4 | 26-1/4 | 46-3/8 | 36 ± 1/4 |
| JGBP90 | 30 | 46-7/8 | 26-1/4 | 46-3/8 | 36 ± 1/4 |
| JGBP85 | 30 | 47-1/2 | 26-1/4 | 46-3/8 | 36 ± 1/4 |
| JGBP36 | 30 | 47-1/2 | 26-1/4 | 46-3/8 | 36 ± 1/4 |
| JGBP35 | 30 | 47-1/2 | 26-1/4 | 46-3/8 | 36 ± 1/4 |
| JGBP33 | 30 | 46-7/8 | 26-1/4 | 46-3/8 | 36 ± 1/4 |
| JGBP28 | 30 | 46-7/8 | 26-1/4 | 46-3/8 | 36 ± 1/4 |
| JGBP26 | 30 | 46-7/8 | 26-1/4 | 46-3/8 | 36 ± 1/4 |
| JGBP24 | 30 | 46-7/8 | 26-1/4 | 46-3/8 | 36 ± 1/4 |

*Dimension from wall to front of closed door handle is 29" on models J2B915, JGB920/915/905/900, JGBP85/36/35 and 28-1/4" on models JGBP90/33/28/26/24. Depth to front edge of cooktop—25-1/4".

Installation Information Dimensions (in inches) Model J2B915



Installation Information Dimensions (in inches) All models except J2B915



Optional Gas Range Accessory Drip Pans For Sealed and Standard Burner Models (Available at additional cost) To order these accessory drip pans, call toll-free 800-626-2002.

Installation Information: Before installing, consult installation instructions packed with product for current dimensional data.



All GE ranges are equipped with an Anti-Tip device. The installation of this device is an important, required step in the installation of the range.

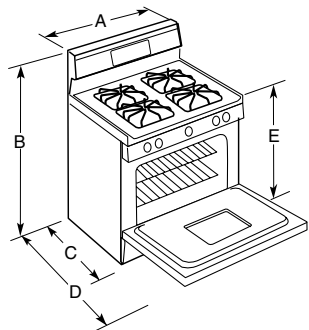
Gas Self-Clean Range Anti-Tip Bracket (Part No. 205C1714P001)
J2B915, JGB920/915/905/900/90/85/28/26/24

30" Continuous- & Standard-Clean Gas Ranges

| GE® | | | | | | | | | | |
|--|---|-----------------------------------|---|---|--|--|----------------------------|---|---|--|
| Sealed Burner Models | | | | | Standard Burner Models | | | | | |
| | JGBS23SEH JGBS23WEH JGBS23CEH JGBS23BEH | JGBS22BEH | JGBS10WEH JGBS10CEH JGBS10BEH | JGBS09PEH | JGBC20WEH JGBC20CEH JGBC20BEH | JGBS20WEH JGBS20BEH | JGBS17PEH | JGBS07PEH | JGBS04BEH JGBS04PPH | |
| Capacity | ● ● ● ● ● ● ● ● ● ● | | | | | | | | | |
| Extra-large 4.8 cu. ft. oven | ● ● ● ● ● ● ● ● ● ● | | | | | | | | | |
| Features | | | | | | | | | | |
| Oven cleaning | Standard-Clean | Standard-Clean | Standard-Clean | Standard-Clean | Cont.-Clean | Standard-Clean | Standard-Clean | Standard-Clean | Standard-Clean | |
| Cooktop burners | Sealed | Sealed | Sealed | Sealed | Std./Twin | Std./Twin | Std./Twin | Std./Twin | Std./Twin | |
| High Output burner (Nat.) | (1) 12,000/ 1,000 BTU | | | | | | | | | |
| Precise Simmer burner (Nat.) | (1) 5,000/600 BTU | | | | | | | | | |
| All-purpose burners (Nat.) | (2) 9,500/850 BTU | (4) 9,500/850 BTU | (1) 8,000/850 BTU (3) 7,000/850 BTU | (1) 8,000/850 BTU (3) 7,000/850 BTU | (4) 9,100/850 BTU | (4) 9,100/850 BTU | (4) 9,100/850 BTU | (4) 9,100/850 BTU | (4) 9,100/850 BTU | |
| Center oval burner | | | (1) 6,000/850 BTU | (1) 6,000/850 BTU | | | | | | |
| Valves (degree of turn) | 270 | 140 | 270 | 270 | 140 | 140 | 140 | 140 | 140 | |
| Electronic clock and timer | ● | ● | Clock only | | ● | ● | ● | | | |
| Porcelain-enameled cooktop | One-Piece Upswept | One-Piece Upswept | ● | ● | One-Piece Upswept | One-Piece Upswept | One-Piece Upswept | ● | ● | |
| Lift-up cooktop | | | | | ● | ● | ● | ● | ● | |
| Easy-clean porcelain-enameled subtop | | | | | ● | ● | ● | ● | ● | |
| One-piece drip pans | Black Grey Taupe Black | Opt. Access. | | | Opt. Access. | Opt. Access. | Opt. Access. | Opt. Access. | Opt. Access. | |
| Removable square grates | Deluxe Porcelain-Steel | Black Standard Porcelain-Steel | Continuous Wire | Continuous Wire | Grey Standard Taupe Standard Black Standard Porcelain-Steel | Grey Standard Black Standard Porcelain-Steel | Black Standard | Grey/Taupe/Black Standard Porcelain-Steel | Black Standard Porcelain-Steel | |
| Griddle | | | Non-stick | Non-stick | | | | | | |
| Ignition system | Electronic | Electronic | Electronic | Electronic | Electronic | Electronic | Electronic | Electronic | Electronic Pilot† | |
| Oven racks | 2 | 2 | 2 | 1 | 2 | 2 | 2 | 2 | 2 | |
| Six embossed rack positions | ● | ● | ● | ● | ● | ● | ● | ● | ● | |
| One piece broiler pan | ● | ● | ● | ● | ● | ● | ● | ● | ● | |
| Porcelain-enameled backguard | ● | ● | Glass | ● | ● | ● | ● | ● | ● | |
| Interior oven light | ● | ● | ● | ● | ● | ● | ● | ● | ● | |
| Broiler drawer | Slide-out | Slide-out | Drop-down | | ● | ● | ● | ● | ● | |
| Appearance | | | | | | | | | | |
| Color appearance* | SS WW CC BB | WH/CT | WW CC BB | WW | WW CC WH/CT | WW WH/CT | WH/CT | WW/CC/BB | WH/CT WW/WH/CT | |
| Frameless oven door | Stainless steel White Glass Bisque Glass Black Glass | Black Glass | White Glass Bisque Glass Black Glass | White Porcelain- Enameled | White Glass Bisque Glass Black Glass | White Glass Black Glass | CM* Porcelain- Enameled | White/Bisque/Black Porcelain-Enameled | Black Glass CM* Porcelain- Enameled | |
| Oven door with window | Big ClearView | Big ClearView | ClearView | ClearView | ClearView | ClearView | ClearView | ClearView | | |
| Designer-style handle | ● | ● | ● | ● | ● | ● | ● | ● | ● / Chrome Visor | |
| Weights & Dimensions | | | | | | | | | | |
| Overall oven interior dimensions (WxHxD in inches) | ← 24 x 18.5 x 19 → | | | | | | | | | |
| Approx. shipping weight (lbs.) | 180 | 170 | 160 | 160 | 175 | 175 | 175 | 165 | 165 | |
| Power/Ratings | | | | | | | | | | |
| Top burners (000's BTU's) Nat/LP | (1) 12.0/11.0 (1) 5.0/5.0 (2) 9.5/9.5 | (4) 9.5/9.5 | (1) 8.0/8.0 BTU (3) 7.0/7.0 BTU (1) 6.0/6.0 BTU | (1) 8.0/8.0 BTU (3) 7.0/7.0 BTU (1) 6.0/6.0 BTU | ← (4) 9.1/8.0 → | | | | | |
| Oven/broiler burners (000's BTU's) Nat/LP | ← 18.0/16.5 → | | | | | | | | | |
| Gas range electrical rating** | ← 120V, 60Hz., 5A → | | | | | | | | | |
| LP conversion kit (included) | ● ● ● ● ● ● ● ● ● ● | | | | | | | | | |

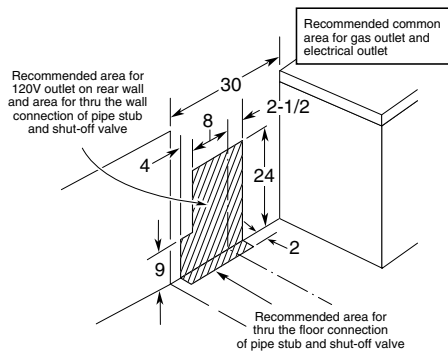
*SS = Stainless steel with black accents, WW = White with white door, CC = Bisque with bisque door, BB = Black with black door, WH = White with black door, CT = Bisque with black door, CM = Color-Matched indicates color of oven door matches cooktop (either white or bisque).
 **Electrical rating not applicable to standing pilot models.
 †JGBS04PPH has a standing pilot ignition.
 Factory set for Natural Gas. A set of LP orifices is included with each range for LP conversion.

Installation Information Dimensions (in inches)



| Model | A | B | C* | D | E |
|--------|----|--------|---------|--------|----------|
| JGBS23 | 30 | 46-7/8 | 26-1/4 | 46-3/8 | 36 ± 1/4 |
| JGBS22 | 30 | 46-7/8 | 26-1/4 | 46-3/8 | 36 ± 1/4 |
| JGBS10 | 30 | 45 | 25-5/16 | 46-1/4 | 36 ± 1/4 |
| JGBS09 | 30 | 45 | 25-5/16 | 46-1/4 | 36 ± 1/4 |
| JGBC20 | 30 | 46-7/8 | 26-1/4 | 46-3/8 | 36 ± 1/4 |
| JGBS20 | 30 | 46-7/8 | 26-1/4 | 46-3/8 | 36 ± 1/4 |
| JGBS17 | 30 | 46-7/8 | 26-1/4 | 46-1/4 | 36 ± 1/4 |
| JGBS07 | 30 | 46-7/8 | 26-1/4 | 46-1/4 | 36 ± 1/4 |
| JGBS04 | 30 | 46-7/8 | 25-5/16 | 46-1/4 | 36 ± 1/4 |

*Dimension from wall to front of closed door handle is 29".
 25-1/4"—Depth to front top edge of cooktop.



All GE ranges are equipped with an Anti-Tip device. The installation of this device is an important, required step in the installation of the range.

Gas Self-Clean Range Anti-Tip Bracket
 (Part No. 205C1714P001) JGBS23/22/20/17/10/09/07/04, JGBC20

Answers that click!

GE puts everything you need at your fingertips.



GE Appliances web site — 16 million visitors a year!
Visit us at GEAppliances.com

Everything you need to know about GE products is here. Access up-to-date information, find out “what’s new,” obtain dimensions, get installation tips and more. Extremely user-friendly, this one-stop site lets you research by brand, category or model number and even buy online through a local GE dealer.

GE Answer Center® saves you time. 800.626.2000

This 24-hour-a-day, 7-day-a-week service provides answers on product features, installation, service and more.



A Century of Quality and Innovation

For more than a century, GE has been committed to producing innovative products that change the way people live. The result of thorough research and rigorous testing, GE appliances are designed for years of dependable performance. Today, the GE tradition of quality and innovation continues.



power boil™ burner • precise simmer burner • 2004 product specifications • even baking and roasting • smooth control pa

GE Profile™ and GE® Free-Standing Gas Ranges

The maximum in cooking performance and versatility.

imagination at work





POWERCREATIVE

File Name: 38541_fs_spec.indd

Date: 6/21/04

Desc./Specs: 16pgs_4/C

PowerSource/gea_creative

Operator: bp, bw, bp, km

NOTES: _____

Proofreader/PC cc _____
Art Director km _____
Copywriter _____
Account Executive cc _____
Assoc. Creative Dir. ra _____
GE Format _____

Color proofs approved
(go to disk)

Color Manager _____
Art Director _____
Account Service _____
Print Buyer _____