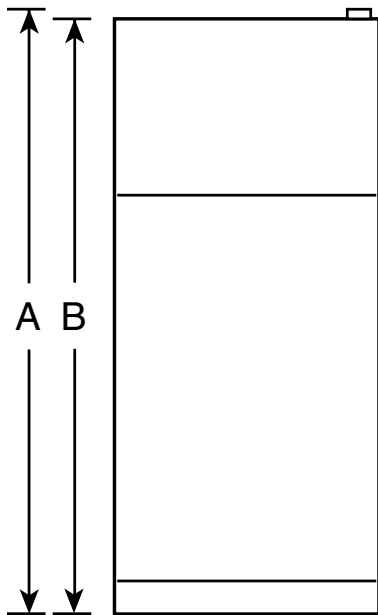


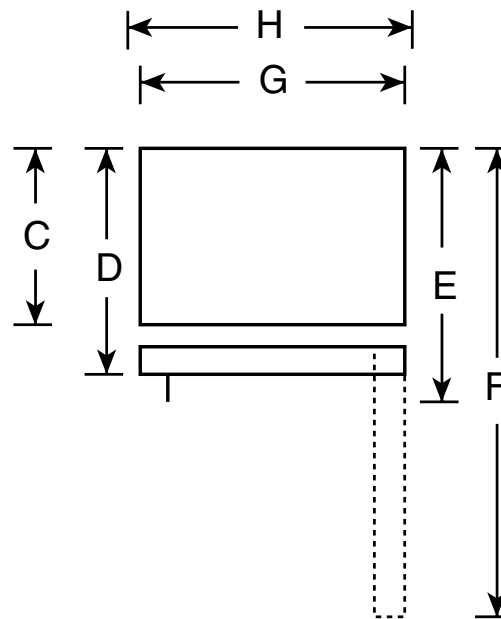
HOTPOINT®

HTM16BBR – Hotpoint® 15.8 Cu. Ft. Top-Freezer Refrigerator

Front View



Top View



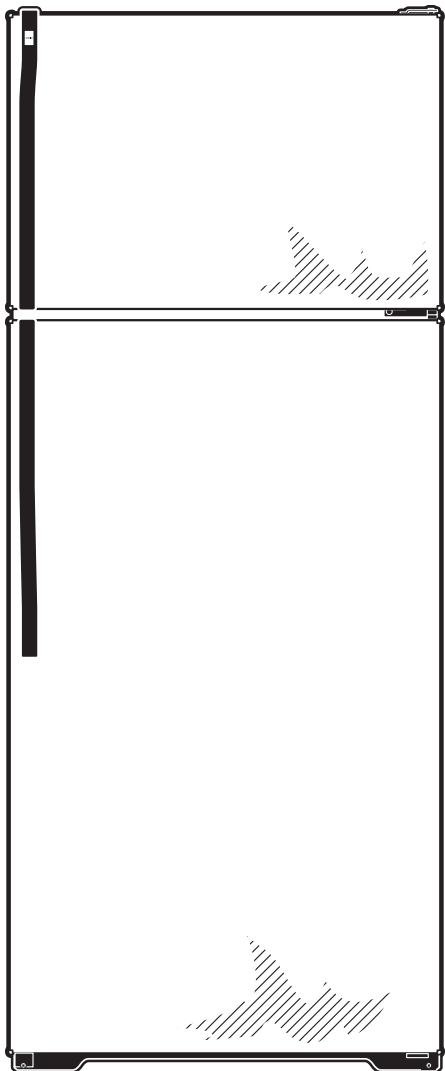
Overall Dimensions	Height with hinge (in.) A	64-3/4
	Height without hinge (in.) B	64-1/4
	Depth without doors (in.) C	25-7/8
	Depth with doors (in.) D	29-1/8
	Depth plus handle with doors closed (in.) E	31
	Depth with doors open 90° (in.) F	54-7/8
	Width with doors closed (in.) G	28
	Width with door open 90° with door handle (in.)	30-1/2
	Air Clearances	Each side (in.)
Top (in.)		1
Back (in.)		1

Note: Before installing, consult installation instructions packed with product for current dimensional data.



HOTPOINT®

HTM16BBR – Hotpoint® 15.8 Cu. Ft. Top-Freezer Refrigerator



Features and Benefits

- Silver Metallic Exterior
- Upfront Temperature Controls – Are positioned up front, close at hand, for maximum convenience and ease of use
- Adjustable Wire Shelves – Provide strong support and slide out with ease
- Vegetable/Fruit Crispers – For easy storage of your fruits and vegetables
- Tall bottle door storage – Is designed to hold upright bottles and containers
- NeverClean™ Condenser – Condenser coils are encased, so they don't require cleaning in normal operating environments
- Deluxe Quiet Design – Significantly reduces operating noise
- Model HTM16BBRSA – Silver metallic

Specification Created 1/04

410444