

Installation Instructions

Downdraft Vent Systems

PVB94

PVB98

ZVB30

ZVB36

Safety Information

? "If you have questions, call 800.GE.CARES or visit our website at: GEAppliances.com"

BEFORE YOU BEGIN

Read these instructions completely and carefully.

- **IMPORTANT** – Save these instructions for local inspector's use.
- **IMPORTANT** – Observe all governing codes and ordinances.
- **Note to Installer** – Be sure to leave these instructions with the Consumer.
- **Note to Consumer** – Keep these instructions with your Owner's Manual for future reference.
- **Skill level** – Installation of this appliance requires a qualified installer or electrician.
- Proper installation is the responsibility of the installer. Product failure due to improper installation is not covered under the warranty. See Owner's Manual for warranty information.

GROUNDING INSTRUCTIONS

This appliance must be grounded. In the event of an electrical short circuit, grounding reduces the risk of electric shock by providing an escape wire for the electric current. This appliance is equipped with a cord having a grounding wire with a grounding plug. The plug must be plugged into an outlet that is properly installed and grounded.

⚠ WARNING:

Improper grounding can result in a risk of electric shock.

Consult a qualified electrician if the grounding instructions are not completely understood, or if doubt exist as to whether the appliance is properly grounded.

Do not use an extension cord. If the power supply cord is too short, have a qualified electrician install an outlet near the appliance.

For Monogram local service in your area, 1.800.444.1845.

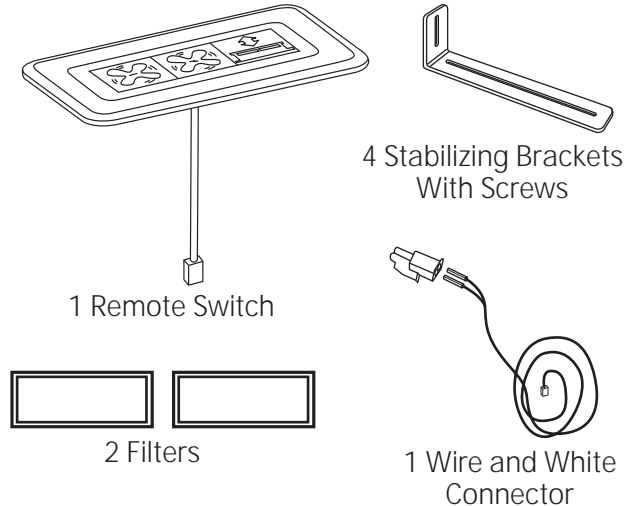
For Monogram Service in Canada, call 1.800.561.3344.

For Monogram Parts and Accessories, call 1.800.626.2002.

If you received a damaged vent system, you should contact your dealer.

PARTS SUPPLIED

Open the carton and remove parts package. Check contents to be sure all pieces are present.



TOOLS AND MATERIALS REQUIRED

- Safety glasses
- Large flat-blade screwdriver
- Jigsaw
- Carpenter's square
- Ductwork to suit the installation
- Level

REMOVE PACKAGING

- Remove the shipping materials and the carton; set carton aside. The carton can be used as a pad when changing or adjusting vent direction.

Safety Information

⚠ WARNING: TO REDUCE THE RISK OF FIRE, ELECTRIC SHOCK, OR INJURY TO PERSONS, OBSERVE THE FOLLOWING.

- Installation work and electrical wiring must be done by a qualified person(s) in accordance with all applicable codes and standards, including fire-rated construction.
- Sufficient air is needed for proper combustion and exhausting of gases through the flue (chimney) of fuel burning equipment to prevent back drafting. Follow the heating equipment manufacturer's guidelines and safety standards such as those published by the National Fire Protection Association (NFPA), and the American Society for Heating, Refrigeration and Air Conditioning Engineers (ASHRAE), and the local code authorities.
- When cutting or drilling into wall or ceiling, do not damage electrical wiring and other hidden utilities.
- Ducted fans must always be vented to the outdoors.

⚠ CAUTION: To reduce the risk of fire and to properly exhaust air, be sure to duct air outdoors. Do not vent exhaust air into spaces within walls or ceilings or into attics, crawl spaces or garages.

⚠ WARNING: TO REDUCE THE RISK OF FIRE, USE ONLY METAL DUCTWORK.

- When applicable, install any makeup (replacement) air system in accordance with local building code requirements. Visit GEAppliances.com for available makeup air solutions.
- PVC sewer pipe can be used as duct under concrete slab if allowed by local code board.

Installation Preparation

POWER SUPPLY

This downdraft vent must be supplied with 120V, 60 Hz. and connected to an individual, properly grounded branch circuit, protected by a 15- or 20-ampere circuit breaker or time-delay fuse.

A properly grounded 3-prong receptacle should be located within reach of the vent's two-foot power cord.

• Gas Cooktops

If this vent is installed in combination with a GE or Monogram gas cooktop, it may operate from the same duplex outlet.

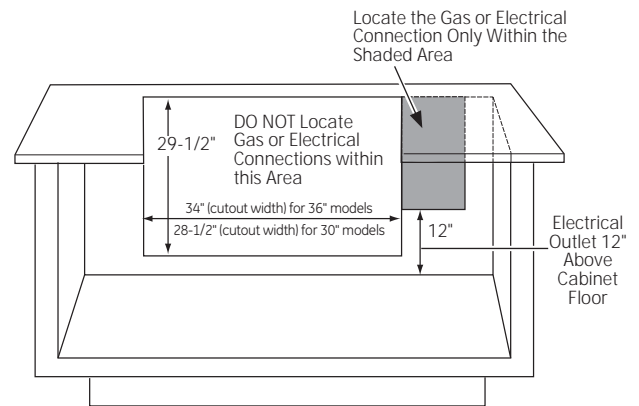
• Electric Cooktops

If this vent is installed in combination with a GE or Monogram electric cooktop, the vent must operate from a separate 120V outlet.

Locate the receptacle inside the cabinet on the right side wall (see illustration). The receptacle cannot be placed on the back of the cabinet wall where it may interfere with the downdraft plenum.

The downdraft vent power cord is to be routed beneath the cooktop and routed away from heat generated by the cooktop.

Ensure that the cooktop is installed per manufacturer's installation instructions.



IMPORTANT

(Please read carefully.)

The power cord of this appliance is equipped with a three-prong (grounding) plug which mates with a standard three-prong grounding wall receptacle to minimize the possibility of electric shock. The customer should have the wall receptacle and circuit checked by a qualified electrician to make sure the receptacle is properly grounded and has correct polarity.

- Where a standard two-prong wall receptacle is encountered, it is the personal responsibility and obligation of the customer to have it replaced with a properly grounded three-prong wall receptacle.

Do not, under any circumstances, cut or remove the third (ground) prong from the power cord.

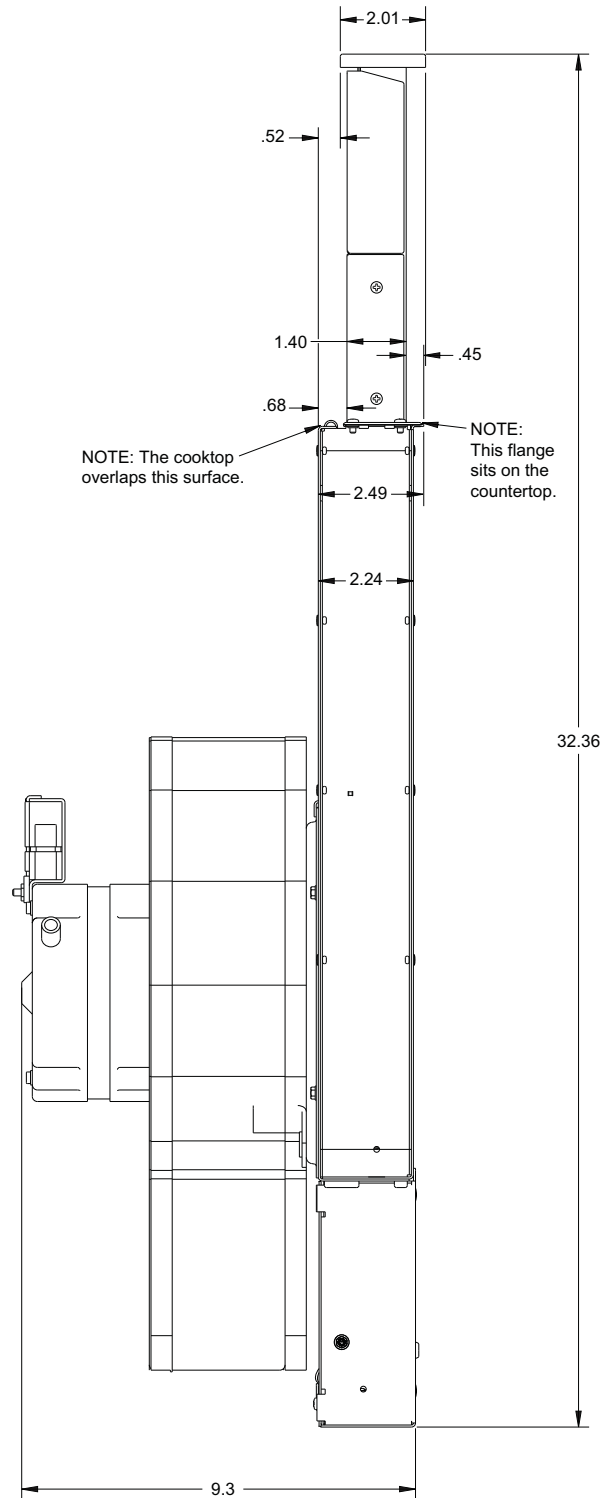
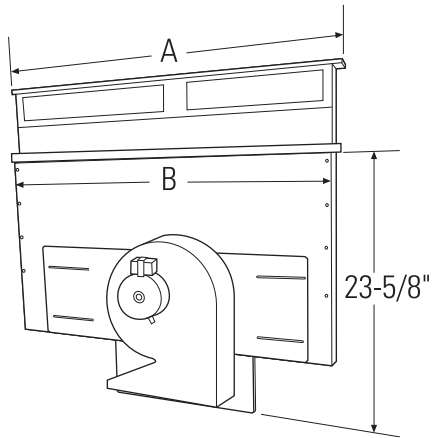
Do not use an extension cord or adapter plug with this appliance. Follow National Electrical Code or prevailing local codes and ordinances.

Location of Rating Label: on front of chassis of vent system.

Installation Preparation

PRODUCT DIMENSIONS

	A	B
30" Models	30"	28-5/16"
36" Models	36"	33-15/16"



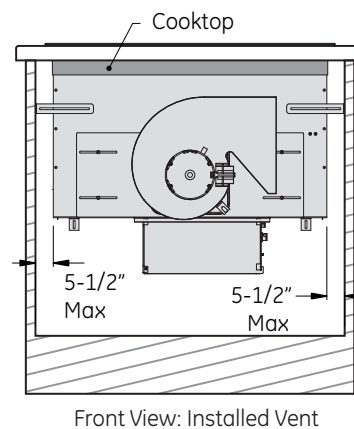
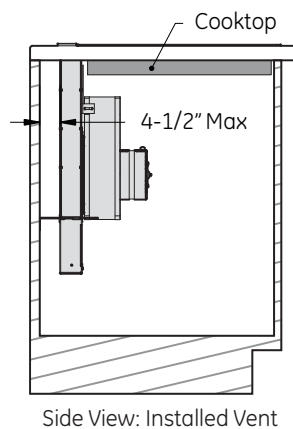
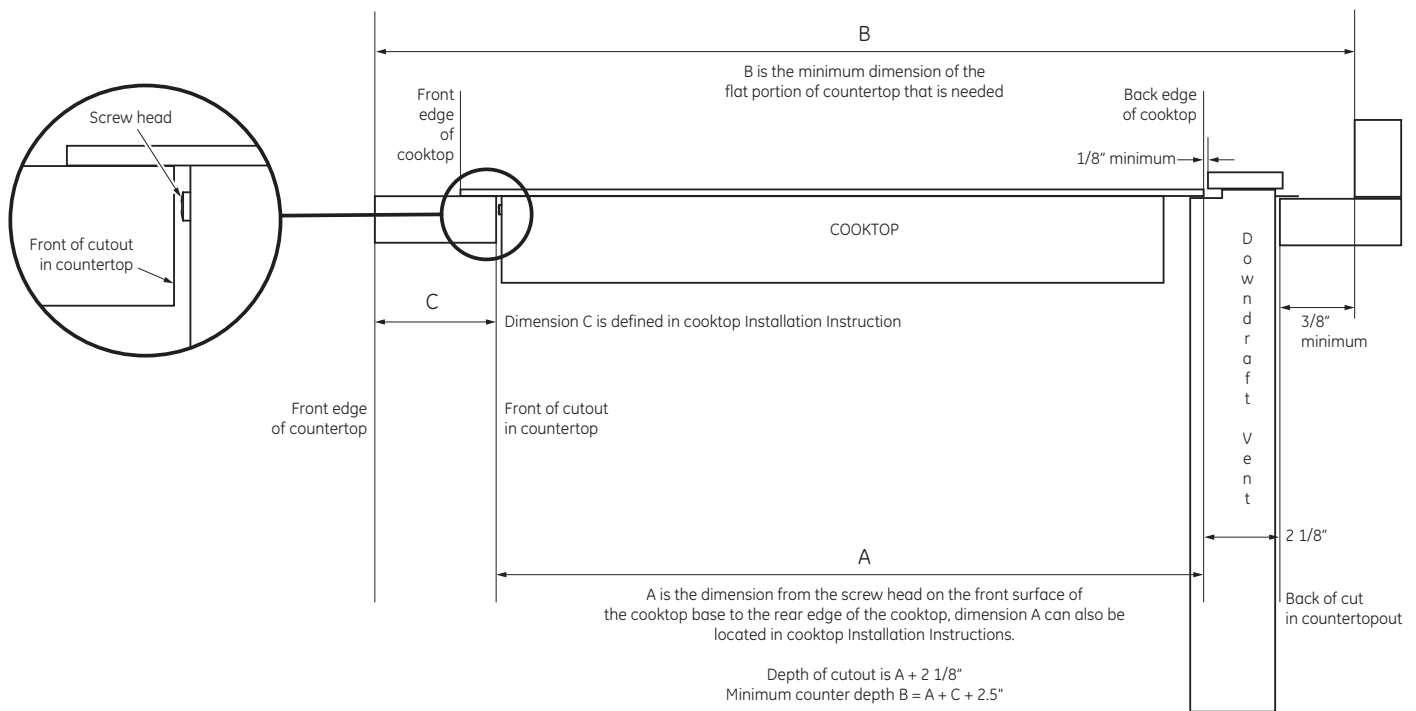
ACCESSORIES

JXRB67 – Optional accessory for indoor remote location of the blower/motor assembly. Use this kit when the blower and motor assembly will be located outside of the cabinet, such as below the cabinet floor.

Installation Preparation

PREPARING FOR INSTALLATION

- Unpack the cooktop and read the Installation Instructions to understand the required countertop cutout dimensions and location in the countertop, the cooktop spacing to the front edge of the countertop, and the required clearances to the cabinets and walls. The vent system required cutout width is shown on page 4. Confirm there is enough side to side counter space to meet the required spacing and clearances for the cooktop.
- Using the illustrations below and taking measurements of the cooktop to establish dimension A, confirm there is enough front to back counter space (dimension B) to fit both the cooktop and the vent system. Note the cooktop rear edge will overlap the vent system front surface (refer to Page 5).
- Refer to the Creative Solutions section on page 8 if more counter space is needed.
- Using the illustrations on pages 5 through 7 and taking measurements of the vent system and its exhaust vent location, confirm the clearances needed within the cabinet, the exhaust vent direction, and the alignment of the exhaust vent with the ducting. If needed for clearance or duct hookup alignment, reposition the location of the cooktop, or modify the cabinetry, or modify the ducting. A remote blower kit JXR867 is available to move the blower assembly out of the cabinet area.
- Confirm the electrical receptacles and gas lines are correctly located, and relocate if needed.



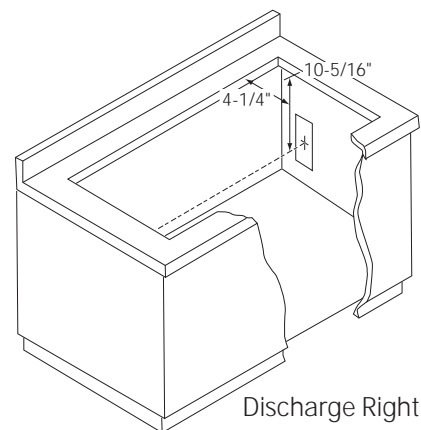
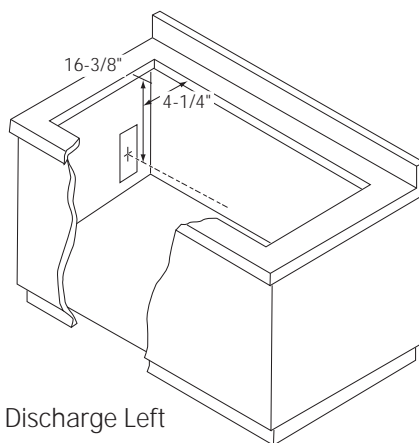
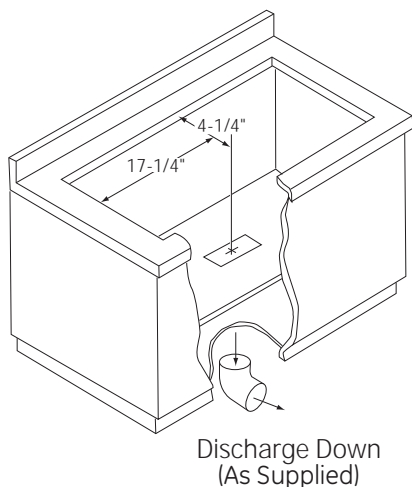
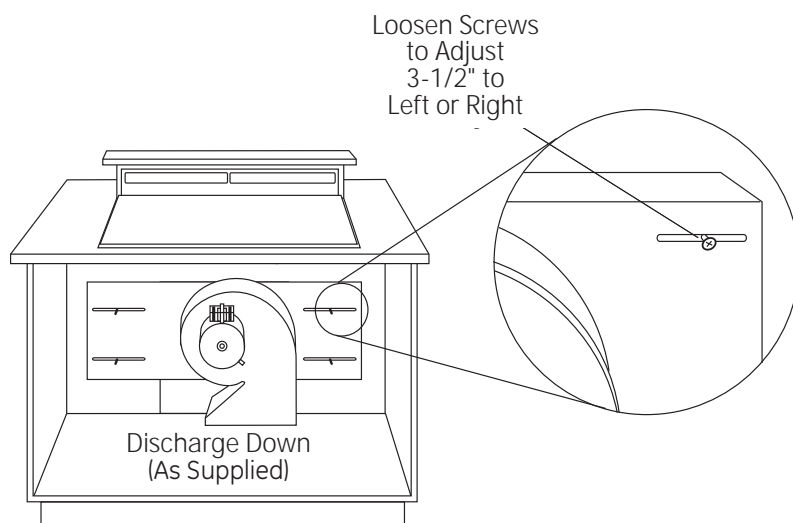
Installation Preparation

VENTING OPTIONS

- The downdraft vent is shipped with the discharge outlet pointing straight down and can be changed to the left or right side.
- The blower outlet is sized for 3-1/4" x 10" and can be transitioned to 6" round.

Side-to-Side Adjustments:

The entire blower mounting plate can be adjusted 3-1/2" to the left or right. This will help to align vent discharge to house ductwork.



Discharge Direction

The blower assembly may be removed and turned 90° for a left- or right-side discharge.

- A left or right 90° direction adjustment should be performed before dropping into the countertop opening.

To change to a left or right discharge:

- Remove the 4 screws holding the blower and the mounting plate assembly to the downdraft vent. Retain screws.
- Remove blower assembly; turn it over to access the 4 nuts holding the blower to the mounting plate. Remove the nuts.

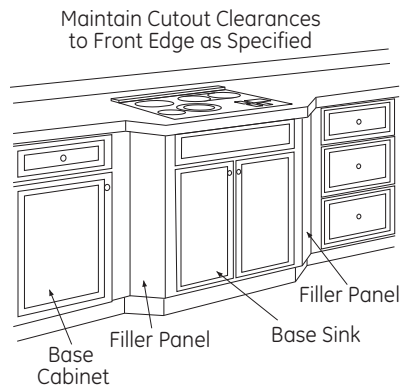
IMPORTANT: Do not lift motor by the power cable.

- Turn the blower to the left or right discharge direction and reinstall the 4 nuts.
- Reinstall blower and mounting plate with original screws.
- The hood must vent down or to the left when installed with a GE or Monogram gas cooktop to avoid interference with the inlet of the gas cooktop.

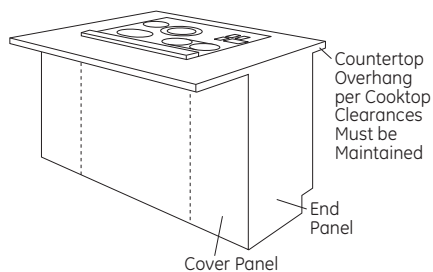
Design Information

Creative Solutions

- When the kitchen design calls for an against-the-wall installation, move the base cabinet forward 3" to 5". Filler panels or complementary moldings can be added to exposed cabinet sides.

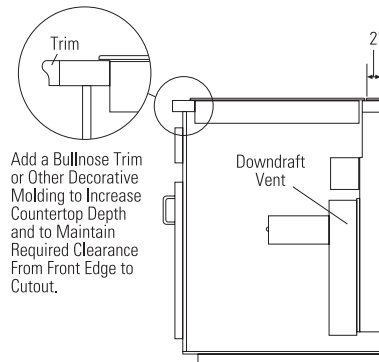


- In an island or peninsula, use an extra-deep countertop. The countertop overhang at the front can be adjusted to meet setback to cutout requirements.

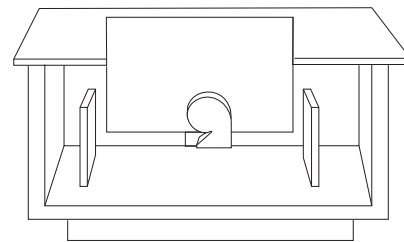


- When the cutout to the front edge of the countertop requirement is more than 2", add a bullnose trim to the front edge of the countertop. Include the trim thickness when measuring the front edge to cutout requirement. By adding the trim, the cooktop can

be moved forward, providing additional countertop depth and interior cabinet space.



- When the distances between the vent and the inside cabinet side walls are more than 5-1/2" and/or the inside cabinet back wall is more than 4-1/2", false walls should be constructed inside the cabinet for securing the vent with the stabilizing brackets (refer to *Cutouts and Clearances* under *Installation Preparation*.)



Preparing The Countertop

Cut out the opening. Measure carefully when cutting the countertop, making sure the sides of the opening are parallel and the front and rear cuts are exactly perpendicular to the sides.

The front of the opening must clear the front support rail on the cabinet, and the rear of the opening must clear the rear support of the cabinet.

Chamfer all exposed edges of decorative laminate to prevent damage from chipping.

Radius corners of cutout and file to ensure smooth edges and prevent corner cracking.

Rough edges inside corners which have not been rounded and forced fit can contribute to cracking of the countertop laminate.

Design Information

PREPARE FOR DUCTWORK

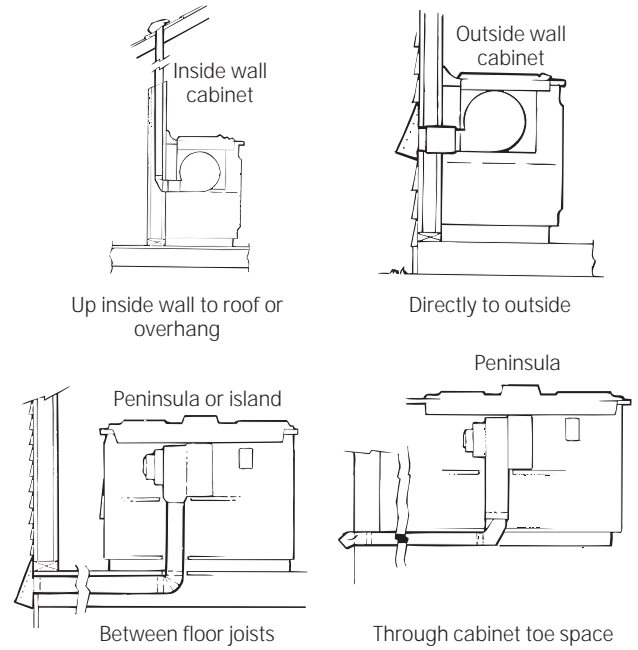
Determine the best route for ductwork; it can be routed in a variety of ways depending on the kitchen layout.

IMPORTANT: The downdraft air discharge outlet for this unit is 3 1/4" x 10" rectangular. Plan ducting accordingly.

Typical duct arrangement countertop series.

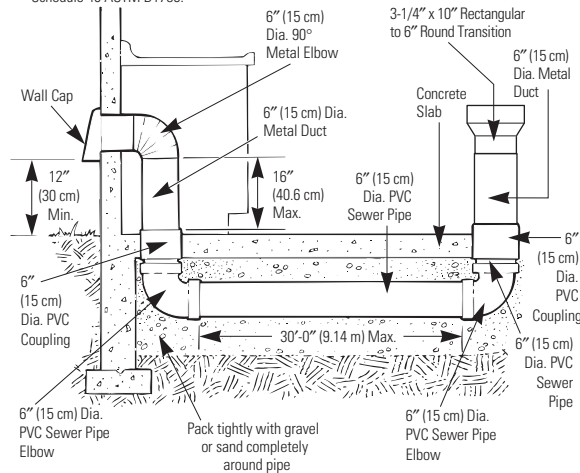
To maximize the ventilation performance of the vent system:

1. Minimize the duct run length and number of transitions and elbows.
2. Maintain a constant duct size.
3. Seal all joints with duct tape to prevent any leaks.
4. Do not use any type of flexible ducting.

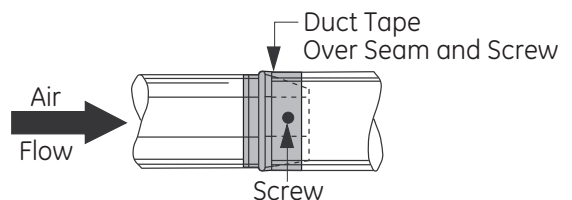


Optional duct arrangement under concrete slab. PVC duct should be used if installing under a poured concrete slab.

NOTE: PVC sewer pipe type PSM 12454-B
Schedule 40 ASTM D1785.



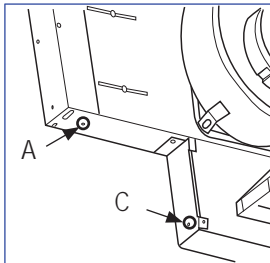
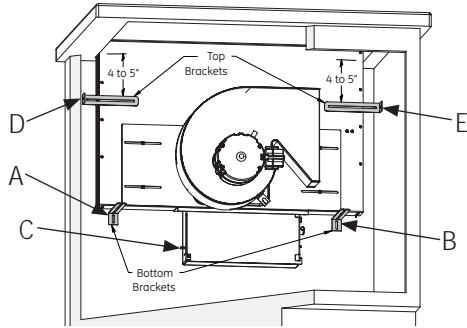
- Install ductwork so the piece of duct nearest the downdraft unit slots INTO the next piece of the duct. Secure the joints with self-tapping screws and apply duct tape around the joints to ensure an airtight seal.



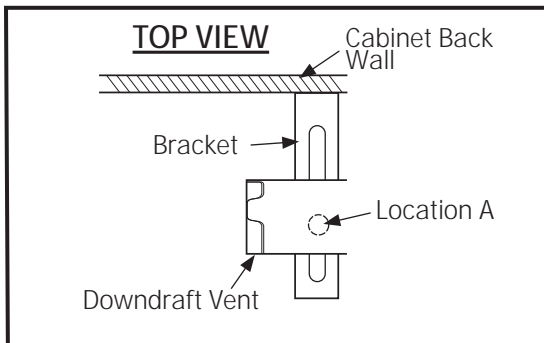
Installation Instructions

1 INSTALL DOWNDRAFT VENT

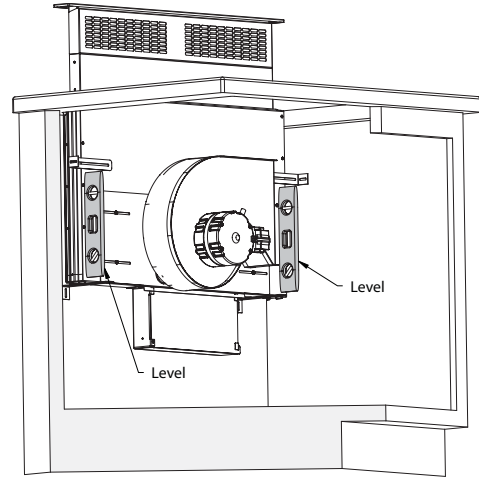
- A** Two stabilizing brackets must be installed on each side of the downdraft vent.
- For **right-side or straight-down blower discharge**, fasten the stabilizing brackets at locations A, B, D and E.
 - For **left-side blower discharge**, fasten the stabilizing brackets at locations B, C, D and E.



- B** Place the downdraft vent into the countertop cutout so that the back flange of the vent is sitting on top of the countertop.
- C** Secure the screws for the stabilizing brackets to the cabinet back and side walls.



- D** Confirm the vent system is plumb and square with the cabinetry.



- E** Place Cooktop into the countertop cutout. There should be a **1/8" minimum gap** between the front of the vent trim and the rear of the cooktop.
- F** Connect duct. Use a roof or wall cap (with damper) that is intended for use with kitchen hoods and vent systems.

Installation Instructions

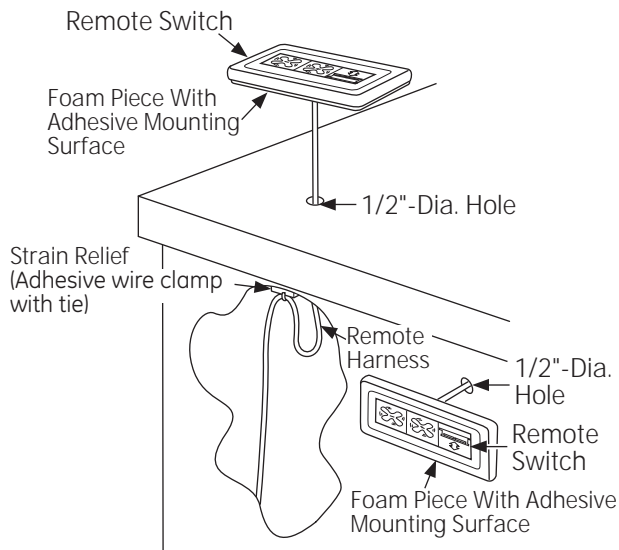
2 INSTALL REMOTE SWITCH

⚠ WARNING: BURN HAZARD

The remote switch must be located so that it can be operated without reaching over the cooktop. Failure to do so may result in ignition of clothing which could cause serious injury or death.

Determine the location for the remote switch.

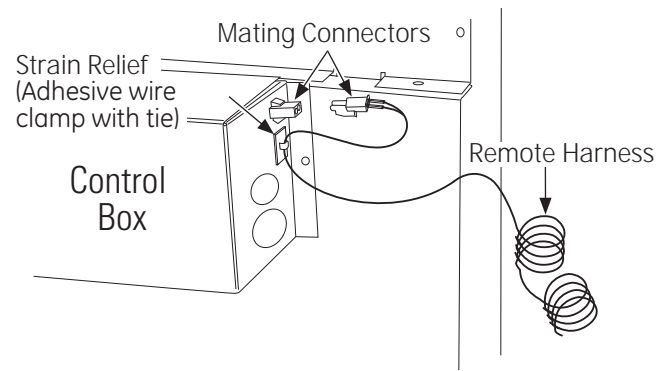
- Disconnect the remote switch from the harness.
- The remote switch should be located so that the vertical distance from the floor to the remote switch is less than 48" and more than 15".
- The remote switch harness is 68" long and should be installed so that it is not pinched and is away from moving parts.



- Use the remote switch to determine the exact center of the hole, confirm there is clearance behind the hole for the connector and wire to pass into, and drill a 1/2" diameter hole.
- If the remote switch is not installed on the countertop, ensure that it is installed in a location that meets local codes and is easily accessible.

Connect Remote Switch to Remote Harness

- Thread the remote harness through the 1/2"-dia. hole and attach the harness connector to the remote connector.
- Remove the paper backing on the remote switch foam piece and mount the remote switch on the countertop such that the switch connectors stay located in the 1/2"-dia. hole.
- Stick adhesive wire clamp near the 1/2"-dia. hole and attach the loose wire with a wire tie.



Connect Wire Lead to Control Box

- Connect the mating wire ends.
- Place the adhesive wire clamps (provided) near the mating connector.
- Keep approximately 3"-long wire and attach the wire to the clamp with a wire tie. This will act as a strain relief.

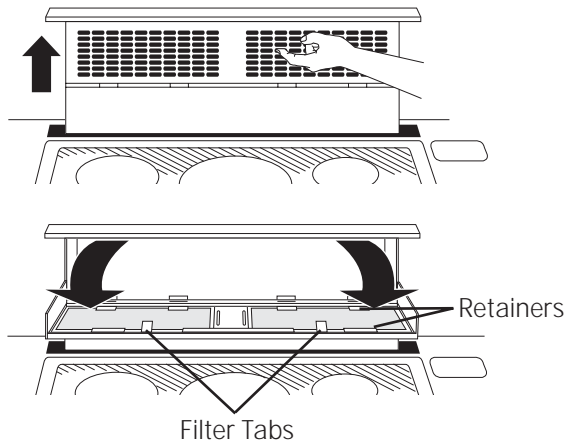
Installation Instructions

3 CONNECT POWER

Plug power cord into properly grounded receptacle.

4 INSTALL FILTERS, CHECK OPERATION

- Press the ON/OFF pad on the control to raise the vent.
- Slip fingers into the vent holes. Lift the vent straight up and pull forward.



- Slide filter into the retainers and close the vent.
- Press the Fan Speed HIGHER pad to start the blower. Adjust the blower by pressing HIGHER or LOWER.
- To lower the vent, press the ON/OFF pad.

NOTE: It is not necessary to turn the fan OFF before lowering the vent. The fan will automatically turn off when the vent is lowered. When the fan is not turned off before lowering the vent, it will automatically come on at the previously set speed when the vent is fully raised.

IMPORTANT: The vent can be activated by pressing the pads on the switch. Do not use excessive force or sharp objects to activate the switch. Damage could occur and void the warranty.