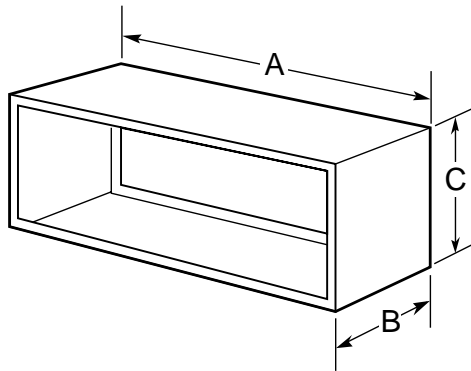




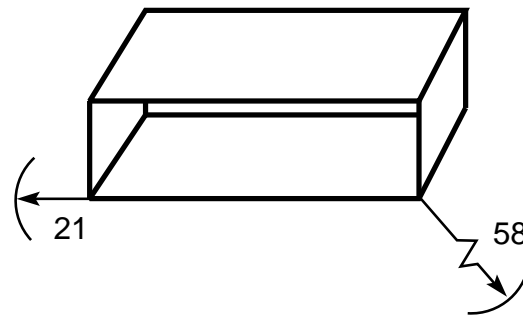
GE Appliances

AZ35H09E – GE Zoneline Deluxe Series Heat Pump Unit

Wall Case Dimensions



Maximum Cord Extension (in inches)



RAB71 Wall Sleeve

Heavy-gauge galvanized steel, with insulation.
A – 42", B-13-3/4", C-16"

RAB77 Wall Sleeve

Molded SMC fiberglass-reinforced polyester compound.
A – 42-1/8", B-13-7/8", C-16-1/4"

Wall Opening Dimensions

Add 1/4" to A and C dimensions for all cut-out size.
RAB71 16-1/4" Min. H x 42-1/4" Min. W
RAB71 available in 16", 24", 28" and 31" depths
RAB77 16-1/2" Min. H x 42-3/8" Min. W

Electrical Wiring

All wiring, including installation of receptacle, must be made in accordance with local electrical codes and regulations.

Note: Aluminum wiring may pose special problems—consult a qualified electrician.

Grille Options

Stamped Aluminum Grille – RAG60

Exterior Architectural Louvers Durable Polycarbonate:

RAG61 or RAG64 (Beige)

RAG63 or RAG66 (Bittersweet)

RAG62 or RAG65 (Maple)

RAG67 (Extruded Aluminum)

Retrofit Kits:

RAK901L – Wall Case Insulation for use with heat pumps.

RAK40 – Deflector Kit to adapt chassis for use with existing exterior architectural louvered grilles.

Note: 5500 Series requires Power Connection Kit.

Ducted Applications

2500 and 3500 series can be used with ductwork to heat or cool more than one room. RAK6052 Duct Adaptor is applied to top of case over air discharge/RAK601 Duct Extension is applied to right or left of adaptor. Locally fabricated ductwork may be added to extend to maximum recommended distance of 15 feet.

Electrical Connection

230/208 volt units may be plugged into a receptacle. 265 volt units are provided with a junction box and require direct connection. (NEC Requires 265V Direct Connection) See Architects and Engineers Design Data Manual for electrical connection information including use of sub-base for direct connected units. Installation must comply with local electrical codes and regulations.

For additional information on ducted applications, including special adaptors for replacement units, refer to Architects and Engineers Design Data Manual.

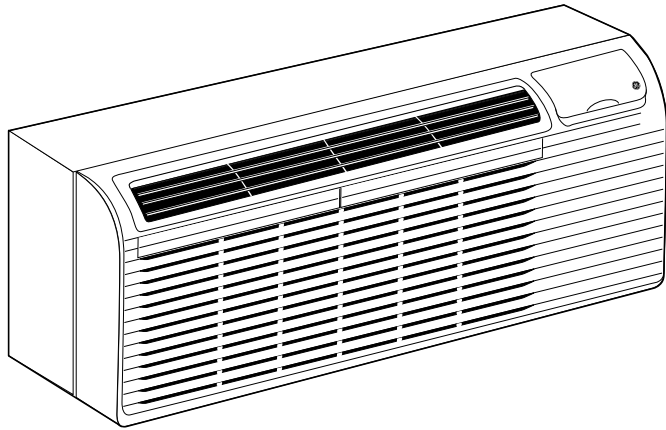
Specification Revised 3/02

For answers to your Monogram®, GE Profile™ or GE appliance questions, visit our website at GEAppliances.com or call GE Answer Center® service, 800.626.2000.



GE Appliances

AZ35H09E – GE Zoneline Deluxe Series Heat Pump Unit



Features and Benefits

- Cooling with Heat Pump and Electric Heat Back-up
- 265V Model
- 9,000 BTUH (Cooling)
- 8,400 BTUH (Reverse Cycle Heat)
- 11.5 EER/3.5 COP
- 2.7 Dehumidification (pts/hr)
- 260/230 CFM Indoor Fan
- Solid-State Thermostat Control
- Up-Front Filters For Easy Access and Cleaning
- “Smart Fan” Fan Cycle
- Auto Frost Control
- Freeze Sentinel™ Protects Unoccupied Rooms Against Freeze-Up
- Electronic Temperature Limiting For Restriction of Room Temperature
- Remote Control Compatibility For Wall-Mounted Thermostats
- Central Desk Control Compatibility
- Concealed Manual Vent Control
- AZ35H09E3B – 15 Amps, 2550 Watts; Base Model
- AZ35H09E3C – 15 Amps, 2550 Watts; Corrosion Treated
- AZ35H09E3D – 15 Amps, 2550 Watts; Internal Condensate Removal System
- AZ35H09E4B – 20 Amps, 3700 Watts; Base Model
- AZ35H09E4C – 20 Amps, 3700 Watts; Corrosion Treated
- AZ35H09E4D – 20 Amps, 3700 Watts; Internal Condensate Removal System
- AZ35H09E5B – 30 Amps, 5000 Watts; Base Model
- AZ35H09E5C – 30 Amps, 5000 Watts; Corrosion Treated
- AZ35H09E5D – 30 Amps, 5000 Watts; Internal Condensate Removal System

Specification Revised 3/02