

JGP970TEK/KEK/BEK

GE Profile™ Series 36" Built-In Gas Cooktop

DIMENSIONS AND INSTALLATION INFORMATION

AGA REQUIREMENT: All gas cooktop models require 7/16" free area below cooktop height to combustible material. Requires 18" minimum from countertop to adjacent overhead cabinets.

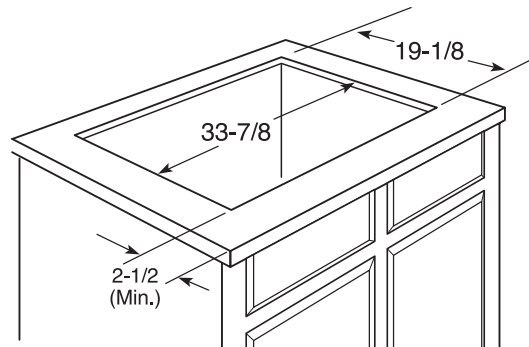
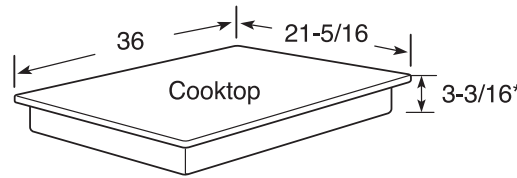
NOTE: Curved front may interfere with some raised bullnose countertops. If installing with a GE Profile™ Telescopic Downdraft System, consult both cooktop and downdraft installation instructions packed with product before installing. Cooktop gas/electric supply may need to be re-routed to install downdraft.

ELECTRICAL RATING: 120V, 60Hz, 5A

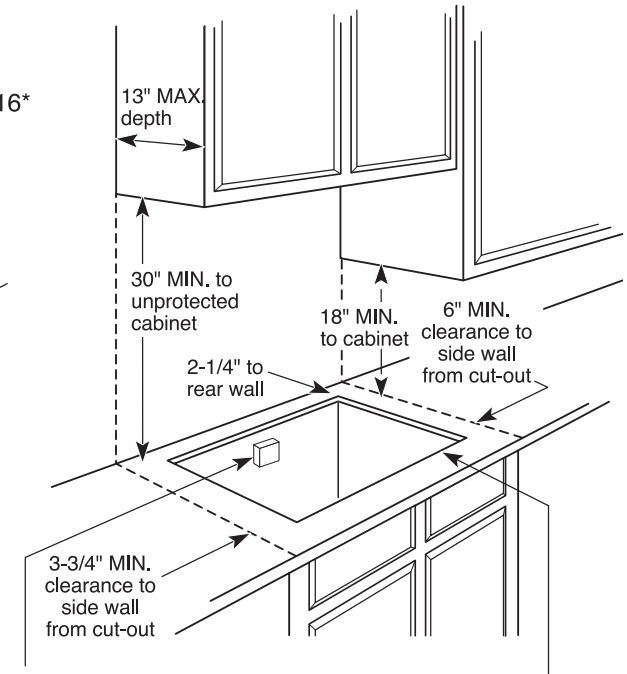
INSTALLATION WITH SINGLE WALL OVEN INFORMATION:

30" Gas Cooktops are approved for use over select GE 27" and 30" Wall Ovens and Warming Drawers. 30" and 36" Gas cooktops are approved for use over 30" Wall Ovens and Warming Drawers. Refer to cooktop and wall oven/warming drawer installation instructions packed with product for current dimensional data.

INSTALLATION INFORMATION: Before installing, consult installation instructions, packed with product, for current dimensional data.



*Allow 5-3/4" depth at rear for electrical and gas connections



Electrical junction box 12" MIN. below countertop

Cut should not interfere with cabinet structure at front

Dimension and installation information are shown in inches.



For answers to your Monogram, GE Café™ Series, GE Profile™ Series or GE Appliances product questions, visit our website at geappliances.com or call GE Answer Center® Service, 800.626.2000.



Specification Revised 4/16

JGP970TEK/KEK/BEK

GE Profile™ Series 36" Built-In Gas Cooktop

FEATURES AND BENEFITS

Gas On Glass Cooktop - Features a flat one-piece ceramic glass surface that is sleek and easy-to-clean

Sealed Cooktop Burners - Eliminates the space between the burners and the cooktop to help contain spills and boil over liquids, ensuring easy cleanup

Power Boil Burner - Delivers 15,000 BTUs of forceful heat for rapid boiling

High Output Burner - Provides a powerful burner output for efficient heat-up and boiling

Precise Simmer Burner - Delivers a low setting of 140 degrees, ideal for delicate foods and sauces

Continuous Grates - Provide a flat, sturdy surface allowing easy movement of pans between burners

Control Lock Capability - Shuts off gas to prevent unintended activation. Only GE has it!

Melt Option - Maintains the optimal 110 degree temperature for melting delicate foods like chocolate or butter - eliminating the guesswork

Dishwasher-Safe Grates and Knobs - Feature durable construction for worry-free, effortless cleaning and maintenance

Matte Deluxe-Cast Grates - Durable cast-iron offers lasting performance

Upfront Controls - Controls are placed within easy reach at the front center of the cooktop

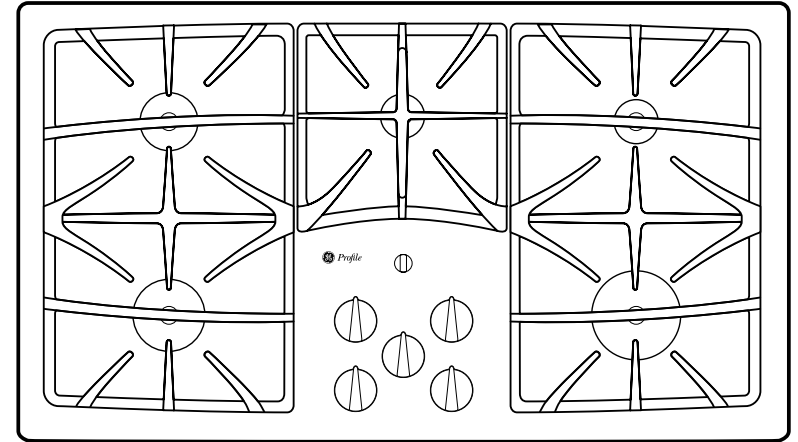
Electronic Pilotless Ignition - Provides reliable burner ignition operation, eliminating the need for a standing pilot

Heavy-Duty Die-Cast Knobs - Add durability and brushed chrome for enhanced style and performance

Model JGP970TEKWW - True white

Model JGP970KEKCC - True bisque

Model JGP970BEKBB - Black on black



GUARANTEED FIT

Replacing a similar cooktop from GE or another brand? GE cooktops are guaranteed for an exact fit to make replacement easy

Visit geappliances.com for more info

