

GE Monogram[®]

Installation

Instructions

Stainless Steel

Built-In

Refrigerators

Models

ZISS42D SS, ZISS42N SS

ZISS48D SS, ZISS48N SS

Before you begin - Read these instructions completely and carefully.
 IMPORTANT - Save these instructions for local inspector's use.
 IMPORTANT - OBSERVE ALL GOVERNING CODES AND ORDINANCES.
 Note to Installer - Be sure to leave these instructions with the Consumer.
 Note to Consumer - Keep these instructions with your Use and Care Book for future reference.

⚠ WARNING This appliance must be properly grounded. See "Grounding the Refrigerator," page 6.

If you have a question concerning the installation of this product, call the GE Answer Center® Consumer Information Service at 800.626.2000, 24 hours a day, 7 days a week.

If you received a damaged refrigerator, you should immediately contact your dealer or builder.

Proper installation is the responsibility of the installer. Product failure due to improper installation is not covered under the GE Appliance Warranty. See the Use & Care Guide for warranty information.

WARNINGS:

- Use this appliance only for its intended purpose.
- Immediately repair or replace electric service cords that have become frayed or damaged.
- Unplug the refrigerator before cleaning or making repairs.
- Repairs should be made by a qualified service technician.

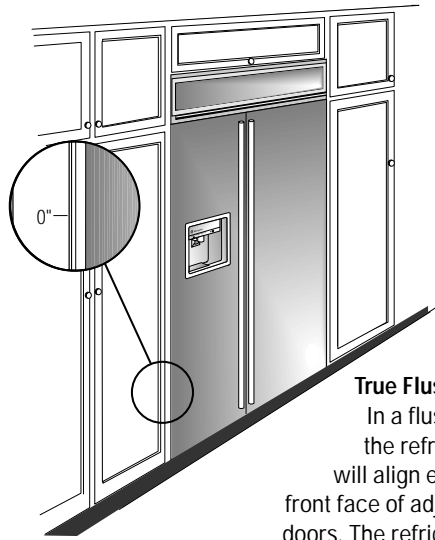
For Monogram local service in your area, 1-800-444-1845.
For Monogram Service in Canada 1-800-880-3030.
For Monogram Parts and Accessories, call 1-800-626-2002.

Contents

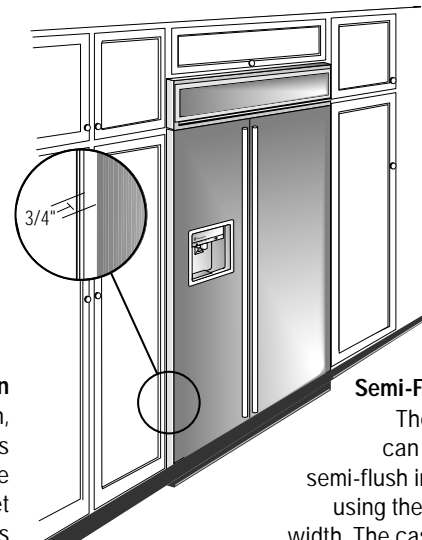
Design Information	
Flush or Semi-Flush Enclosure Installations	3
Enclosure Cutout and Product Dimensions	3
Installation Examples	4
Installation Preparation	
Water Connection Location, Electrical	5
Product Dimensions & Clearances	5
Grounding the Refrigerator	6
Tools Required	7
Materials Required	7
Hardware Supplied	7
Optional Hardware	7
Flooring.....	7
Step 1: Remove Packaging.....	7
Installation Instructions	
Step 2: Install Water Line	8
Step 3: Install Side Panels.....	9
Step 4: Roll Refrigerator into Opening.....	9
Step 5: Level Refrigerator	10
Step 6: Secure Refrigerator Case Trim to Side Panels	10
Step 7: Connect Water Supply.....	11
Step 8: Connect Power	11
Step 9: Mount Top Grill Panel	11
Step 9A: Assemble Optional ZGSS42, ZGSS48 Grille Panel Kit	12
Step 10: Arrange Interior	13
Step 11: Set Temperature Controls.....	13
Step 12: Start Icemaker	13
Step 13: Install Toekick	14
Problem Solving	15

Advance Planning

Flush or Semi-Flush Enclosure Installations



True Flush Installation
In a flush installation, the refrigerator doors will align evenly with the front face of adjacent cabinet doors. The refrigerator blends into the surrounding cabinetry.



Semi-Flush Installation
These refrigerators can also be installed semi-flush into an enclosure using the minimum cutout width. The case trim creates a frame around the opening.

Monogram built-in refrigerators can be installed flush with typical 24-3/4" deep cabinetry.

When installed semi-flush, the case trim will conceal slight gaps around the enclosure. The refrigerator will project forward approximately 3/4" beyond the front face of surrounding cabinetry.

Side Panels Requirements:

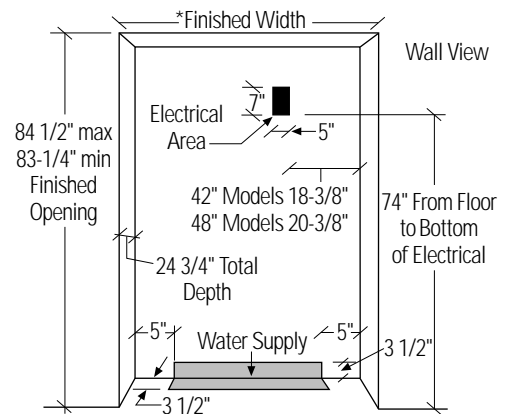
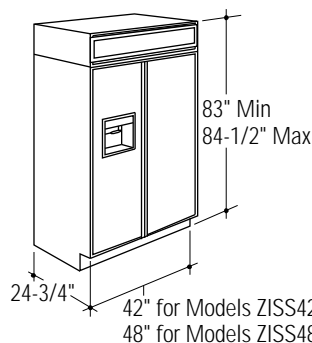
- Side panels are not required whenever the refrigerator is installed into an enclosure or between pantry and oven cabinets.
- Side panels are required whenever the sides of the refrigerator are exposed.
- Side panel sizes vary depending on the type of installation being made.

To accomplish an attractive installation, you must:

1. Determine the need for side panels.
2. Determine side panel thickness.
3. Order matching side panels from the cabinet manufacturer. Be sure to provide the exact dimensions.

Enclosure Cutout and Product Dimensions

- To achieve a flush fit the finished cutout width must be at least 42" wide for models ZISS42 and 48" wide for models ZISS48.
- A semi-flush installation, the finished cutout must be 41-1/2" for models ZISS42 and 47-1/2" for models ZISS48.
- The electrical and water locations must be located as shown for either type of installation.



*Flush Installations:
42" for Models ZISS42, 48" for Models ZISS48.

*Semi-Flush Installation:
41-1/2" for ZISS42, 47-1/2" for Models ZISS48.

Note: Additional cutout width may be required when side panels are used. Add side panel thickness to the finished cutout to calculate rough-in width. See installation examples on the following page.

Design Information

Stainless Steel Built-In Refrigerators

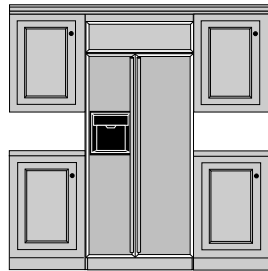
Side panels are required whenever the sides of the refrigerator will be exposed.

1/2" to 3/4" side panels are normally set into place and fastened to adjacent cabinetry or to the back wall before rolling the refrigerator into the opening.

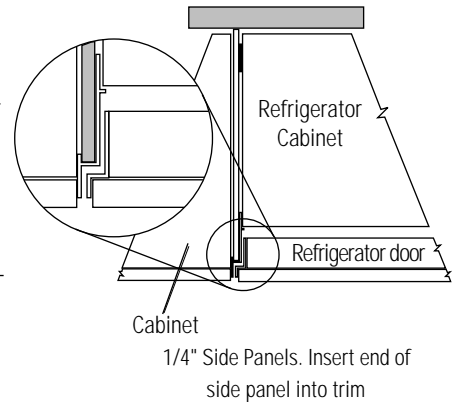
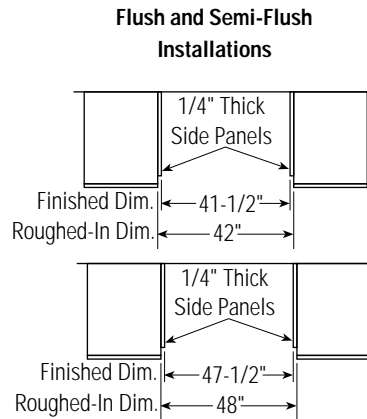
Therefore, the rough-in dimensions must allow for side panel thickness. In both a flush and semi-flush installation, the finished dimension, (the width of the opening after side panels are installed), must accommodate the full width of the refrigerator.

See page 9 for side panel sizes.

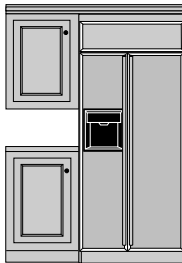
Installation Between Base & Wall Cabinets



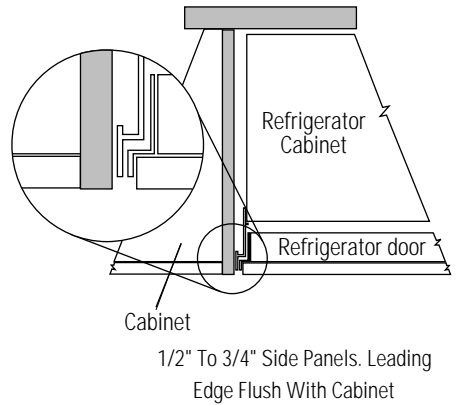
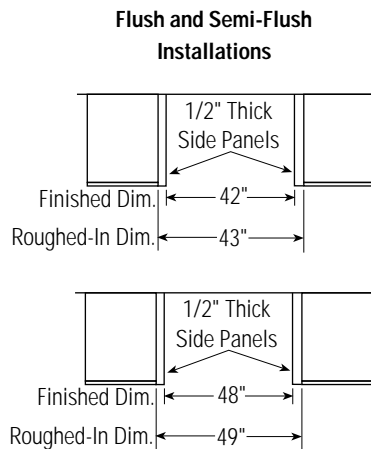
NOTE: 1/4" thick side panels can be inserted into the case trim, making the rough-in the same as the outside trim width, 42" or 48".



Installation At End-of-Run



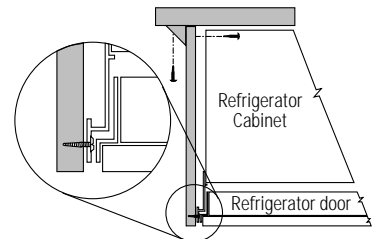
NOTE: 1/2" thick side panels shown. Side panels can be any thickness. Add side panel thickness to outside trim width (42" or 48") to calculate the rough-in dimension. The leading (front) edge must be finished to match surrounding cabinetry.



Frameless Cabinets

Side panels, 1/2" minimum thickness are required when using frameless cabinets. The side panel acts as a spacer between the cabinet and the case trim and prevents interference with cabinet door swing. The leading (front) edge must be finished to match surrounding cabinetry.

1/2" To 3/4" Side Panels. Leading Edge Flush With Cabinet



Installation Preparation

Stainless Steel Built-In Refrigerators

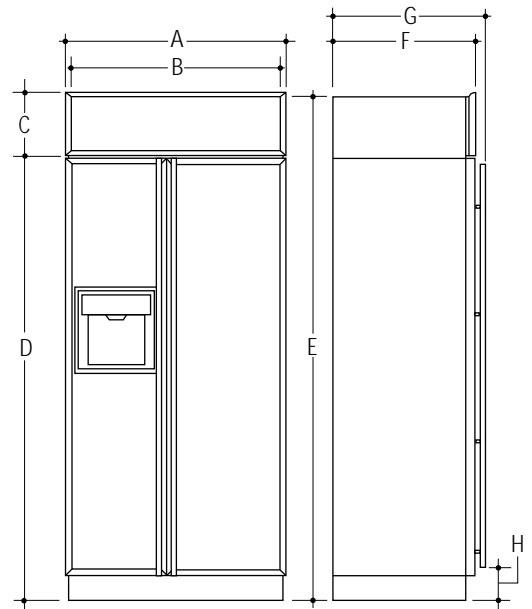
Product Dimensions

Models ZISS42D, ZISS42N
 A – 42" outside trim width
 B – 41" case width

Models ZISS48D, ZISS48N
 A – 48" outside trim width
 B – 47" case width

Both Models
 C – 10-3/4" to 12-1/4"
 D – 72-1/4"
 E – 84" Shipping height
 Adjustable from 83" to 84-1/2"
 F – 24-3/4" (excluding handles)
 G – 26-3/4" (including handles)
 H – 4"

Caution: Refrigerators are much heavier at the top than at the bottom – be extra careful when moving.



Clearances

These refrigerators are equipped with special hinges that allows the door to swing out and away from the cabinet. No clearances are required on the sides.

When the refrigerator is installed in a corner:

- A 4" min. clearance between the case trim and the adjacent wall on both sides of the refrigerator will assure a 90° door opening and access to all drawers.
- A 10" clearance on both sides is required for removal of pans.

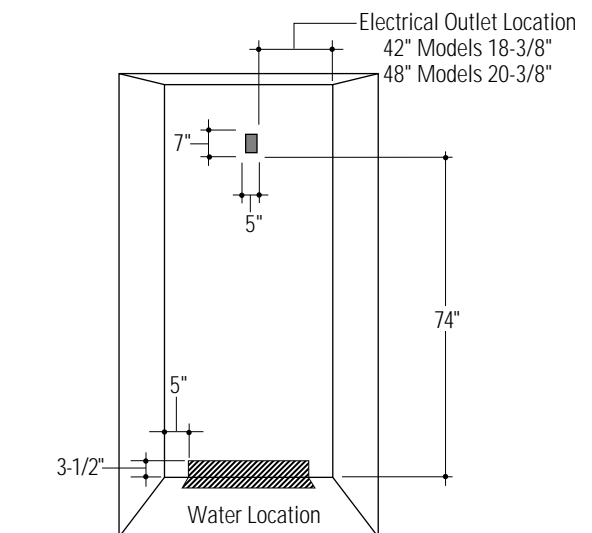
Electrical and Water Connection Locations

The water line can be routed through the floor or back wall.

- Water line should be:
 - Approximately 3-1/2" from the floor on the back wall, or 3-1/2" from the back wall on the floor.
 - At least 5" from either side of the opening.

A 115 volt, 60 Hz. 15 or 20 amp power supply is required. An individual properly grounded branch circuit or circuit breaker is recommended, as noted on the rating plate. The rating plate is located on the top on the evaporator box and is visible when grille panel is removed.

- Locate the electrical outlet within 5" x 7" shaded area shown. From the right side:
 - 18-3/8" for 42" models
 - 20-3/8" for 48" models
- Between 74" and 81" from the floor.



Important: To insure a flush fit and access to the power cord, locate the electrical outlet as shown.

Accessories

These refrigerators are supplied with a grille panel cover sized to fit a typical 84" installation height. If the installation height varies, order:
ZGSSW42 for 42" wide models
ZGSSW48 for 48" wide models

These kits include 3 grille panels for 83", 83-1/2" and 84-1/2" installation heights.

Grounding the Refrigerator

IMPORTANT - (Please read carefully)

FOR PERSONAL SAFETY, THIS APPLIANCE MUST BE PROPERLY GROUNDED.

The power cord of this appliance is equipped with a three-prong (grounding) plug which mates with a standard three-prong (grounding) wall receptacle to minimize the possibility of electric shock hazard from this appliance.

Have the wall outlet and circuit checked by a qualified electrician to make sure the outlet is properly grounded.

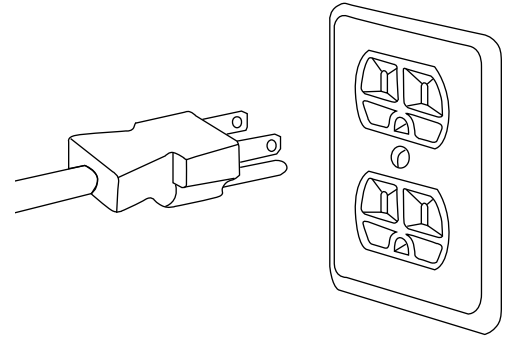
Where a standard 2-prong wall outlet is encountered, it is your personal responsibility and obligation to have it replaced with a properly grounded 3-prong wall outlet.

Use of Adapter plug

Because of potential hazards under certain conditions, we strongly recommend against use of an adapter plug. However, if you still elect to use an adapter, where local codes permit, a TEMPORARY CONNECTION, may be made to a properly grounded 2-prong wall outlet by use of a UL listed adapter available at most hardware stores.

The larger slot in the adapter must be aligned with the larger slot in the wall outlet to provide proper polarity in the connection of the power cord.

CAUTION: Attaching the adapter ground terminal to a wall outlet cover screw does not ground the appliance unless the cover screw is metal, and not insulated, and the wall outlet is grounded through the house wiring. You should have the circuit checked by a qualified electrician to make sure the outlet is properly grounded.



DO NOT, UNDER ANY CIRCUMSTANCES, CUT OR REMOVE THE THIRD (GROUND) PRONG FROM THE POWER CORD.

When disconnecting the power cord from the adapter, always hold the adapter in place with one hand and pulling the power cord with the other hand. If this is not done, the adapter ground terminal is very likely to break with repeated use.

Should the adapter ground terminal break, **DO NOT USE** the appliance until a proper ground has again been established.

Use of Extension Cords

Because of potential safety hazards under certain conditions, we strongly recommend against the use of an extension cord. However, if you still elect to use an extension cord, it is absolutely necessary that it be a UL listed 3-wire grounding type appliance extension cord having a grounding type plug and outlet and that the electrical rating of the cord be 15 amperes (minimum) and 120 volts.

Installation Preparation

Stainless Steel Built-In Refrigerators

Tools Required

- Tinsnips to cut banding
- Stepladder
- Bucket
- Level
- Appliance Hand Truck
- Tubing cutter
- 7/16" open-end wrench
- #2 Phillips screwdriver
- Stubby Phillips screwdriver
- Drill and appropriate bits
- 7/16" socket with 3" extension for ratchet
- Safety glasses

Materials Required

- Side panels to match cabinetry
- 2x4, 42" or 48" long, for Anti-Tip support, see page 10

Hardware Supplied

- 1-1/2" stamped open-end wrench
- Special velcro adhesive strips for 1/4" side panels
- 1/4-1/4 union with nuts

Hardware Recommendations

- Water shut-off valve
- Water filter WR97X0214

Flooring

For proper installation, this refrigerator must be placed on a level surface of hard material that is at the same height as the rest of the flooring. This surface should be strong enough to support a fully loaded refrigerator.

CAUTION: Protect the finish of the flooring. Cut a large section of the cardboard carton and place under the refrigerator where you are working.

Step **1** Remove Packaging

CAUTION: Refrigerator is much heavier at the top than at the bottom – be careful when moving. When using a hand truck, handle from side only.

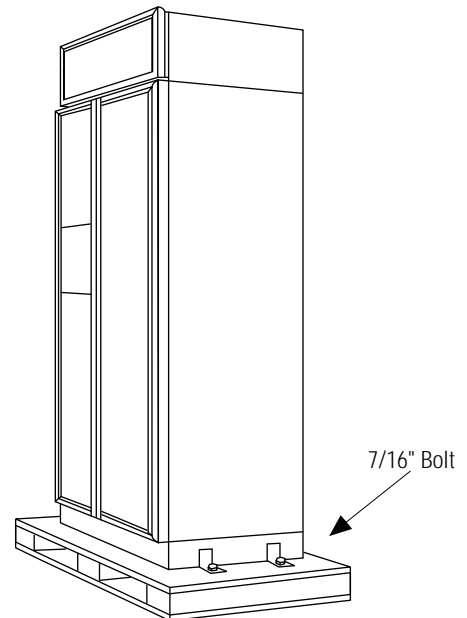
- Remove outer carton.
 - Carefully cut banding at the top and bottom.
- Slide out back corner posts (2).
- Slide carton off top of cabinet.

NOTE: IT IS NOT NECESSARY TO LAY CABINET DOWN IN ORDER TO REMOVE SKID!

- To remove skid, remove the four 7/16" bolts and their brackets.

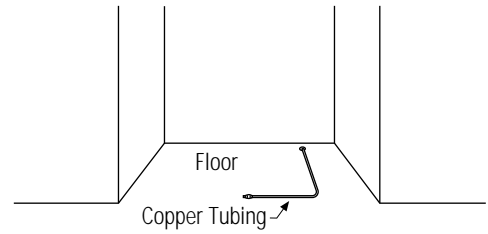
CAUTION: DO NOT ATTEMPT TO ROLL UNIT OFF SKID.

- There are support blocks on the bottom of the cabinet and door. They must be removed before sliding unit off skid or damage will occur.
- Carefully, tilt cabinet and slide blocks out from beneath cabinet, slide unit off skid.
- Remove toekick from the fresh food compartment, set aside for later installation.



Step 2 Install Water Line

- A cold water supply is required for automatic icemaker operation. The water pressure must be between 20 and 120 p.s.i.
- Route 1/4" OD copper tubing between house cold water line and the water connection location.
- Copper tubing should be long enough to extend to the front of the refrigerator. Allow enough to accommodate bend leading into the water valve.

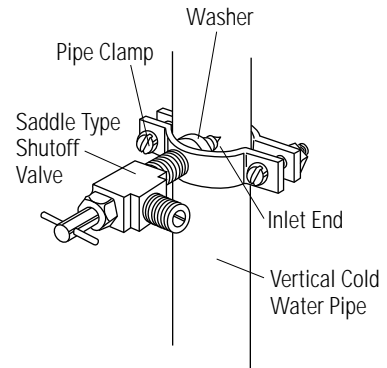


Shut off the main water supply.

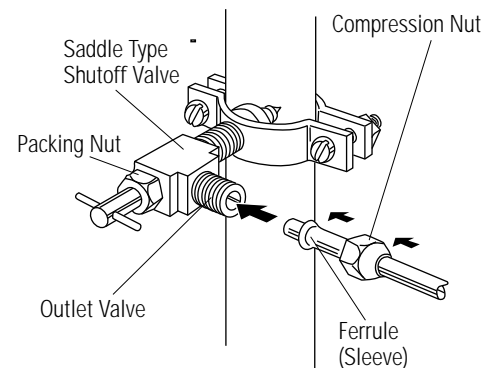
Turn on the nearest faucet long enough to clear the line of water.

Install a shut-off valve between the icemaker water valve and cold water pipe in a basement or cabinet. The shut-off valve should be located where it will be easily accessible.

NOTE: It is best to install the valve into a vertical water pipe. If you install the valve into a horizontal water pipe, make the connection at the top or side, rather than at the bottom, to avoid drawing off any sediment from the water pipe.



- Drill a 1/4" hole in the water pipe.
- Fasten the shut-off valve to the pipe with pipe clamp.
- Tighten the clamp screws until the sealing washer begins to swell. Do not over tighten.
- Place a compression nut and ferrule (sleeve) onto the end of the tubing and connect it to the shut-off valve. Make sure the tubing is fully inserted into the valve and ferrule is tightened.
- Turn on the main water supply and flush debris from the line. Run about a quart of water through the tubing into a bucket. Shut off water supply at the shut-off valve.



NOTE: Saddle type shut-off valves are included in many water supply kits. Before purchasing, make sure a saddle type valve complies with your local plumbing codes.

- Install optional water filter in the water line near the refrigerator. A water filter is recommended in areas where water supply contains sand or particles. Installation instructions are packed with the filter.

Installation

Stainless Steel Built-In Refrigerators

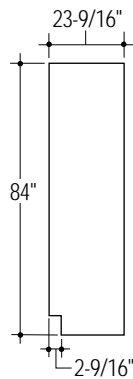
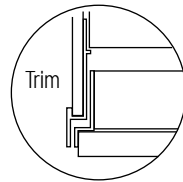
Step 3

Install Side Panels

- Side panels are required whenever the sides of the refrigerator will be exposed and when installed between frameless cabinets. See pages 3 and 4.
- Side panels are not required when the refrigerator is installed into an enclosure.
- Side panel installation will be determined by the design of the side panel you have previously chosen.
- Side panels must be installed plumb.
- If you choose to use 1/4" side panels, they should be inserted into the case trim as illustrated. Fasten the panels to the refrigerator with velcro strips (provided) before setting refrigerator in place. See illustration A.
- 1/2" to 3/4" side panels are normally set into place and fastened to adjacent cabinetry or the back wall before rolling the refrigerator into the opening. See illustrations B and C.

Illustration A

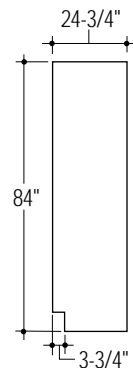
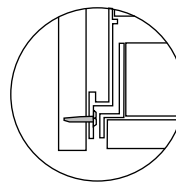
1/4" Side Panels – Insert end of side panel into case trim. Fasten with Velcro strips included.



Standard 4" high toe-kick or trim to fit. Height may vary depending on application.

Illustration B

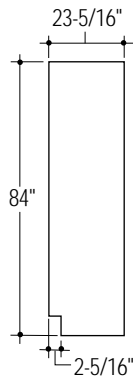
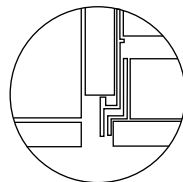
1/2" to 3/4" Side Panels – Leading edge of side panel is flush with cabinet front. Fasten to the back wall using a cleat.



Standard 4" high toe-kick or trim to fit. Height may vary depending on application.

Illustration C

1/2" to 3/4" Side Panels – Recessed front edge of side panel. Fasten to adjacent cabinet.



Standard 4" high toe-kick or trim to fit. Height may vary depending on application.

Step 4

Roll Refrigerator Into Opening

- The cardboard protective pad should be beneath the refrigerator.
- Gently push refrigerator into opening with hands against front corners.
- Roll refrigerator into the opening until it is flush with adjacent cabinets.

Installation

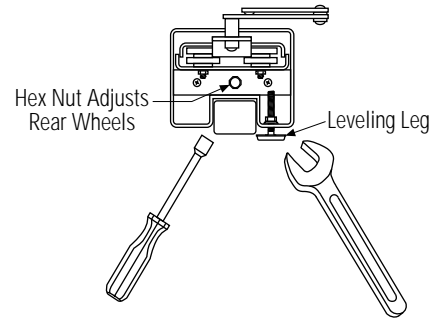
Stainless Steel Built-In Refrigerators

5

Step
Level
Refrigerator

All models have 4-point leveling. The front is supported by leveling legs, the rear is supported by wheels.

- To level the back of the refrigerator, turn the 7/16" hex nut located above the front wheels. Turn to raise or lower the refrigerator.
- For front leveling, use the 1-1/2" open-end wrench (provided).
- Adjust carefully, the refrigerator should be level and plumb with cabinetry, and should align with toekick height.



6

Step
Secure
Refrigerator
Case Trim,
to Side Panel

⚠ WARNING ANTI-TIP PRECAUTIONS
Personal Injury/Property Damage Hazard
The refrigerator is much heavier at the top.

OPTION 1

To prevent the refrigerator from tipping over, you must:

- Install a wood block, the full width of the refrigerator. Secure the block with wood screws penetrating at least 3/4" into wall studs.

OPTION 2

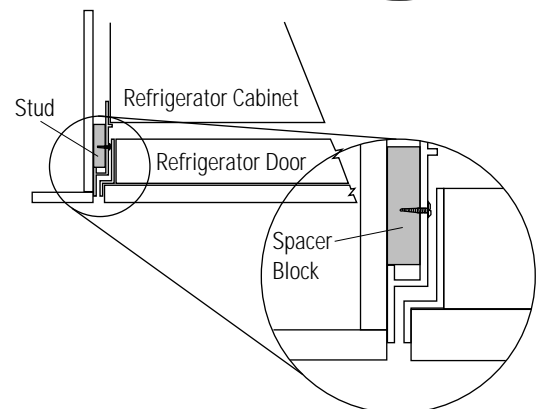
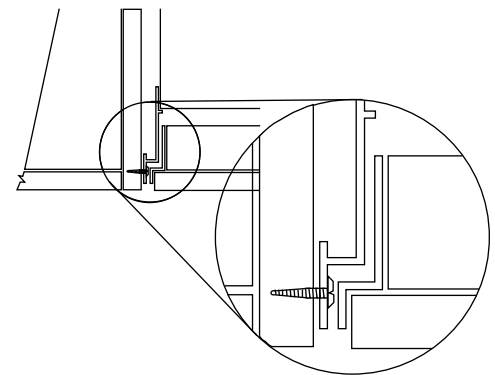
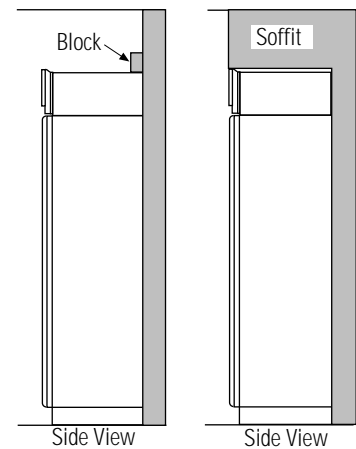
When using 1/2" to 3/4" side panels, the front flange of the case trim should be attached to the side panel.

- Open freezer door to access case trim.
- Drill hole in flange and drive screw through the flange, into the side panel. Follow the same procedure on the fresh food side.

OR

If refrigerator is installed between cabinets with no side panels or in a custom enclosure, install a spacer block as shown.

- Open freezer door to access case trim.
- Drill hole in trim and drive screw through the trim and into the spacer block.
- Follow the same procedure for fresh food side.



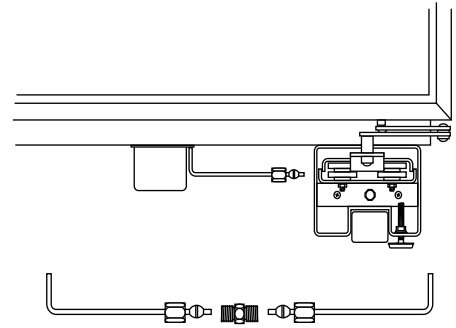
Installation

Stainless Steel Built-In Refrigerators

Step 7 Connect Water Supply

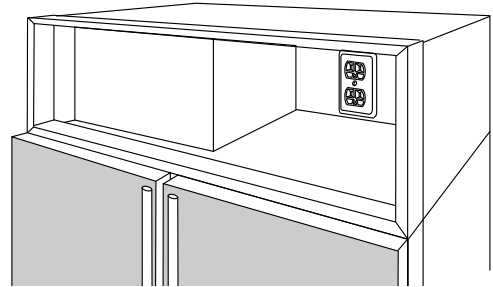
Check to be sure that refrigerator power cord is not plugged into the wall outlet.

- Locate and bring copper tubing to the front of the cabinet.
- The copper tubing should be just long enough to reach the coupling. Excess tubing length could interfere with door closing or toekick installation.
- Slip a 1/4-1/4 union nut (provided) over both ends of the copper tubing at the right front leg of the refrigerator and couple the lines.
- Turn on the water to check for leaks.



Step 8 Connect Power

- Connect the refrigerator power cord plug to properly grounded receptacle, accessible through the top right side of the hood opening.



Step 9 Mount Top Grille Panel

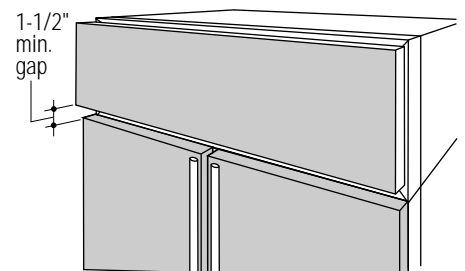
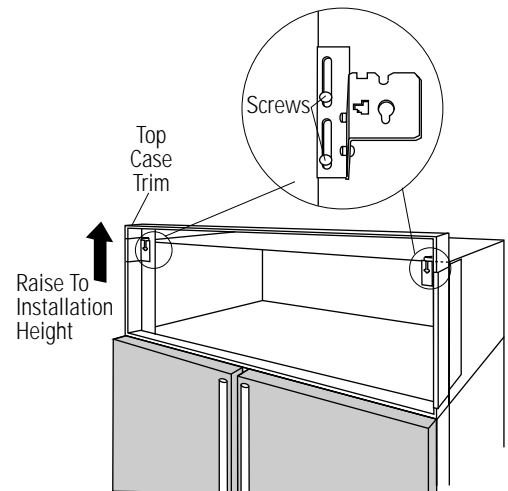
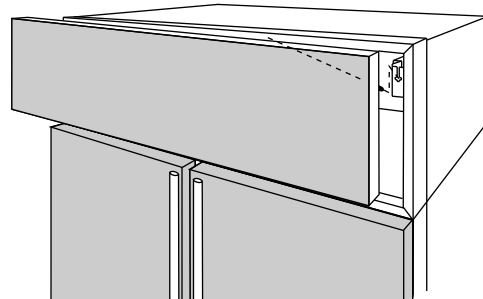
The matching grille panel is sized for an 84" installation height.

- The refrigerator is shipped with the top case trim secured at 84" installation height.

To raise or lower case trim to other installation heights:

- Loosen 2 screws on both sides and raise the case trim to meet soffit height or to the top of adjacent cabinets.
- Tighten all 4 screws.
- Mount the grille panel by dropping into slots on the case trim.

If installation height is more or less than 84", order ZGSSW42 or ZGSSW48 optional grille panel kit which accommodates 83", 83-1/2" and 84-1/2" heights.



Important: Maintain 1-1/2" min. gap between top of doors and bottom of grille panel.

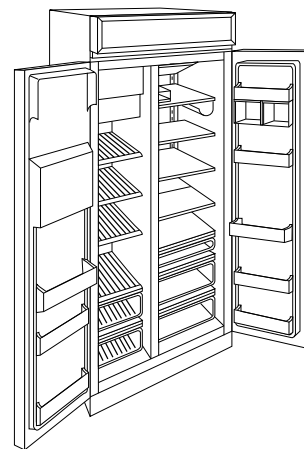
Installation

Stainless Steel Built-In Refrigerators

Step 10

Arrange Interior

- Remove internal packing materials.
- The freezer compartment shelves are turned upside down for shipping. They must be removed and turned right side up. To remove shelf packing, apply upward pressure on the inverted shelf with one hand and hold in place. Remove packing with other hand. Grip shelf with both hands, lower shelf front and remove from cabinet. Turn shelf right side up and install in desired location.
- In the fresh food section, remove packing on each side of shelves.
- Remove tape from all shelves.



Step 11

Temperature Controls

- Set Fresh Food control at "5".
- Set Freezer control at "5".



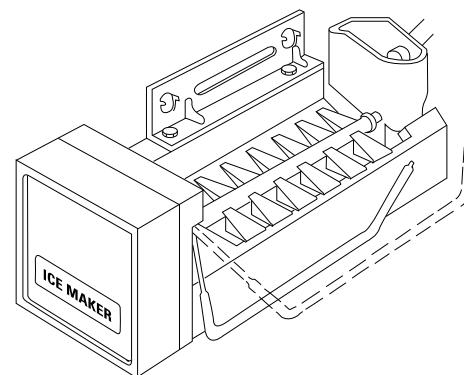
IMPORTANT: Allow 24 hours for temperatures to stabilize before making adjustments.

Step 12

Start Icemaker

- Lower the feeler arm to the ON position and the icemaker will begin operation automatically.
- Discard the first few batches of ice cubes to be sure that any remaining impurities in the water line will be flushed out.

NOTE: During operation, you will hear the hum of the motor, movement of the cube ejector, humming or clicking of the water valve, and ice falling into the bin. These sounds are normal.



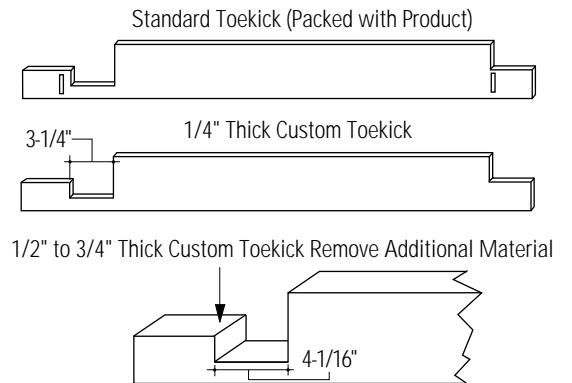
Installation

Stainless Steel Built-In Refrigerators

Step 13

*Install
Toekick*

- A standard toekick is supplied. Install with 2 screws provided, adjust to desired height and tighten screws.
- A custom toekick can be installed to match or complement the surrounding cabinetry.
- A standard toekick is supplied with all models. If a custom toekick is to be installed, use the supplied toekick as a template to cut out notches around hinges and waterline tubing.
- For 1/2" to 3/4" thick custom toekicks, additional material should be removed and cut away. This will allow the water and electrical umbilical tube to rotate smoothly when the door is fully opened.



Problem Solving

Alignment of doors

Door alignment is usually assured when the refrigerator is leveled. If doors are not aligned after leveling the unit, call for service.

Moisture

If moisture forms between the doors or on the cabinet, turn on the energy saver switch. This should only occur when humidity is high.

Operation of Refrigerator

If the refrigerator does not operate after checking the installation instructions:

- Check the electrical connections inside the cooling compartment.
- Check to be sure power cord is plugged in the wall outlet.
- Check to be sure that fuse or circuit breaker is turned on.

If any of these problems persist:

**Call for Monogram local service in your area,
1-800-444-1845.**

In Canada, call 1-888-880-3030.

Cleaning the Stainless Steel Refrigerator

Stainless Steel has some unique cleaning characteristics. In order to keep your refrigerator looking like new, we suggest cleaning it with *Stainless Steel Magic* or a similar product.

Stainless Steel Magic is available at Ace, True Value, Servistar, HWI and other leading stores. It is also available through GE Parts by calling 1-800-626-2002. Order part number WX10X15.

Note: While performing installations described in this book, safety glasses or goggles should be worn.

To obtain specific information concerning any Monogram product or service, call GE Answer Center® consumer information service at 800.626.2000—any time, day or night.

For Monogram local service in your area, call 1-800-444-1845.

NOTE: Product improvement is a continuing endeavor at General Electric. Therefore, materials, appearance and specifications are subject to change without notice.

Pub. No. 49-6951-1
Dwg. No. 197D1310P001
© 1997 GE Appliances
(N.D. 203) 7/98
70602



General Electric Company
Louisville, KY 40225