

# MONOGRAM BEVERAGE CENTER

ZDBR240NBS



When ordering this product, be sure to use the model number associated with the chosen handle.



Statement handle  
ZXGWIH1PPSS



Minimalist handle  
ZXGWIH1CPSS

## MINIMALIST HANDLE

Model is shown with the Minimalist handle, which needs to be ordered separately. To order this handle use model number ZXGWIH1CPSS.



## DIGITAL TOUCH CONTROLS

Provide precise temperature settings for cooling all type of beverages, and an LED display allows easy viewing of temperatures

## STATEMENT AND MINIMALIST COLLECTION REFRIGERATOR HANDLES (SOLD SEPARATELY)

Designed to enhance choice and customization, Statement and Minimalist Collection refrigerators do not come with handles. Handles must be chosen separately and ordered through a Monogram representative

## STORAGE CONVENIENCE

Three removable glass shelves, including a QuickSpace™ shelf, and two full-extension wine racks hold up to 10 wine bottles, as well as 12-ounce cans, quart-size bottles, and two-liter plastic containers

## SOFT INTERIOR LED LIGHTING

Automatically illuminates when the door is open, but can be activated by an internal on/off switch

## CONVENIENT 24" CONFIGURATION

Is fully finished on all sides to allow installation virtually anywhere in the home

## FLUSH INSTALLATION CAPABLE

## REVERSIBLE DOOR SWING

Easily reversed to left or right door swing as needed

## SABBATH MODE

Designed to disable functions in accordance with Sabbath-observing practices



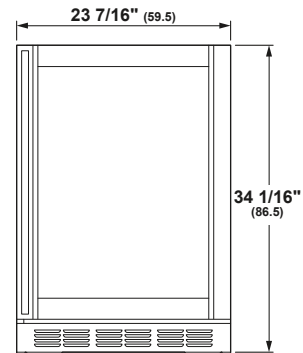
### SPECIFICATIONS

Overall Width	23 7/16" (59.5 cm)
Overall Height	34 1/16" (86.5 cm)
Overall Depth	23 3/8" (59.3 cm)
Door Clearance	9 5/16" (23.6 cm) @ 110° 2" (5.1 cm) @ 90° 23 9/16" (59.8 cm) door length
Overall Capacity	5.5 cu. ft.
Cabinet Depth	24" (61.0 cm)
Cutout Width	23 7/8" (606 mm)
Cutout Height	34 1/2" (87.6 cm) Min 35" (88.9 cm) Max <small>*Note: leveling legs are not retracted.</small>
Electrical Requirements	120 V, 60 Hz, 15 or 20 amp circuit
Shipping Weight	138 lb (62.5 kg)

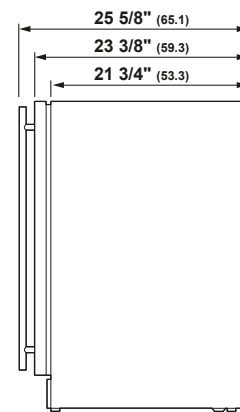
### ATTENTION ELECTRICIAN:

A 115 volt 60Hz, 15 or 20 amp power supply is required. An individual properly grounded branch circuit or circuit breaker is recommended. Install a properly grounded 3-prong electrical receptacle recessed into the back wall.

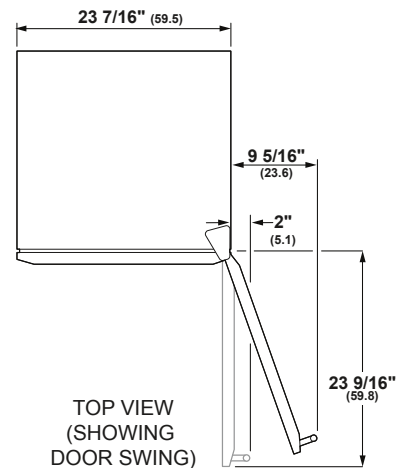
### OVERALL DIMENSIONS



FRONT VIEW



SIDE VIEW

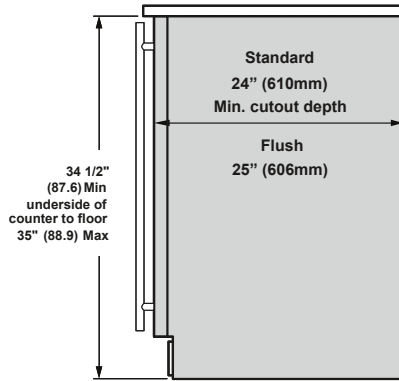


TOP VIEW  
(SHOWING  
DOOR SWING)

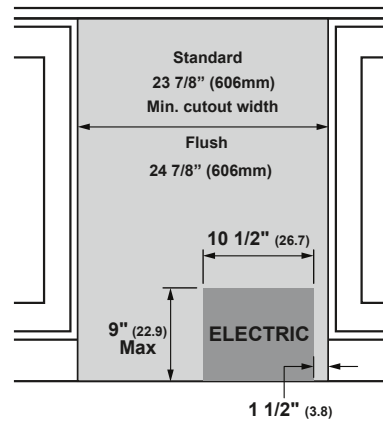
Dimensions in parentheses are in centimeters unless otherwise noted. Actual product dimensions may vary due to manufacturing tolerances.

## INSTALLATION

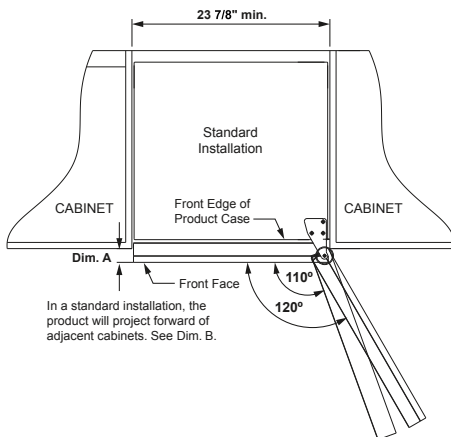
### INSTALLATION CUTOUT SIDE VIEW



### INSTALLATION CUTOUT FRONT VIEW

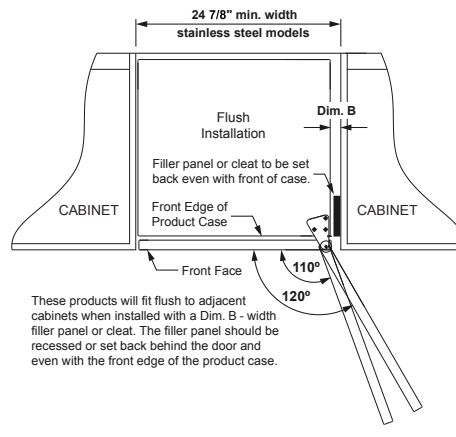


### REFRIGERATION MODULES, TOP VIEW



PRODUCT  
ZDBR240

DIM. B  
1"



PRODUCT  
ZDBR240

DIM. B  
1 1/8"

## NOTES

Please see **Installation Instructions** for detailed instructions and information

- **Installation Space**  
This module can be installed beneath a countertop or can be free-standing.
- For a standard installation of Stainless Steel unit: The product must be installed so that the front face will project forward 1" of adjacent cabinets.
- For a flush installation of Stainless Steel unit: Install a 1 1/8" wide filler strip on the hinge side. The width of the opening must be 24 7/8" wide.

- **Location Requirements**  
All Monogram Refrigeration Modules may be closed in on the top and sides as long as the front is unobstructed for air circulation and door swing.

Do not install these products where the temperatures will go below 55°F (13°C) or above 90°F (32°C).

Do not install where they will be subject to direct sunlight, heat or moisture.

These products are not designed to be stacked one over the other.

- **Side-by-Side Installation**  
For a complete refreshment center, install a Monogram Wine Reserve and Beverage Center together.

- Products must operate from separate properly grounded receptacles.

See Installation Instructions for side-by-side information.