

GDT580SGF/SMF/SSF

GE Appliances Stainless Steel Interior Dishwasher with Hidden Controls

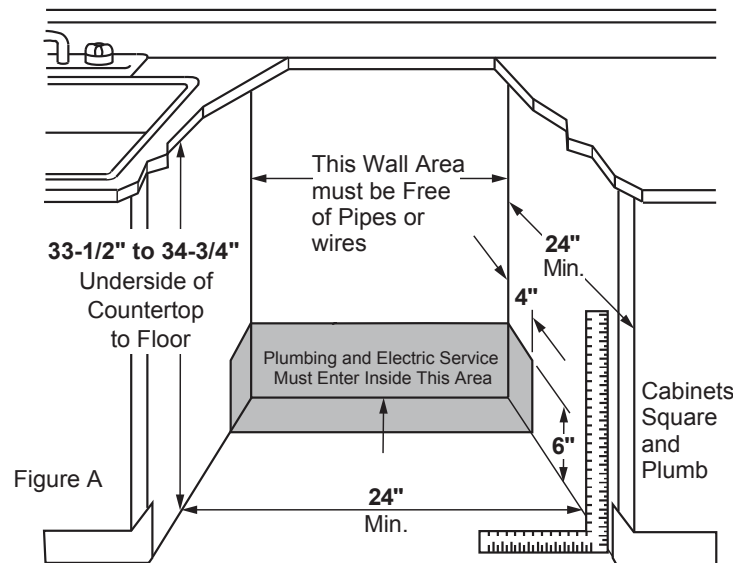
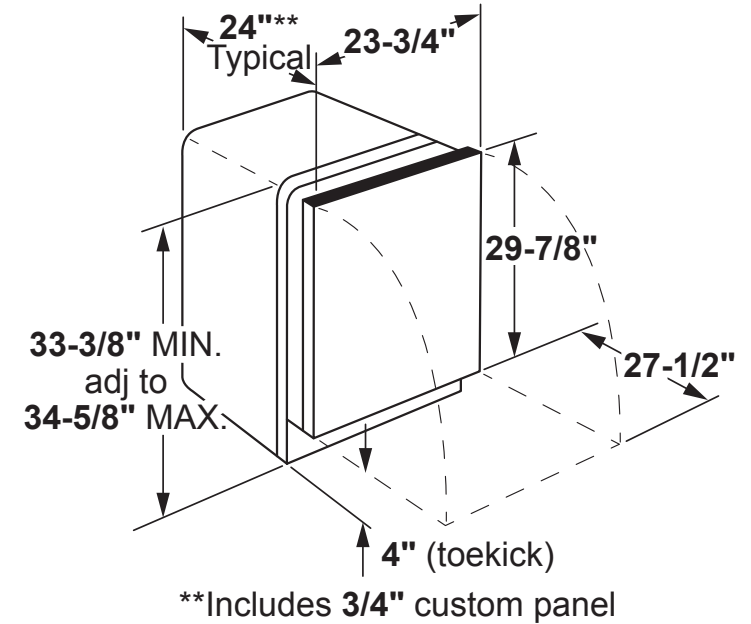
DIMENSIONS AND INSTALLATION INFORMATION (IN INCHES)

ELECTRICAL RATING

Voltage AC.....	120
Hertz.....	60
Total connected load amperage.....	7.1
Calrod® heater watts max.....	415/800

For use on adequately wired 120-volt, 15-amp circuit having 2-wire service with a separate ground wire. This appliance must be grounded for safe operation.

INSTALLATION INFORMATION: Before installing, consult installation instructions packed with product for current dimensional data.



For answers to your Monogram, GE Café™ Series, GE Profile™ Series or GE Appliances product questions, visit our website at geappliances.com or call GE Answer Center® Service, 800.626.2000.



Listed by Underwriters Laboratories



As an ENERGY STAR® partner, GE has determined that this product meets the ENERGY STAR guidelines for energy efficiency.

GDT580SGF/SMF/SSF

GE Appliances Stainless Steel Interior Dishwasher with Hidden Controls

FEATURES AND BENEFITS

Full stainless steel interior - Enjoy an attractive appearance and long-lasting durability

Easy Touch Adjustable Upper Rack with 2 Stem Safe Shelves - Quickly adjust the upper rack 2 inches up or down to accommodate tall glassware and 10 ½" plates with plenty of room in the bottom rack for large platters and cookie sheets

Full Extension Smooth Glide Upper Rack - Loading and unloading is smooth and simple with a durable rack that fully extends on ball bearings

Hidden Vent with Fan Dry - Dishes dry quickly and efficiently with a fan that extracts moisture from the interior

Lower Rack Multi-Position Fold-Down Tines and Wash Your Way

Customizable Rack - Configure racks to fit your dishes with adjustable loading options and multi-position, fold-down tines

48 dBA with status light on door - A dishwasher this quiet has a status light to let you know it is running

Model GDT580SSFSS - Stainless steel

Model GDT580SGFWW - White

Model GDT580SGFBB - Black

Model GDT580SMFES - Slate

