

GE Monogram[®]

Installation

Instructions

Stainless Steel
Refrigerator

Model

ZFSB27D SS

Before you begin—Read these instructions completely and carefully.

IMPORTANT: Save these instructions for local inspector's use.

IMPORTANT: OBSERVE ALL GOVERNING CODES AND ORDINANCES.

NOTE TO INSTALLER: Be sure to leave these instructions with the Consumer.

NOTE TO CONSUMER: Keep these instructions with your Use and Care Book for future reference.

This appliance must be properly grounded. See “Grounding the Refrigerator”, page 4.

If you have a question concerning the installation of this product, call the GE Answer Center® Consumer Information Service at 800.626.2000, 24 hours a day, 7 days a week.

If you received a damaged refrigerator, you should immediately contact your dealer or builder.

Proper installation is the responsibility of the installer. Product failure due to improper installation is not covered under the GE Appliance Warranty. See the Use & Care Guide for Warranty information.

WARNINGS:

- Use this appliance only for its intended purpose.
- Immediately repair or replace electric service cords that become frayed or damaged.
- Unplug the refrigerator before cleaning or making repairs.
- Repairs should be made by a qualified service technician.

For Monogram local service in your area, 1-800-444-1845.

For Monogram service in Canada, 1-888-880-3030.

For Monogram Parts and Accessories, call 1-800-626-2002.

Contents

Installation Preparation

Water Connection Location, Electrical.....	3
Product Dimensions & Clearances	3
Grounding the Refrigerator	4

Installation

Step 1, Remove Packaging	5
Step 2, Install Water Line	6
Step 3, Connect Water Supply	6
Step 4, Connect Power	7
Step 5, Start Icemaker	7
Step 6, Roll Refrigerator into Position	7
Step 7, Level The Refrigerator	7

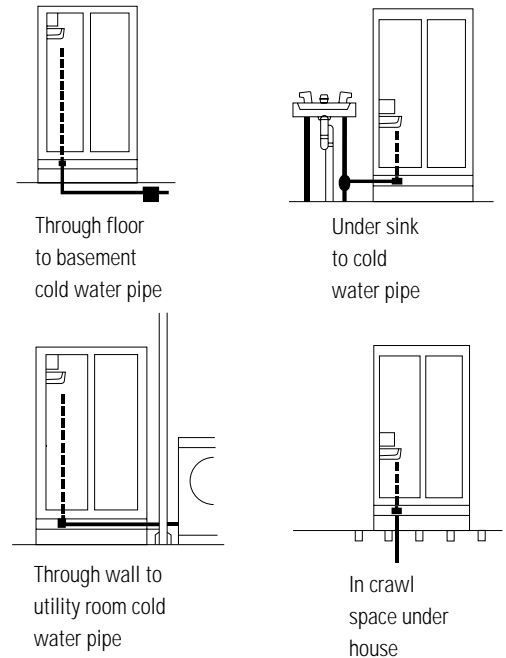
Installation Preparation

Stainless Steel Refrigerator

Water Connection Location, Electrical

The water line can be routed through the floor or through an adjacent cabinet, as close to the back wall as possible.

A 115 volt, 60 Hz. 15 or 20 amp power supply is required. An individual properly grounded branch circuit or circuit breaker is recommended, as noted on the rating plate. The rating plate is located on the bottom of the cabinet front of the fresh food compartment and is visible when the door is opened.



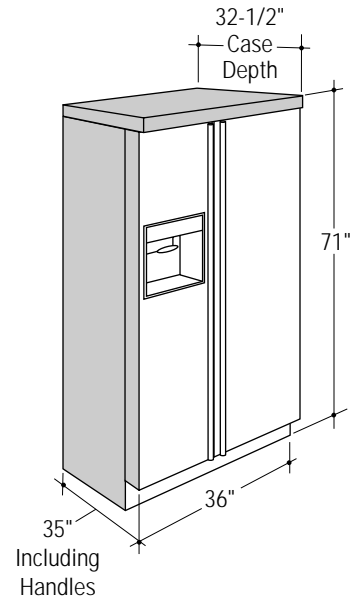
Product Dimensions & Clearances

This monogram free-standing refrigerator requires the following clearances for proper air circulation, plumbing and electrical connections.

- Sides 5/8"
- Top 1"
- Back 1"

If the refrigerator is to be installed in a corner:

- A 1-1/2" clearance between the case trim and the adjacent wall on both sides of the refrigerator will assure a 90° door opening and access to all drawers.
- Allow 11-1/4" clearance on the freezer side for removal of ice bin.
- On the fresh food side, drawers can be removed by first disassembling door bins. Or, allow 14" clearance to remove drawer without disassembling the door bins.



Tools and Materials Required

- | | | |
|--------------------------------------|-----------------|---|
| • Bucket | • Tubing cutter | • Drill and appropriate bits |
| • Safety glasses | • Tin snips | • Copper tubing |
| • Water shut-off valve (recommended) | | • 1/4" O.D. Compression nuts and 2 ferrules (sleeves) |

Flooring

For proper installation, this refrigerator must be placed on a level surface of hard material that is at the same height as the rest of the flooring. This surface should be strong enough to support a fully loaded refrigerator.

CAUTION: Protect the finish of the flooring. Cut a large section of the cardboard carton and place under the refrigerator while you are working.

Installation Preparation

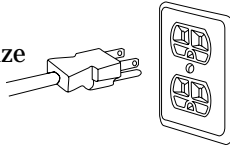
Stainless Steel Refrigerator

Grounding the Refrigerator

IMPORTANT - (Please read carefully)

FOR PERSONAL SAFETY, THIS APPLIANCE
MUST BE PROPERLY GROUNDED.

The power cord of this appliance is equipped with a three-prong (grounding) plug which mates with a standard three-prong (grounding) wall receptacle to minimize the possibility of electric shock hazard from this appliance.



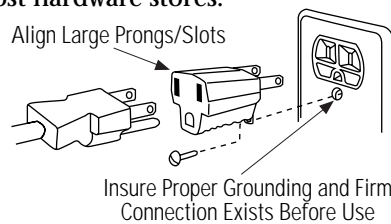
Have the wall outlet and circuit checked by a qualified electrician to make sure the outlet is properly grounded.

Where a standard 2-prong wall outlet is encountered, it is your personal responsibility and obligation to have it replaced with a properly grounded 3-prong wall outlet.

DO NOT, UNDER ANY CIRCUMSTANCES, CUT OR REMOVE THE THIRD (GROUND) PRONG FROM THE POWER CORD.

Use of Adapter plug

Because of potential hazards under certain conditions, we strongly recommend against use of an adapter plug. However, if you still elect to use an adapter, where local codes permit, a TEMPORARY CONNECTION, may be made to a properly grounded 2-prong wall outlet by use of a UL listed adapter available at most hardware stores.



The larger slot in the adapter must be aligned with the larger slot in the wall outlet to provide proper polarity in the connection of the power cord.

Use of an adapter plug will increase the clearance needed for the back of the refrigerator.

CAUTION: Attaching the adapter ground terminal to a wall outlet cover screw does not ground the appliance unless the cover screw is metal, and not insulated, and the wall outlet is grounded through the house wiring. You should have the circuit checked by a qualified electrician to make sure the outlet is properly grounded.

When disconnecting the power cord from the adapter, always hold the adapter in place with one hand and pulling the power cord with the other hand. If this is not done, the adapter ground terminal is very likely to break with repeated use.

Should the adapter ground terminal break, DO NOT USE the appliance until a proper ground has again been established.

Use of Extension Cords

Because of potential safety hazards under certain conditions, we strongly recommend against the use of an extension cord. However, if you still elect to use an extension cord, it is absolutely necessary that it be a UL listed 3-wire grounding type appliance extension cord having a grounding type plug and outlet and that the electrical rating of the cord be 15 amperes (minimum) and 120 volts.

Installation

Stainless Steel Refrigerator

Step 1 Remove Packaging

Use a hand-truck to move this refrigerator.

- To remove the skid, lay the refrigerator on its back and remove the shipping bolts.

Before moving the refrigerator indoors:

- Cut the banding with tin snips.
- Remove outer carton.
- Slide out 4 corner posts.
- Remove plastic wrapping.

CAUTION Door and passageways into the installation location require a 36" min. opening. If the opening is less than 36", the top cap and doors must be removed.

To remove top cap:

- On the back side of the refrigerator, remove 1 screw located under the top cap on each side. **IMPORTANT:** These screws must be re-installed when top cap is replaced.
- Push the top cap forward, slipping the cap through key hole slots, lift off cap.
- Remove 2 screws on the top of the refrigerator case and lift off cap filler strip.

To Remove the Fresh Food Door:

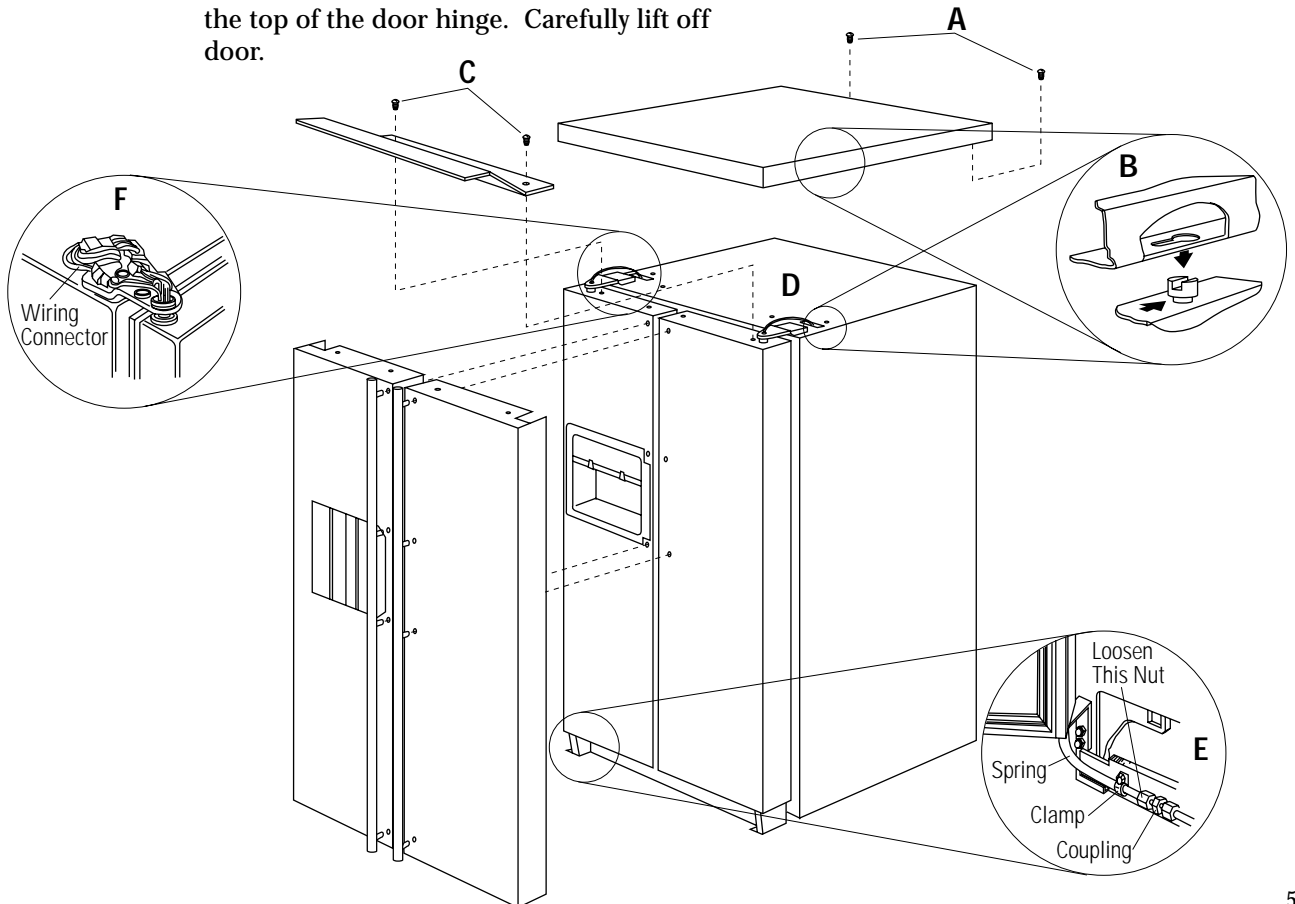
- On the fresh food side, loosen the screw at the top of the door hinge. Carefully lift off door.

To remove the freezer door:

- Open the freezer door and remove the base grille.
- Plastic tubing enters the freezer door through the bottom hinge. Remove the tubing clamp and loosen the coupling nut.
 - Pull the tubing away from the coupling and close the door.
 - Loosen the screw at the top of the door hinge. Disconnect the wiring harness connector.
 - Hold the door closed and remove the bottom hinge screws.
 - Remove the door together with both hinges to avoid damage to the wiring harness or water tubing.

To move the refrigerator indoors:

- Place a piece of the carton against the side panel of the refrigerator as a pad to protect the stainless steel finish.
- Place the refrigerator on the hand-truck with a side panel against the truck.
- Replace the refrigerator doors and top cap following the same procedures in reverse order. Be sure to replace the screws on the back side under the top cap.



Installation

Stainless Steel Refrigerator

Step 2

Install Water Line

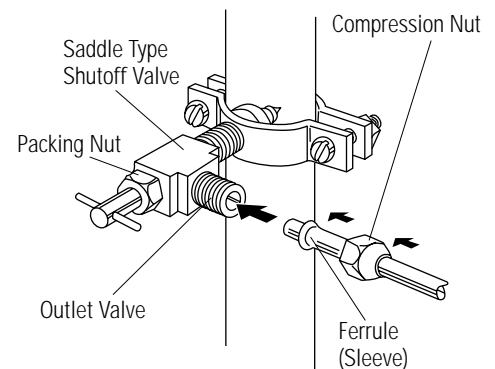
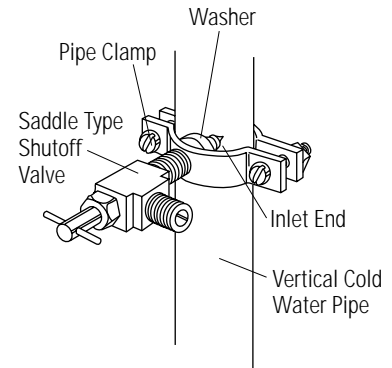
- A cold water supply is required for automatic icemaker operation. The water pressure must be between 20 and 120 p.s.i.
- Route 1/4" OD copper tubing between house cold water line and the water connection location.
- Measure the distance from the water valve on the back of the refrigerator to the water supply line. Add 8 foot length to allow the refrigerator to be moved away from the wall after installation. Bend the tubing into 3 coils of about 10".

Shut off the main water supply.

Turn on the nearest faucet long enough to clear the line of water.

Install a shut-off valve between the icemaker water valve and cold water pipe in a basement or cabinet. The shut-off valve should be located where it will be easily accessible.
NOTE: If you must install the valve into a horizontal water pipe, make the connection at the top or side, rather than at the bottom, to avoid drawing off any sediment from the water pipe.

- Drill a 1/4" hole in the water pipe.
- Fasten the shut-off valve to the pipe with pipe clamp.
- Tighten the clamp screws until the sealing washer begins to swell. Do not over tighten.
- Place a compression nut and ferrule (sleeve) onto the end of the tubing and connect it to the shut-off valve. Make sure the tubing is fully inserted into the valve and ferrule is tightened.



- Turn on the main water supply and flush debris from the line. Run about a quart of water through the tubing into a bucket. Shut off water supply at the shut-off valve.

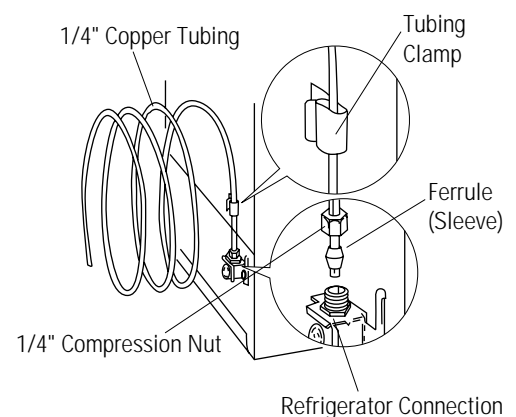
NOTE: Saddle type shut-off valves are included in many water supply kits. Before purchasing, make sure a saddle type valve complies with your local plumbing codes.

Step 3

Connect Water Supply

Check to be sure that refrigerator power cord is not plugged into the wall outlet.

- Remove the plastic flexible cap from the water valve.
- Place compression nut and ferrule (sleeve) onto the end of the tubing as shown.
- Insert the end of the copper tubing into the water valve connection as far as possible. Hold the tubing in place and tighten the fitting.
- Fasten the copper tubing into the clamp provided to hold it in a vertical position. You may need to pry open the clamp.
- Turn on the water at the shut-off valve to check for leaks.



Installation

Stainless Steel Refrigerators

Step 4 Connect Power

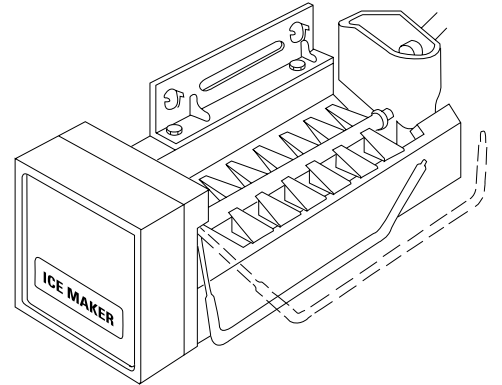
- Connect the refrigerator power cord plug to properly grounded receptacle.

Step 5 Start Icemaker

The icemaker will not begin to operate until it reaches its operating temperature of 15°F. (-9°C.) or below.

- Lower the feeler arm to the ON position and the icemaker will begin operation automatically.
- Make sure the ice bin is pushed back all the way to the stops on the shelf below the icemaker.
- Discard the first few batches of ice cubes to be sure that any remaining impurities in the water line will be flushed out.

NOTE: The icemaker may double-cycle when it first starts, causing some water spillage from the icemaker into the ice bucket. This is normal and should not happen again.



Step 6 Roll Refrigerator Into Position

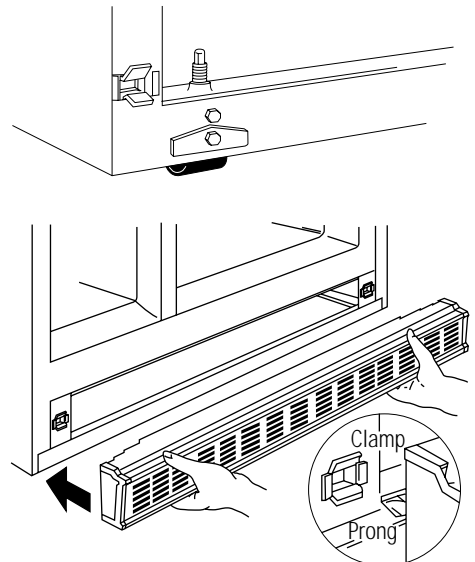
- Push the refrigerator into position being careful not to entangle power cord. Arrange the coil of copper tubing so that it does not vibrate against the back of the refrigerator.
- Remove internal packing materials and set shelves to desired positions.

Step 7 Level The Refrigerator

- Remove the base grille by gasping it at the bottom and pulling outwards.
- Turn the roller adjusting screws clockwise to raise the refrigerator, counterclockwise to lower it. Use an adjustable wrench (3/8" hex head bolt) or pliers.

NOTE: When leveling, you can improve door closure by raising the front approximately 5/8" from the floor.

- Replace base grille by aligning prongs with clamps on the cabinet and pushing forwards until the grille snaps into place.



Note: While performing installations described in this book, safety glasses or goggles should be worn.

To obtain specific information concerning any Monogram product or service, call GE Answer Center® consumer information service at 800.626.2000—any time, day or night.

For Monogram local service in your area, call 1-800-444-1845.

NOTE: Product improvement is a continuing endeavor at General Electric. Therefore, materials, appearance and specifications are subject to change without notice.

Pub. No. 49-6894-2
Dwg. No. 162D9886P001
© 1998 GE Appliances
Printed in USA
(N.D. 175) 6/98



General Electric Company
Louisville, KY 40225