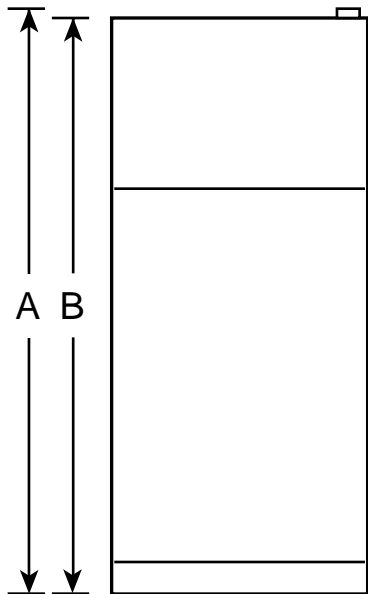


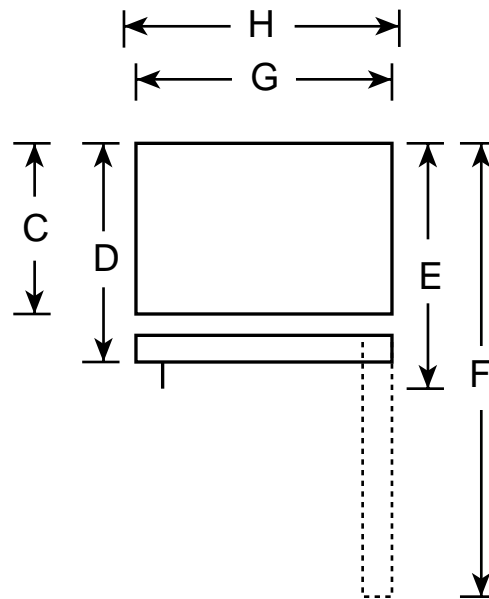
HOTPOINT

HTS22GCM—Hotpoint 21.8 Cu. Ft. Top-Freezer Refrigerator with Icemaker

Front View



Top View



Overall Dimensions	Height with hinge (in.) A	67-1/2
	Height without hinge (in.) B	66-7/8
	Depth without Doors (in.) C	27-5/8
	Depth with Doors (in.) D	31-5/8
	Depth plus Handle with Doors Closed (in.) E	33-5/8
	Depth with Doors open 90° (in.) F	63
	Width with Doors Closed (in.) G	32-7/8
	Width with Doors open 90° Less Door Handles (in.) H	33
Air Clearances	Each side (in.)	1/8
	Top (in.)	1
	Back (in.)	1

Note: Before installing, consult installation instructions packed with product for current dimensional data.



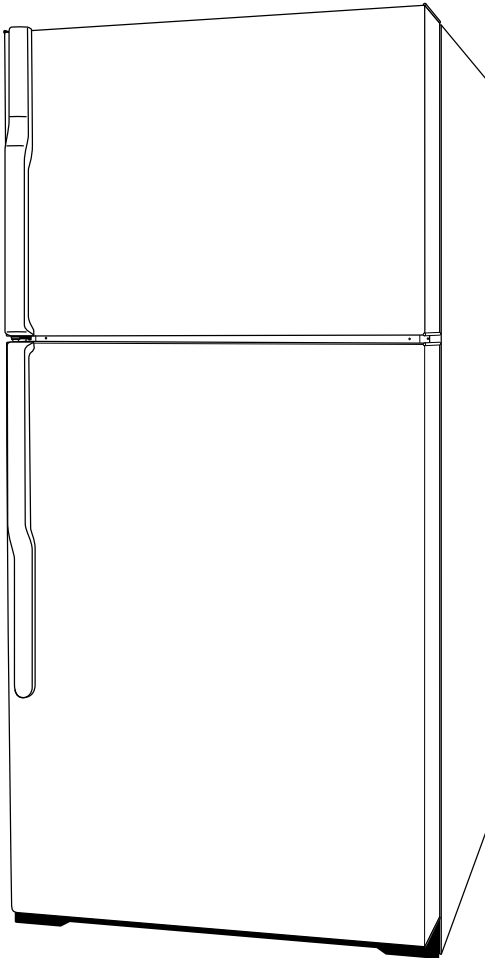
Total volume and shelf area are calculated by the Association of Home Appliance Manufacturers' standards.



Listed by Underwriters Laboratories

HOTPOINT

HTS22GCM—Hotpoint 21.8 Cu. Ft. Top-Freezer Refrigerator with Icemaker



Features and Benefits

- 21.8 cu. ft. Capacity (Fresh Food 15.47 cu. ft. / Freezer 6.37 cu. ft.)
- Equipped with Factory-Installed Automatic Icemaker
- 2 Vegetable/Fruit Crispers
- Snack Pan
- Pivot-Out Pans
- 2 Adjustable Full-Width Glass Fresh Food Cabinet Shelves
- 2 Fixed Fresh Food Door Bins (1 with Gallon Storage)
- 1 Split Fixed Fresh Food Gallon Door Shelf
- Dairy Compartment
- Utility Bin
- FrostGuard™
- 1 Adjustable Full-Width Wire Everwhite Freezer Compartment Shelf
- Spill Proof Freezer Floor
- Ice Storage Bin
- 2 Fixed Freezer Door Shelves
- Deluxe Quiet Design
- Color-Matched Door Handles
- Model HTS22GCMWW—White on white
- Model HTS22GCMCC—Bisque