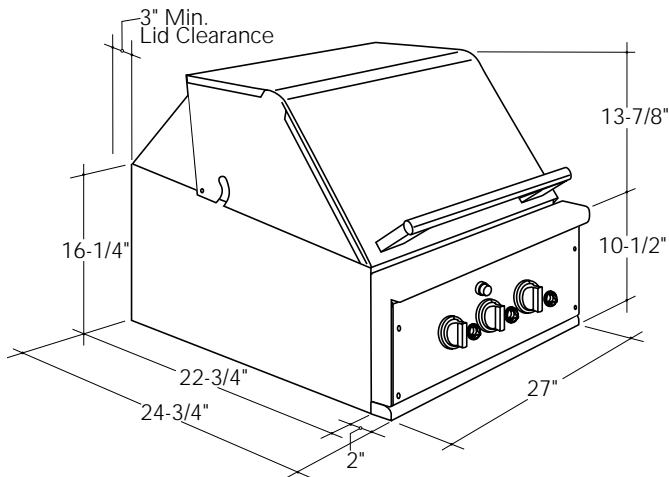




Monogram™

ZGG27L20ASS--GE Monogram 27" Outdoor Cooking Center

Dimensions and Specifications (in inches)



27" Liquid Propane Gas Model:

2 Grill Burners

- *Monogram Outdoor Cooking Centers are designed to be installed on a grill cart or into an enclosure.*
- **These cooking centers are designed for outdoor use only.** *Do not locate the grill in a building, garage or other enclosed area.*
- *Ensure that fresh air ventilation is adequate.*
- *Consider exposure to wind and proximity to traffic paths.*
- *The minimum clearances to combustibles must be maintained at all times.*
- *Do not install a grill below overhead unprotected combustible construction.*
- *The installation must conform to local codes or in the absence of local codes, with the national fuel gas code, ANSI Z223 latest edition.*

Note: Reference pub. no. 49-8843, Monogram Outdoor Cooking Center Installation Instructions, for complete details. Reference pub.no. 49-8841, Monogram Outdoor Cooking Center Cart Installation Instructions, for complete details.

For answers to your Monogram®,
GE Profile Performance Series™,
GE Profile™ or GE appliance questions, call
GE Answer Center® service, 800.626.2000.



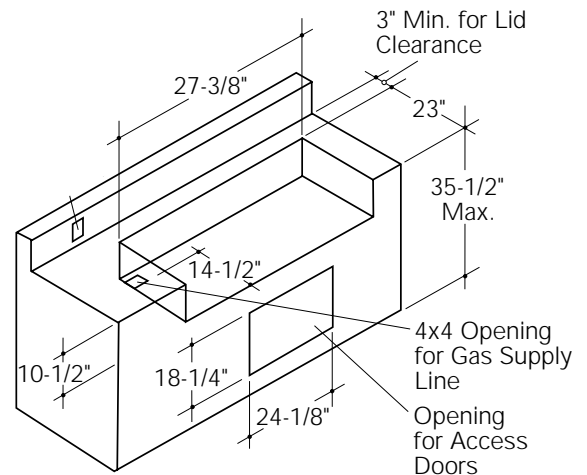
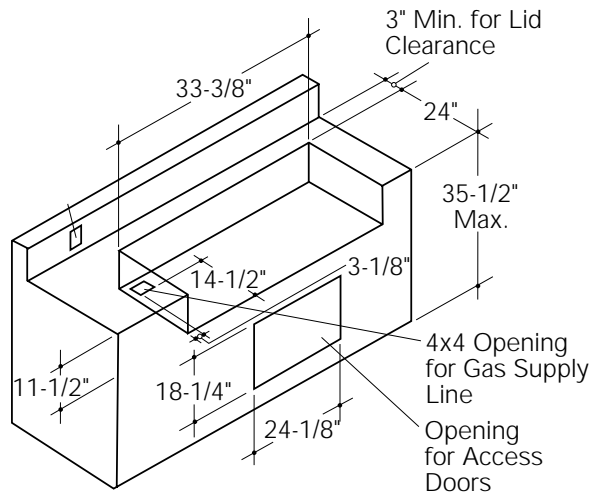
Listed by
Underwriters
Laboratories



Monogram™

ZGG27L20ASS—GE Monogram 27" Outdoor Cooking Center

Dimensions and Specifications (in inches)



Installation in a combustible enclosure. ZX27JYSS insulated jacket is required.

- The insulated jacket must be supported from the bottom by a solid deck or ledge on each side beneath the jacket.
- Construct the enclosure as shown and place the insulated jacket into the enclosure. Place the cooking center into the jacket. No installation hardware is required.

Installation in a non-combustible enclosure

- In a non-combustible (masonry) enclosure, the grill drops into the opening. A deck or ledge on each side is required for support from the bottom.

Clearances - All Models

- Allow 3" at the rear for lid clearance.
- Allow at least 12" clearance at the back of the grill when exhaust is directed to a window or a surface that is difficult to clean.
- Allow at least 6" clearance on each side to any non-combustible material located above the cooking surface for counterspace. Rotisserie models also require 6" clearance for placing and handling the motor and skewer.
- Allow at least 12" clearance on each side to combustible vertical materials.

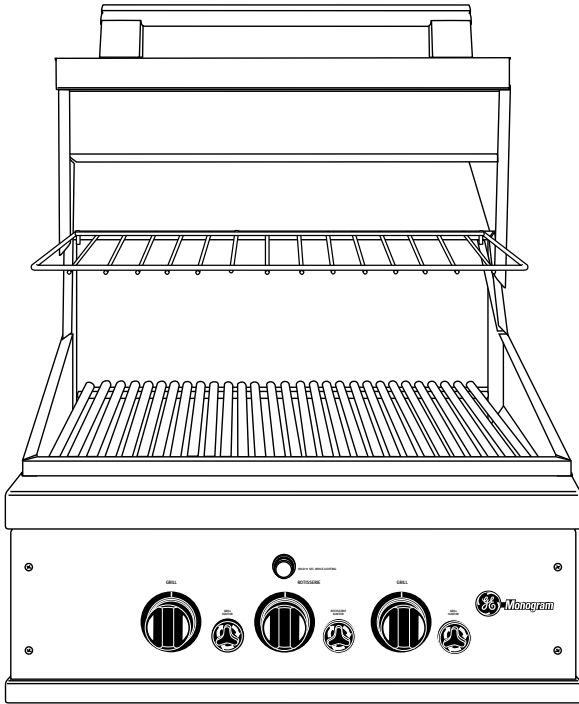
For answers to your Monogram®
 GE Profile Performance Series™
 GE Profile™ or GE appliance questions, call
 GE Answer Center® service, 800.626.2000.





Monogram™

ZGG27L20ASS--GE Monogram 27" Outdoor Cooking Center



Features and Benefits

- *Liquid Propane Model (LP Tank Included)*
- *2 (20,000 BTU) Cast Iron Gas Grill Burners*
- *Warming Rack*
- *Rotary Multi-Spark Piezo Ignition*
- *Brass Control Valves*
- *Steel, Porcelain-Enameled Grill Grates*
- *Stainless Steel, Slide-Out Drip Tray*
- *Flexible Installation*
- *Model ZGG27N20YSS - Natural gas*
- *Model ZGG27L20ASS - Liquid propane*