



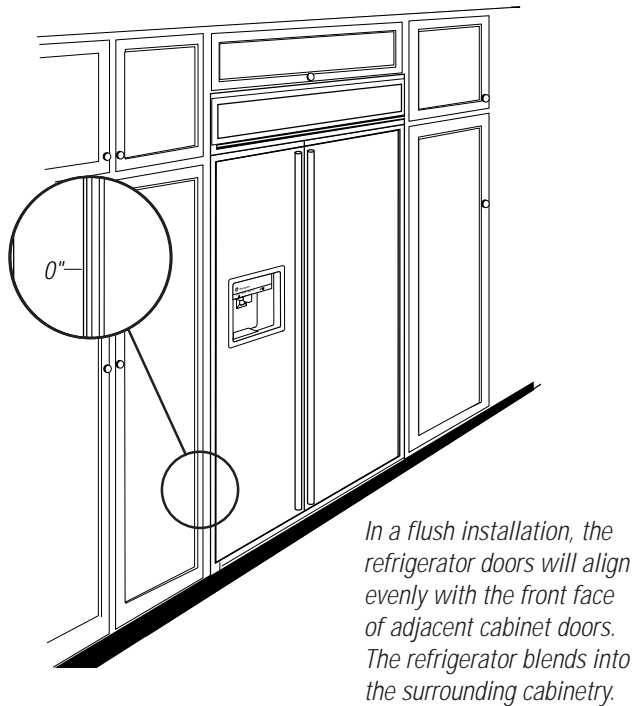
Monogram™

ZISS42DCSS - GE Monogram 42" Built-In Refrigerator with Dispenser and Water Filter

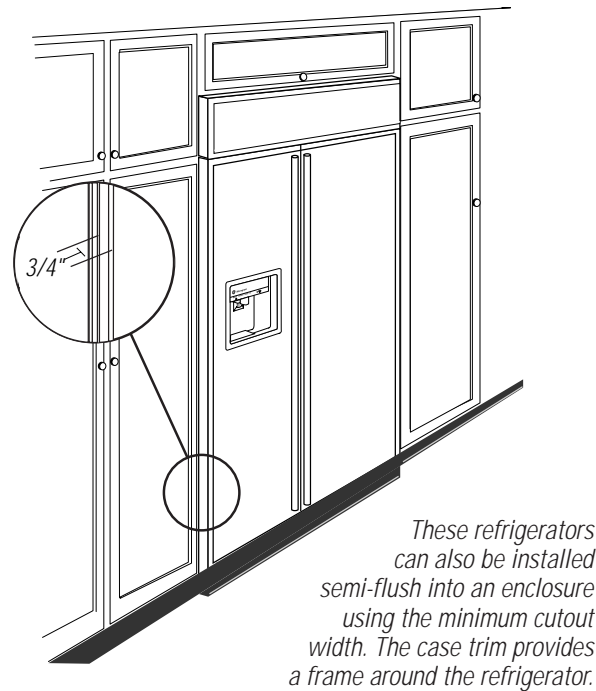
Design Information

Advanced Planning for a Flush or Semi-Flush Enclosure Installation

True Flush Installation



Semi-Flush Installation



Monogram built-in refrigerators can be installed flush with typical 24-3/4" deep cabinetry.

When installed semi-flush, the case trim will conceal slight gaps around the enclosure. The refrigerator will project forward approximately 3/4" beyond the front face of surrounding cabinetry.

Side Panels Requirements:

- Side panels are not required whenever the refrigerator is installed into an enclosure or between pantry and oven cabinets.
- Side panels are required whenever the sides of the refrigerator are exposed.
- Side panel sizes vary depending on type of installation being made.

For an attractive installation, you must:

1. Determine the need for side panels.
2. Determine side panel thickness.
3. Order matching side panels from the cabinet manufacturer. Be sure to provide the exact dimensions.

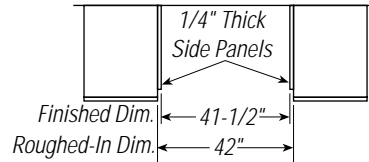
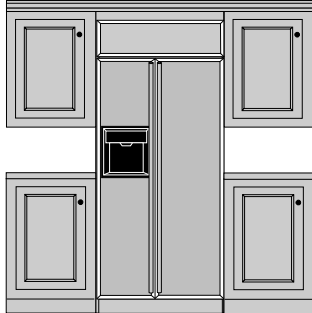
For answers to your Monogram®, GE Profile Performance Series™, GE Profile™ or GE appliance questions, call GE Answer Center® service, 800.626.2000.



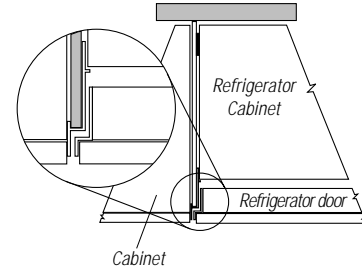
Monogram™

ZISS42DCSS - GE Monogram 42" Built-In Refrigerator with Dispenser and Water Filter

Design Information Installation Between Base & Wall Cabinets

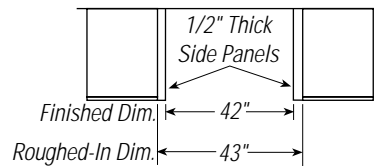
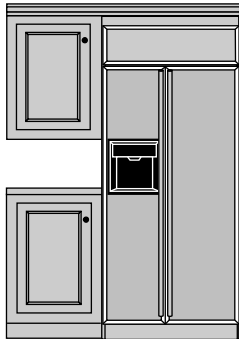


Note: 1/4" thick side panels can be inserted into the case trim, making the rough-in the same as the outside trim width, 42".

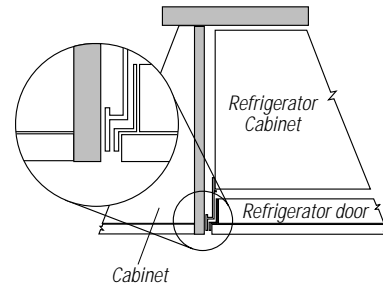


1/4" Side Panels. Insert end of side panel into trim.

Installation at End of Run



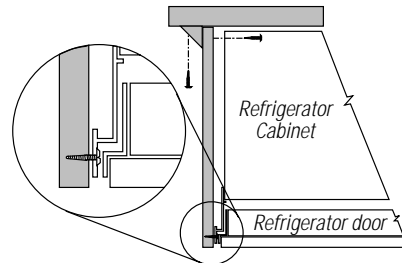
Note: 1/2" thick side panels shown. Side panels can be any thickness. Add side panel thickness to outside trim width (42") to calculate the rough-in dimension. The leading (front) edge must be finished to match surrounding cabinetry.



1/2" To 3/4" Side Panels. Leading Edge Flush With Cabinet.

Frameless Cabinets

Side panels, 1/2" minimum thickness are required when using frameless cabinets. The side panel acts as a spacer between the cabinet and the case trim and prevents interference with cabinet door swing. The leading (front) edge must be finished to match surrounding cabinetry.



1/2" To 3/4" Side Panels. Leading Edge Flush With Cabinet.

For answers to your Monogram®,
GE Profile Performance Series™,
GE Profile™ or GE appliance questions, call
GE Answer Center® service, 800.626.2000.

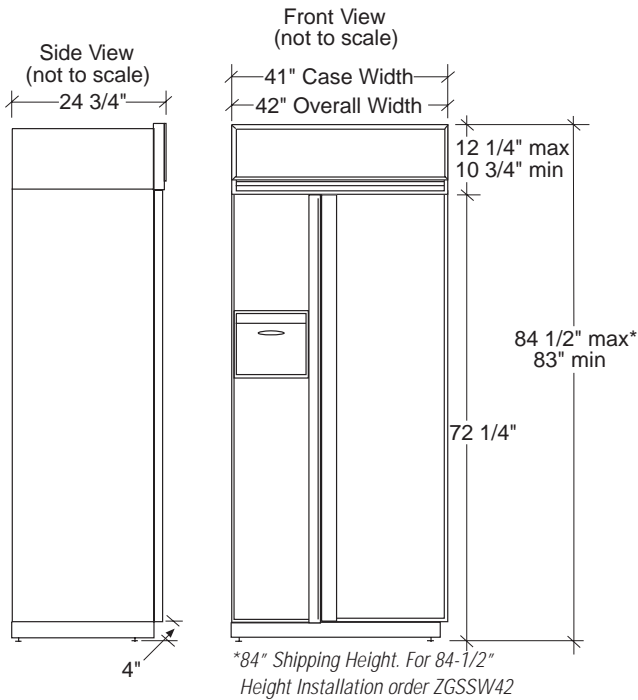




Monogram™

ZISS42DCSS - GE Monogram 42" Built-In Refrigerator with Dispenser and Water Filter

Dimensions and Specifications (in inches)



Enclosure Cutout and Product Dimensions:

- To achieve a flush fit the finished cutout width must be at least 42".
- For a Semi-Flush installation, the finished cutout width must be 41-1/2".
- The electrical and water locations must be located as shown for either type of installation.

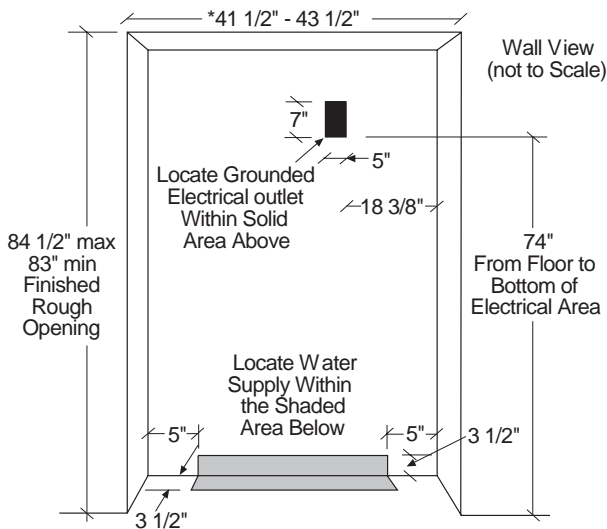
Optional Kit:

- ZGSSW42: Adjustable Grille Panel Kit that provides optional side trim pieces and stainless steel panels for 83", 83-1/2" and 84-1/2" installation heights.*

Additional Specifications: A 115 volt 60 Hz., 15 or 20 amp power supply is required. An individual properly grounded branch circuit or circuit breaker is recommended. Install a properly grounded 3-prong electrical receptacle recessed into the back wall. Electrical must be located on rear wall within the 5" x 7" shaded area shown.

Water line can enter opening through the floor or back wall. The water line should be 1/4" O.D. copper tubing between the cold water line and water connection location, long enough to extend to the front of the refrigerator. Installation of an easily accessible shut off valve in the water line is recommended.

Clearances: If the refrigerator is to be installed in a corner, a 4" min. clearance between the case trim and adjacent wall on both sides of the refrigerator will assure a 90° door opening and access to all drawers. A 10" clearance is required on both sides for removal of pans.



* Flush Installation: 42"

Semi-Flush Installation: 41-1/2"

Specification Created 12/99

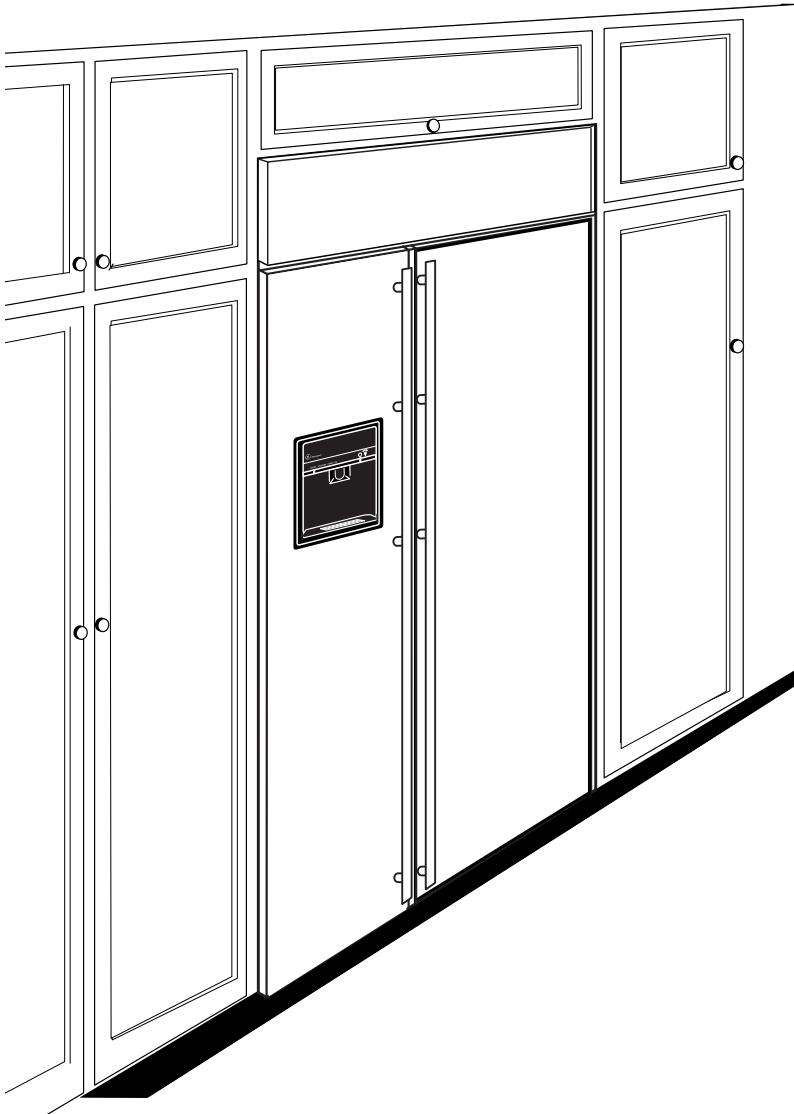
For answers to your Monogram®,
GE Profile Performance Series™,
GE Profile™ or GE appliance questions, call
GE Answer Center® service, 800.626.2000.





Monogram™

ZISS42DCSS - GE Monogram 42" Built-In Refrigerator with Dispenser and Water Filter



Features and Benefits

- 25.7 cu. ft. Capacity (Fresh Food 16.4 cu. ft. / Freezer 9.3 cu. ft.)
- Wrapped Stainless Steel Doors and Grill (Trimless)
- Tubular Stainless Steel Handles
- Exterior Dispenser with Chilled Water, Cubed and Crushed Ice
- GE SmartWater™ Filtration System
- 2 Adjustable Humidity Vegetable/ Fruit Pans
- Sealed Snack Pan
- 4 Adjustable Spill Proof Glass Fresh Food Cabinet Shelves
- Slide-Back Shelf
- 5 Adjustable Fresh Food Door Bins
- 2 Dairy Compartments
- Wine Holder
- Glass-Covered Butter Dish
- 4 Adjustable Wire Freezer Shelves
- 2 Utility Baskets
- 3 Adjustable Freezer Door Bins
- Model ZISS42DCSS - Stainless steel