



# Room Air Conditioners

*Safety Instructions* . . . . .2, 3

*Operating Instructions*

Control Knob Models . . . . .6, 7

Touch Pad Models . . . . .4, 5

*Care and Cleaning*

Air Filter . . . . .8

Grille and Case . . . . .8

Outdoor Coils . . . . .8

*Installation Instructions*

Preparing to Install the

Air Conditioner . . . . .9

Window Installation . . . . .10–14

*Troubleshooting Tips* . . . .15, 16

Normal Operating Sounds . . . .16

*Consumer Support*

Consumer Support . . . . .20

Product Registration . . . . .17, 18

Warranty . . . . .19

**Owner's Manual and  
Installation Instructions**

AGF18            AGL24

AGL18            AGN24

AGM18            AGQ24

AGN18            AGV24

AGQ18            AGW24

AGV18

**Write the model and serial numbers here:**

**Model #** \_\_\_\_\_

**Serial #** \_\_\_\_\_

Find these numbers on a label on the side of the air conditioner.

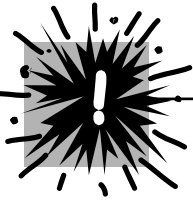


# IMPORTANT SAFETY INFORMATION. READ ALL INSTRUCTIONS BEFORE USING.

Safety Instructions

## **⚠ WARNING!**

For your safety, the information in this manual must be followed to minimize the risk of fire, electric shock or personal injury.

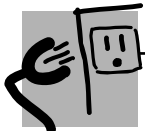


## SAFETY PRECAUTIONS

- Use this appliance only for its intended purpose as described in this Owner's Manual.
- This air conditioner must be properly installed in accordance with the Installation Instructions before it is used.
- Never unplug your air conditioner by pulling on the power cord. Always grip plug firmly and pull straight out from the receptacle.
- Repair or replace immediately all electric service cords that have become frayed or otherwise damaged. Do not use a cord that shows cracks or abrasion damage along its length or at either the plug or connector end.
- Turn the mode control to **OFF** and unplug your air conditioner before making any repairs or cleaning.
- **NOTE:** We strongly recommend that any servicing be performed by a qualified individual.
- For your safety...do not store or use combustible materials, gasoline or other flammable vapors or liquids in the vicinity of this or any other appliance.
- All air conditioners contain refrigerants, which under federal law must be removed prior to product disposal. If you are getting rid of an old product with refrigerants, check with the company handling disposal about what to do.

Operating Instructions

Installation Instructions



## HOW TO CONNECT ELECTRICITY

*Do not, under any circumstances, cut or remove the third (ground) prong from the power cord. For personal safety, this appliance must be properly grounded.*

The power cord of this appliance is equipped with a 3-prong (grounding) plug which mates with a standard 3-prong (grounding) wall outlet to minimize the possibility of electric shock hazard from this appliance.

Have the wall outlet and circuit checked by a qualified electrician to make sure the outlet is properly grounded.

Where a 2-prong wall outlet is encountered, it is your personal responsibility and obligation to have it replaced with a properly grounded 3-prong wall outlet.

The air conditioner should always be plugged into its own individual electrical outlet which has a voltage rating that matches the rating plate.

This provides the best performance and also prevents overloading house wiring circuits which could cause a fire hazard from overheated wires.

See the Installation Instructions, *Electrical Requirements* section for specific electrical connection requirements.

Troubleshooting Tips

Consumer Support

**⚠ WARNING!****USE OF EXTENSION CORDS**—115-Volt models only

*Because of potential safety hazards under certain conditions, we strongly recommend against the use of an extension cord.*

However, if you must use an extension cord, it is absolutely necessary that it be a UL-listed, 14 gauge, 3-wire grounding type appliance extension cord having a grounding type plug and outlet and that the electrical rating of the cord be 15 amperes (minimum) and 125 volts.

**⚠ CAUTION:**

**DO NOT use an extension cord with any of the 230/208 volt models.**

**USE OF ADAPTER PLUGS**—115-Volt models only

*Because of potential safety hazards under certain conditions, we strongly recommend against the use of an adapter plug.*

However, if you must use an adapter, where local codes permit, a **temporary connection** may be made to a properly grounded 2-prong wall outlet by use of a UL-listed adapter available at most local hardware stores.

The larger slot in the adapter must be aligned with the larger slot in the wall outlet to provide proper polarity in the connection of the power cord.

When disconnecting the power cord from the adapter, always hold the adapter in place with one hand while pulling the power cord plug with the other hand. If this is not done, the adapter ground terminal is very likely to break with repeated use.

If the adapter ground terminal breaks, **DO NOT USE** the air conditioner until a proper ground has been established.

*Attaching the adapter ground terminal to a wall outlet cover screw does not ground the appliance unless the cover screw is metal, and not insulated, and the wall outlet is grounded through the house wiring. You should have the circuit checked by a qualified electrician to make sure the outlet is properly grounded.*

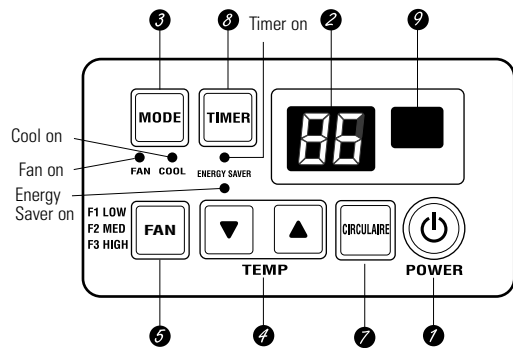


**READ AND FOLLOW THIS SAFETY INFORMATION CAREFULLY.**

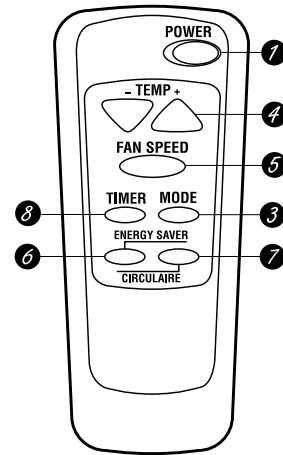
**SAVE THESE INSTRUCTIONS**

# About the controls on the air conditioner—models with touch pads.

Features and appearance will vary.



**Air Conditioner Controls**



**Remote Control**



## Controls

- 1 ON/OFF Pad**  
Turns air conditioner on and off.
- 2 Display**  
Shows the set temperature or time remaining on timer.
- 3 MODE**  
Use to set the air conditioner to **COOL** or **FAN** mode.
- 4 Increase ▲ /Decrease ▼ Pads**  
Use to set temperature when in **COOL** mode.
- 5 FAN Pad**  
Use to set the fan speed to **LOW (F1)**, **MED (F2)** or **HIGH (F3)**.
- 6 ENERGY SAVER**—Controls the fan.  
(on some models)  
**ON**—The fan and compressor cycle on and off. This results in wider variations of room temperature and humidity. Normally used when the room is unoccupied. **Note:** The fan will continue to run for a short time after the compressor cycles off.  
**OFF**—The fan runs all the time, while the compressor cycles on and off.  
This feature must be set at **OFF** in order to use the fan settings (on the mode control).
- 7 CIRCULAIRE (on some models)**  
For continuous side-to-side air circulation (cool settings only), set the Circulaire switch to **ON**.  
For fixed side-to-side air direction, turn **ON** until the desired air direction is obtained, then turn it **OFF**.
- 8 TIMER Pad**  
**ON**—When the air conditioner is off, it can be set to automatically come on in 1 to 12 hours at its previous setting. Each touch will set the timer in hours.  
**OFF**—When the air conditioner is on, it can be set to automatically turn off in 1 to 12 hours. Each touch will set the timer in hours.  
**To cancel the timer**, press the **TIMER** pad until the display time disappears.
- 9 Remote Control Signal Receiver**

### Remote Control

- To ensure proper operation, aim the remote control at the signal receiver on the air conditioner.
- The remote control signal has a range of up to 21 feet.
- Make sure nothing is between the air conditioner and the remote control that could block the signal.
- Make sure batteries are fresh and installed correctly as indicated on the remote control.

Lights next to the touch pads on the air conditioner control panel indicate the selected settings.

### **COOL Mode**

Use the **COOL** mode with **HIGH (F3)**, **MED (F2)** or **LOW (F1)** fan for cooling. Use the **INCREASE ▲ / DECREASE ▼** pads to set the desired temperature between 60°F and 86°F in 1°F increments.

An electronic thermostat is used to maintain the room temperature. The compressor will cycle on and off to keep the room at the set level of comfort. Set the thermostat at a lower number and the indoor air will become cooler. Set the thermostat at a higher number and the indoor air will become warmer.

**NOTE:** If the air conditioner is off and is then turned on while set to **COOL**, it will take approximately 3 minutes for the compressor to start and cooling to begin.

### **Cooling Descriptions**

**For Normal Cooling**—Select the **COOL** mode and **HIGH (F3)** or **MED (F2)** fan with a middle set temperature.

**For Maximum Cooling**—Select the **COOL** mode and **HIGH (F3)** fan with a lower set temperature.

**For Quieter & Nighttime Cooling**—Select the **COOL** mode and **LOW (F1)** fan with a middle set temperature.

**NOTE:** If you switch from a **COOL** setting to **OFF** or to a fan setting, wait at least 3 minutes before switching back to a **COOL** setting.

### **FAN Mode**

Use the **FAN** at **HIGH (F3)**, **MED (F2)** or **LOW (F1)** to provide air circulation and filtering without cooling. Since fan only settings do not provide cooling, a temperature setting will not be displayed.

### **Vent Control**

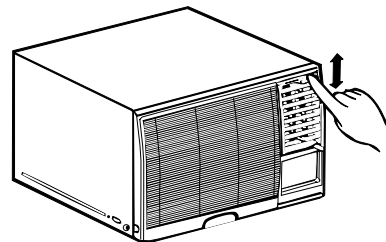
The vent control is located on the inside of the air louvers on the lower right side.

When set at **CLOSE**, only the air inside the room will be circulated and conditioned. When set at **OPEN**, some inside air is exhausted outside.

To open the vent, pull the lever toward you.  
To close it, push it in.

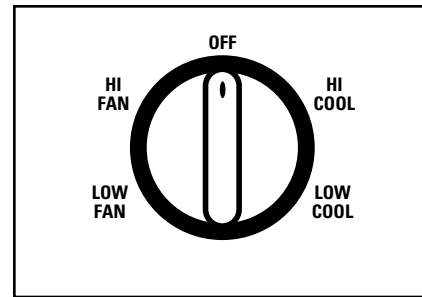
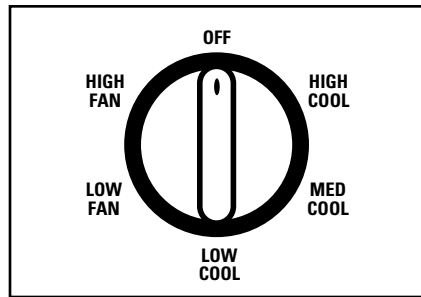
### **Air Direction—Up and Down**

Fingertip pressure on the bank of horizontal louvers adjusts the air direction up or down.



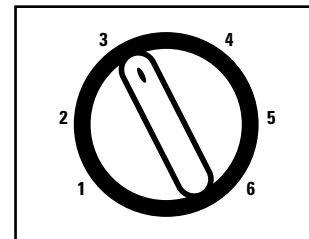
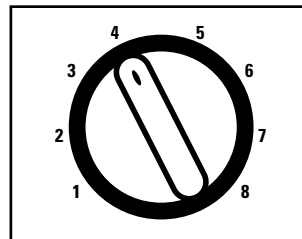
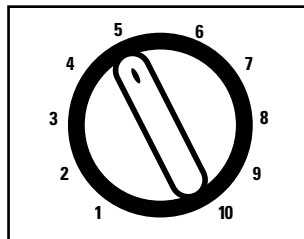
# About the controls on the air conditioner—models with control knobs.

Features and appearance will vary.



## 1 MODE CONTROLS

Your model will have one of the above type controls.



## 2 TEMP CONTROLS

Your model will have one of the above type controls.



### Controls

- 1 Mode Controls**  
**HIGH COOL**, **MED COOL** and **LOW COOL** provide cooling with different fan speeds.

**FAN** settings provide air circulation and filtering without cooling.

**NOTE:** If you move the mode control from a cool setting to **OFF** or to a fan setting, wait at least 3 minutes before switching back to a cool setting.

#### Cooling Descriptions

**For Normal Cooling**—Select **HIGH COOL** or **MED COOL** with the temp control at midpoint.

**For Maximum Cooling**—Select **HIGH COOL** with the temp control at the highest number available on your knob.

**For Quieter & Nighttime Cooling**—Select **LOW COOL** with the temp control at midpoint.

- 2 Temp Controls**  
 The temp control is used to maintain the room temperature. The compressor will cycle on and off to keep the room at the same level of comfort. When you turn the knob to a higher number the indoor air will become cooler. Turn the knob to a lower number and the indoor air will become warmer.

## Additional controls and important information.

### **Energy Saver** (on some models)

The energy saver switch controls the fan.

**ON**—The fan and compressor cycle on and off together. This results in wider variations of room temperature and humidity. Normally used when the room is unoccupied.

**OFF**—The fan runs all the time, while the compressor cycles on and off.

This switch must be set at **OFF** in order to use the fan settings (on the mode control).

### **Vent Control**

The vent control is located above the control knobs.

When set at **CLOSE**, only the air inside the room will be circulated and conditioned. When set at **OPEN**, some inside air is exhausted outside.

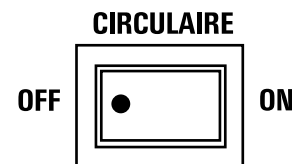
To open the vent, pull the lever toward you. To close it, push it in.

### **Air Direction—Side-to-Side**

#### **CIRCULAIRE** (on some models)

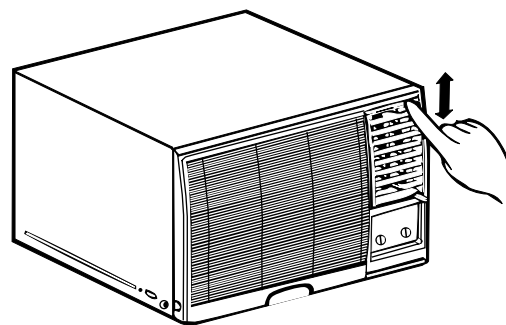
For fixed side-to-side air direction, set the Circulaire switch to **ON** until the desired air direction is obtained, then move it to **OFF**.

For continuous side-to-side air circulation (cool settings only), set the Circulaire switch to **ON**.



### **Air Direction—Up and Down**

Fingertip pressure on the bank of horizontal louvers adjusts the air direction up or down.



## Care and cleaning of the air conditioner.

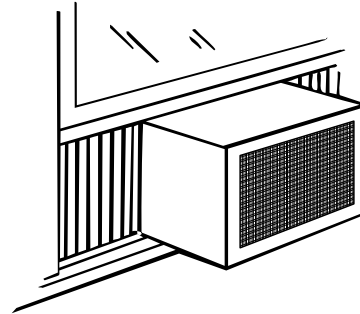
### Grille and Case

Turn the air conditioner off and remove the plug from the wall outlet before cleaning.

To clean, use water and a mild detergent. Do not use bleach or abrasives.

### Outdoor Coils

The coils on the outdoor side of the air conditioner should be checked regularly. If they are clogged with dirt or soot they may be professionally steam cleaned, a service available through your GE service outlet.

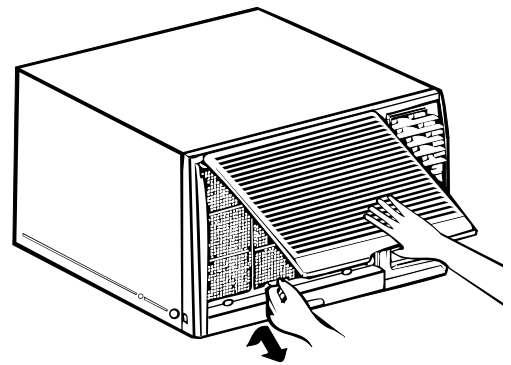


### Air Filter

The air filter behind the front grille should be checked and cleaned at least every 30 days or more often if necessary.

#### To remove:

- 1 Open the inlet grille upward by pulling out the bottom of the inlet grille.
- 2 Using the tab, pull up slightly on the filter to release it and pull it down.



Clean the filter with warm, soapy water. Rinse and let the filter dry before replacing it.

**CAUTION:** DO NOT operate the air conditioner without a filter because dirt and lint will clog it and reduce performance.



# Preparing to install the air conditioner.

Read these instructions completely and carefully.



## Before You Begin

**NOTE TO INSTALLER:** Leave these instructions with the air conditioner after installation is completed.

**NOTE TO CONSUMER:** Keep this Owner's Manual and Installation Instructions for future use.

### IMPORTANT NOTES:

For personal safety, this air conditioner must be properly grounded.

It is important to have the wall outlet and circuit checked by a qualified electrician if there is any doubt as to whether a proper ground exists.

Follow National Electric Codes (NEC) and/or local codes and ordinances.



### CAUTION:

Do not, under any circumstances, cut or remove the third (ground) prong from the power cord.

Do not change the plug on the power cord of this air conditioner.

Aluminum house wiring may present special problems—consult a qualified electrician.



## Electrical Requirements

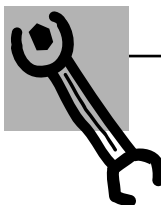


Some models require 115/120-volt a.c., 60 Hz grounded outlet protected with a 15-amp time delay fuse or circuit breaker.

The 3-prong grounding plug minimizes the possibility of electric shock hazard. If the wall outlet you plan to use is only a 2-prong outlet, it is your responsibility to have it replaced with a properly grounded 3-prong wall outlet.



Some models require 230/208-volt a.c., protected with a time delay fuse or circuit breaker. These models should be installed on their own single branch circuit for best performance and to prevent overloading house or apartment wiring circuits, which could cause a possible fire hazard from overheating wires.



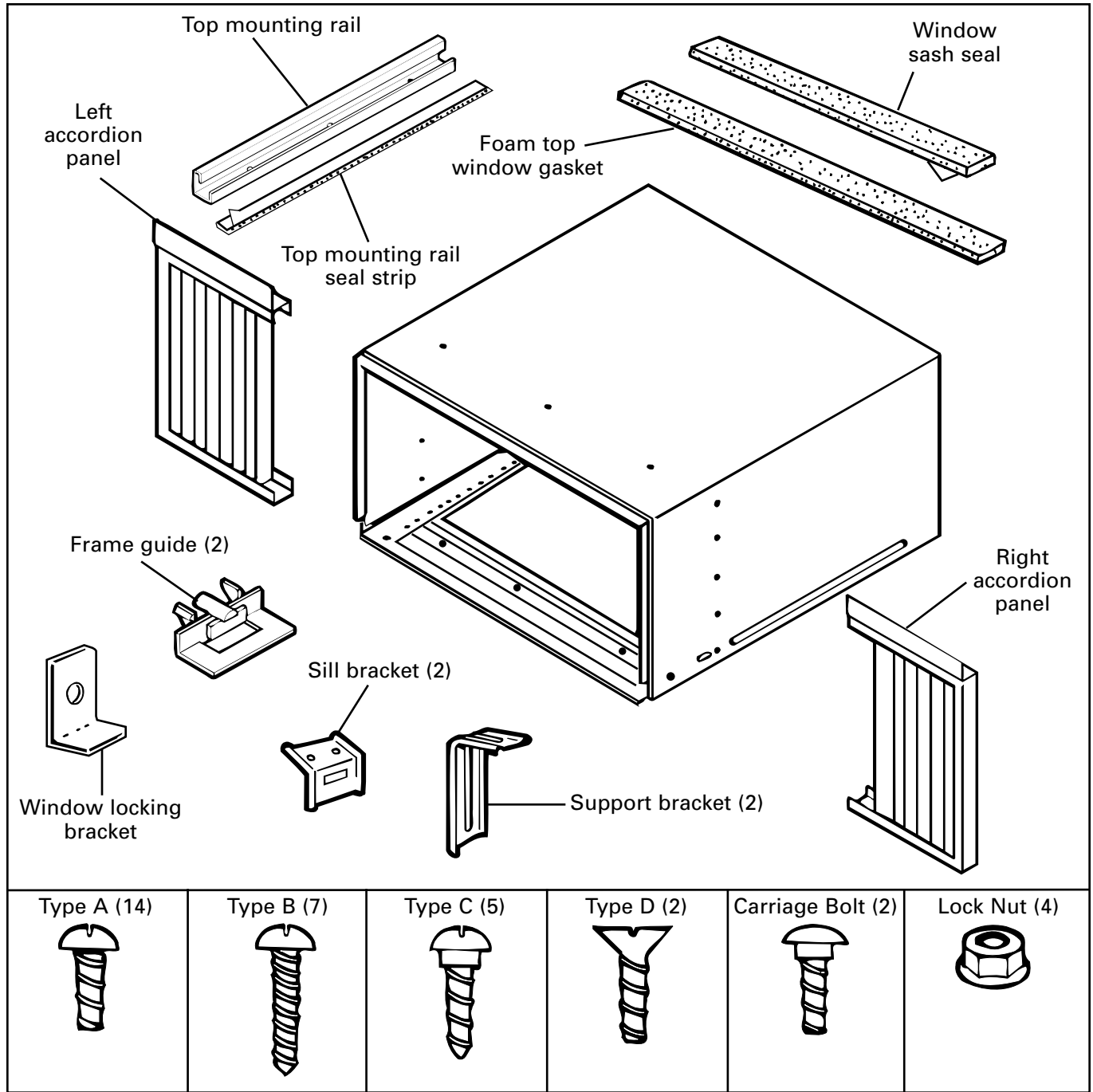
## Tools You Will Need

- Phillips-head screwdriver
- Flat-blade screwdriver
- Ruler or tape measure
- Scissors or knife

- Pencil
- Level
- Hammer

# Window Installation Instructions.

## Parts Included

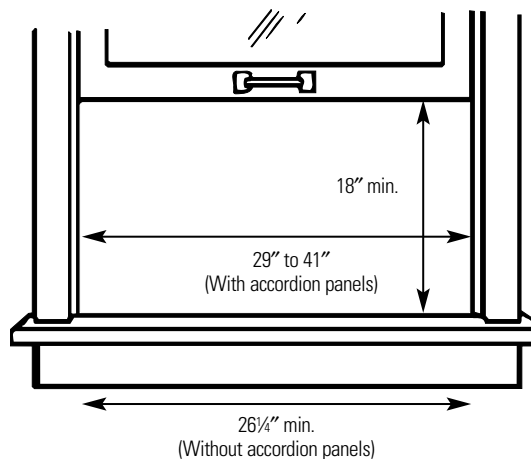


Read completely, then follow step-by-step.

# 1

## Window Requirements

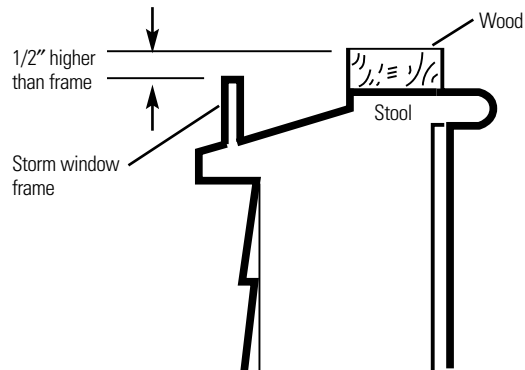
- These instructions are for a standard double-hung window. You will need to modify them for other types of windows.
- The air conditioner can be installed without the accordion panels if needed to fit in a narrow window. See the window opening dimensions to the right.
- All supporting parts must be secured to firm wood, masonry or metal.
- The electrical outlet must be within reach of the power cord.



# 2

## Storm Window Requirements

A storm window frame will not allow the air conditioner to tilt towards the outside and will keep it from draining properly. To adjust for this, attach a piece of wood to the stool.



### WOOD PIECES—

**WIDTH:** 2"

**LENGTH:** Long enough to fit inside the window frame.

**THICKNESS:** To determine the thickness, place a piece of wood on the stool to make it 1/2" higher than the top of the storm window frame.

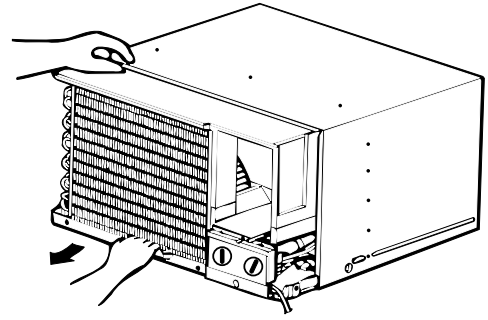
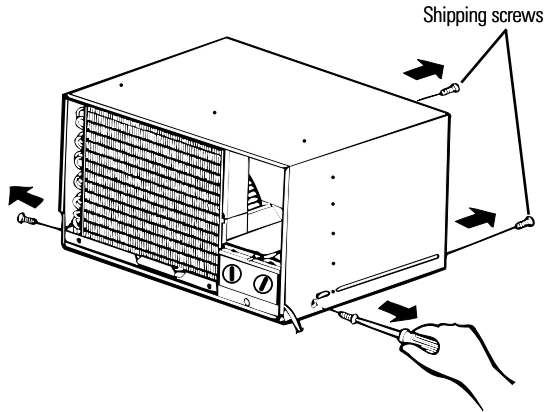
Attach securely with nails or screws provided by the installer.

# Window Installation Instructions.

3

## Remove the Air Conditioner From the Case

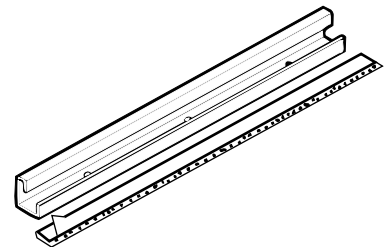
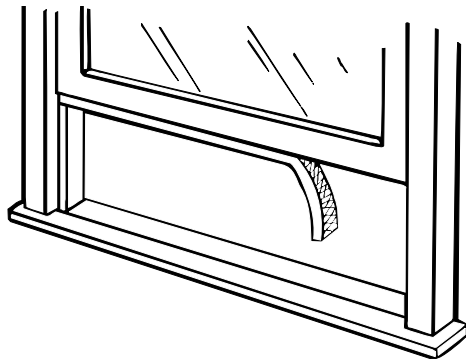
- A** Remove the 2 shipping screws from the back of the case.
- B** Remove the 2 screws on each side of the case. Keep these for later use.
- C** Slide the air conditioner from the case by gripping the base pan handle and pulling forward while bracing the case.



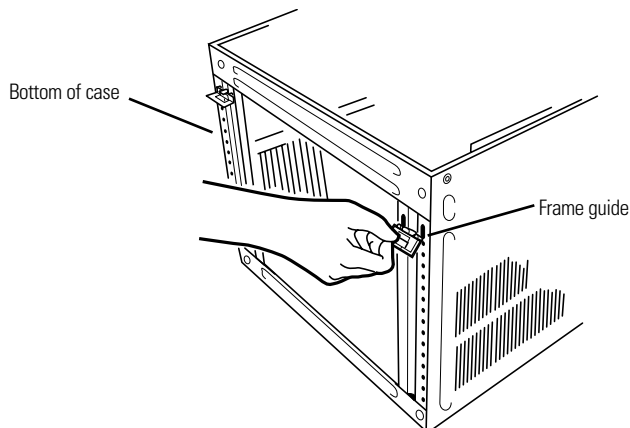
4

## Prepare the Window and the Case

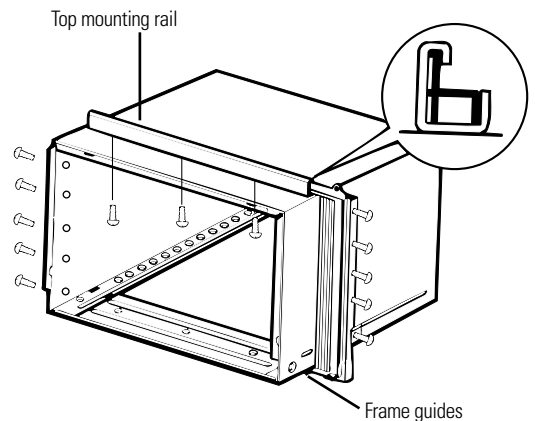
- A** Cut the window sash seal to the proper length. Peel off the backing and attach the seal to the underside of the window sash.
- B** Carefully insert the plastic frame guides into the bottom of the case on each side.
- C** Remove the backing from the top mounting rail seal strip and attach the seal to the bottom of the top mounting rail.
- D** Install the top mounting rail with 3 type A screws on the inside of the case. Insert the frames for the accordion panels into the top mounting rail and the frame guides. Attach the accordion panels to the side of the case using 5 type A screws.



- B** Carefully insert the plastic frame guides into the bottom of the case on each side.



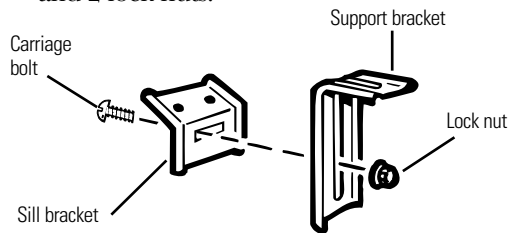
- D** Install the top mounting rail with 3 type A screws on the inside of the case. Insert the frames for the accordion panels into the top mounting rail and the frame guides. Attach the accordion panels to the side of the case using 5 type A screws.



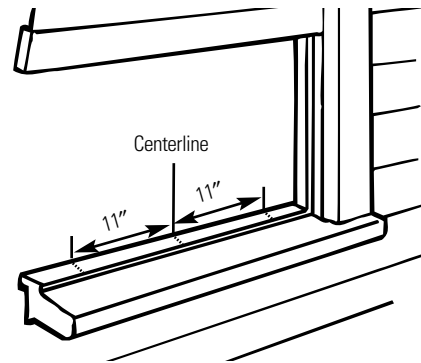
## 5

**Prepare the Window**

- A** Loosely attach the sill brackets to the support brackets using the 2 carriage bolts and 2 lock nuts.



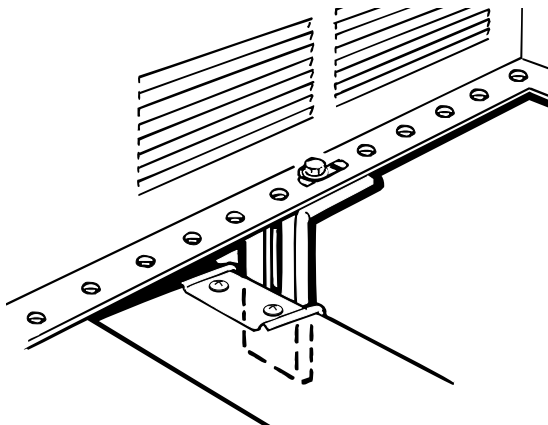
- B** Open the window and mark the centerline of the window stool. Measure and mark 11" to the left and right of the centerline.



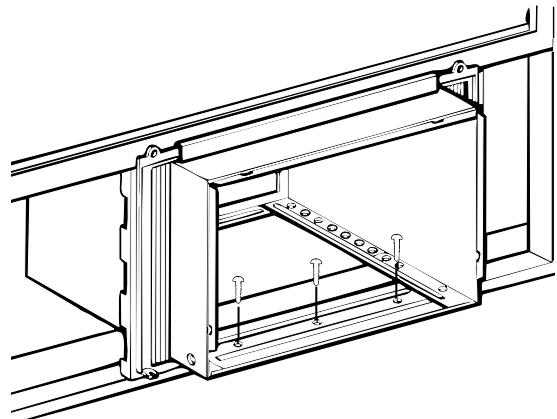
## 6

**Install the Case in the Window**

- A** Align the inside edge of the sill brackets with the 11" marks from the centerline and attach them to the window sill using 2 type B screws on each side.
- B** Carefully place the case on the window stool aligning the center front on the bottom with the centerline marked on the window stool. Close the window making sure the window sash is behind the top mounting rail.
- C** Using the larger diameter hole in the case, attach the brackets to the case using two type D screws and 2 lock nuts on each side.



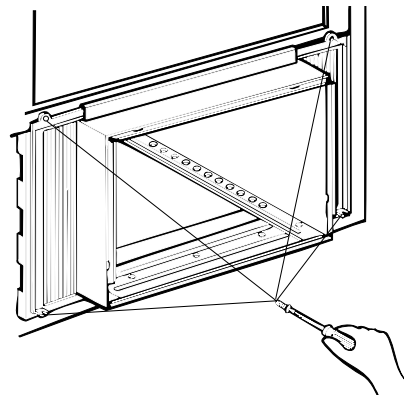
- E** Secure the case to the window stool by using 3 type B screws.



- D** Adjust the carriage bolts and the lock nuts in each support so that the case is installed with a slight tilt to the outside. Use a level; about 1/3 bubble will be the correct case slant to the outside. Tighten the bolts.

**CAUTION:** DO NOT drill a hole in the base pan. The unit is designed to operate with approximately 1/2" of water in the base pan.

- F** Pull the accordion panels to each window sash track. Attach them on each side to the window sash and the window stool using 4 type C screws.

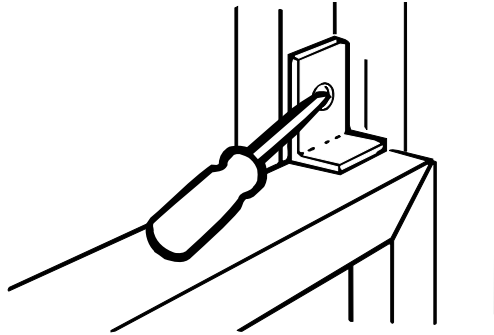


## Window Installation Instructions.

7

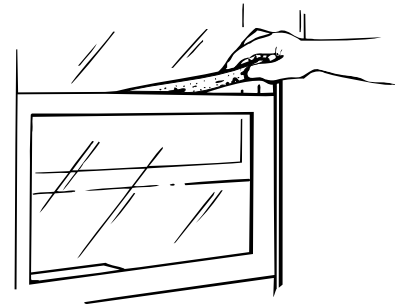
### Install the Window Locking Bracket and the Foam Top Window Gasket

- A** Attach the window locking bracket with a type C screw.



- B** Cut the foam top window gasket to the window width.

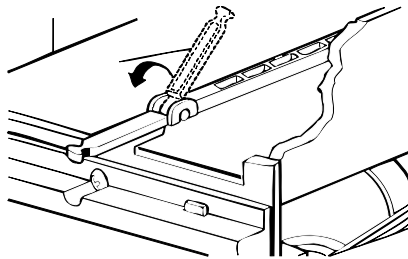
- C** Stuff the foam between the glass and the window to prevent air and insects from getting into the room.



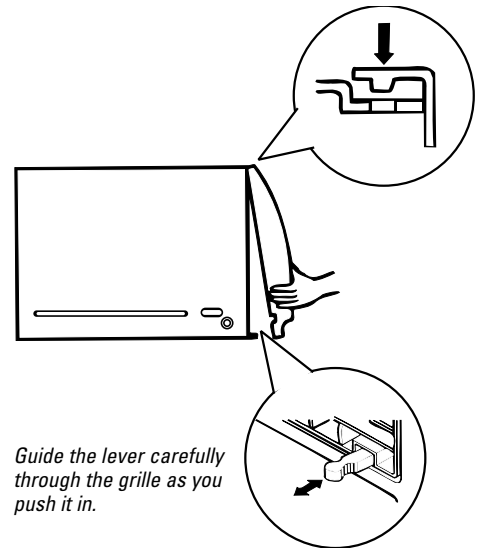
8

### Install the Air Conditioner in the Case

- A** Slide the air conditioner into the case. Reinstall the 2 screws removed earlier on each side of the case.
- B** Before installing the front grille, pull out the vent control lever located above the unit control knobs, as shown.

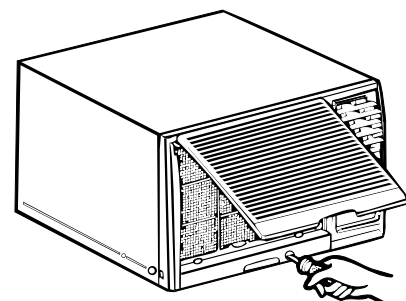


- C** Attach the front grille to the case by inserting the tabs on the grille into the slots on the front of the case. Push the grille in until it snaps into place.



*Guide the lever carefully through the grille as you push it in.*

- D** Lift the inlet grille and secure the front frame with a type A screw. Lower the inlet grille into place.





## Troubleshooting Tips

Save time and money! Review the chart below first and you may not need to call for service.

<b>Problem</b>	<b>Possible Causes</b>	<b>What To Do</b>
<b>Air conditioner does not start</b>	The air conditioner is unplugged.	<ul style="list-style-type: none"> <li>• Make sure the air conditioner plug is pushed completely into the outlet.</li> </ul>
	The fuse is blown/circuit breaker is tripped.	<ul style="list-style-type: none"> <li>• Check the house fuse/circuit breaker box and replace the fuse or reset the breaker.</li> </ul>
	Power failure.	<ul style="list-style-type: none"> <li>• If power failure occurs, turn the air conditioner <b>OFF</b>. When power is restored, wait 3 minutes to restart the air conditioner to prevent tripping of the compressor overload.</li> </ul>
<b>Air conditioner does not cool as it should</b>	Airflow is restricted.	<ul style="list-style-type: none"> <li>• Make sure there are no curtains, blinds or furniture blocking the front of the air conditioner.</li> </ul>
	The temp control may not be set correctly.	<ul style="list-style-type: none"> <li>• On models with touch pads: In <b>COOL</b> mode, press the <b>DECREASE ▼</b> pad.</li> <li>• On models with control knobs, turn the temperature knob to a higher number.</li> </ul>
	The air filter is dirty.	<ul style="list-style-type: none"> <li>• Clean the filter at least every 30 days. See the <i>Operating Instructions</i> section.</li> </ul>
	The room may have been hot.	<ul style="list-style-type: none"> <li>• When the air conditioner is first turned on you need to allow time for the room to cool down.</li> </ul>
	Cold air is escaping.	<ul style="list-style-type: none"> <li>• Check for open furnace floor registers and cold air returns.</li> <li>• Set the air conditioner's vent to the closed position.</li> </ul>
	Cooling coils have iced up.	<ul style="list-style-type: none"> <li>• See "<b>Air conditioner freezing up</b>" below.</li> </ul>
<b>Air conditioner freezing up</b>	Ice blocks the air flow and stops the air conditioner from cooling the room.	<ul style="list-style-type: none"> <li>• On models with control knobs, set the mode control at <b>HIGH FAN</b> or <b>HIGH COOL</b> with the temp at <b>1</b> or <b>2</b>.</li> <li>• On models with touch pads, set the controls at <b>HIGH (F3) FAN</b> or <b>HIGH (F3) COOL</b> and set the thermostat to a higher temperature.</li> </ul>
<b>The remote control is not working</b>	The batteries are inserted incorrectly.	<ul style="list-style-type: none"> <li>• Check the position of the batteries. They should be inserted in the opposite (+) and (-) direction.</li> </ul>
	The batteries may be dead.	<ul style="list-style-type: none"> <li>• Replace the batteries.</li> </ul>
<b>Water drips outside</b>	Excessively hot and humid weather.	<ul style="list-style-type: none"> <li>• This is normal.</li> </ul>
<b>Water drips indoors</b>	The air conditioner is not tilted to the outside.	<ul style="list-style-type: none"> <li>• For proper water disposal, make sure the air conditioner slants slightly from the case front to the rear.</li> </ul>
<b>Water collects in base pan</b>	Moisture is removed from indoor air and drains into rear of a cabinet where a fan blows it against the outdoor condenser coil.	<ul style="list-style-type: none"> <li>• This is normal for a short period in areas with little humidity; normal for a longer period in very humid areas.</li> </ul>

## ***Before you call for service...***

---

### ***Normal Operating Sounds***

- You may hear a pinging noise caused by water being picked up and thrown against the condenser on rainy days or when the humidity is high. This design feature helps remove moisture and improve efficiency.
- You may hear the thermostat click when the compressor cycles on and off.
- Water will collect in the base pan during high humidity or on rainy days. The water may overflow and drip from the outdoor side of the unit.
- The fan may run even when the compressor does not.



## GE Service Protection Plus™

GE, a name recognized worldwide for quality and dependability, offers you Service Protection Plus™—comprehensive protection on all your appliances—**No Matter What Brand!**

**Benefits Include:**

- Backed by GE
- All brands covered
- Unlimited service calls
- All parts and labor costs included
- No out-of-pocket expenses
- No hidden deductibles
- One 800 number to call

***We'll Cover Any Appliance.  
Anywhere. Anytime.\****

You will be completely satisfied with our service protection or you may request your money back on the remaining value of your contract. No questions asked. It's that simple.

Protect your refrigerator, dishwasher, washer and dryer, range, TV, VCR and much more—**any brand!** Plus there's no extra charge for emergency service and low monthly financing is available. Even icemaker coverage and food spoilage protection is offered. You can rest easy, knowing that all your valuable household products are protected against expensive repairs.

Place your confidence in GE and call us in the U.S. toll-free at **800.626.2224** for more information.

\*All brands covered, up to 20 years old, in the continental U.S.



Please place in envelope and mail to:

***General Electric Company***  
**Warranty Registration Department**  
**P.O. Box 32150**  
**Louisville, KY 40232-2150**

# Consumer Product Ownership Registration

Dear Customer:

Thank you for purchasing our product and thank you for placing your confidence in us. We are proud to have you as a customer!

Follow these three steps to protect your new appliance investment:

# 1

**Complete and mail your Consumer Product Ownership Registration today.** Have the peace of mind of knowing we can contact you in the unlikely event of a safety modification.

# 2

After mailing the registration below, store this document in a safe place. It contains information you will need should you require service. Our service number is 800.GE.CARES (800.432.2737).


# 3

Read your Owner's Manual carefully. It will help you operate your new appliance properly.

Model Number

Serial Number

**Important: If you did not get a registration card with your product, detach and return the form below to ensure that your product is registered, or register online at [www.GEAppliances.com](http://www.GEAppliances.com).**

 Cut here

## Consumer Product Ownership Registration



Model Number

Serial Number

Mr.  Ms.  Mrs.  Miss

First Name

Last Name

Street Address

Apt. #

E-mail Address\*

City

State

Zip Code

Date Placed In Use  
Month

Day

Year

Phone Number --

\* Please provide your e-mail address to receive, via e-mail, discounts, special offers and other important communications from GE Appliances (GEA).

Check here if you do not want to receive communications from GEA's carefully selected partners.



**GE Appliances**

GE Consumer Products  
General Electric Company  
Louisville, Kentucky  
[www.GEAppliances.com](http://www.GEAppliances.com)

# Air Conditioner Warranty.



All warranty service provided by our Factory Service Centers, or an authorized Customer Care® technician. To schedule service, on-line, 24 hours a day, visit us at [GEAppliances.com](http://GEAppliances.com), or call 800.GE.CARES (800.432.2737).

Staple your receipt here. Proof of the original purchase date is needed to obtain service under the warranty.

For The Period Of:	We Will Replace:
<b>One Year</b> From the date of the original purchase	<b>Any part</b> of the air conditioner which fails due to a defect in materials or workmanship. During this <b>full one-year warranty</b> , we will also provide, <b>free of charge</b> , all labor and in-home service to replace the defective part.
<b>Five Years</b> From the date of the original purchase	<b>Any part of the sealed refrigerating system</b> (the compressor, condenser, evaporator and all connecting tubing) which fails due to a defect in materials or workmanship. During this <b>four-year additional warranty</b> , we will also provide, <b>free of charge</b> , all labor and in-home service to replace the defective part.

## What Is Not Covered:

- Service trips to your home to teach you how to use the product.
- Improper installation. If you have an installation problem, or if the air conditioner is of improper cooling capacity for the intended use, contact your dealer or installer. You are responsible for providing adequate electrical connecting facilities.
- Failure of the product resulting from modifications to the product or due to unreasonable use including failure to provide reasonable and necessary maintenance.
- In commercial locations labor necessary to move the unit to a location where it is accessible for service by an individual technician.
- Replacement of house fuses or resetting of circuit breakers.
- Failure due to corrosion on models not corrosion-protected.
- Damage to the product caused by improper power supply voltage, accident, fire, floods or acts of God.
- Incidental or consequential damage caused by possible defects with this air conditioner.

*This warranty is extended to the original purchaser and any succeeding owner for products purchased for home use within the USA. In Alaska, the warranty excludes the cost of shipping or service calls to your home.*

*Some states do not allow the exclusion or limitation of incidental or consequential damages. This warranty gives you specific legal rights, and you may also have other rights which vary from state to state. To know what your legal rights are, consult your local or state consumer affairs office or your state's Attorney General.*

**Warrantor: General Electric Company, Louisville, KY 40225**

## Consumer Support.

---

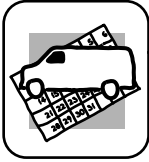


### *GE Appliances Website*

**GEAppliances.com**

---

Have a question or need assistance with your appliance? Try the GE Appliances Website 24 hours a day, any day of the year! For greater convenience and faster service, you can now download Owner's Manuals, order parts, catalogs, or even schedule service on-line. You can also "Ask Our Team of Experts"<sup>™</sup> your questions, and so much more...



### *Schedule Service*

**GEAppliances.com**

---

Expert GE repair service is only one step away from your door. Get on-line and schedule your service at your convenience 24 hours any day of the year! Or call 800.GE.CARES (800.432.2737) during normal business hours.



### *Real Life Design Studio*

**GEAppliances.com**

---

GE supports the Universal Design concept—products, services and environments that can be used by people of all ages, sizes and capabilities. We recognize the need to design for a wide range of physical and mental abilities and impairments. For details of GE's Universal Design applications, including kitchen design ideas for people with disabilities, check out our Website today. For the hearing impaired, please call 800.TDD.GEAC (800.833.4322).

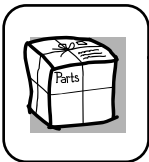


### *Extended Warranties*

**GEAppliances.com**

---

Purchase a GE extended warranty and learn about special discounts that are available while your warranty is still in effect. You can purchase it on-line anytime, or call 800.626.2224 during normal business hours. GE Consumer Home Services will still be there after your warranty expires.



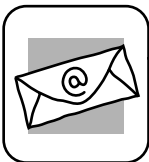
### *Parts and Accessories*

**GEAppliances.com**

---

Individuals qualified to service their own appliances can have parts or accessories sent directly to their homes (VISA, MasterCard and Discover cards are accepted). Order on-line today, 24 hours every day or by phone at 800.626.2002 during normal business hours.

***Instructions contained in this manual cover procedures to be performed by any user. Other servicing generally should be referred to qualified service personnel. Caution must be exercised, since improper servicing may cause unsafe operation.***



### *Contact Us*

**GEAppliances.com**

---

If you are not satisfied with the service you receive from GE, contact us on our Website with all the details including your phone number, or write to: General Manager, Customer Relations  
GE Appliances, Appliance Park  
Louisville, KY 40225



### *Register Your Appliance*

**GEAppliances.com**

---

**Register your new appliance on-line—at your convenience!** Timely product registration will allow for enhanced communication and prompt service under the terms of your warranty, should the need arise. You may also mail in the pre-printed registration card included in the packing material.



# Acondicionadores de Aire

*Instrucciones de seguridad* . . . .2, 3

*Instrucciones de operación*

Modelos de botón de control . . . .6, 7

Modelos de tecla de toque . . . .4, 5

*Cuidado y limpieza*

Bobinas para exteriores . . . . .8

Filtro de aire . . . . .8

Parrilla y caja . . . . .8

*Instrucciones de instalación*

Cómo prepararse para instalar el acondicionador de aire . . . . .9

Instalación en ventanas . . . . .10–14

*Ideas para la identificación y reparación de problemas* . .15, 16

Sonidos normales de operación . . .16

*Apoyo al consumidor*

Apoyo al consumidor . . . . .20

Garantía . . . . .19

**Manual del Propietario e Instrucciones de Instalación**

AGF18            AGL24

AGL18            AGN24

AGM18            AGQ24

AGN18            AGV24

AGQ18            AGW24

AGV18

**Escriba el modelo y número de serie aquí:**

**Número de modelo** \_\_\_\_\_

**Número de serie** \_\_\_\_\_

Usted puede encontrar estos números al costado del acondicionador de aire.



# INFORMACIÓN DE SEGURIDAD IMPORTANTE. LEA TODAS LAS INSTRUCCIONES ANTES DE USAR.

## ⚠ ¡ADVERTENCIA!

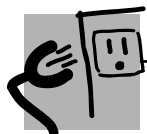
Por su seguridad, la información en este manual debe ser seguida para minimizar el riesgo de incendios, descargas eléctricas o lesiones personales.



## PRECAUCIONES DE SEGURIDAD

- Use este electrodoméstico solamente para el propósito determinado según se describe en el Manual del propietario.
- Este acondicionador de aire debe ser instalado apropiadamente de acuerdo con las Instrucciones de instalación antes de ser usado.
- Nunca desenchufe su acondicionador de aire tirando del cable eléctrico. Siempre agarre firmemente el enchufe y tire de él directamente hacia afuera.
- Repare o reemplace inmediatamente todos los cables eléctricos que se hayan pelado o que se hayan dañado de alguna otra manera. No use un cable eléctrico que muestre evidencias de deterioro, o daños de abrasión en su superficie en alguno de sus extremos.
- Apague (**OFF**) el control de modo y desenchufe su acondicionador de aire antes de hacer cualquier reparación o limpiar.
- **NOTA:** Recomendamos enérgicamente que cualquier servicio llevado a cabo en este equipo lo realice un individuo calificado.
- Por su seguridad... no almacene ni use materiales combustibles, gasolina u otros vapores o líquidos inflamables en la proximidad de éste o algún otro electrodoméstico.
- Todos los acondicionadores de aire contiene refrigerantes, los que por Ley Federan deben ser removidos antes de desecharlos. Si usted planea deshacerse de algún producto que contenga refrigerantes, póngase en contacto con la compañía que se encarga de recoger su basura para que le indiquen qué hacer.

## CÓMO CONECTAR LA ELECTRICIDAD



*Bajo ninguna circunstancia, corte o retire la tercera púa (tierra) del cable eléctrico. En pos de la seguridad personal, este electrodoméstico debe ser siempre conectado a tierra.*

El cable eléctrico de este electrodoméstico está equipado con un enchufe de tres púas (tierra) que combina con un tomacorriente estándar de tres tomas de pared para minimizar la posibilidad de una descarga eléctrica.

Pida a un técnico que inspeccione el tomacorriente y el circuito para cerciorarse de que el tomacorriente está conectado a tierra de la manera apropiada.

Donde exista un tomacorriente de dos tomas, es su responsabilidad y obligación personal hacer que dicho tomacorriente sea reemplazado por uno de tres tomas con conexión a tierra.

El acondicionador de aire debería siempre estar conectado a un tomacorriente individual con su circuito de voltaje correspondiente.

Esto proporciona el mayor rendimiento y además evita que los circuitos del resto de la casa sean sobrecargados, lo cual podría causar incendios por el sobrecalentamiento del cableado.

Ver las Instrucciones de instalación, en la sección **Requisitos Eléctricos** para los requisitos específicos de conexión.

## ⚠ ¡ADVERTENCIA!



### USO DE CABLES DE EXTENSIÓN—Modelos de 115 voltios solamente

Debido al potencial de riesgos de seguridad bajo ciertas condiciones, **enérgicamente** recomendamos contra el uso de cables de extensión.

Sin embargo, si usted se ve en la necesidad de usar un cable eléctrico de extensión, es absolutamente necesario que el mismo esté listado bajo UL, calibre 14, de tipo 3 tomas con conexión a tierra para electrodomésticos y el índice debe ser de 15 amperios (mínimo) y 125 voltios.

## ⚠ PRECAUCIÓN:

**NO USE** un cable de extensión con ninguno de los modelos de 230/208 voltios.



### USO DE ENCHUFES ADAPTADORES—Modelos de 115 voltios solamente

Debido al potencial de riesgos de seguridad bajo ciertas condiciones, **enérgicamente** recomendamos contra el uso de enchufes adaptadores.

Sin embargo, si usted se ve en la necesidad de usar un adaptador, donde los códigos legales locales lo permitan, una **conexión temporal** podría ser hecha a un interruptor de 2 tomas siempre que se use un tomacorriente listado UL disponible en la mayoría de las ferreterías.

La ranura mayor en el adaptador debe estar alineada con la púa mayor en la pared para proporcionar una polaridad apropiada en la conexión del cable eléctrico.

Cuando se disponga a desconectar el cable eléctrico del adaptador, siempre sostenga el adaptador en su lugar con una mano mientras tira del cable eléctrico con la otra mano. Si no hace esto, la terminal de tierra del adaptador podría romperse después de que este proceso sea repetido varias veces.

Si se rompe la terminal de conexión a tierra del adaptador, **NO USE** el acondicionador de aire hasta que la conexión a tierra haya sido restablecida.

*Unir el terminal de conexión a tierra del adaptador a un tornillo de la cubierta en la pared no conecta a tierra el electrodoméstico apropiadamente a no ser que la cubierta del tornillo sea metálica y no esté aislada, y el tomacorriente de la casa esté apropiadamente conectado a tierra a través del cableado de la casa. Haga que un técnico calificado inspeccione el circuito de la casa para cerciorarse que está conectado a tierra apropiadamente.*

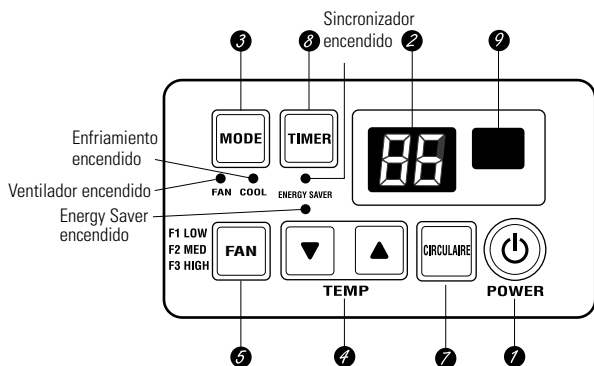


LEA Y SIGA ESTAS INSTRUCCIONES DE SEGURIDAD CUIDADOSAMENTE.

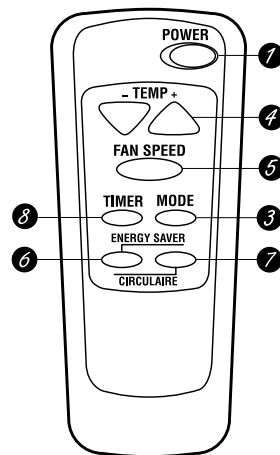
**GUARDE ESTAS INSTRUCCIONES**

# Acerca de los controles en el acondicionador de aire— modelos con teclas de toque.

Las funciones y el aspecto pueden variar.



Controles del acondicionador de aire



Control remoto



## Controls

- 1 ON/OFF (ENCENDIDO/APAGADO)**  
Apaga y prende el acondicionador de aire.
- 2 Pantalla**  
Muestra la temperatura ajustada o el tiempo restante en el sincronizador.
- 3 MODO**  
Usado para ajustar el acondicionador de aire al modo **COOL (FRÍO)** o **FAN (VENTILADOR)**.
- 4 Teclas de Increase (aumentar) ▲/Decrease (reducir) ▼**  
Usado para ajustar la temperatura cuando se encuentre en el modo **COOL (FRÍO)**.
- 5 FAN (VENTILADOR)**  
Usado para ajustar la velocidad del ventilador a **LOW (F1) (BAJO)**, **MED (F2)** o **HIGH (F3) (ALTO)**.
- 6 ENERGY SAVER (AHORRADOR DE ENERGÍA) (en algunos modelos)**—Controla el ventilador.  
**ON (ENCENDIDO)**—El ventilador y el compresor hacen el ciclo de encendido y apagado. Este resulta en variaciones más amplias en las temperaturas de la habitación y la humedad. Normalmente usado cuando la habitación no esta ocupada. **Nota:** El ventilador continuará funcionando por un lapso corto después de que el compresor entre en el ciclo de apagado.  
**OFF (APAGADO)**—El ventilador funciona todo el tiempo, mientras el compresor hace ciclo entre encendido y apagado.  
Esta función debe estar colocada en **OFF (APAGADO)** para usar las funciones del ventilador (en el modelo de control).

**Nota:** En algunos modelos, la función de **ENERGY SAVER (AHORRADOR DE ENERGÍA)** no puede ser ajustada en el acondicionador de aire. Deben ser ajustadas usando el control remoto.

- 7 CIRCULAIRE (CIRCULADOR DE AIRE) (en algunos modelos)**  
Para circulación continua de aire de lado a lado (en la función de enfriado solamente), ajuste el interruptor de Circulaire a **ON (ENCENDIDO)**.  
Para dirección fija de lado a lado, gire a **ON (ENCENDIDO)** hasta que la dirección deseada sea obtenida, entonces coloque en **OFF (APAGADO)**.
- 8 TIMER (SINCRONIZADOR)**  
**ON (ENCENDIDO)**—Cuando el acondicionador de aire está apagado (Off), puede ser ajustado para que se encienda automáticamente de 1 a 12 horas a partir de su ajusta previo. Cada toque ajustará el tiempo en horas.  
**OFF (APAGADO)**—Cuando el acondicionador de aire está encendido (On), puede ser ajustado para que se apague automáticamente de 1 a 12 horas. Cada toque ajustará el tiempo en horas.  
**Para cancelar el sincronizador,** presione la tecla **TIMER (SINCRONIZADOR)** hasta que el tiempo en la pantalla desaparezca.
- 9 Receptor de la señal del control remoto**

## Control remoto

- Para garantizar una operación apropiada, oriente el control remoto hacia el Receptor de señales del acondicionador de aire.
- El Receptor de señales tiene un rango máximo de 21 pies.
- Cerciórese de que no haya nada entre el acondicionador de aire y el control remoto que pueda bloquear la señal.
- Cerciórese de que las baterías son frescas e instaladas correctamente según se indica en el control remoto.



Las luces al lado de las teclas de toque en el panel de control del acondicionador de aire indicarán los ajustes seleccionados.

### Modo COOL (FRÍO)

Use el modo **COOL** con ventilador **HIGH (F3) – ALTO**, **MED (F2) MEDIO** o **LOW (F1) BAJO** para enfriar. Use las teclas de **INCREASE (AUMENTAR) ▲/DECREASE (REDUCIR) ▼** para ajustar a la temperatura deseada entre 64°F y 86°F en incrementos de 1°F.

Se usa un termostato electrónico para mantener la temperatura de la habitación. El compresor hará ciclo entre apagado y encendido para mantener la habitación a la temperatura deseada. Ajuste el termostato a un número menor y el aire interno se enfriará más. Si lo ajusta a un número mayor, la temperatura del aire interno se calentará más.

**NOTA:** Si el acondicionador de aire está apagado y entonces es encendido mientras está ajustado en **COOL (FRÍO)**, tomará aproximadamente 3 minutos para que el compresor comience a enfriar otra vez.

### Descripciones de enfriamiento

**Para enfriamiento normal**—Seleccione el modo de ventilador **COOL (FRÍO)** y **HIGH (F3) (ALTO)** o **MED (F2) (MEDIO)** con una temperatura de ajuste media.

**Para enfriamiento máximo**—Seleccione el modo de ventilador **COOL** y **HIGH (F3) (ALTO)** con una temperatura de ajuste menor.

**Para enfriamiento silencioso & enfriamiento nocturno**—Seleccione el modo de ventilador **COOL (FRÍO)** y **LOW (F1) (BAJO)** con una temperatura de ajuste media.

**NOTA:** Si usted cambia de un ajuste **COOL (FRÍO)** a **OFF (APAGADO)** o a un ajuste de ventilador, espere aproximadamente 3 minutos antes de cambiar otra vez al ajuste de **COOL (FRÍO)**.

### Modo de FAN (Ventilador)

Use el **FAN (Ventilador)** en **High (F3) (ALTO)**, **MED (F2) (MEDIO)** o **LOW (F1) (BAJO)** para proporcionar circulación de aire y filtración sin enfriamiento.

Debido a que los niveles de ventilador únicamente no proporcionan enfriamiento, el nivel de temperatura no se muestra en la pantalla.

### Vent Control (Control de la ventilación)

El control de ventilación está localizado en el interior de las persianas en la esquina derecha inferior.

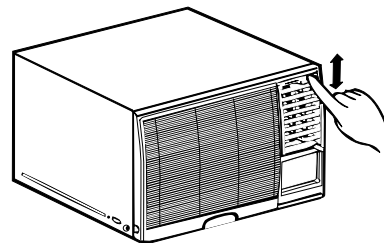
Cuando está ajustado a **CLOSE (CERRADO)**, solamente el aire en el interior de la habitación será circulado y acondicionado. Cuando está ajustado a

**OPEN (ABIERTO)**, un poco del aire interno es expelido hacia afuera.

Para abrir la rejilla, tire de la palanca hacia usted. Para cerrarla, empújela hacia adentro.

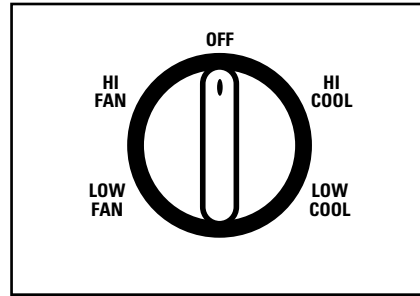
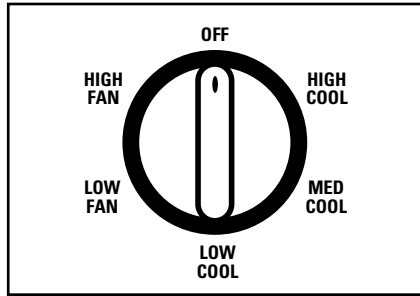
### Dirección del aire—Hacia arriba y hacia abajo

Una presión sencilla con los dedos en parte posterior de la persianita horizontal ajustará la dirección del aire hacia arriba o hacia abajo.



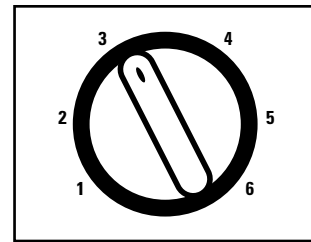
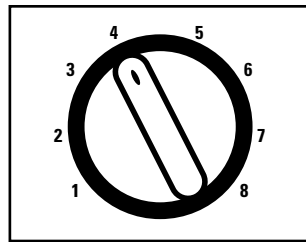
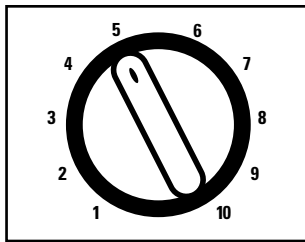
# Acerca de los controles en el acondicionador de aire— modelos con botón de control.

Las funciones y el aspecto pueden variar.



## 1 CONTROLES DE MODO

Su modelo tendrá uno de los tipos de control mostrados arriba.



## 2 CONTROLES DE TEMPERATURA

Su modelo tendrá uno de los tipos de control mostrados arriba.



### Controles

**1 Controles de modo**  
**HIGH COOL (ENFRIAMIENTO ALTO), MED COOL (ENFRIAMIENTO MEDIO) y LOW COOL (ENFRIAMIENTO BAJO)** proporciona enfriamiento con diferentes teclas de velocidad.

Los ajustes de **FAN (VENTILADOR)** proporcionan circulación de aire y filtración sin enfriar.

**NOTA:** Si usted mueve este control de modo de un nivel frío a **OFF (APAGADO)** o a un ajuste de ventilador, espere por lo menos 3 minutos antes de cambiar otra vez a un ajuste de enfriamiento.

#### Descripciones de enfriamiento

**Para enfriamiento normal**—Seleccione **HIGH COOL (ENFRIAMIENTO ALTO)** o **MED COOL (ENFRIAMIENTO MEDIO)** con el control de temperatura en el nivel medio.

**Para enfriamiento máximo**—Seleccione **HIGH COOL (ENFRIAMIENTO ALTO)** con el control de temperatura en un número mayor disponible en su teclado.

**Para enfriamiento silencioso durante la noche**—Seleccione **LOW COOL (ENFRIAMIENTO BAJO)** con el control de temperatura en el nivel medio.

**2 Controles de temperatura**  
El control de temperatura es usado para mantener la temperatura de la habitación. El compresor hará ciclo entre encendido y apagado para mantener el mismo nivel de temperatura en la habitación. Cuando usted gira el botón hacia un número mayor, el aire interno se enfriará más. Si lo ajusta a un número menor, la temperatura del aire interno se calentará más.

## Controles adicionales e información importante.

### Ahorro de energía (en algunos modelos)

El interruptor de ahorro de energía controla el ventilador.

**ON (ENCENDIDO)**—El ventilador y el compresor hacen ciclo entre encendido y apagado. Esto da como resultado mayores variaciones de temperaturas y humedad en la habitación. Normalmente este es usado cuando la habitación no está siendo ocupada.

**OFF (APAGADO)**—El ventilador es accionado todo el tiempo, mientras el compresor hace ciclo entre apagado y encendido.

Este interruptor debe quedar ajustado a **OFF (APAGADO)** para poder usar los ajustes del ventilador (en el modelo de control).

### Vent Control (Control de la ventilación)

El control de ventilación está localizado encima de los botones de control.

Cuando está ajustado a **CLOSE (CERRADO)**, solamente el aire en el interior de la habitación será circulado y acondicionado. Cuando está ajustado a **OPEN (ABIERTO)**, un poco del aire interno es expelido hacia afuera.

Para abrir la rejilla, tire de la palanca hacia usted. Para cerrarla, empujela hacia adentro.

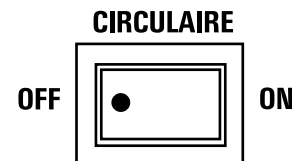
### Dirección del aire—lado a lado

#### CIRCULAIRE (CIRCULADOR DE AIRE)

(en algunos modelos)

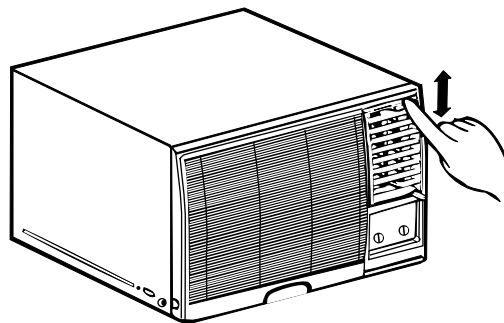
Para dirección de lado a lado del aire, ajuste el interruptor de CIRCULAIRE (CIRCULADOR DE AIRE) a **ON (ENCENDIDO)** hasta obtener la dirección lateral de aire que es deseada; entonces muévalo hasta **OFF (APAGADO)**.

Para circulación del aire de lado a lado continua (función de enfriamiento solamente), ajuste el CIRCULAIRE (CIRCULADOR DE AIRE) a la posición **ON (ENCENDIDO)** y déjelo así.



### Dirección del aire—Hacia arriba y hacia abajo

Una presión sencilla con los dedos en parte posterior de la persianita horizontal ajustará la dirección del aire hacia arriba o hacia abajo.



## Cuidado y limpieza del acondicionador de aire.

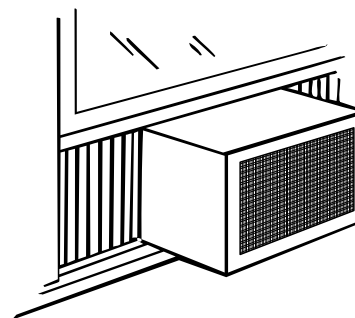
### Parrilla y caja

Apague el acondicionador de aire y retire el enchufe del tomacorriente de la pared antes de limpiar.

Para limpiar, use agua y un detergente suave. No use cloro o materiales abrasivos.

### Bobinas para exteriores

Las bobinas en el lado exterior del acondicionador de aire debe ser inspeccionada regularmente. Si la misma está obstruida con suciedad u hollín, podría ser limpiada profesionalmente con vapor, y nosotros en GE podemos proporcionarle tales servicios.

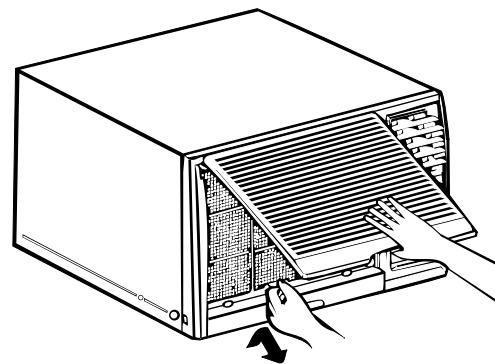


### Filtro de aire

El filtro de aire detrás de la parrilla frontal debe ser inspeccionado y limpiado por lo menos cada 30 días o más a menudo si fuese necesario.

#### Para retirar (en algunos modelos):

- 1 Abra la parrilla de entrada hacia arriba tirando de la misma desde el fondo.
- 2 Usando la parrilla, tire hacia arriba ligeramente sobre el filtro para liberarlo y extraígallo.



Limpie el filtro con agua tibia y jabón. Enjuáguelo y permita que se seque antes de colocarlo otra vez en su lugar.

**PRECAUCIÓN:** NO opere el acondicionador de aire sin el filtro debido a que la suciedad y las pelusas lo obstruirán y reducirán su rendimiento.

# Preparándose para instalar el acondicionador de aire.

Lea estas instrucciones completa y cuidadosamente.



## Antes de comenzar

**NOTA AL INSTALADOR:** Deje estas instrucciones con el acondicionador de aire después de que la instalación haya sido completada.

**NOTA AL CONSUMIDOR:** Mantenga este Manual de Instrucciones e Instrucciones de Instalación para uso futuro.

### NOTAS IMPORTANTES:

Para su seguridad personal, este acondicionador de aire debe estar conectado a tierra apropiadamente.

Es importante que usted solicite a un técnico calificado que inspeccione el tomacorriente de la pared y el circuito para cerciorarse de que el sistema de cables está conectado a tierra.

Siga los códigos Eléctricos Nacionales (NEC – National Electric Codes) y/o las ordenanzas locales.



### PRECAUCIÓN:

Bajo ninguna circunstancia corte o retire la tercer púa (conexión a tierra) del cable eléctrico.

No cambie el enchufe en el cable eléctrico de este acondicionador de aire.

Los cables caseros de aluminio podrían presentar problemas especiales. Consulte a un técnico electricista calificado.



## Requisitos eléctricos

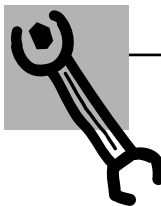


Algunos modelos requieren tomacorrientes de 115/120 voltios de corriente alterna y 60 Hz conectado a tierra, protegido con un fusible de dilatación de tiempo de 15 amperios o un cortacircuito.

El enchufe de 3 púas con conexión a tierra minimiza la posibilidad de descargas eléctricas. Si el tomacorriente de la pared que usted planea usar solamente tiene 2 tomas, es su responsabilidad hacer que un técnico lo reemplace por uno de tres tomas con conexión a tierra.



Algunos modelos requieren 230/208 voltios, de corriente alterna, protegidos por un fusible de dilatación de tiempo o un cortacircuito. Estos modelos deberían ser instalados en un ramal exclusivo del circuito para un rendimiento más notable y para prevenir sobrecargas en los circuitos de cableados de su casa o apartamento, lo cual podría representar un riesgo de incendios por el sobrecalentamiento de los alambres.



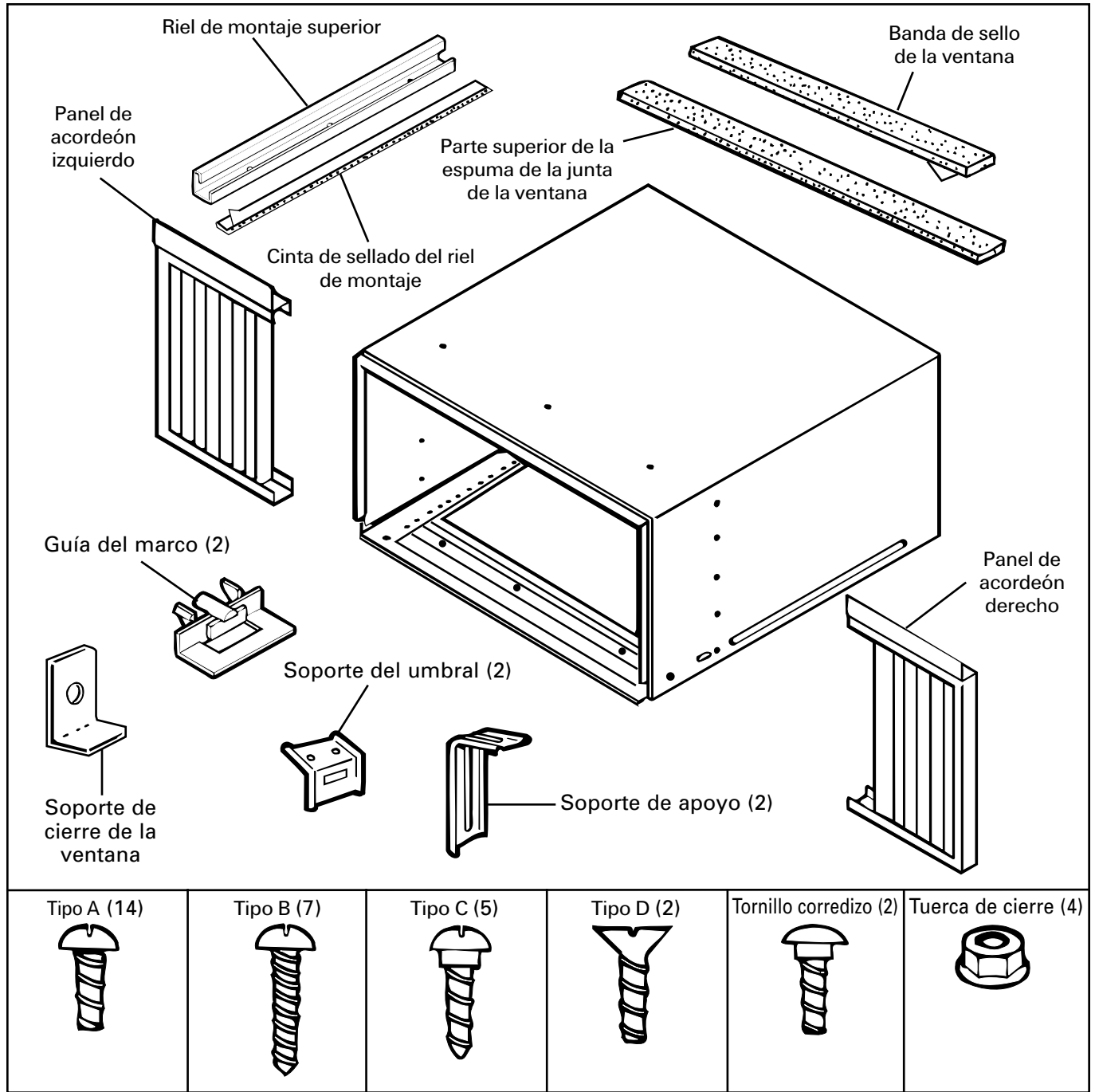
## Herramientas que necesitará

- Un destornillador de estrella
- Destornillador plano
- Una regla o cinta métrica
- Tijeras o una cuchilla

- Lápiz
- Nivel
- Martillo

# Instrucciones para la instalación en una ventana.

## Partes incluidas

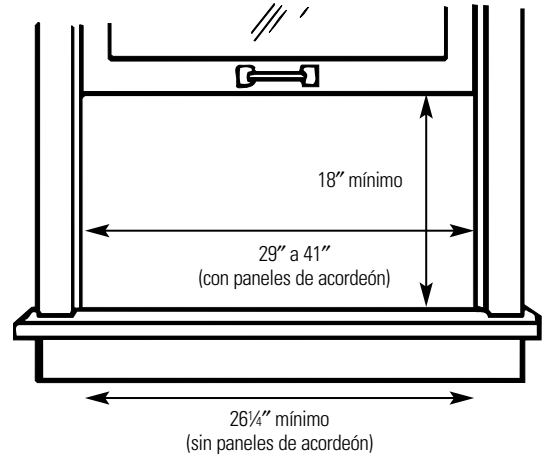


Lea completamente, entonces siga paso por paso.

# 1

## Requisitos para la ventana

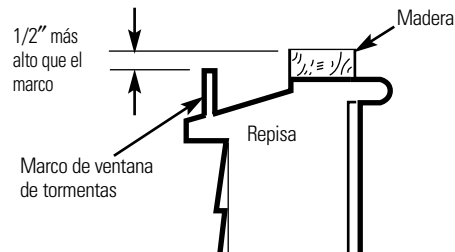
- Estas instrucciones son para una ventana estándar de dos pliegues. Usted necesitará modificar el proceso para otros tipos de ventanas.
- El acondicionador de aire puede ser instalado sin los paneles de acordeón para ajustarse a una ventana más estrecha. Ver las dimensiones de la abertura de la ventana más adelante.
- Todas las partes de apoyo deben quedar totalmente aseguradas a algún metal, mampostería o a la madera.
- El tomacorriente eléctrico debe estar al alcance del cable eléctrico del acondicionador de aire.



# 2

## Requisitos de una ventana de tormentas

Un marco de ventana de tormentas no permitirá que el acondicionador de aire se incline hacia el exterior y evitará que drene apropiadamente. Para solucionar este problema, adhiera un pedazo de madera a la repisa.



### PEDAZOS DE MADERA—

**ANCHO:** 2"

**LONGITUD:** Lo suficientemente largo como para ajustar en el interior del marco de la ventana.

**GRUESO:** Para determinar el grueso. Coloque un pedazo de madera en la repisa para hacerla 1/2" más alta que la parte superior del marco de la ventana de tormentas.

Péguelo firmemente con clavos o con tornillos proporcionados por el instalador.

# Instrucciones para la instalación en una ventana.

Instrucciones de seguridad

Instrucciones de operación

Instrucciones de instalación

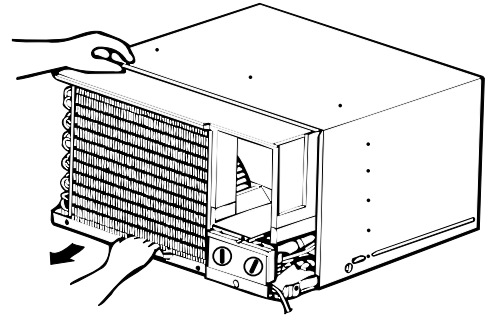
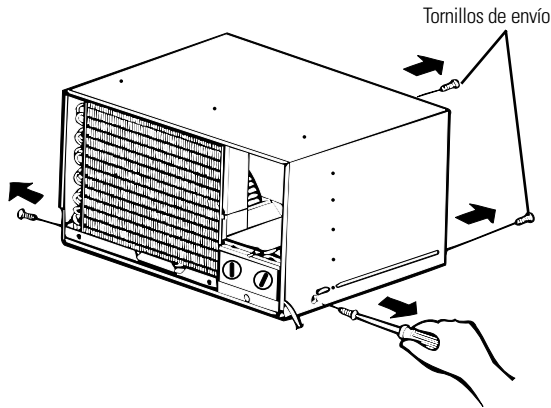
Solución de problemas

Apoyo al consumidor

## 3

### Retire el acondicionador de aire de la caja

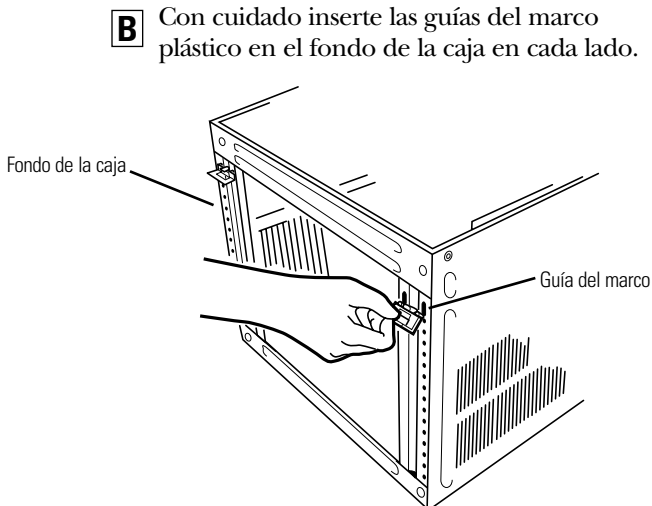
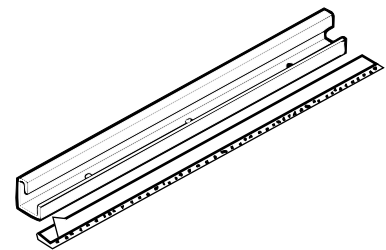
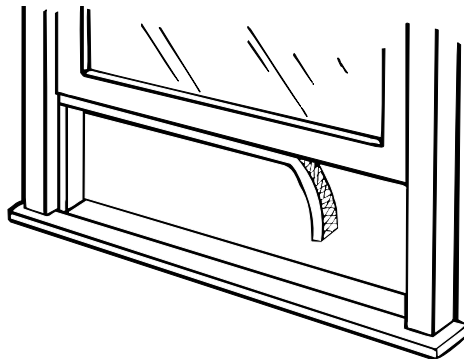
- A** Remueva los dos tornillos de envío de la parte posterior de la caja.
- B** Retire los 2 tornillos en cada lado de la caja. Guárdelos para más tarde.
- C** Deslice el acondicionador de aire de la caja agarrando la empuñadura del cárter base y tire hacia adelante mientras sostiene la caja.



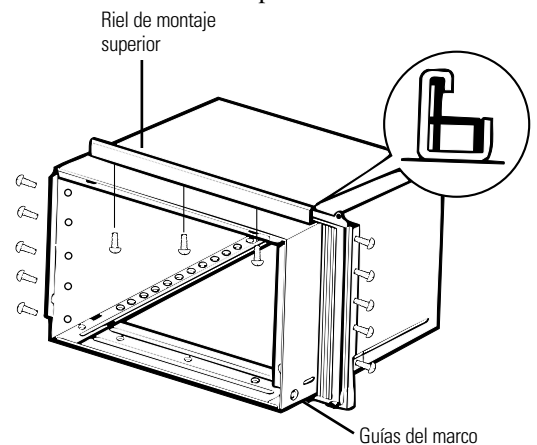
## 4

### Prepare la ventana y la caja

- A** Corte el sello de la banda de la ventana a la longitud apropiada. Pele la parte posterior y pegue el sello a la parte inferior de la banda de la ventana.
- B** Con cuidado inserte las guías del marco plástico en el fondo de la caja en cada lado.
- C** Retire el apoyo del sello del riel de montaje y péguelo al fondo del riel de montaje superior.
- D** Instale el riel de montaje superior con 3 tornillos tipo A en el interior de la caja. Inserte los marcos para los paneles de acordeón en el riel de montaje superior y las guías del marco. Una los paneles de acordeón al lado de la caja usando 5 tornillos tipo A.



- D** Instale el riel de montaje superior con 3 tornillos tipo A en el interior de la caja. Inserte los marcos para los paneles de acordeón en el riel de montaje superior y las guías del marco. Una los paneles de acordeón al lado de la caja usando 5 tornillos tipo A.

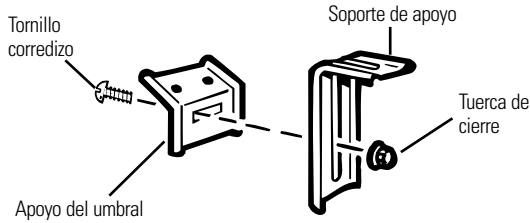




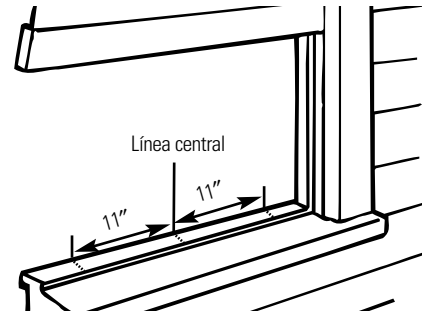
5

**Prepare la ventana**

- A** Una los soportes del umbral a los soportes de apoyo que queden flojos usando 2 tornillos corredizos y 2 tuercas de cierre.



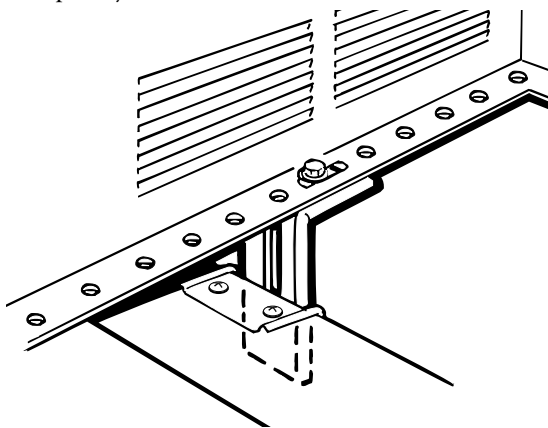
- B** Abra la ventana y marque la línea central de la repisa de la ventana. Mida y marque 11" hacia la izquierda y hacia la derecha de la línea central.



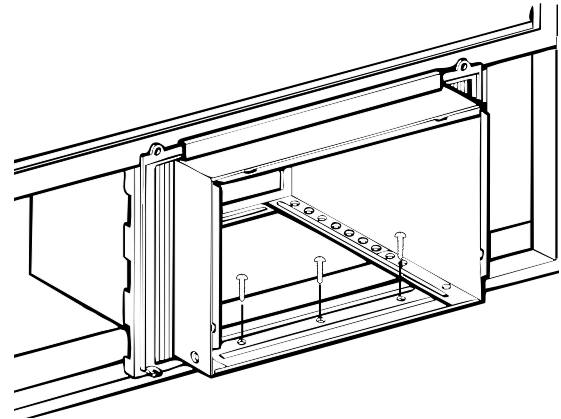
6

**Instale la caja en la ventana**

- A** Alinee el extremo interno de los apoyos del umbral con las marcas de 11" a partir de la línea central y únalos al umbral de la ventana usando 2 tornillos tipo B en cada lado.
- B** Con cuidado coloque la caja en la repisa de la ventana alineando el centro frontal en el fondo con la línea central marcada en la repisa de la ventana. Cierre la ventana cerciorándose de que la banda está detrás del riel de montaje superior.
- C** Usando el agujero de mayor diámetro en la caja, pegue los soportes a la caja usando 2 tornillos tipo D y 2 tuercas se cierre en cada lado.

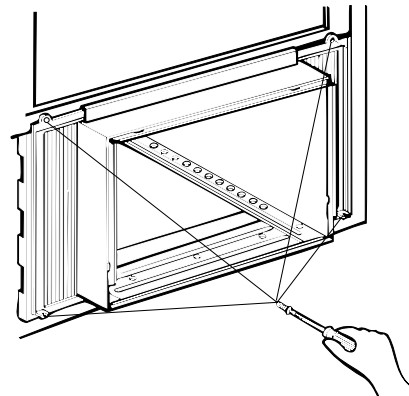


- E** Asegure la caja a la repisa de la ventana usando 3 tornillos tipo B.



- D** Ajuste los tornillos corredizos y las tuercas de cierre en cada soporte de forma tal que la caja esté instalada con una pequeña inclinación hacia el exterior. Use un nivel; aproximadamente 1/3 de burbuja será la inclinación correcta hacia el exterior. Apriete los tornillos.

- F** Tire de los paneles de acordeón hacia cada paso del marco de la ventana. Únalos a cada lado del marco de la repisa de la ventana usando 4 tornillos tipo C.



**PRECAUCIÓN:** NO taladre un agujero en el cárter base. La unidad está diseñada para operar con aproximadamente 1/2" de agua en el cárter base.

# Instrucciones para la instalación en una ventana.

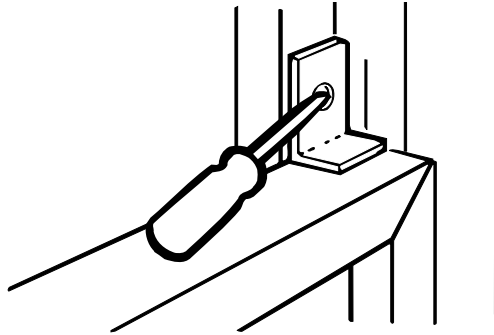
Instrucciones de seguridad

Instrucciones de operación

7

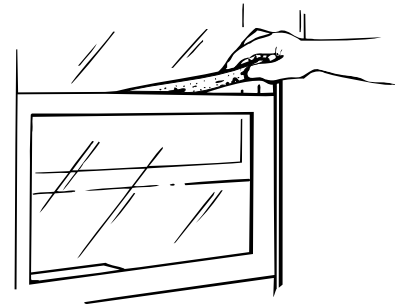
## Instale el soporte de cierre de la ventana y la junta de espuma superior de la ventana

**A** Una el soporte de cierre de la ventana con un tornillo tipo C.



**B** Corte la parte superior de la espuma de la junta al ancho de la ventana.

**C** Rellene la espuma entre el vidrio y la ventana para evitar que aire e insectos se introduzcan en la habitación.

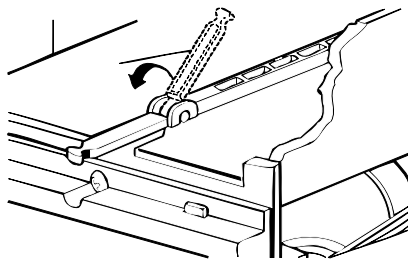


8

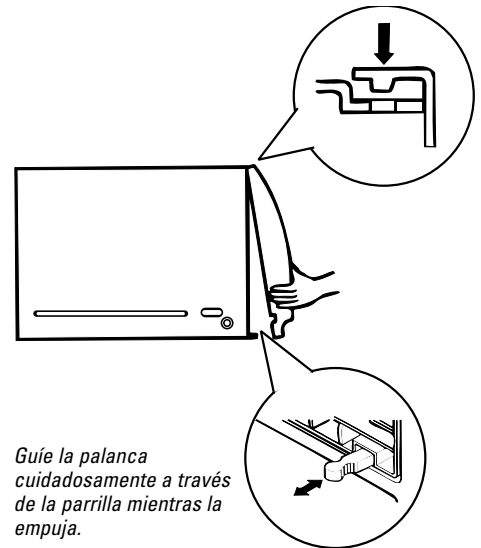
## Instale el acondicionador de aire en la caja

**A** Deslice el acondicionador de aire en la caja. Reinstale los 2 tornillos removidos anteriormente en cada lado de la caja.

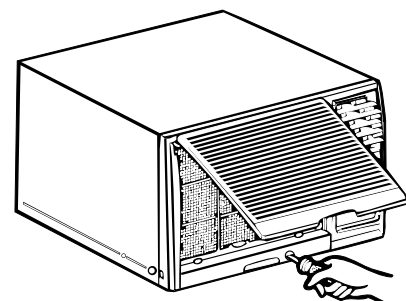
**B** Antes de instalar la parrilla frontal, tire hacia afuera de la palanca de control de ventilación localizada encima de los botones de control de la unidad, como se muestra.



**C** Una la parrilla del frente a la caja insertando las orejillas en la parrilla en las ranuras en el frente de la caja. Empuje la parrilla hasta que encaje en su lugar.



**D** Levante la parrilla de entrada y asegúrela al marco frontal con un tornillo tipo A. Baje la parrilla de entrada a su lugar.



Instrucciones de instalación

Solución de problemas

Apoyo al consumidor



Ideas para la identificación y solución de problemas:

¡Ahorre dinero y tiempo! Revise la siguiente tabla primero y quizás no tenga que llamar para solicitar servicio.

Problema	Causas posibles	Qué hacer
<b>El acondicionador de aire no enciende</b>	El acondicionador de aire está desconectado.	• Cértese de que el acondicionador de aire está enchufado totalmente en el tomacorriente.
	El fusible se disparó/ el cortacircuitos se disparó.	• Inspeccione los fusibles/caja de interruptores de la casa y reemplace cualquier fusible o reajuste el interruptor.
	Interrupción en el suministro eléctrico.	• Si ocurre una interrupción en el suministro eléctrico, apague ( <b>OFF</b> ) el acondicionador de aire. Cuando la energía se restaure, espere 3 minutos para reiniciar el acondicionador de aire para prevenir que se dispare el compresor por sobrecarga.
<b>El acondicionador de aire no enfría como debería</b>	El flujo de aire está restringido.	• Cértese de que no existe ninguna cortina, persiana o mueble bloqueando el frente del acondicionador de aire.
	El control de temperatura no está ajustado apropiadamente.	• En los modelos con teclado: En el modo <b>COOL (Frío)</b> , presione la tecla <b>DECREASE ▼</b> . • En los modelos con botones, gire la temperatura a un número mayor.
	El filtro de aire está sucio.	• Limpie el filtro cada 30 días por lo menos. Ver la sección de <i>Instrucciones de Operación</i> .
	La habitación podría haber estado caliente.	• Cuando el acondicionador de aire se enciende, usted necesita darle tiempo para que enfríe la habitación.
	El aire frío se está escapando.	• Cértese de que los registros de la calefacción no están abiertos y se encuentran retornando el aire frío. • Coloque la ventanilla del acondicionador de aire en la posición cerrada.
	Las bobinas de enfriamiento se congelaron.	• Ver <b>Acondicionador de aire congelándose</b> más adelante.
<b>El acondicionador de aire se está congelando</b>	El hielo bloquea el flujo de aire hacia el acondicionador de aire evitando que se enfríe la habitación.	• En modelos con los botones de control, coloque el control de modo en <b>HIGH FAN (Ventilador Alto)</b> ó <b>HIGH COOL (Frío Alto)</b> con la temperatura en <b>1</b> ó <b>2</b> . • En los modelos con teclas de toque, colo que los controles en <b>HIGH FAN (Ventilador Alto)</b> ó <b>HIGH COOL (Frío Alto)</b> y ajuste el termostato a una temperatura más alta.
<b>El control remoto no funciona</b>	Las baterías están insertadas incorrectamente.	• Inspeccione la posición de las baterías. Deben estar insertadas en las posición indicada, (+) y (-).
	Las baterías podrían estar muertas.	• Reemplace las baterías.
<b>Hay agua goteando afuera</b>	Calor excesivo y tiempo húmedo.	• Esto es normal.
<b>Hay agua goteando en el interior de la habitación</b>	El acondicionador de aire no está inclinado hacia afuera.	• Para drenar el agua apropiadamente, cerciéndose de que el acondicionador de aire está inclinado ligeramente desde el frente hacia atrás.

Instrucciones de seguridad

Instrucciones de operación

Instrucciones de instalación

Solución de problemas

Apoyo al consumidor

# Antes de llamar para solicitar servicio...



Ideas para la identificación y solución de problemas:

Problema	Causas posibles	Qué hacer
Se acumula agua en la bandeja	La humedad es removida del aire interno y drenada hacia la parte posterior del gabinete donde un ventilador la empuja contra el embobinado del condensador.	<ul style="list-style-type: none"><li>• Esto es normal por un corto período en áreas con poca humedad; normal por un período de tiempo más postergado en áreas más húmedas.</li></ul>

## Sonidos de operación normales

- Quizás escuche un sonido metálico causado por el agua tomada y tirada contra el condensador en los días lluviosos o cuando la humedad es alta. Esta característica de diseño ayuda a retirar la humedad y mejora la eficiencia.
- Quizás escuche que el termostato hace clic cuando el compresor hace ciclo entre encendido y apagado.
- El agua se acumula en la bandeja durante días lluviosos o con mucha humedad. El agua podría derramarse y gotear desde el lado externo de la unidad.
- El ventilador podría funcionar aun si el compresor no lo hace.

Instrucciones de seguridad

Instrucciones de operación

Instrucciones de instalación

Solución de problemas

Apoyo al consumidor

<i>Instrucciones de seguridad</i>	<i>Instrucciones de operación</i>	<i>Instrucciones de instalación</i>	<i>Solución de problemas</i>	<i>Apoyo al consumidor</i>
-----------------------------------	-----------------------------------	-------------------------------------	------------------------------	----------------------------

<b>Apoyo al consumidor</b>	<b>Solución de problemas</b>	<b>Instrucciones de instalación</b>	<b>Instrucciones de operación</b>	<b>Instrucciones de seguridad</b>
----------------------------	------------------------------	-------------------------------------	-----------------------------------	-----------------------------------

## **Notas.**

---

# Garantía de su acondicionador de aire.



Todos los servicios de garantía son proporcionados por nuestros Centros de Servicio de Factoría, o un Técnico de Atención al Cliente autorizado. Para planificar una visita, en línea, las 24 horas del día, visítenos en [GEAppliances.com](http://GEAppliances.com), o llámenos al 800.GE.CARES (800.432.2737).

Engrape su recibo aquí.  
Es necesario una prueba de su compra original para obtener servicio bajo la garantía.

Por el período de:	Reemplazará:
<b>Un año</b> A partir de la fecha de la compra original	<b>Cualquier parte</b> del acondicionador de aire que falle debido a defectos en los materiales o en la fabricación. Durante este <b>año completo de garantía</b> , nosotros también proporcionaremos, <b>sin costo alguno</b> , toda la mano de obra y los servicios internos—para reemplazar partes defectuosas.
<b>Cinco años</b> A partir de la fecha de la compra original	<b>Cualquier parte del sistema de refrigeración sellada</b> (compresor, condensador, evaporador y tuberías de conexión) que fallen debido a defectos en los materiales o fabricación. Durante estos <b>garantía de cuatro años adicional</b> , nosotros también proporcionaremos, <b>sin costo alguno</b> , toda la mano de obra y los servicios internos para reemplazar partes defectuosas.

## Lo que no está cubierto:

- Viajes de servicio a su casa para mostrarle cómo funciona el equipo.
- Instalación inapropiada. Si usted tiene un problema durante la instalación, o si su acondicionador de aire no tiene la capacidad de enfriamiento que usted necesita, póngase en contacto con nuestro distribuidor o instalador. Usted es responsable de proporcionar las facilidades de conexión eléctrica necesarias.
- Fallo del producto resultante de modificaciones al producto o debido a uso irrazonable incluyendo no proporcionar mantenimiento razonable y necesario.
- En locales comerciales, la mano de obra necesaria para retirar la unidad hacia un lugar para revisión por parte de un técnico individual.
- Reemplazo de fusibles de la casa o reajuste del sistema de circuitos.
- Fallos debido a la corrosión en modelos que no están protegidos contra la corrosión.
- Daño al producto causado por voltaje inapropiado hacia el equipo, accidentes, incendios, inundaciones o actos de la naturaleza de fuerza mayor.
- Daños incidentales o consecuenciales causados por defectos posibles con este acondicionador de aire.

Esta garantía se extiende al comprador original y cualquier comprador posterior de productos comprados para uso residencial dentro de Estados Unidos. En Alaska, la garantía excluye el costo de envío o las visitas de servicio a su casa.

Algunos estados no permiten la exclusión o las limitaciones de daños incidentales o consecuenciales. Esta garantía da derechos legales específicos, y usted podría tener otros derechos que variarán de estado a estado. Para saber cuáles son sus derechos legales, consulte a la oficina de asuntos del consumidor local o la oficina del Attorney General en su localidad.

**Garante: General Electric Company. Louisville, KY 40225**

Instrucciones de seguridad

Instrucciones de operación

Instrucciones de instalación

Solución de problemas

Apoyo al consumidor

## Soporte al Consumidor.

---



### *Página Web de GE Appliances*

**GEAppliances.com**

¿Tiene alguna pregunta sobre su electrodoméstico? ¡Pruebe la página Web de GE Appliances 24 horas al día, cualquier día del año! Para mayor conveniencia y servicio más rápido, ya puede descargar los Manuales de los Propietarios, pedir piezas o incluso hacer una cita en línea para que vengan a realizar una reparación. También puede “Ask Our Team of Experts™” (Preguntar a nuestro equipo de expertos) sobre cualquier cuestión y mucho más...



### *Solicite una reparación*

**GEAppliances.com**

El servicio de expertos GE está a tan sólo un paso de su puerta. ¡Entre en línea y solicite su reparación cuando le venga bien 24 horas al día cualquier día del año! O llame al 800.GE.CARES (800.432.2737) durante horas normales de oficina.



### *Real Life Design Studio (Estudio de diseño para la vida real)*

**GEAppliances.com**

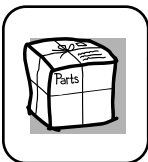
GE apoya el concepto de Diseño Universal—productos, servicios y ambientes que pueden usar gente de todas las edades, tamaños y capacidades. Reconocemos la necesidad de diseñar para una gran gama de habilidades y dificultades físicas y mentales. Para más detalles sobre las aplicaciones de GE Diseño Universal, incluyendo ideas de diseño para la cocina para personas con discapacidades, mire nuestra página Web hoy mismo. Para personas con dificultades auditivas, favor de llamar al 800.TDD.GEAC (800.833.4322).



### *Garantías ampliadas*

**GEAppliances.com**

Compre una garantía ampliada y obtenga detalles sobre descuentos especiales disponibles mientras su garantía está aún activa. Puede comprarla en línea en cualquier momento, o llamar al (800.626.2224) durante horas normales de oficina. GE Consumer Home Services estará aún ahí cuando su garantía termine.

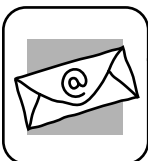


### *Piezas y accesorios*

**GEAppliances.com**

Aquellos individuos con la calificación necesaria para reparar sus propios electrodomésticos pueden pedir que se les manden las piezas o accesorios directamente a sus hogares (aceptamos las tarjetas VISA, MasterCard y Discover). Haga su pedido en línea hoy, 24 horas cada día o llamar por teléfono al 800.626.2002 durante horas normales de oficina.

**Las instrucciones descritas en este manual cubren los procedimientos a seguir por cualquier usuario. Cualquier otra reparación debería, por regla general, referirse a personal calificado autorizado. Debe ejercerse precaución ya que las reparaciones incorrectas pueden causar condiciones de funcionamiento inseguras.**



### *Póngase en contacto con nosotros*

**GEAppliances.com**

Si no está satisfecho con el servicio que recibe de GE, póngase en contacto con nosotros en nuestra página Web indicando todos los detalles así como su número de teléfono o escribanos a:

General Manager,  
Customer Relations  
GE Appliances,  
Appliance Park  
Louisville, KY 40225



### *Registre su electrodoméstico*

**GEAppliances.com**

¡Registre su nuevo electrodoméstico en línea—cuando usted prefiera! El registrar su producto a tiempo le proporcionará, si surgiera la necesidad, una mejor comunicación y un servicio más rápido bajo los términos de su garantía. También puede enviar su tarjeta de registro pre-impresa que se incluye en el material de embalaje.