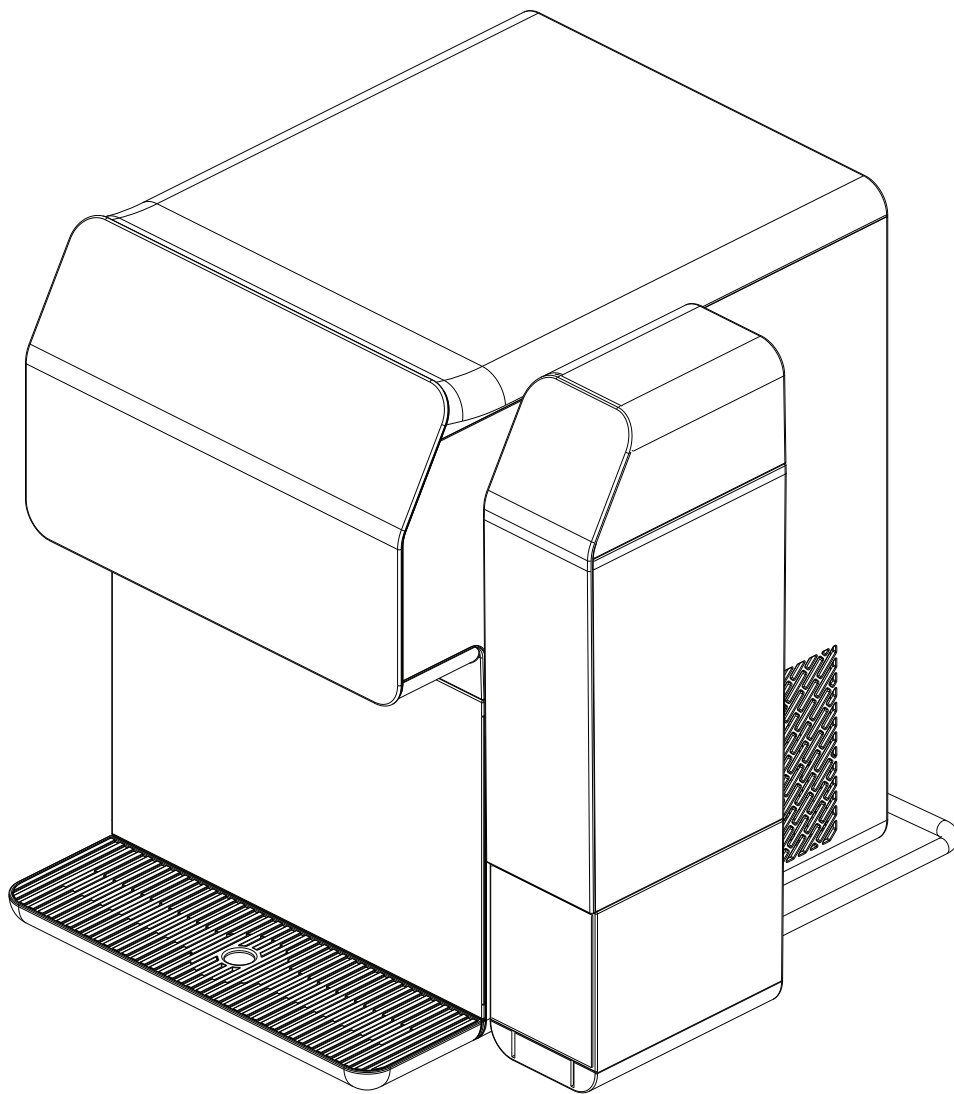




# OPAL™ NUGGET ICE MAKER DISPENSER OWNER'S MANUAL



**ENGLISH/FRANÇAIS**

GE is a trademark of the General Electric Company. Manufactured under trademark license.

49-9000015 Rev. 0 01-21 GEA



---

**THANK YOU FOR MAKING GE APPLIANCES A PART OF YOUR HOME.**

Whether you grew up with GE Appliances, or this is your first, we're happy to have you in the family.

We take pride in the craftsmanship, innovation and design that goes into every GE Appliances product, and we think you will too. Among other things, registration of your appliance ensures that we can deliver important product information and warranty details when you need them.

# Table of Contents

---

**SAFETY INFORMATION** .....4

**PARTS INCLUDED** .....6

**GETTING STARTED** .....7

**Making Ice** .....7

**Draining** .....7

**Water Filter** .....8

**UNDERSTANDING THE DISPLAY** .....8

**CARE AND CLEANING** .....9

**SIDE TANK ACCESSORY** .....12

**TROUBLESHOOTING** .....14

**ICE MAKER PRODUCT SPECIFICATIONS** .....15

**LIMITED WARRANTY** .....16

**CONSUMER SUPPORT** .....17

## Model Numbers and Registration

---

P4INDOS6RBB

Write the model and serial numbers here:

Model # \_\_\_\_\_

Serial # \_\_\_\_\_

Find these numbers on a label on the back of the unit.

# IMPORTANT SAFETY INFORMATION

## READ ALL INSTRUCTIONS BEFORE USING THE APPLIANCE

**▲ WARNING** To reduce the risk of fire, explosion, electric shock, or injury when using your Opal, follow these basic safety precautions.

- Do not, under any circumstances, alter or remove the third (ground) prong from the power cord. For personal safety, this product must be properly grounded.
- Do not exceed power outlet ratings. It is recommended that the ice maker is connected to its own circuit. Use only a 115 V, 60 Hz standard electrical supply that is properly grounded in accordance with the National Electric Code and local codes and ordinances.
- Due to potential safety hazards under certain conditions, we strongly advise against the use of an extension cord. However, if you must use an extension cord, it is absolutely necessary that it is a UL-listed, 3-wire ground type appliance extension cord having a grounding type plug and that the electrical rating of the cord be 15 Amperes (minimum) and 120 Volts.
- This product must be properly installed and located in accordance with the installation instructions before it is used. Product is for indoor household use only. Do not use outdoors.
- Do not store or use flammable vapors or liquids near this product.
- Do not allow children to climb, stand, or hang on the ice maker. They could seriously injure themselves.
- Do not use with water that is micro-biologically unsafe or of unknown quality.
- Place power cord in such a way it cannot be pulled on by children or cause a tripping hazard.
- Place power cord in such a way that it is not in contact with hot surfaces.
- Do not operate if any component, including the cord or plug, is damaged.
- Unplug the product before cleaning by hand and when not in use.
- Do not immerse any part of the product in water.
- Do not plug or unplug product with wet hands.
- Do not attempt to disassemble, repair, modify, or replace any part of your product.
- Use this product only for its intended purpose as described in this user manual.
- Do not use any accessories not recommended by the manufacturer.
- When handling, installing, and operating the appliance, care should be taken to avoid damage to the refrigerant tubing.
- Servicing shall be performed by factory authorized service personnel and component parts shall be replaced with manufacturer authorized replacement components.

**▲ CAUTION** To reduce the risk of injury when using your Opal, follow these basic safety precautions.

- Do not remove any safety, warning, or product information labels from your ice maker.
- Lifting Hazard: It is recommended to have two people move and install the ice maker in order to prevent injury.

### Refrigerant and Foam Disposal

Dispose of appliance in accordance with Federal and Local Regulations. Flammable refrigerant and insulation material used require special disposal procedures. Contact your local authorities for the environmentally safe disposal of your appliance.

**▲ WARNING**  **FIRE OR EXPLOSION HAZARD Flammable Refrigerant**

**This appliance contains isobutane refrigerant, also known as R600a, a natural gas with high environmental compatibility. However, it is also combustible. Adhere to the warnings below to reduce the risk of injury or property damage.**

1. When handling, installing, and operating the appliance, care should be taken to avoid damage to the refrigerant tubing.
2. Service shall only be performed by authorized service personnel. Use only manufacturer-authorized service parts.
3. Dispose of refrigerator in accordance with Federal and Local Regulations. The flammable refrigerant and insulation material used in this product require special disposal procedures. Contact your local authorities for the environmentally safe disposal of your refrigerator.
4. Keep ventilation openings in the appliance enclosures or in the built-in structure clear of obstruction.
5. To remove frost, scrape with a plastic or wood spatula or scraper. Do not use an ice pick or a metal or sharp-edged instrument as it may puncture the freezer liner and then the flammable refrigerant tubing behind it.
6. Do not use electrical appliances inside the food storage compartment of the appliance.
7. Do not use any electrical device to defrost your appliance.

## READ AND SAVE THESE INSTRUCTIONS

# CONSIGNES DE SÉCURITÉ IMPORTANTES

## LISEZ, SUIVRE, ET CONSERVER CES INSTRUCTIONS

### **⚠ AVERTISSEMENT** Pour réduire le risque d'incendie, d'explosion, de choc électrique, ou de blessure lors de l'utilisation de votre Opal, observez les consignes de sécurité élémentaires suivantes.

- En cas, vous ne devez modifier ni retirer la troisième broche (terre) du cordon électrique. Pour votre sécurité, ce produit doit être correctement mis à la terre.
- N'excédez pas les valeurs nominales de la prise électrique. Nous recommandons que la machine à glaçons soit branchée à son propre circuit. Utilisez uniquement une alimentation électrique standard de 115 V, 60 Hz, correctement mise à la terre conformément au code national de l'électricité et aux codes et règlements locaux en vigueur.
- En raison de risques potentiels pour la sécurité dans certaines conditions, nous vous mettons fortement en garde contre l'utilisation d'un cordon prolongateur. Si toutefois vous devez utiliser un cordon prolongateur, celui-ci doit présenter les caractéristiques suivantes : type pour électroménagers à trois broches avec mise à la terre, fiche avec mise à la terre, homologation UL, valeurs nominales de 15 ampères (minimum) et 120 volts.
- Ce produit doit être installé correctement et placé conformément aux instructions d'installation avant son utilisation. Ce produit est destiné à un usage domestique à l'intérieur seulement. Ne l'utilisez pas à l'extérieur.
- Ne rangez ni n'utilisez des vapeurs ou des liquides inflammables à proximité de ce produit.
- Ne permettez pas aux enfants de grimper sur la machine à glaçons, ni de s'y tenir ou s'y agripper. Ils pourraient se blesser gravement.
- N'utilisez pas d'eau impropre à la consommation ou de qualité douteuse sur le plan microbiologique.
- Placez le cordon électrique de façon qu'il ne soit pas tiré par les enfants et qu'il ne pose pas un risque de trébuchement.
- Placez le cordon électrique de façon qu'il ne touche pas aux surfaces chaudes.
- Ne faites pas fonctionner l'appareil si un de ses composants, cordon et fiche inclus, est endommagé.
- Débranchez le produit avant de le nettoyer à la main ou lorsqu'il n'est pas utilisé.
- N'immergez aucune pièce de ce produit dans l'eau.
- Ne branchez ni ne débranchez le produit avec les mains mouillées.
- Ne tentez pas de démonter, réparer, modifier ou remplacer une pièce quelconque de ce produit.
- Utilisez ce produit uniquement aux fins auxquelles il est destiné qui sont décrites dans ce manuel d'utilisation.
- N'utilisez aucun accessoire qui n'est pas recommandé par le fabricant.
- Lors de la manipulation, de l'installation et de l'utilisation de l'appareil, veillez à ne pas endommager le tube de réfrigérant.
- L'entretien doit être effectué par du personnel de service autorisé par l'usine et les composants doivent être remplacés par des pièces de rechange autorisées par le fabricant.

### **⚠ ATTENTION** Pour réduire le risque de blessure lors de l'utilisation de votre Opal, observez les consignes de sécurité élémentaires suivantes.

- Ne retirez aucune étiquette apposée sur la machine à glaçons qui présente des renseignements sur la sécurité, les avertissements ou le produit.
- Risque associé à une charge lourde : Nous recommandons que deux personnes déplacent et installent la machine à glaçons afin de prévenir les blessures.

### Élimination du réfrigérant et de la mousse

Jeter l'appareil conformément aux réglementations fédérales et locales. Le réfrigérant inflammable et les matériaux d'isolation utilisés nécessitent des procédures d'élimination spéciales. Contactez vos autorités locales pour l'élimination écologique de votre appareil.

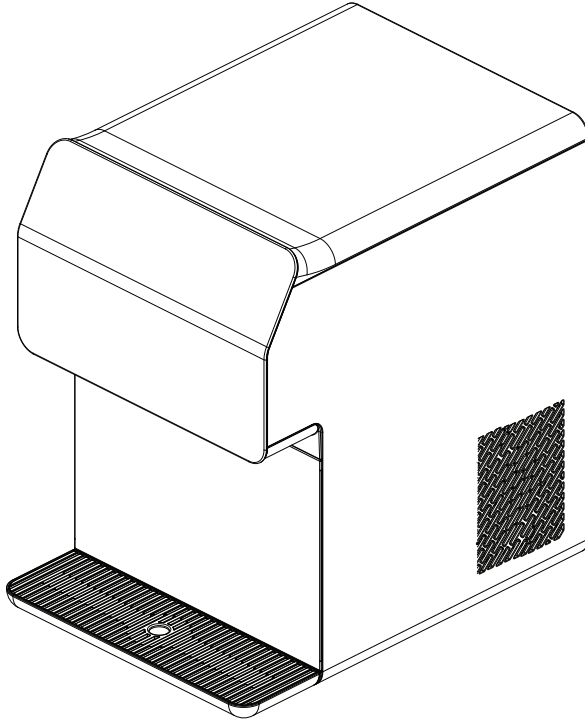
### **⚠ AVERTISSEMENT** RISQUE D'INCENDIE OU D'EXPLOSION Fluide frigorigène inflammable

Cet électroménager contient le réfrigérant isobutane, aussi connu comme R600a, un gaz naturel à compatibilité élevée avec l'environnement. Il s'agit cependant d'un combustible. Observez les consignes de sécurité ci-dessous afin de réduire le risque de blessure ou de dommage à la propriété.

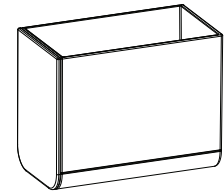
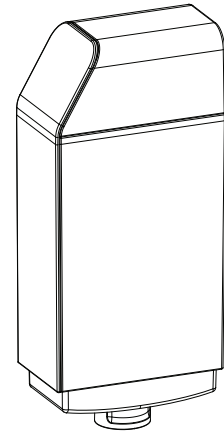
1. Lors de la manipulation, de l'installation et de l'utilisation de cet appareil, prenez soin de ne pas endommager les tubes de circulation du fluide frigorigène.
2. L'entretien ou la réparation doivent être effectués par un personnel de service autorisé. Utilisez seulement des pièces de rechange autorisées par le fabricant.
3. Mettez le réfrigérateur au rebut conformément aux réglementations fédérales et locales. Le fluide frigorigène inflammable et le matériel isolant utilisés nécessitent des procédures de mise au rebut spéciales. Communiquez avec les autorités locales compétentes pour la mise au rebut de votre réfrigérateur sans danger pour l'environnement.
4. N'obstruez pas les événements dans l'enceinte prévue pour l'appareil.
5. Pour retirer le givre, grattez à l'aide d'un grattoir ou d'une spatule en plastique ou en bois. N'utilisez pas un pic à glace ni un instrument métallique ou aux arêtes coupantes car il y a un risque de percer la doublure du congélateur et la tubulure du réfrigérant inflammable derrière elle.
6. N'utilisez pas d'appareils électriques dans le compartiment réfrigérateur de cet appareil.
7. N'utilisez aucun appareil électrique pour dégivrer votre congélateur.

## LISEZ, SUIVRE, ET CONSERVER CES INSTRUCTIONS

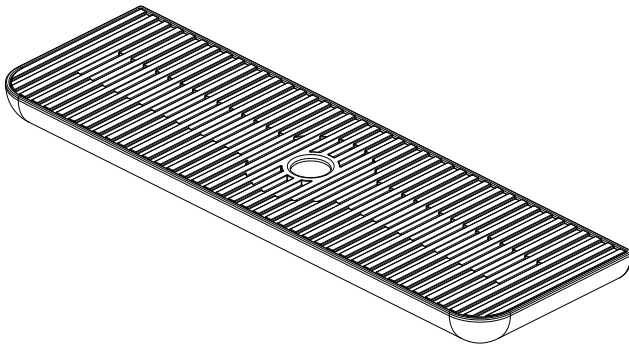
# Parts Included



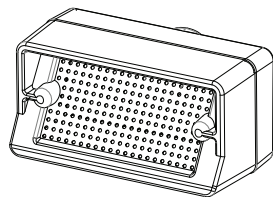
OPAL ICE MAKER DISPENSER



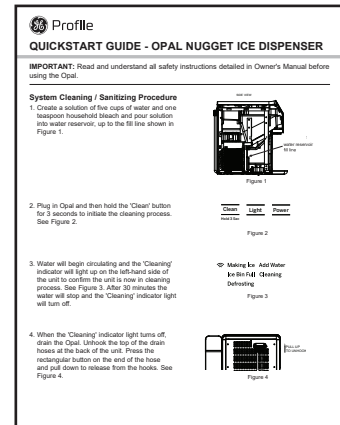
SIDE TANK ACCESSORY  
(SPECIFIC MODELS ONLY)



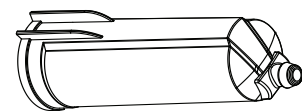
DRIP TRAY



SCREEN FILTER INTAKE



QUICK START GUIDE



WATER FILTER

# Getting Started

## Installation Requirements

**⚠ CAUTION** **Lifting Hazard: It is recommended to have two people move and install the ice maker in order to prevent injury.**

- Product is designed to be installed indoors. Do not use your ice maker outdoors.
- Product must be installed upright on a flat, level surface that is able to support the total weight when full of water.
- Ensure a minimum of three inches (3") clearance around the side and back walls of the ice maker for proper air circulation.
- Install the product in a well-ventilated area with an ambient temperature between 55°F and 90°F.
- Do not place the product near heat sources such as ovens or cooktops.
- Do not place the product in direct sunlight.

## Prepare Opal For Use

1. Carefully remove packing material. Do not use sharp tools that can damage the box contents.
2. Ensure all components are present. If any item is missing, please contact 1.866.907.6718.
3. Place the ice maker upright on a flat, level surface and plug it in.
4. Install drip tray by sliding in line with the front edge of the unit. The magnets will activate for proper alignment.
5. Sanitize and rinse the ice maker with clean water before first use. See page 9 for Care and Cleaning instructions.

**⚠ NOTICE** Some types of under-cabinet lamps can be hot enough to cause damage to your Opal top's appearance.

## Making Ice with Opal

Once Opal has been cleaned/sanitized, move the ice maker to its desired location and complete the following steps.

1. Remove front door panel to access lower reservoir or simply fill the Opal Side Tank accessory with water and insert into side tank base. See Page 12 for directions on setting up the side tank.
2. Fill reservoir with fresh, filtered, potable water up to the "Max Fill" line. Water hardness must be less than 12 grains per gallon. Do not fill reservoir with any liquid except water. Using any liquid except potable water is misuse and will void your warranty.
3. Plug the ice maker into a grounded outlet.
4. Touch the Power button to start the ice maker. The indicator on the left-hand side will light up 'Making Ice' to confirm that unit has begun to make ice.
5. Opal will begin to produce ice in 15 minutes. It will continue to make ice until the bin is full, or it runs out of water. To continue making ice, dispense ice from the ice bin or add more water.
6. After a few hours of ice making, you may find a residue build up in the lower reservoir of your ice maker from the manufacturing process. Promptly drain the ice making unit and manually clean off the residue with a wet cloth. Run the unit through a cleaning cycle to dispose of any extra residues.

**⚠ NOTICE** If using tap water, unit will need to be descaled more often (every 2-3 weeks) to maintain proper function.

## How to Dispense Ice

1. Place your cup under the dispenser.
  2. Press **Opal Dispense** button. Button will illuminate and ice will dispense as long as the button is pressed.
  3. Release the button and remove your cup when you have reached the desired amount of ice. Dispenser will automatically stop after 60 seconds of dispensing.
- NOTE:** It is normal to have a few ice cubes that could naturally fall a few moments after dispensing.

## Draining Opal

Please refer to steps 9-11 on page 10 for directions on how to drain your Opal.

We recommend draining your Opal when:

1. You put it away or anytime it's being relocated
2. You turn it off for more than a few days. (i.e. vacation)
3. You are not using much ice. Continuous recirculation of meltwater may affect taste. For best results, drain your Opal.

## WiFi Connect – SmarthQ

Your Opal Nugget Ice Maker Dispenser is WiFi Connect Enabled. A WiFi communication card is built into the product allowing it to communicate with your Smart Phone for remote monitoring, control, and notifications.

Easily pair your ice maker's built-in WiFi with the SmarthQ app to monitor device status and schedule fresh ice. Plus, receive automatic software updates that include the latest ice maker features and access voice control capabilities through Alexa and Google

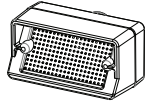
Please visit [geappliances.com/ge/connected-appliances/](http://geappliances.com/ge/connected-appliances/) to learn more about connected appliance features and to learn what connected appliance App's will work with your Smart Phone.

# Getting Started

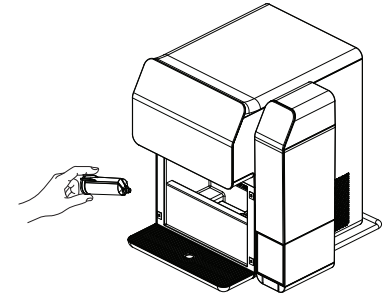
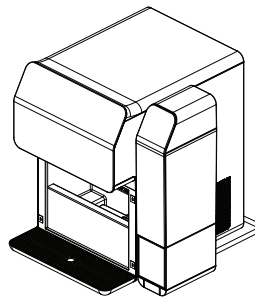
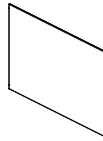
## GE Profile Opal Ice Maker Water Filter

The GE Profile Opal Ice Maker Water Filter is available through [geappliances.com](http://geappliances.com) and is the only water filter compatible with the Opal product line. Please follow the installation instructions included with your filter.

1. Remove the included screen from the ice machine. Make sure the filter is positioned with the "Fins" up.




2. Using two right-hand fingers to hold the Fins, slide the nozzle end of the filter into the hole located at the back, left-hand side of the lower reservoir.



3. Slide the base of the filter, where your fingers are located, so that it fits against the tab located towards the middle of the backside. Push down into place to ensure the filter is properly assembled into the unit.

**NOTE:** To remove the water filter, twist the filter toward you and lift. The filter should be replaced every 3 months.

## Understanding the display

 Making Ice Add Water  
 Ice Bin Full Cleaning  
 Defrosting

Clean Light Power  
Hold 3 Sec

### Opal Dispense

#### Power

The Power button, when pressed, will activate the machine controls, and begin the ice making process. When the machine is active and ON, the Power button, when pressed, will turn the ice dispenser off.

#### Light

The light feature has three different modes: ON/DIM/OFF. Toggle between the three modes by pressing the light button until you reach your desired lighting mode.

#### Clean

The cleaning cycle is initiated by pressing and holding the 'Clean' button for 3 seconds.

#### Indicator Lights

The five indicator lights on the left-hand side of the machine control display the current status of the Opal. If 'Add Water' is highlighted, your unit needs more water before it can cycle to make ice or clean.

#### Dispense

Press and hold the dispense button to start dispensing fresh ice. If the unit is plugged in but the power is off, unit will still dispense ice by pressing the middle area where the button is located.

#### WiFi

Using the complimentary SmartHQ mobile app, customers can connect to their Opal and control it from their Android or iPhone. The indicator light on the left-hand side will confirm a successful connection.

#### Defrost

If the ice engine is frozen, the Defrost indicator will light up and the system will start a defrost cycle. If the Defrost indicator is blinking, this indicates that you should put the machine through a cleaning cycle. Press and hold the Clean button for 3 seconds to start.

#### Ice Jam

If you are having issues dispensing ice and there appears to be a jam, press the Power and Opal Dispense button at the same time. This will rotate the auger in the reverse direction and should break up any ice jammed in the chute.

#### **WARNING**

While initiating this process, please make sure to keep any fingers away from dispensing area. User could injure themselves if finger is caught in the rotating auger.



# Care and Cleaning

To keep nugget ice tasting fresh and ice maker performing properly, descaling/sanitizing is highly recommended. Descaling should be performed every 2-3 weeks, depending on the hardness of water used and frequency of ice making, while sanitizing is recommended to do once per week. If using tap water, cleaning schedule may need to be adjusted based on hardness of water. Harder water may require more frequent descaling or switching to distilled water is suggested. To clean the exterior of the ice maker, unplug the product, then use a soft cloth dampened with soapy water to gently clean the exterior surfaces. Dry with a soft cloth. Do not use soap to clean the reservoir. Use a soft cloth moistened with water.

**⚠ WARNING** Chemical Exposure Hazard, when cleaning with bleach, use bleach in a well ventilated area and avoid mixing bleach with other household cleaners.

**⚠ WARNING** Unplug the product before cleaning by hand, and when not in use.

## System Descaling / Sanitizing Procedure

To clean Opal's internal components, complete the following steps:

1. Dispense Opal of any existing ice before starting the cleaning process and then unplug Opal.
2. Remove water filter (if present), and replace with the reservoir's screened intake cap. If filter is not present, first remove the screen intake filter and rinse with water to clean out any debris that may have accumulated during ice making over time.
3. Drain Opal (see page 10 for detailed instructions).
4. If descaling, fill unit with white vinegar, or Opal Cleaning Kit solution, up to the Max Fill line. In order to sanitize, create a solution by filling the water to the Max Fill line and then adding one teaspoon of bleach.
5. Pour solution into water reservoir, up to the fill line shown.
6. Plug in Opal and hold the 'Clean' button for 3 seconds to initiate the cleaning process. See Figure 3.
7. Water will begin circulating and the 'Cleaning' indicator will light up on the left-hand side of the unit to confirm the unit is now in cleaning process. See Figure 4. After three minutes the water will stop and the 'Cleaning' indicator light will turn off and the line above 'Clean' will begin to pulse.

**NOTE:** If the dispenser is not interacted with for 5 minutes, pulsing stops and the dispenser exits the cleaning mode and enters Idle state.

**NOTE:** Do not use soap to clean the water reservoir.

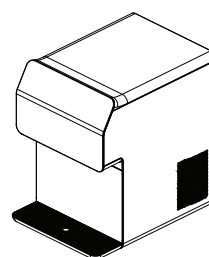


Figure 1

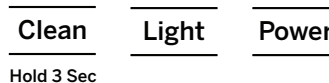
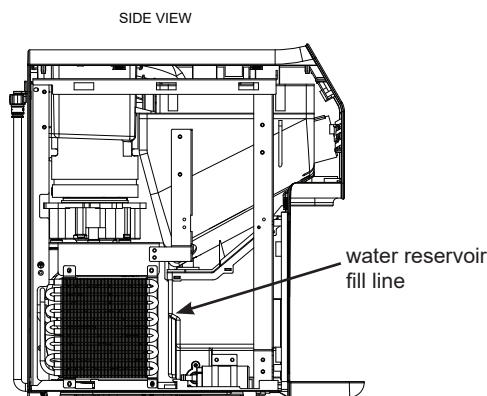


Figure 3

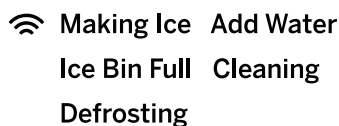


Figure 4

# Care and Cleaning

## System Descaling / Sanitizing Procedure (continued)

8. If descaling, run the clean cycle up to 3 times and then let unit sit for 18 hours and soak before draining. If sanitizing, once 'Cleaning' indicator turns off, promptly drain the Opal.

9. Unhook the top of the drain hoses at the back of the unit. Press the red rectangular button on the end of the hose and pull down to release from the hooks. See Figure 5.

10. Then lay them down to drain into a sink or bucket that is below the level of the ice maker. See Figures 6 and 7.

11. Once water stops flowing, re-insert the drain plugs.

12. To rinse: add fresh water to the water reservoir, and press the 'Clean' button to initiate a second cleaning cycle. Drain the unit completely.

13. Repeat step 12 two more times, adding fresh water to the reservoir each time (you may continue to repeat the rinse cycle, for as many times as you like). To exit cleaning mode at any time, press and hold 'Clean' button for three seconds.

14. Replace drain tubes on back. See Figure 8.

15. When complete, fill unit with fresh water and press the 'Power' button to start making ice. See Figure 9.

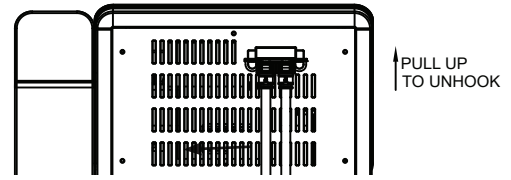


Figure 5

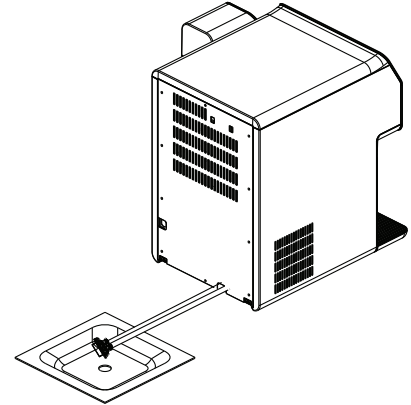


Figure 6

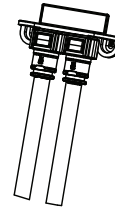


Figure 7

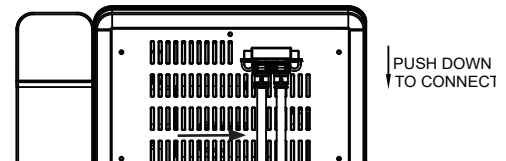


Figure 8

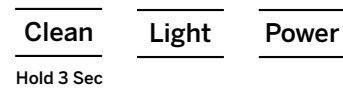


Figure 9

# Care and Cleaning

---

## Cleaning the Drip Tray

The drip tray should be wiped dry. Water left in this area may leave deposits. To clean the drip tray, remove the tray from Opal and use a soft cloth dampened with mild soapy water to gently clean the surface. Dry with a soft cloth. **Do not use solvents or chemicals.**

# Side Tank Accessory

**▲ WARNING** To reduce the risk of electrical shock or injury when using your Opal, follow these basic safety precautions:

- Unplug the product before cleaning by hand and when not in use.
- Do not use with water that is microbiologically unsafe or of unknown quality.
- Use caution when filling and installing Opal Side Tank, as filled unit may be heavy.
- Do not use this side tank for any liquid other than water.
- Children should not fill or install Opal Side Tank, as filled unit may be heavy.
- Side tank should be assembled to ice maker per installation instructions. Installing side tank in a different manner may result in overturning risk.
- Make sure that Opal Nugget Ice Maker Dispenser is unplugged when draining reservoir and installing Opal Side Tank.
- Ensure that Opal Side Tank is installed on a level surface that will be stable even when Opal Side Tank is full.
- Make sure the cap of the Side Tank remains clean during filling and operation. Hands should be washed and clean prior to opening and closing the cap.

**NOTE:** There are two drain tubes located on the back of your Opal Nugget Ice Maker Dispenser.

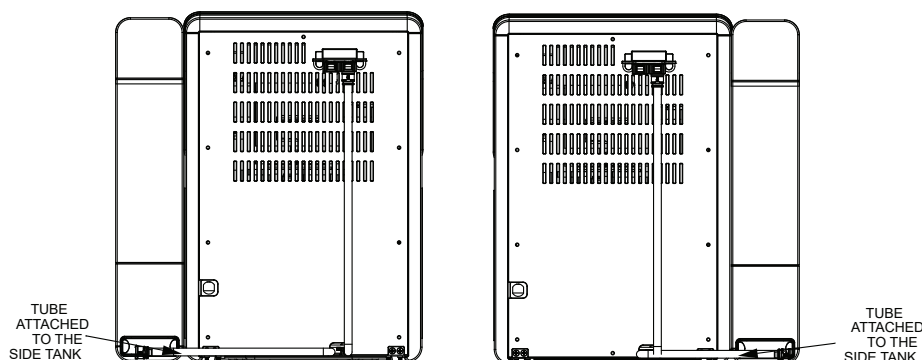
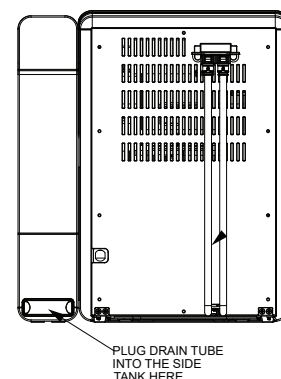
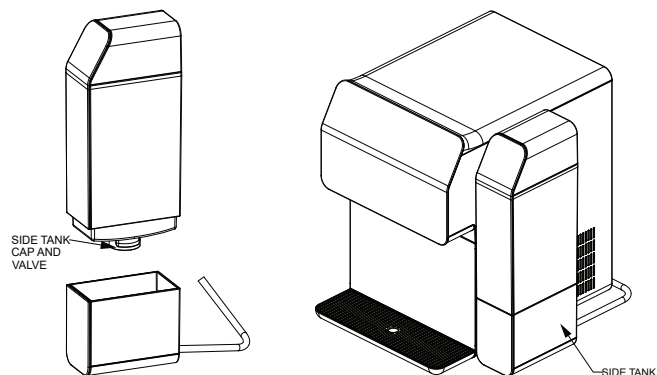
1. Pull out the drain tube located on the back of the unit to the fullest extent to ensure water will flow easily.
2. Hand Wash Only: Rinse and hand wash Opal Side Tank with warm water and a mild dish soap. Remove Opal Side Tank's cap and wash the cap and rubber valve with water and a mild dish soap. The Side Tank base can be washed by disconnecting the hose and adding a small amount of soapy water to it. Scrub as needed and rinse thoroughly. The rinse water should drain out the port in the back.

Rinse the cap, rubber valve, tank and the base well to remove any residual soap (see illustration).

**DO NOT WASH THE SIDE TANK IN THE DISHWASHER.**

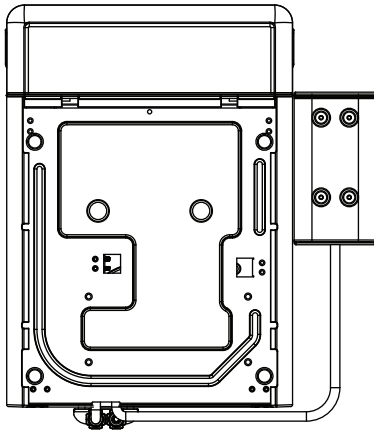
3. Unplug Opal Nugget Ice Maker Dispenser. Unhook Opal's drain tubes and drain the water from the reservoir.
4. Connect drain tube, labeled Side Tank, to the back of Opal Side Tank's base.
5. Install remaining drain tube and hanger onto the back of the Opal for storage.
6. Make sure drain tube connecting to the Side Tank is resting flat on the countertop.
7. Place Opal Side Tank on the right or left-hand side of the Opal Nugget Ice Maker Dispenser. Place the Opal Side Tank against the ice maker so that the Side Tank magnets attach to the ice maker.

**NOTE:** Care should be taken to connect the correct tube to the Opal Side Tank. Tube should always be connected to the Side Tank whether it is installed on the left or right side of the Opal Nugget Ice Maker Dispenser. It is important to make sure the tube is lying flat, otherwise water may not flow from the side tank into the ice maker.

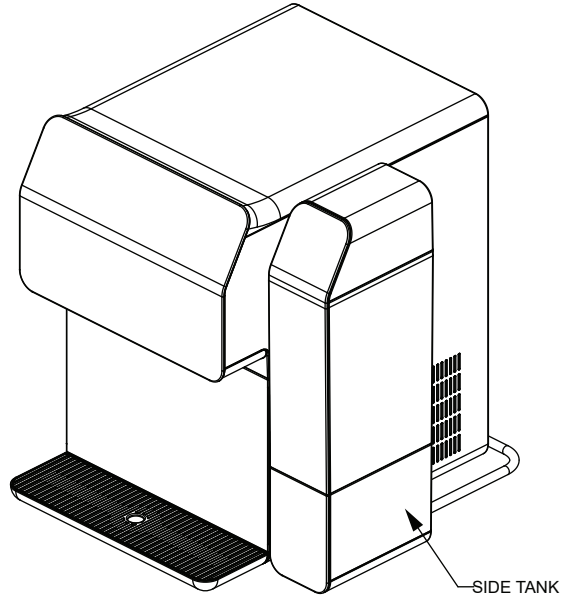


## Side Tank Accessory

8. Remove Opal Side Tank's reservoir from its base.
9. Unscrew Opal Side Tank's cap from the reservoir. Fill the clear reservoir with water.
10. Replace Opal Side Tank's cap. Ensure the cap is clean when installing.
11. Carefully flip over Opal Side Tank's reservoir and place in the base. Water should start flowing into the Opal Nugget Ice Maker Dispenser and bubbles in the Opal Side Tank will appear periodically during the time water is flowing to the ice maker.



BOTTOM VIEW



**NOTE:** If water does not appear to flow into the ice maker, please check for the following:

- There may be bubbles in the Side Tank Tube connecting the Side Tank to the Opal.
- Side Tank Tube is not lying flat.

If either of the above issues are present, adjust side tank tube to allow the water to flow.

12. Fill Opal Nugget Ice Maker Dispenser's lower water reservoir, if desired. Water will flow from side tank but will have a slow start as it needs time to fill up water reservoir before ice making can begin.
13. Plug in Opal Nugget Ice Maker Dispenser, and begin making ice.

### Proper Installation and Location

The side tank should be installed flush to the front of the Opal Nugget Ice Maker Dispenser. Opal Side Tank needs to sit on the same level surface as your Opal Nugget Ice Maker Dispenser. Do not elevate Opal Side Tank, or your Opal may overflow.

### To Remove Mineral Deposits:

Mix two quarts of water with two quarts of white vinegar, OR use the Opal Cleaning Kit.

Clean any visible mineral buildup or deposits with this solution. If deposits are present in the tank, fill the tank with this solution and let soak. Be sure to drain and rinse the tank thoroughly after cleaning. Stubborn deposits may require more than one treatment.

## Normal Operating Sounds

---

Your new ice maker may make sounds that are not familiar. Most of these sounds are normal. Hard surfaces like the floor, walls, and countertops can amplify these sounds. The following describes the sounds that may be new to you and what may be creating them.

- WHIR - When Opal is first turned on, you may notice the condenser fan spinning.
- BUZZ - When the water pump first turns on, it may be dry and slightly noisy. Once it is filled with water, the noise reduces significantly.
- RATTLE - Rattling noises may be produced from the flow of the refrigerant. These noises should reduce significantly once the refrigerant system has stabilized.
- GURGLE - When the refrigerant system shuts off, there may be a brief gurgle as the refrigerant stops flowing.
- HUM - The compressor is a motor. It produces a low toned humming sound while it is running.
- CLICK - As nugget ice is produced, it drops into the ice bin. The first nuggets produced are the loudest, as they impact the bottom of the ice bin. As the bin fills, this noise reduces significantly.
- SQUEAK – When Opal is in need of defrosting, it may start to squeak as ice starts to build up around the mechanisms. The defrost cycle is automatic, and may take 10-20 minutes. During this time, the front button won't respond. More frequent squeaking usually requires white vinegar cleaning to remove internal mineral scale buildup.

## Radio Frequency Interference

---

This product has been tested and found to comply with the limits set forth in Title 47 CFR Part 15 - Radio Frequency Devices. Operation is subject to the following conditions: (1) This device may not cause harmful interference, and (2) this device must accept any interference received, including interference that may cause undesired operation. This product generates, uses, and can radiate radio frequency energy, and if not used in accordance with the instructions, may cause harmful interference to radio communications. If this product does cause harmful interference to radio or television reception, which can be determined by unplugging Opal, the user is encouraged to try to correct the interference by one or more of the following measures:

- Reorient or relocate the TV or radio antennas.
  - Increase the distance between the product and TV or radio.
  - Plug Opal into a separate outlet from a radio or TV.
- The transmitter must not be co-located or operating in conjunction with other antennas or transmitters.

# Troubleshooting

Problem	Solution
Ice is jammed in the chute.	Press and hold Power and Opal Dispense buttons simultaneously. This will trigger the Opal's auger to rotate counterclockwise for as long as the buttons are held. Release buttons after jam is cleared and dispense as normal.
Water not flowing from side tank.	There may be bubbles in the tube connecting the side tank to the Opal if the tube is not lying flat. Try adjusting the tube to allow the water to flow. Once water line is cleared, water should start flowing and should not need further adjusting. If this does not work, pick up the side tank out of the base and then place back in the base. This should clear any air that is trapped.
Ice maker says Ice Bin Full but not a lot of ice dispensed.	The ice maker is set up to save energy and wear and tear on components when not in use. If you do not interact with machine by dispensing ice for 8 hours, the machine will not run. After 8 hours the machine will start back up again until it reaches the Ice Bin Full state. For best ice results, use the SmartHQ Opal Ice Maker Dispenser app to schedule when you want fresh ice.
My machine is off but I want to dispense ice.	As long the Opal Nugget Ice Maker Dispenser is plugged in, the Dispense button will work. If you have turned the machine off to reduce noise but you know there is ice in the bin, the dispenser will still dispense fresh ice when the button is pressed.
Ice seems slushy and not freshly made.	The ice maker is set up to save energy and wear and tear on components when not in use. If you do not interact with machine by dispensing ice for 8 hours, the machine will not run. After 8 hours the machine will start back up again until it reaches Ice Bin Full state. For best ice results, use the SmartHQ Opal Ice Maker Dispenser app to schedule when you want fresh ice.
Unit is showing Add Water alert but there is plenty of water	Follow the descaling instructions starting on page 9, soak unit for 18 hours and then run through full rinse cycle.

## Ice Maker Product Specifications

Description of product	Portable nugget ice dispenser
Model	P4INDOS6RBB
Voltage/Frequency	120V AC/60Hz
Current	2.5 A
Ice storage capacity	1.8 lbs
Ice making rate	24 lbs per day / 1 lb per hour*
Dimensions (width x depth x height)	15.9 x 16.9 x 17.8
Installation clearance (sides and back)	3 in
Operating environment	55°F - 90°F
Weight (when empty)	43 lbs

**NOTE:** Technical data and performance information provided for reference only.

Specifications are subject to change. Check the rating label on your ice maker for the most accurate information.

\*The actual quantity of ice produced will vary with environmental conditions.

### Note: Products containing refrigerants

This product contains a refrigerant, which under Federal Law must be removed prior to product disposal. If you are disposing this, or any refrigeration product, check with your local waste company for guidance.

# GE Appliances Ice Maker Limited Warranty

## GEAppliances.com

Please have your serial number and your model number available when calling for service. Call 1.866.907.6718 for service questions.

For the Period of:	GE Appliances Covers
<b>One Year</b> From the date of the original purchase	If the ice machine fails due to a defect in materials or workmanship, during the <b>limited one-year warranty</b> , GE Appliances will either replace your product with a new or remanufactured product, or refund the purchase price of the product at GE Appliances sole discretion.

### What GE Appliances Will Not Cover:

- Service trips to your home.
- Improper installation, delivery or maintenance.
- Failure of the product if it is abused, misused, or used for other than the intended purpose or used commercially.
- Replacement of house fuses or resetting of circuit breakers.
- Damage caused after delivery.
- Replacement of the light bulbs, if included.
- Damage to the product caused by accident, fire, floods or acts of God.
- Incidental or consequential damage caused by possible defects with this appliance.
- Software bugs that can be corrected with an update via the SmartHQ App
- Labor and other charges to install and/or remove the product

### EXCLUSION OF IMPLIED WARRANTIES

Your sole and exclusive remedies are product exchange or refund as provided in this Limited Warranty. Any implied warranties, including the implied warranties of merchantability or fitness for a particular purpose, are limited to one year or the shortest period allowed by law.

**For sale in the 50 United States and the District of Columbia only:** For US Customers: This limited warranty is extended to the original purchaser for products purchased for home use within the USA. Some states do not allow the exclusion or limitation of incidental or consequential damages. This warranty gives you specific legal rights, and you may also have other rights which vary from state to state. To know what your legal rights are, consult your local or state consumer affairs office or your state's Attorney General.

**Warrantor: GE Appliances, a Haier company**  
**Louisville, KY 40225**

**For Customers in Canada:** This limited warranty is extended to the original purchaser and any succeeding owner for products purchased in Canada for home use within Canada. In-home warrant service will be provided in areas where it is available and deemed reasonable by Mabe to provide. For extended warranty information, visit [geappliances.ca/purchase-extended-warranty](http://geappliances.ca/purchase-extended-warranty)

**Warrantor Canada: MC Commercial, Burlington, Ontario, L7R 5B6**

Staple your receipt here. Proof of the original purchase date is needed to obtain service under the warranty.



# Consumer Support

---

## Service and Registration

Register your new appliance on-line at your convenience! Timely product registration will allow for enhanced communication and prompt service under the terms of your warranty, should the need arise.

Register your appliance at **[GEAppliances.com/register](http://GEAppliances.com/register)**.

In Canada, **[service.geappliances.ca/servicio/en\\_CA/](http://service.geappliances.ca/servicio/en_CA/)**

---

## Contact Us

If you are not satisfied with the service you receive from GE Appliances, contact us on our Website with all the details including your phone number, or write to:

In the US: General Manager, Customer Relations | GE Appliances, Appliance Park | Louisville, KY 40225

**[GEAppliances.com/contact](http://GEAppliances.com/contact)**

In Canada: Director, Consumer Relations, Mabe Canada Inc. | Suite 310, 1 Factory Lane | Moncton, N.B. E1C 9M3

**[GEAppliances.ca/en/contact-us](http://GEAppliances.ca/en/contact-us)**

