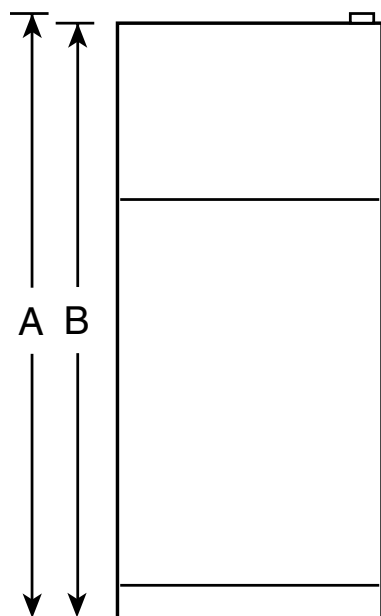


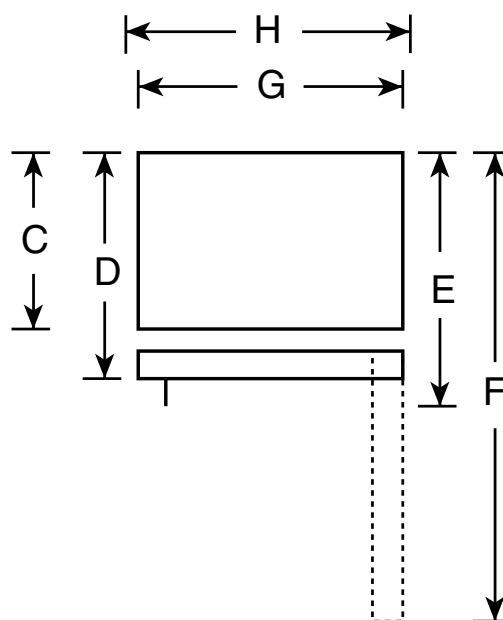
HOTPOINT®

HTM18IBP – Hotpoint® 18.0 Cu. Ft. Top-Freezer Refrigerator

Front View



Top View



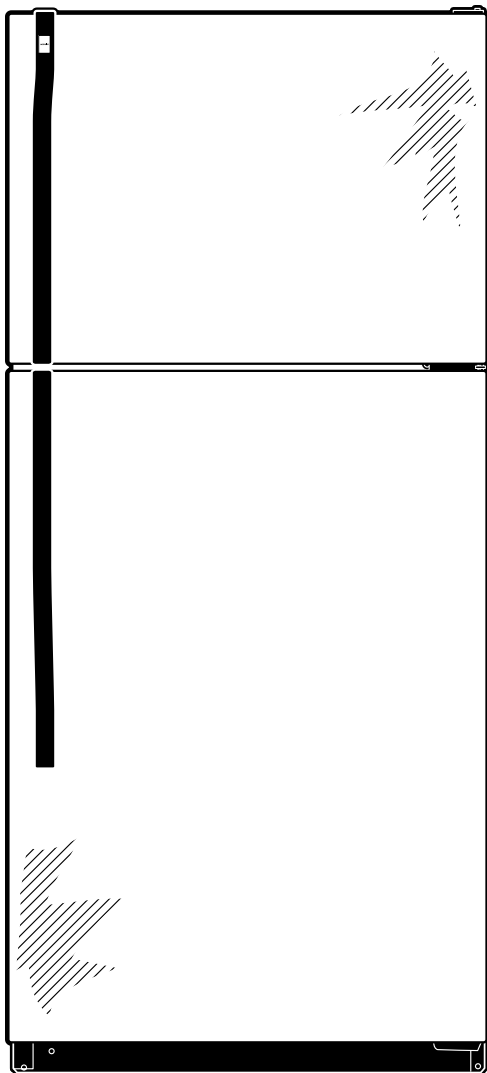
Overall Dimensions	Height to top of hinge (in.) A	66-5/8
	Height to top of case (in.) B	66-1/8
	Case depth without door (in.) C	27-1/2
	Case depth less door handle (in.) D	30-1/4
	Case depth with door handle (in.) E	32-1/8
	Depth with fresh food door open 90° (in.) F	58-1/8
	Width (in.) G	29-1/2
	Width with door open 90° with door handle (in.) H	32
Air Clearances	Each side (in.)	1/8
	Top (in.)	1
	Back (in.)	1

Note: Before installing, consult installation instructions packed with product for current dimensional data.



HOTPOINT®

HTM181BP – Hotpoint® 18.0 Cu. Ft. Top-Freezer Refrigerator



Features and Benefits

- Silver Metallic Exterior
- Illuminated Upfront Slimline Temperature Controls – Offer maximum style and convenience
- Adjustable Glass Shelves – Lets consumers maximize usable storage space
- Vegetable/Fruit Crispers – For easy storage of your fruits and vegetables
- Gallon Door Storage – Makes room for milk and any other gallon size containers
- Rounded Doors – Offers the signature rounded look that's seen in today's freshest kitchens
- NeverClean™ Condenser – Condenser coils are encased, so they don't require cleaning in normal operating environments
- Deluxe Quiet Design – Significantly reduces operating noise
- Model HTM181BPSA – Silver metallic



Specification Revised 6/07

410328