

GLD6300LWW/CC/BB

GE® Tall Tub Built-In Dishwasher

Dimensions and Installation Information (in inches)

Electrical Rating

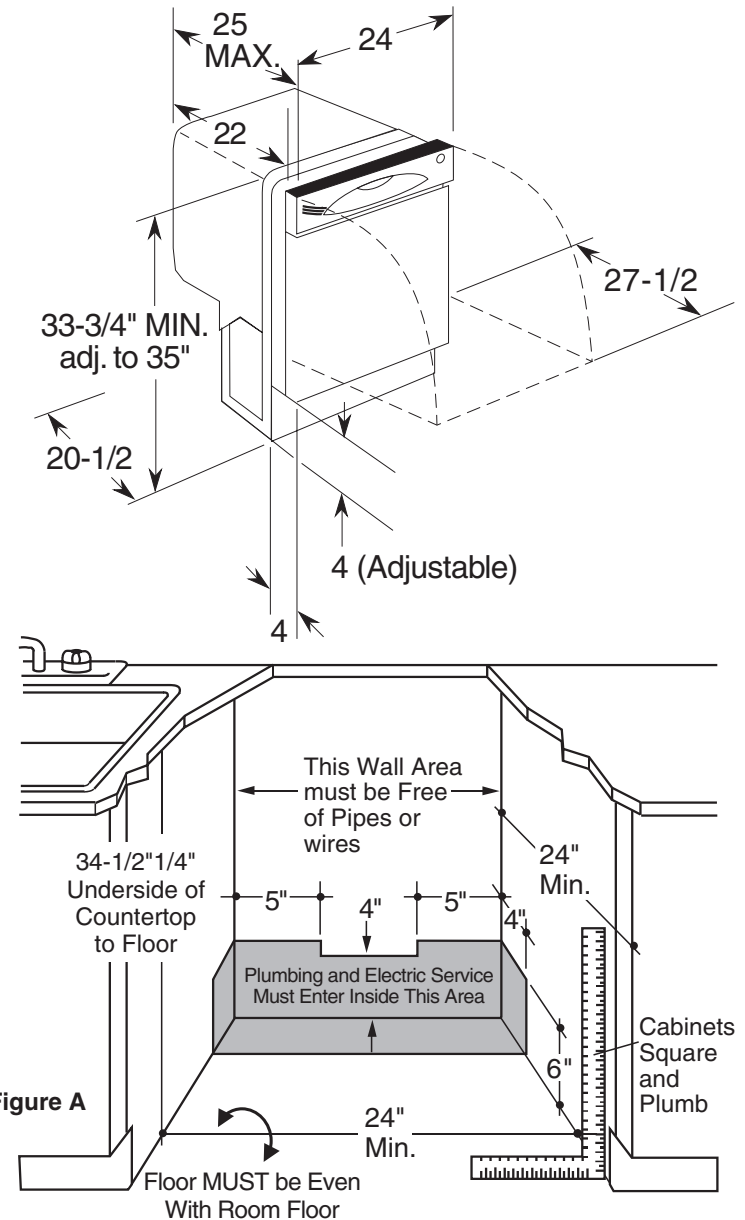
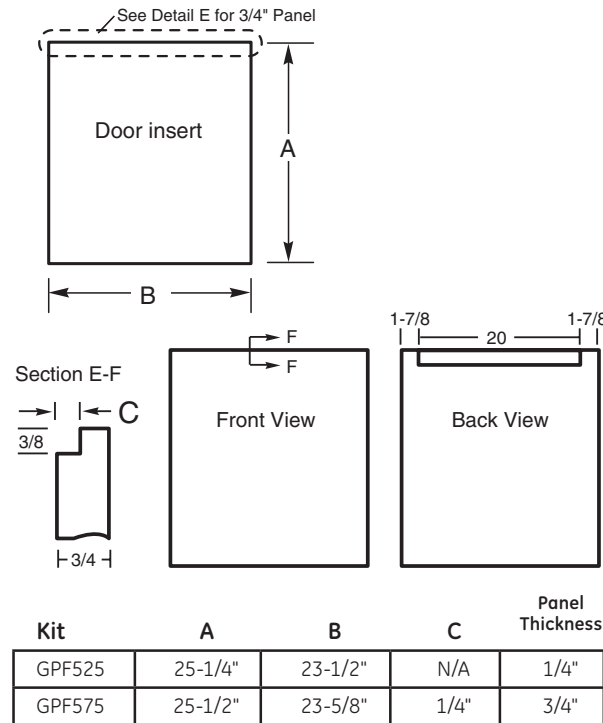
| | |
|------------------------------------|-----|
| Voltage AC..... | 120 |
| Hertz..... | 60 |
| Total connected load amperage..... | 10 |
| Calrod® heater watts max..... | 875 |

For use on adequately wired 120-volt, 15-amp circuit having 2-wire service with a separate ground wire. This appliance must be grounded for safe operation.

Note: The rough cabinet opening must be at least 24" deep, 24" wide and approximately 34-1/2" high from floor to underside of the countertop. Dishwasher must not be installed more than 10 feet from sink for proper drainage. All plumbing and electrical work must be in accordance with local codes. The power cord and connections must comply with the National Electrical Code Section 422 and/or local codes and ordinances. The cord must be no longer than 6 ft. from the junction box to the receptacle.

Installation Information: Before installing, consult installation instructions packed with product for current dimensional data.

For answers to your Monogram®, GE Profile™ or GE® appliance questions, visit our website at ge.com or call GE Answer Center® service, 800.626.2000.



Listed by Underwriters Laboratories



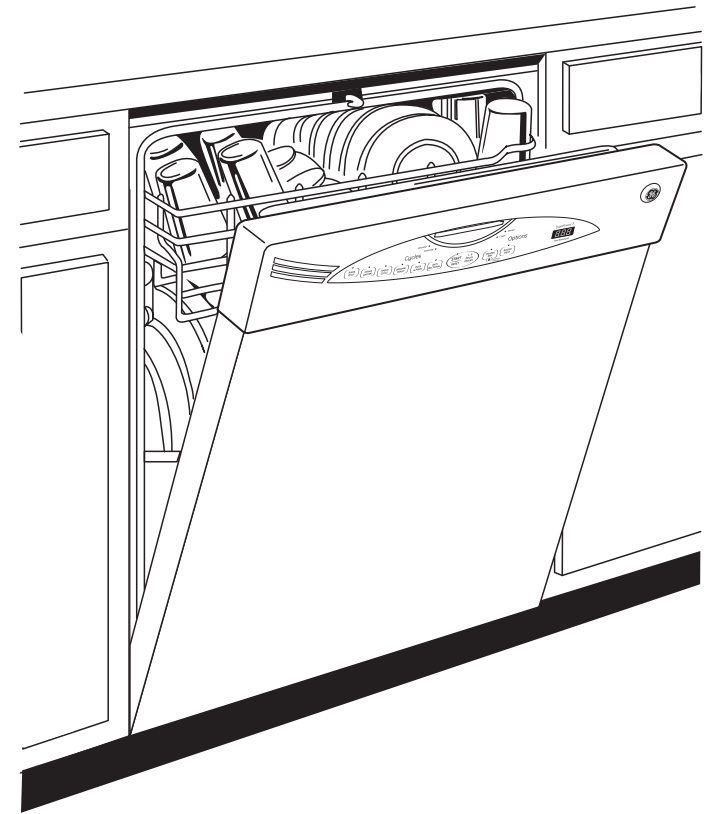
As an ENERGY STAR® partner, GE has determined that this product meets the ENERGY STAR guidelines for energy efficiency.

GLD6300LWW/CC/BB

GE® Tall Tub Built-In Dishwasher

Features and Benefits

- Giant Tub with Maximum Capacity Duron™ Racking - Washes even the largest cookware in durable, polymer-coated racks guaranteed to hold up to heavy use with a 5-year limited warranty (see warranty for details)
- Two Utility Shelves in Tiered Upper Rack with StemSafe™, Silver - Provide extra room for small items and an extra layer of security for washing delicate stemware
- Maximum Capacity 3-Piece Silverware Basket with 3 Cell Covers and ExtraBasket™ - Provides the ultimate flexibility, keeping silverware and small items separate; allows the baskets to be placed in either the upper or lower rack
- 6-Level BrilliantClean™ Wash System with CleanSensor™ - Scrubs dishes clean with 3 full-sized wash arms, 6 levels of wash action and a sensor that continually monitors and adjusts the wash cycle for a superior clean
- Light-Touch Electronic Controls with 6 Cycles/3 Options - Require only a gentle touch to start your preferred cycle and wipe clean easily
- Countdown display with 1-9 hour Delay Start - Signals remaining cycle time and makes it easier than ever to wash dishes at any hour, taking advantage of reduced energy rates or washing dishes even when the family is asleep
- SpeedCycle™ - Cuts the length of the normal cycle in half, washing and drying lightly soiled dishes effectively in 45 minutes or less
- QuietPower™ 3 Sound Package - Dramatically reduces the sound of washing the dishes
- Model GLD6300LWW - White on white
- Model GLD6300LCC - Bisque on bisque
- Model GLD6300LBB - Black on black



imagination at work