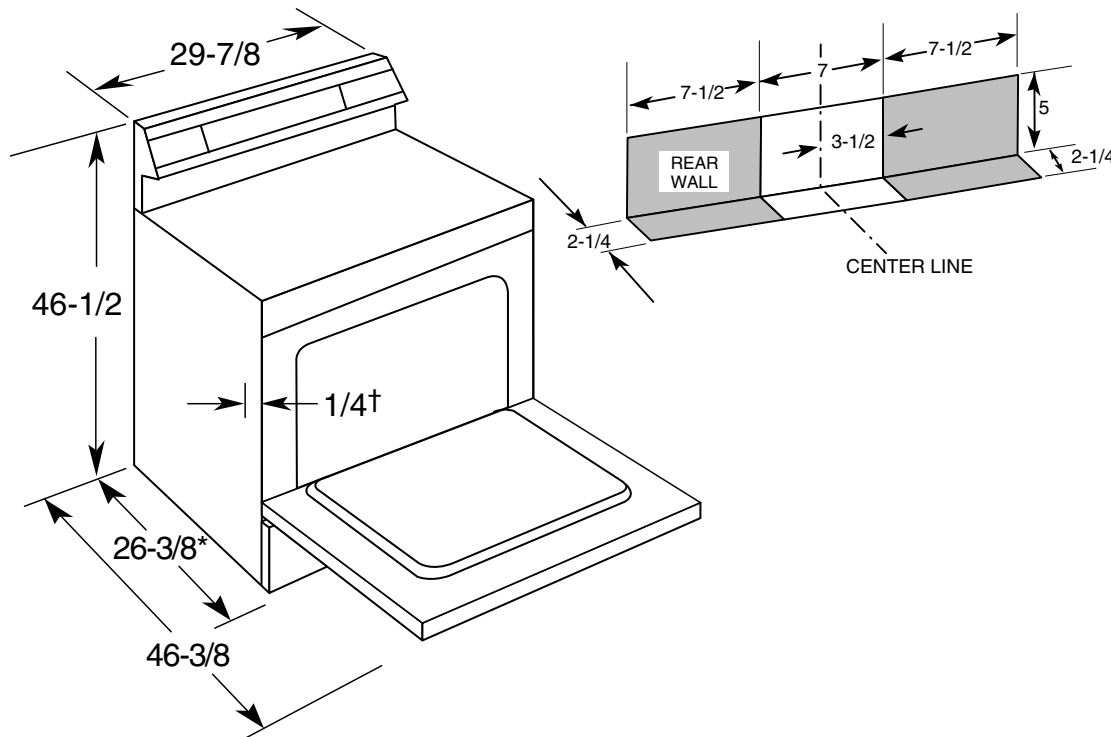


HOTPOINT

RB525CAD—Hotpoint 5.0 Cu. Ft. Free-Standing Electric Range

Dimensions (in inches)



*Dimensions from wall to front of closed oven door handle.
 †Dimensions from wall to front of closed oven door handle is 28".

†The range may be placed with a 0" clearance (flush) at the back walls if the range side trims extend beyond the cabinet fronts at least 1/4".
 Self-Clean models only.

Specification Revised 7/00

KW Rating	
240V	10.1
208V	8.0

Receptacle Locations: For 30" Free-Standing Ranges locally approved flexible service cord or conduit must be used because terminals are not accessible after range installation. See shaded area in drawing for location of electrical outlet box. Recommended outlet locations allow range to be installed directly against rear wall.

Note: 30" Ranges conform to U.L. requirements for 0" spacing from adjacent walls above countertops. However, some kitchen cabinet finishes can be damaged by heat from the range heating elements. It is recommended that a clearance of at least 1-1/2" be maintained to walls. Where varnished wood or plastic film finishes are used, a minimum clearance of 6" should be maintained.

Installation Information: Before installing, consult installation instructions packed with product for current dimensional data.



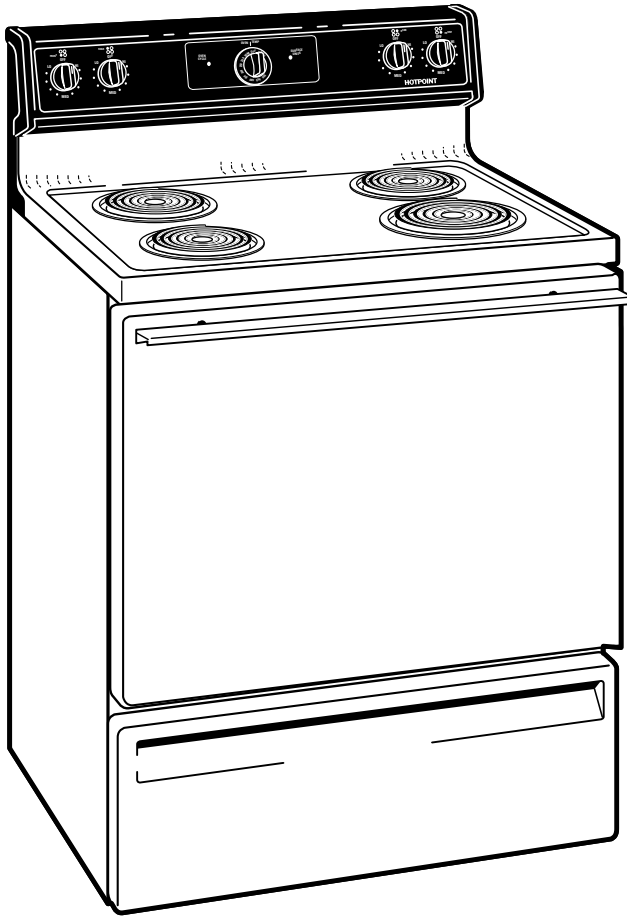
All GE ranges are equipped with an Anti-Tip device. The installation of this device is an important, required step in the installation of the range.



Listed by
 Underwriters
 Laboratories

HOTPOINT

RB525CAD—Hotpoint 5.0 Cu. Ft. Free-Standing Electric Range



Features and Benefits

- Super Large 5.0 Cu. Ft. Oven Capacity
- Upswept Porcelain-Enameled Cooktop
- One 8" and Three 6" Plug-In Calrod® Heating Elements
- Standard Clean Oven
- Chrome Removable One-Piece Drip Bowls
- 2 Oven Shelves
- Surface Element "On" Light
- Oven "On" Light
- Frameless Porcelain-Enameled Oven Door
- Visor Door Handle
- Color-Matched Storage Drawer
- Model RB525CWH - White
- Model RB525CAD - Almond