

PK700SF

Profile™ Series 27" Built-In Single Convection Wall Oven

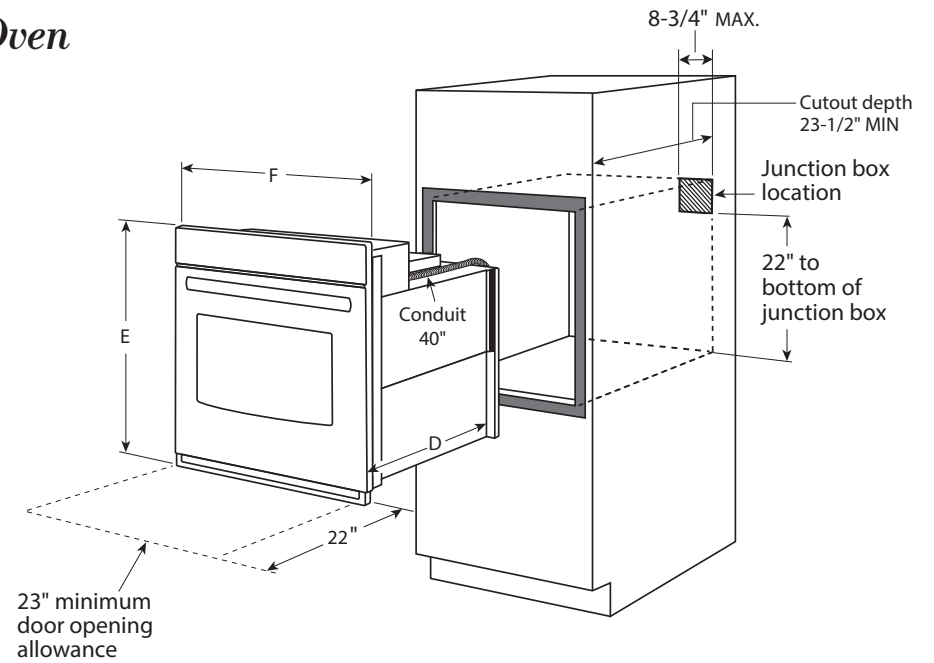
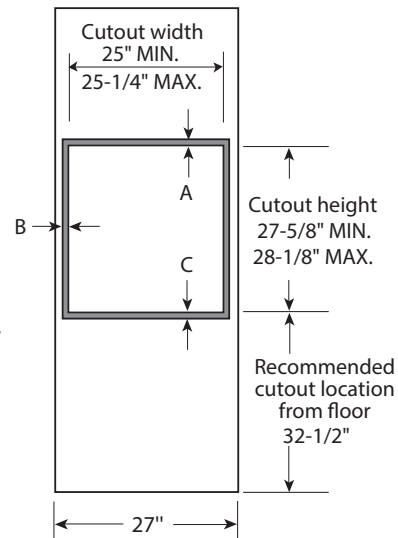
DIMENSIONS AND INSTALLATION INFORMATION (IN INCHES)

NOTE: These ovens are **NOT** approved for stackable or side-by-side installations.

NOTE: Cabinets installed adjacent to wall ovens must have an adhesion spec of at least a 194°F temperature rating. For 27" built-in single ovens, if marks, blemishes or the cutout opening is visible above the installed oven, it may be necessary to add wood shims under the runners and front trim until the marks or openings are covered.

NOTE: Door handle protrudes 3" from door face. Cabinets and drawers on adjacent 45° and 90° walls should be placed to avoid interference with the handle.

Electric wall ovens are not approved for installation with a plug and receptacle. They must be hard wired in accordance with installation instructions.



Dimension and installation information are shown in inches.

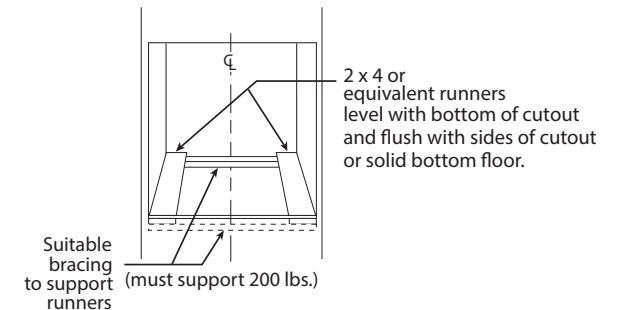
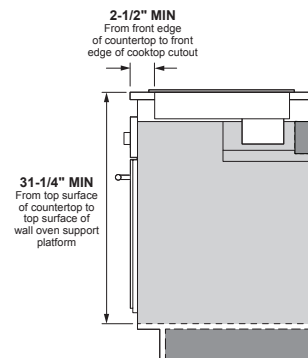
INSTALLATION INFORMATION:

Before installing, consult installation instructions packed with product for current dimensional data.

INSTALLATION BELOW A COOKTOP

KW RATING	
240V	3.6
208V	2.7
BREAKER SIZE	
240V	20 Amps
208V	20 Amps

PK7000		
Cabinet		27"
A – Overlap of oven at top of cutout		1"
B – Overlap of oven over side of edges of cutout		1"
C – Overlap of oven at bottom of cutout		1"
Oven		
D – Install depth		23-1/2"
E – Overall height with trim		28-7/8"
F – Overall width		26-3/4"



For answers to your Monogram, GE Café™ Series, GE Profile™ Series or GE Appliances product questions, visit our website at geappliances.com or call GE Answer Center® Service, 800.626.2000.



PK7000SF

Profile™ Series 27" Built-In Single Convection Wall Oven

UNDERCOUNTER DIMENSIONS AND INSTALLATION INFORMATION

NOTE: 36" ribbon cooktops are approved for use over GE 30" single wall ovens and warming drawers. 30" ribbon cooktops are approved for use over GE 30" and GE 27" single wall ovens and warming drawers. Refer to cooktop and wall oven installation information packed with products for current dimensional data.

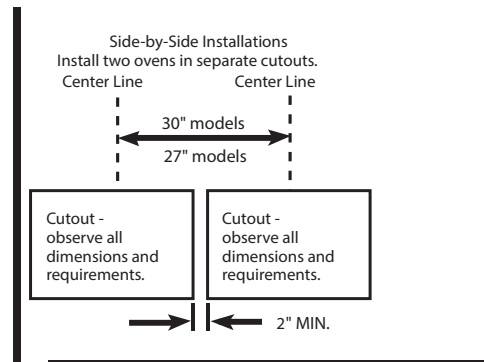
NOTE: Oven is rated for use only under GE 30" standard or sealed burner gas and selected GE 30" smoothtop and Calrod® electric cooktops.

INSTALLATION INFORMATION:

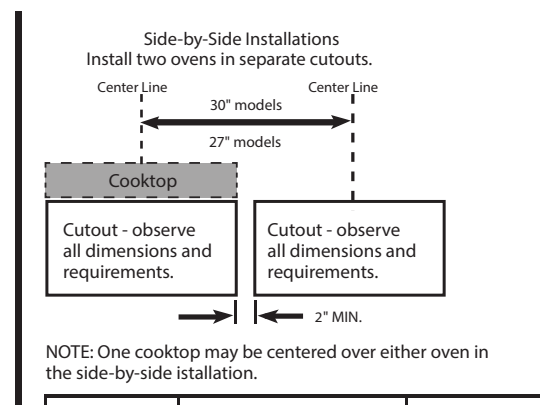
Before installing, consult installation instructions packed with product for current dimensional data.

ELECTRIC WALL OVENS ARE NOT APPROVED FOR INSTALLATION WITH A PLUG AND RECEPTACLE. THEY MUST BE HARD WIRED IN ACCORDANCE WITH INSTALLATION INSTRUCTIONS.

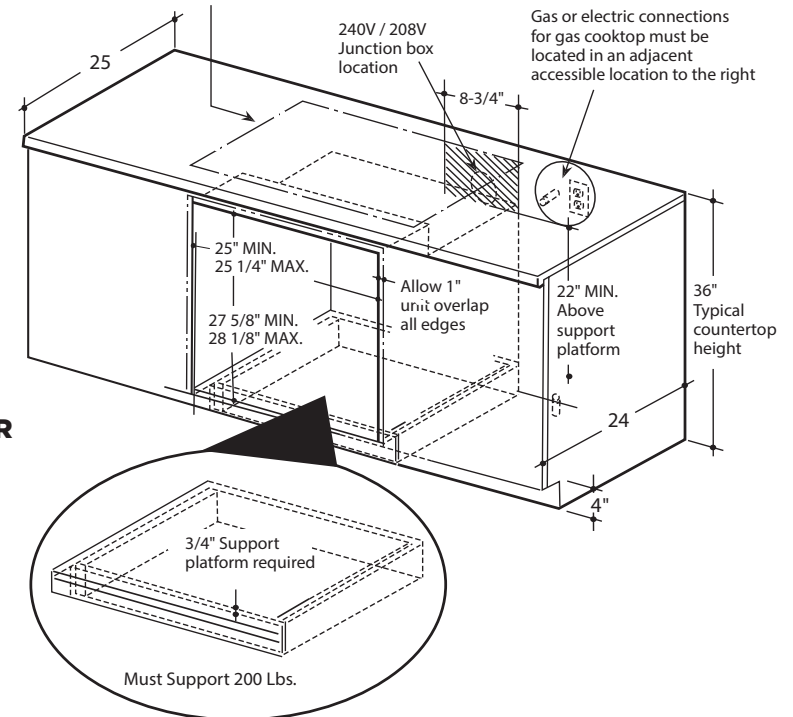
SIDE BY SIDE SINGLE OVENS



SIDE BY SIDE SINGLE OVENS UNDER COOKTOP AND COUNTER



Gas or electric cooktops may be installed over this oven. See cooktop installation instructions for cutout size. See label on top of oven for approved cooktop models.



Dimension and installation information are shown in inches.



For answers to your Monogram, GE Café™ Series, GE Profile™ Series or GE Appliances product questions, visit our website at geappliances.com or call GE Answer Center® Service, 800.626.2000.



Specification Revised 6/18

PK7000SF

Profile™ Series 27" Built-In Single Convection Wall Oven

FEATURES AND BENEFITS

True European Convection – Achieve delicious results from a third heating element and fan combination

Wifi Connect – Wirelessly control oven functions from your smartphone

Ten-pass bake element – Even baking is assured with heat that covers more surface area

Eight-pass broil element – Get full broil coverage and even browning from edge to edge

Self-clean heavy-duty roller rack – Easily access items with racks that glide smoothly

Halogen interior oven lighting – Easily see how your food is baking

Self-clean with steam clean option – Clean your oven the way you want

Glass touch controls – Set temperatures quickly and clean with little effort

4.3 cu. ft. oven capacity – Cook more dishes at once

Black gloss oven interior – Enjoy a clean and sleek appearance

Model PK7000SFSS – Stainless steel

