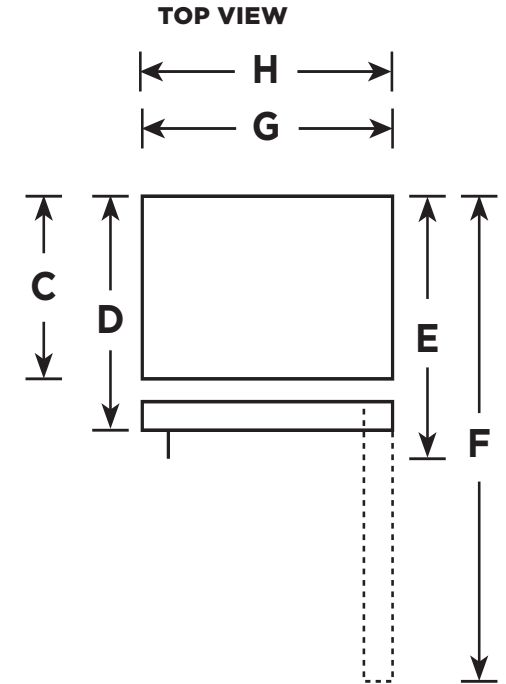
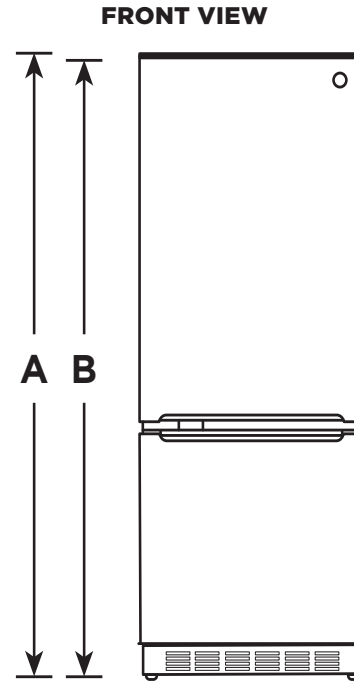


# PBV10RSTSS

GE Profile™ 10.0 Cu. Ft. 12V DC Bottom Freezer

## DIMENSIONS AND INSTALLATION INFORMATION (IN INCHES)

<b>OVERALL DIMENSIONS</b>	Height to top of hinge cover (in.) A	<b>59-1/2</b>
	Height to top of case (in.) B	<b>58-4/5</b>
	Case depth without door (in.) C	<b>23-1/2</b>
	Case depth less door handle (in.) D	<b>26-1/2</b>
	Case depth with door handle (in.) E	<b>26-1/2</b>
	Depth with fresh food door open 90° (in.) F	<b>48</b>
	Width (in.) G	<b>23-1/2</b>
	Width with door open 90° with door handle (in.) H	<b>24-1/2</b>
<b>AIR CLEARANCES</b>	Each side (in.)	<b>0</b>
	Top (in.)	<b>0</b>
	Back (in.)	<b>0</b>



For answers to your Monogram, GE Café™, GE Profile™ or GE Appliances product questions, visit our website at [geappliances.com](http://geappliances.com) or call GE Answer Center® Service, 800.626.2000.



This product is listed by CSA

Specification Revised 03/23

# PBV10RSTSS

## GE Profile™ 10.0 Cu. Ft. 12V DC Bottom Freezer

### FEATURES AND BENEFITS

**12V DC Power** – Designed specifically for use in RVs, this innovative 12V DC bottom freezer RV refrigerator is compatible with both battery and solar power.

**Modern 12V DC Bottom Freezer Design** – Enjoy this 12V DC bottom freezer RV refrigerator that offers a residential appearance with cutting-edge fresh food storage that is easy to access even when RV slide-outs are retracted.

**10 Cu. Ft. 12V DC Refrigerator** – Revel in plenty of extra space in this maximized design. Three full-width glass shelves provide a flexible solution in this 10-cubic-foot refrigerator with bottom freezer.

**Energy Saving Defrost** – Semi-automatic defrost technology allows for improved battery performance and energy savings when compared to traditional RV freezer defrost cycles.

**Convenient Refrigerator Organization** – This inventive 12V DC bottom freezer design includes glass refrigerator shelves, clear door bins and clear crisper drawers for optimized organization and clear visibility.

**Easy Refrigerator Installation** – 12V DC refrigerator installation has never been easier thanks to a unique design that requires no external ventilation and zero clearance because of a bottom ventilation design.

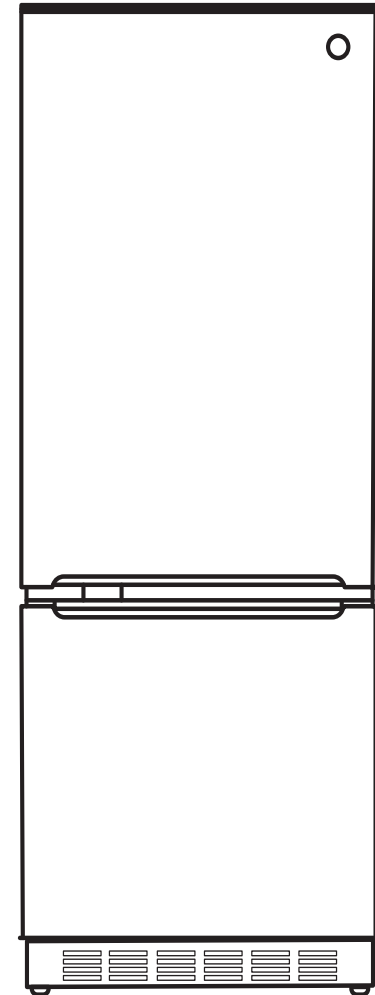
**LED Lighting** – Refrigerator LED lights fully illuminate the entire interior for advanced visibility of all your fresh foods.

**Clear Crisper Drawers** – Enjoy the freshest fruits and vegetables thanks to innovative crisper drawer that helps optimize food preservation.

**Integrated Refrigerator Latches** – Factory-installed door pocket handles offer an integrated design and function as refrigerator safety latches to keep doors securely closed when in motion.

**Reliable Cooling Performance** – Durability-tested compressor and interior fan for increased cooling performance and dependable operation.

**Power Management** – An easy-access refrigerator on/off switch makes it simple to turn off and manage power usage when the appliance is not in use.



Model PBV10RSTSS - Stainless Steel



Specification Revised 03/23