



WASHERS

SAFETY INSTRUCTIONS 3

USING THE WASHER

Getting Started 5

Loading 13

Appliance Communication 14

CARE AND CLEANING 15

INSTALLATION INSTRUCTIONS 17

TROUBLESHOOTING TIPS 22

LIMITED WARRANTY 25

CONSUMER SUPPORT 26

OWNER'S MANUAL & INSTALLATION INSTRUCTIONS

- PTW905
- PTW900
- PTW805
- PTW800
- PTW705
- PTW700
- PTW605
- PTW600

ENGLISH/FRANÇAIS/ESPAÑOL

Write the model and serial numbers here:

Model # _____

Serial # _____

You can find them under the lid of the washer.

GO35

THANK YOU FOR MAKING GE APPLIANCES A PART OF YOUR HOME.

Whether you grew up with GE Appliances, or this is your first, we're happy to have you in the family.

We take pride in the craftsmanship, innovation and design that goes into every GE Appliances product, and we think you will too. Among other things, registration of your appliance ensures that we can deliver important product information and warranty details when you need them.

Register your GE appliance now online. Helpful websites and phone numbers are available in the Consumer Support section of this Owner's Manual. You may also mail in the pre-printed registration card included in the packing material.



IMPORTANT SAFETY INFORMATION

READ ALL INSTRUCTIONS BEFORE USING THE APPLIANCE

▲ WARNING

To reduce the risk of death, fire, explosion, electric shock, or injury to persons when using your appliance, follow basic precautions, including the following:

- Read all instructions before using the appliance.
- Follow all fabric care instructions and warnings to prevent melting of garments or damage to the appliance.
- **DO NOT** wash or dry articles that have been previously cleaned in, washed in, soaked in or spotted with gasoline, dry-cleaning solvents, or other flammable or explosive substances, as they give off vapors that could ignite or explode.
- **DO NOT** add gasoline, dry-cleaning solvents, or other flammable or explosive substances to the wash water. These substances give off vapors that could ignite or explode.
- Under certain conditions, hydrogen gas may be produced in a hot-water system that has not been used for 2 weeks or more. **HYDROGEN GAS IS EXPLOSIVE.** If the hot water system has not been used for such a period, before using a washing machine, turn on all hot-water faucets and let the water flow from each for several minutes. This will release any accumulated hydrogen gas. As the gas is flammable, **DO NOT** smoke or use an open flame during this time.
- Risk of suffocation and injury from entrapment: **DO NOT** allow children to play on or in this appliance. Close supervision of children is necessary when this appliance is used near children. Before the washer is removed from service or discarded, remove the door or lid. Failure to follow these instructions may result in death or injury to persons.
- **DO NOT** reach into the appliance if the tub or agitator is moving to prevent accidental entanglement.
- For waterproof, water-resistant and bulky items, only use the **Bulky** (or **Delicates**) cycle. **DO NOT** use other cycles for these items. Using other cycles can cause excessive vibration and may result in injury or damage to the washer, walls, or floor. **DO NOT** mix waterproof and non-waterproof items.
- **DO NOT** install or store this appliance where it will be exposed to the weather.
- **DO NOT** tamper with controls, repair or replace any part of this appliance or attempt any servicing unless specifically recommended in the user maintenance instructions or in published user repair instructions that you understand and have the skills to carry out.
- **DO NOT** operate this appliance if it is damaged, malfunctioning, partially disassembled, or has missing or broken parts including a damaged cord or plug.
- **DO NOT** use replacement parts that have not been recommended by the manufacturer. (e.g. parts made at home using a 3D printer).
- Unplug the appliance or turn off the circuit breaker before servicing. Pressing the **Power** button **DOES NOT** disconnect power.
- See "ELECTRICAL REQUIREMENTS" located in the Installation Instructions for grounding instructions.

Proper Disposal of your Appliance

- Dispose of or recycle your appliance in accordance with Federal and Local Regulations. Contact your local authorities for the environmentally safe disposal or recycling of your appliance.

READ AND SAVE THESE INSTRUCTIONS

IMPORTANT SAFETY INFORMATION

READ ALL INSTRUCTIONS BEFORE USING THE APPLIANCE

PROPER INSTALLATION

This washer must be properly installed and located in accordance with the Installation Instructions before it is used.

- Ensure that the hot water hose is connected to the “H” valve and the cold water hose is connected to the “C” valve.
- Install or store where it will not be exposed to temperatures below freezing or exposed to the weather, which could cause permanent damage and invalidate the warranty.
- Properly ground washer to conform with all governing codes and ordinances. Follow details in the Installation Instructions.
- Ensure washer is properly leveled and washer legs are adjusted such that unit is stable.
- Optional drain hose extension recommended for discharging heights from 60” - 96”.
- GE Appliances strongly recommends the use of factory specified parts. A list of factory hoses available for purchase are listed. These hoses are manufactured and tested to meet GE Appliances specifications.
- GE Appliances strongly recommends the use of new water supply hoses. Hoses degrade over time and need to be replaced every 5 years to reduce the risk of hose failures and water damage.
- Consider recycling options for your appliance packaging material.

START-UP SEQUENCE

- Any time the washer is being started or restarts after the washer lid has been opened and closed, the washer will turn on the cold water valve or drain pump for two short periods followed by a 10 second pause before continuing. If the lid is opened during this period, the washer will pause. You will have to push the **Start** button again to restart the cycle.

AUTOMATIC DRAIN SEQUENCE

- Machine will automatically drain any time the lid is left open for more than 15 minutes and water is present.
- Machine will automatically drain if left in a paused state with the lid closed for more than 24 hours and water is present.
- While in WATER STATION mode, machine will automatically drain after changing the cycle knob to another cycle. On some models, this feature may only be available through the GE Appliances SmartHQ App.

WHEN NOT IN USE

- Turn off water faucets to minimize leakage if a break or rupture should occur. Check the condition of the fill hoses; GE Appliances recommends changing the hoses every 5 years.

PARTS AND ACCESSORIES

Order on-line at GEApplianceparts.com today, 24 hours a day or by phone at 800.626.2002 during normal business hours. In Canada, visit your local GE Appliances parts distributor or call 800.661.1616.

Part Number	Accessory
PM14X10002	4 ft rubber water supply hoses
Or	
PM14X10005	4 ft braided water supply hoses
WH49X301	Drain hose extension
PM7X2	Washer Floor Tray

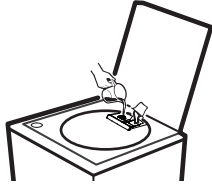
READ AND SAVE THESE INSTRUCTIONS

Getting started

⚠ WARNING To reduce the risk of fire, electric shock, or injury to persons, read the IMPORTANT SAFETY INSTRUCTIONS before operating this appliance.

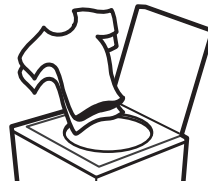
Throughout this manual, features and appearance may vary from your model.

Step 1



- Add fabric softener to the fabric softener dispenser.
IMPORTANT: For detergent use, see the specific dispenser section in this manual for your model.
- If using detergent packets, add to the Laundry Pack Dispenser compartment or add to the bottom of the wash basket before adding clothes. We recommend the use of High Efficiency laundry packs such as Tide PODS™ or Gain Flings™.

Step 2



- Loosely add items around agitator or Infusor. Overloading may negatively impact wash performance. See page 13 for suggested loading examples.
- If not using a dispenser, add the manufacturer's recommended amount of detergent to the top of the load after adding clothes. We recommend the use of High Efficiency detergents such as Tide in your energy efficient washer.

Step 3



- Close lid.
NOTE: Unit will not start with lid open except on Bulky cycle.
- Select wash cycle.
- Select wash options, including Deep Rinse option when using fabric softener.
- Select options.

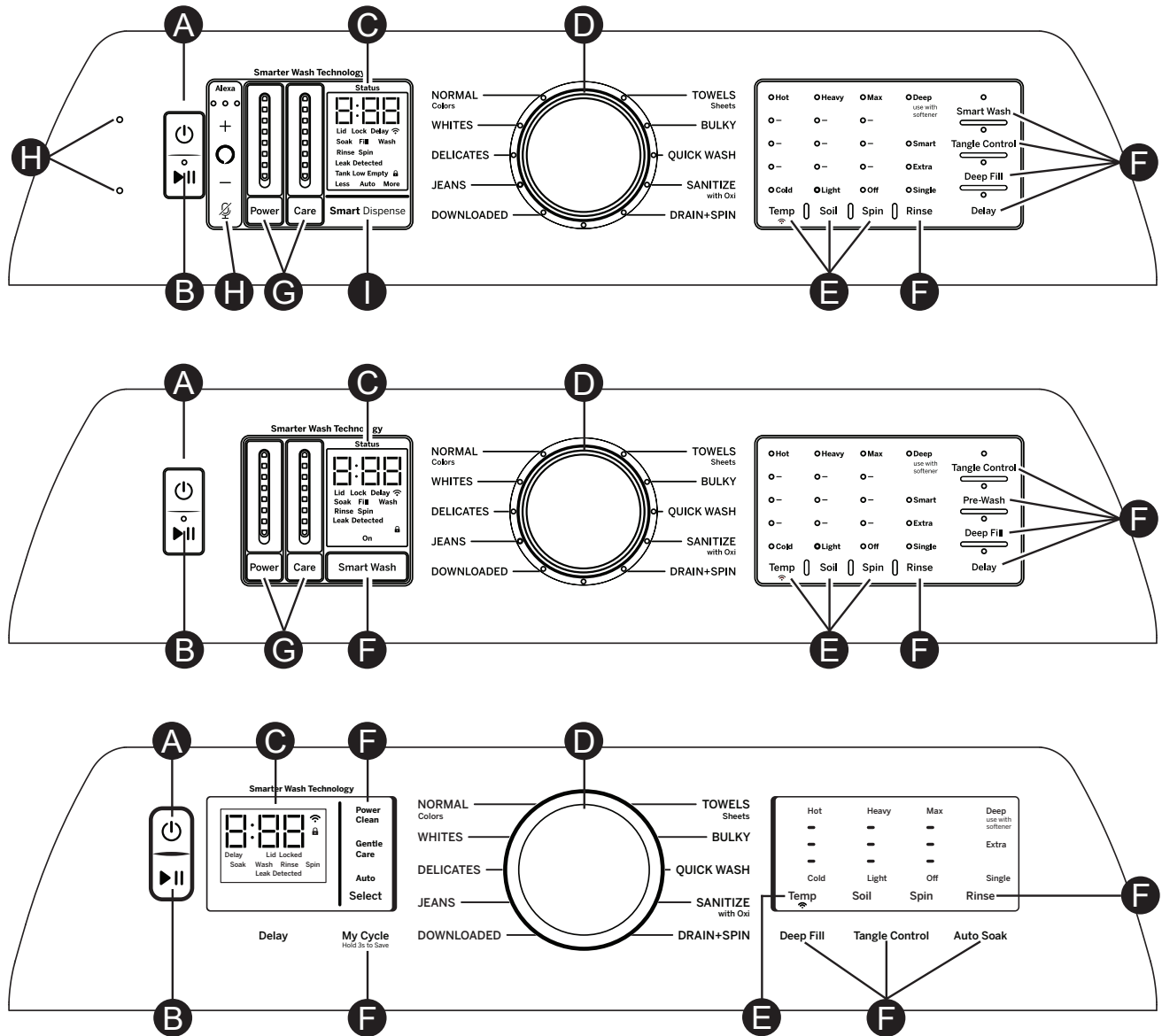
Step 4



- Press Start.

Getting started

Features and appearance will vary.



A Power

Press to “wake up” the display. If the display is active, press to put the washer into idle mode.
NOTE: Pressing **Power** does not disconnect the appliance from the power supply.

B Start/Pause

Press **Start** to begin the cycle. **NOTE:** Unless **Bulky** cycle is selected, the lid must be closed for the washer to start cycle. If the lid is open, “Lid” will scroll across the display. During the load sensing portion of the cycle, the lid will lock and “SENsing” will scroll across the display. When load sensing is complete, the lid will unlock.
 Pressing **Pause** will unlock the lid (if locked at that time), pause the cycle and the **Start** indicator light will blink.

To continue the cycle, press **Start** again. If water remains in the machine, select the **Drain & Spin** cycle to drain basket and spin water out of the washer basket. **NOTE:** Machine will automatically cancel and drain when water is present and the lid is left open for 15 minutes or the unit is left in a paused state for 24 hours with the lid closed. Select cycle and press **Start** to begin new cycle.

Getting started

Display and Status Lights

Display: The display shows the **approximate** time remaining until the end of the cycle. **NOTE:** The cycle time is affected by how long it takes the washer to fill. This depends on the water pressure in your home. The size of the load being washed also significantly impacts cycle time, with larger loads taking longer.

In addition, this display will, “scroll” the washer status:

- **bALAnCINg** Start of rebalancing cycle to redistribute clothes. Stops after rebalancing is complete.
- **dELAY** When **Delay Wash** is initiated. Replaced with estimated time when cycle starts.
- **End** End of current cycle.
- **FILL** “FILL” will scroll across the display during fill. Afterwards the estimated end of cycle time is displayed.
- **H2O SUPPLY** Can not sense water level (water supply possibly turned off).
- **Lid** Cycle stopped because lid is open. Close the lid and press the **Start** button if needed.
- **SEnSing** Sensing out-of-balance condition, waterproof items, or load size and type before and during fill (normal).
- **PAUSE** Cycle paused because the lid was opened during start up sequence or the **Start/Pause** button was pressed. Press **Start** button again to restart the cycle.

Cycle status lights: Shows whether the washer is in the **Pre-wash, Delay, Fill, Soak, Wash, Rinse** or **Spin** portion of the cycle. **NOTE:** Cycle status lights vary by model.

If an out-of-balance condition is detected by the washer, the **Spin** light will blink during the remaining portion of the cycle and will stay illuminated for a short time after cycle completion. When this occurs, the washer is taking actions to correct the out-of-balance condition and complete the cycle normally. In some cases, the washer may not be able to balance the load and spin up to full speed. If you notice the load is more wet than normal at the end of the cycle, redistribute the load evenly in the wash basket and run a **Drain & Spin** cycle.

Feature status lights indicate (see sections **F** and **G** for more details):

- || **Pause** - Will display when washer is paused between cycles.
- 🔒 **Controls** - The washer is locked - will blink once if you press any button or turn the cycle knob.
- 🔒 **Lid Lock** - The lid is locked. See the **Control Lock** description.
- 📶 **WiFi** (on some models) - Will display when washer is connected via WiFi. Will blink when you are attempting to connect your device to your home WiFi.
- Spin Stop** - Indicates wash basket is coasting to a stop following spin. Lid will not unlock until basket has fully come to a stop.

Consumer Help Indicator

Your washer is equipped with Consumer Help Indicator (CHI). CHI is our way to communicate a simple remedy for some situations that you can perform without the need to call for service. The chart below describes the helpful messages you may notice scrolling on your display when you return to start another load. These messages will provide simple remedies you can quickly perform.

Spin light blinking	If an out-of-balance condition is detected by the washer, the Spin light will blink during the remaining portion of the cycle and will stay illuminated for a short time after cycle completion. When this occurs, the washer is taking actions to correct the out-of-balance condition and complete the cycle normally. In some cases, the washer may not be able to balance the load and spin up to full speed. If you notice the load is more wet than normal at the end of the cycle, redistribute the load evenly in the wash basket and run a Drain & Spin cycle.
“ H2O SUPPLY ” (Water not entering washer)	Check your house water supply. Did you forget to turn on one or both supply valves after installation or coming back from vacation? As soon as the message starts to scroll, the washer will initiate a 4 minute lock-out period. The washer controls won’t respond/change during this time. After the 4 minutes, you can begin your cycle again. If you try to bypass the lock-out period by unplugging the washer, the 4 minute timer will start over again.
“ CAnCELEd ”	“CAnCELEd” may scroll on the display if the machine was paused for longer than 24 hours or if the machine has stopped itself before the cycle completed due to certain errors. As soon as the message starts to scroll, the washer will initiate a 4 minute lock-out period. The washer controls won’t respond/change during this time. After the 4 minute period, you can begin your cycle again. If you try to bypass the lock-out period by unplugging the washer, the 4 minute timer will start over again. If the problem persists, call GE Appliances at 800.GE.CARES (800.432.2737) for service.
“ Lid ”	“Lid” will be shown on display if 3 cycles have been started without opening the lid. The washer will not start another cycle until the lid is opened. Try opening, then closing the lid and starting a new cycle. If the problem persists, call GE Appliances at 800.GE.CARES (800.432.2737) for service.

Getting started

D Wash Cycles-Cycle Selector Knob

The wash cycle controls the type of washing process. The cycle selector knob can be turned in either direction. Turning the knob after starting a cycle will stop the washer and change the cycle/options to the new selection. Press **Start** to begin the new cycle selection.

The chart below will help you match the items to be washed with the best wash cycle settings. For optimal performance, select the cycle that most closely matches the items being washed.

Selections and options shown in **bold** are the recommended settings for that cycle.

Some cycles and options may not be available on some models.

Downloaded

Use with the SmartHQ App to download additional cycles to your washer. Defaults to Active Wear cycle (see cycle table below).

Items to Wash	Cycle	Wash Temp	Soil Level	Spin Selection (Duration)	Options Disabled	Cycle Details
Cycle for normal, regular, or typical use for washing up to a full load of normally soiled cotton clothing.	Colors Normal	Hot Warm Colors Cool Cold Tap Cold	Heavy Heavy (-) Normal Light (+) Light	Max ++ + Normal Off	Deep Fill	Cycle for normal, regular, or typical use for washing up to a full load of normally soiled cotton clothing. Choose the Heavy or Extra Heavy soil level selection and Warm or Hot water temperature selection as appropriate for your clothes load for a higher degree of cleaning. Incorporates multi-stage fills and wash periods to provide optimal fabric care.
Lingerie and special care fabrics with light soil.	Delicates	Hot Warm Colors Cool Cold Tap Cold	Heavy Heavy (-) Normal Light (+) Light	Max ++ + Normal Off	Tangle Control	Utilizes an extra gentle agitate profile and a low spin speed to provide special care to delicate fabrics. It is recommended to place small or ultra delicate items in mesh bags before washing.
Small loads of lightly soiled items that are needed in a hurry. Examples include one casual wear outfit or 3 soccer uniforms.	Quick Wash	Hot Warm Colors Cool Cold	Heavy Heavy (-) Normal Light (+) Light	Max ++ + Normal Off	None	Utilizes more intense agitation profile and expedited wash period to clean small lightly soiled loads in the fastest time possible.
Wet load of items. For items that need only to be rinsed, use this cycle with Deep Rinse option.	Drain & Spin			Max ++ + Normal Off	Power Clean Gentle Care Tangle Control Auto Soak Smart Wash Smart Rinse Pre-Wash Smart Dispense	Utilizes a high speed spin to extract water from wet items. For items that need to be rinsed, select the Deep Rinse option when using this cycle.
Heavily soiled colorfast items.	Sanitize with Oxi*	Hot	Heavy	Max ++ +	Power Clean Gentle Care Tangle Control Auto Soak Smart Wash Smart Rinse Pre-Wash Smart Dispense	Cycle uses an initial lower water fill for super concentrated, high temperature sanitization followed by a heavy wash step. A pump purge and deep rinse is incorporated to remove contaminants. See additional details below. Smart Dispense not available on this cycle.
Jeans with medium to light soil.	Jeans	Hot Warm Colors Cool Cold Tap Cold	Heavy Heavy (-) Normal Light (+) Light	Max ++ + Normal Off	None	Combines higher water levels, a specially designed agitation profile, and multi-step wash to care for jeans with medium to light soil.
Water-resistant, bedding and bulky items, such as large coats, mattress pads, and bath mats.	Bulky	Hot Warm Colors Cool Cold Tap Cold	Heavy Heavy (-) Normal Light (+) Light	Max ++ + Normal Off	Tangle Control	Provides a Deep Fill/max fill wash water level to wash bulky and waterproof items. Also incorporates a Deep Fill rinse to effectively rinse bulky items and a low spin speed appropriate for these items. Only use this cycle for water-resistant, bedding or bulky items.

Getting started

D Wash Cycles-Cycle Selector Knob

Items to Wash	Cycle	Wash Temp	Soil Level	Spin Selection (Duration)	Options Disabled	Cycle Details	
Towels Sheets	Towels / Sheets	Hot Warm Colors Cool Cold Tap Cold	Heavy Heavy (-) Normal Light (+) Light	Max ++ + Normal Off	None	Cycle designed washing towels or sheets, using a higher water level to effectively clean these items. It is recommended that towels and sheets be washed separately for best care and washing performance. For waterproof bed covers use Bulky cycle.	
Whites and household linens	Whites	Hot Warm Colors Cool Cold Tap Cold	Heavy Heavy (-) Normal Light (+) Light	Max ++ + Normal Off	None	Cycle tailored to clean and brighten your whites.	
Various specialty fabrics	Down-loaded	Refer to SmartHQ App					Specialty cycles selectable through the SmartHQ App. Defaults to Active Wear.
Medium to lightly soiled athletic wear items of technical or synthetic fabrics.	Active Wear (Down-loaded) Default	Hot Warm Colors Cool Cold Tap Cold	Heavy Heavy (-) Normal Light (+) Light	Max ++ + Normal Off	None	Default cycle for the Downloaded cycle position. Cycle designed for care of medium to lightly soiled active wear, athletic wear, and technical fabrics. Incorporates a dual stage wash period to effectively treat body soils and odors.	

⚠ WARNING

Failure to closely follow these instructions may result in an abnormal vibrating and out-of-balance condition that could result in physical injury, property damage, and/or appliance damage.

For Waterproof, Water-Resistant, or Bulky:

- Only use the **Bulky** (or **Delicates**) cycle.
- Using other cycles can cause excessive vibration and may result in injury or damage to the washer, walls, or floor.
- Do not mix waterproof and non-waterproof items.
- Read the **Owner's Manual** for wash cycle details.

*Sanitize with Oxi

The **Sanitize With Oxi** cycle, when using an Oxi additive along with your detergent, is designed to remove 99.9% of bacteria found in home laundry. Measure the detergent and the Oxi products carefully. Using the amounts appropriate for a large heavily soiled load in a top load washer, follow the detergent and the Oxi product label instructions. For the **Sanitize With Oxi** cycle only, add the clothes first and then place the detergent and Oxi product directly on top of the load. The washer hot water supply connection must provide a minimum of 120°F to ensure the effectiveness of this cycle.

NOTE: The default **Sanitize With Oxi** cycle water temperature can NOT be changed.

E Settings

Individual settings for water temperature (**Temp**), agitation (**Soil**), and spin (**Spin**) can be set from the minimum (lowest in column) to maximum (highest in column).

NOTE: Longer **Spin** times typically reduce dryer time/energy usage (i.e. reduces total energy when using both a washer and a dryer).

Temperature Selection							Soil Selection						Spin Selection					
Tap Cold	Cold	Cool	Colors	Warm	Hot		Light	Light +	Normal	Heavy -	Heavy	Off	Normal	±	++	Max		
<input type="radio"/> Hot	<input type="radio"/> Hot	<input type="radio"/> Hot	<input type="radio"/> Hot	<input type="radio"/> Hot	<input checked="" type="radio"/> Hot	<input checked="" type="radio"/> Hot	<input type="radio"/> Heavy	<input type="radio"/> Heavy	<input type="radio"/> Heavy	<input type="radio"/> Heavy	<input checked="" type="radio"/> Heavy	<input type="radio"/> Max	<input type="radio"/> Max	<input type="radio"/> Max	<input type="radio"/> Max	<input checked="" type="radio"/> Max		
<input type="radio"/> Warm	<input type="radio"/> Warm	<input type="radio"/> Warm	<input type="radio"/> Warm	<input type="radio"/> Warm	<input checked="" type="radio"/> Warm	<input checked="" type="radio"/> Warm	<input type="radio"/> Heavy -	<input type="radio"/> Heavy -	<input type="radio"/> Heavy -	<input checked="" type="radio"/> Heavy -	<input type="radio"/> Heavy -	<input type="radio"/> ++	<input type="radio"/> ++	<input type="radio"/> ++	<input checked="" type="radio"/> ++	<input type="radio"/> ++		
<input type="radio"/> Colors	<input type="radio"/> Colors	<input type="radio"/> Colors	<input checked="" type="radio"/> Colors	<input checked="" type="radio"/> Colors	<input type="radio"/> Colors	<input type="radio"/> Colors	<input type="radio"/> Normal	<input type="radio"/> Normal	<input checked="" type="radio"/> Normal	<input type="radio"/> Normal	<input type="radio"/> Normal	<input type="radio"/> +	<input type="radio"/> +	<input checked="" type="radio"/> +	<input type="radio"/> +	<input type="radio"/> +		
<input type="radio"/> Cool	<input type="radio"/> Cool	<input checked="" type="radio"/> Cool	<input type="radio"/> Cool	<input type="radio"/> Cool	<input type="radio"/> Cool	<input type="radio"/> Cool	<input type="radio"/> Light +	<input checked="" type="radio"/> Light +	<input type="radio"/> Light +	<input type="radio"/> Light +	<input type="radio"/> Light +	<input type="radio"/> Normal	<input checked="" type="radio"/> Normal	<input type="radio"/> Normal	<input type="radio"/> Normal	<input type="radio"/> Normal		
<input type="radio"/> Cold	<input checked="" type="radio"/> Cold	<input type="radio"/> Cold	<input type="radio"/> Cold	<input type="radio"/> Cold	<input type="radio"/> Cold	<input type="radio"/> Cold	<input type="radio"/> Light	<input checked="" type="radio"/> Light	<input type="radio"/> Light	<input type="radio"/> Light	<input type="radio"/> Light	<input type="radio"/> Off	<input checked="" type="radio"/> Off	<input type="radio"/> Off	<input type="radio"/> Off	<input type="radio"/> Off		
<input type="radio"/> Tap Cold	<input type="radio"/> Tap Cold	<input type="radio"/> Tap Cold	<input type="radio"/> Tap Cold	<input type="radio"/> Tap Cold	<input type="radio"/> Tap Cold	<input type="radio"/> Tap Cold	<input type="radio"/> Light	<input checked="" type="radio"/> Light	<input type="radio"/> Light	<input type="radio"/> Light	<input type="radio"/> Light	<input type="radio"/> Off	<input checked="" type="radio"/> Off	<input type="radio"/> Off	<input type="radio"/> Off	<input type="radio"/> Off		

Getting started

F Cycle Options

Deep Fill

Select the **Deep Fill** feature for loads where extra water is desired. The **Deep Fill** feature is recommended for special case loads only, not for typical use.

Press and release the **Deep Fill** button once before starting the cycle to add 3 additional gallons of water to the wash load. Holding the **Deep Fill** button for 3 seconds will provide the deepest fill level possible; this will increase cycle time due to the additional time it takes to fill the washer.

To cancel the option if desired, press the **Deep Fill** button again.

NOTE: The **Deep Fill** button can also be pressed after the washer has completed filling and is in the wash phase if additional water is desired. To stop the extra fill, press the **Deep Fill** button again and the water will stop.

Power Pre-wash (on some models)

Ideal for heavily soiled loads, this cycle option works with SmartDispense™ to add a brief wash, soak and drain cycle to loosen and remove heavy soil before starting the cycle selected.

Tangle Control™ (on some models)

Setting this option will adjust your wash cycle to aid in the prevention of tangling. Your cycle time may increase when this option is selected. **NOTE:** This option is not allowed for some cycles.

Auto Soak

This option begins with a brief agitation, soaks for a specified period of time, then moves through the rest of the cycle automatically. Repeated pressing of the **Soak** button will scroll through 15 minute, 30 minute, 1 hour and 2 hour selections and then return back to 0 soak minutes.

Deep Rinse

Set this option to provide a deep rinse or when using fabric softener. It may change other settings (e.g. **Spin** may go to a higher setting) to maximize performance. Option available on all wash cycles.

Delay Wash

When the **Delay Wash** button is repeatedly pressed, the delay time is set from 1 (01H) to 9 (09H) hours and back to clear (00H) hours. If you press and hold the **Delay Wash** button for 3 seconds, it will immediately reset.

Extra Rinse

When you use extra detergent or bleach to clean heavily soiled clothes, use the **Extra Rinse** option to better remove additional residues. **NOTE:** This option is not allowed for some cycles.

Smart Wash (on some models)

When enabled, the **Smart Wash** option will automatically sense the soil level of the load and adjust the wash cycle accordingly (adding or removing agitation and soaking times) to achieve excellent wash performance while minimizing wear.

Smart Rinse (on some models)

The **Smart Rinse** feature senses the amount of soil and detergent in the current laundry cycle and determines whether additional water is needed to ensure a thorough rinse keeping fabrics performing like new for longer.

My Cycle Settings (on some models)

As the cycle selector knob is turned, the **Temp**, **Soil** and **Spin** settings change to automatic pre-set default settings for each cycle. If you desire different default settings, select the desired options or changes to the cycle settings, then press and hold the **My Cycle** button for 3 seconds to store them. The **My Cycle** button will light when active. In the future, when you turn the selector knob to that cycle, your settings will be automatically recalled. To restore the factory defaults temporarily (i.e. for this load), press the **My Cycle** button for 1/2 second. The **My Cycle** light will turn off and the factory defaults will load. However, the next time you select this cycle, your **My Cycle** settings will load. If you wish to permanently restore the factory default settings for the cycle; when the **My Cycle** is active (button light on) press and hold the **My Cycle** button for 3 seconds. The factory defaults will load for the selected cycle and the **My Cycle** light will turn off. The default settings will load when this cycle is selected in the future and the **My Cycle** light will remain off. **NOTE:** My Cycle saves the following options: **Temp**, **Soil**, **Spin**, **Extra Rinse**, **Deep Fill**, **Auto Soak**, **Deep Rinse**, **Tangle Control**, **Auto**, **Power Clean** and **Gentle Care**.

Sound (on some models)

Use the **Volume** button to change the volume of the end of cycle signal and other system tones. Press the button until you reach the desired volume (high, medium, low) or off. On some models, this feature may only be available through the GE Appliances SmartHQ App.

Control Lock

Use the control lock before or during a cycle to prevent any selections from being made.

To lock/unlock the washer controls, press and hold the **Rinse** and **Spin** buttons for 3 seconds. The control lock icon will light up when it is on.

NOTE: The **Power** button can still be used when the machine is locked.

Getting started

G Power Clean and Gentle Care (on some models)

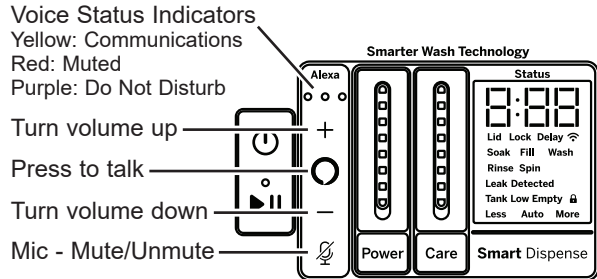
The **Auto** setting balances wash performance, fabric care, and cycle time for normally-soiled or lightly-soiled loads.

Gentle Care reduces agitation time and adds a series of soaks to reduce fabric wear/fading while still providing great wash performance on garments needing special care.

Use **Power Clean** to add heavy agitation and soaking to boost wash performance for loads needing a deep clean.

H Alexa Voice Assistant (PTW905 and PTW900 models only)

Your washer is embedded with Alexa voice assistant. When connected to your SmartHQ App, you can use your voice to automatically set your washer to handle tough stains or to set the appropriate cycle to wash specific fabrics. When paired with compatible dryer, you can also set your dryer to optimally handle a specific fabric. Refer to the label on the inside of your washer lid to utilize your laundry voice assistant. Download your SmartHQ App and connect your washer to set up your built in Alexa.



Alexa and all related marks are trademarks of Amazon.com, Inc. or its affiliates.

I SmartDispense™ (PTW905, PTW900, PTW805 and PTW800 models only)

When selected, this feature will automatically add detergent to the wash, eliminating the need to add detergent for each load.

The detergent amount selection on the control panel will default to **AUTO** when first powering up the washing machine. When **AUTO** is selected, the amount of detergent needed for each laundry load will automatically be determined based on the size of the load the machine senses.



If it is desired to manually select the amount of detergent for a given load, this can be done by pressing the **Select button on the **Smart Dispense** control panel to choose between **Less** or **More** detergent. **Less** will provide less detergent than the **Auto** selection and **More** will provide more detergent than the **Auto** selection.**

The smart dispense feature can be disabled by pressing the **Select button on the **Smart Dispense** control panel until **Off** is selected.**

NOTE: Not all cycles will allow the use of the SmartDispense feature. If the **Off** LED is illuminated and pressing the **Select** button results in a beeping tone, then SmartDispense is not allowed for the cycle that has been selected. Detergent will need to be added directly to the wash basket for these cycles.

Adding Detergent to SmartDispenser™ (PTW905, PTW900, PTW805 and PTW800 models only)

This machine is equipped with a bulk detergent reservoir that can hold approximately 75 ounces of liquid detergent for your convenience. This is enough detergent for about 50 average laundry loads, depending on what dispense amount is selected.



When the **Tank Low** or **Tank Empty** LED is illuminated, more detergent should be added to the reservoir to ensure detergent will be available for the next cycle.

The filling port of the detergent reservoir is located on the **front left** of the washing machine. To fill the reservoir with liquid detergent, first open the tank lid by rotating the small lid clockwise. Then pour **LIQUID** detergent into the opening until the level reaches the **MAX** indicator located inside the filling port, also indicated with the horizontal line next to the **MAX** lettering. Filling to this **MAX** level will provide detergent for about 50 average laundry loads.

NOTE: If it is desired to change detergent type in the detergent tank, it is not required to flush the smart dispense system. The new detergent type can be added to a partially-filled tank, however it will not be immediately dispensed until the original detergent is completely dispensed from the system.

NOTE: In the event that excessive chlorine bleach is accidentally spilled or otherwise gets into the detergent tank, please follow the **Detergent Tank Clean-Out** instructions in the **Care and Cleaning** section in order to minimize the possibility for clothing damage. If only a few drops of bleach are spilled into the detergent tank, there is no need to flush the tank.

Getting started

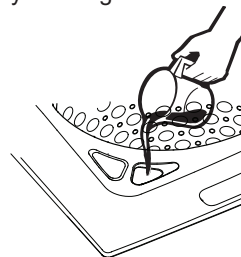
Liquid Bleach (PTW905, PTW900, PTW805 and PTW800 models only)

Use a measuring cup to pour the bleach into the bleach dispenser. Measure liquid bleach carefully and **DO NOT** pour directly from the bleach bottle into the bleach dispenser.

NOTE: The bleach dispenser is a single use dispenser and is **NOT** a bulk dispense system. The maximum amount of bleach that should be poured into this dispenser for any load should never exceed 1 cup.

NOTE: In the event that excessive chlorine bleach is accidentally spilled or otherwise gets into the detergent tank, please follow the **Detergent Tank Clean-Out** instructions in the **Care and Cleaning** section in order to minimize the possibility for clothing damage. If only a few drops of bleach are spilled into the detergent tank, there is no need to flush the tank.

NOTE: In the event that detergent is accidentally spilled or otherwise gets into the bleach opening, that detergent will simply be used for the next wash cycle. In this case there is no need to perform any flushing routine.



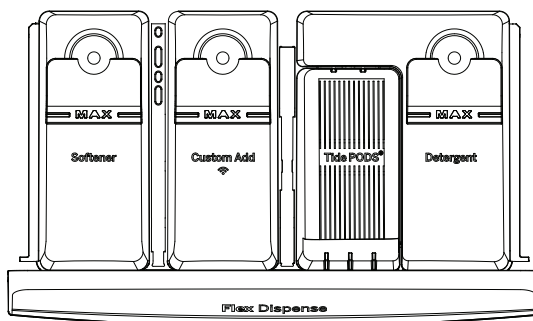
Flex Dispense Drawer

Use this Flex Dispense Drawer for softener/conditioner, pre-wash detergent, detergent packets (laundry packs) and main detergent.

Liquid fabric softener/conditioner should be added to the far left washer drawer compartment. Follow the liquid fabric softener/conditioner manufacturer's recommendations for the correct amount of softener/conditioner, based on the load size. Do not overfill or dilute softener/conditioner as this can result in additive being dispensed prematurely in the wash cycle. Your option selections will determine when liquid fabric softener/conditioner is automatically dispensed at its optimal time in the rinse cycle.

NOTE: Fabric softener crystals should **NOT** be added to the dispenser drawer, as they will not dispense properly.

Pre-wash detergent should be added to the middle left (second from left) Custom Add compartment. Use with SmartHQ App. Fill for heavily soiled loads to loosen and remove heavy soil before starting the main cycle selected. Refer to the SmartHQ App for Flex Dispense capabilities.




HE detergent should be added to the far right compartment. Follow the detergent manufacturer's recommendations for the correct amount of detergent, based on load size, taking care to add detergent to the **right compartment**. Do not overfill or dilute detergent as this can result in additive being dispensed prematurely in the wash cycle. Your option selections will determine when detergent is automatically dispensed at its optimal time in the wash cycle.

For optimal performance, especially when selecting cooler temperature and in cold weather climates, place powdered HE detergent directly on top of the load.

NOTE: Single-dose laundry packets should not be added to the detergent dispenser, as they will not dispense properly. Put packets in the Laundry Pack Dispenser Cup.

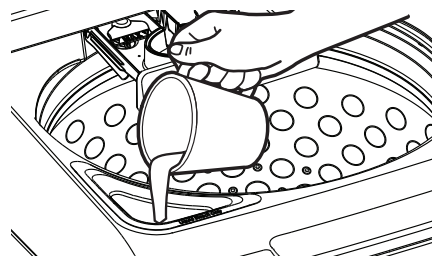
Detergent packets (Laundry Packs) should be added to the middle right (third from left) compartment. For best performance, pods should be placed in the center (left to right) of the compartment and towards the front of the compartment. Avoid pushing the pod to the rear of the compartment unless using two or more pods. Do not lean pods against the side walls of the pod compartment. Follow the detergent manufacturer's recommendations for the correct number of detergent packets for your wash load. Do not add more detergent packets than recommended as this can result in residual detergent being leftover at the end of the cycle. Your option selections will determine when detergent is automatically dispensed at its optimal time in the wash cycle.

NOTE: We recommend the use of High Efficiency  laundry packs such as Tide PODS™ or Gain Flings™. Some detergent packs may not dispense completely at very cold temperatures or in the delicate cycle. In these cases, you may use a warmer temperature setting to dispense harder to dissolve detergent packs.

Liquid Bleach Dispenser (PTW705, PTW700, PTW605 and PTW600 models only)

Liquid chlorine bleach should be added through the bleach dispenser in the **front left corner**. Follow bleach manufacturer's recommendations for the correct amount of liquid chlorine bleach based on load size, taking care to not apply or spill it directly on clothing.

NOTE: Do not use liquid chlorine bleach and laundry pretreatments such as an Oxi product in the same wash load.



Loading

Always follow fabric manufacturer's care label when laundering.

Automatic Load Sensing

This determines the appropriate amount of water suited to the size and type of load placed in the washer. The washer will not start the wash cycle or fill with water if the lid is open. When the lid is closed the machine is able to begin filling with water in order to sense the load size.

NOTE: Automatic Load Sensing initiates a spin at the beginning of the cycle; this is normal operation.

NOTE: This is a high efficiency washing machine. This system requires less water while providing effective cleaning action. You may notice that the water level is lower than on your previous washer. This is normal for a high efficiency washer.

Pretreatment

Place laundry pretreatments, such as an Oxi product, directly on top of the load of clothes.

NOTE: Do not use liquid chlorine bleach and laundry pretreatments such as an Oxi product in the same wash load.

Proper Use of Detergent

Using too little or too much detergent is a common cause of laundry problems.

Use less detergent if you have soft water, a smaller load or a lightly soiled load.

For spots, apply pre-treatment to items as recommended on the product label. Application should be made in the basket to prevent overspray which may cause the coloring on the lid or graphics to fade.


Place detergent packets in the Laundry Pack Dispenser (on some models) or the bottom of the wash basket before adding clothes.

GE Appliances recommends the use of High Efficiency detergents such as Tide PODS™ and liquid detergents in your energy efficient washer. HE detergents are formulated to work with low water wash and rinse systems. HE detergents reduce the oversudsing problems commonly associated with regular detergents.

When using high efficiency or concentrated detergents, consult the product label to determine amount required for optimum performance. Excessive detergent will negatively impact wash performance.

Sorting Wash Loads

Sort by color (whites, lights, colors), soil level, fabric type (sturdy cottons, easy care, delicates) and whether the fabric produces lint (terry cloth, chenille) or collects lint (velveteen, corduroy). Wash lint producers such as cotton towels and socks separate from lint collectors including synthetic garments and dress pants.

⚠ WARNING  - **Fire Hazard**

DO NOT wash fabrics soiled with flammable liquids or cleaning solvents.
No washer can completely remove oil.

DO NOT dry anything that has been soaked in or spotted with any type of oil.

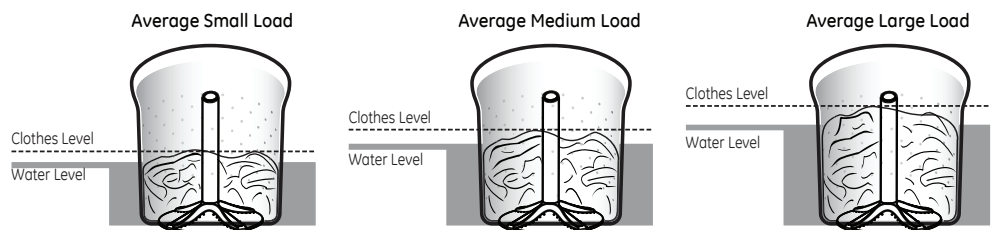
DO NOT reach into the washer until all moving parts have stopped.
Doing so can result in death, explosion, fire or amputation.

Loading the Washer

Load dry items loosely in the washer basket. For best results, load items evenly and loosely around the outside of the basket, filling in towards the center on larger loads. To add items after washer has started, press **Start/Pause** if the lid is locked; wait until the **Lid Lock** indicator on the display is no longer illuminated before attempting to open the lid. Lift the lid and submerge additional items around the outside of the basket. Close the lid and press **Start** to resume. Adjust load size selection and/or use **Deep Fill** option if necessary.

NOTE: Some cycles use a two stage wash fill. The first stage will have a lower water level than the second stage; this is normal operation.

- Do not place large items such as sheets, blankets and towels across the Infusor. Load them around the outside of the basket.
- Do not put lawn or sofa cushions into the washer as they are too big to move. Remove outer covers and **ONLY** wash them.



Appliance communication

WiFi Connect (For customers in the United States only - on some models)

Your washer is **GE Appliances WiFi Connect** enabled.

Visit www.GEAppliances.com/connect and enter your model number to show you the proper steps to connect your appliance.

WiFi Connectivity: For assistance with the appliance or the **GE Appliances U+ Connect** network connectivity, please call GE Appliances Connected Home Support at **800.220.6899**.

Please visit www.GEAppliances.com/connect to learn more about connected appliance features, to learn what connected appliance apps will work with your smartphone and to learn where you can purchase a **U+ Connect** module.

The **U+ Connect** module has the FCC/IC ID located on the back of the module.

Part Number	Accessory
PBX23W00Y0	WiFi U+ Connect module

Care and Cleaning

⚠ WARNING - Electrical Shock Hazard

Certain internal parts are intentionally not grounded and may present a risk of electric shock only during servicing. **Service personnel – DO NOT** contact the following parts while the appliance is energized: Drive Motor, Lid Lock, Water Valves, Drain Pump and Recirculation Pump.

Exterior of the Washer

Immediately wipe off any spills with a damp cloth.

Interior of the Washer

To clean the interior of the washer, select the **Bulky** cycle on the control panel. This **Bulky** cycle should be performed, at a minimum, once per month. This cycle will use more water, in addition to bleach, to control the rate at which soils and detergents may accumulate in your washer.

NOTE: Read the instructions below completely before starting the **Bulky** cycle.

1. Remove any garments or objects from the washer and ensure the washer basket is empty.
2. Open the washer lid and pour one cup or 250 ml of liquid bleach or other washing machine cleaner into the basket.



3. Close the lid and select the **Bulky** cycle. Push the **Start** button.
4. When the **Bulky** cycle is working, the display will show the estimated cycle time remaining. Do not interrupt the cycle.

IMPORTANT:

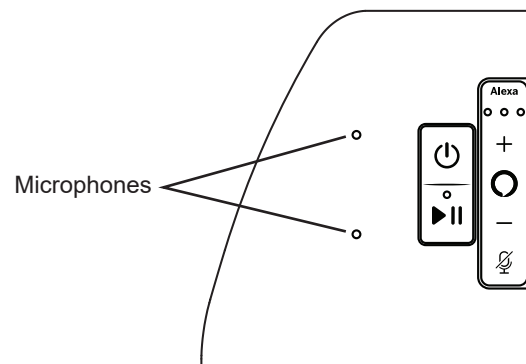
- Run **Bulky** with 1 Cup (250 ml) of bleach once a month.
- After the completion of a **Bulky** cycle, the interior of your washer may have a bleach smell.

For basket cleaning option, download and refer to the SmartHQ App.

Microphones (PTW905 and PTW900 models only)

NOTE: The washer control panel contains 2 sensitive microphones. If the microphones become exposed to liquid contaminants or if the audio ports become clogged, feature performance could be degraded.

To clean the audio ports/microphones, immediately wipe off any spills on or near the microphone audio ports. Next, gently wet a small cotton swab with water. Be sure to wring out excess water from swab so that it is only damp. Gently insert the damp cotton swab into the audio port holes and wipe out with a gentle spinning motion. Repeat process until all contaminants are clear. Allow unit to dry. Drying times may vary and can exceed 24hours in some cases.



Detergent Tank Clean-Out (PTW905, PTW900, PTW805 and PTW800 models only)

NOTE: All clothes should be removed from the washer prior to cleaning out the detergent tank.

To empty out the tank and remove any remaining detergent from the reservoir:

1. Press and hold both the **Smart Dispense** and **Smart Wash** buttons for three seconds.
2. The empty out routine will begin with the contents of tank, mixed with water, being dispensed into the basket and consequently drained from the machine at the same time.

3. The empty out routine will continue for approximately 15 minutes unless it is paused by the pressing of the **Start** button. If tank is initially full, routine may need to be run a second time to empty detergent tank.

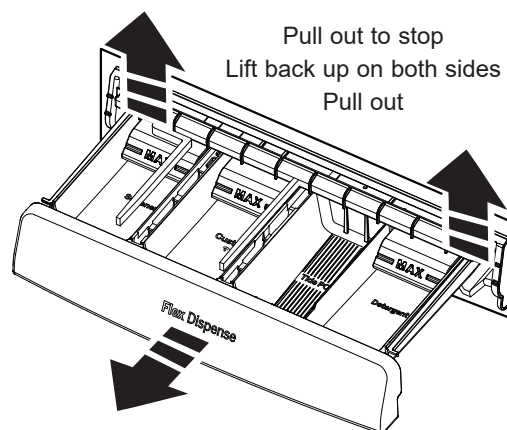
NOTE: Optionally, hot water can be added to the tank to aid in flushing out the system of any residual detergent prior to starting or during the cleanout routine.

Care and Cleaning

Flex Dispense Drawer

After some period of use, a small amount of detergent or softener residue may be present in the Flex Dispense Drawer. The drawer can easily be removed for cleaning. To remove the drawer, pull it out until the drawer stops, lift up the back of the drawer on both sides and pull it out. The drawer can then be removed from the dispenser box. Wash the drawer in warm, soapy water using a mild detergent. Rinse drawer with warm water. If siphon caps are removed for cleaning, be sure to push siphon caps fully back into place after cleaning.

The dispenser drawer and siphon caps are not dishwasher safe. The dispenser box is not removable, but it can be wiped clean using a damp cloth if necessary. Do not attempt to remove the dispenser box for cleaning.



Water Supply Hoses

Periodically inspect all water inlet hoses for water leaks, wear, cuts, corrosion, and bulges. Replace all hoses immediately if any sign of these failures appear. All hoses should be replaced every 5 years of use to reduce risk of hose failures and possible water damage. When replacing hoses, refer to the Installation Instructions for proper installation. DO NOT overtighten or cross thread fittings. DO NOT allow the hose to rub against sharp objects, become kinked, or become over stretched. Always ensure hose rubber gaskets are installed and free from leaks when pressurized.

Long Vacations

Be sure water supply is shut off at faucets. Drain all water from hoses and water filter pump area if weather will be below freezing.

Moving and Storage

Ask the service technician to remove water from drain pump and hoses. Do not store the washer where it will be exposed to the weather.

PTW905, PTW900, PTW805 and PTW800 models only: Do not move the washer with a full tank of detergent. If moving the washer with a partially filled tank of detergent, do not tilt washer forward as detergent could spill from tank. If moving the washer will result in tipping the washer forward in any way, it is best to flush out your detergent tank. See **Detergent Tank Clean-Out** in this **Care and Cleaning** section.

Installation Instructions

Washer

If you have any questions, call GE Appliances at 800.GE.CARES (800.432.2737) or visit our Website at: GEAppliances.com
In Canada, call 800.561.3344 or visit GEAppliances.ca

BEFORE YOU BEGIN

Read these instructions completely and carefully.

- **IMPORTANT** – Save these instructions for local inspector's use.
- **IMPORTANT** – Observe all governing codes and ordinances.
- **Note to Installer** – Be sure to leave these instructions with the Consumer.
- **Note to Consumer** – Keep these instructions for future reference.
- **Skill level** – Installation of this appliance requires basic mechanical and electrical skills.
- **Completion time** – 1-3 hours
- Proper installation is the responsibility of the installer.
- Product failure due to improper installation is not covered under the Warranty.

PARTS SUPPLIED

Drain Hose



Owner's Reference Guide



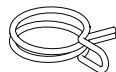
Cable Tie



Drain Hose Clip



Clamp



TOOLS REQUIRED FOR WASHER INSTALLATION

Pliers

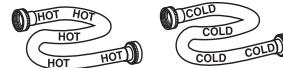


Level



PARTS REQUIRED (Sold separately)

Water Hoses (2)



Rubber Washers (2) and Strainer Screens (2)



Drain Hose Extension (For discharge heights from 60" - 96"

GE Appliances Parts and Accessories

Order on-line at GEApplianceparts.com today, 24 hours a day or by phone at 800.626.2002 during normal business hours.

Part Number	Accessory
PM14X10002	4 ft Rubber Water Supply Hoses
PM14X10005	4 ft Braided Metal Water Supply Hoses
WH1X2267	Rubber Washer (1) and Screen (1)
WH49X301	Drain Hose Extension (For discharge heights from 60" - 96"

NOTE: We strongly recommend the use of new water supply hoses. Hoses degrade over time and need to be replaced every 5 years to reduce the risk of hose failures and water damage.

Installation Instructions

LOCATION OF YOUR WASHER

DO NOT Install the Washer:

1. In an area exposed to dripping water or outside weather conditions. The ambient temperature should never be freezing or near freezing for proper washer operation.
2. In an area where it will come in contact with curtains or drapes.
3. On carpet. The floor **MUST** be a hard surface with a maximum slope of 1/2" per foot (1.27 cm per 30 cm). To make sure the washer does not vibrate or move, you may have to reinforce the floor.

NOTE: If floor is in poor condition, use 3/4" impregnated plywood sheet solidly attached to existing floor covering.

IMPORTANT: Minimum Installation Clearances - Alcove or Closet

- If your washer is approved for installation in an alcove or closet, there will be a label on the back of the machine describing requirements.
- Minimum clearance between washer and adjacent walls or other surfaces: 0" either side, 2" front, 3" rear. Vertical space from floor to overhead shelving, cabinets, ceiling, etc. = 60".
- Closet doors must be louvered or otherwise ventilated and have at least 60 square inches of open area. If the closet contains both a washer and a dryer, doors must contain a minimum of 120 square inches of open area.

NOTE: The clearances stated on this label are minimums. Consideration must be given to providing adequate clearances for installing and servicing.

WATER SUPPLY REQUIREMENTS

WATER SUPPLY LINES - Purge Hot and Cold water supply lines for 30 seconds prior to installation of hoses and washing machine. Ensure inlet hose screens are also clean and free of debris.

WATER PRESSURE - Must be 20 psi minimum to 120 psi maximum. **NOTE:** The 20 psi minimum pressure is the "dynamic" pressure, that is the actual pressure at the water valve inlet while the washer is actively filling with water.

WATER TEMPERATURE - Household water heater should be set to deliver water at 120° to 150°F (50° to 66°C) TO THE WASHER when hot wash is selected.

SHUTOFF VALVES - Both hot and cold shutoff valves (faucets) should be supplied.

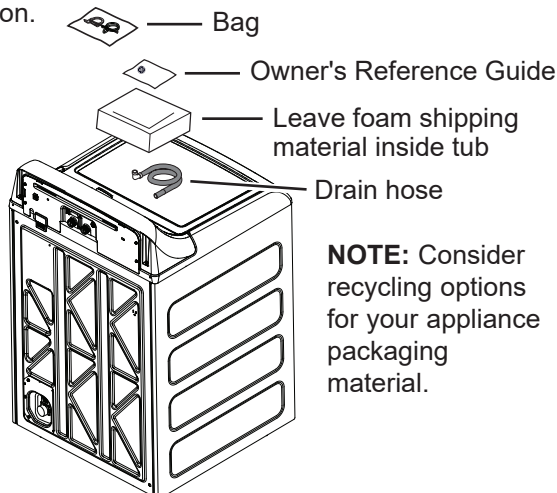
DRAIN - Water should be drained into standpipe. Discharge height **MUST NOT BE LESS THAN 30 INCHES**, and no more than 8 feet above the base of the washer. Standpipe must be 1-1/2 inches minimum inside diameter and must be open to atmosphere.

1 UNPACKING THE WASHER

After the machine is in the home, remove outside packing material/carton from washer.

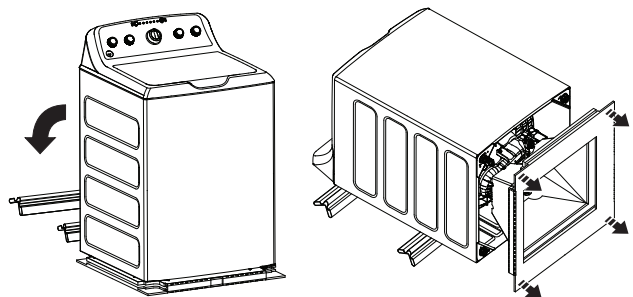
Remove bag (containing clamp, cable tie and drain hose clip), drain hose and Owner's Reference Guide from tub.

NOTE: Leave foam shipping material inside tub opening to hold tub in place during the rest of installation.



2 REMOVE THE BASE

Remove base from unit by placing foot on side of base and tipping unit back on corner post. Remove base by pulling it straight off. Bring the washer back upright.



⚠ WARNING - Electrical Shock Hazard

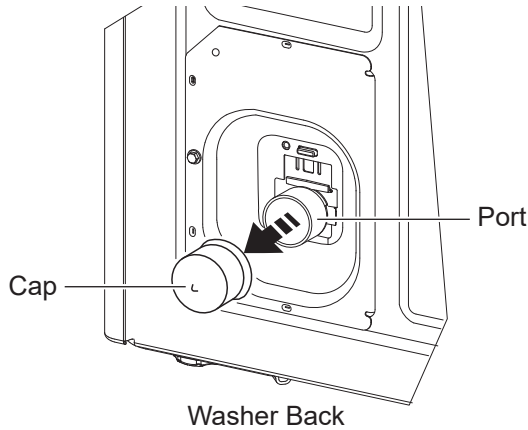
Certain internal parts are intentionally not grounded and may present a risk of electric shock only during servicing.

Service personnel – DO NOT contact the following parts while the appliance is energized: Drive Motor, Lid Lock, Water Valves, Drain Pump and Recirculation Pump.

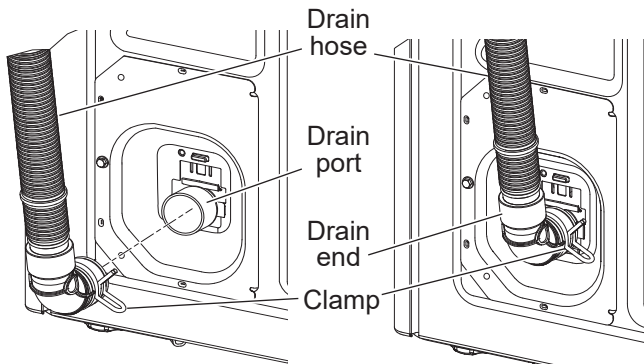
Installation Instructions

3 CONNECT DRAIN HOSE TO WASHER

Remove the cap from the drain port, if present, before installing the drain hose. It is normal for a small amount of residual water from the factory quality test process to drain out of the port when removing the cap.



Connect drain hose to drain port on back of washer. Open clamp with pliers and slide onto hose end. Holding clamp open, push hose end onto drain port until fully seated. Release clamp between locating ribs on hose end. Outlet of hose end should be oriented vertically.

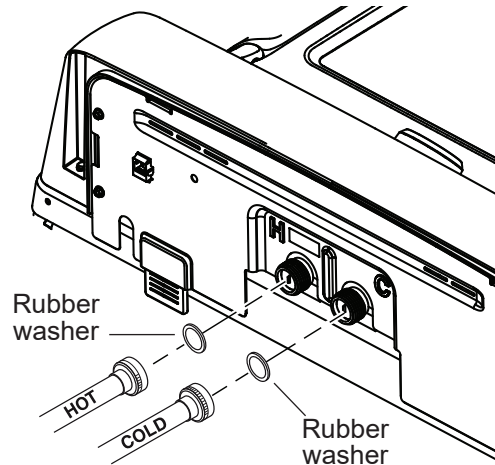


4 CONNECT WATER HOSES TO WASHER

Unplug electrical cord before installing water hoses. If not installed, install rubber washer in one end of hot water hose. Thread hot water hose onto connection labeled **H** at top rear of washer. Hand tighten and use pliers to tighten hoses between 1/8 and 1/4 turn beyond hand-tight.

If not installed, install rubber washer in one end of cold water hose **C**. Thread cold water hose onto connection labeled **C** at top rear of washer. Hand tighten and use pliers to tighten hoses between 1/8 and 1/4 turn beyond hand-tight.

Move washer as close to final location as possible, leaving room for you to make water, drain, and electrical connections to your home.



5 CONNECT WATER HOSES TO OUTLET VALVES

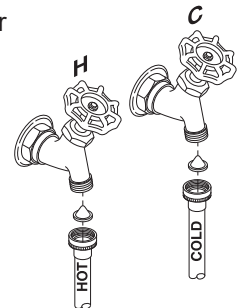
Determine which is HOT water line before attaching water hoses to faucets. Traditionally, HOT faucet is on left.

(If screen washers are not installed) With protruding part of screen toward you, install strainer screen/rubber washer into each of the free ends of two water hoses.

Connect hot water hose to hot water outlet valve of your home. Hand tighten and use pliers to tighten hoses between 1/4 and 1/2 turn beyond hand-tight. Open hot water valve.

Connect cold water hose to cold water outlet valve of your home. Hand tighten and use pliers to tighten hoses between 1/4 and 1/2 turn beyond hand-tight. Open cold water valve.

Check for leaks and drips at the hose couplings. Tighten as necessary.

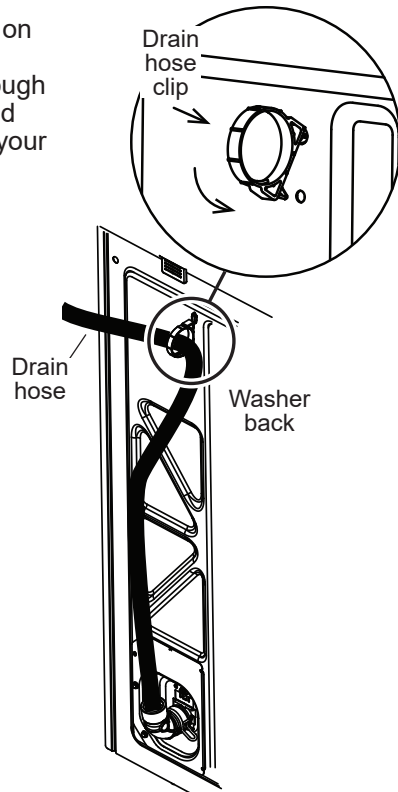


Installation Instructions

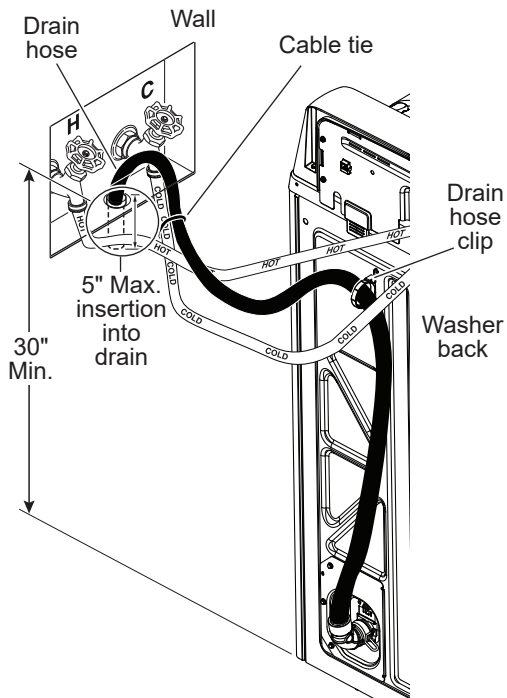
6 CONNECT TO DRAIN

Install drain hose clip on rear panel of washer. Route drain hose through clip and insert free end into drain opening of your home.

NOTE: If longer drain hose is required, order drain hose extension kit, GE Appliances part number WH49X301. Connect additional drain hose (contained in kit) to original hose with hose clamp (contained in kit).



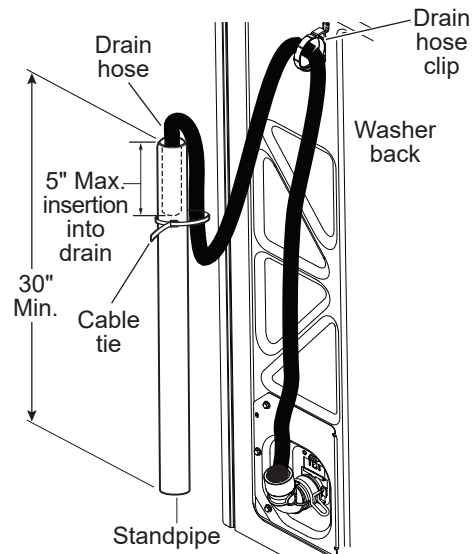
If water valves and drain are built into wall, fasten drain hose to one of the water hoses with cable tie provided.



NOTE: Placing the drain hose too far down the drain pipe can cause a siphoning action. No more than 5" of hose should be in the drain pipe. There must be an air gap around the drain hose. A snug fit can also cause a siphoning action.

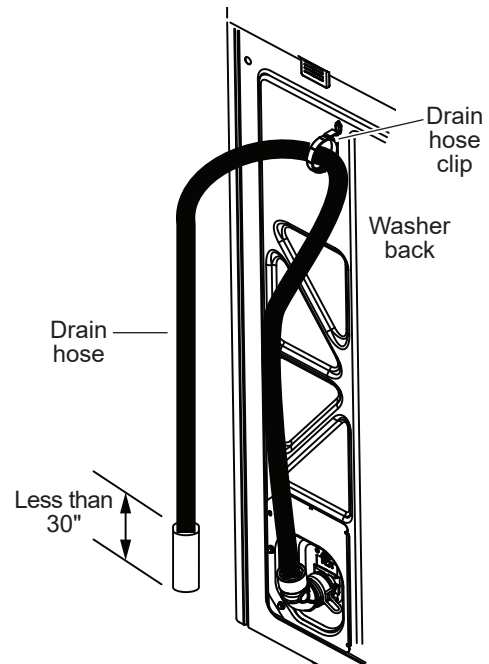
6 CONNECT TO DRAIN (Continued)

If your drain is a standpipe, fasten drain hose to standpipe with cable tie provided.



NOTE: Placing the drain hose too far down the drain pipe can cause a siphoning action. No more than 5" of hose should be in the drain pipe. There must be an air gap around the drain hose. A snug fit can also cause a siphoning action.

If drain discharge height does not meet 30" minimum height requirement, end of drain hose must be secured in drain opening of home by installer and have an air gap around hose to prevent siphoning.



NOTE: Placing the drain hose too far down the drain pipe can cause a siphoning action. No more than 5" of hose should be in the drain pipe. There must be an air gap around the drain hose. A snug fit can also cause a siphoning action.

Installation Instructions

ELECTRICAL REQUIREMENTS

⚠ WARNING - Electrical Shock Hazard

Plug into a grounded 3-prong outlet.

DO NOT remove ground prong.

DO NOT use an adapter.

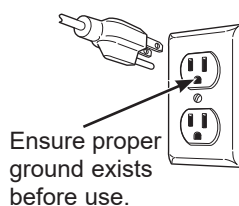
DO NOT use an extension cord.

Failure to follow these instructions can result in death, fire or electrical shock.

CIRCUIT – Individual, properly polarized and grounded 15 or 20 amp circuit breaker or time-delay fuse.

POWER SUPPLY – 2 wire plus ground, 120 Volt, single phase, 60 Hz, alternating current.

Outlet Receptacle – Properly grounded 3-prong receptacle to be located so the power cord is accessible when the washer is in an installed position. If a 2-prong receptacle is present, it is the owner's responsibility to have a licensed electrician replace it with a properly grounded 3-prong grounding type receptacle.



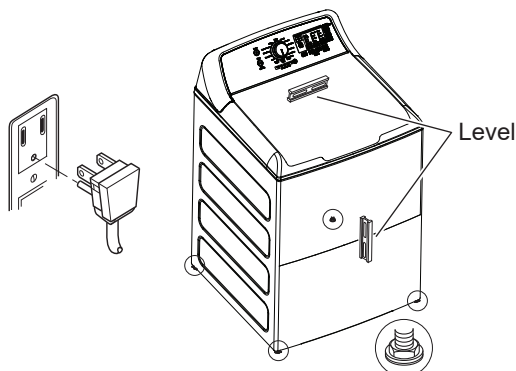
Washer must be electrically grounded in accordance with local codes and ordinances, or in the absence of local codes, with latest edition of the NATIONAL ELECTRICAL CODE, ANSI/NFPA NO. 70 or CANADIAN ELECTRICAL CODE, CSA C22.1. Check with a licensed electrician if you are not sure that the washer is properly grounded.

7 CONNECT POWER AND INSTALL

Insert plug of electrical cord into a 120V, 15- or 20-amp wall receptacle. Move washer into final position. Ensure nothing extends upward into the washer cabinet from underneath the washer. Place level on flat top side edges of washer. Adjust all four leveling legs until washer is level left-to-right and front-to-back. Remove level.

Open tub lid. Remove and discard tub shipping material (see Step 1).

Remove plastic protector sheet from control panel face.



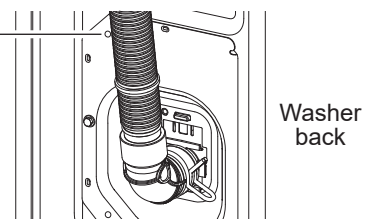
GROUNDING INSTRUCTIONS

This appliance must be grounded. In the event of malfunction or breakdown, grounding will reduce the risk of electric shock by providing a path of least resistance for electric current. This appliance is equipped with a cord having an equipment-grounding conductor and a grounding plug. The plug must be plugged into an appropriate outlet that is properly installed and grounded in accordance with all local codes and ordinances.

⚠ WARNING Improper connection of the equipment-grounding conductor can result in a risk of electrical shock. Check with a qualified electrician, or service representative or personnel, if you are in doubt as to whether the appliance is properly grounded. **DO NOT** modify the plug on the power supply cord. If it will not fit the outlet, have a proper outlet installed by a qualified electrician.

If required by local codes, an external 18 gauge or larger copper ground wire (not provided) may be added. Attach to washer cabinet with a #10-16 x 1/2" sheet metal screw (available at any hardware store) to rear of washer as illustrated.

Attach ground wire and ground screw (obtain locally)



Mobile Home Installation:

Installation must conform to Standard for Mobile Homes, ANSI A119.1 and National Mobile Home Construction and Safety Standards Act of 1974 (PL93-383).

FINAL CHECKLIST

Before starting the washer, check to make sure:

- Main power is turned on.
- The washer is plugged in.
- The water faucets are turned on.
- The unit is level and all four leveling legs are firmly on the floor.
- The shipping foam and cardboard are removed.
- The drain hose is properly tied up.
- There are no leaks at the faucet, drain line or washer.
- Remove the cap from the drain port, if present, before installing the drain hose.


Run the washer through a complete cycle.

- Check for water leaks and proper operation.
- Place these instructions in a location near the washer for future reference.

Troubleshooting Tips... Before you call for service

Problem	Possible Causes	What To Do
Small amount of water remaining in dispenser (on some models) at end of cycle	Normal dispenser operation	It is normal for a small amount of water to remain in dispenser after the cycle.
Short spray or turn on of drain pump and delay after pushing the Start button	Lid was opened and closed between cycle selection and start	This is normal. See START-UP SEQUENCE in the Safety Instructions section.
Water level seems low	This is normal	Water may not cover the top level of the clothes. This is normal for this high efficiency washer.
Low water flow	Water valve screens are stopped up	Turn off the water source and remove the water connection hoses from the upper back of the washer and the water faucets. Clean both the hose screens (if so equipped) and the screens in the machine using a brush or a toothpick. Reconnect the hoses and turn the water back on. Check to ensure there are no leaks at the connections.
	Low water supply pressure	If water pressure at the washer inlets is less than 20 psi while the washer is actively filling, call a plumber to assess your water supply and make corrections needed to increase the water pressure.
Water siphoning out of washer	Drain standpipe is too low or hose too far into standpipe	The drain hose must exceed 30" height at some point between the washer back and the drain pipe. Use anti-siphon clip. See the Installation Instructions .
Too many suds	Soft water	Try less detergent.
	Too much detergent	Measure your detergent carefully. Use less soap if you have soft water, a smaller load or a lightly soiled load.
	Type of detergent	Switch to High Efficiency detergent such as Tide PODS™ and liquid detergents.
Water leaks	Type of detergent	Switch to High Efficiency detergent such as Tide PODS™ and liquid detergents.
	Using too much detergent in washer	Use less detergent. Use less soap if you have soft water, a smaller load or a lightly soiled load.
	Fill hoses or drain hose is improperly connected	Make sure hose connections are tight at faucets and rubber washers are installed. Make sure end of drain hose is correctly inserted in and secured to drain facility.
	Household drain clogged	Check household plumbing. You may need to call a plumber.
	Drain hose rubs on wall	Make sure drain hose does not make contact with the wall. May cause excessive wear on the hose.
	Constant water pressure to fill hoses at water source	Tighten hoses at the faucets. Check condition of fill hoses; they should be replaced every 5 years.
Water temperature seems incorrect	Cooler water temperatures provide improved energy efficiency	New laundry detergents have been formulated to work with cooler water temperatures without affecting wash performance.
	Water supply is turned off or improperly connected	Turn both hot and cold faucets fully on and make sure hoses are connected to correct faucets. NOTE: Water valves are marked "H" and "C".
	Water valve screens are stopped up	Turn off the water source and remove the water connection hoses from the upper back of the washer and the water faucets. Clean both the hose screens (if so equipped) and the screens in the machine using a brush or a toothpick. Reconnect the hoses and turn the water back on. Check to ensure there are no leaks at the connections.
	Cool/Cold Water when selecting Hot	This is normal. The washer senses water temperature (on some models) and optimizes for best results. Cold water is added periodically when hot is selected.
	House water heater is not set properly	Make sure house water heater is delivering water at 120°F–140°F (48°C–60°C).
Water pumped out before cycle is complete	Water was left in unit for 24 hours with lid closed or 15 minutes with lid open	Previous cycle has been cancelled. Close lid, select new cycle, and start machine.
Water won't drain	Drain hose is kinked or improperly connected	Straighten drain hose and make sure washer is not sitting on it. Top of drain outlet should be less than 8 ft (2.44 m) above floor.
Washer spins and pauses at the beginning of cycles	This is normal	The washer is sensing the load.

Troubleshooting Tips... Before you call for service

Problem	Possible Causes	What To Do
Speed changes before during and after spin	Washer adjusts speeds over several minutes	This is normal. The washer will automatically adjust speeds before, during and after the spin cycle to most effectively distribute and spin the wash load.
Washer pauses during wash cycle	The Soak Option was chosen	This is normal. The washer alternates between agitate and soak during these cycles to get your clothes cleaner with less wear.
	This is normal	Many cycles incorporate as series of soaks within the agitation period to get your clothes clean with less wear.
Residual powder in dispenser or clogging of dispensers	Wash water too cold or low home water pressure	Select a warmer wash temperature if possible to improve dissolving of detergent or use liquid detergent. Make sure siphon caps are free of debris and fully pressed into position. Remove and clean tray if clogging occurs.
Laundry additives dispensing too soon	Overfilling of dispensers	Do not overfill or add water to dispenser. Select Deep Rinse option when using fabric softener.
Washer pauses during spin cycle	This is normal	The washer may pause during the spin cycle to remove soapy water more efficiently.
Washer won't operate	Washer is unplugged	Make sure cord is plugged securely into a working outlet.
	Water supply is turned off	Turn both hot and cold faucets fully on.
	Lid is open—safety feature prevents agitation and spinning when lid is up	Close lid and press Start .
	Circuit breaker/fuse is tripped/blown	Check house circuit breakers/fuses. Replace fuses or reset breaker. Washer should have a separate outlet.
	Electronics need to be reset	Unplug washer, wait 2 minutes, plug back in and press Start .
	Start was not pressed	Press Start .
Detergent packet not dissolving in Laundry Pack Dispenser chamber	Wash water too cold or detergent packet type/quantity	We recommend the use of High Efficiency  laundry packs such as Tide PODS™ or Gain Flings™. When using delicates cycle, place detergent pack in the bottom of the basket as this will help break down the pack with the gentler agitation. Select a warmer wash temperature. If possible, to improve dissolving of detergent packets. Do not exceed manufacturer's recommended dosing quantity.
Unexplained time and/or settings changes	Changing options (on some models)	This is normal. Several options will change other options to maximize washer performance.
Basket seems loose	Basket moves or rotates freely	Washer basket does not have a traditional brake. Washer basket will move freely. This is normal.
Colored spots on garments	Incorrect use of fabric softener	Check fabric softener package for instructions and follow directions for using dispenser. Make sure you have selected the Deep Rinse option. Pretreat stain and rewash using Speed Wash cycle before drying.
	Dye transfer	Sort whites or lightly colored items from dark colors.
Grayed or yellowed clothes	Detergent amount	Be sure to follow detergent manufacturer's directions.
	Hard water	Use a water conditioner or install a water softener.
	Water is not hot enough	Make sure water heater is delivering water at 120°F–140°F (48°C–60°C).
	Washer is overloaded	Loosely load clothes no higher than the top row of holes in the washer basket. For best results, load items around the outside of the basket.
	Dye transfer	Sort clothes by color. If fabric label states wash separately, unstable dyes may be indicated.
Lint or residue on clothes	Clothes are air or line dried	If you do not dry your clothes with a clothes dryer, your clothes may retain more lint.
	Incorrect sorting	Separate lint producers from lint collectors.
	Washing too long	Wash small loads for a shorter time using Light Soil setting.
	Detergent not dissolving	Rewash, next time: Try a liquid detergent; Use warmer water temperature.
	Overloading	Loosely load clothes in the washer basket. For best results, load items around the outside of the basket.
	Incorrect use of fabric softener	Check fabric softener package for instructions and follow directions for using dispenser. Make sure you have selected the Deep Rinse option.

Troubleshooting Tips... Before you call for service

Problem	Possible Causes	What To Do
Clothes too wet	No spin selected	Select a spin option.
	Incorrect cycle selected	Make sure the cycle selected matches the load you are washing. Some fabrics will feel wetter when rinsed with cold water.
	Wash load out of balance	Redistribute load in washer and run through Drain & Spin cycle.
Blinking Spin light or Spin light on at end of cycle	Out of balance condition has been detected	Allow cycle to continue and finish. If load is wet at the end of the cycle, even out load and run a Drain & Spin cycle.
Pilling	Result of normal wear on poly-cotton blends and fuzzy fabrics	While this is not caused by the washer, you can slow the pilling process by washing garments inside out.
Snags, holes, tears, rips or excessive wear	Pins, snaps, hooks, sharp buttons, belt buckles, zippers and sharp objects left in pockets	Fasten snaps, hooks, buttons and zippers. Remove loose items like pins, objects in pockets and sharp buttons. Turn knits (which snag easily) inside out.
	Undiluted chlorine bleach	Check bleach package instructions for proper amount. Never add undiluted bleach to wash or allow clothes to come in contact with undiluted bleach.
	Chemicals like hair bleach or dye, permanent wave solution	Rinse items that may have chemicals on them before washing. Use Speed Wash cycle with Extra Rinse option.
Wrinkling	Incorrect wash and dry cycles	Match Cycle selection to the type of fabric you are washing (especially for easy care loads).
	Improper sorting	Avoid mixing heavy items (like jeans) with light items (like blouses). Try a fabric softener.
	Overloading	Loosely load clothes in the washer basket.
	Repeated washing in water that is too hot	Wash in warm or cold water.
Sounds	Possible Causes	Reason
“Clicking”	Shifter mechanism is engaging or disengaging	The drive system will engage at the start of agitate and disengage when agitate is complete. This occurs multiple times during the wash.
Back and forth “swoosh”	Electric motor reversing direction	This sound is the motor rotating back and forth to clean your laundry.
“Clicking” behind Control during fill	Automatic Temperature Control Valve	Two valves mix cold and hot water. The “clicking” is when either valve turns on or off to raise or lower the fill water temperature.
Water flow changes during fill	Automatic Temperature Control Valve	Two valves mix cold and hot water. The “clicking” is when either valve turns on or off to raise or lower the fill water temperature.
Motor sounds during spin	Motor ramping up/down during spin cycle	The motor will speed up incrementally during the spin cycle. When spin is complete, it will coast until it stops.
“Humming”	Water drain pump	The drain pump will make a humming sound when pumping out water after agitation stops and continue until spin is complete.
	Drive motor	The drive motor will make a “humming” sound during the wash and spin phases of the cycle.
“Gurgling”	Water drain pump	When the pump starts drawing in air, it starts to gurgle. The washer should then begin spinning and the sound will continue until it is done spinning.
Water “swishing”	Washing process	Water swishing while the unit is agitating is normal, especially with smaller loads.
Washer rocking/moving	Washer leveling legs uneven	To level the washer, adjust the leveling legs by rotating the individual leg in the proper direction for up or down.
“Squeaking” sound	Washer not level and rubbing on cabinet	To level the washer, adjust the leveling legs by rotating the individual leg in the proper direction for up or down.

Washer sounds that may be different from your prior washer:

Clicks, water flowing, gear sounds followed by pauses, and electric hum sounds are all part of the normal wash cycle.

To listen and watch videos of normal washer operation, please go to <http://products.geappliances.com/appliance/gea-support-search-content?contentid=23061> or scan the QR code.



GE Appliances Washer Limited Warranty

LIMITED WARRANTY

GEAppliances.com

All warranty service is provided by our Factory Service Centers, or an authorized Customer Care® technician. To schedule service online, visit us at geappliances.com/service, or call GE Appliances at 800.GE.CARES (800.432.2737). Please have your serial number and your model number available when calling for service.

Servicing your appliance may require the use of the onboard data port for diagnostics. This gives a GE Appliances factory service technician the ability to quickly diagnose any issues with your appliance and helps GE Appliances improve its products by providing GE Appliances with information on your appliance. If you do not want your appliance data to be sent to GE Appliances, please advise your technician not to submit the data to GE Appliances at the time of service.

For the period of	We will replace
One year From the date of the original purchase	Any factory specified part of the washer which fails due to a defect in materials or workmanship. During this limited one-year warranty , we will also provide, free of charge , all labor and related service to replace the defective part.
Ten years From the date of the original purchase	The motor , if it should fail due to a defect in materials or workmanship. During this additional nine-year limited warranty , you will be responsible for any labor and related service costs.

What is not covered:

- Service trips to your home to teach you how to use the product.
- Improper installation, delivery or maintenance.
- Failure of the product if it is abused, misused, or used for other than the intended purpose or used commercially.
- Replacement of house fuses or resetting of circuit breakers.
- Products which are not defective or broken, or which are working as described in the Owner's Manual.
- Damage to the product caused by accident, fire, floods or acts of God.
- Incidental or consequential damage caused by possible defects with this appliance.
- Defects or damage due to operation in freezing temperatures.
- Damage caused after delivery.
- Product not accessible to provide required service.

EXCLUSION OF IMPLIED WARRANTIES

Your sole and exclusive remedy is product repair as provided in this Limited Warranty. Any implied warranties, including the implied warranties of merchantability or fitness for a particular purpose, are limited to one year or the shortest period allowed by law.

In the United States:

This limited warranty is extended to the original purchaser and any succeeding owner for products purchased for home use within the USA. If the product is located in an area where service by a GE Appliances Authorized Servicer is not available, you may be responsible for a trip charge or you may be required to bring the product to an Authorized GE Appliances Service location for service. In Alaska, the limited warranty excludes the cost of shipping or service calls to your home.

Some states do not allow the exclusion or limitation of incidental or consequential damages. This limited warranty gives you specific legal rights, and you may also have other rights which vary from state to state. To know what your legal rights are, consult your local or state consumer affairs office or your state's Attorney General.

Warrantor: GE Appliances, a Haier company, Louisville, KY 40225

In Canada:

This limited warranty is extended to the original purchaser and any succeeding owner for products purchased in Canada for home use within Canada. If the product is located in an area where service by a GE Appliances Authorized Servicer is not available, you may be responsible for a trip charge or you may be required to bring the product to an Authorized GE Appliances Service location.

Some provinces do not allow the exclusion or limitation of incidental or consequential damages. This limited warranty gives you specific legal rights, and you may also have other rights which vary from province to province. To know what your legal rights are, consult your local or provincial consumer affairs office.

Warrantor: MC Commercial Inc., Burlington, ON, L7R 5B6

Extended Warranties: Purchase a GE Appliances extended warranty and learn about special discounts that are available while your warranty is still in effect. You can purchase it online anytime at geappliances.com/extended-warranty

or call 800.626.2224 during normal business hours. GE Appliances Service will still be there after your warranty expires.

Staple your receipt here. Proof of the original purchase date is needed to obtain service under the warranty.

Consumer Support

GE Appliances Website

Have a question or need assistance with your appliance? Try the GE Appliances Website 24 hours a day, any day of the year! You can also shop for more great GE Appliances products and take advantage of all our on-line support services designed for your convenience. In the US: GEAppliances.com.

In Canada: GEAppliances.ca.

Register Your Appliance

Register your new appliance on-line at your convenience! Timely product registration will allow for enhanced communication and prompt service under the terms of your warranty, should the need arise. You may also mail in the pre-printed registration card included in the packing material. In the US: GEAppliances.com/register.

In Canada: Prodsupport.mabe.ca/crm/Products/ProductRegistration.aspx.

Schedule Service

Expert GE Appliances repair service is only one step away from your door. Get on-line and schedule your service at your convenience any day of the year. In the US: GEAppliances.com/service or call 800.432.2737 during normal business hours.

In Canada: GEAppliances.ca/en/support/service-request or call 800.561.3344.

Extended Warranties

Purchase a GE Appliances extended warranty and learn about special discounts that are available while your warranty is still in effect. You can purchase it on-line anytime. GE Appliances Services will still be there after your warranty expires. In the US: GEAppliances.com/extended-warranty or call 800.626.2224 during normal business hours.

In Canada: GEAppliances.ca/en/support/purchase-extended-warranty or call 866.277.9842.

Remote Connectivity

For assistance with wireless network connectivity, in the US visit our website at GEAppliances.com/connect or call 800.220.6899.

In Canada: GEAppliances.ca/connect or call 800.220.6899.

Parts and Accessories

Individuals qualified to service their own appliances can have parts or accessories sent directly to their homes (VISA, MasterCard and Discover cards are accepted). Order on-line today 24 hours every day.

In the US: GEApplianceparts.com or by phone at 877.959.8688 during normal business hours.

In Canada: GEAppliances.ca/en/products/parts-filters-accessories or call 800.661.1616.

Instructions contained in this manual cover procedures to be performed by any user. Other servicing generally should be referred to qualified service personnel. Caution must be exercised, since improper servicing may cause unsafe operation.

Contact Us

If you are not satisfied with the service you receive from GE Appliances, contact us on our Website with all the details including your phone number, or write to:

In the US: General Manager, Customer Relations | GE Appliances, Appliance Park | Louisville, KY 40225
GEAppliances.com/contact or call 800.626.2000

In Canada: Director, Consumer Relations, MC COMMERCIAL INC. | Suite 310, 1 Factory Lane | Moncton, N.B. E1C 9M3
GEAppliances.ca/en/contact-us or call 877.994.5366



LAVEUSES

MESURES DE SÉCURITÉ3

UTILISATION DE LA LAVEUSE
 Comment démarrer 5
 Chargement13

ENTRETIEN ET NETTOYAGE 14

INSTALLATION D'INSTALLATION.....17

CONSEILS DE DÉPANNAGE.....22

GARANTIE LIMITÉE27

SOUTIEN AU CONSOMMATEUR 28

GUIDE DE L'UTILISATEUR ET INSTRUCTIONS D'INSTALLATION

- PTW905
- PTW900
- PTW805
- PTW800
- PTW705
- PTW700
- PTW605
- PTW600

Inscrivez ici les numéros de modèle et de série :

Modèle # _____

Série # _____

Vous pouvez les trouver sous le couvercle de la laveuse.

GO35

NOUS VOUS REMERCIONS D'ACCUEILLIR GE APPLIANCES CHEZ VOUS

Que vous ayez grandi avec GE Appliances ou qu'il s'agisse de votre première acquisition, nous sommes heureux de vous accueillir dans notre famille.

Nous sommes fiers du savoir-faire, de l'innovation et de l'esthétique qui composent chaque appareil GE Appliances, et nous pensons que vous le serez aussi. Dans cette optique, nous vous rappelons que l'enregistrement de votre électroménager vous assure la communication de renseignements importants sur le produit et la garantie lorsque vous en avez besoin.

Enregistrez votre électroménager GE en ligne dès maintenant. Des sites Web et des numéros de téléphone utiles figurent dans la section Soutien au consommateur de ce manuel d'utilisation. Vous pouvez aussi poster la fiche de garantie préimprimée incluse dans l'emballage.



CONSIGNES DE SÉCURITÉ IMPORTANTES

LIRE TOUTES LES CONSIGNES AVANT D'UTILISER L'APPAREIL

▲ AVERTISSEMENT

Pour réduire les risques de décès, d'incendie, d'explosion, de choc électrique ou de blessures lorsque vous utilisez votre appareil, suivez les mesures de sécurité de base, notamment :

- Lisez toutes les instructions avant d'utiliser l'appareil.
- Suivez toutes les instructions et avertissements de soin des tissus pour éviter que les vêtements fondent ou des dommages à l'appareil.
- **NE** nettoyez et **NE** séchez **PAS** d'articles qui ont été nettoyés, lavés, trempés ou tachés avec de l'essence, du solvant pour nettoyage à sec ou d'autres produits combustibles ou substances explosives, car ces derniers peuvent dégager des vapeurs qui pourraient s'enflammer ou exploser.
- **N'ajoutez PAS** de l'essence, du solvant pour nettoyage à sec ou d'autres produits combustibles ou substances explosives à l'eau de lavage. Ces substances peuvent dégager des vapeurs qui pourraient s'enflammer ou provoquer une explosion.
- Dans certaines conditions, de l'hydrogène peut se former dans un circuit d'eau chaude qui n'a pas été utilisé pendant deux semaines ou plus. L'HYDROGÈNE EST UN GAZ EXPLOSIF. Si le circuit d'eau chaude n'a pas été utilisé pendant une telle période, ouvrez tous les robinets d'eau chaude et laissez l'eau couler pendant plusieurs minutes avant d'utiliser votre laveuse. Ainsi, l'hydrogène accumulé sera évacué du système. Ce gaz étant inflammable, **NE** fumez **PAS** et n'utilisez pas de flamme nue pendant cette opération.
- Risque d'étouffement et de blessure par coincement : **NE** laissez **PAS** les enfants jouer sur ou à l'intérieur de cet appareil. La présence d'enfants près de cet appareil lorsqu'il est en marche doit faire l'objet d'une étroite supervision. Avant de mettre la laveuse au rebut ou hors service, retirez la porte ou le couvercle. Le non-respect de ces instructions peut entraîner le décès ou des blessures.
- **NE** mettez **PAS** la main dans l'appareil lorsque le tambour ou l'agitateur est en mouvement pour éviter d'être happé accidentellement.
- Pour les articles imperméables, résistants à l'eau ou volumineux, utilisez seulement le cycle Bulky (articles volumineux) (ou Delicates [tissus délicats]). N'utilisez **PAS** d'autres cycles pour ces articles. L'utilisation d'autres cycles peut causer des vibrations excessives et occasionner des blessures ou des dommages à la laveuse, aux murs ou au plancher. Ne mélangez **PAS** des articles imperméables avec des articles qui ne le sont pas.
- **N'installez** ou n'entrezposez **PAS** cet appareil dans un endroit où il sera exposé aux intempéries.
- **NE** modifiez **PAS** les commandes, ne réparez ou ne remplacez pas de pièce de cet appareil et ne tentez pas d'effectuer une réparation, sauf si cette procédure est recommandée expressément dans les instructions d'entretien de l'utilisateur ou dans les instructions de réparation de l'utilisateur et que vous possédez les connaissances et les aptitudes requises pour le faire.
- **N'utilisez PAS** cet appareil s'il est endommagé, s'il fonctionne mal, s'il est partiellement démonté ou si certaines de ses pièces manquent ou sont cassées (y compris le cordon d'alimentation ou la fiche).
- **N'utilisez PAS** de pièces de rechange qui n'ont pas été recommandées par le fabricant (p. ex., des pièces fabriquées à domicile à l'aide d'une imprimante 3D).
- Débranchez l'appareil ou fermez son disjoncteur avant de procéder à l'entretien. Appuyer sur le bouton d'alimentation **Power** de l'appareil **NE** le déconnecte **PAS** de l'alimentation.
- Consultez la section sur le « BRANCHEMENT ÉLECTRIQUE » des instructions d'installation pour obtenir les procédures de mise à la terre.

Mise au rebut adéquate de votre électroménager

- Veuillez jeter ou recycler votre électroménager conformément aux règlements fédéraux ou locaux. Communiquez avec les instances locales pour en savoir plus sur la mise au rebut ou le recyclage de votre électroménager.

LIRE ET CONSERVEZ CES DIRECTIVES

CONSIGNES DE SÉCURITÉ IMPORTANTES

LIRE TOUTES LES CONSIGNES AVANT D'UTILISER L'APPAREIL

INSTALLATION APPROPRIÉE

Cette laveuse doit être installée conformément aux instructions d'installation avant d'être utilisée.

- Assurez-vous que le boyau d'eau chaude est raccordé au robinet « H » et que le boyau d'eau froide est raccordé au robinet « C ».
- Installez ou entreposez l'appareil à un endroit où il ne sera exposé ni à des températures en dessous du point de congélation ni aux intempéries; l'appareil pourrait subir des dommages permanents et la garantie serait annulée.
- Mettez la laveuse à la terre conformément aux codes et règlements en vigueur. Suivez les instructions détaillées de la section « Instructions d'installation ».
- Assurez-vous que la laveuse est mise de niveau correctement et que ses pieds sont réglés de façon à stabiliser l'appareil.
- Une rallonge de tuyau d'évacuation optionnelle est recommandée pour les hauteurs d'évacuation allant de 60 à 96 po (152,4 à 243,8 cm).
- GE Appliances recommande fortement d'utiliser les pièces spécifiées du fabricant. Une liste de boyaux manufacturés disponibles pour l'achat est indiquée. Ces boyaux ont été fabriqués et testés afin de répondre aux spécifications de GE Appliances.
- GE Appliances recommande fortement d'utiliser de nouveaux boyaux d'alimentation en eau. Les boyaux se dégradent avec le temps et doivent être remplacés tous les cinq ans afin de réduire le risque de bris de boyau et de dégâts d'eau.
- Considérez les options de recyclage des matériaux d'emballage de votre électroménager.

SÉQUENCE DE DÉMARRAGE

- À chaque démarrage ou redémarrage suite à l'ouverture ou la fermeture du couvercle, la laveuse ouvre le robinet d'eau froide ou pompe de vidange durant deux courtes périodes suivies d'une pause de 10 secondes avant de poursuivre. Si le couvercle est ouvert pendant cette période, la laveuse effectuera une pause. Il vous faudra appuyer sur le bouton **Start** (départ) pour redémarrer le programme.

SÉQUENCE DE VIDANGE AUTOMATIQUE

- L'appareil se vidangera automatiquement à chaque fois que le couvercle est laissé ouvert pour plus de 15 minutes et que de l'eau est présente.
- L'appareil se vidangera automatiquement s'il est laissé en état de pause avec couvercle fermé pour plus de 24 heures et que de l'eau est présente.
- Lorsque la laveuse est en mode de WATER STATION (trempage et prétraitement des vêtements), la vidange s'effectuera automatiquement après avoir tourné le bouton de cycle vers un autre cycle. Sur certains modèles, cette fonction sera disponible avec l'application SmartHQ de GE Appliances.

LORSQUE L'APPAREIL N'EST PAS UTILISÉ

- Fermez les robinets d'eau pour réduire les fuites en cas de tuyau cassé. Vérifiez l'état des tuyaux de remplissage. GE Appliances recommande de les remplacer tous les 5 ans.

PIÈCES ET ACCESSOIRES

Consultez votre annuaire local pour un détaillant de pièces autorisé ou appelez-nous au **1-800-661-1616**.

WH49X301
PM7X2

Rallonge de tuyau d'évacuation
Plateau de plancher pour laveuse

Numéro de pièce Accessoire

PM14X10002 Boyaux d'alimentation en eau en caoutchouc de 4 pi (1,2 m)

Ou

PM14X10005 Boyaux d'alimentation en eau de type tressé de 4 pi (1,2 m)

LIRE ET CONSERVEZ CES DIRECTIVES

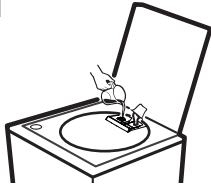
Comment démarrer

⚠ AVERTISSEMENT

Pour réduire le risque d'incendie, de choc électrique ou de blessure, lisez les **IMPORTANTES CONSIGNES DE SÉCURITÉ** avant de faire fonctionner cet appareil.

Les caractéristiques et l'apparence de la laveuse montrée dans ce manuel peuvent varier selon le modèle.

Étape 1



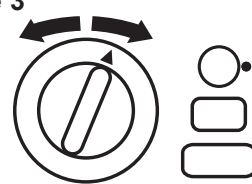
- Ajoutez de l'assouplissant dans le distributeur d'assouplissant. **IMPORTANT** : Pour l'utilisation du détergent, voyez la section relative au distributeur de ce manuel concernant votre modèle.
- Si vous utilisez des sachets de détergent, ajoutez-les dans le compartiment de distribution pour sachets de détergent ou placez-les sur le fond du panier de lavage avant d'ajouter les vêtements. Nous recommandons l'utilisation de sachets de détergent à haute efficacité tels que Tide PODS™ ou Gain Flings™.

Étape 2



- Chargez le linge sans le tasser en le répartissant autour de l'agitateur ou l'Infusor. Charger trop de linge peut avoir un impact négatif sur la performance de lavage. Consultez la page 13 pour obtenir des suggestions de chargement.
- Si vous n'utilisez pas un distributeur, ajoutez la quantité de détergent recommandée par le fabricant sur le dessus de la brassée après avoir ajouté les vêtements. Nous recommandons l'utilisation de détergents à haute efficacité tels que Tide dans votre laveuse éconergétique.

Étape 3



- Fermez le couvercle. **REMARQUE** : La laveuse ne démarrera pas avec le couvercle ouvert dans le cycle Bulky (Articles volumineux).
- Sélectionnez un programme de lavage.
- Sélectionnez les options de lavage, y compris Deep Rinse (rinçage en profondeur) lors de l'utilisation d'un assouplissant.
- Sélectionnez des options.

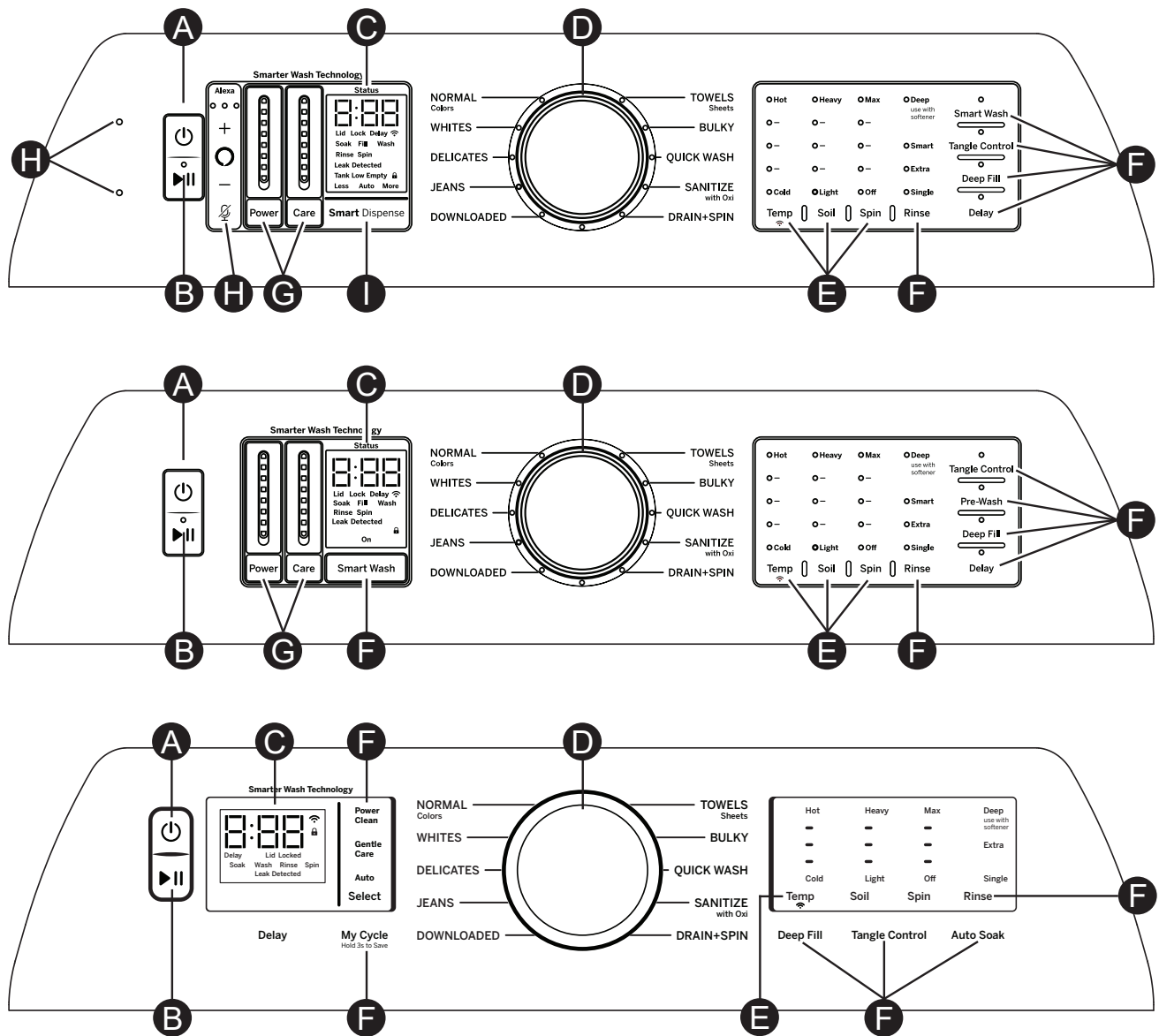
Étape 4



- Appuyez sur Start (départ).

Comment démarrer

Les caractéristiques et l'apparence varieront.



A Power (alimentation)

Appuyez pour activer l'affichage. Si l'affichage est activé, appuyez sur cette touche pour mettre la laveuse en mode veille.
REMARQUE : L'alimentation électrique de l'appareil n'est pas coupée lorsque vous appuyez sur **Power** (alimentation).

B Start/Pause (départ/pause)

Appuyez sur **Start** (départ) pour lancer le programme. **REMARQUE** : À moins que le cycle **Bulky** (articles volumineux) ne soit sélectionné, le couvercle doit être fermé pour que la laveuse puisse démarrer le cycle. Si le couvercle est ouvert, « Lid » (couvercle) défile sur l'affichage. Pendant la phase de détection de charge du cycle, le couvercle se verrouille et le mot « SEnSing » (détection) défile sur l'écran. Une fois la détection de charge terminée, le couvercle se déverrouille.

Une pression sur **Pause** déverrouillera le couvercle (s'il est verrouillé à ce moment), le programme en pause et le voyant **Start** (départ) clignotera. Pour relancer le programme, appuyez de nouveau sur la touche **Start** (départ). S'il reste de l'eau dans la laveuse, sélectionnez le programme **Drain & Spin** (drainer et essorer) pour évacuer l'eau et la vidanger. **REMARQUE** : L'appareil annule automatiquement son fonctionnement et vidange l'eau lorsque celle-ci est présente et que le couvercle est laissé ouvert durant plus de 15 minutes, ou si l'appareil est laissé en état de pause durant 24 heures. Sélectionnez le cycle et appuyez sur **Start** (démarrer) pour commencer un nouveau cycle.

Comment démarrer

Voyants d'affichage et de progression

Affichage : La durée restante **estimée** avant la fin du programme s'affiche. **REMARQUE** : La durée du programme est affectée par la durée de remplissage de la laveuse. Cela dépend de la pression de l'alimentation en eau de votre domicile. La taille de la brassée influe aussi d'une manière significative sur la durée du cycle, les plus volumineuses prenant davantage de temps.

De plus, l'état de progression de la laveuse défile à l'écran :

- **bALAnCIng (rééquilibrage)** : Au début du programme de rééquilibrage visant à mieux répartir la charge. S'arrête une fois le rééquilibrage effectué.
- **dELAY (différé)** : Quand la fonction **Delay Wash (lavage différé)** est sélectionnée. Remplacé par la durée estimée lorsque le programme débute.
- **End (fin)** : Fin du programme actuel.
- **FILL (remplissage)** : « FILL » (remplissage) défilera sur l'affichage pendant le remplissage. Après quoi s'affiche une estimation de la durée du cycle.
- **H2O SUPPLY (alimentation en eau)** : Il n'est pas possible de détecter le niveau d'eau (alimentation en eau est potentiellement fermés).
- **Lid (couvercle)** : Arrêt du programme en raison de l'ouverture du couvercle. Fermez celui-ci et appuyez sur le bouton **Start** si nécessaire.
- **SEnSing (détection de la charge)** : Détection d'une condition de déséquilibre, d'articles imperméables, ou de la taille et du type de brassée avant et durant le remplissage (normal).
- **PAUSE** : Le cycle a fait une pause suite à l'ouverture du couvercle pendant la séquence de démarrage ou suite à la pression du bouton **Start/Pause**. Appuyez de nouveau sur le bouton **Start** (départ) pour relancer le programme.

Voyants de progression du programme : Il indique si la laveuse est en mode **Pre-wash** (Prélavage), **Delay** (différé), **Fill** (remplissage), **Soak** (trempage), **Wash** (lavage), **Rinse** (rinçage) ou **Spin** (essorage). **REMARQUE** : Les voyants d'état du cycle varient selon le modèle.

Si une condition de déséquilibre est détectée par la laveuse, le voyant d'essorage (Spin) clignotera pendant le restant du cycle et restera allumé pendant une courte période de temps après que le cycle soit terminé. Lorsque cela se produit, la laveuse prend des mesures pour corriger la condition de déséquilibre et de terminer le cycle normalement. Dans certains cas, il est possible que la laveuse ne puisse pas être en mesure d'équilibrer la charge et essorer à pleine vitesse. Si vous remarquez que la charge est plus humide que normalement à la fin du cycle, répartissez la charge uniformément dans le panier de lavage et commencez un cycle de **Drain & Spin** (drainer et essorer).

Les voyants de progression des fonctions indiquent ce qui suit (consultez les sections **F** et **G** pour plus de détails) :

|| Pause - S'affiche lorsque la laveuse se met en pause entre les cycles.

🔒 Controls (Les contrôles) - La laveuse est verrouillée - le voyant clignotera une fois si vous appuyez sur un bouton ou si vous tournez le bouton de sélection de programme.

🔒 Lid Lock (Le couvercle est verrouillé) - Consultez la section **Control Lock** (verrouillage des commandes).

📶 WiFi (certains modèles) - S'affichera lorsque la laveuse est connectée au réseau WiFi. Clignotera lorsque vous tentez de connecter l'appareil au réseau WiFi de votre domicile.

Spin Stop (Arrêt de l'essorage) – Signale que le tambour est sur le point de s'immobiliser suite à un essorage. Le couvercle ne se déverrouillera que si le tambour s'est totalement immobilisé.

Indicateur d'aide au consommateur

Votre laveuse est équipée d'un Indicateur d'aide au consommateur (IAC). L'IAC est notre façon de communiquer une solution simple dans certaines situations où un appel de service n'est pas nécessaire. Le tableau ci-dessous décrit les messages utiles qui peuvent défiler sur votre affichage lorsque vous retournez pour laver une autre charge. Ces messages présentent des solutions simples que vous pouvez exécuter rapidement.

Spin (Une lumière clignotante de spin)	Si une condition de déséquilibre est détectée par la laveuse, le voyant d'essorage (Spin) clignotera pendant le restant du cycle et restera allumé pendant une courte période de temps après que le cycle soit terminé. Lorsque cela se produit, la laveuse prend des mesures pour corriger la condition de déséquilibre et de terminer le cycle normalement. Dans certains cas, il est possible que la laveuse ne puisse pas être en mesure d'équilibrer la charge et essorer à pleine vitesse. Si vous remarquez que la charge est plus humide que normalement à la fin du cycle, répartissez la charge uniformément dans le panier de lavage et commencez un cycle de Drain & Spin (drainer et essorer).
"H2O SUPPLY" (Alimentation d'eau dans la laveuse)	Vérifiez l'alimentation d'eau de votre domicile. Avez-vous oublié d'ouvrir un ou les deux robinets d'admission d'eau après l'installation ou au retour de vacances? Aussitôt que le message commence à défiler, la laveuse lance une période de verrouillage de 4 minutes. Les commandes de la laveuse ne répondront pas durant cette période ni ne pourront être changées. Après 4 minutes, vous pouvez redémarrer votre cycle. Si vous tentez d'outrepasser la période de verrouillage en débranchant la laveuse, la minuterie de 4 minutes se mettra en marche de nouveau.
"CAnCELED" (Annulé)	"CAnCELED" (Annulé) peut défiler sur l'affichage si la machine a été mise en pause pendant plus de 24 heures ou si la machine s'est arrêtée par elle-même en raison de certaines erreurs avant que le cycle soit fini. Dès que le message commence à défiler, la laveuse va initier une période de verrouillage « lock-out » pour une durée de 4 minutes. Les commandes de la laveuse ne répondront pas (ni ne pourront être changées) durant cette période. Après les 4 minutes, vous pouvez redémarrer votre cycle. Si vous tentez d'outrepasser la période de verrouillage en débranchant la laveuse, la minuterie de 4 minutes se mettra de nouveau en marche. Si le problème persiste appelez 800.561.3344 pour le service.
"Lid" (Couvercle)	"Lid" (Couvercle) sera affiché sur l'écran si 3 cycles ont été commencés sans ouvrir le couvercle. La laveuse ne commencera pas un autre cycle jusqu'à ce que le couvercle sera ouvert. Essayez d'ouvrir, puis fermez le couvercle et commencez un nouveau cycle. Si le problème persiste, appelez 800.561.3344 pour le service.

Comment démarrer

D Programmes de lavage - Bouton de sélection de programme

Le programme de lavage commande le type de processus de lavage. Le bouton de sélection de programme peut être tourné vers la droite ou la gauche. La rotation du bouton de sélection de programme après le début d'un programme arrête la laveuse et règle le programme/les options sur le nouveau programme sélectionné. Appuyez sur **Start** (départ) pour lancer le nouveau programme sélectionné.

Le tableau ci-dessous vous aidera à apparier les articles à laver avec les meilleurs réglages des cycles de lavage. Pour un rendement optimal, sélectionnez le cycle qui s'approche le plus des articles à laver.

Les sélections et les options en **gras** sont les réglages du cycle recommandés.

Certains cycles et options ne sont pas offerts sur tous les modèles.

Downloaded (Cycles téléchargés)

Utilisez l'application SmartHQ pour télécharger des cycles supplémentaires dans votre laveuse. Le cycle par défaut est **Active Wear** (Tenue active) (voir le tableau des cycles ci-dessous).

Articles à laver	Cycle	Temp. Lavage	Degré saleté	Sélection essorage	Options désactivées	Description du cycle
Cycle pour une utilisation normale, régulière ou typique pour le lavage jusqu'à une charge complète de vêtements de coton normalement sale.	Couleurs Normal	Très chaude Chaude Couleurs Fraîche Froide Froide du robinet	Très sale Très sale (-) Normal Légèrement (+) Légèrement	Max. ++ + Normal Désactivé	Remplissage profond	Cycle pour une utilisation normale, régulière ou typique pour le lavage jusqu'à une charge complète de vêtements de coton normalement sale. Choisissez les options de degré de saleté Très sale ou Extrêmement sale et les températures Chaude ou Très chaude selon la charge de vêtements et le degré de nettoyage à obtenir. Comprend des périodes de remplissage et de lavage en plusieurs phases afin de procurer un traitement optimal des tissus.
Pour la lingerie fine et les tissus à entretien spécial, légèrement à sales.	Tissus délicats	Très chaude Chaude Couleurs Fraîche Froide Froide du robinet	Très sale Très sale (-) Normal Légèrement (+) Légèrement	Max. ++ + Normal Désactivé	Contrôle de l'enchevêtrement	Utilise une séquence d'agitation « tri-pulse » exclusive très délicate et une vitesse d'essorage faible pour procurer un traitement spécial aux tissus délicats. Il est recommandé de placer les articles très délicats ou petits dans des sacs en filet avant le lavage.
Petites charges d'articles légèrement sales dont on a un besoin pressant.	Lavage rapide	Très chaude Chaude Couleurs Fraîche Froide	Très sale Très sale (-) Normal Légèrement (+) Légèrement	Max. ++ + Normal Désactivé	Rien	Utilise une séquence de brassage plus intense et une période de lavage accélérée de nettoyage les petites charges légèrement sales le plus rapidement possible.
Charge d'articles mouillés. Pour les articles qui n'ont besoin que de rinçage, utilisez ce cycle avec l'option Deep Rinse (Rinçage en profondeur).	Drainer et essorer			Max. ++ + Normal Désactivé	Nettoyage puissant Soins délicats Contrôle de l'enchevêtrement Trempage automatique Lavage intelligent Rinçage intelligent Prélavage Distribution intelligente	Utilise un essorage à haute vitesse pour extraire l'eau des articles mouillés. Pour les articles qui doivent être rincés, utilisez ce cycle avec l'option Deep Rinse (Rinçage en profondeur).
Articles de couleur foncée très sales.	Désinfecter avec Oxi*	Chaude	Très sale	Max. ++ +	Nettoyage puissant Soins délicats Contrôle de l'enchevêtrement Trempage automatique Lavage intelligent Rinçage intelligent Prélavage Distribution intelligente	Ce cycle utilise un remplissage d'eau initial plus bas pour procurer une désinfection très concentrée à haute température suivie d'une étape de lavage pour vêtement très sale. Une purge par pompe et un rinçage en profondeur sont inclus pour retirer les contaminants. Voyez les renseignements supplémentaires ci-dessous.
Jeans de saleté modérée à légère.	Jeans	Très chaude Chaude Couleurs Fraîche Froide Froide du robinet	Très sale Très sale (-) Normal Légèrement (+) Légèrement	Max. ++ + Normal Désactivé	Rien	Combine des niveaux d'eau supérieurs, une séquence de brassage spéciale ainsi que des périodes de lavage en plusieurs phases afin de traiter les jeans de saleté modérée à légère.
Les articles résistants à l'eau, la literie et les articles volumineux, tels que manteaux épais, sur matelas et tapis de bain.	Articles volumineux	Très chaude Chaude Couleurs Fraîche Froide Froide du robinet	Très sale Très sale (-) Normal Légèrement (+) Légèrement	Max. ++ + Normal Désactivé	Contrôle de l'enchevêtrement	Procure un niveau d'eau Deep Fill/max fill (remplissage profond/max) pour laver les articles volumineux et les articles imperméables. Intègre aussi un rinçage Deep Fill pour rincer efficacement les articles volumineux et une vitesse de rotation basse appropriée à ces articles. Utilisez seulement ce cycle pour les articles résistants à l'eau, la literie ou les Bulky (articles volumineux).

Comment démarrer

D Programmes de lavage - Bouton de sélection de programme

Articles à laver	Cycle	Temp. Lavage	Degré saleté	Sélection essorage	Options désactivées	Description du cycle
Serviettes, draps	Serviettes / draps	Très chaude Chaude Couleurs Fraîche Froide Froide du robinet	Très sale Très sale (-) Normal Légèrement (+) Légèrement	Max. ++ + Normal Désactivé	Rien	Cycle conçu pour laver les serviettes et les draps, utilisant un niveau d'eau plus élevé afin de nettoyer efficacement ces articles. Il est recommandé de laver les serviettes et les draps séparément pour les meilleurs résultats d'entretien et de lavage. Pour les couvre-lits imperméables, utilisez le cycle pour Bulky (articles volumineux).
Blancs et linge de maison	Blancs	Très chaude Chaude Couleurs Fraîche Froide Froide du robinet	Très sale Très sale (-) Normal Légèrement (+) Légèrement	Max. ++ + Normal Désactivé	Rien	Cycle adapté à nettoyer et à faire vos blancs plus brillants.
Divers tissus spécialisés	Téléchargé	Reportez-vous à l'application SmartHQ				Cycles spécialisés via l'application SmartHQ. Tenue active par défaut.
Vêtements de sport de saleté modérée à légère de tissus techniques et synthétiques.	Tenue active (Téléchargé) Par défaut	Très chaude Chaude Couleurs Fraîche Froide Froide du robinet	Très sale Très sale (-) Normal Légèrement (+) Légèrement	Max. ++ + Normal Désactivé	Rien	Cycle par défaut pour la position Downloaded (téléchargé). Cycle conçu pour l'entretien des tenues actives, des vêtements de sport et des tissus techniques de saleté modérée à légère. Comprend une période de lavage en deux phases afin de bien traiter la saleté et les odeurs corporelles.

⚠ AVERTISSEMENT

Le non-respect de ces instructions à la lettre peut entraîner une vibration anormale et un déséquilibre pouvant entraîner des blessures corporelles, des dommages matériels et/ou des dommages à l'appareil.

Pour les articles imperméables, résistants à l'eau ou volumineux :

- Utilisez seulement le cycle **Bulky** (articles volumineux) (ou **Delicates** [tissus délicats]).
- L'utilisation d'autres cycles peut causer des vibrations excessives et ainsi occasionner des blessures ou des dommages à la laveuse, aux murs ou au plancher.
- Ne mélangez pas des articles imperméables avec des articles qui ne le sont pas.
- Lisez le manuel du propriétaire pour de l'information détaillée sur le cycle du lavage.

*Sanitize with Oxi (Désinfecter avec Oxi)

Le cycle **Sanitize with Oxi** (Désinfecter avec Oxi) est conçu pour éliminer 99,9% des bactéries présentes dans les vêtements à laver si un additif Oxi est utilisé avec votre détergent. Mesurer le détergent et les produits Oxi attentivement. En utilisant les quantités appropriées pour une grande charge très sale, dans une laveuse à chargement par le haut, suivez les instructions sur l'étiquette du détergent et du produit Oxi. Pour le cycle **Sanitize With Oxi** (Désinfecter avec Oxi) seulement, ajoutez les vêtements en premier puis placez le détergent et le produit Oxi directement sur le dessus de la charge. Placez le produit Oxi directement dans le fond du tambour de lavage, avant d'ajouter les vêtements. Le robinet d'alimentation en eau chaude doit fournir un minimum de 120° F pour assurer l'efficacité de ce cycle.

NOTE: La température par défaut de l'eau du cycle **Sanitize With Oxi** (Désinfecter avec Oxi) NE peut pas être changée.

E Réglages

Vous pouvez attribuer des réglages individuels allant de minimum (le plus bas de la colonne) à maximum (le plus haut de la colonne) pour la température de l'eau (**Temp**), le brassage saleté (**Soil**), et l'essorage (**Spin**).

REMARQUE : L'allongement des temps d'essorage réduisent généralement le temps de séchage/de consommation d'énergie (c.-à-d. qu'elles diminuent la consommation totale d'énergie dans le cas de l'utilisation combinée d'une laveuse et d'une sècheuse).

Temperature Selection						Soil Selection					Spin Selection					
Tap Cold	Cold	Cool	Warm	Hot		Light	Light +	Normal	Heavy -	Heavy	Off	Normal	+	++	Max	
<input type="radio"/> Hot	<input type="radio"/> Hot	<input type="radio"/> Hot	<input type="radio"/> Hot	<input type="radio"/> Hot	<input type="radio"/> Hot	<input type="radio"/> Heavy	<input type="radio"/> Heavy	<input type="radio"/> Heavy	<input type="radio"/> Heavy	<input type="radio"/> Heavy	<input type="radio"/> Max	<input type="radio"/> Max	<input type="radio"/> Max	<input type="radio"/> Max	<input type="radio"/> Max	
<input type="radio"/> Warm	<input type="radio"/> Warm	<input type="radio"/> Warm	<input type="radio"/> Warm	<input type="radio"/> Warm	<input type="radio"/> Warm	<input type="radio"/> Heavy -	<input type="radio"/> Heavy -	<input type="radio"/> Heavy -	<input type="radio"/> Heavy -	<input type="radio"/> Heavy -	<input type="radio"/> ++	<input type="radio"/> ++	<input type="radio"/> ++	<input type="radio"/> ++	<input type="radio"/> ++	
<input type="radio"/> Colors	<input type="radio"/> Colors	<input type="radio"/> Colors	<input type="radio"/> Colors	<input type="radio"/> Colors	<input type="radio"/> Colors	<input type="radio"/> Normal	<input type="radio"/> Normal	<input checked="" type="radio"/> Normal	<input type="radio"/> Normal	<input type="radio"/> Normal	<input type="radio"/> +	<input type="radio"/> +	<input checked="" type="radio"/> +	<input type="radio"/> +	<input type="radio"/> +	
<input type="radio"/> Cool	<input type="radio"/> Cool	<input checked="" type="radio"/> Cool	<input type="radio"/> Cool	<input type="radio"/> Cool	<input type="radio"/> Cool	<input type="radio"/> Light +	<input checked="" type="radio"/> Light +	<input type="radio"/> Light +	<input type="radio"/> Light +	<input type="radio"/> Light +	<input type="radio"/> Normal	<input checked="" type="radio"/> Normal	<input type="radio"/> Normal	<input type="radio"/> Normal	<input type="radio"/> Normal	
<input type="radio"/> Cold	<input checked="" type="radio"/> Cold	<input type="radio"/> Cold	<input type="radio"/> Cold	<input type="radio"/> Cold	<input type="radio"/> Cold	<input type="radio"/> Light	<input checked="" type="radio"/> Light	<input type="radio"/> Light	<input type="radio"/> Light	<input type="radio"/> Light	<input type="radio"/> Off	<input checked="" type="radio"/> Off	<input type="radio"/> Off	<input type="radio"/> Off	<input type="radio"/> Off	
<input type="radio"/> Tap Cold	<input type="radio"/> Tap Cold	<input type="radio"/> Tap Cold	<input type="radio"/> Tap Cold	<input type="radio"/> Tap Cold	<input type="radio"/> Tap Cold	<input type="radio"/> Light	<input type="radio"/> Light	<input type="radio"/> Light	<input type="radio"/> Light	<input type="radio"/> Light	<input type="radio"/> Off	<input type="radio"/> Off	<input type="radio"/> Off	<input type="radio"/> Off	<input type="radio"/> Off	

Comment démarrer

F Options de programmes

Deep Fill (Remplissage profond)

Sélectionnez la fonction de **Deep Fill** (Remplissage profond) pour des charges où de l'eau supplémentaire est souhaitée. La fonction de remplissage profond est recommandée pour des charges spéciales seulement, et non pour une utilisation habituelle. Pressez et relâchez le bouton **Deep Fill** une fois avant de démarrer le cycle afin d'ajouter 3 gallons (11,5 litres) d'eau à la brassée. Une pression de 3 secondes sur le bouton **Deep Fill** (Remplissage profond) procure le plus profond remplissage possible; la durée du cycle en sera augmentée en raison du temps requis pour remplir la laveuse.

Pour annuler l'option au besoin, appuyez sur le bouton **Deep Fill** (Remplissage profond) de nouveau.

REMARQUE : On peut aussi appuyer sur le bouton **Deep Fill** (Remplissage profond) une fois le remplissage terminé et la phase de lavage commencée si l'on souhaite un supplément d'eau. Pour arrêter le remplissage supplémentaire, appuyez sur le bouton **Deep Fill** (Remplissage profond) de nouveau et l'apport d'eau cessera.

Power Pre-wash (prélavage puissant) (certains modèles)

Cette option commence par un lavage bref, un trempage de 5 minutes, puis une vidange avant le démarrage du cycle choisi.

Tangle Control™ (Contrôle de l'enchevêtrement) (certains modèles)

Cette option ajuste le cycle de lavage pour prévenir l'enchevêtrement. Le temps du cycle peut augmenter si cette option est choisie. **REMARQUE** : Cette option n'est pas autorisée avec certains cycles.

Auto Soak (Auto trempage)

Cette option débute par un bref brassage, fait tremper le linge pendant une durée précisée, puis passe au reste du cycle automatiquement. Appuyer sur le bouton **Soak** à répétition fera défiler les sélections à 15 minutes, 30 minutes, 1 heure et 2 heures pour retourner ensuite à 0 minute.

Deep Rinse (Rinçage en profondeur)

Sélectionnez cette option pour obtenir un rinçage en profondeur ou lorsque vous ajoutez l'assouplissant. Elle peut modifier d'autres réglages (l'essorage **Spin** peut passer à une vitesse plus élevée) pour optimiser la performance. Option disponible avec tous les cycles de lavage.

Delay Wash (Lavage différé)

À mesure que vous appuyez sur le bouton **Delay Wash** (lavage différé), le départ différé se règle de 1 (01H) à 9 (09H) heures, puis retourne à zéro (00H). Si vous maintenez **Delay Wash** (lavage différé) enfoncé pendant 3 secondes, il se réinitialise immédiatement.

Extra Rinse (Rinçage supplémentaire)

Lorsque vous utilisez du détergent supplémentaire ou de l'agent de blanchiment pour laver le linge très sale, sélectionnez l'option **Extra Rinse** (rinçage supplémentaire) pour mieux éliminer les résidus. **REMARQUE** : Cette option ne peut être utilisée avec certains programmes.

Smart Wash (Lavage intelligent) (certains modèles)

Lorsque l'option **Smart Wash** (Lavage intelligent) est activée, un capteur détectera automatiquement le niveau de saleté de la charge et ajustera le cycle de lavage en conséquence (en ajoutant ou en réduisant les durées d'agitation ou de trempage) afin d'obtenir une excellente performance de lavage tout en réduisant l'usure.

Smart Rinse (Rinçage intelligent) (certains modèles)

L'option **Smart Rinse** (Rinçage intelligent) détecte le niveau de saleté et la quantité de détergent du cycle de lavage en cours et détermine l'ajout nécessaire d'eau afin d'assurer le rinçage complet des tissus et en préserver l'état neuf le plus longtemps possible.

My Cycle Settings (Mes réglages de cycle) (certains modèles)

À mesure que vous tournez le bouton de sélection des cycles, les options **Soil** (saleté), **Temp** (temp) et **Spin** (essorage) changent pour revenir aux réglages automatiques par défaut. Si vous souhaitez un réglage différent, sélectionnez les options ou les modifications désirées pour les réglages du cycle, puis maintenez enfoncé le bouton **My Cycle** durant 3 secondes pour les mémoriser. Le bouton **My Cycle** s'allume lorsqu'il est activé. Lorsque vous tournerez le sélecteur à ce cycle à l'avenir, vos réglages seront automatiquement rappelés. Pour rétablir les réglages d'usine par défaut temporairement (c.-à-d. pour cette charge), appuyez sur le bouton **My Cycle** durant ½ seconde. Le voyant **My Cycle** s'éteindra et les réglages par défaut se chargeront. Ce sont cependant vos réglages **My Cycle** qui se chargeront à la prochaine utilisation de cette fonction. Si vous souhaitez rétablir les réglages d'usine par défaut d'une façon permanente pour ce cycle, maintenez enfoncé le bouton **My Cycle** durant 3 secondes lorsque ce bouton sera actif (allumé). Les réglages par défaut seront alors chargés et le voyant s'éteindra. Les réglages par défaut se chargeront lors de la sélection de ce cycle à l'avenir et le voyant **My Cycle** restera éteint. **REMARQUE** : La fonction **My Cycle** sauvegarde les options suivantes : **Temp**, **Soil**, **Spin**, **Extra Rinse**, **Deep Fill**, **Auto Soak**, **Deep Rinse**, **Tangle Control**, **Auto**, **Power Clean** et **Gentle Care**.

Sound (volume sonore) (certains modèles)

Utilisez le bouton Volume pour changer le volume du signal de fin de cycle et les autres signaux sonores du système. Appuyez sur le bouton jusqu'à atteindre le volume désiré (élevé, moyen, bas) ou l'absence de volume. Sur certains modèles, cette fonction sera disponible avec l'application SmartHQ de GE Appliances.

Control Lock (verrouillage de commande)

Utilisez le verrouillage des commandes avant ou durant un cycle pour empêcher l'exécution de sélections.

Pour verrouiller/déverrouiller le commande de la laveuse, maintenez **Rinse** (rinçage) et **Spin** (essorage) enfoncé pendant 3 secondes. L'icône de verrouillage des commandes s'allume lorsque cette fonction est activée.

REMARQUE : Le bouton **Power** (alimentation) peut toujours être utilisé lorsque la machine est verrouillée.

Comment démarrer

G Nettoyage puissant et soins délicats (certains modèles)

La fonction **Auto** procure un équilibre entre la performance du lavage, le soin des tissus et le temps de cycle pour les brassées normalement ou légèrement sales.

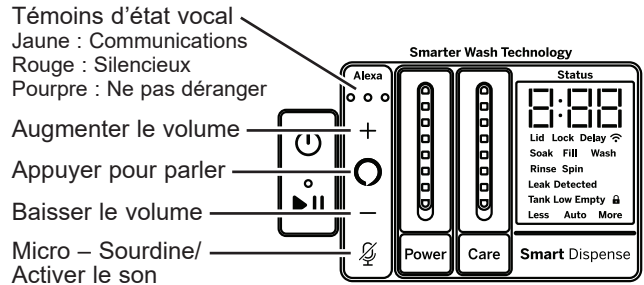
La fonction **Gentle Care** (soins délicats) réduit le temps d'agitation et ajoute une série de trempages afin de réduire l'usure ou la décoloration des tissus tout en procurant une bonne performance de lavage pour les vêtements qui nécessitent un soin spécial.

Utilisez **Power Clean** (nettoyage puissant) pour ajouter une agitation et un trempage intenses afin d'augmenter la performance du lavage pour les brassées qui exigent un nettoyage en profondeur.

H Assistant vocal Alexa (PTW905 et PTW900 modèles seulement)

Un assistant vocal Alexa est incorporé à votre laveuse. Lorsqu'elle est connectée à votre application SmarthQ, vous pourrez utiliser une commande vocale pour régler automatiquement votre laveuse pour qu'elle puisse éliminer les taches rebelles ou régler adéquatement de cycle de lavage selon les tissus. Lorsque jumelée à une sècheuse compatible, vous pourrez aussi régler votre sècheuse pour qu'elle sèche adéquatement les différentes sortes de tissus. Consultez l'étiquette à l'intérieur du couvercle de la laveuse pour savoir comment utiliser l'assistant vocal selon votre lessive. Téléversez votre application SmarthQ et connectez votre laveuse pour régler votre commande vocal Alexa incorporée.

Alexa et toutes les marques associées sont des marques de commerce d'Amazon.com, Inc. ou ses sociétés affiliées.



I SmartDispense™ (Distribution intelligente) (PTW905, PTW900, PTW805 et PTW800 modèles seulement)

Cette fonction ajoute automatiquement du détergent au lavage, éliminant le besoin de l'ajouter pour chaque brassée.

La sélection de la quantité de détergent sur le panneau de commande s'affiche à AUTO (automatique) par défaut lors de la première mise sous tension de la laveuse. Lorsque AUTO est sélectionné, la quantité de détergent nécessaire pour chaque brassée est automatiquement déterminée en fonction de la charge détectée par l'appareil.



Si l'on souhaite sélectionner manuellement la quantité de détergent pour une brassée particulière, il s'agit de presser le bouton **Select** sur le panneau de commande **Smart Dispense** (distribution intelligente) pour choisir entre **Less** (moins) ou **More** (plus) de détergent. **Less** (moins) va fournir moins de détergent que **Auto** et **More** (plus) en fournira plus que **Auto**.

On peut désactiver la fonction **Smart Dispense** en pressant le bouton **Select** sur le panneau de commande **Smart Dispense** jusqu'à sélectionner **Off** (arrêt).

REMARQUE : La **SmartDispense** (Distribution intelligente) n'est pas disponible pour tous les cycles. Si le voyant **Off** est allumé et que presser **Select** cause l'émission de bips, alors **Smart Dispense** n'est pas permis pour le cycle choisi. Le détergent devra être ajouté directement dans le panier de lavage pour ces cycles.

Ajout de détergent au distributeur intelligent SmartDispenser™ (PTW905, PTW900, PTW805 et PTW800 modèles seulement)

Cet appareil est doté d'un réservoir de détergent en vrac pouvant contenir environ 75 onces de détergent liquide pour votre commodité. C'est assez de détergent pour couvrir 50 brassées moyennes, chiffre pouvant varier selon les quantités sélectionnées.



Lorsque le voyant **Tank Low** (réservoir bas) ou **Tank Empty** (réservoir vide) est allumé, plus de détergent doit être ajouté au réservoir pour assurer la disponibilité de détergent pour le prochain cycle.

L'orifice de remplissage du réservoir de détergent est situé sur l'avant gauche de la laveuse. Pour remplir ce réservoir, ouvrez d'abord le couvercle du réservoir en le tournant dans le sens des aiguilles d'une montre. Versez ensuite le détergent **LIQUIDE** dans l'ouverture jusqu'à atteindre le niveau de l'indicateur **MAX** situé à l'intérieur de l'orifice de remplissage, aussi indiqué par une ligne horizontale près du mot **MAX**. Le remplissage jusqu'au niveau **MAX** fournira du détergent pour environ 50 brassées moyennes.

REMARQUE : Il n'est pas nécessaire de vider le système de distribution intelligente si l'on souhaite changer de type de détergent. Il suffit d'ajouter le nouveau type de détergent qui ne sera cependant distribué que lorsque l'ancien sera épuisé.

REMARQUE : Dans l'éventualité d'un versement excessif de javellisant au chlore ou se retrouvant autrement dans le réservoir de détergent, veuillez suivre les instructions de la rubrique **Nettoyage du réservoir de détergent** dans la section **Entretien et nettoyage** afin de réduire la possibilité d'abîmer les vêtements. Si seulement quelques gouttes de javellisant se retrouvent dans le réservoir de détergent, il n'est pas nécessaire de rincer le réservoir.

Comment démarrer

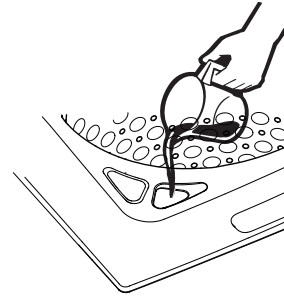
Blanchiment liquide (PTW905, PTW900, PTW805 et PTW800 modèles seulement)

Utilisez une tasse à mesurer pour verser le javellisant dans le distributeur de javellisant. Mesurez le javellisant liquide avec soin et ne le versez PAS directement de la bouteille de javellisant dans le distributeur de javellisant.

REMARQUE : Le distributeur de javellisant autorise une seule distribution à la fois et elle n'est PAS un système de distribution en vrac. La quantité maximale de javellisant versée dans le distributeur ne doit pas excéder 1 tasse quelle que soit la taille de la brassée.

REMARQUE : Dans l'éventualité d'un renversement accidentel de javellisant au chlore ou se retrouvant autrement dans le réservoir de détergent, veuillez suivre les instructions de la rubrique **Nettoyage du réservoir de détergent** dans la section **Entretien et nettoyage** afin de réduire la possibilité d'abîmer les vêtements. Si seulement quelques gouttes de javellisant se retrouvent dans le réservoir de détergent, il n'est pas nécessaire de rincer le réservoir.

REMARQUE : Dans l'éventualité d'un renversement accidentel de détergent ou se retrouvant autrement dans l'orifice de javellisant, ce détergent sera simplement utilisé dans le prochain cycle de lavage. Dans ce cas, il n'est pas nécessaire de procéder à un rinçage.



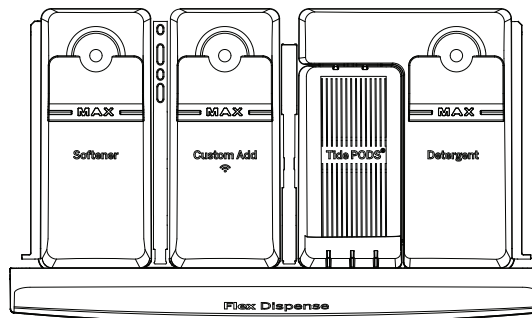
Flex Dispense Drawer

Utilisez ce tiroir de distribution polyvalent (Flex Dispense Drawer) pour l'adoucissant, le détergent de pré-lavage, le sachet de détergent et le détergent principal.

L'adoucissant liquide doit être ajouté dans le compartiment le plus à gauche. Suivez les recommandations du fabricant de l'adoucisseur pour connaître la quantité exacte à ajouter selon la taille de la brassée. Évitez de trop diluer l'adoucisseur ou de trop en ajouter car il pourrait se distribuer prématurément dans le cycle de lavage. Votre sélection des options va déterminer le moment optimal où l'adoucisseur liquide sera distribué automatiquement dans le cycle de rinçage.

REMARQUE : Il ne faut PAS ajouter d'adoucisseur en cristaux dans le tiroir car il ne sera pas distribué correctement.


Le détergent de pré-lavage doit être ajouté dans le compartiment d'ajout personnalisé, le deuxième depuis la gauche. Utilisez-le avec l'application SmartHQ. Remplissez ce compartiment pour déloger la crasse des brassées très sales avant de démarrer le cycle principal sélectionné. Reportez-vous à l'application SmartHQ pour connaître toutes les possibilités du tiroir de distribution polyvalent.



Le détergent haute-efficacité doit être ajouté dans le compartiment le plus à droite. Suivez les recommandations du fabricant du détergent pour connaître la quantité exacte à ajouter selon la taille de la brassée, en veillant à ajouter le détergent dans le compartiment le plus à droite. Évitez de trop diluer le détergent ou de trop en ajouter car il pourrait se distribuer prématurément dans le cycle de lavage. Votre sélection des options va déterminer le moment optimal où le détergent sera distribué automatiquement dans le cycle de lavage. Pour un rendement optimal, en particulier avec de l'eau ou un climat plus froids, placez le détergent haute efficacité en poudre directement sur le dessus de la brassée.

REMARQUE : Il ne faut pas ajouter des sachets de détergent à dose unique dans le distributeur de détergent car ils ne seront pas distribués correctement. Placez plutôt les sachets dans le godet de distribution pour sachets de détergent.

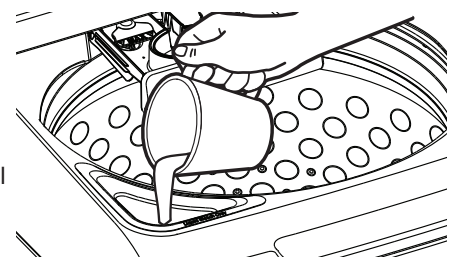
Les sachets de détergent doivent être ajoutés dans le troisième compartiment depuis la gauche. Pour de meilleures performances, les dosettes doivent être placées au centre (de gauche à droite) du compartiment et vers l'avant du compartiment. Évitez de pousser la dosette vers l'arrière du compartiment à moins d'utiliser deux dosettes ou plus. N'appuyez pas les dosettes contre les parois latérales du compartiment à dosettes. Suivez les recommandations du fabricant de détergent pour déterminer le nombre de sachets approprié à ajouter à la brassée. N'ajoutez pas plus de sachets que le nombre recommandé car du détergent résiduel pourrait subsister à la fin du cycle. Votre sélection des options va déterminer quand le détergent sera distribué automatiquement au moment optimal du cycle de lavage.

REMARQUE : Nous recommandons l'utilisation de sachets de détergent haute efficacité  tels que Tide PODS™ ou Gain Flings™. La distribution de certains sachets de détergent peut s'avérer incomplète à des températures très froides ou dans un cycle délicat. Dans ces cas, vous pouvez utiliser une température plus chaude pour distribuer les sachets plus difficiles à dissoudre.

Distributeur de blanchiment liquide (PTW705, PTW700, PTW605 et PTW600 modèles seulement)

L'agent de blanchiment au chlore doit être ajouté par le distributeur d'agent de blanchiment dans le **coin avant gauche**. Suivez les recommandations du fabricant de l'agent de blanchiment pour connaître la quantité appropriée selon la taille de la charge, en veillant à ne pas appliquer ni verser directement sur le linge.

REMARQUE : N'utilisez pas d'agent de blanchiment liquide au chlore et de détachant tel qu'un produit Oxi dans la même charge.



Chargement

Respectez toujours l'étiquette d'entretien du fabricant lors de la lessive.

Détection automatique du volume de linge

Cette fonction détermine la quantité d'eau appropriée qui convient à la taille et au type de charge placée dans la laveuse. La laveuse ne démarrera pas le cycle de lavage ou le remplissage d'eau si le couvercle est ouvert. Lorsque le couvercle est fermé, la machine peut commencer à se remplir d'eau pour détecter le volume de linge.

REMARQUE : La détection automatique du volume de linge démarre un essorage en début de cycle; il s'agit d'une opération normale.

REMARQUE : Cet appareil est une laveuse haute efficacité. Ce système requiert moins d'eau tout en offrant une action de lavage efficace. Vous pouvez remarquer que le niveau d'eau est inférieur à celui de votre précédente laveuse. Ceci est normal pour une laveuse haute efficacité.

Détachant

Placez le détachant, par exemple un produit Oxi, directement sur le dessus de la brassée de vêtements.

REMARQUE : N'utilisez pas d'agent de blanchiment liquide au chlore et de détachant tel qu'un produit Oxi dans la même charge.

Emploi approprié du détergent

L'excès ou le manque de détergent constitue un des problèmes courants lors de la lessive.

Vous pouvez utiliser moins de détergent si votre eau est douce, si votre linge est moins volumineux ou s'il est légèrement sale.

En cas de taches, appliquez du détachant en suivant les recommandations figurant sur l'étiquette des articles. Cette application doit être effectuée dans le tambour pour éviter d'éclabousser le couvercle ou les graphiques, ce qui pourrait ternir leurs couleurs.

Placez les sachets de détergent dans le distributeur pour sachets (certains modèles) ou le bas du panier de lavage avant d'ajouter les vêtements.

GE Appliances recommande l'utilisation de détergents à haute efficacité tels que Tide PODS™ et détergents liquides dans votre laveuse éconergétique. Les détergents HE sont formulés pour être utilisés avec les systèmes de lavage et de rinçage à faible quantité d'eau. Les détergents HE diminuent les problèmes de production excessive de mousse couramment associés aux détergents traditionnels.

Lorsque vous utilisez des détergents haute efficacité ou concentrés, reportez-vous à l'étiquette des articles pour déterminer la dose requise pour une performance optimale. Une quantité excessive de détergent aura un impact négatif sur la performance du lavage.

Tri du linge

Triez le linge par couleur (blancs, clairs, couleurs), degré de saleté, type de tissu (coton robuste, tissu à entretien facile, tissu délicat) et en fonction de la charpie qu'il produit (tissu éponge, tissu chenille) ou qu'il ramasse (velvétine, velours côtelé). Lavez les articles qui génèrent de la charpie, tels que les serviettes de coton et les bas, séparément des articles qui la collectent, par exemple les vêtements synthétiques et les pantalons habillés.

⚠ AVERTISSEMENT - Risque d'incendie

NE lavez PAS les tissus contaminés avec des liquides inflammables ou des solvants de nettoyage.

Aucune laveuse ne peut éliminer l'huile totalement.

NE faites PAS sécher des articles qui ont été trempés dans ou en contact avec des huiles.

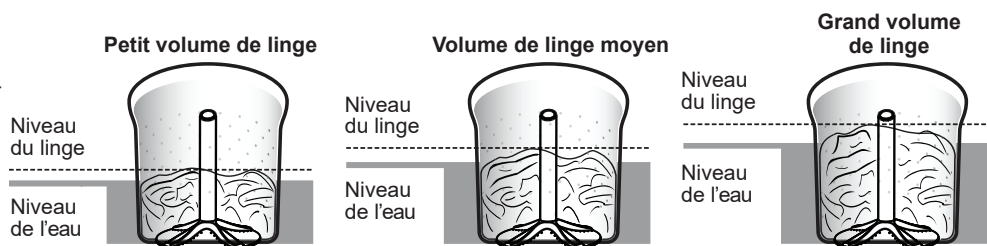
NE mettez PAS la main dans la machine à laver jusqu'à ce que toutes les pièces mobiles soient arrêtées.

Cela peut entraîner la mort, une explosion, un incendie ou une amputation.

Chargement de la laveuse

Chargez le linge sans l'entasser dans le tambour. Pour de meilleurs résultats, chargez le linge en le répartissant de manière uniforme sur le tour extérieur du tambour, et vers le centre pour les charges plus volumineuses. Pour ajouter des articles une fois la laveuse en marche, appuyez sur le bouton **Start/Pause** (départ/pause) si le couvercle est verrouillé; attendez que le voyant **Lid Locked** (Couvercle verrouillé) de l'affichage soit éteint avant d'ouvrir le couvercle. Soulevez le couvercle et immergez les articles supplémentaires sur le tour extérieur du tambour. Pour reprendre le lavage, fermez le couvercle et appuyez sur **Start** (départ). Réglez la taille de la charge et/ou utilisez l'option **Deep Fill** (Remplissage profond) si nécessaire. **REMARQUE :** Certains cycles utilisent un remplissage pour lavage en deux phases. Le niveau d'eau de la première phase sera plus bas que pour la deuxième, cela est normal.

- Ne mettez pas d'articles comme des draps, des couvertures ou des serviettes sur le dispositif Infusor. Chargez-les en les répartissant sur le tour extérieur du tambour.
- Ne mettez pas de coussins d'extérieur ou de canapé dans la laveuse, car ils sont trop gros pour bouger. Retirez les housses extérieures et lavez **UNIQUEMENT** celles-ci.



Entretien et nettoyage

⚠ AVERTISSEMENT - Risque de choc électrique

Certaines pièces internes sont intentionnellement non mises à la terre et peuvent présenter un risque de choc électrique lors d'un entretien.

Personnel d'entretien – NE PAS toucher aux composants suivants lorsque l'appareil est sous tension : Moteur d'entraînement, verrouillage du couvercle, valves d'eau, pompe de vidange et pompe de recirculation.

Extérieur de la laveuse

Essuyez immédiatement tout produit renversé à l'aide d'un chiffon humide.

Intérieur de la laveuse

Pour nettoyer l'intérieur de la laveuse, sélectionnez la fonction **Bulky** (articles volumineux) sur le tableau de commande. Le programme **Bulky** (articles volumineux) doit être utilisé au moins une fois par mois. Ce programme utilise plus d'eau, en plus de l'agent de blanchiment, pour contrôler la vitesse à laquelle la saleté et les détergents pourraient s'accumuler dans votre laveuse.

REMARQUE : Lisez toutes les instructions ci-dessous avant de lancer le programme **Bulky** (articles volumineux).

1. Retirez tout vêtement ou objet de la laveuse, et assurez-vous que le tambour est vide.
2. Ouvrez le couvercle de la laveuse et versez une tasse ou 250 ml d'agent de blanchiment liquide ou de nettoyage pour laveuse dans le tambour.



3. Fermez le couvercle et sélectionnez le programme **Bulky** (articles volumineux). Appuyez sur le bouton **Start** (départ).
4. Lorsque le programme **Bulky** (articles volumineux) est en cours, le temps restant estimé s'affiche. N'interrompez pas le programme.

IMPORTANT :

- Utilisez le programme **Bulky** (articles volumineux) avec 1 tasse (250 ml) d'agent de blanchiment une fois par mois.
- Une fois le programme **Bulky** (articles volumineux) terminé, l'intérieur de votre laveuse peut sentir l'agent de blanchiment.

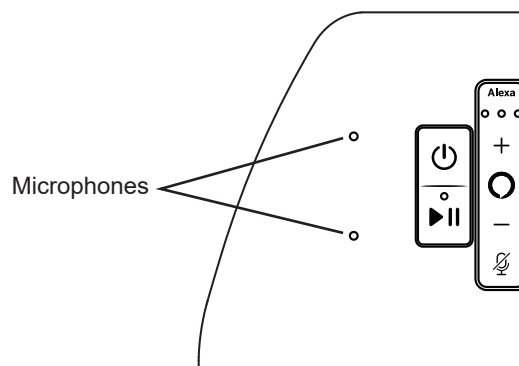
Pour l'option de nettoyage du panier, téléchargez l'application SmartHQ et consultez les instructions qui s'y rapportent.

Microphones pour commande vocale

(PTW905 et PTW900 modèles seulement)

REMARQUE : Le panneau de commande de la laveuse comporte deux microphones sensitifs. Si ces microphones sont exposés aux contaminants liquides ou si les ports audios sont obstrués, la performance de cette caractéristique pourrait être moins efficace.

Pour nettoyer les ports audios et les microphones, essuyez immédiatement toutes éclaboussures sur ou près des ports audios du microphone. Essuyez ensuite délicatement avec un petit écouvillon et de l'eau. Assurez-vous d'enlever tout excès d'eau avec l'écouvillon pour ne laisser que de l'humidité. Insérez délicatement un écouvillon de coton humide dans les trous des ports audio et essuyez-les en appliquant un léger mouvement de rotation. Répétez la procédure jusqu'à ce que tous les contaminants soient éliminés. Laissez sécher le tout. Les durées d'assèchement peuvent varier et peuvent même atteindre 24 heures dans certains cas.



Nettoyage du réservoir de détergent

(PTW905, PTW900, PTW805 et PTW800 modèles seulement)

REMARQUE : Tous les vêtements doivent être retirés de la laveuse avant de nettoyer le réservoir de détergent.

Pour vider le réservoir et éliminer le détergent résiduel qui s'y trouve :

1. Maintenez une pression simultanée sur les deux boutons **Smart Dispense** et **Smart Wash** durant trois secondes.
2. Pour débiter, le contenu du réservoir, mélangé avec de l'eau, s'écoulera dans le panier tout en étant évacué de l'appareil.

3. Le vidage se poursuivra durant 15 minutes environ, sauf si une pause est commandée en pressant le bouton **Start** (démarrer). Si le réservoir est plein au départ, il peut s'avérer nécessaire de relancer le processus une deuxième fois pour bien vider le réservoir de détergent.

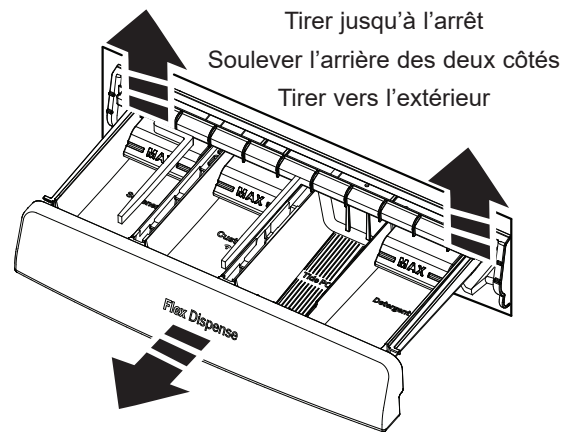
REMARQUE : On peut aussi ajouter de l'eau chaude dans le réservoir pour faciliter le rinçage du système avant de démarrer ou pendant le processus de nettoyage.

Entretien et nettoyage

Flex Dispense Drawer

Après une certaine période d'utilisation, une petite quantité de résidus de détergent ou d'assouplissant peut se trouver dans le tiroir du distributeur. Le tiroir se retire aisément pour le nettoyage. Pour retirer le tiroir, tirez-le jusqu'à ce qu'il s'arrête, soulevez les deux côtés de sa partie arrière, puis tirez-le vers l'extérieur. Le tiroir peut alors être retiré de la boîte de distribution. Lavez le tiroir dans une solution d'eau chaude et de détergent doux. Rincez le tiroir à l'eau chaude. Si les capuchons des siphons sont retirés pour nettoyage, assurez-vous de les remettre en place en les poussant à fond après le nettoyage.

Le tiroir du distributeur et les capuchons des siphons ne vont pas au lave-vaisselle. La boîte du distributeur n'est pas amovible mais on peut l'essuyer à l'aide d'un chiffon imbibé si nécessaire. Ne tentez pas de retirer la boîte du distributeur pour le nettoyage.



Flexibles d'alimentation d'eau

Inspectez régulièrement tous les flexibles d'alimentation d'eau afin de détecter des signes de fuites d'eau, d'usure, de coupures, de corrosion et de bombements. Remplacez les flexibles immédiatement si des signes de cette nature apparaissent. Pour réduire le risque de défaillance des flexibles et de dégâts d'eau, ceux-ci doivent être remplacés tous les 5 ans d'utilisation. Lorsque vous remplacez des flexibles, reportez-vous aux instructions d'installation pour vous assurer d'une installation correcte. ÉVITEZ de trop serrer les raccords et de fausser leur filetage. Les flexibles NE doivent PAS frotter contre des objets coupants ni présenter des plis ou des étirements trop prononcés. Vérifiez toujours que les joints d'étanchéité en caoutchouc des flexibles sont installés et exempts de fuites lorsqu'ils sont sous pression.

Vacances prolongées

Coupez l'alimentation en eau au niveau des robinets. Vidangez l'eau des tuyaux et de la zone de la pompe de filtration de l'eau en cas de risque de gel.

Déménagement et entreposage

Demandez à un réparateur de vidanger l'eau de la pompe et des tuyaux. Entreposez la laveuse à l'abri des intempéries.

PTW905, PTW900, PTW805 et PTW800 modèles seulement : Ne déplacez pas la laveuse avec le réservoir plein de détergent. Si vous déplacez la laveuse avec le réservoir partiellement rempli, ne la penchez pas vers l'avant car du détergent peut s'échapper du réservoir. Si le déplacement exige absolument une inclinaison vers l'avant, il est préférable de nettoyer le réservoir de détergent. Voyez la rubrique **Nettoyage du réservoir de détergent** dans la section **Entretien et nettoyage** de ce manuel.

Instructions d'installation

Laveuse



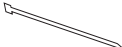

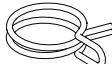
Des questions? Appelez le 1.800.561.3344 ou Visitez notre site Web à l'adresse : electromenagersge.ca

AVANT DE COMMENCER



Lisez ces instructions entièrement et soigneusement.

- **IMPORTANT** — Conservez ces instructions pour l'inspecteur local.
- **IMPORTANT** — Observez tous les codes et les ordonnances en vigueur.
- **Note à l'installateur** — Assurez-vous de laisser ces instructions au consommateur.
- **Note au consommateur** — Conservez ces instructions à titre de référence.
- **Niveau de compétences** — L'installation de cet appareil électroménager nécessite des compétences mécaniques et électriques de base.
- **Temps d'installation** — 1-3 heures
- L'installateur est responsable de bien installer cet appareil.
- Toute panne de produit due à une mauvaise installation n'est pas couverte par la garantie.

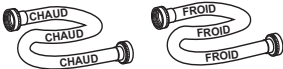

PIÈCES FOURNIES

- Tuyau d'évacuation 
- Guide de référence l'utilisateur 
- Attache de câble 
- Bride de tuyau d'évacuation 
- Collier de serrage 

OUTILS NÉCESSAIRES POUR INSTALLER LA LAVEUSE

- Pince à joint coulissant 
- Niveau 

PIÈCES REQUISES (vendues séparément)

- Flexibles d'eau (2) 
- Rondelles en caoutchouc (2) et grillages pour crépine (2) 
- Rallonge de tuyau d'évacuation (pour hauteurs d'évacuation de 60 à 96 po (1,5 à 2,5 m))

Pièces et accessoires GE Appliances

Visitez votre fournisseur local de pièces GE Appliances ou commandez par téléphone au 800.661.1616 durant les heures normales de bureau.

Numéro de pièce	Accessoire
PM14X10002	Flexibles d'alimentation d'eau en caoutchouc – 1,2 m (4 pi)
Ou	
PM14X10005	Flexibles d'alimentation d'eau en métal tressé – 1,2 m (4 pi)
WH1X2267	Rondelles en caoutchouc et grillages
WH49X301	Rallonge de tuyau d'évacuation (pour hauteurs d'évacuation de 60 à 96 po (1,5 à 2,5 m))

REMARQUE : Nous recommandons fortement d'utiliser des tuyaux d'alimentation en eau neuf. Les tuyaux se dégradent avec le temps et doivent être remplacés tous les 5 ans pour réduire le risque de rupture des tuyaux et/ou de dégâts des eaux.

Instructions d'installation

EMPLACEMENT DE VOTRE LAVEUSE

N'installez jamais votre laveuse :

1. Dans un endroit exposé à de l'eau qui coule ou aux conditions climatiques extérieures. La température ambiante ne doit jamais être gelée ou proche du point de congélation pour que la laveuse fonctionne bien.
2. Dans un endroit où elle entre en contact avec des tentures ou des rideaux.
3. Sur un tapis. Le sol **DOIT** être une surface dure avec une pente maximum de 1,27 cm per 30 cm (1/2 pouce par pied). Pour vous assurer que la laveuse ne vibre pas ou ne bouge pas, il est possible que vous deviez renforcer le plancher.

REMARQUE : Si le plancher est en mauvais état, utilisez une feuille de contreplaqué traité de 3/4 po. fixé solidement à la couverture de plancher actuelle.

IMPORTANT : Espaces libres minimum pour l'installation - Réduit ou un Placard

- Si on recommande l'installation de votre machine à laver dans un réduit ou un placard, vous trouverez les normes d'installation correspondantes sur une étiquette au dos de la machine.
- Dégagement minimal entre la machine et les surfaces mitoyennes : 0 cm (0 po) de part et d'autre, 5 cm (2 po) à l'avant. Espace vertical depuis le plancher jusqu'aux tablettes ou armoires suspendues, plafond, etc. = 60 po (152.4 cm).
- Les portes du placard doivent être perforées ou bien ventilées et disposer d'au moins 387 cm² (60 pouces carrés) d'espace. Si le placard abrite une laveuse et une sècheuse, les portes doivent disposer de 774 cm² (120 pouces carrés) au minimum d'espace ouvert.

REMARQUE : Les jeux indiqués sur cette affiche constituent des jeux minimaux. Il convient également de prévoir un dégagement suffisant pour les opérations d'installation et d'entretien.

EXIGENCES D'ALIMENTATION D'EAU

CONDUITES D'ALIMENTATION D'EAU - Purgez les conduites d'alimentation d'eau chaude et froide durant 30 secondes avant l'installation des tuyaux et de la laveuse. Assurez-vous que les tamis à l'entrée des tuyaux sont propres et exempts de débris.

PRESSIION D'EAU - Celle-ci doit se situer entre un minimum de 1,4 kgf/cm² (20 psi) et un maximum de 8,4 kgf/cm² (120 psi).

REMARQUE : La pression minimale de 20 psi consiste dans la pression « dynamique », c'est-à-dire la pression réelle à l'orifice d'entrée de l'eau lorsque la laveuse se remplit d'eau.

TEMPÉRATURE D'EAU - Le chauffe-eau domestique doit être réglé de façon à alimenter LA MACHINE À LAVER avec de l'eau chaude entre 50 °C et 65 °C (120 °F et 150 °F) quand on choisit le mode " hot wash " (lavage à chaud).

ROBINETS D'ARRÊT - Des robinets d'arrêt d'eau chaude et d'eau froide doivent être prévus.

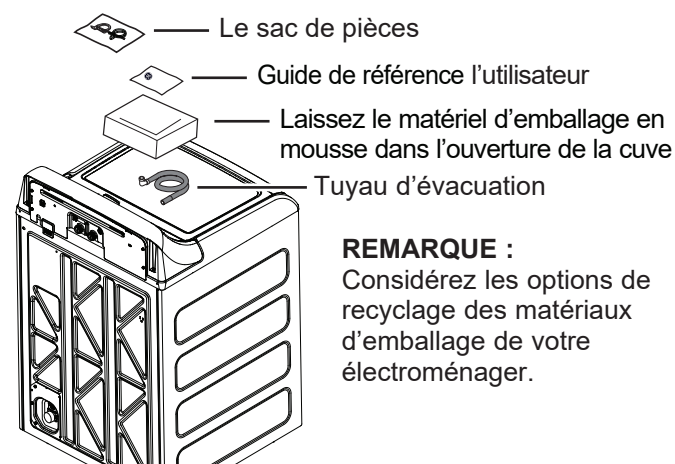
ÉVACUATION - L'eau de vidange peut être évacuée au moyen d'un tuyau de renvoi. L'eau **DOIT ÊTRE** évacuée à une hauteur **MINIMALE DE 76 cm (30 po)** et maximale de 2,4 m (8 pieds) par rapport à la base de la machine. Le tuyau de renvoi doit avoir un diamètre intérieur minimal de 3,8 cm (1-1/2 po) et être situé à l'air libre.

1 DÉBALLAGE DE VOTRE LAVEUSE

Lorsque la machine est à destination, enlevez l'ensemble des matériaux extérieur et cartons d'emballage.

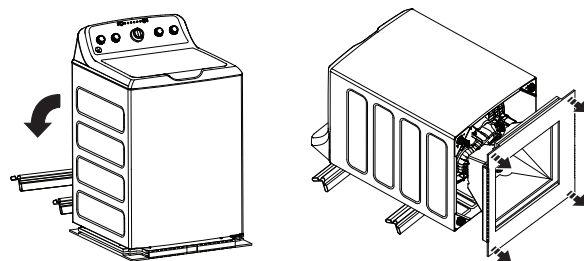
Retirez le sac (comprenant collier de serrage, attache de câble et bride de tuyau d'évacuation), le tuyau d'évacuation et le guide de référence de l'utilisateur de la cuve.

REMARQUE: Laissez le matériel d'emballage en mousse dans l'ouverture de la cuve pour maintenir la cuve en place pendant le reste de l'installation.



2 ENLÈVEMENT DE LA BASE

Pour enlever la base de l'appareil, placez un pied sur le côté et renversez l'appareil vers l'arrière sur les montants de coin. Retirez la base en la tirant en droite ligne. Remettez la laveuse à l'endroit.



⚠ AVERTISSEMENT - Risque de choc électrique

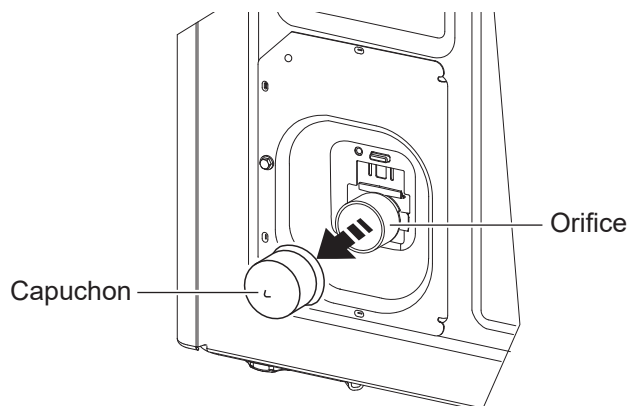
Certaines pièces internes sont intentionnellement non mises à la terre et peuvent présenter un risque de choc électrique lors d'un entretien.

Personnel d'entretien - NE PAS toucher aux composants suivants lorsque l'appareil est sous tension : Moteur d'entraînement, verrouillage du couvercle, valves d'eau, pompe de vidange et pompe de recirculation.

Instructions d'installation

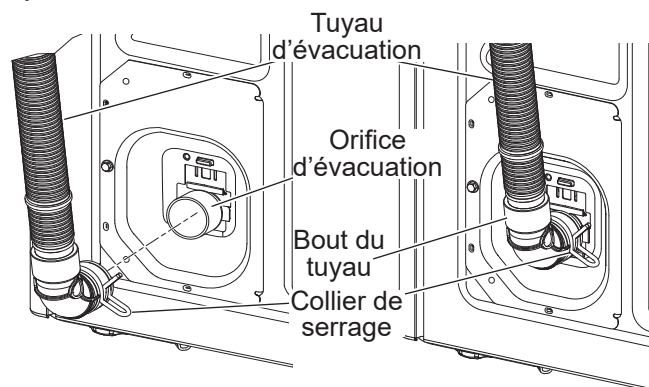
3 RACCORDEMENT DU TUYAU D'ÉVACUATION À LA LAVEUSE

Retirez le capuchon de l'orifice de vidange, le cas échéant, avant d'installer le tuyau de vidange. Il est normal qu'une petite quantité d'eau résiduelle provenant du processus de vérification de qualité en usine s'écoule de l'entrée de la valve lorsque le couvercle est retiré.



Arrière de la laveuse

Raccordez le tuyau d'évacuation à l'orifice d'évacuation à l'arrière de la laveuse. Ouvrez le collier de serrage avec une pince et glissez-le sur le bout du tuyau. En maintenant le collier ouvert, poussez le bout du tuyau dans l'orifice d'évacuation jusqu'à ce qu'il repose au fond. Relâchez le collier entre les nervures de localisation sur le bout du tuyau

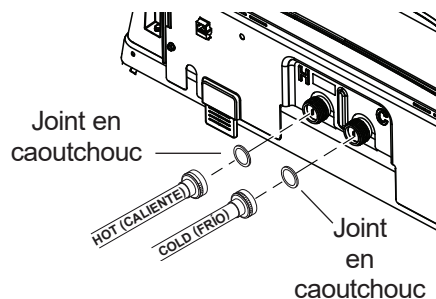


4 RACCORDEMENT DES FLEXIBLES D'EAU À LA LAVEUSE

Retirez le cordon d'alimentation de son logement avant d'installer les flexibles d'alimentation d'eau. S'il n'est pas présent, installez un joint en caoutchouc dans un des raccords du flexible d'eau chaude. Vissez le flexible d'eau chaude sur le raccord d'eau chaude (repère "H") qui se trouve dans la partie supérieure du dos de la machine. Serrez à la main, puis utilisez des pinces pour serrer les flexibles de 1/8 à 1/4 de tour supplémentaire.

S'il n'est pas présent, installez un joint en caoutchouc dans un des raccords du flexible d'eau froide (repère "C"). Vissez le flexible d'eau froide sur le raccord d'eau froide (repère "C") qui se trouve dans la partie supérieure du dos de la machine. Serrez à la main, puis utilisez des pinces pour serrer les flexibles de 1/8 à 1/4 de tour supplémentaire.

Déplacez la machine pour qu'elle se trouve aussi près que possible de son emplacement définitif, tout en vous laissant assez de place pour raccorder les flexibles d'alimentation d'eau, le renvoi et l'alimentation électrique.



5 RACCORDEMENT DES FLEXIBLES D'EAU AUX ROBINETS D'ADMISSION

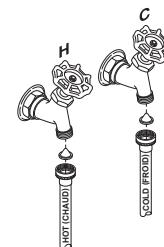
Repérez le robinet d'eau CHAUDE avant de raccorder les flexibles. Celui-ci se trouve normalement à gauche.

(Si les tamis/joints en caoutchouc ne sont pas présents) Avec le côté en saillie du tamis vers vous, introduisez un ensemble tamis/joint caoutchouc à l'autre extrémité des flexibles d'alimentation d'eau.

Branchez le flexible d'eau chaude au robinet de sortie d'eau chaude domestique. Serrez à la main, puis utilisez des pinces pour serrer les flexibles de 1/4 à 1/2 de tour supplémentaire. Ouvrez le robinet d'eau chaude.

Branchez le flexible d'eau froide (S) au robinet de sortie d'eau froide domestique. Serrez à la main, puis utilisez des pinces pour serrer les flexibles de 1/4 à 1/2 de tour supplémentaire. Ouvrez le robinet d'eau froide.

Vérifiez l'absence de fuite et de suintement au niveau des raccords de tuyaux. Resserrez si nécessaire.



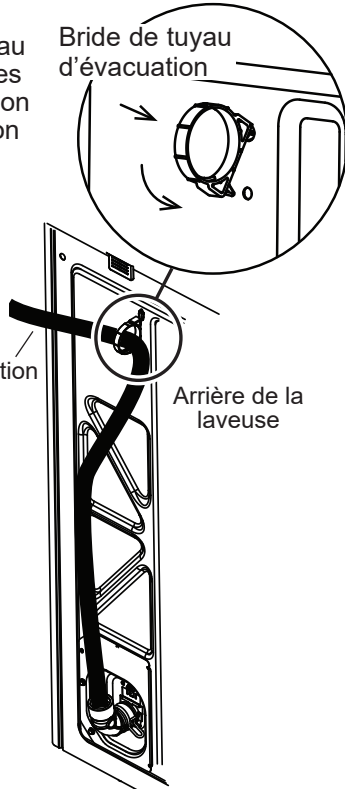
Instructions d'installation

6 RACCORDEMENT AU DRAIN

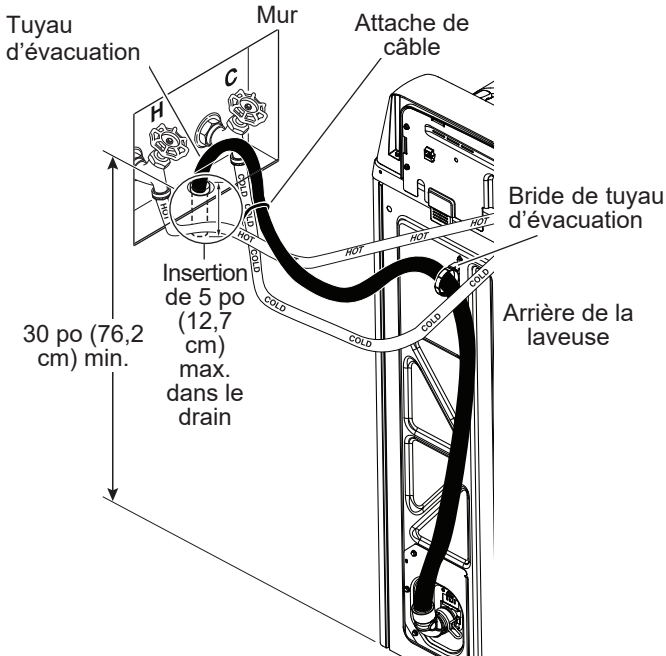
Posez la bride du tuyau d'évacuation sur le panneau arrière de la laveuse. Faites passer le tuyau d'évacuation dans la bride et insérez son bout libre dans l'orifice du drain de votre domicile.

REMARQUE - Si la longueur du tuyau d'évacuation se révèle insuffisante, commandez la trousse de rallonge, n° de pièce GE Appliances **WH49X301**. Branchez la rallonge de tuyau d'évacuation faisant partie de la trousse au tuyau d'évacuation d'origine à l'aide du collier prévu à cette fin.

Bride de tuyau d'évacuation



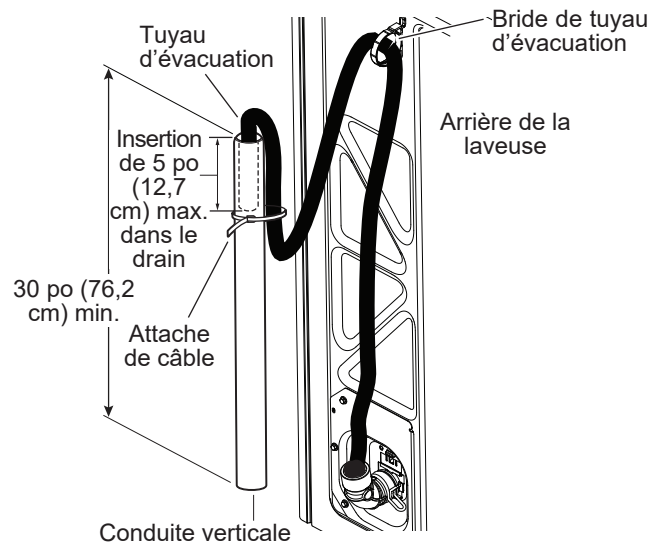
Si les robinets d'admission d'eau et le drain sont intégrés dans le mur, attachez le tuyau d'évacuation à l'un des flexibles d'alimentation en eau à l'aide de l'attache de câble fournie.



REMARQUE : Si vous mettez le tuyau de vidange trop bas, le tuyau d'égout peut causer un effet de siphon. On ne peut pas mettre plus que 12,7 cm (5 po) de tuyau dans le tuyau d'égout. Il doit y avoir un espace d'air autour du tuyau de vidange. Un ajustement trop serré peut également produire un effet de siphon.

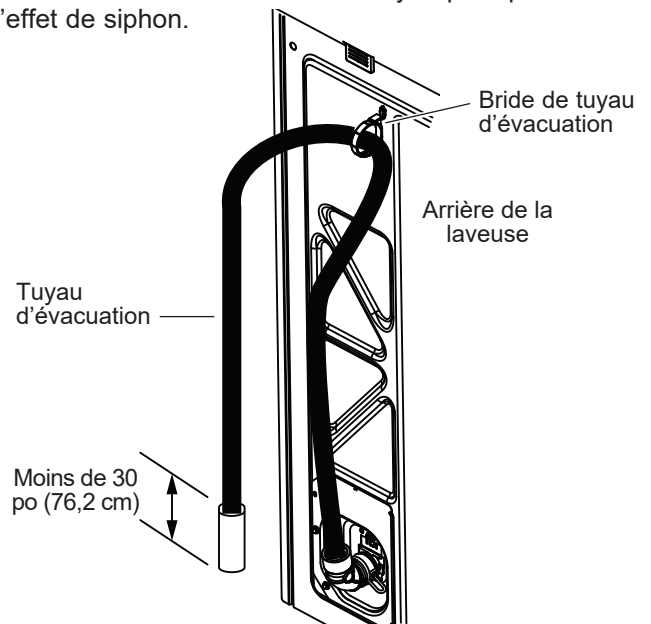
6 RACCORDEMENT AU DRAIN (suite)

Si votre drain se présente comme une conduite verticale, attachez le tuyau d'évacuation à cette conduite à l'aide d'une attache de câble fournie



REMARQUE : Si vous mettez le tuyau de vidange trop bas, le tuyau d'égout peut causer un effet de siphon. On ne peut pas mettre plus que 12,7 cm (5 po) de tuyau dans le tuyau d'égout. Il doit y avoir un espace d'air autour du tuyau de vidange. Un ajustement trop serré peut également produire un effet de siphon. Attache de câble Attache de câble.

Si la hauteur d'évacuation du drain ne satisfait pas le 30 po (76,2 cm) minimum requis, le bout du tuyau d'évacuation doit être fixé dans l'orifice du drain de votre domicile par un installateur et une coupure antirefoulement doit entourer le tuyau pour prévenir l'effet de siphon.



REMARQUE : Si vous mettez le tuyau de vidange trop bas, le tuyau d'égout peut causer un effet de siphon. On ne peut pas mettre plus que 12,7 cm (5 po) de tuyau dans le tuyau d'égout. Il doit y avoir un espace d'air autour du tuyau de vidange. Un ajustement trop serré peut également produire un effet de siphon.

Instructions d'installation

EXIGENCES ÉLECTRIQUES

⚠ AVERTISSEMENT - Risque d'électrocution

Brancher à une prise de courant à 3 broches mise à la terre.

NE PAS retirer la broche de contact de mise à la terre.

N'UTILISEZ pas de rallonge électrique.

N'UTILISEZ pas d'adaptateur de prise.

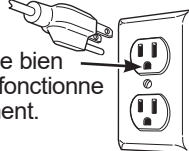
Le non-respect de ces instructions pourrait entraîner un décès, un incendie ou un choc électrique.

CIRCUIT - Individuel, correctement polarisé et mis à la terre, disjoncteur ou fusible temporisé de 15 ou 20 ampères.

ALIMENTATION ÉLECTRIQUE – 2 fils plus la mise à la terre, 120 volts, monophasé, 60 Hz, courant alternatif.

PRISE ÉLECTRIQUE – Prise à 3 voies correctement mise à la terre située de façon à ce que le cordon soit accessible lorsque la laveuse est installée dans sa position définitive. Si la prise n'est qu'à 2 voies, il est de la responsabilité du propriétaire de demander à un électricien agréé de la remplacer par une prise à 3 voies correctement mise à la terre.

Assurez-vous au préalable qu'une mise à la terre existe bien et qu'elle fonctionne correctement.

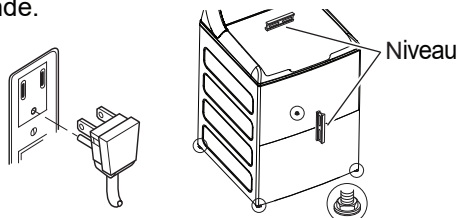


La laveuse doit être correctement mise à la terre conformément aux codes locaux de l'électricité, ou dans l'absence de codes locaux, à la dernière édition du Code Électrique National, ANSI/NFPA NO. 70 ou au Code Électrique Canadien CSA C22.1. Demandez à un électricien agréé de vérifier la connexion si vous n'êtes pas certain que la laveuse est correctement mise à la terre.

7 BRANCHEMENT DE L'ALIMENTATION ÉLECTRIQUE ET INSTALLATION

Brancher la fiche du cordon d'alimentation dans une prise murale de 120 V, 15/20 ampères. Placez la machine à laver à son emplacement définitif. Assurez-vous que rien ne dépasse vers le haut dans le boîtier de la laveuse depuis le dessous de la laveuse. Placez un niveau sur le bord latéral supérieur de la machine à laver. Ajustez les quatre pattes de mise à niveau jusqu'à ce que la machine à laver soit au niveau de gauche à droite et d'avant en arrière. Enlevez le niveau.

Ouvrez le couvercle du tambour. Déposer et mettre au rebut à remous matériaux d'expédition (voir l'étape 1). Enlevez la feuille de plastique qui recouvre le panneau de commande.



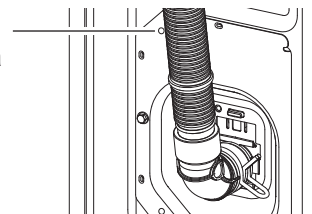
INSTRUCTIONS DE MISE À LA TERRE

Cet appareil doit être mis à la terre. Dans l'éventualité d'un mal fonctionnement ou d'une panne, la mise à la terre réduit le risque de choc électrique en procurant un circuit de moindre résistance au courant électrique. Cet appareil comporte un cordon doté d'un conducteur de mise à la terre de l'appareillage et d'une fiche de mise à la terre. La fiche doit être branchée dans une prise compatible correctement installée et mise à la terre conformément à tous les codes et règlements en vigueur.

⚠ **AVERTISSEMENT** Une connexion incorrecte du conducteur de mise à la terre de l'appareillage peut poser un risque de choc électrique. Consultez un électricien ou réparateur qualifié si vous doutez que l'appareil soit correctement mis à la terre. **NE** modifiez **PAS** la fiche du cordon d'alimentation. Si elle ne s'insère pas dans la prise, demandez à un électricien agréé de poser une prise appropriée.

Si les codes locaux l'exigent, un fil de terre extérieur en cuivre de calibre 18 ou supérieur (non fourni) peut être ajouté. Fixer à l'enceinte de la laveuse à l'aide d'une vis à tôle #10-16 x 1/2 po (dans toute bonne quincaillerie) à l'arrière de la laveuse, comme illustré.

Attacher le fil de terre et sa vis (obtenir localement)



Arrière de la laveuse

Installation en maison mobile :

L'installation doit satisfaire les normes suivantes : Standard for Mobile Homes, ANSI A119.1 et National Mobile Home Construction and Safety Standards Act of 1974 (PL93-383).

LISTE FINALE

Avant de mettre en marche la laveuse, vérifiez que tout est en ordre :

- L'alimentation principale de courant est branchée.
- La laveuse est branchée à la prise.
- Les robinets d'eau sont ouverts.
- L'appareil est bien horizontal et les quatre pattes de nivellement reposent fermement sur le plancher.
- La mousse et le carton d'emballage est retirée.
- Le tuyau de vidange est bien attaché.
- Le robinet, les rondelles et le tuyau de vidange ne fuient pas.
- Retirez le capuchon de l'orifice de vidange, le cas échéant, avant d'installer le tuyau de vidange.

Faites marcher la laveuse pendant un cycle complet.

- Vérifiez qu'il n'y a aucune fuite d'eau et qu'elle fonctionne bien.
- Rangez ces instructions dans un emplacement proche de la laveuse pour référence future.

Conseils de Dépannage...Avant d'appeler un réparateur

Problème	Causes possibles	Solutions
Petite quantité d'eau résiduelle dans le distributeur (certains modèles) à la fin du cycle	Fonctionnement normal du distributeur	Il est normal qu'une petite quantité d'eau demeure dans le distributeur après le cycle.
Petit jet d'eau ou activation de la pompe de vidange et délai après une pression sur le bouton Start	Le couvercle a été ouvert et fermé entre la sélection du programme et le départ	Ceci est normal. Consultez SÉQUENCE DE DÉMARRAGE dans la section Consignes de sécurité .
Le niveau de l'eau semble bas	Ceci est normal	L'eau peut ne pas recouvrir tout le linge. Ceci est normal pour cette laveuse haute efficacité.
Faible débit d'eau	Les filtres des robinets d'eau sont obstrués	Fermez l'alimentation d'eau et débranchez les flexibles d'eau de la partie supérieure arrière de la laveuse et des robinets. Nettoyez les deux grilles des flexibles (s'ils sont présents) ainsi que les grilles dans l'appareil à l'aide d'une brosse ou d'un cure-dents. Raccordez de nouveau les boyaux et rétablissez l'alimentation en eau. Assurez-vous de l'absence de fuites aux connexions.
	Faible pression de l'eau d'alimentation	Si la pression à l'entrée d'eau de la laveuse est inférieure à 20 psi lorsque la laveuse se remplit, appelez un plombier pour évaluer votre alimentation d'eau et faire les corrections nécessaires pour augmenter la pression d'eau.
L'eau est siphonné de la laveuse	Le tuyau de vidange est trop bas ou le tuyau est trop enfoncé dans la conduite verticale	La hauteur du tuyau d'évacuation doit dépasser 30 po (76,2 cm) à un moment entre l'arrière de la laveuse et le tuyau de vidange. Utilisez une bride anti-siphonnage. Voir les Instructions d'installation .
Trop de mousse	Eau douce	Essayez d'utiliser moins de détergent.
	Trop de détergent	Dosez soigneusement votre détergent. Vous pouvez utiliser moins de détergent si votre eau est douce, si votre linge est moins volumineux ou s'il est légèrement sale.
	Type de détergent	Passez à un détergent haute efficacité tels que Tide PODS™ et détergents liquides.
Fuites d'eau	Type de détergent	Passez à un détergent haute efficacité tels que Tide PODS™ et détergents liquides.
	Utilisation de trop de détergent dans la laveuse	Utilisez moins de détergent. Vous pouvez utiliser moins de détergent si votre eau est douce, si votre linge est moins volumineux ou s'il est légèrement sale.
	Les boyaux de remplissage ou d'évacuation sont mal raccordés	Vérifiez que les raccordements des boyaux sont bien serrés aux robinets et que des rondelles en caoutchouc sont installées. Assurez-vous que l'extrémité du boyau de vidange est correctement insérée et fixée au tuyau d'évacuation.
	Le tuyau d'évacuation de votre domicile est peut-être bouché	Vérifiez la plomberie de votre domicile. Il vous faut peut-être appeler un plombier.
	Le tuyau d'évacuation frotte contre le mur	Veillez à ce que le tuyau d'évacuation ne soit pas en contact avec le mur. Cela pourrait entraîner une usure excessive du tuyau.
	Pression constante de l'eau dans les boyaux de remplissage à la source d'alimentation en eau	Serrez les raccords des boyaux aux robinets. Vérifiez l'état des boyaux de remplissage. Ils devraient être remplacés tous les 5 ans.
La température de l'eau ne semble pas bonne	Une température d'eau plus froide permet une meilleure efficacité énergétique	Les nouveaux détergents à lessive ont été formulés pour des températures plus froides sans affecter les performances de lavage.
	L'alimentation en eau est coupée ou mal raccordée	Ouvrez complètement les robinets d'eau chaude et d'eau froide, puis vérifiez que les boyaux sont raccordés aux bons robinets. REMARQUE : Les robinets d'alimentation en eau sont identifiés par H (chaud) et C (froid).
	Les filtres des robinets d'eau sont obstrués	Fermez l'alimentation en eau et débranchez les flexibles d'eau de la partie supérieure arrière de la laveuse et des robinets. Nettoyez les deux grilles des flexibles (s'ils sont présents) ainsi que les grilles dans l'appareil à l'aide d'une brosse ou d'un cure-dents. Raccordez de nouveau les boyaux et rétablissez l'alimentation en eau. Assurez-vous de l'absence de fuites aux connexions.
	De l'eau froide sort quand Hot (chaud) est sélectionné	Ceci est normal. La laveuse détecte la température de l'eau (sur certains modèles) et l'optimise pour de meilleurs résultats. De l'eau froide est ajoutée régulièrement lorsque hot (chaud) est sélectionné.
	Le chauffe-eau de votre domicile est mal réglé	Assurez-vous que le chauffe-eau de votre domicile fournit de l'eau de 120 à 140 °F (48 à 60 °C).
L'eau est vidangée avant que le programme ne soit terminé	L'eau est restée dans l'appareil durant 24 heures avec couvercle fermé ou 15 minutes avec couvercle ouvert.	Le cycle précédent a été annulé. Fermez le couvercle, sélectionnez un nouveau cycle et démarrez l'appareil.
L'eau ne se vidange pas	Le tuyau d'évacuation est tordu ou mal raccordé	Redressez le tuyau d'évacuation et vérifiez que la laveuse ne repose pas dessus. Le haut du tuyau de vidange doit se trouver à moins de 8 pi (2,44 m) du sol.
La laveuse tours et s'interrompt au début des programmes	Ceci est normal	La laveuse détecte le volume de linge.

Conseils de Dépannage...Avant d'appeler un réparateur

Problème	Causes possibles	Solutions
Changements de vitesse avant, pendant et après l'essorage	La laveuse prend plusieurs minutes pour ajuster la vitesse	Ce phénomène est normal. La laveuse ajuste automatiquement la vitesse avant, pendant et après le cycle d'essorage pour mieux distribuer et essorer la brassée.
La laveuse s'interrompt pendant le programme de lavage	L'option Soak (trempage) a été sélectionné	Ceci est normal. La laveuse alterne entre le brassage et le trempage pendant ces programmes pour un linge plus propre, mais moins usé.
	Ceci est normal	Plusieurs cycles intègrent des séries de trempages durant la période de brassage afin de nettoyer vos vêtements avec moins d'usure.
Poudre résiduelle dans le distributeur ou obstruction des distributeurs	Eau de lavage trop froide ou faible pression d'eau au domicile	Sélectionnez une température de lavage plus chaude si possible afin d'augmenter la dissolution du détergent ou utilisez du détergent liquide. Assurez-vous que les capuchons des siphons sont exempts de débris et bien poussés en position. Retirez et nettoyez le tiroir du distributeur si une obstruction survient.
Les additifs pour lessive sont distribués trop tôt	Remplissage excessif des distributeurs	Ne remplissez pas trop le distributeur et n'y ajoutez pas d'eau. Sélectionnez l'option Deep Rinse (Rinçage en profondeur) lorsque vous utilisez un assouplissant.
La laveuse s'interrompt pendant l'essorage	Ceci est normal	La laveuse peut s'interrompre pendant l'essorage pour extraire l'eau savonneuse de manière plus efficace.
La laveuse ne démarre pas	La laveuse est débranchée	Vérifiez que le cordon d'alimentation est branché sur une prise sous tension.
	L'alimentation en eau est coupée	Ouvrez complètement les robinets d'eau chaude et d'eau froide.
	Le couvercle est ouvert : Le dispositif de sécurité empêche le brassage et l'essorage lorsque le couvercle est ouvert	Fermez le couvercle et appuyez sur Start (départ).
	Le disjoncteur s'est déclenché/le fusible a grillé	Vérifiez les disjoncteurs/fusibles de votre domicile. Remplacez les fusibles ou réenclenchez le disjoncteur. La laveuse doit être branchée sur une prise séparée.
	Les composants électroniques doivent être réinitialisés	Débranchez la laveuse, attendez 2 minutes, rebranchez-la et appuyez sur Start (départ).
	Vous n'avez pas appuyé sur Start (départ)	Appuyez sur Start (départ).
Le sachet de détergent ne se dissout pas dans le compartiment de distribution pour sachets de détergent.	Eau de lavage trop froide ou type/quantité de sachets de détergent incorrect	Nous recommandons l'utilisation de sachets de détergent à haute efficacité tels que Tide PODS™ ou Gain Flings™. Lorsque vous utilisez un cycle délicat, placez le sachet de détergent dans le bas du panier, cela facilitera la décomposition du sachet avec une agitation plus faible. Sélectionnez une température plus chaude, si possible, pour améliorer la dissolution des sachets de détergent. N'excédez pas le nombre de sachets recommandé par le fabricant. ^a
Modification inexplicquée du temps et/ou des réglages	Modification des options (certains modèles)	Ceci est normal. Plusieurs options changeront d'autres options pour optimiser la performance de la laveuse.
Le tambour ne semble pas attaché	Le tambour bouge ou tourne librement	Le tambour de la laveuse ne possède pas un frein traditionnel. Le tambour tournera librement. Ceci est normal.
Taches de couleur sur les vêtements	Utilisation inappropriée de l'assouplissant	Lisez l'étiquette de l'assouplissant et suivez les instructions pour l'utilisation avec un distributeur. Assurez-vous d'avoir sélectionné l'option de Deep Rinse (rinçage en profondeur). Appliquez un détachant et relavez le linge en effectuant un Speed Wash (lavage rapide) avant le séchage.
	Linge qui a déteint	Séparez les blancs ou couleurs claires des couleurs foncées.
Linge terni ou jauni	Quantité de détergent	Veillez à suivre les instructions du fabricant du détergent.
	Eau dure	Utilisez un produit anticalcaire ou installez un adoucisseur d'eau.
	L'eau n'est pas assez chaude	Assurez-vous que le chauffe-eau de votre domicile fournit de l'eau de 120 à 140 °F (48 à 60 °C).
	La laveuse est trop chargée	Chargez le linge sans l'entasser et sans dépasser la rangée supérieure de trous du tambour. Pour de meilleurs résultats, chargez le linge en le positionnant sur le tour extérieur du tambour.
	Linge qui a déteint	Triez le linge par couleur. Si l'étiquette précise de laver un article séparément, il se peut que les couleurs déteignent.
Charpie ou résidus le linge	Le linge sèche à l'air libre ou sur corde	Si vous ne séchez pas votre linge en machine, il se peut qu'il retienne plus de charpie.
	Mauvais tri du linge	Séparez les articles qui produisent de la charpie de ceux qui l'attirent.
	Lavage trop long	Lavez les petites charges moins longtemps en utilisant le réglage Light Soil (Saleté légère).
	Le détergent ne se dissout pas	Relavez, la prochaine fois : Essayez un détergent liquide ; Utilisez une température d'eau plus chaude.
	Surcharge	Chargez le linge dans le tambour sans l'entasser. Pour de meilleurs résultats, chargez le linge en le positionnant sur le tour extérieur du tambour.
	Utilisation inappropriée de l'assouplissant	Lisez l'étiquette de l'assouplissant et suivez les instructions pour l'utilisation avec un distributeur. Assurez-vous d'avoir sélectionné l'option de Deep Rinse (rinçage en profondeur).

Conseils de Dépannage...Avant d'appeler un réparateur

Problème	Causes possibles	Solutions
Linge trop mouillé	Aucune sélection d'essorage	Sélectionnez une option d'essorage.
	Sélection de programme inapproprié	Assurez-vous que le programme sélectionné correspond à votre type de linge. Certains tissus semblent plus mouillés lorsqu'ils sont rincés à l'eau froide.
	La charge est déséquilibrée	Répartissez le linge dans la laveuse et lancez un programme Drain & Spin (drainer et essorer).
Une lumière clignotante de Spin ou de la lumière de Spin sur en fin de cycle	Une condition de déséquilibre est détectée par la laveuse	Laisser le programme se poursuivre et la finition. La charge est plus humide que normalement à la fin du cycle, répartissez la charge uniformément dans le panier de lavage et commencez un cycle de Drain & Spin (drainer et essorer).
Boulochage	Usure normale des mélanges à base de polycoton et des tissus pelucheux	Même si ce problème n'est pas dû à la laveuse, vous pouvez atténuer le boulochage en lavant les vêtements sur leur envers.
Accrocs, trous, déchirures, fentes ou usure excessive	Épingles, boutons-pression, crochets, boutons aux coins tranchants, boucles de ceinture, fermetures à glissière et objets pointus laissés dans les poches	Fermez les boutons-pression, crochets et fermetures à glissière et boutonnez les vêtements. Retirez les objets amovibles comme les épingles, le contenu des poches et les boutons aux coins tranchants. Retournez les tricots (dont les fils se tirent plus facilement).
	Agent chloré de blanchiment non dilué	Vérifiez le dosage recommandé dans les instructions sur l'emballage. N'ajoutez jamais d'agent de blanchiment non dilué lors du lavage et ne le laissez pas entrer en contact avec le linge.
	Produits chimiques comme le colorant ou le décolorant capillaires, la solution à permanente	Rincez les articles qui peuvent contenir des produits chimiques avant de les laver. Effectuez un Speed Wash (lavage rapide) avec l'option Extra Rinse (rinçage supplémentaire).
Plis	Programmes de lavage et de séchage inappropriés	Faites correspondre le programme sélectionné au type de linge à laver (particulièrement pour le linge à entretien facile).
	Triage inadéquat	Évitez de mélanger les tissus lourds (comme les jeans) avec les légers (chemisiers). Ajoutez un assouplissant.
	Surcharge	Chargez le linge dans le tambour sans l'entasser.
	Lavages répétés dans une eau trop chaude	Lavez le linge à l'eau tiède ou froide.

Sons	Causes possibles	Motif
Cliquetis	Le mécanisme d'embrayage s'enclenche et se désenclenche	Le système d'entraînement embraye au début du brassage et débraye à la fin. Cela se produit plusieurs fois pendant le lavage.
Bruissement	Le moteur électrique change de direction	Le son produit est celui du moteur qui tourne dans un sens, puis dans l'autre pour laver votre linge.
Cliquetis derrière le tableau de commande lors du remplissage	Le moteur accélère/ralentit de la température	Deux robinets mélangent l'eau chaude et l'eau froide. Le cliquetis se produit lorsque l'un des robinets s'ouvre ou se ferme pour augmenter ou diminuer la température de l'eau de remplissage.
Le débit de l'eau change lors du remplissage	Le moteur accélère/ralentit de la température	Deux robinets mélangent l'eau chaude et l'eau froide. Le débit change lorsque l'un des robinets s'ouvre ou se ferme pour augmenter ou diminuer la température de l'eau de remplissage.
Bruits de moteur durant l'essorage	Le moteur accélère/ralentit lors de l'essorage	Le moteur accélère par paliers lors de l'essorage. Lorsque l'essorage est terminé, il tourne librement jusqu'à ce qu'il s'arrête.
Bourdonnement	Pompe de vidange de l'eau	La pompe de vidange émet un bourdonnement lorsqu'elle aspire l'eau après le brassage et continue jusqu'à ce que l'essorage soit terminé.
	Moteur d'entraînement	Le moteur d'entraînement émettra un bourdonnement durant les phases de lavage et d'essorage du cycle.
Glougloutement	Pompe de vidange de l'eau	Lorsque la pompe commence à aspirer de l'air, elle produit un glougloutement. La laveuse doit alors commencer à essorer et le son continue jusqu'à ce que l'essorage soit terminé.
Bruissement de l'eau	Processus de lavage	Il est normal que l'eau bruisse lorsque le brassage est en cours, particulièrement avec les plus petits volumes de linge.
La laveuse bouge/se balance	Les pieds de nivellement de la laveuse ne sont pas de niveau	Pour mettre la laveuse de niveau, réglez les pieds de mise à niveau en tournant chaque pied individuellement dans le sens approprié pour le lever ou le baisser.
Bruit de « grincement »	La laveuse n'est pas de niveau et elle frotte contre une armoire	Pour mettre la laveuse de niveau, réglez les pieds de mise à niveau en tournant chaque pied individuellement dans le sens approprié pour le lever ou le baisser.

Laveuse sons qui peut être différente de votre laveuse avant :

Les cliquetis, de l'eau qui coule, les bruits d'embrayage suivies par des pauses, et les sons de bourdonnement électriques font partie du cycle de lavage normal.

Pour écouter et regarder des vidéos de fonctionnement normal de la laveuse, s'il vous plaît aller à <http://products.geappliances.com/appliance/gea-support-search-content?contentid=23061> ou scannez le QR code. **NOTE** : Le site est en anglais seulement, mais les vidéos sont encore utiles à écouter les sons que vous pouvez entendre.



Garantie limitée de la laveuse GE Appliances

GARANTIE LIMITÉE

electromenagersge.ca

Toutes les réparations sous garantie seront effectuées par nos centres de réparation ou nos réparateurs autorisés. Appelez le **1.800.561.3344**. Veuillez fournir le numéro de série et le numéro de modèle lorsque vous appelez pour obtenir le service.

Pour le diagnostic, la réparation de votre appareil peut nécessiter l'utilisation du port de données embarqué. Celui-ci permet au technicien de réparation GE Appliances de diagnostiquer rapidement des problèmes avec votre appareil. Il permet également à GE Appliances d'améliorer ses produits en fournissant à ces derniers des informations sur votre appareil. Si vous ne voulez pas que les données de votre appareil soient envoyées à GE Appliances, veuillez demander à votre technicien de NE PAS soumettre les données à GE Appliances pendant la réparation.

Pendant la période de :	Nous remplacerons
Un an À compter de la date d'achat d'origine	Toute pièce défectueuse en raison d'un vice de matériau ou de fabrication. Au cours de cette garantie limitée d'un an , nous fournirons également, sans frais , les pièces et la main-d'œuvre pour remplacer la pièce défectueuse.
Dix ans À compter de la date d'achat d'origine	Le moteur , si celui-ci se révèle défectueux en raison d'un vice de matériaux ou de fabrication. Pendant cette garantie limitée complémentaire de neuf ans , vous serez responsable des frais de main-d'œuvre et de service associés.

Ce qui n'est pas couvert :

- Toute visite à votre domicile pour vous expliquer le fonctionnement de l'appareil.
- L'installation, la livraison ou l'entretien inadéquats de l'appareil.
- Toute défectuosité du produit attribuable à une utilisation abusive ou inadéquate, s'il a été utilisé à toute autre fin que celle pour laquelle il a été conçu, ou s'il a été utilisé à des fins commerciales.
- Le remplacement des fusibles ou le réenclenchement des disjoncteurs de votre domicile.
- Les produits qui ne sont pas défectueux ou brisés, ou qui fonctionnent tel que décrit dans le Manuel de l'utilisateur.
- Tout dommage au produit attribuable à un accident, un incendie, une inondation ou une catastrophe naturelle.
- Tout dommage accessoire ou indirect, causé par des défaillances possibles de l'appareil.
- Les défectuosités ou les dommages causés par une utilisation de l'appareil à des températures situées sous le point de congélation.
- Tout dommage causé après la livraison.
- Tout produit auquel il n'est pas possible d'accéder pour effectuer les réparations nécessaires.

EXCLUSION DES GARANTIES IMPLICITES :

Votre seul et unique recours est de faire réparer le produit dans le cadre de cette Garantie Limitée. Toute garantie implicite, incluant la garantie de qualité marchande ou d'adaptabilité du produit à un usage particulier, est limitée à un an ou à la période la plus courte autorisée par la loi.

Cette garantie limitée est offerte à l'acheteur initial, ainsi qu'à tout propriétaire subséquent d'un produit acheté au Canada en vue d'une utilisation domestique au Canada. Si le produit se situe dans une zone où aucun réparateur agréé par GE Appliances n'est disponible, vous devrez peut-être assumer les frais de déplacement de celui-ci ou apporter le produit à un atelier de réparation agréé par GE Appliances.

Dans certains États ou province, il est interdit d'exclure ou de limiter les dommages indirects ou accessoires. Il est alors possible que les limitations ou exclusions ci-dessus ne s'appliquent pas dans votre cas. La présente garantie limitée vous confère des droits juridiques spécifiques. Vous pouvez bénéficier d'autres droits, qui varient d'un État ou d'une province à l'autre. Pour connaître les droits dont vous bénéficiez, communiquez avec le bureau des Relations avec les consommateurs de votre région ou de votre province.

Garant : MC Commercial Inc., Burlington, ON, L7R 5B6

Agrafez le reçu d'achat ici. Pour obtenir le service sous garantie, vous devrez fournir la preuve de l'achat original.

Soutien au consommateur

Site Web de GE Appliances

Vous avez une question ou vous avez besoin d'aide pour votre appareil électroménager? Visitez le site Web de GE Appliances 24 heures par jour, tous les jours de l'année! Vous pouvez aussi y trouver d'autres formidables produits GE Appliances et tirer avantage de tous nos services d'assistance en ligne. Au Canada : **ElectromenagersGE.ca/fr**

Enregistrez votre électroménager

Enregistrez votre nouvel appareil en ligne au moment qui vous convient le mieux! L'enregistrement de votre produit dans les délais prescrits permet une meilleure communication et un service rapide, selon les modalités de votre garantie, si besoin est. Vous pouvez également envoyer par courrier la carte d'enregistrement pré-imprimée qui se trouve dans l'emballage de votre appareil.

Au Canada : **Prodsupport.mabe.ca/crm/Products/ProductRegistration.aspx**

Service de réparation

Un service de réparation expert GE Appliances se trouve à quelques pas de chez vous. Rendez-vous sur notre site et programmez, à votre convenance, une visite de réparation à n'importe quel jour de l'année.

Au Canada : **electromenagersge.ca/fr/soutien/demande-de-service** ou composez le 800.561.3344

Prolongation de garantie

Procurez-vous une prolongation de garantie GE Appliances et informez-vous des rabais spéciaux en vigueur pendant la durée de votre garantie. Vous pouvez vous la procurer en ligne en tout temps. Les services GE Appliances seront toujours disponibles après l'expiration de la garantie.

Au Canada : **electromenagersge.ca/fr/soutien/achat-d-une-garantie-prolongee** ou composez le 866.277.9842.

Connectivité à distance

Pour de l'assistance concernant la connectivité au réseau sans fil, visitez notre site Web au **electromenagersge.ca/fr/nouvelles-et-promotions/nouveautes/wifi-connect/** ou composez le 800.220.6899.

Pièces et accessoires

Les personnes ayant les compétences requises pour réparer elles-mêmes leurs appareils peuvent recevoir directement à la maison des pièces ou accessoires (les cartes VISA, MasterCard et Discover sont acceptées). Commandez en ligne 24 heures par jour.

Au Canada : **electromenagersge.ca/fr/produits/filtres-et-accessoires** ou composer le 800.661.1616.

Les instructions contenues dans le présent manuel comportent des procédures que tout utilisateur peut effectuer. Les autres types de réparation doivent généralement être confiés à un technicien qualifié. Utilisez de prudence : une réparation ou un entretien mal effectués peuvent rendre l'utilisation de l'appareil dangereuse.

Communiquez avec nous

Si vous n'êtes pas satisfait du service après-vente de GE Appliances, communiquez avec nous depuis notre site Web en fournissant tous les détails dont votre numéro de téléphone, ou écrivez à :

Au Canada : Director, Consumer Relations, MC COMMERCIAL INC. | Suite 310, 1 Factory Lane | Moncton, N.B. E1C 9M3
electromenagersge.ca/fr/contactez-nous ou composer le 877.994.5366



LAVADORAS

INSTRUCCIONES DE SEGURIDAD 3

USAR LA LAVADORA
 Puesta en Marcha5
 Carga13
 Comunicación del Electrodoméstico14

CUIDADO Y LIMPIEZA.....15

INSTRUCCIONES DE INSTALACIÓN17

CONSEJOS PARA LA SOLUCIÓN DE PROBLEMAS22

GARANTÍA LIMITADA25

ATENCIÓN AL CLIENTE 26

MANUAL DEL PROPIETARIO E INSTALACIÓN

- PTW905
- PTW900
- PTW805
- PTW800
- PTW705
- PTW700
- PTW605
- PTW600

Escriba el número de modelo y de serie aquí:

N.º de modelo # _____

N.º de serie # _____

Puede encontrarlos bajo la puerta de la lavadora.

GO35

GRACIAS POR HACER QUE GE APPLIANCES SEA PARTE DE SU HOGAR.

Ya sea que haya crecido usando GE Appliances, o que ésta es su primera vez, nos complace tenerlo en la familia.

Sentimos orgullo por el nivel de arte, innovación y diseño de cada uno de los electrodomésticos de GE Appliances, y creemos que usted también. Entre otras cosas, el registro de su electrodoméstico asegura que podamos entregarle información importante del producto y detalles de la garantía cuando los necesite.

Registre su electrodoméstico GE ahora a través de Internet. Sitios Web y números telefónicos útiles están disponibles en la sección de Soporte para el Consumidor de este Manual del Propietario.

También puede enviar una carta en la tarjeta de inscripción preimpresa que se incluye con el material embalado.



INFORMACIÓN IMPORTANTE DE SEGURIDAD

LEA TODAS LAS INSTRUCCIONES ANTES DE USAR

▲ ADVERTENCIA

Para reducir el riesgo de muerte, incendio, explosión, descargas eléctricas o lesiones sobre las personas al usar su electrodoméstico, siga las precauciones básicas, incluyendo lo siguiente:

- Lea todas las instrucciones antes de usar este electrodoméstico.
- Siga todas las instrucciones y advertencias de cuidado de tejidos para evitar el derretimiento de las prendas o daños al aparato.
- **NO** lave ni seque prendas que en forma previa hayan sido secadas, lavadas, mojadas o manchadas con gasolina, solventes de limpieza en seco, u otras sustancias inflamables o explosivas, ya que despiden vapores que se podrían encender o explotar.
- **NO** agregue gasolina, solventes de limpieza en seco, u otras sustancias inflamables o explosivas al agua de lavado. Estas sustancias despiden vapores que se podrían prender fuego o explotar.
- Bajo ciertas condiciones, se podrá producir gas de hidrógeno en un sistema de agua caliente que no fue usado por 2 semanas o más. **EL GAS DE HIDRÓGENO ES UN EXPLOSIVO**. Si el sistema de agua caliente no fue usado por dicho período, antes de usar una lavadora, abra todos los grifos de agua caliente y deje que corra agua de cada uno durante varios minutos. Esto liberará cualquier gas de hidrógeno acumulado. Debido a que el gas es inflamable, **NO** fume ni use una llama abierta durante este proceso.
- Riesgo de asfixia y lesiones por atrapamiento: **NO** permita que los niños jueguen sobre o dentro de este electrodoméstico. Cuando el electrodoméstico se use cerca de niños, será necesario supervisarlos de cerca. Antes de dejar la lavadora fuera de servicio o de deshacerse de ésta, quite la puerta o la tapa. Si no se siguen estas instrucciones, se podrá producir la muerte o lesiones personales.
- **NO** introduzca las manos en el electrodoméstico si el tambor o agitador se encuentra en movimiento a fin de evitar enredos accidentales.
- Para artículos impermeables, resistentes al agua y voluminosos, utilice solamente el ciclo **Bulky** (Artículos Voluminosos) o **Delicates** (Delicados). **NO** utilice otros ciclos para estos artículos. El uso de otros ciclos puede causar vibraciones excesivas y puede causar lesiones o daños a la lavadora, paredes o piso. **NO** mezcle artículos impermeables y no impermeables.
- **NO** instale ni guarde este electrodoméstico donde quede expuesto a los factores climáticos.
- **NO** manipule indebidamente los controles, reparar ni reemplazar cualquier parte del electrodoméstico o realizar cualquier otro trabajo técnico, a menos que esto sea específicamente recomendado en las instrucciones de mantenimiento del usuario o en instrucciones publicadas sobre reparaciones del usuario, que entienda y para las cuales posea las destrezas necesarias.
- **NO** intente usar este electrodoméstico si se encuentra dañado, funcionando mal, parcialmente desensamblado, o si tiene partes faltantes o rotas, incluyendo un cable o enchufe dañado.
- **NO** utilice piezas de reemplazo que no hayan sido recomendadas por el fabricante. (Por ejemplo: piezas hechas en casa usando una impresora 3D).
- Desenchufe el electrodoméstico o apague el disyuntor antes de realizar el servicio técnico. Presionar el botón **Power** (Encendido) **NO** desconecta el encendido.
- Para acceder a las instrucciones de conexión a tierra, lea los "REQUISITOS ELÉCTRICOS" ubicados en las Instrucciones de Instalación.

Forma adecuada de descartar su electrodoméstico

- Descarte o recicle su electrodoméstico de acuerdo con las Regulaciones Federales y Locales. Comuníquese con las autoridades locales para descartar o reciclar su electrodoméstico de forma ambientalmente segura.

LEA Y GUARDE ESTAS INSTRUCCIONES

INFORMACIÓN IMPORTANTE DE SEGURIDAD LEA TODAS LAS INSTRUCCIONES ANTES DE USAR

INSTALACIÓN CORRECTA

La lavadora se debe instalar y colocar correctamente de acuerdo con las instrucciones de instalación, antes de utilizarla.

- Asegúrese de que la manguera de agua caliente esté conectada a la válvula "H" y que la manguera de agua fría esté conectada a la válvula "C".
- Instale o almacene la lavadora en un lugar donde no esté expuesta a temperaturas bajo cero ni a las inclemencias climáticas, ya que esto puede provocar daños irreversibles e invalidar la garantía.
- Conecte correctamente a tierra la lavadora de conformidad con todos los códigos y ordenanzas regulatorias. Siga la información de Instrucciones de instalación.
- Asegúrese de que la lavadora esté correctamente nivelada y que sus patas estén ajustadas de modo que la unidad se encuentre estable.
- Se recomienda una extensión opcional de la manguera de drenaje para descargas en alturas de 60" a 96".
- GE Appliances recomienda enfáticamente el uso de piezas especificadas de fábrica. A continuación se encuentra una lista de mangueras de fábrica disponibles para la compra. Estas mangueras están fabricadas y probadas para cumplir con las especificaciones de GE Appliances.
- GE Appliances recomienda enfáticamente el uso de mangueras nuevas de suministro de agua. Las mangueras se desgastan con el tiempo y deben reemplazarse cada 5 años para reducir el riesgo de fallas en las mangueras y daños provocados por el agua.
- Tenga en cuenta las opciones de reciclaje del material de embalaje de su electrodoméstico.

SECUENCIA DE INICIO

- En cualquier momento en que la lavadora se inicie o se reinicie una vez abierta y cerrada su tapa, la misma activará la válvula de agua fría o bomba de drenaje durante dos períodos cortos seguidos por una pausa de 10 minutos antes de continuar. Si la tapa es abierta durante este período, la lavadora se pausará. Se deberá presionar el botón **Start** (Iniciar) nuevamente para reiniciar el ciclo.

SECUENCIA AUTOMÁTICA DE DRENAJE

- La lavadora se vacía automáticamente cada vez que la tapa se queda abierta durante más de 15 minutos y hay agua.
- La máquina se drenará automáticamente si se deja en estado de pausa con la tapa cerrada durante más de 24 horas y hay agua presente.
- Mientras se encuentre en el modo WATER STATION (Estación de Agua), la máquina realizará el drenaje de forma automática luego de que la perilla de ciclo se cambie a otro ciclo. En algunos modelos, esta función sólo podrá estar disponible a través de la aplicación SmartHQ de GE Appliances.

CUANDO NO ESTÉ EN USO

- Cierre las llaves de paso minimizar las fugas en caso de que se produzca una rotura o grieta. Compruebe el estado de las mangueras de llenado; GE Appliances recomienda el cambio de las mangueras cada 5 años.

PIEZAS Y ACCESORIOS

Solicítelos on-line hoy mismo a GEApplianceparts.com, las 24 horas del día o por teléfono al **800.626.2002** en horario normal de trabajo.

WH49X301
PM7X2

Extensión de la manguera de drenaje
Bandeja del Piso de la Lavadora

Número de Pieza

PM14X10002

Accesorio

Mangueras de goma de suministro de agua de 4 pies

O

PM14X10005

Mangueras trenzada de suministro de agua de 4 pies

LEA Y GUARDE ESTAS INSTRUCCIONES

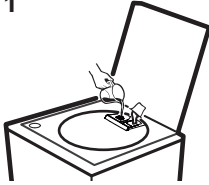
Puesta en Marcha

⚠ ADVERTENCIA

Para reducir el riesgo de incendios, descargas eléctricas o heridas, lea las INSTRUCCIONES IMPORTANTES DE SEGURIDAD antes de utilizar este electrodoméstico.

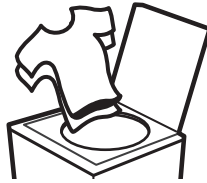
Es posible que las funciones y apariencias varíen con relación a su modelo a lo largo del manual.

Paso 1



- Agregue el suavizante al dosificador para suavizante. **IMPORTANTE:** Para uso con detergente, consulte la sección específica del dispensador de su modelo en este manual.
- Si se usarán paquetes de detergente, agregue los mismos a el compartimento del Dispensador del Paquete de Lavandería o agregue los mismos a la parte inferior de la canasta de lavado antes de agregar la ropa. Recomendamos el uso de paquetes de lavandería de Alta Eficiencia tales como Tide PODS™ o Gain Flings™.

Paso 2



- Agregue las prendas sin ajustar alrededor del agitador o Infusor. Sobrecargar el tambor puede producir un impacto negativo en el desempeño de lavado. Consulte la página 13 para obtener ejemplos de carga sugeridos.
- Si no se usará un dispensador, agregue la cantidad de detergente recomendada por el fabricante hasta el tope de la carga luego de agregar la ropa. Recomendamos el uso de detergentes de Alta Eficiencia tales como Tide en su lavadora con eficiencia energética.

Paso 3



- Cierre la tapa. **NOTA:** La unidad no arrancará con la tapa abierta excepto en el ciclo Bulky (Artículos Voluminosos).
- Seleccione el ciclo de lavado.
- Seleccione el opciones de lavado, incluyendo la opción Deep Rinse (Enjuague Profundo) al usar suavizante para telas.
- Seleccione las opciones.

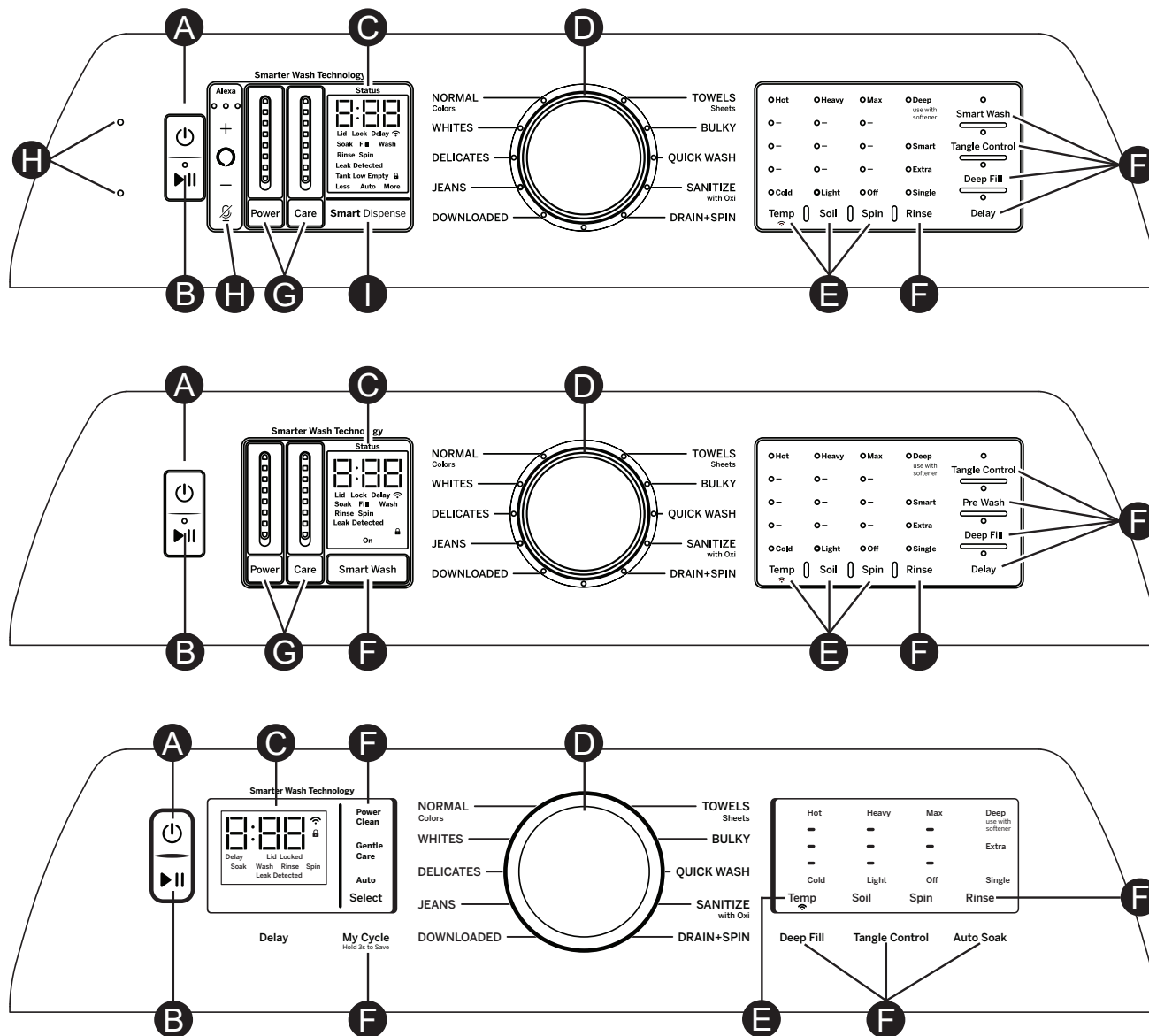
Paso 4



- Oprima Start.

Puesta en Marcha

Las características y apariencia variarán.



A Power (Encendido)

Presione para "activar" la pantalla. Si la pantalla está activa, presione para que la lavadora quede en el modo inactivo. **NOTA:** Presionar **Power** (Encendido) no desconecta el electrodoméstico del suministro de corriente.

B Start/Pause (Inicio/Pausa)

Presione **Start** (Inicio) para comenzar el ciclo. **NOTA:** A menos que se seleccione el ciclo **Bulky** (Artículos Voluminosos), la tapa se deberá cerrar para que la lavadora el ciclo comience. Si la tapa está abierta, se visualizará "Lid" (Tapa) a través de la pantalla. Durante la parte de detección de carga del ciclo, la tapa se bloqueará y "SEnSing" se desplazará a través de la pantalla. Cuando se complete la detección de carga, la tapa se desbloqueará.

Presionar **Pause** (Pausa) desbloqueará la tapa (si se encuentra bloqueada en ese momento), pausará el ciclo y la luz del indicador de **Start** (Inicio) titilará.

Para continuar el ciclo, presione **Start** (Inicio) nuevamente. Si el agua permanece en la máquina, seleccione el ciclo **Drain & Spin** (Drenar y Girar) para drenar el tubo y desagotar el agua de la lavadora. La lavadora se parará automáticamente y drenará cuando haya agua y la tapa se dejará abierta durante 15 minutos o la unidad se quedará en estado de pausa durante 24 horas con la tapa cerrada. Seleccione el ciclo y presione Start para comenzar el nuevo ciclo.

Puesta en Marcha

Display and Status Lights (Pantalla y las Luces de Status (Estatus))

Pantalla: La pantalla muestra el tiempo restante **aproximado** hasta el final del ciclo. **NOTA:** El tiempo del ciclo es afectado por el tiempo que toma llenar la lavadora. Esto depende de la presión del agua en su hogar. El tamaño de la carga lavada también impacta significativamente sobre el tiempo del ciclo, ya que las cargas más grandes demoran más tiempo.

Además, esta pantalla “mostrará” el estado de la lavadora:

- **bALAnCING** Comienzo del ciclo de rebalanceo para redistribuir la ropa. Se detiene una vez completado el rebalanceo.
- **dELAY** Cuando **Delayed Wash** (Lavado Retrasado) es iniciado. Reemplazado con tiempo estimado cuando comienza el ciclo.
- **End** Fin del ciclo actual.
- **FILL** “FILL” (Relleno) se desplazará por la pantalla durante el llenado. Después se mostrará el final estimado del tiempo de ciclo.
- **H2O SUPPLY** No puede sentir el nivel del agua (es posible que el suministro de agua están apagadas).
- **Lid** El ciclo se detuvo porque la tapa está abierta. Cierre la tapa y presione el botón de **Start** (Inicio) si es necesario.
- **SEnSing** Siente un problema de desbalance, ítems impermeables, o el tamaño y tipo de carga antes y durante el llenado (normal).
- **PAUSE** Ciclo pausado debido a que la tapa se abrió durante la secuencia de inicio o que fue presionado el botón **Start/Pause** (Iniciar/ Pausar). Presione el botón **Start** (Inicio) nuevamente para reiniciar el ciclo.

Luces de estado del ciclo: Muestra si la lavadora está en el ciclo **Pre-wash** (Pre-wash), **Delay** (retraso), **Fill** (llenado), **Soak** (Enjuagar) (en algunos modelos), **Wash** (Lavar), **Rinse** (Enjuagar) o **Spin** (Girar). **NOTA:** Las luces de estatus del ciclo varían de acuerdo con el modelo.

Si una condición de desequilibrio es detectado por la lavadora, el indicador de Giro (Spin) parpadeará durante la parte restante del ciclo y permanecerá iluminado durante un corto tiempo después del fin del ciclo. Cuando este ocurre, la lavadora está tomando medidas para corregir la condición de desequilibrio y completar el ciclo normalmente. En algunos casos, es posible que la lavadora no pueda ser capaz de equilibrar la carga y girar a plena velocidad. Si se observa que la carga es más húmedo de lo normal al fin del ciclo, redistribuye la carga de manera uniforme en el tambor de lavado y ejecute un ciclo de **Drain & Spin** (Drenaje y Giro).

Las luces de estado de las funciones indican (lea las secciones **F** y **G** para más detalles):

- **|| Pause** - Se indicará cuando la lavadora se encuentre pausada entre ciclos.
- **🔒 Controls** (Controles) – Lavadora está bloqueada – titilará una vez si presiona cualquier botón o gira perilla de ciclo.
- **🔒 Lid Lock** (Tapa está bloqueada) - Consulte descripción **Bloqueo del Control**.
- **📶 WiFi** (en algunos modelos) - Se exhibirá cuando la lavadora esté conectada a través de WiFi. Titilará cuando esté intentando conectar su dispositivo al WiFi de su hogar.

Spin Stop (Detención del Giro) – indica que la canasta de lavado empieza a dejar de girar hasta detenerse. La tapa no se desbloqueará hasta que la canasta se haya detenido completamente.

Indicador de Ayuda al Consumidor

Su lavadora está equipada con la función Consumer Help Indicator (Indicador de Ayuda al Consumidor, CHI). CHI es nuestra forma de comunicar una solución simple para algunas acciones que usted puede realizar sin la necesidad de llamar al servicio técnico. El siguiente cuadro describe los mensajes útiles que podrá ver pasar por la pantalla al regresar para iniciar otra carga. Estos mensajes brindarán soluciones simples que puede realizar de forma rápida.

Spin (Luz intermitente de giro)	Si una condición de desequilibrio es detectado por la lavadora, el indicador de Giro (Spin) parpadeará durante la parte restante del ciclo y permanecerá iluminado durante un corto tiempo después del fin del ciclo. Cuando este ocurre, la lavadora está tomando medidas para corregir la condición de desequilibrio y completar el ciclo normalmente. En algunos casos, es posible que la lavadora no pueda ser capaz de equilibrar la carga y girar a plena velocidad. Si se observa que la carga es más húmedo de lo normal al fin del ciclo, redistribuye la carga de manera uniforme en el tambor de lavado y ejecute un ciclo de Drain & Spin (Drenaje y Giro).
“H2O SUPPLY” (El agua no entra a la lavadora)	Controle el suministro de agua del hogar. ¿Olvidó abrir una o ambas válvulas luego de la instalación o al volver de sus vacaciones? Tan pronto como el mensaje comience a pasar, la lavadora iniciará un período de bloqueo de 4 minutos. Los controles de la lavadora no responden/ cambian durante este tiempo. Luego de 4 minutos, puede comenzar el ciclo nuevamente. Si intenta eludir el período de bloqueo desenchufando la lavadora, el temporizador de 4 minutos se iniciará nuevamente.
“CAnCELEd” (Cancelado)	Cancelado puede desplazarse en la pantalla si la máquina se detuvo por más de 24 horas o si la máquina se ha parado por sí misma debido a ciertos errores antes que el ciclo sea completado. Tan pronto como el mensaje comience a desplazarse, la lavadora se iniciará un período de bloqueo de 4 minutos. Los controles de la lavadora no responderán/cambiarán durante este tiempo. Luego de 4 minutos puede comenzar el ciclo nuevamente. Si intenta eludir el período de bloqueo desenchufando la lavadora, el temporizador de 4 minutos se iniciará de nuevo. Si el problema persiste, llame al 800.561.3344 para el servicio.
“Lid” (Tapa)	“Lid” (Tapa) se mostrará en la pantalla si 3 ciclos se han iniciado sin abrir la tapa. La lavadora no se iniciará otro ciclo hasta que se abra la tapa. Trate de abrir, a continuación, cierre la tapa y inicie un nuevo ciclo. Si el problema persiste, llame al 800.561.3344 para el servicio.

Puesta en Marcha

D Perilla de Ciclos de Lavado-Selector de Ciclo

El ciclo de lavado controla el tipo de proceso de lavado. La perilla Selector de Ciclo se puede girar en cualquier dirección. Girar la perilla luego de iniciar un ciclo detendrá la lavadora y modificará el ciclo/ opciones en la nueva selección. Presione **Start** (Iniciar) para comenzar la selección del nuevo ciclo.

El siguiente cuadro le ayudará a encontrar la mejor combinación entre las prendas que serán lavadas y las mejores configuraciones de ciclos de lavado. Para un rendimiento óptimo, seleccione el ciclo más conveniente para las prendas que serán lavadas.

Las selecciones y opciones en **negrita** son configuraciones recomendados para ese ciclo.

Es posible que algunos ciclos y opciones no estén disponibles en algunos modelos.

Downloaded (Descargado)

Use esta función con la Aplicación SmartHQ para descargar ciclos adicionales a su lavadora. Por omisión se activa el ciclo **Active Wear** (Ropa Informal) (consulte la siguiente tabla).

Prendas a Lavar	Ciclo	Temperatura de Lavado	Nivel de Suciedad	Selección del Giro (Duración)	Opciones deshabilitadas	Detalles del Ciclo
Ciclo para el uso normal, regular o típica para el lavado hasta una carga completa de ropa de algodón de suciedad normal.	Colores Normal	Caliente Tibio Colores Fresca Fría Fría del Grifo	Sucia Sucia (-) Normal Apenas Sucia (+) Apenas Sucia	Máx. ++ + Normal Apagada	Llenado Intenso	Ciclo para el uso normal, regular o típica para el lavado hasta una carga completa de ropa de algodón de suciedad normal. Elija la selección de nivel de suciedad Heavy (Sucio) o Extra Heavy (Muy Sucio) o la selección de temperatura Hot Water (Agua Caliente), según sea apropiado para su carga de ropa en un nivel de lavado más alto. Incorpora llenados con pasos múltiples y períodos de lavado para brindar un cuidado óptimo de las telas.
Lencería y telas que requieren cuidado especial con suciedad entre leve.	Prendas delicadas	Caliente Tibio Colores Fresca Fría Fría del Grifo	Sucia Sucia (-) Normal Apenas Sucia (+) Apenas Sucia	Máx. ++ + Normal Apagada	Control de Enredo	Utiliza un perfil de agitación extra suave de "tres pulsos" y una baja velocidad de centrifugado para brindar cuidado especial a las telas delicadas. Se recomienda colocar las prendas pequeñas o ultra delicadas en bolsas de malla antes del lavado.
Para pequeñas cantidades de prendas con poca suciedad que se necesitan de forma rápida. Ejemplos incluyen un equipo de uso casual o 3 uniformes de fútbol	Lavado Rápido	Caliente Tibio Colores Fresca Fría	Sucia Sucia (-) Normal Apenas Sucia (+) Apenas Sucia	Máx. ++ + Normal Apagada	Ninguno	Utiliza un perfil de agitación intensa y un período de lavado acelerado a fin de lavar cargas pequeñas que estén apenas sucias en el menor tiempo posible.
Carga de prendas mojadas. Para aquellas prendas que sólo necesitan ser enjuagadas, use este ciclo con la opción Deep Rinse (Enjuague Profundo).	Drenaje y Giro			Máx. ++ + Normal Apagada	Limpieza Intensa Cuidado Suave Control de Enredo Remojo Automático Lavado Inteligente Enjuague Inteligente Prelavado Dispensado Inteligente	Utiliza un giro de alta velocidad para extraer el agua de las prendas mojadas. Para aquellas prendas que necesitan ser enjuagadas, seleccione la opción Deep Rinse (Enjuague Profundo) al usar este ciclo.
Prendas muy sucias que no destiñen	Desinfecte con Oxi*	Caliente	Sucia	Máx. ++ +	Limpieza Intensa Cuidado Suave Control de Enredo Remojo Automático Lavado Inteligente Enjuague Inteligente Prelavado Dispensado Inteligente	El ciclo usa un llenado de agua inicial más bajo para una desinfección súper concentrada y en alta temperatura, seguida por un paso de lavado pesado. Una purga de la bomba y un enjuague profundo es incorporado a fin de eliminar los contaminantes. Consulte los detalles a continuación. La función Smart Dispense (Dispensador Inteligente) no está disponible en este ciclo.
Vaqueros con suciedad entre media y leve.	Vaqueros inosos	Caliente Tibio Colores Fresca Fría Fría del Grifo	Sucia Sucia (-) Normal Apenas Sucia (+) Apenas Sucia	Máx. ++ + Normal Apagada	Ninguno	Combina niveles de agua superiores, un perfil de agitación diseñado especialmente, y un lavado con pasos múltiples para el cuidado de vaqueros con suciedad entre media y leve.
Resistente al agua, ropa de cama y artículos voluminosos, tales como grandes abrigos, almohadillas de colchón y estereras de baño.	Prendas Voluminosas	Caliente Tibio Colores Fresca Fría Fría del Grifo	Sucia Sucia (-) Normal Apenas Sucia (+) Apenas Sucia	Máx. ++ + Normal Apagada	Control de Enredo	Proporciona un nivel de llenado profundo / máximo de agua de lavado para lavar artículos voluminosos e impermeables. También incorpora un enjuague de llenado profundo para enjuagar con eficacia artículos voluminosos y un giro de baja velocidad apropiado para estos artículos. Utilice este ciclo sólo para artículos resistentes al agua, ropa de cama o artículos voluminosos.

Puesta en Marcha

D Perilla de Ciclos de Lavado-Selector de Ciclo

Prendas a Lavar	Ciclo	Temperatura de Lavado	Nivel de Suciedad	Selección del Giro (Duración)	Opciones Deshabilitadas	Detalles del Ciclo
Toallas Sábanas	Toallas/ Sábanas	Caliente Tibio Colores Fresca Fría Fría del Grifo	Sucia Sucia (-) Normal Apenas Sucia (+) Apenas Sucia	Máx. ++ + Normal Apagada	Ninguno	Ciclo diseñado para lavar toallas o sábanas, usando un nivel de agua más alto para lavar de forma efectiva estas prendas. Se recomienda que las toallas y sábanas sean lavadas de forma separada para un mejor cuidado y rendimiento del lavado. Para cubiertas impermeables de la cama utilice el ciclo Bulky .
Los blancos y ropa de hogares.	Blancos	Caliente Tibio Colores Fresca Fría Fría del Grifo	Sucia Sucia (-) Normal Apenas Sucia (+) Apenas Sucia	Máx. ++ + Normal Apagada	Ninguno	Ciclo adaptado para limpiar y dar brillo a sus blancos.
Diferentes telas especializadas	Descargado	Consulte la Aplicación SmartHQ				Ciclos especializados seleccionables a través de la Aplicación SmartHQ. Por omisión activa la función Active Wear (Ropa Informal)
Prendas deportivas con nivel de suciedad entre medio y leve de tejidos técnicos y sintéticos.	Ropa Informal (Descargado) Por Omisión	Caliente Tibio Colores Fresca Fría Fría del Grifo	Sucia Sucia (-) Normal Apenas Sucia (+) Apenas Sucia	Máx. ++ + Normal Apagada	Ninguno	Ciclo por omisión para la posición del ciclo Downloaded (Descargado). Ciclo diseñado para el cuidado de la tela de ropa informal, deportiva y de uso técnico con un nivel de suciedad entre medio y leve. Incorpora un período de lavado en dos etapas para tratar efectivamente la suciedad y los olores corporales.

⚠ ADVERTENCIA

No seguir de cerca estas instrucciones puede resultar en una condición de vibración anormal y desequilibrio que podría resultar en lesiones físicas, daños a la propiedad y/o daños al electrodoméstico.

Para artículos impermeables, resistentes al agua o voluminosos:

- Utilice solamente el ciclo **Bulky** (Artículos Voluminosos) (o **Delicates** (Delicados)).
- El uso de otros ciclos puede causar vibraciones excesivas y puede causar lesiones o daños a la lavadora, paredes o piso.
- No mezcle artículos impermeables y no impermeables.
- Lea el **Manual del Usuario** para los detalles del ciclo de lavado.

*Sanitize with Oxi (Desinfectar con Oxi)

El ciclo **Sanitize With Oxi** (Desinfectar con Oxi), cuando es usado con un aditivo de Oxi junto con su detergente, fue diseñado para eliminar el 99.9% de las bacterias en el lavado hogareño. Mida el detergente y los productos de Oxi cuidadosamente. Al usar las cantidades adecuadas para una carga grande y muy sucia en lavadoras de carga superior, siga las instrucciones de las etiquetas del detergente y del producto de Oxi. Para el ciclo **Sanitize With Oxi** (Desinfectar con Oxi) únicamente, agregue la ropa primero y luego coloque el detergente y el producto Oxi directamente sobre la carga. La conexión del suministro de agua caliente de la lavadora deberá brindar un mínimo de 120°F para asegurar la efectividad de este ciclo.

NOTA: La temperatura del ciclo con agua de la función **Sanitize With Oxi** (Desinfectar con Oxi) NO se puede modificar.

E Settings (Configuraciones)

Configuraciones individuales para temperatura del agua **Temp** (Temperatura), agitación **Soil** (Suciedad), y giro **Spin** (Giro) se pueden configurar de mínimo (inferior en la columna) a máximo (superior en la columna).

NOTA: Tiempos de Giro Más Prolongados típicamente reducen el tiempo de la secadora/uso de energía (es decir: reduce el uso de la energía total al usar tanto una lavadora como una secadora).

Temperature Selection							Soil Selection					Spin Selection				
Tap Cold		Cold	Cool	Colors	Warm	Hot	Light	Light +	Normal	Heavy -	Heavy	Off	Normal	+	++	Max
<input type="checkbox"/> Hot	<input type="checkbox"/> Hot	<input type="checkbox"/> Hot	<input type="checkbox"/> Hot	<input type="checkbox"/> Hot	<input checked="" type="checkbox"/> Hot	<input checked="" type="checkbox"/> Hot	<input type="checkbox"/> Heavy	<input type="checkbox"/> Heavy	<input type="checkbox"/> Heavy	<input type="checkbox"/> Heavy	<input checked="" type="checkbox"/> Heavy	<input type="checkbox"/> Max	<input type="checkbox"/> Max	<input type="checkbox"/> Max	<input type="checkbox"/> Max	<input checked="" type="checkbox"/> Max
<input type="checkbox"/> Warm	<input type="checkbox"/> Warm	<input type="checkbox"/> Warm	<input type="checkbox"/> Warm	<input type="checkbox"/> Warm	<input checked="" type="checkbox"/> Warm	<input checked="" type="checkbox"/> Warm	<input type="checkbox"/> Heavy -	<input type="checkbox"/> Heavy -	<input type="checkbox"/> Heavy -	<input checked="" type="checkbox"/> Heavy -	<input type="checkbox"/> Heavy -	<input type="checkbox"/> ++	<input type="checkbox"/> ++	<input type="checkbox"/> ++	<input checked="" type="checkbox"/> ++	<input type="checkbox"/> ++
<input type="checkbox"/> Colors	<input type="checkbox"/> Colors	<input type="checkbox"/> Colors	<input type="checkbox"/> Colors	<input checked="" type="checkbox"/> Colors	<input checked="" type="checkbox"/> Colors	<input type="checkbox"/> Colors	<input type="checkbox"/> Normal	<input type="checkbox"/> Normal	<input checked="" type="checkbox"/> Normal	<input type="checkbox"/> Normal	<input type="checkbox"/> Normal	<input type="checkbox"/> +	<input type="checkbox"/> +	<input checked="" type="checkbox"/> +	<input type="checkbox"/> +	<input type="checkbox"/> +
<input type="checkbox"/> Cool	<input type="checkbox"/> Cool	<input checked="" type="checkbox"/> Cool	<input type="checkbox"/> Cool	<input type="checkbox"/> Cool	<input type="checkbox"/> Cool	<input type="checkbox"/> Cool	<input type="checkbox"/> Light +	<input checked="" type="checkbox"/> Light +	<input type="checkbox"/> Light +	<input type="checkbox"/> Light +	<input type="checkbox"/> Light +	<input type="checkbox"/> Normal	<input checked="" type="checkbox"/> Normal	<input type="checkbox"/> Normal	<input type="checkbox"/> Normal	<input type="checkbox"/> Normal
<input type="checkbox"/> Cold	<input checked="" type="checkbox"/> Cold	<input type="checkbox"/> Cold	<input type="checkbox"/> Cold	<input type="checkbox"/> Cold	<input type="checkbox"/> Cold	<input type="checkbox"/> Cold	<input type="checkbox"/> Light	<input checked="" type="checkbox"/> Light	<input type="checkbox"/> Light	<input type="checkbox"/> Light	<input type="checkbox"/> Light	<input type="checkbox"/> Off	<input checked="" type="checkbox"/> Off	<input type="checkbox"/> Off	<input type="checkbox"/> Off	<input type="checkbox"/> Off
<input type="checkbox"/> Cold	<input checked="" type="checkbox"/> Tap Cold	<input type="checkbox"/> Tap Cold	<input type="checkbox"/> Tap Cold	<input type="checkbox"/> Tap Cold	<input type="checkbox"/> Tap Cold	<input type="checkbox"/> Tap Cold	<input type="checkbox"/> Light	<input checked="" type="checkbox"/> Light	<input type="checkbox"/> Light	<input type="checkbox"/> Light	<input type="checkbox"/> Light	<input type="checkbox"/> Off	<input checked="" type="checkbox"/> Off	<input type="checkbox"/> Off	<input type="checkbox"/> Off	<input type="checkbox"/> Off

Puesta en Marcha

F Opciones de ciclo

Deep Fill (Relleno profunda)

Seleccione la función de **Deep Fill** (Llenado Intense) para las cargas donde se desea más agua. La función de relleno intenso se recomienda para cargas especiales, no para uso típico.

Presione y libere el botón **Deep Fill** (Llenado Profundo) una vez antes de comenzar el ciclo, a fin de agregar 3 galones adicionales de agua a la carga de lavado. Mantener presionado el botón **Deep Fill** (Llenado Intenso) durante 3 segundos brindará el nivel más intenso de llenado posible; esto incrementará el tiempo del ciclo debido al tiempo adicional que lleva llenar la lavadora.

A fin de cancelar la opción, si así lo desea, presione el botón **Deep Fill** (Llenado Intenso) nuevamente.

NOTA: El botón **Deep Fill** (Llenado Intenso) también puede ser presionado una vez que la lavadora haya completado el llenado y se encuentre en la fase de lavado, si se desea agregar más agua. Para detener el llenado adicional, presione el botón **Deep Fill** (Llenado Intenso) nuevamente y el agua se detendrá.

Power Pre-wash (Hidrolavado Previo) (en algunos modelos)

Esta opción comienza con un breve lavado, un remojo de 5 minutos, y luego un desagüe antes de iniciar el ciclo seleccionado.

Tangle Control™ (Control de Enredo) (en algunos modelos)

La configuración de esta opción ajustará su ciclo de lavado para ayudar a evitar enredos. El tiempo del ciclo se podrá incrementar cuando se seleccione esta opción. **NOTA:** Esta opción no está permitida en algunos ciclos.

Auto Soak (Auto remojo)

Esta opción comienza con una breve agitación, realiza el remojo durante un período de tiempo específico, y luego realiza el resto del ciclo de forma automática. Presionar de forma repetida el botón **Soak** (Remojo) hará que se pase a través de las selecciones de 15 minutos, 30 minutos, 1 hora y 2 horas y luego regresará a 0 minutos de remojo.

Deep Rinse (Enjuague Profundo)

Configure esta opción para brindar un enjuague profundo o cuando use un suavizante para telas. Esto podrá modificar otras configuraciones (es decir: **Spin** (Girar) se podrá activar en una configuración más alta) a fin de maximizar el rendimiento. Opción disponible en todos los ciclos de lavado.

Delay Wash (Lavado Retrasado)

Al presionar de forma repetida el botón **Delay Wash** (Lavado Retrasado), el tiempo de retraso se configura de 1 (01H) a 9 (09H) horas, y vuelve a cero (00H). Si se mantiene presionado el botón **Delay Wash** (Lavado Retrasado) durante 3 segundos, se reiniciará de inmediato.

Extra Rinse (Enjuague Adicional)

Al usar detergente o blanqueador adicional para limpiar ropa muy sucia, use la opción **Extra Rinse** (Enjuague Adicional) para eliminar mejor los residuos adicionales. **NOTA:** Esta opción no está permitida en algunos ciclos.

Smart Wash (Lavado Inteligente) (en algunos modelos)

Cuando se encuentre activada, la opción **Smart Wash** (Lavado Inteligente) detectará el nivel de suciedad de la carga y ajustará el ciclo de lavado de manera correspondiente (agregando o eliminando nivel de agitación y tiempos de remojo), a fin de lograr un rendimiento excelente del lavado mientras se minimiza el desgaste.

Smart Rinse (Enjuague Inteligente) (en algunos modelos)

La función **Smart Rinse** (Enjuague Inteligente) detecta la cantidad de suciedad y de detergente en el ciclo de lavado actual y determina si es necesaria una cantidad de agua adicional, a fin de asegurar un enjuague a fondo para mantener las telas como nuevas durante más tiempo.

My Cycle Settings (Mis Configuraciones de Ciclos) (en algunos modelos)

A medida que la perilla del selector de ciclo es girada, las configuraciones de **Temp** (Temperatura), **Soil** (Suciedad) y **Spin** (Giro) cambian a configuraciones automáticas preconfiguradas por omisión para cada ciclo. Si desea diferentes configuraciones por omisión, seleccione las opciones o cambios deseados en las configuraciones del ciclo, y luego mantenga presionado el botón **My Cycle** (Mi Ciclo) durante 3 segundos para guardar las mismas. El botón **My Cycle** (Mi Ciclo) se iluminará cuando esté activo. En el futuro, al girar la perilla del selector a ese ciclo, sus configuraciones serán reactivadas de forma automática. Para restaurar las configuraciones de fábrica de forma temporaria (es decir: para esta carga), presione el botón **My Cycle** (Mi Ciclo) durante 1/2 segundo. La luz de **My Cycle** (Mi Ciclo) se apagará y las configuraciones de fábrica se cargarán. Sin embargo, la próxima vez que seleccione este ciclo, sus configuraciones de **My Cycle** (Mi Ciclo) se cargarán. Si desea restaurar de forma permanente las configuraciones de fábrica por omisión para el ciclo, cuando **My Cycle** (Mi Ciclo) esté activo (botón encendido), mantenga presionado este botón durante 3 segundos. Las configuraciones de fábrica por omisión se cargarán para el ciclo seleccionado y la luz de **My Cycle** (Mi Ciclo) se apagará. Las configuraciones por omisión se cargarán cuando este ciclo sea seleccionado en el futuro y la luz de **My Cycle** (Mi Ciclo) permanecerá apagada. **NOTA:** **My Cycle** (Mi Ciclo) guarda las siguientes opciones: **Temp** (Temperatura), **Soil**, **Spin**, **Extra Rinse**, **Deep Fill**, **Auto Soak**, **Deep Rinse**, **Tangle Control**, **Auto**, **Power Clean** y **Gentle Care**.

Sound (sonido) (en algunos modelos)

Use el botón **Volume** (Volumen) para cambiar el volumen de la señal del fin del ciclo y otros tonos del sistema. Presione la tecla hasta que alcance el volumen (alta, media, baja) deseado o se apague. En algunos modelos, esta función sólo podrá estar disponible a través de la aplicación SmarthQ de GE Appliances.

Control Lock (Control de Bloquear)

Use el bloqueo del control antes o durante un ciclo, a fin de evitar que cualquier selección sea realizada.

Para bloquear/desbloquear los controles de la lavadora, mantenga presionados los botones **Rinse** (Enjuague) y **Spin** (Giro) durante 3 segundos. El icono de bloqueo de los controles que aparece en la pantalla se encenderá cuando esté activado.

NOTA: El botón de **Power** (Encendido) puede seguir utilizándose cuando la lavadora está bloqueada.

Puesta en Marcha

G Limpieza Intensa y Cuidado Suave (en algunos modelos)

La configuración de **Auto** (Automático) balancea el rendimiento del lavado, el cuidado de las telas, y el tiempo de los ciclos en cargas con niveles de suciedad normal o leves.

Gentle Care (Cuidado Suave) reduce el tiempo de agitación y agrega una serie de remojos a fin de reducir el desgaste/desteñido de las telas, mientras se continúa brindando un gran rendimiento del lavado de prendas que necesitan un cuidado especial.

Use **Power Clean** (Limpieza Intensa) para agregar mucha agitación y remojos que incrementen el rendimiento del lavado en cargas que necesiten un lavado profundo.

H Asistente por Voz Alexa (Modelos PTW905 y PTW900 solamente)

Su lavadora cuenta con la asistente por voz Alexa. Cuando se encuentre conectado a la aplicación SmartHQ, usted podrá usar su voz de forma automática para configurar su lavadora y poder manejar manchas difíciles o configurar el ciclo apropiado para el lavado de telas específicas. Cuando se empareje con una secadora compatible, usted también podrá configurar su secadora para manejar de forma óptima una tela específica. Consulte la etiqueta dentro de la tapa de su lavadora para utilizar su asistente por voz de lavandería. Descargue la aplicación SmartHQ y conecte su lavadora para configurar la función incorporada Alexa.

Alexa y todas las marcas relacionadas son marcas registradas de Amazon.com, Inc. o de sus afiliados.

Indicadores de Estado de Voz

Amarillo: Comunicaciones

Rojo: Silenciar

Morado: No Molestar

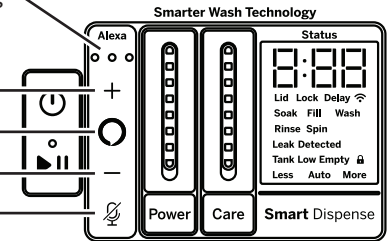
Subir volumen

Presione para hablar

Bajar volumen

Micrófono

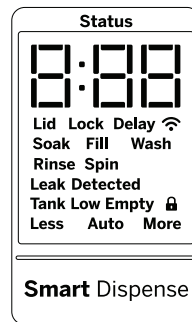
Silenciar/No silenciar



I Dispensador Inteligente™ (Modelos PTW905, PTW900, PTW805 y PTW800 solamente)

Cuando sea seleccionada, de forma automática esta función agregará detergente al lavado, eliminando la necesidad de agregar detergente a cada carga.

La selección de la cantidad de detergente en el panel de control estará en AUTO por omisión cuando se encienda la lavadora por primera vez. Cuando se seleccione AUTO, la cantidad de detergente necesario para cada carga de lavado será determinada de forma automática en base al tamaño de la carga que la máquina determine.



Si se desea seleccionar manualmente la cantidad de detergente para una carga dada, esto puede ser realizado presionando el botón **Select** (Seleccionar) en el panel de control de **Smart Dispense** (Dispensado Inteligente), para elegir entre **Less** (Menos) o **More** (Más) detergente. **Less** (Menos) brindará menos detergente que con la selección **Auto** (Automático), y **More** (Más) brindará más detergente que la selección **Auto** (Automático).

La función de dispensado inteligente podrá ser deshabilitada presionando el botón **Select** (Seleccionar) en el panel de control de **Smart Dispense** (Dispensado Inteligente), hasta que la función **Off** (Apagado) sea seleccionada.

NOTA: No todos los ciclos permitirán el uso de la función SmartDispense (Dispensador Inteligente). Si la luz LED **Off** (Apagado) aparece iluminada y presionar el botón **Select** (Seleccionar) produce un pitido, entonces no es posible usar Smart Dispense (Dispensado Inteligente) en el ciclo que fue seleccionado. El detergente deberá ser agregado directamente a la canasta de lavado para estos ciclos.

Agregue Detergente al Dispensador Inteligente™ (Modelos PTW905, PTW900, PTW805 y PTW800 solamente)

Esta máquina está equipada con una reserva de detergente en grandes cantidades que puede retener aproximadamente 75 onzas de detergente líquido para su conveniencia. Esto es detergente suficiente para aproximadamente 50 cargas de lavado normales, dependiendo de qué cantidad a dispensar se seleccione.



Cuando la luz LED **Tank Low** (Tanque Bajo) o **Tank Empty** (Tanque Vacío) estén iluminadas, se deberá agregar más detergente a la reserva, a fin de asegurar que haya detergente disponible para el siguiente ciclo.

El puerto de llenado de la reserva de detergente está ubicado en la parte **frontal izquierda** de la lavadora. Para llenar la reserva con detergente líquido, primero abra la tapa del tanque girando la tapa pequeña en dirección de las agujas del reloj. Luego vierta el detergente **LIQUID** (LÍQUIDO) en la abertura hasta que el nivel llegue al indicador **MAX**, ubicado dentro del puerto de llenado, también indicado con la línea horizontal próxima a la indicación escrita **MAX MAX**. Realizar el llenado hasta este nivel **MAX** brindará detergente para aproximadamente 50 cargas de lavado normales.

NOTA: Si se desea cambiar el tipo de detergente en el tanque de detergente, no se requiere dejar correr el sistema del dispensador inteligente. El nuevo tipo de detergente puede ser agregado a un tanque parcialmente lleno; sin embargo, no será dispensado de inmediato hasta que el detergente original sea completamente dispensado del sistema.

NOTA: En caso de que una cantidad excesiva de blanqueador de cloro sea derramada accidentalmente o que de otra forma ingrese al tanque de detergente, siga las instrucciones de **Tanque de Detergente** en la sección de **Cuidado y Limpieza**, a fin de minimizar la posibilidad de daños sobre la ropa. Si sólo unas pocas gotas de blanqueador son derramadas en el tanque de detergente, no hay necesidad de dejar correr el tanque.

Puesta en Marcha

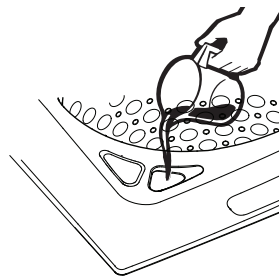
Dispensador de Blanqueador Líquido (Modelos PTW905, PTW900, PTW805 y PTW800 solamente)

Use una taza con medidas para verter el blanqueador en el dispensador de blanqueador. Mida el blanqueador líquido cuidadosamente y NO vierta el mismo directamente desde la botella de blanqueador al dispensador de blanqueador.

NOTA: El dispensador de blanqueador es un dispensador de uso individual y NO es un sistema para dispensar en grandes cantidades. La cantidad máxima de blanqueador que deberá ser vertida en el dispensador en cualquier carga nunca deberá superar 1 taza.

NOTA: En caso de que una cantidad excesiva de blanqueador de cloro sea derramada accidentalmente o que de otra forma ingrese al tanque de detergente, siga las instrucciones de **Tanque de Detergente** en la sección de **Cuidado y Limpieza**, a fin de minimizar la posibilidad de daños sobre la ropa. Si sólo unas pocas gotas de blanqueador son derramadas en el tanque de detergente, no hay necesidad de hacer la descarga del tanque.

NOTA: En caso de que accidentalmente se derrame detergente o que de cualquier otra forma entre en la abertura del blanqueador, el detergente simplemente será usado en el siguiente ciclo de lavado. En este caso, no hay necesidad de realizar ninguna rutina de descarga.



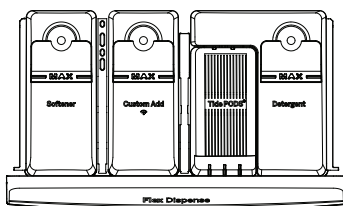
Flex Dispense Drawer

Use el Cajón de Dispensado Flexible para suavizantes/ acondicionadores, detergente de prelavado, paquetes de detergente (paquetes de lavandería) y el detergente principal.

El suavizante/ acondicionador de telas líquido se deberá agregar en el compartimiento del cajón ubicado en el extremo izquierdo de la lavadora.

Siga las recomendaciones del fabricante de suavizante/ acondicionador de telas líquido, a fin de utilizar la cantidad correcta de suavizante/ acondicionador en base al tamaño de la carga. No sobrecargue ni diluya el suavizante/ acondicionador, ya que esto podrá hacer que se dispense aditivo de forma prematura en el ciclo de lavado. Sus selecciones de opciones determinarán cuándo el suavizante/ acondicionador de telas líquido será dispensado de forma automática en su tiempo óptimo en el ciclo de enjuague.

NOTA: NO se deberán agregar cristales de suavizantes de telas en el cajón del dispensador, ya que no dispensarán de forma correcta.



El detergente de prelavado se deberá agregar en el compartimiento Custom Add (Agregado a Medida) intermedio izquierdo (el segundo de la izquierda). Usar con la Aplicación SmartHQ. Realice el llenado de cargas con mucha suciedad para que la suciedad intensa se afloje y elimine antes e iniciar el ciclo principal seleccionado. Consulte sobre la capacidades de Flex Dispense (Dispensado Flexible) en la Aplicación SmartHQ.

Los paquetes de detergente (Paquetes de Lavandería) se deberán agregar en el compartimiento central derecho (el tercero desde la izquierda). Para un mejor rendimiento, las cápsulas deben colocarse en el centro (de izquierda a derecha) del compartimiento y hacia la parte delantera del compartimiento. Evite empujar la cápsula hacia la parte trasera del compartimiento a menos que utilice dos o más cápsulas. No apoye las cápsulas contra las paredes laterales del compartimiento de las cápsulas. Siga las recomendaciones del fabricante de detergente para colocar el número correcto de paquetes de detergente para su carga de lavado. No agregue más paquetes de detergente que los recomendados, ya que esto podrá producir restos de detergente residual al final del ciclo. Sus selecciones de opciones determinarán cuándo el detergente será dispensado de forma automática en el tiempo óptimo en el ciclo de lavado.

NOTA: Recomendamos el uso de paquetes de lavandería de Alta Eficacia tales como Tide PODS™ o Gain Flings™. Es posible que algunos paquetes de detergente no dispensen completamente en temperaturas muy frías o en el ciclo de prendas delicadas. En estos casos, usted podrá usar una configuración de temperatura más caliente para un dispensado más intenso, a fin de disolver los paquetes de detergente.

El detergente HE se deberá agregar en el compartimiento ubicado en el extremo derecho.

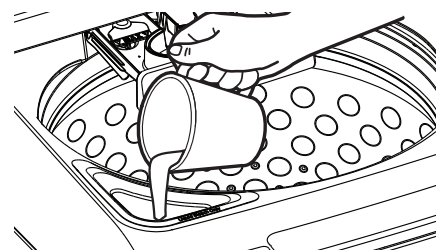
Siga las recomendaciones del fabricante de detergente para colocar la cantidad correcta en base al tamaño, teniendo el cuidado de agregar detergente en el compartimiento del derecho. No sobrecargue ni diluya el detergente, ya que esto podrá hacer que se dispense aditivo de forma prematura en el ciclo de lavado. Sus selecciones de opciones determinarán cuándo el detergente será dispensado de forma automática en el tiempo óptimo en el ciclo de lavado. Para un rendimiento óptimo, especialmente al seleccionar una temperatura más fría y en climas fríos, coloque detergente HE en polvo directamente encima de la carga.

NOTA: Los paquetes de lavandería de una sola dosis no se deberán agregar al dispensador de detergente, ya que estos no dispensarán de forma correcta. Coloque los paquetes en la Taza del Dispensador de Paquetes de Lavandería.

Dispensador de Blanqueador Líquido (Modelos PTW705, PTW700, PTW605 y PTW600 solamente)

El blanqueador líquido de cloro debe ser agregado a través del dispensador del blanqueador en la **esquina frontal izquierda**. Siga las recomendaciones del fabricante del blanqueador para utilizar la cantidad correcta de blanqueador líquido de cloro en base al tamaño de la carga, evitando aplicar o salpicar el mismo directamente sobre la ropa.

NOTA: No use blanqueador líquido de cloro ni pretratamientos de lavado tales como el producto Oxi en la misma carga a lavar.



Carga

Siempre siga las instrucciones del fabricante de la ropa cuando lave.

Sensor de Carga Automático

Esto determina la cantidad apropiada de agua adecuada al tamaño y tipo de carga colocado en la lavadora. La lavadora no iniciará el ciclo de lavado ni se llenará de agua si la tapa se encuentra abierta. Cuando se cierra la tapa la máquina puede comenzar a llenarse de agua para poder detectar el tamaño de la carga.

NOTA: La función **Automatic Load Sensing** (Sensor de Carga Automática) inicia un giro al comenzar el ciclo; éste es el funcionamiento normal.

NOTA: Esta es una lavadora de alta eficiencia. Este sistema requiere menos agua al tiempo que brinda una acción de limpieza excepcional. Usted puede notar que el nivel de agua es menor que el de su lavadora anterior. Esto es normal para una lavadora de alta eficiencia.

Pretratamiento

Coloque los pretratamientos de lavado, tales como el producto Oxi, directamente encima de la carga de ropa.

NOTA: No use blanqueador líquido de cloro ni pretratamientos de lavado tales como el producto Oxi en la misma carga a lavar.

Uso correcto del detergente

El uso de demasiado poco o cantidades excesivas de detergente es causa común de problemas con la colada.

Use menos detergente si tiene agua blanda, una carga más liviana o ropa poco sucia.

Para tratar manchas, aplique pretratamiento a las prendas según se recomienda en la etiqueta del producto. La aplicación debe realizarse en el tambor para evitar una pulverización excesiva que podría provocar que los colores de la tapa o de los gráficos pierdan su intensidad.

Coloque los paquetes de detergente en el Dispensador del Paquete de Lavandería (en algunos modelos) o al final de la canasta de lavado antes de agregar ropa.

GE Appliances recomienda el uso de detergentes de Alta Eficiencia tales como Tide PODS™ y detergentes líquidos en su lavadora con eficiencia energética. Los detergentes HE están formulados para funcionar en sistemas de lavado y enjuague con poca agua. Los detergentes HE reducen los problemas de espuma excesiva comúnmente asociados con los detergentes comunes.

Cuando utilice detergentes de alta eficiencia o concentrados, consulte la etiqueta del producto para determinar la cantidad requerida para un desempeño óptimo. Una cantidad excesiva de detergente puede tener un impacto negativo en el desempeño de lavado.

Separación de cargas

Separe por color (blancos, claros, colores), nivel de suciedad, tipo de tela (algodones rústicos, limpieza fácil, delicados) y si la tela produce pelusa (tela de toalla, felpilla) o junta pelusa (terciopelo, pana). Lave los productores de pelusas tales como toallas de algodón y medias aparte de los recolectores de pelusas, incluyendo prendas sintéticas y pantalones de vestir.

⚠ ADVERTENCIA - Riesgo de incendio

NO lave tejidos sucios con líquidos inflamables o disolventes de limpieza.

Ninguna lavadora puede eliminar el aceite por completo.

NO seque artículos que se hayan mojado o manchado con algún tipo de aceite.

NO toque el interior de la lavadora antes de que todas las partes en movimiento se hayan detenido.

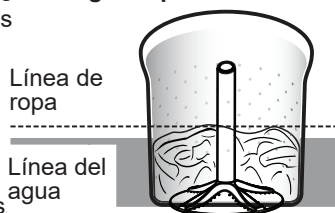
Si lo hace, eso puede ocasionar la muerte, explosión, incendio o amputación.

Carga de la lavadora

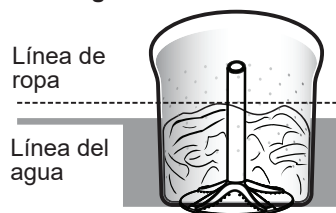
Agregue las prendas secas sin apretar en el tambor de la lavadora. Para mejores resultados, cargue las prendas en forma uniforme y sin apretarlas alrededor de la parte exterior del tambor, llenando hacia la parte del centro en cargas grandes. Para agregar prendas una vez que se inició un ciclo en la lavadora, presione **Start/Pause** (Iniciar/pausa) si la tapa está bloqueada; espere hasta que el indicador de **Lid Locked** (Bloqueo de la Tapa) que aparece en la pantalla ya no esté iluminado, antes de intentar abrir la tapa. Levante la tapa y sumerja prendas adicionales alrededor de la parte externa de la canasta. Cierre la tapa y presione **Start** (Iniciar) para reanudar el lavado. Ajuste la selección del tamaño de la carga y/o use la opción **Deep Fill** (Llenado Intenso), si es necesario. **NOTA:** Algunos ciclos usan un llenado para el lavado en dos etapas. La primera etapa contará con un nivel de agua inferior que la segunda etapa; esto está dentro del funcionamiento normal.

- No coloque prendas grandes tales como sábanas, colchas y toallas sobre el Infusor. Cárguelas alrededor de la parte exterior del tambor.
- No coloque almohadones de jardín o sofá en la lavadora, ya que son demasiado grandes para poder moverlos. Retire las tapas externas y SÓLO lave las mismas.

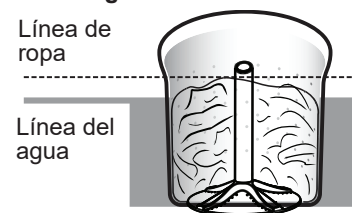
Carga Pequeña Promedio



Carga Mediana Promedio



Carga Grande Promedio



Comunicación del Electrodoméstico

WiFi Connect (Conexión WiFi) (Sólo para clientes en los Estados Unidos - en algunos modelos)

Su lavadora está habilitada para **GE Appliances WiFi Connect**.

Visite www.GEAppliances.com/connect e ingrese su número de modelo para mostrarle los pasos apropiados para conectar su aparato. **Conectividad WiFi:** Para recibir asistencia en relación al electrodoméstico o la conectividad de red de **U+ Connect**, comuníquese GE Appliances Soporte de Hogar Conectado al **800.220.6899**.

Visite www.GEAppliances.com/connect para aprender más sobre las funciones del electrodoméstico conectado, para saber qué aplicaciones del electrodoméstico conectado funcionarán con su teléfono inteligente.

Número de Pieza

PBX23W00Y0

Accesorio

WiFi U+ Connect módulo

Cuidado y limpieza

⚠ ADVERTENCIA - Riesgo de Descarga Eléctrica

Ciertas piezas internas no tienen conexión a tierra en forma intencional y pueden presentar un riesgo de descarga eléctrica sólo durante la reparación.

Personal de reparación – NO toque las siguientes piezas cuando el aparato esté recibiendo energía: Motor de mando, bloqueo de la tapa, válvulas de agua, bomba de drenaje y bomba de recirculación.

La parte exterior de la lavadora

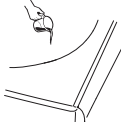
Limpie inmediatamente cualquier clase de derrame con un paño húmedo.

La parte interior de la lavadora

Para limpiar la parte interna de la lavadora, seleccione la característica **Bulky** (Prendas Gruesas) del panel de control. Este ciclo **Bulky** (Prendas Gruesas) debería ser activado, como mínimo, una vez por mes. Este ciclo usará más agua, además de blanqueador, para controle el nivel en el cual las suciedades y detergentes se podrá acumular en la lavadora.

NOTA: Lea las instrucciones por completo antes de comenzar el ciclo **Bulky** (Prendas Gruesas).

1. Quite las prendas u objetos de la lavadora y verifique que el tambor de la lavadora se encuentre vacío.
2. Abra la tapa de la lavadora y vierta en la canasta una taza o 250 ml de líquido blanqueador u otro limpiador para lavadoras.



3. Cierre la tapa por completo y vuelva a iniciar el ciclo **Bulky** (Prendas Gruesas). Presione el botón **Start** (inicio).
4. Cuando el ciclo **Bulky** (Prendas Gruesas) esté funcionando, la pantalla mostrará el tiempo restante estimado del ciclo. No interrumpa el ciclo.

IMPORTANTE:

- Haga funcionar el ciclo **Bulky** (Prendas Gruesas) con 1 taza (250 ml) de lejía una vez por mes.
- Después de finalizar un ciclo **Bulky** (Prendas Gruesas), la parte interior de su lavadora puede tener olor a lejía.

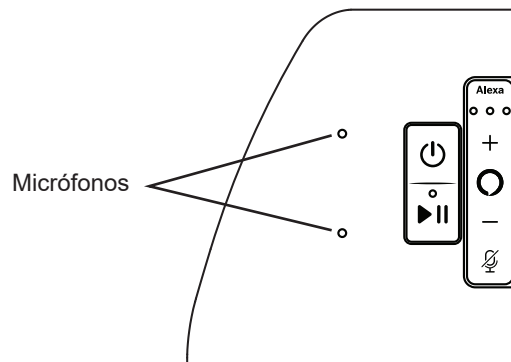
Para la opción de limpieza de la canasta, descargue y consulte la Aplicación SmartHQ.

Micrófonos de Control por Voz

(Modelos PTW905 y PTW900 solamente)

NOTA: El panel de control de la lavadora cuenta con 2 micrófonos sensibles. Si los micrófonos son expuestos a líquidos contaminantes o si los puertos de audio quedan atascados, el rendimiento de su función se podrá degradar.

Para limpiar los puertos/ micrófonos de audio, de forma inmediata limpie cualquier derrame sobre o cerca de los puertos de audio de los micrófonos. Luego, moje suavemente con agua un hisopo de algodón pequeño. Asegúrese de escurrir el exceso de agua del hisopo, de modo que sólo quede húmedo. De forma suave, inserte el hisopo de algodón húmedo en los agujeros de los puertos de audio y limpie con un movimiento de giro suave. Repita este proceso hasta haber eliminado todos los contaminantes. Espere hasta que la unidad se seque. Los tiempos de secado podrán variar, superando las 24 horas en algunos casos.



Tanque de Detergente

(Modelos PTW905, PTW900, PTW805 y PTW800 solamente)

NOTA: Toda la ropa deberá ser retirada de la lavadora antes de limpiar el tanque de detergente.

Para vaciar el tanque y eliminar cualquier resto de detergente de la reserva:

1. Mantenga presionados los botones **Smart Dispense** y **Smart Wash** durante tres segundos.
2. La rutina de vaciado comenzará con los contenidos del tanque, mezclados con el tanque, y siendo dispensados a la canasta y finalmente drenados desde la máquina al mismo tiempo.

3. La rutina de vaciado continuará durante aproximadamente 15 minutos, a menos que sea pausada presionando el botón **Start** (Iniciar). Si el tanque inicialmente está lleno, es posible que la rutina deba ser realizada una segunda vez, a fin de vaciar el tanque de detergente.

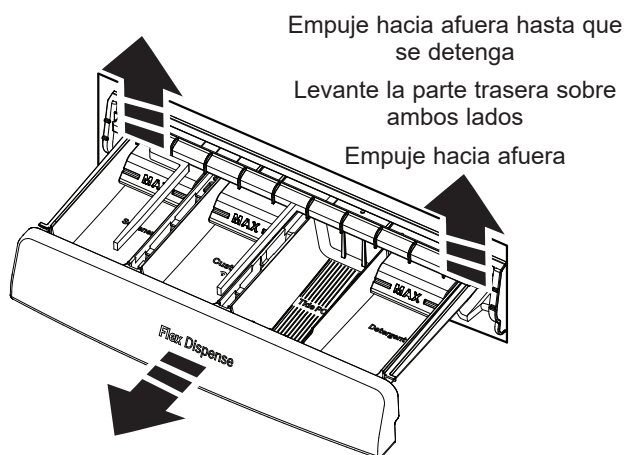
NOTA: De forma opcional, se podrá agregar agua caliente al tanque para ayudar a descargar del sistema cualquier detergente residual, antes de comenzar o durante la rutina de vaciado.

Cuidado y limpieza

Flex Dispense Drawer

Luego de cierto período de uso, una pequeña cantidad de detergente o un residuo de suavizante puede estar presente en el cajón dispensador. El cajón puede ser retirado fácilmente para su limpieza. Para retirar el cajón, empuje hacia afuera hasta que el cajón se detenga, levante la parte trasera del cajón a ambos lados y empuje hacia afuera. El cajón puede ser entonces retirado de la caja dispensadora. Lave el cajón con agua tibia y jabón, usando un detergente suave. Enjuague el cajón con agua tibia. Si las tapas de sifoneo son retiradas para su limpieza, asegúrese de empujar las mismas completamente hacia atrás hasta su posición luego de la limpieza.

El cajón dispensador y las tapas de sifoneo no son de uso seguro en el lavavajillas. La caja del dispensador no es extraíble, pero puede ser limpiada usando una tela húmeda, si es necesario. No intente retirar la caja dispensadora para su limpieza.



Mangueras de suministro de aguas

De forma periódica, inspeccione que no haya pérdidas de agua, desgastes, cortes, corrosión ni bultos en todas las mangueras de entrada de agua. En caso que aparezcan signos de cualquiera de estas fallas, reemplace todas las mangueras de inmediato. Todas las mangueras se deberán reemplazar cada 5 años de uso, a fin de reducir riesgos de fallas por parte de las mangueras y posibles daños ocasionados por el agua. Al reemplazar las mangueras, consulte las Instrucciones de Instalación a fin de realizar una instalación correcta. NO ajuste en exceso ni desgaste las roscas de los accesorios. NO permita que la manguera roce contra objetos filosos, que se retuerza, o se extienda de forma excesiva. Siempre asegúrese de que las juntas de goma de la manguera estén instaladas y libres de goteos al recibir presión.

Vacaciones prolongadas

Asegúrese de que el suministro de agua esté cortado desde todos los grifos. Drene toda el agua de las mangueras y el área de la bomba de filtro de agua si la temperatura puede llegar a bajo cero.

Desplazamiento y almacenamiento

Solicite al técnico que elimine toda el agua de la bomba de drenaje y de las mangueras. No almacene la lavadora donde se vea expuesta a las inclemencias del tiempo.

Modelos PTW905, PTW900, PTW805 y PTW800 solamente: No mueva la lavadora con el tanque lleno de detergente. Si se moverá la lavadora con el tanque de detergente parcialmente lleno, no incline la misma hacia adelante, ya que se podrá derramar detergente del tanque. Si mover la lavadora hará que se incline hacia adelante de cualquier manera, es mejor descargar el tanque de detergente. Consulte sobre la **Tanque de Detergente** en esta sección de **Cuidado y Limpieza**.

Instrucciones de instalación

Lavadora



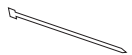

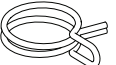
Si tiene alguna pregunta, llame GE Appliances a 800.GE.CARES (800.432.2737) o visite nuestro sitio Web en: GEAppliances.com

ANTES DE COMENZAR

Lea detenidamente todas las instrucciones.

- **IMPORTANTE** — Guarde estas instrucciones para uso del inspector local.
- **IMPORTANTE** — Cumpla todos los códigos y ordenanzas regulatorias.
- **Nota al instalador** — Asegúrese de dejar estas instrucciones al usuario.
- **Nota al usuario** — guarde estas instrucciones para consultas futuras.
- **Nivel de habilidad** — la instalación de este electrodoméstico requiere habilidades mecánicas y eléctricas básicas.
- **Duración** — de 1 a 3 horas
- La instalación adecuada es responsabilidad del instalador.
- La garantía no cubre fallas producidas por la instalación inadecuada del producto.

PIEZAS INCLUIDAS

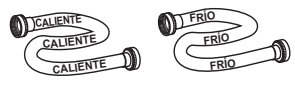

- Manguera de Desagüe 
- Guía de referencia propietario 
- Abrazadera de cable 
- Sujetador de la Manguera de Desagüe 
- Abrazadera 

HERRAMIENTAS NECESARIAS PARA LA INSTALACIÓN DE LA LAVADORA

- Pinza 

- Nivel 

PIEZAS NECESARIAS (Se adquiere por separado)

- Suministro de agua (2) 
- Arandelas de Caucho (2) y Pantallas de Filtro (2) 
- Extensión de la Manguera de Desagüe (Para alturas de descarga de entre 60" y 96")

GE Appliances Piezas y accesorios

Solicítelos on-line hoy mismo a GEApplianceparts.com, las 24 horas del día o por teléfono al 800.626.2002 en horario normal de trabajo.

Número de Pieza Accesorio

- | | |
|------------|---|
| PM14X10002 | Mangueras de goma de suministro de agua de 4 pies |
| PM14X10005 | Mangueras trenzada de suministro de agua de 4 pies |
| WH1X2267 | Arandelas de Caucho y Pantallas |
| WH49X301 | Extensión de la Manguera de Desagüe (Para alturas de descarga de entre 60" y 96") |

NOTA: Se recomienda enfáticamente el uso de mangueras nuevas de suministro de agua. Las mangueras se desgastan con el tiempo y deben reemplazarse cada 5 años para reducir el riesgo de fallas en las mangueras y daños provocados por el agua.

Instrucciones de instalación

UBICACIÓN DE LA LAVADORA

NO instale la lavadora:

1. En un área expuesta a goteras o a las condiciones del exterior. La temperatura ambiente no debe ser nunca congelarse o casi congelarse para que la lavadora funcione correctamente.
2. En una zona en la que pueda entrar en contacto con cortinas u otras telas.
3. Sobre una alfombra. El suelo **DEBE** ser una superficie dura con una inclinación máxima de 1/2" por pie (1,27 cm por cada 30 cm). Para asegurarse de que la lavadora no vibre ni se mueva, es posible que tenga que reforzar el suelo.

NOTA: Si el suelo se encuentra en mal estado, utilice una plancha con 3/4" de contrachapado bien fija al revestimiento existente en el suelo.

IMPORTANTE: Distancias mínimas de separación para la instalación - Nicho o Armario

- Si la lavadora ha sido aprobada para ser instalada en un nicho o armario, debe haber una etiqueta en la parte posterior de la máquina que describa los requisitos.
- Distancia mínima entre la lavadora y las paredes adyacentes o cualquier otra superficie: 0 cm (0 pulg.) a los lados, 5 cm (2 pulg.) al frente. Espacio vertical desde el piso a los estantes superiores, gabinetes, cielo rasos, etc. = 60".
- Las puertas del armario deben contar con rejillas u otro tipo de ventilación y tener por lo menos 60 pulgadas cuadradas (387 cm²) de espacio abierto. Si el armario incluye una lavadora y una secadora, las puertas deben contener un mínimo de 120 pulgadas cuadradas (774 cm²) de espacio abierto.

NOTA: Los espacios mencionados en las etiquetas son los mínimos. Se debe dar una gran importancia al suministro de un espacio adecuado para la instalación y el mantenimiento de los aparatos.

REQUISITOS DE SUMINISTRO DE AGUA

LÍNEAS DE SUMINISTRO DE AGUA - Purgar las líneas de suministro de agua caliente y fría durante 30 segundos antes de instalar las mangueras y la lavadora. Asegúrese de que las mallas de las mangueras de entrada también estén limpias y libres de residuos.

PRESIÓN DE AGUA - Debe ser de 1,4 kgf/cm² (20 psi) como mínimo y de 8,4 kgf/cm² (120 psi) como máximo.

NOTA: La presión mínima de 20 psi es la presión "dinámica", que es la presión real en la entrada de la válvula de agua mientras la lavadora está realizando el llenado de agua de forma activa.

TEMPERATURA DE AGUA - Se debe regular el calentador de agua de la vivienda para que proporcione agua a una temperatura de 50 °C a 65 °C (120 °F a 150 °F) A LA LAVADORA, al seleccionar el ciclo de lavado en caliente.

VÁLVULAS DE CIERRE - Se deben suministrar dos válvulas de cierre (llaves), una para el agua caliente y otra para la fría.

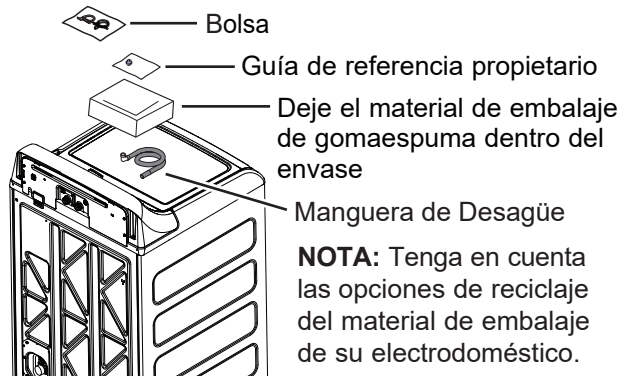
DRENAJE - Se puede drenar el agua hacia un tubo vertical. La altura de descarga **NO DEBE SER MENOR DE 76 cm** (30 pulg.), ni debe encontrarse a más de 2,4 m (8 pies) de la base de la lavadora. El diámetro interno del tubo vertical debe ser de 3,8 cm (1-1/2 pulg.) como mínimo y debe encontrarse abierto a la atmósfera.

1 DESEMBALAJE DE LA LAVADORA

Cuando la lavadora se encuentre en su hogar, deseche el material de empaque sobrante de la lavadora.

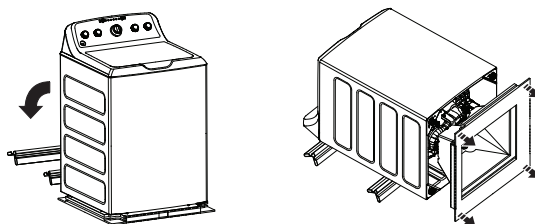
Retire la bolsa (con la abrazadera, el enlace para cable y el sujetador para la manguera de drenaje), la manguera de drenaje Manguera de drenaje y guía de referencia propietario del envase.

NOTA: Deje el material de embalaje de gomaespuma F dentro del envase para sostener el mismo en su lugar durante el resto de la instalación.



2 RETIRE LA BASE

Retire la base de la unidad colocando el pie al costado de la base e inclinando la unidad nuevamente hacia la posición del ángulo. empujando directamente hacia afuera. Vuelva a enderezar la lavadora.



⚠ ADVERTENCIA - Riesgo de Descarga Eléctrica

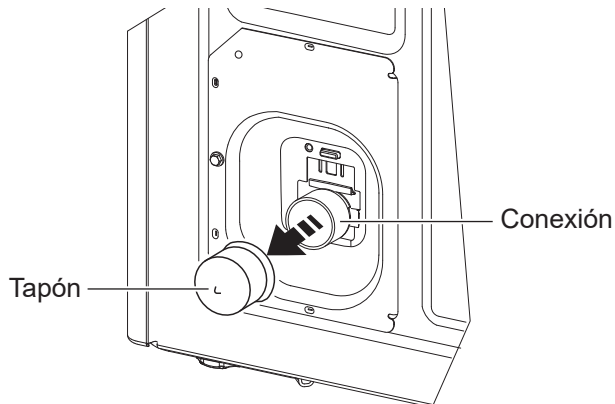
Ciertas piezas internas no tienen conexión a tierra en forma intencional y pueden presentar un riesgo de descarga eléctrica sólo durante la reparación.

Personal de reparación – NO toque las siguientes piezas cuando el aparato esté recibiendo energía: Motor de mando, bloqueo de la tapa, válvulas de agua, bomba de drenaje y bomba de recirculación.

Instrucciones de instalación

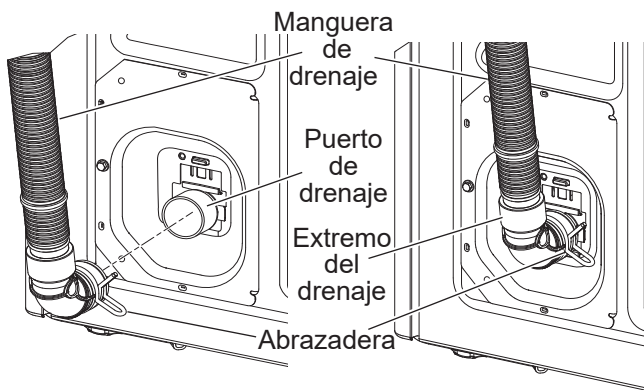
3 CONECTE LA MANGUERA DE DESAGÜE A LA LAVADORA

Retire el tapón de la conexión de drenaje, si está presente, antes de instalar la manguera de drenaje. Es normal que una pequeña cantidad de agua residual del proceso de verificación de calidad en la planta se drene de la entrada de la válvula al quitar la tapa.



Parte trasera de la lavadora

Conecte la manguera de desagüe al puerto de drenaje en la parte trasera de la lavadora. Abra la abrazadera con las pinzas y deslice las mismas sobre el extremo de la manguera. Manteniendo la abrazadera abierta, presione el extremo de la manguera sobre el puerto de drenaje hasta que quede completamente insertada. Libere la abrazadera entre los resortes de ubicación en el extremo de la manguera. La salida del extremo de la manguera debe estar orientada verticalmente

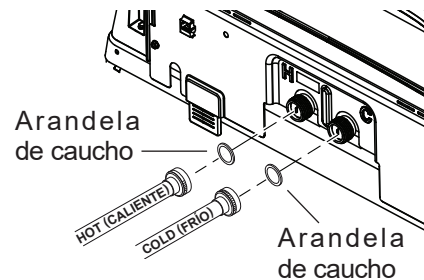


4 CONECTE LAS MANGUERAS DE AGUA A LA LAVADORA

Antes de instalar las mangueras de agua, saque el cordón eléctrico de su lugar de almacenamiento. Si no está presente, instale la arandela de caucho en un extremo de la manguera de agua caliente. Enrosque la manguera de agua caliente en la pieza para conexión con etiqueta **H** en la parte posterior superior de la lavadora. Apriétela con la mano y luego gírela un octavo de vuelta más con una pinza. Ajuste manualmente y use una pinza para ajustar las mangueras entre 1/8 y 1/4 de giro luego del ajuste manual.

Si no está presente, instale la arandela de caucho en un extremo de la manguera de agua fría (**C**). Enrosque la manguera de agua fría en la pieza para conexión con etiqueta **C** en la parte posterior superior de la lavadora. Ajuste manualmente y use una pinza para ajustar las mangueras entre 1/8 y 1/4 de giro luego del ajuste manual.

Coloque la lavadora lo más cerca posible a su lugar definitivo dejando espacio para que se pueda drenar el agua y se puedan efectuar las conexiones eléctricas.



5 CONECTE LAS MANGUERAS DE AGUA A LAS VÁLVULAS DE SALIDA

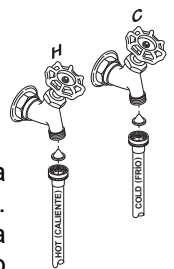
Averigüe cuál es la tubería de agua CALIENTE antes de conectar las mangueras de agua a las llaves. Generalmente, la llave de agua CALIENTE se encuentra a la izquierda.

(Si los filtros/arandelas de caucho no están presentes) Con la parte convexa del filtro hacia usted, coloque el filtro y la arandela de caucho en cada uno de los extremos libres de las mangueras de agua.

Conecte la manguera de agua caliente a una válvula de salida de agua caliente en su hogar. Ajuste manualmente y use una pinza para ajustar las mangueras entre 1/4 y 1/2 giro luego del ajuste manual. Abra la válvula de agua caliente.

Conecte la manguera de agua fría S a una válvula de salida de agua fría en su hogar. Ajuste manualmente y use una pinza para ajustar las mangueras entre 1/4 y 1/2 giro luego del ajuste manual. Abra la válvula de agua fría.

Controle la presencia de pérdidas y goteos en las uniones de las mangueras. Ajuste según sea necesario.



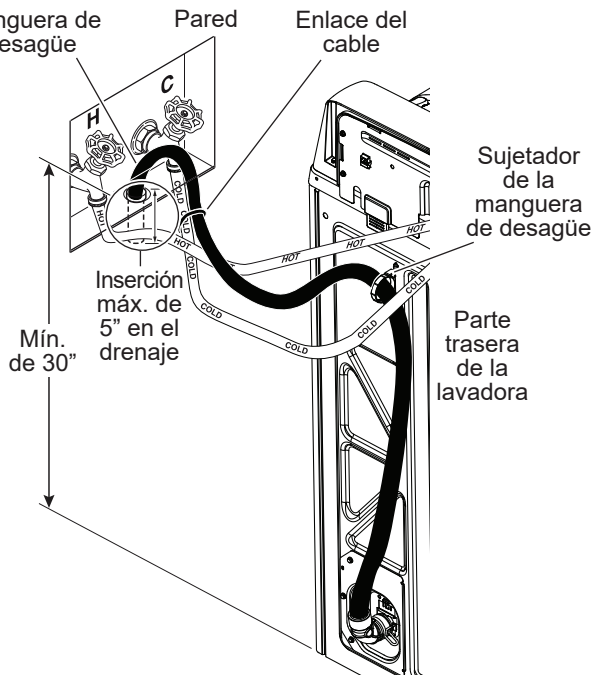
Instrucciones de instalación

6 CONECTE AL DRENAJE

Instale el sujetador de la manguera de drenaje en el panel trasero de la lavadora. Oriente la manguera de drenaje a través del sujetador e inserte el extremo libre en la abertura del drenaje de su hogar.

NOTA: Si se requiere una manguera de drenaje más larga, mande a pedir el equipo de extensión de la manguera de drenaje, número de pieza GE Appliances **WH49X301**. Conecte la manguera de drenaje adicional (incluida en el equipo de extensión) a la manguera original usando la abrazadera para la manguera (también incluida en el equipo de extensión).

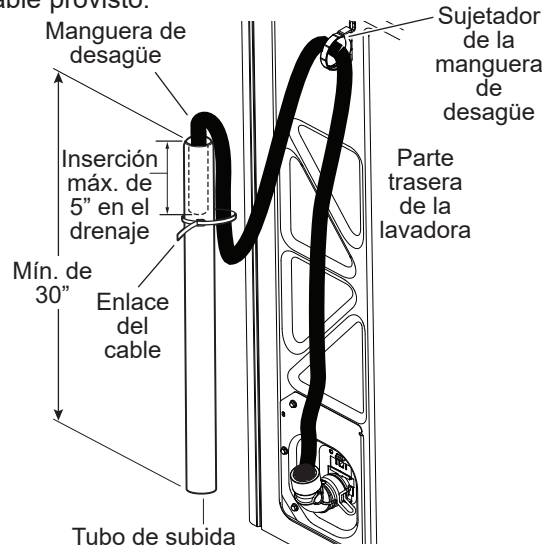
Si las válvulas de agua y el drenaje están adheridos a la pared, ajuste la manguera de desagüe a una de las mangueras de agua con el enlace para cable provisto.



NOTA: Colocar la manguera de drenaje muy debajo de la tubería de drenaje puede provocar un efecto de sifón. No debe haber más de 5 pulgadas de manguera en la tubería de drenaje. Debe haber un espacio de aire alrededor de la manguera de drenaje. Si la manguera está muy ajustada, también puede provocarse un efecto de sifón.

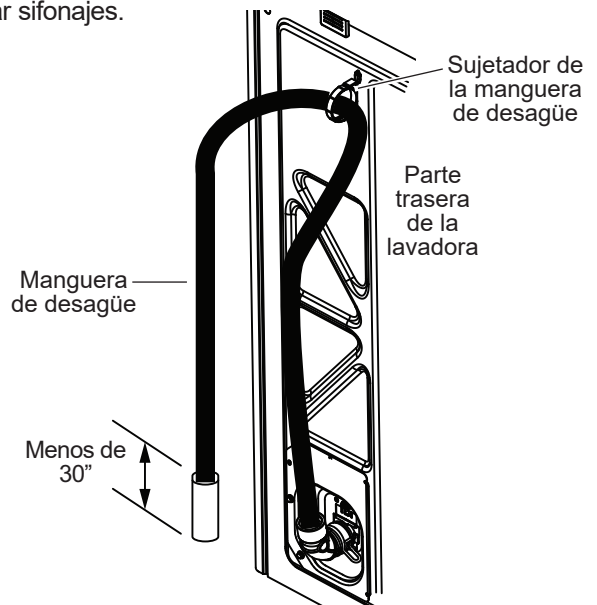
6 CONECTE AL DRENAJE (Continúa)

Si el drenaje es un tubo de subida, ajuste la manguera de drenaje al tubo de subida con el enlace de cable provisto.



NOTA: Colocar la manguera de drenaje muy debajo de la tubería de drenaje puede provocar un efecto de sifón. No debe haber más de 5 pulgadas de manguera en la tubería de drenaje. Debe haber un espacio de aire alrededor de la manguera de drenaje. Si la manguera está muy ajustada, también puede provocarse un efecto de sifón.

Si la altura de la descarga del drenaje no cubre el requisito de altura mínima de 30\", el extremo de la manguera de desagüe debe ser asegurado por un instalador en la abertura del desagüe del hogar y se deberá dejar una brecha de aire alrededor de la manguera para evitar sifonajes.



NOTA: Colocar la manguera de drenaje muy debajo de la tubería de drenaje puede provocar un efecto de sifón. No debe haber más de 5 pulgadas de manguera en la tubería de drenaje. Debe haber un espacio de aire alrededor de la manguera de drenaje. Si la manguera está muy ajustada, también puede provocarse un efecto de sifón.

Instrucciones de instalación

REQUISITOS ELÉCTRICOS

⚠ ADVERTENCIA - Riesgo de Descarga Eléctrica

Enchufe a un tomacorriente de 3 clavijas con conexión a tierra.

NO retire la terminal de tierra.

NO UTILICE un cable de extensión.

NO UTILICE un enchufe adaptador con este artefacto.

Si no se siguen estas instrucciones, se podrá producir la muerte, incendio o descargas eléctricas.

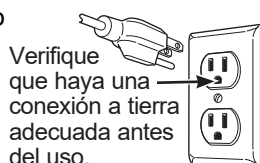
CIRCUITO – individual, correctamente polarizado y conectado a un disyuntor de 15 o 20 amperes o a un fusible con retardo.

SUMINISTRO DE CORRIENTE – 2 cables y conexión a tierra, 120 voltios, fase simple, 60 Hz., corriente alterna.

Receptáculo Externo – receptáculo de 3 clavijas correctamente conectado a tierra, ubicado de modo que el cable de corriente esté accesible cuando la lavadora esté en una posición instalada. Si hay un

receptáculo de 2 clavijas, es responsabilidad del propietario solicitar a un electricista matriculado que reemplace el mismo por un receptáculo de 3 clavijas con conexión a tierra, que esté correctamente conectado a tierra.

La lavadora deberá estar correctamente conectada a tierra de acuerdo con los códigos y ordenanzas locales, o en ausencia de códigos locales, con la última edición del Código Eléctrico Nacional, ANSI/NFPA NO. 70 o el Código Eléctrico Canadiense, CSA C22.1. En caso de no estar seguro de que la lavadora esté correctamente conectada a tierra, consulte a un electricista matriculado.

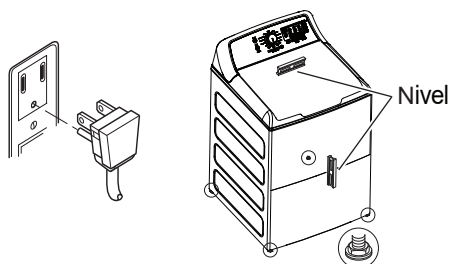


7 CONECTE LA CORRIENTE E INSTALE

Enchufe el cordón eléctrico en un tomacorriente de 120 voltios y de 15 ó 20 amperios. Desplace la lavadora hacia su posición final. Asegúrese de que nada se extienda hacia arriba dentro del gabinete de la lavadora desde debajo de la lavadora. Coloque el nivel en el extremo superior lateral de la lavadora. Ajuste las cuatro patas niveladoras hasta que la lavadora esté nivelada de izquierda a derecha y del frente a la parte trasera. Quite el nivel.

Abra la tapa del tambor. Quite tina material evio (consulte el paso 1).

Quite la lámina protectora de plástico del frente del tablero de control.



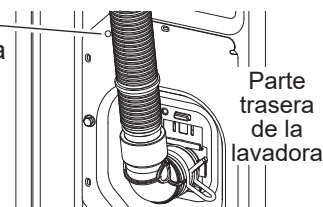
INSTRUCCIONES DE CONEXIÓN A TIERRA

Este electrodoméstico deberá estar conectado a tierra. En caso de avería o mal funcionamiento, la conexión a tierra reducirá el riesgo de descargas eléctricas al brindar un camino con una resistencia menor para la corriente eléctrica. Este electrodoméstico está equipado con un cable con un conductor para la conexión a tierra del equipo y un enchufe con conexión a tierra. El enchufe deberá estar conectado a un tomacorriente instalado en forma adecuada y con conexión a tierra de acuerdo con todos los códigos y ordenanzas locales.

⚠ **ADVERTENCIA** Una conexión inapropiada del conductor de conexión a tierra del equipo puede provocar riesgos de descargas eléctricas. Consulte a un electricista calificado o personal o representantes del servicio técnico si tiene dudas de que el electrodoméstico se encuentre conectado a tierra apropiadamente. **NO** modifique el enchufe en el cable de suministro de corriente. Si no coincide con la toma de corriente, contrate a un electricista calificado para que instale una toma de corriente en forma adecuada.

Si los códigos locales lo requieren, se podrá agregar un cable a tierra externo de cobre de calibre 18 o más grande (no provisto). Adhiera el gabinete de la lavadora con un tornillo de chapa metálica N°10-16 x 1/2" (disponible en cualquier tienda de repuestos) a la parte trasera de la lavadora, siguiendo la ilustración.

Conecte el cable a tierra y el tornillo de conexión a tierra (adquirido localmente)



Instalación en Casas Rodantes:

La instalación se deberá realizar conforme con la Ley de Estándar para Casas Rodantes (Standard for Mobile Homes), ANSI A119.1 y de Estándares Nacionales de Construcción y Seguridad de Casas Rodantes (National Mobile Home Construction and Safety Standards Act) de 1974 (PL93-383).

LISTA DE VERIFICACIÓN FINAL

Antes de poner en funcionamiento la lavadora, asegúrese de comprobar lo siguiente:

- La alimentación está conectada.
- La lavadora está enchufada.
- Las llaves de paso están abiertas.
- La lavadora está nivelada y que cada una de las cuatro patas niveladoras estén en contacto con el piso.
- La gomaespuma del embalaje y cartón debe ser retirada.
- La tubería de desagüe se ha asegurado correctamente.
- No existe ninguna fuga en la llave de paso, la tubería de desagüe ni la lavadora.
- Retire el tapón de la conexión de drenaje, si está presente, antes de instalar la manguera de drenaje.


Ponga en funcionamiento la lavadora en un ciclo completo.

- Compruebe que no haya fugas de agua y que funcione correctamente.
- Coloque las instrucciones en un lugar próximo a la lavadora para futuras consultas.

Antes de Solicitar el Servicio Técnico

Problema	Causas posibles	Qué hacer
Quedó una cantidad pequeña de agua en el dispensador (en algunos modelos) al final del ciclo	Funcionamiento normal del dispensador	Es normal que una cantidad pequeña de agua permanezca en el dispensador luego del ciclo.
Espray corto o activación de la bomba de drenaje y retraso luego de presionar el botón Start (Encendido)	La tapa fue abierta y cerrada entre la selección del ciclo y el inicio	Esto es normal. Lea la sección SECUENCIA DE INICIO en las Instrucciones de seguridad .
El nivel de agua parece bajo	Esto es normal	El agua puede no cubrir el nivel superior de las prendas. Esto es normal para esta lavadora de alta eficiencia.
Flujo bajo de agua	Los filtros de malla de la válvula de agua están tapados	Cierre la llave del agua y quite las mangueras de conexión de agua de la parte superior trasera de la lavadora y de los grifos de agua. Limpie ambos filtros de las mangueras (si están equipadas con estos) y los filtros de la máquina usando un cepillo o un cepillo de dientes. Vuelva a conectar las mangueras y abra el agua de nuevo. Asegúrese de que no haya pérdidas en las conexiones.
	Presión baja del suministro de agua	Si la presión de agua en las entradas de la lavadora es inferior a 20 psi mientras la lavadora está realizando el llenado de forma activa, llame a un plomero para que evalúe el suministro de agua y realice las conexiones necesarias para incrementar la presión de agua.
El agua genera un efecto de sifón hacia afuera de la lavadora	El tubo de alimentación del drenaje está demasiado bajo o la manguera está demasiado lejos del tubo de subida	La manguera de drenaje debe superar las 30" en algún punto entre la parte trasera de la lavadora y el tubo de drenaje. Use un sujetador anti sifonaje. Lea las Instrucciones de Instalación .
Demasiada espuma	Agua blanda	Pruebe con menos detergente.
	Demasiado detergente	Mida el detergente con cuidado. Use menos jabón si tiene agua blanda, una carga más liviana o ropa poco sucia.
	Tipo de detergente	Cambie a detergente de Alta Eficiencia tales como Tide PODS™ y detergentes líquidos.
Fugas de agua	Tipo de detergente	Cambie a detergente de Alta Eficiencia tales como Tide PODS™ y detergentes líquidos.
	Demasiado detergente en la lavadora	Use menos detergente. Use menos jabón si tiene agua blanda, una carga más liviana o ropa poco sucia.
	La manguera de llenado o la de desagüe está mal conectada	Asegúrese de que las conexiones de la manguera estén firmes en los grifos y que las arandelas de goma estén instaladas. Asegúrese de que el extremo de la manguera de desagüe esté insertado como corresponde y bien seguro al desagüe.
	Desagüe de la casa está tapado	Examine la tubería de la casa. Tendrá que llamar al fontanero.
	La manguera de desagüe roza la pared	Asegúrese de que la manguera de desagüe no haga contacto con la pared. Esto puede provocar un desgaste excesivo en la manguera.
	Presión de agua constante a las mangueras de llenado en la fuente de agua	Ajuste las mangueras a los grifos. Verifique la condición de las mangueras de llenado; se deben reemplazar cada 5 años.
La temperatura del agua parece incorrecta	Temperaturas más frías del agua proporcionan mayor eficiencia energética	Se han formulado nuevos detergentes para colada que trabajan con temperaturas más frías del agua sin afectar el rendimiento del lavado.
	La provisión de agua está cerrada o mal conectada	Se han formulado nuevos detergentes para colada que mangueras están conectadas a los grifos correctos. NOTA: Las válvulas de agua están marcadas con "H" y "C".
	Los filtros de malla de la válvula de agua están tapados	Cierre la llave del agua y quite las mangueras de conexión de agua de la parte superior trasera de la lavadora y de los grifos de agua. Limpie ambos filtros de las mangueras (si están equipadas con estos) y los filtros de la máquina usando un cepillo o un cepillo de dientes. Vuelva a conectar las mangueras y abra el agua de nuevo. Asegúrese de que no haya pérdidas en las conexiones.
	Agua fresca/fría cuando se selecciona caliente.	Esto es normal. La lavadora detecta la temperatura del agua (en algunos modelos) y la optimiza para mejores resultados. El agua fría se agrega en forma periódica cuando se selecciona agua caliente.
	El calentador de agua de la casa no está configurado correctamente	Asegúrese de que el calentador esté suministrando agua a 120°F–140°F (48°C–60°C).
Agua bombeada antes de completarse el ciclo	El agua se quedó en la unidad durante 24 horas con la tapa cerrada o 15 minutos con la tapa abierta	El ciclo anterior ha sido cancelado. Cierre la tapa, seleccione el nuevo ciclo y arranque la lavadora.
El agua no drena	La manguera de desagüe está doblada o mal conectada	Enderece la manguera de desagüe y asegúrese de que la lavadora no esté apoyada sobre ella. La parte superior de la salida del desagüe debe estar a menos de 8 pies (2,44 m) por encima del piso.
La lavadora se gira y pausa en el inicio de los ciclos	Esto es normal	La lavadora está sintiendo la carga.
Cambios de velocidad antes, durante y después del giro	La lavadora ajusta las velocidades durante varios minutos	Esto es normal. La lavadora ajustará de forma automática las velocidades antes, durante y después del ciclo de giro, a fin de distribuir y hacer girar de forma más efectiva la carga del lavado.

Antes de Solicitar el Servicio Técnico

Problema	Causas posibles	Qué hacer
La lavadora se interrumpe durante el ciclo de lavado	Se seleccionó la opción Soak (Remojo)	Esto es normal. La lavadora alterna entre agitar y remojar durante estos ciclos para que sus prendas se limpien mejor con menos desgaste.
	Esto es normal	Muchos ciclos incorporan una serie de opciones de remojo dentro del período de agitación, a fin de dejar su ropa limpia con menor desgaste.
Polvo residual en el dispensador o atascamiento de los dispensadores (en algunos modelos)	El agua usada para el lavado es demasiado fría o la presión de agua es baja en el hogar	Seleccione una temperatura de lavado más caliente, si es posible, para que el detergente se disuelva de mejor manera o use detergente líquido. Asegúrese de que las tapas de sifoneo estén libres de suciedad y completamente presionadas en sus respectivas posiciones. Retire y limpie la bandeja en caso de atascamiento.
Los aditivos de lavado se dispensan demasiado rápido (Dispensadores en algunos modelos)	Desborde de los dispensadores	No sobrecargue ni agregue agua al dispensador. Seleccione la opción Deep Rinse (Enjuague Profundo) al usar el suavizante para telas.
La lavadora se interrumpe durante el ciclo de centrifugado	Esto es normal	La lavadora puede hacer pausas durante el ciclo de centrifugado para eliminar el agua jabonosa con más eficiencia.
La lavadora no funciona	La lavadora no está enchufada	Asegúrese de que el cable esté bien enchufado a un tomacorriente que funcione.
	La fuente de agua está cerrada	Abra por completo los grifos de agua fría y caliente.
	La puerta está abierta—una característica de seguridad impide la agitación y centrifugado cuando la puerta está levantada	Cierre la puerta y oprima Start .
	El disyuntor/fusible está cortado/quemado	Verifique el disyuntor/fusibles. Reemplace los fusibles o reajuste el disyuntor. La lavadora debe tener un tomacorriente separado.
	Hay que reajustar la electrónica	Desenchufe la lavadora, espere 2 minutos, vuelva a enchufarla y oprima Start .
	No se oprimió Start	Oprima Start .
El paquete de detergente no se disuelve en la cámara del Dispensador del Paquete de Lavandería	Agua de lavado demasiado fría o tipo/ cantidad de paquete de detergente	Recomendamos el uso de paquetes de lavandería de Alta Eficiencia  tales como Tide PODS™ o Gain Flings™. Al usar el ciclo de prendas delicadas, coloque el paquete de detergente en la parte inferior de la canasta, ya que esto ayudará a abrir el paquete con un nivel de agitación más suave. Si es posible, seleccione una temperatura de lavado más caliente para mejorar la disolución de los paquetes de detergente. No supere la cantidad de la dosis recomendada por el fabricante.
Cambios sin explicación en el tiempo y/o la configuración	Opciones de cambios (en algunos modelos)	Esto es normal. Varias opciones cambiarán otras opciones a fin de maximizar el desempeño del lavado.
El tambor parece suelto libremente	El tambor se mueve o gira	El tambor de la lavadora no cuenta con un freno tradicional. El tambor se mueve libremente. Esto es normal.
Manchas de colores en las prendas	Uso incorrecto del tejido suavizante	Lea las instrucciones en el envase del suavizante y siga las recomendaciones para el uso del dosificador. Verifique que haya seleccionado la opción de Deep Rinse (Enjuague Profundo). Trate manchas en forma previa y vuelva a lavar usando el ciclo Speed Wash (Lavado Rápido) antes de secar.
	Transferencia de colores	Separe las prendas blancas o de colores claros de las de colores oscuros.
Prendas grises o amarillentas	Cantidad de detergente	Asegúrese de seguir las instrucciones del fabricante del detergente.
	Agua pesada	Use un acondicionador de agua o instale un suavizador de agua.
	El agua no está lo suficientemente caliente	Asegúrese de que el calentador de agua esté suministrando agua a 120°F–140°F (48°C–60°C).
	La lavadora está sobrecargada	Cargue ropa de forma no excesiva de modo que no supere la fila superior de la canasta de la lavadora. Para un mejor resultado, cargue los ítems alrededor de la parte exterior de la canasta.
	Transferencia de colores	Separe las prendas por color. Si la etiqueta de la tela indica lavar separadamente, pueden estar indicados los colores inestables.
Pelusa o residuos en las prendas	Las prendas son secadas al aire o en el tendedor	Si no seca su colada con una secadora, sus prendas pueden retener más pelusa.
	Separación incorrecta	Separe los productores de pelusa de los que la captan.
	Lavado demasiado prolongado	Lave cantidades pequeñas durante un período más corto, usando la configuración Light Soil (Suciedad Leve).
	El detergente no se disuelve	Vuelva a lavar, la próxima vez: Pruebe un detergente líquido; Use una temperatura del agua más caliente.
	Sobrecarga	Agregue las prendas sin apretar en el tambor de la lavadora. Para un mejor resultado, cargue los ítems alrededor de la parte exterior de la canasta.
	Uso incorrecto del tejido suavizante	Lea las instrucciones en el envase del suavizante y siga las recomendaciones para el uso del dosificador. Verifique que haya seleccionado la opción de Deep Rinse (Enjuague Profundo).

Antes de Solicitar el Servicio Técnico

Problema	Causas posibles	Qué hacer
La ropa está demasiado mojada	No se seleccionó ningún giro	Seleccione una opción de giro.
	Ciclo seleccionado incorrecto	Asegúrese que el ciclo seleccionado coincida con la carga que está lavando. Algunas telas se sentirán más húmedas cuando se enjuaguen con agua fría.
	Carga de lavado desbalanceada	Redistribuya la carga en la lavadora y active el ciclo de Drain & Spin (Drenar y Girar).
Luz intermitente de giro o la luz giro en al final del ciclo	Una condición de desequilibrio es detectado por la lavadora	Deje que el ciclo continúe y acabado. La carga es más húmedo de lo normal al fin del ciclo, redistribuye la carga de manera uniforme en el tambor de lavado y ejecute un ciclo de Drain & Spin (Drenar y Girar).
Formación de bolitas	Resultado del desgaste normal de mezclas de algodón y poliéster telas con pelusa	Si bien esto no se debe a la lavadora, puede reducir la velocidad del proceso de formación de bolitas lavando las prendas dadas vuelta.
Enganches, agujeros, desgarros, rasgones o desgaste excesivo	Alfileres, broches, ganchos, botones cortantes, hebillas de cinturón, cierres y objetos cortantes dejados en los bolsillos	Cierre broches, ganchos, botones y cierres. Retire los objetos sueltos como alfileres, objetos en los bolsillos y botones cortantes. De vuelta las prendas de punto (que se enganchan fácilmente).
	Blanqueador con cloro no diluido	Vea las instrucciones en el envase del blanqueador para ver la cantidad correcta. No agregue blanqueador sin diluir a la colada ni permita que las prendas entren en contacto con el blanqueador sin diluir.
	Químicos como el blanqueador para el cabello o tintura, solución para permanente	Enjuague las prendas que puedan tener químicos antes de lavarlas. Use el ciclo Speed Wash (Lavado Rápido) con la opción Extra Rinse (Enjuague Adicional).
Arrugas	Ciclos de lavado y secado incorrectos	Haga coincidir la selección del ciclo con el tipo de tela que está lavando (especialmente para cargas fáciles de limpiar).
	Separación incorrecta	Evite mezclar las prendas pesadas (como vaqueros) con otras livianas (como blusas). Pruebe con un suavizante.
	Sobrecarga	Agregue las prendas sin apretar en el tambor de la lavadora.
	Lavado repetido en agua demasiado caliente	Lave en agua tibia o fría.
Sonidos	Causas posibles	Motivo
“Clic”	El mecanismo de conmutación está enganchado o suelto	El sistema de transmisión se engancha al inicio de la agitación y se suelta cuando ésta se completa. Esto ocurre varias veces durante el lavado.
“Silbidos” oscilantes	El motor eléctrico revierte la dirección	Éste es el sonido que hace el motor al rotar hacia atrás para limpiar la lavado.
Sonido de “clic” detrás el panel de control mientras llena	Válvula de control de la temperatura del agua	Dos válvula mezcla el agua fría y la caliente. El “clic” es cuando cualquier válvula se enciende o apaga para elevar o reducir la temperatura de llenado de agua.
El flujo de agua cambia durante el llenado	Válvula de control de la temperatura del agua	Dos válvula mezcla el agua fría y la caliente. El flujo cambia cuando cualquier válvula se enciende o apaga para elevar o reducir la temperatura de llenado de agua.
Sonidos del motor durante los giros	El motor cambie la velocidad de la temperatura del agua	El motor va aumentando la velocidad durante el ciclo de centrifugado. Cuando el centrifugado se completa, se irá deteniendo hasta que pare.
“Zumbido”	Bomba de desagüe	La bomba de desagüe hará un zumbido cuando elimine el agua tras la agitación y continuará hasta que se complete el centrifugado.
	Motor de conducción	El motor de conducción generará un “zumbido” durante el lavado y las fases de giro del ciclo.
“Gorgoteo”	Bomba de desagüe	Cuando la bomba comienza a aspirar aire, hace un gorgoteo. La lavadora comenzará el centrifugado y el sonido continuará hasta que se complete el centrifugado.
El agua “borbotea”	Proceso de lavado	Resulta normal que el agua borbotee mientras la unidad realiza la agitación, especialmente con cargas pequeñas.
La lavadora se balancea/mueve	La lavadora patas niveladoras torcida	Para nivelar la lavadora, ajuste las patas de nivelación girando la pata individual en la dirección apropiada para subir o bajar.
Sonido de “chillido”	La lavadora no está nivelada y hay roce en el gabinete	Para nivelar la lavadora, ajuste las patas de nivelación girando la pata individual en la dirección apropiada para subir o bajar.

Lavadora sonidos que pueden ser diferentes de la lavadora antes:

‘Clic’, el agua que fluye, sonidos de engranajes seguidos por pausas, y los sonidos de zumbidos eléctricos son parte del ciclo de lavado normal.

Para escuchar y ver vídeos de funcionamiento normal lavadora, por favor vaya a <http://products.geappliances.com/appliance/gea-support-search-content?contentid=23061> o escanear el código QR. **NOTA:** El sitio web es sólo en Inglés, pero los videos son todavía útiles para escuchar los sonidos que pueda oír.



Garantía limitada de la lavadora GE Appliances

GEAppliances.com

Todo el servicio de garantía es provisto por nuestros Centros de Servicio de Fabricación, o un técnico autorizado de Servicio al Cliente (Customer Care®). Para programar una visita del servicio técnico, visítenos a través de Internet en **GEAppliances.com**, o llame GE Appliances al 800.GE.CARES (800.432.2737). Cuando llame para solicitar el servicio, tenga los números de serie y modelo disponibles.

Para realizar el servicio técnico de su electrodoméstico se podrá requerir el uso de datos del puerto de abordaje para su diagnóstico. Esto da al técnico del Servicio de Fábrica de GE Appliances la habilidad de diagnosticar de forma rápida cualquier problema con su electrodoméstico, y de ayudar a GE Appliances a mejorar sus productos al brindarle a GE Appliances la información sobre su electrodoméstico. Si no desea que los datos de su electrodoméstico sean enviados a GE Appliances, solicitamos que le indique a su técnico NO entregar los datos a GE Appliances en el momento del servicio.

Por el Período de:	GE Appliances reemplazará:
Un Año Desde la fecha de compra original	Cualquier pieza especificada de fábrica de la lavadora que falle debido a un defecto de los materiales o la mano de obra. Durante esta garantía limitada de un año , también ofrecemos, en forma gratuita , toda la mano de obra y los costos de servicio para reemplazar la pieza defectuosa.
Diez años Desde la fecha de compra original	El motor, si falla debido a un defecto de fabricación o de mano de obra. Durante estos nueve años adicionales de garantía limitada, usted será responsable por cualquier trabajo y los costos relacionados con el servicio técnico.

Qué No Cubrirá GE Appliances:

- Viajes del personal de servicio a su casa para enseñarle cómo usar su producto.
- Instalación, entrega o mantenimiento inapropiada.
- Fallas del producto si es maltratado, mal usado, o usado para un propósito diferente del que se creó o si es usado para usos comerciales.
- Cambio de los fusibles de su casa o reajuste del circuito de interruptores.
- Productos sin defectos o rotos, o los cuales se encuentran funcionando como se indica en el Manual del propietario.
- Daños al producto causados por accidentes, incendios, inundaciones o actos de la naturaleza.
- Daños imprevistos resultantes causados por posibles defectos con este electrodoméstico.
- Defectos o daños debido a la puesta en funcionamiento a temperaturas de congelación.
- Daños causados después del envío.
- Producto no accesible para facilitar el servicio requerido.

EXCLUSIÓN DE GARANTÍAS IMPLÍCITAS

Su única y exclusiva alternativa es la reparación del producto, como se indica en la Garantía Limitada. Las garantías implícitas, incluyendo garantías implícitas de comerciabilidad o conveniencia sobre un propósito particular, se limitan a un año o al período más corto permitido por la ley.

Esta garantía limitada se extiende al comprador original y a cualquier propietario subsecuente para productos comprados para uso doméstico dentro Estados Unidos. Si el producto está situado en un área que no dispone de servicio por parte de un proveedor de servicio autorizado de GE Appliances, podría tener que hacerse cargo de los costes de envío o bien podría solicitarse que lleve el producto a un centro de servicio de GE Appliances autorizado para realizar la reparación. En Alaska, la garantía limitada excluye el costo de envío o las visitas de servicio a su casa.

Algunos estados no permiten la exclusión o limitación de daños imprevistos. Esta garantía limitada le da sus derechos legales específicos, y es posible que usted tenga otros derechos legales que varían de estado a estado. Para informarse de cuáles son sus derechos legales, consulte a su oficina de asuntos del consumidor local o estatal o póngase en contacto con la Oficina de su Procurador General.

Garante: GE Appliances, a Haier company, Louisville, KY 40225

Garantías Extendidas: Adquiera una garantía extendida de GE Appliances y conozca los descuentos especiales que están disponibles mientras su garantía aún está vigente. Puede acceder a la misma a través de Internet en cualquier momento en

geappliances.com/extended-warranty

o llamando al 800.626.2224 durante el horario comercial. Los Servicios para los GE Appliances aún estarán disponibles cuando su garantía caduque.

Aproveche su recibo aquí. Para acceder al servicio técnico de acuerdo con la garantía deberá contar con la prueba de la fecha original de compra.

Soporte para el Consumidor

Sitio Web de GE Appliances

¿Desea realizar una consulta o necesita ayuda con su electrodoméstico? ¡Intente a través del Sitio Web de GE Appliances las 24 horas del día, cualquier día del año! Usted también puede comprar más electrodomésticos maravillosos de GE Appliances y aprovechar todos nuestros servicios de soporte a través de Internet, diseñados para su conveniencia. GEAppliances.com.

Registre su Electrodoméstico

¡Registre su electrodoméstico nuevo a través de Internet, según su conveniencia! Un registro puntual de su producto permitirá una mejor comunicación y un servicio más puntual de acuerdo con los términos de su garantía, en caso de surgir la necesidad. También puede enviar una carta en la tarjeta de inscripción preimpresa que se incluye con el material embalado. GEAppliances.com/register.

Servicio Programado

El servicio de reparación de expertos de GE Appliances está a sólo un paso de su puerta. Conéctese a través de Internet y programe su servicio a su conveniencia cualquier día del año.

GEAppliances.com/service o comuníquese al 800.432.2737 durante el horario de atención comercial.

Garantías Extendidas

Adquiera una garantía extendida de GE Appliances y conozca los descuentos especiales que están disponibles mientras su garantía aún está vigente. La puede adquirir en cualquier momento a través de Internet. Los servicios de GE Appliances aún estarán allí cuando su garantía caduque.

GEAppliances.com/extended-warranty o comuníquese al 800.626.2224 durante el horario de atención comercial.

Conectividad Remota

Para solicitar asistencia para la conectividad de red inalámbrica, visite nuestro sitio web en GEAppliances.com/connect o comuníquese al 800.220.6899.

Piezas y Accesorios

Aquellos individuos calificados para realizar el servicio técnico de sus propios electrodomésticos podrán solicitar el envío de piezas o accesorios directamente a sus hogares (se aceptan las tarjetas VISA, MasterCard y Discover). Ordene hoy a través de Internet durante las 24 horas, todos los días. GEApplianceparts.com o de forma telefónica al 877.959.8688 durante el horario de atención comercial.

Las instrucciones que figuran en este manual cubren los procedimientos que serán realizados por cualquier usuario. Otros servicios técnicos generalmente deben ser derivados a personal calificado del servicio. Se deberá tener cuidado, ya que una reparación indebida podrá hacer que el funcionamiento no sea seguro.

Contáctenos

Si no se encuentra satisfecho con el servicio que recibió de GE Appliances, comuníquese con nosotros a través de nuestro sitio Web con todos los detalles, incluyendo su número telefónico, o escriba a:

General Manager, Customer Relations | GE Appliances, Appliance Park | Louisville, KY 40225
GEAppliances.com/contact o comuníquese al 800.626.2000

