

# HOTPOINT®

March 2005



Enhance your kitchen with the look of stainless.



# HOTPOINT®

In Silver Metallic



## Hotpoint in silver metallic. Today's alternative to stainless.



### *Offer a striking contemporary look*

- Unique silver metallic finish complements any kitchen décor, countertop and cabinetry regardless of their color or finish
- Full-line of appliances offer a distinct design advantage



### *Take advantage of this durable design option*

- Silver metallic finish resists fingerprints and is easy to wipe clean
- Refrigerators hold magnets for everyday convenience



### *Enhance the look of your kitchen with the look of stainless steel*

- Stainless steel is a growing trend and GE is leading the way
- Increases perceived value of your property
- Coordinates with other appliance colors

## Refrigeration

Side-By-Sides.....	6-7
Top-Freezers .....	8-16
GE Manual Defrost.....	16
GE Spacemaker®.....	17
GE Upright Freezers.....	18
GE Chest Freezers.....	19
Specifications .....	20-23

## Free-Standing Ranges

Smooth Top.....	24
Coil Top.....	25
Electric .....	26
30" Ranges.....	26-31
Specialty Application Ranges.....	31
Specifications .....	32-33
Gas .....	34
30" Ranges.....	34-37
Specialty Application Ranges.....	37
Specifications .....	38-39

<b>Hoods</b> .....	40
Specifications .....	41

## Microwave Ovens

Counter Saver Plus™ and Countertop .....	42
GE Spacemaker II™ and Countertop.....	43
GE Trim and Hanging Kits.....	43
Specifications .....	44-45

<b>Dishwashers</b> .....	46-47
GE Spacemaker® Undersink .....	48
GE Built-In 18".....	48
GE Convertible .....	48
Specifications .....	50-52

<b>GE Disposers and GE Compactors</b> .....	49
Specifications .....	53

## Washers and Dryers

Super and Extra-Large Capacity Washers.....	54
Super and Extra-Large Capacity Dryers .....	55
GE Spacemaker® Washers and Dryers .....	56
GE Unitized Washer and Dryer.....	57
Specifications .....	58-61

## GE Air Conditioning

GE Air Conditioning.....	62-65
GE Slide-Aire and Heat/Cool.....	66
GE Dehumidifiers, GE Portable and Low Profile Air Conditioners .....	67
GE Built-in Series .....	68-69
Specifications .....	70-74

<b>Warranties</b> .....	75
-------------------------	----

<b>Consumer Services</b> .....	Back cover
--------------------------------	------------

## Side-by-Side Refrigerators

Hotpoint® side-by-side refrigerators combine storage convenience with state-of-the-art technology. Outside, an extra-tall LightTouch! dispenser delivers filtered water and ice at the slightest touch.



**LightTouch! dispenser**  
Taller LightTouch! dispenser fills sport bottles, pitchers, even blenders! Delivers chilled, filtered water and ice.



**Adjustable gallon door bins**  
Door bins hold gallon containers and six-packs in the fresh food compartment.



**FrostGuard™ technology**  
Defrosts only as needed, reducing freezer burn.



**Upfront electronic dial temperature controls**  
Conveniently located controls are easy to set and see.



**Sealed pans**  
Provide the perfect storage environment for fresh foods.



**HSM25GFR**

### **HSM25GFR**

- Silver metallic exterior
- 25.0 cubic foot capacity
- Upfront electronic dial temperature controls
- Tall LightTouch! dispenser
- Three adjustable glass shelves
- Clear vegetable/fruit crisper
- Four door bins (2 adjustable with gallon storage)
- GE SmartWater™ filtration
- FrostGuard™ technology
- Deluxe quiet design
- NeverClean™ condenser



**HSS25GFP**

**HSS25GFP**

- Similar features as HSM25GFR in white

# Top-Freezer Refrigerators

Hotpoint® top-freezer refrigerators are designed for total convenience and flexibility. Adjustable shelves provide easy access to contents, while upfront controls allow easy adjustment of temperatures.



**Upfront illuminated temperature controls**  
Conveniently located controls are easy to set and see.



**Fixed gallon door storage**  
Provides storage for gallon containers, six-packs and other large fresh food items.



**Clear crispers**  
Provide easy storage for vegetables and fruits.



**Snack pan**  
Excellent for rewrapped meats, cheese, hors d'oeuvres, pudding and other snacks.



**Dairy compartment**  
Clear, lift-open cover provides easy access to butter, cheese and other dairy products.



**Spillproof freezer floor**  
Seamless design makes freezer cleanup simple.



HTS22GBP

**HTS22GBP**

- 21.8 cubic foot capacity
- Upfront illuminated fresh food temperature controls
- Two full-width, glass shelves
- Two full-width door bins (1 with gallon storage)
- One split door shelf with gallon storage
- Two clear vegetable/fruit crispers
- Clear snack pan
- Equipped for optional automatic icemaker
- Deluxe quiet design
- Available in white and bisque

Not all features available on all models. Complete features and specifications on page 20.





### HTM181BP

#### HTM181BP

- Silver metallic exterior
- 17.9 cubic foot capacity
- Illuminated upfront slimline temperature controls
- One full-width, two split adjustable glass shelves
- Two clear vegetable/fruit crispers
- Two full-width gallon door bins, one split gallon door shelf
- Spillproof freezer floor

# Top-Freezer Refrigerators

## HTS18GBS

- 18.2 cubic foot capacity
- Upfront temperature controls
- Two full-width adjustable glass shelves
- Two fixed gallon door shelves
- Can storage door shelf
- Two clear vegetable/fruit crispers
- Clear snack pan
- Deluxe quiet design
- NeverClean™ condenser
- Available in white

## HTS18CCS

- 18.2 cubic foot capacity
- Upfront temperature controls
- Factory-installed automatic icemaker
- Two fixed gallon door shelves
- Can storage door shelf
- Two full-width adjustable wire shelves
- Two classic white vegetable/fruit crispers
- Deluxe quiet design
- NeverClean condenser
- Available in white and bisque

## HTS18CBS (not shown)

- Similar features and appearance as HTS18CCS without factory-installed icemaker.
- Available in white and bisque



HTS18GBS



HTS18CCS

## Top-Freezer Refrigerators

### HTS18BCP

- 18.0 cubic foot capacity
- Upfront illuminated temperature controls
- Two full-width adjustable wire shelves
- Three fixed door shelves (2 with gallon storage)
- Two classic white vegetable/fruit crispers
- Equipped with factory-installed icemaker
- Spillproof freezer floor
- Deluxe quiet design
- NeverClean condenser
- Available in white

### HTS18BBP

- Similar features and appearance as HTS18BCP without factory-installed icemaker.
- Available in white and bisque



HTS18BCP



HTS18BBP

# Top-Freezer Refrigerators



## Gallon door storage

Accommodates gallon containers for quick access to most-used items.

## HTS17HBS

- 16.6 cubic foot capacity
- Upfront temperature controls
- One full-width, two split adjustable glass shelves
- Two fixed gallon door shelves
- Two clear vegetable/fruit crispers
- Clear snack pan
- Equipped for optional automatic icemaker
- Deluxe quiet design
- NeverClean™ condenser
- Available in white and bisque

## HTS17GBS

- 16.6 cubic foot capacity
- Upfront temperature controls
- Two full-width adjustable glass shelves
- Two fixed gallon door shelves
- Two clear vegetable/fruit crispers
- Clear snack pan
- Equipped for optional automatic icemaker
- Deluxe quiet design
- NeverClean condenser
- Available in white



HTS17HBS



HTS17GBS

Not all features available on all models.  
Complete features and specifications on page 21.

## Top-Freezer Refrigerators

### HTS17BCS

- 16.6 cubic foot capacity
- Upfront temperature controls
- Factory-installed automatic icemaker
- Two full-width adjustable wire shelves
- Two fixed gallon door shelves
- Two classic white vegetable/fruit crispers
- Deluxe quiet design
- NeverClean condenser
- Available in white

### HTS17BBS (not shown)

- Similar features and appearance as HTS17BCS without factory-installed icemaker.
- Available in white and bisque

### HTR17BBS

- 16.6 cubic foot capacity
- Upfront temperature controls
- Recessed door handles
- Two full-width adjustable wire shelves
- Two fixed gallon door shelves
- Two classic white vegetable/fruit crispers
- Equipped for optional automatic icemaker
- Deluxe quiet design
- NeverClean condenser
- Available in white and bisque



HTS17BCS



HTR17BBS

# Top-Freezer Refrigerators

## HTM17BBS

- Silver metallic exterior
- 16.6 cubic foot capacity
- Upfront temperature controls
- Two full-width adjustable wire shelves
- Two fixed gallon door shelves
- Two classic white vegetable/fruit crispers
- Equipped for optional automatic icemaker
- Deluxe quiet design
- NeverClean™ condenser

## HTS16BBS

- 15.7 cubic foot capacity
- Upfront temperature controls
- Two full-width adjustable wire shelves
- Two fixed gallon door shelves
- Two classic white vegetable/fruit crispers
- Equipped for optional automatic icemaker
- Deluxe quiet design
- NeverClean condenser
- Available in white and bisque

## HTH16BBS (not shown)

- Similar features and appearance as HTS16BBS except ENERGY STAR®-qualified.
- Available in white and bisque



HTM17BBS



HTS16BBS

## Top-Freezer Refrigerators



### Recessed handles

Color-matched recessed door handles reflect the latest in European design and appearance.

### HTR16BBS

- 15.7 cubic foot capacity
- Upfront temperature controls
- Recessed handles
- Two full-width adjustable wire shelves
- Two fixed gallon door shelves
- Two classic white vegetable/fruit crispers
- Equipped for optional automatic icemaker
- Deluxe quiet design
- NeverClean condenser
- Available in white and bisque

### HTR16ABS

- 15.6 cubic foot capacity
- Upfront temperature controls
- Recessed handles
- Two full-width adjustable wire cabinet shelves
- Two fixed gallon door shelves
- One full-width white vegetable/fruit crisper
- Equipped for optional automatic icemaker
- Deluxe quiet design
- NeverClean condenser
- Available in white and bisque



HTR16BBS



HTR16ABS

Not all features available on all models.  
Complete features and specifications on page 21.

## GE® Top-Freezer Refrigerators

### GTS12BBP

- 11.9 cubic foot capacity
- Two full-width, adjustable wire cabinet shelves
- Two full-width and one half fixed door shelves
- One full-width, white vegetable/fruit crisper
- Equipped for optional automatic icemaker
- Available in white and bisque

### GTR11AAP

- 11.4 cubic foot capacity
- Two full-width wire cabinet shelves
- One full-width white vegetable/fruit crisper
- One wire full-width freezer shelf
- Available in white



GTS12BBP



GTR11AAP

## GE Manual Defrost Refrigerator



### GMS10AAR

- 9.7 cubic foot capacity
- Five door shelves (two egg)
- Two adjustable wire cabinet shelves
- Full-width vegetable/fruit crisper
- Tall bottle storage
- Available in white

GMS10AAR





# GE® Upright Freezers



Lock provides security.

## FUF20DP

- 20.3 cu. ft. capacity
- Five cabinet shelves, three adjustable
- One slide-out bulk storage basket
- Six door shelves
- Adjustable temperature control
- Built-in lock
- Interior light
- Limited food loss warranty\*
- Available in white

## FUF17DP (not shown)

- 16.7 cu. ft. capacity
- Four cabinet shelves, three adjustable
- One slide-out bulk storage basket
- Five door shelves
- Adjustable temperature control
- Built-in lock
- Interior light
- Limited food loss warranty\*
- Available in white

## FUF14DP (not shown)

- 13.7 cu. ft. capacity
- Three cabinet shelves, two adjustable
- One slide-out bulk storage basket
- Five door shelves
- Adjustable temperature control
- Built-in lock
- Interior light
- Limited food loss warranty\*
- Available in white

## FUM21DR

- 20.6 cu. ft. capacity
- Five cabinet shelves, one adjustable
- One slide-out bulk storage basket
- Six door shelves
- Defrost water drain
- Adjustable temperature control
- Built-in lock
- Interior light
- Limited food loss warranty\*
- Available in white

## FUM17DR (not shown)

- 17.1 cu. ft. capacity
- Four cabinet shelves, one adjustable
- One slide-out bulk storage basket
- Five door shelves
- Defrost water drain
- Adjustable temperature control
- Built-in lock
- Interior light
- Limited food loss warranty\*
- Available in white

## FUM14DR (not shown)

- 14.1 cu. ft. capacity
- Four cabinet shelves, one adjustable
- One slide-out bulk storage basket
- Five door shelves
- Defrost water drain
- Adjustable temperature control
- Built-in lock
- Interior light
- Limited food loss warranty\*
- Available in white

## FUM14SR (not shown)

- 14.1 cu. ft. capacity
- Three cabinet shelves
- Five door shelves
- Defrost water drain
- Adjustable temperature control
- Limited food loss warranty\*
- Available in white

## FUM5SN (not shown)

- 5.0 cu. ft. capacity
- Two cabinet shelves
- Three door shelves
- Adjustable temperature control
- Limited food loss warranty\*
- Available in white



FUF20DP



FUM21DR

\*See written warranty for complete details.  
Not all features available on all models.  
Complete features and specifications on page 23.



Bulk storage baskets lift out and slide from side-to-side for fast, easy loading and unloading.

### FCM25RM

- 25.1 cu. ft. capacity
- Four lift-out and sliding bulk storage baskets
- Adjustable temperature control
- Upfront defrost drain
- Built-in lock
- Interior light
- Limited food loss warranty\*
- Available in white

### FCM20DP (not shown)

- 19.7 cu. ft. capacity
- Three lift-out and sliding bulk storage baskets
- Adjustable temperature control
- Upfront defrost drain
- Built-in lock
- Interior light
- Limited food loss warranty\*
- Available in white

### FCM15DP

- 14.8 cu. ft. capacity
- Two lift-out and sliding bulk storage baskets
- Adjustable temperature control
- Upfront defrost drain
- Built-in lock
- Interior light
- Limited food loss warranty\*
- Available in white

### FCM15SP (not shown)

- 14.8 cu. ft. capacity
- One lift-out and sliding bulk storage basket
- Adjustable temperature control
- Upfront defrost drain
- Limited food loss warranty\*
- Available in white

### FCM9DM

- 8.8 cu. ft. capacity
- Two lift-out and sliding bulk storage baskets
- Adjustable temperature control
- Upfront defrost drain
- Built-in lock
- Interior light
- Limited food loss warranty\*
- Available in white

### FCM7DN (not shown)

- 7.0 cu. ft. capacity
- Power "ON" light
- Two lift-out and sliding bulk storage baskets
- Adjustable temperature control
- Upfront defrost drain
- Built-in lock
- Limited food loss warranty\*
- Available in white

### FCM5DM (not shown)

- 5.0 cu. ft. capacity
- Power "ON" light
- Two lift-out and sliding bulk storage baskets
- Adjustable temperature control
- Upfront defrost drain
- Built-in lock
- Available in white

### FCM5SM (not shown)

- 5.0 cu. ft. capacity
- One lift-out and sliding bulk storage basket
- Adjustable temperature control
- Upfront defrost drain
- Available in white



FCM25RM

FCM15DP

FCM9DM

\*See written warranty for complete details.

Not all features available on all models.

Complete features and specifications on page 23.

# Refrigeration Specifications

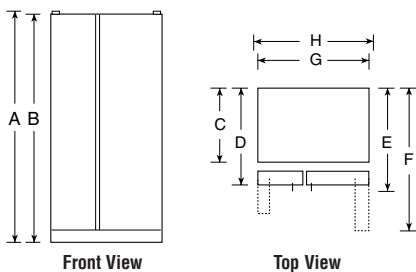
<b>Side-by-Side Refrigerators</b>	<b>HSM25GFR</b>	<b>HSS25GFP</b>
<b>Capacity</b>		
Total (cu. ft.)	25.0	25.0
Fresh food (cu. ft.)	15.44	15.44
Freezer (cu. ft.)	9.56	9.56
Shelf area (sq. ft.)	22.4	22.4
<b>Fresh Food Features</b>		
Upfront electronic dial temperature controls	●	●
Electronic sensors	●	●
GE SmartWater™ Filter	●	●
LightTouch! dispenser	Crushed ice, Cubes, Water	Crushed ice, Cubes, Water
Light	●	●
Cabinet shelves (adjustable)	3 Glass	3 Glass
Vegetable/fruit crisper	2 Clear	2 Clear
Door shelves	4 (2 adj. w/gallon storage)	4 (2 adj. w/gallon storage)
Dairy compartment	Opaque	Opaque
Quiet Package	Deluxe	Deluxe
NeverClean™ condenser	●	●
<b>Freezer Features</b>		
FrostGuard™ technology	●	●
Factory-installed icemaker & bin	●	●
Wire cabinet shelves	3 (2 adj.)	3 (2 adj.)
Storage bin	●	●
Door shelves	5 Fixed	5 Fixed
Interior light	●	●
<b>Appearance</b>		
Color(s) available*	Silver Metallic	WW
Deluxe door handles	Black	Color-Matched short
Textured steel door and case	Case only	●
Adjustable rollers	Front	Front
<b>Weights &amp; Dimensions</b>		
Height to top of hinge (in.) A	69-3/4	69-3/4
Height to top of case (in.) B	68-3/4	68-3/4
Case depth without door (in.) C	28	28
Case depth less door handle (in.) D	31-1/4	31-1/4
Case depth with door handle (in.) E	33-9/16	33-9/16
Depth with fresh food door open 90° (in.) F	49-3/8	49-3/8
Width (in.) G	35-3/4	35-3/4
Width w/door open 90° w/door handle (in.) H	38-3/16	38-3/16
Air clearances Each side (in.)	1/8	1/8
Top (in.)	1	1
Back (in.)	1	1
Approx. shipping weight (lbs.)	344	344

\*Color(s) available: WW = White on white.  
 Add 9/16" for water hook-up. Hook-up fits in 5/8" back air clearance when calculating installation depth.  
 If installed against a wall, allow clearance of 12-1/8" on 25 cu. ft. models on freezer side to remove bin.  
 To remove fresh food pans, remove door bins.  
 Clearances required to remove fresh food full-size pan without disassembling: 15" on 25 cu. ft.  
 Allow additional space for any necessary leveling adjustments.  
**ALL MODELS AVAILABLE IN U.S. AND CANADA.**

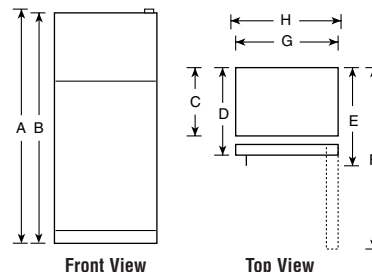
<b>Top-Freezer Refrigerators</b>	<b>HTS22GBP</b>	<b>HTM18IBP</b>	<b>HTS18GBS</b>	<b>HTS18CCS</b> <b>HTS18CBS</b>
<b>Capacity</b>				
Total (cu. ft.)	21.8	17.9	18.2	18.2
Fresh food (cu. ft.)	15.47	12.89	13.89	13.89
Freezer (cu. ft.)	6.37	5.03	4.27	4.27
Shelf area (sq. ft.)	24.7	22.6	21.7	18.9 / 19.8
<b>Features</b>				
Upfront temperature controls	Illuminated	Illuminated	●	●
Cabinet shelves (adjustable)	2 Glass	3 Glass	2 Glass	2 Wire
Vegetable/fruit crisper(s)	2 Full-Width	1 Full-width, 2 Split	2 Full-Width	2 Full-Width
Snack pan	2 Clear	2 Clear	2 Clear	2 Opaque
Fixed door bins	●	●	●	●
Fixed door shelves	2 full-width (1 with gallon storage)	2 full-width with gallon storage		
Dairy compartment	1 split with gallon storage	1 split with gallon storage	3 full-width (2 with gallon storage)	3 full-width (2 with gallon storage)
Interior light system	●	●	●	●
Quiet Package—Quiet Design	Dual	Dual	Single	Single
NeverClean condenser	Deluxe	Deluxe	Deluxe	Deluxe
ENERGY STAR®	●	●	●	●
<b>Freezer Features</b>				
Factory-installed icemaker	Opt. (IM4A)	Opt. (IM4A)	Opt. (IM4A)	● / Opt. (IM4A)
Ice 'N Easy trays	2	2	2	— / 2
Ice storage bin				Ice Bucket / —
Ice shelf				— / ●
Spillproof freezer floor	●	●		
Wire freezer compartment shelves	1 FW (2 pos.)	Step	Step	
Fixed door shelves	2	2	2	2
<b>Appearance</b>				
Color(s) available*	WW, CC	Silver Metallic	WW	WW, CC
Door handle(s)*	CM	Black	CM	CM
Customer installed handles				
Exterior design	Rounded Doors	Rounded Doors	Square Doors	Square Doors
Reversible doors	●	●	●	●
Choose right or left door opening				●
Adjustable rollers	Front	Front	Front	Front
<b>Weights &amp; Dimensions</b>				
Height to top of hinge (in.) A	67-1/2	66-5/8	67-3/8	67-3/8
Height to top of case (in.) B	66-7/8	66-1/8	66-7/8	66-7/8
Height to mid-freezer (in.)	54-1/2	53-15/16	57	57
Case depth without door (in.) C	27-5/8	27-1/2	26-3/4	26-3/4
Case depth less door handle (in.) D	31-5/8	30-1/4	30-1/2	30-1/2
Case depth with door handle (in.) E	33-5/8	32-1/8	32-3/8	32-3/8
Depth w/fresh food door open 90° (in.) F	63	58-1/8	56-3/8	56-3/8
Width (in.) G	32-7/8	29-1/2	28	28
Width w/door open 90° with door handle (in.) H	35	32	30-3/4	30-3/4
Air clearances Each side (in.)	1/8	1/8	3/4	3/4
Top (in.)	1	1	1	1
Back (in.)	1	1	1	1
Approx. shipping weight (lbs.)	260	214	226	183 / 177

\*Color(s) available: WW = White on white, CC = Bisque on bisque, CM = Color-Matched.  
**ALL MODELS AVAILABLE IN U.S. AND CANADA.**

## Side-By-Side Refrigerators



## Top-Freezer No-Frost Refrigerator



# Refrigeration Specifications

HTS18BCP HTS18BBP	HTS17HBS	HTS17GBS	HTM17BBS	HTS17BCS HTS17BBS	HTR17BBS	HTR16BBS	HTH16BBS	HTS16BBS	HTR16ABS	GTS12BBP	GTR11AAP
18.0	16.6	16.6	16.6	16.6	16.6	15.7	15.7	15.7	15.6	11.9	11.4
12.93	12.54	12.54	12.54	12.54	12.54	11.57	11.44	11.57	11.53	8.94	8.45
5.09	4.10	4.10	4.10	4.10	4.10	4.10	4.10	4.10	4.10	2.95	2.99
20.8	23.8	21.0	19.2	18.3 / 19.2	19.2	19.2	19.2	19.2	18.2	12.1	13.4
●	●	●	●	●	●	●	●	●	●	●	●
2 Wire	3 Glass	2 Glass	2 Wire	2 Wire	2 Wire	2 Wire	2 Wire	2 Wire	2 Wire	2 Wire	2 Wire
2 Full-Width	1 Full-width, 2 Split	2 Full-Width	2 Full-Width	2 Full-Width	2 Full-Width	2 Full-Width	2 Full-Width	2 Full-Width	2 Full-Width	2 Full-Width	2 Full-Width
2 Opaque	2 Clear	2 Clear	2 Opaque	2 Opaque	2 Opaque	2 Opaque	2 Opaque	2 Opaque	1 FW Opaque	1 FW Divided Opaq.	1 FW Opaque
●	●	●	●	●	●	●	●	●	●	●	●
3 (2 with gallon storage)	2 full-width with gallon storage	2 full-width with gallon storage	2 full-width with gallon storage	2 full-width with gallon storage	2 full-width with gallon storage	2 full-width with gallon storage	2 full-width with gallon storage	2 full-width with gallon storage	2 full-width with gallon storage	2 Full-Width, 1 Split	4
●	●	●	●	●	●	●	●	●	●	●	●
Single	Single	Single	Single	Single	Single	Single	Single	Single	Single	Single	Single
Deluxe	Deluxe	Deluxe	Deluxe	Deluxe	Deluxe	Deluxe	Deluxe	Deluxe	Deluxe	Standard	Standard
●	●	●	●	●	●	●	●	●	●	●	●
● / Opt. (IM4A)	Opt. (IM4A)	Opt. (IM4A)	Opt. (IM4A)	● / Opt. (IM4A)	Opt. (IM4A)	Opt. (IM4A)	Opt. (IM4A)	Opt. (IM4A)	Opt. (IM4A)	Opt. (IM4A)	Opt. (IM4A)
— / 2	2	2	2	— / 2	2	2	2	2	1	1	2
Ice Bucket / —				Ice Bucket / —							
●			●	— / ●	●	●	●	●			
Step	Step	Step									1 FW
2	2	2	2	2	2	2	2	2	2	2	2
WW / WW, CC	WW, CC	WW	Silver Metallic	WW / WW, CC	WW, CC	WW, CC	WW, CC	WW, CC	WW, CC	WW, CC	WW
CM	CM	CM	Black	CM	CM Recessed	CM Recessed	CM	CM	CM Recessed	CM	CM Recessed
●	●	●	●	●	●	●	●	●	●	●	●
Rounded Doors	Square Doors	Square Doors	Square Doors	Square Doors	Square Doors	Square Doors	Square Doors	Square Doors	Square Doors	Rounded Doors	Rounded Doors
●	●	●	●	●	●	●	●	●	●	●	●
●	●	●	●	●	●	●	●	●	●	●	●
Front	Front	Front	Front	Front	Front	Front	Front	Front	Front	Front	Front
66-5/8	64-3/4	64-3/4	64-3/4	64-3/4	64-3/4	61-3/4	61-3/4	61-3/4	61-3/4	60-1/2	57-7/8
66-1/8	64-1/4	64-1/4	64-1/4	64-1/4	64-1/4	61-1/4	61-1/4	61-1/4	61-1/4	60	57-3/8
53-15/16	54-3/8	54-3/8	54-3/8	54-3/8	54-3/8	51-3/8	51-3/8	51-3/8	51-3/8	52	50
27-1/2	25-7/8	25-7/8	25-7/8	25-7/8	25-7/8	25-7/8	25-7/8	25-7/8	25-7/8	27-3/4	28-1/4
30-1/4	29-1/8	29-1/8	29-1/8	29-1/8	29-1/8	29-1/8	29-1/8	29-1/8	29-1/8	30-5/8	30-5/8
32-1/8	31	31	31	31	29-1/8	29-1/8	31	31	29-1/8	32-3/8	30-5/8
58-1/8	54-7/8	54-7/8	54-7/8	54-7/8	54-7/8	54-7/8	54-7/8	54-7/8	54-7/8	51-5/8	52-3/4
29-1/2	28	28	28	28	28	28	28	28	28	23-3/8	23-7/8
32	30-1/2	30-1/2	30-1/2	30-1/2	28-5/8	28-5/8	30-1/2	30-1/2	28-5/8	26-1/2	25-1/8
1/8	3/4	3/4	3/4	3/4	3/4	3/4	3/4	3/4	3/4	1	1
1	1	1	1	1	1	1	1	1	1	4	4
1	1	1	1	1	1	1	1	1	1	2	3
223	183	183	169	175 / 169	169	165	166	166	163	170	163

**Note: All Top-Freezer No-Frost Right-Hand Refrigerator Doors:** As you face the front of the refrigerator, the handle is on your left and the hinges are on your right.

**All Top-Freezer No-Frost Left-Hand Refrigerator Doors:** As you face the front of the refrigerator, the handle is on your right and the hinges are on your left.

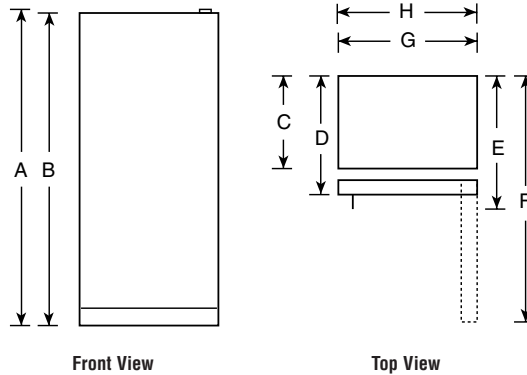


Listed by  
Underwriters  
Laboratories, Inc.

# Refrigeration Specifications

<b>GE® Manual Defrost Refrigerator</b>	<b>GMS10AAR</b>
<b>Capacity</b>	
Total (cu. ft.)	9.7
Fresh food (cu. ft.)	8.74
Freezer (cu. ft.)	.97*
Shelf area (sq. ft.)	9.88
<b>Features</b>	
Ice 'N Easy trays	2
Freezer chiller tray with baffle	●
Cabinet shelves	2 Adj.
Vegetable/fruit crisper	1 F/W
Door shelves	5 (2 Egg)
Tall bottle storage on door	●
Dairy compartment(s)	1
Egg storage bin	Pockets
Freezer compartment shelf(s)	1 F/W
<b>Economical/Quiet</b>	
Cabinet/door insulation	Foam
Cabinet/door liner	Plastic
<b>Appearance</b>	
Color(s) available	White
Door handle(s)	White
Right or left door opening	●
<b>Weights &amp; Dimensions</b>	
Height to top of hinge (in.) A	58
Height to top of case (in.) B	57-9/16
Case depth without door (in.) C	21-3/8
Case depth with door less handle (in.) D	23-1/2
Case depth with door handle (in.) E	24-13/16
Depth with door open 90° less door handle (in.) F	44-13/16
Width (in.) G	23
Width w/door open 90° less door handle (in.) H	23-1/2
Air clearances Each side (in.)	5/8
Top (in.)	2
Back (in.)	1
Approx. shipping weight (lbs.)	135

## Manual Defrost Single Door Refrigerator

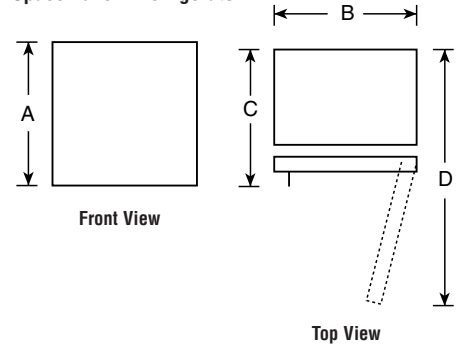


Listed by Underwriters Laboratories, Inc.

\* Compartment for short-term storage of frozen food. The frozen food compartment of this refrigerator will make ice, and pre-frozen foods can be stored for about **two weeks**. It will not effectively freeze fresh foods or provide long-term storage for meats, poultry, or fish.

<b>GE Spacemaker® Compact Refrigerators</b>	<b>GMR06AAP</b>	<b>GMR04HAS</b>	<b>GMR04AAM</b>	<b>GMR02BAN</b>
<b>Capacity</b>				
Total (cu. ft.)	6.0	4.3	4.4	1.7
Fresh food (cu. ft.)	5.51	3.89	3.99	1.49
Freezer (cu. ft.)	.49*	.42**	.39*	.16*
Shelf area (sq. ft.)	8.8	5.6	5.6	2.9
<b>Features</b>				
Ice 'N Easy trays	2 Mini	1 Mini	1 Mini	1 Mini
Manual defrost	●	●	●	●
Cabinet shelves	2 Wire (1 Adj.)	2 F/W, 1 Half-width glass	2 F/W, 1 Half-width wire	1 Wire
Can rack	●	●	●	●
Door shelves	1 F/W, 2 Half-width	1 F/W, 2 Half-width	2 F/W, 1 Half-width wire	1 F/W, 1 Half-width
Interior light	●	●	●	●
<b>Economical/Quiet</b>				
Cabinet/door insulation	Foam	Polystyrene	Polystyrene	Foam
Cabinet/door liner	HIPS	ABS	ABS	ABS
<b>Appearance</b>				
Color(s) available	White, Black	Stainless Steel	White, Black	White, Black
Door handles	White or Black Visor	Black Recessed	Color-Matched Recessed	Color-Matched Recessed
Rounded doors	●	●	●	●
Reversible doors	●	●	●	●
<b>Weights &amp; Dimensions</b>				
Height (in.) A	34-1/8	32-3/4	32-7/8	19-1/2
Width (in.) B	23-5/8	20-1/2	20	17-3/8
Depth with handle (in.) C	24-1/4	21	21-3/4	19
Depth with door open 90° (in.) D	45-1/2	39-7/8	40-1/8	34-3/4
Air clearances Each side (in.)	0†	1/2	1/2	1/2
Top (in.)	0	2	2	2
Back (in.)	0	2	2	2
Approx. shipping weight (lbs.)	88	79	77	51
<b>Accessories</b>				
Custom trim (optional)	TPK6* *-Black only			

## Spacemaker™ Refrigerator



**Note: Right-hand Refrigerator Door:** As you face the front of the refrigerator, the handle is on your left and the hinges are on your right.

**Left-hand Refrigerator Door:** As you face the front of the refrigerator, the handle is on your right and the hinges are on your left.

\* Compartment for short-term storage of frozen food. The frozen food compartment of this refrigerator will make ice, and pre-frozen foods can be stored for about **two weeks**. It will not effectively freeze fresh foods or provide long-term storage for meats, poultry, or fish.

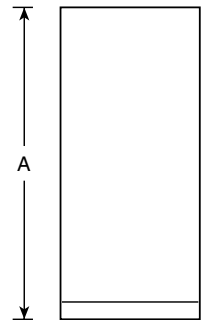
\*\*Do not substitute TNKG for this kit. Not compatible.

†If installed against a wall, allow 1-1/4" on hinge side to allow for proper door opening.

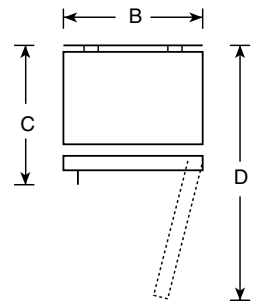
# Freezer Specifications

GE Upright Freezers	Frost-Free			Manual Defrost				
	FUF20DP	FUF17DP	FUF14DP	FUM21DR	FUM17DR	FUM14DR	FUM14SR	FUM5SN
<b>Capacity</b>								
Total volume (cu. ft.)	20.3	16.7	13.7	20.6	17.1	14.1	14.1	5.0
Shelf area (sq. ft.)	23.9	18.4	14.3	25.3	19.2	17.9	15.0	6.0
<b>Features</b>								
Temperature control	Adjustable	Adjustable	Adjustable	Adjustable	Adjustable	Adjustable	Adjustable	Adjustable
Limited food loss warranty	●	●	●	●	●	●	●	●
Door shelves (total)	6	5	5	6	5	5	5	3
Defrost water drain	●	●	●	●	●	●	●	●
Interior light	●	●	●	●	●	●	●	●
Lock	●	●	●	●	●	●	●	●
Cabinet shelves (total)	5 (3 Adj.)	4 (3 Adj.)	3 (2 Adj.)	5 (1 Adj.)	4 (1 Adj.)	4 (1 Adj.)	3	2
Slide-out bulk storage basket	1	1	1	1	1	1		
<b>Economical/Quiet</b>								
Defrost	Frost-Free	Frost-Free	Frost-Free	Manual	Manual	Manual	Manual	Manual
Magnetic door gasket	●	●	●	●	●	●	●	●
Cabinet liner	Baked enamel-on-steel	Baked enamel-on-steel	Baked enamel-on-steel	Baked enamel-on-steel	Baked enamel-on-steel	Baked enamel-on-steel	Baked enamel-on-steel	Baked enamel-on-Polystyrene
Wrap-around condenser	●	●	●	●	●	●	●	●
<b>Appearance</b>								
Color available	White	White	White	White	White	White	White	White
Door handle	Recessed	Recessed	Recessed	Recessed	Recessed	Recessed	Recessed	Recessed
Textured steel case/door	●	●	●	●	●	●	●	●
<b>Weights &amp; Dimensions</b>								
Height (in.) A	70	64-1/2	59	70	64-1/2	59	59	33-1/2
Width (in.) B	32	32	28	32	32	28	28	21-3/8
Depth (in.) C	28-1/2	26-1/2	28-1/2	28-1/2	26-1/2	28-1/2	28-1/2	26-1/8
Depth with door open 90° (in.) D	59-1/8	57-1/8	55-1/8	59-1/8	57-1/8	55-1/8	55-1/8	45-3/4
Air clearances Each side (in.)	3	3	3	3	3	3	3	1
Clearances Top (in.)	3	3	3	3	3	3	3	4
Back (in.)	3	3	3	3	3	3	3	4
Approx. shipping weight (lbs.)	235	213	186	224	200	177	177	80

Upright Freezers



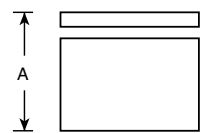
Front View



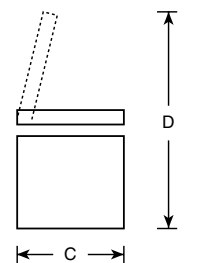
Top View

GE Chest Freezers	FCM25RM	FCM20DP	FCM15DP	FCM15SP	FCM9DM	FCM7DN	FCM5DM	FCM5SM
<b>Capacity</b>								
Total volume (cu. ft.)	25.1	19.7	14.8	14.8	8.8	7.0	5.0	5.0
<b>Features</b>								
Manual defrost	●	●	●	●	●	●	●	●
Temperature control	Adjustable	Adjustable	Adjustable	Adjustable	Adjustable	Adjustable	Adjustable	Adjustable
Power "ON" light	●	●	●	●	●	●	●	●
Wrap-around condenser	●	●	●	●	●	●	●	●
Wrap-around evaporator	●	●	●	●	●	●	●	●
Limited food loss warranty	●	●	●	●	●	●	●	●
Defrost water drain	●	●	●	●	●	●	●	●
Interior light	●	●	●	●	●	●	●	●
Lock	●	●	●	●	●	●	●	●
Lift-out and sliding bulk storage basket(s)	4	3	2	1	2	2	2	1
Fast Freeze	●	●	●	●	●	●	●	●
<b>Economical/Quiet</b>								
Insulation (cabinet and lid)-Foam	●	●	●	●	●	●	●	●
Cabinet liner	Steel Epoxy-Coated	Steel Epoxy-Coated	Steel Epoxy-Coated	Steel Epoxy-Coated	Steel Epoxy-Coated	Textured Aluminum	Textured Aluminum	Textured Aluminum
<b>Appearance</b>								
Color available	White	White	White	White	White	White	White	White
Handle	●	Recessed	Recessed	Recessed	Recessed	Recessed	Recessed	Recessed
Textured steel case and lid	●	●	●	●	●	●	●	●
<b>Weights &amp; Dimensions</b>								
Height (in.) A	35	35	35	35	34-1/4	33-1/8	33	33
Width (in.) B	73-7/8	61-1/4	48	48	41	38	29-1/8	29-1/8
Depth (in.) C	28-3/4	29-1/2	29-1/2	29-1/2	23-1/4	22-3/8	22-3/16	22-3/16
Height with lid open (in.) D	59-3/4	60-3/4	60-3/4	60-3/4	54-1/4	53-1/4	53-3/16	53-3/16
Air clearances Each side (in.)	3	3	3	3	3	3	3	3
Back (in.)	3	3	3	3	3	3	3	3
Approx. shipping weight (lbs.)	245	195	161	161	127	126	101	101

Chest Freezers



Front View



Side View

# Smooth Top Ranges

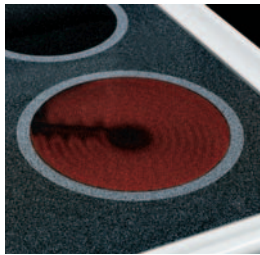
Hotpoint® free-standing smooth top ranges provide quick cooking response. The fast, ribbon heating elements are positioned beneath the smooth cooktop and direct heat straight up to the pan. This sophisticated cooking method provides even heat for uniform cooking. Electronic oven controls provide an easy, two-step self-clean oven operation.



**5.0 cu. ft. capacity**  
Hotpoint's smooth top ranges have an oven that is big enough to handle just about any cooking need.



**Two-step self-clean**  
Simply latch the oven door and push the "Self-Clean" button. The oven does the rest.



**Ribbon heating elements**  
Unlike conventional elements, the heat comes from brightly glowing ribbon elements positioned beneath the smooth fingerprint-and scratch-resistant, patterned ceramic-glass surface.



**Touchpad controls**  
Set your oven to bake, broil, or self-clean quickly and easily—with the touch of a button.



**Frameless glass oven door**  
The full-width frameless door is easy to clean and offers contemporary styling.



**Warming drawer**  
Provides variable temperature control for keeping foods warm.



**Electronic oven controls**  
Easy-to-use electronic oven controls provide:

- Simple touchpad oven operation
- Auto Self-Clean
- Self-clean cycling light
- Preheated oven light with audible preheat signal
- Auto oven shut-off
- Electronic clock and timer
- Automatic oven timer
- Oven "ON" light
- Delay Bake option.



RB800SJ

**Silver metallic exterior**  
Unique finish complements any kitchen décor, countertop and cabinetry regardless of their color or finish.



Hotpoint free-standing coil ranges are perfect solutions for today's busy schedules! Self-clean ovens save you time and effort. On ranges with one-piece, upswept cooktops, a simple wipe-up does the job. White on white models are designed to complement the elegance and efficiency of today's kitchens.



**5.0 cu. ft. capacity**  
Hotpoint's coil ranges have an oven that is big enough to handle just about any cooking possibility.



**One-piece upswept cooktop**  
No cracks or crevices to trap dirt! The porcelain enamel-on-steel surface wipes clean easily.



**Lift-up cooktop**  
Cooktop lifts up to allow easy clean-up of hard-to-reach spots underneath.



**Plug-in surface elements**  
Unplug to remove drip bowls and clean in the dishwasher. Recessed areas are designed to catch spillovers and make cleaning simple.



**Two-step self-clean**  
Simply latch the oven door and push the "Self-Clean" button. The oven does the rest.



**Frameless glass oven door**  
The full-width frameless door is easy to clean and offers contemporary styling.

**Calrod® surface elements**  
The design of the removable Calrod surface elements assures fast, clean cooking and even heat distribution.

**Removable full-width storage drawer**  
Conveniently store cooking utensils close at hand. Drawer removes easily for cleaning underneath.



**Electronic oven controls**  
Easy-to-use electronic oven controls provide:

- Simple touchpad oven operation
- Auto Self-Clean
- Self-clean cycling light
- Preheated oven light with audible preheat signal
- Auto oven shut-off
- Electronic clock and timer
- Automatic oven timer
- Oven "ON" light
- Delay Bake option.

Not all features available on all models.

## 30" Electric Ranges

### 30" Free-Standing Electric Ranges

**These models** feature 5.0 cu. ft. capacity self-clean ovens; electronic clock and minute timer; two oven shelves; broiler pan; lift-off oven door; interior oven light; infinite heat controls.

#### **RB800SJ**

- Silver metallic exterior
- Ceramic glass cooktop
- Ribbon heating elements
- Super-large, self-clean oven
- Warming drawer
- Big view window
- Two oven racks
- Audible preheat signal

#### **RB800WJ**

- White on white
- Ceramic glass cooktop
- Ribbon heating elements
- Super-large, self-clean oven
- Warming drawer
- Big view window
- Two oven racks
- Audible preheat signal

#### **RB800CJ** (not shown)

- Bisque on bisque
- Same features and appearance as RB800WJ.

#### **RB800BJ** (not shown)

- Black on black
- Same features and appearance as RB800WJ.

#### **RB790SH**

- Silver metallic exterior
- Ceramic glass cooktop
- Two 8" and two 6" ribbon heating elements
- Big view window
- One-piece upswept cooktop
- EasySet III oven controls

#### **RB787BH**

- Black on black
- Smooth, easy-to-clean fingerprint- and scratch-resistant patterned ceramic-glass cooktop
- Two 8" and two 6" ribbon heating elements
- Hot surface indicator lights
- Auto oven shut-off
- Two-step self-clean
- Single oven control knob
- Frameless glass oven door with window
- Designer-style handle

#### **RB787WH**

- White on white
- Same features and appearance as RB787BH.

#### **RB787CH** (not shown)

- Bisque on bisque
- Same features and appearance as RB787BH.



**RB800SJ**  
*Ribbon Range*



**RB800WJ**  
*Ribbon Range*



**RB790SH**  
*Ribbon Range*



**RB787BH**  
*Ribbon Range*



**RB787WH**  
*Ribbon Range*

Complete features and specifications on page 32.

## 30" Electric Ranges

### 30" Free-Standing Electric Ranges

**These models** feature 5.0 cu. ft. capacity self-clean ovens; electronic clock and minute timer; two oven shelves; broiler pan; lift-off oven door; interior oven light; infinite heat controls; removable, full-width storage drawer.

#### **RB757WH**

- White on white
- Porcelain-enameled upswept cooktop
- Auto oven shut-off
- Two-step self-clean
- Two 8" and two 6" plug-in Calrod® heating elements with removable one-piece chrome drip bowls
- Lift-up cooktop
- Frameless glass oven door with window
- Designer-style handle

#### **RB757CH** (not shown)

- Bisque on bisque
- Same features and appearance as RB757WH.

#### **RB757EH**

- Black on black
- Same features and appearance as RB757WH.

#### **RB757BH**

- White or Bisque
- Same features and appearance as RB757WH, except has black door and control panel.

#### **RB740BH**

- White or Bisque
- Porcelain-enameled upswept cooktop
- Two 8" and two 6" plug-in Calrod® heating elements with removable one-piece chrome drip bowls
- Lift-up cooktop
- Frameless glass oven door
- Designer-style handle



**RB757WH**  
*Self-Clean Oven*



**RB757EH**  
*Self-Clean Oven*



**RB757BH**  
*Self-Clean Oven*



#### **Electronic oven controls**

Easy-to-use electronic oven controls provide:

- Simple touch pad oven operation
- Auto Self-Clean
- Self-clean cycling light
- Preheated oven light with audible preheat signal
- Auto oven shut-off
- Electronic clock and timer
- Automatic oven timer
- Oven "ON" light
- Delay Bake option.



**RB740BH**  
*Self-Clean Oven*

## 30" Electric Ranges

### 30" Free-Standing Electric Ranges

**These models** feature standard-clean ovens, easy-to-clean, upswept, porcelain-enameled cooktop; 5.0 cu. ft. capacity; two oven shelves; plug-in Calrod® heating elements; one-piece removable drip bowls; full-width removable storage drawer and broiler pan with grid.

#### **RB540SH**

- Silver metallic exterior
- Two 8" and two 6" plug-in Calrod® heating elements
- Big view window
- Porcelain-enameled upswept cooktop
- Black drip bowls

#### **RB536WH**

- White on white
- Electronic clock/timer
- Lift-up cooktop
- Two 8" and two 6" plug-in heating elements
- Frameless glass oven door with window
- Designer-style handle

#### **RB536CH** (not shown)

- Bisque on bisque
- Same features and appearance as RB536WH.

#### **RB526H**

- White on white or Bisque on bisque
- Two 8" and two 6" plug-in heating elements
- Color-matched oven door with window
- Designer-style handle
- Electronic clock/timer

#### **RB525BH**

- White or Bisque
- One 8" and three 6" plug-in heating elements
- Frameless solid black glass oven door
- Chrome visor door handle

#### **RB525H** (not shown)

- White or Bisque
- Same features and appearance as RB525BH, except has color-matched painted oven door.



**RB540SH**



**RB536WH**

## Electric Ranges



RB526H

### 24" Compact Electric Range



RA524W

#### RA524W

- White
- Standard-clean oven
- One 8" and three 6" plug-in heating elements with chrome drip bowls
- Push-to-turn controls
- Lift-up cooktop with porcelain-enameled subtop
- Two heating element "ON" indicator lights
- 2 oven shelves
- Oven cycling light
- Broiler pan with grid



RB525BH

### 20" Compact Electric Range



RA520W

#### RA520W

- White or Bisque
- Standard-clean oven
- One 8" and three 6" plug-in heating elements with chrome drip bowls
- Lift-up cooktop with porcelain-enameled subtop
- Two heating element "ON" indicator lights
- 2 oven shelves
- Oven cycling light
- Broiler pan with grid

# Electric Range Specifications

30" electric ranges	RB800SJ RB800WJ RB800CJ RB800BJ	RB790SH	RB787WH RB787CH RB787BH	RB757WH RB757CH RB757EH RB757BH	RB740BH	RB540SH	RB536WH RB536CH	RB526H	RB525BH	RB525H
	<b>Features</b>									
Self-clean oven	●	●	●	●	●					
Oven capacity	5.0	5.0	5.0	5.0	5.0	5.0	5.0	5.0	5.0	5.0
Cleaning time	Variable	Variable	Variable	Variable	Variable					
Standard-clean oven						●	●	●	●	●
Oven shelves	2	2	2	2	2	2	2	2	2	2
Porcelain-enameled upswept cooktop	Radiant	Radiant	Radiant	Coil	Coil	Coil	Coil	Coil	Coil	Coil
Patterned cooktop	●	●	●							
Lift-up cooktop				●	●	●	●	●	●	●
8-inch heating elements	2 (2000W)	2 (2000W)	2 (2000W)	2	2	2	2	2	1	1
6-inch heating elements	2 (1500W)	2 (1500W)	2 (1500W)	2	2	2	2	2	3	3
Ribbon heating elements	●	●	●							
Plug-in Calrod® heating elements				●	●	●	●	●	●	●
Removable one-piece drip bowls				Chrome	Chrome	Black	Chrome	Chrome	Chrome	Chrome
Electronic oven control	Easy Set III	Easy Set III	Easy Set III	Easy Set III	Easy Set III					
Electronic clock and minute timer	●	●	●	●	●	●	●	●		
Electronic automatic oven timer	●	●	●	●	●					
Oven temperature display	●	●	●	●	●					
Auto oven shut-off	w/override	w/override	w/override	w/override	w/override					
Audible preheat signal	●	●	●	●	●					
Hot surface indicator lights	●	●	●	●	●					
Heating element "ON" indicator lights	●	●	●	●	●	●	●	●	●	●
Oven cycling light	●	●	●	●	●	●	●	●	●	●
Interior oven light	Control	Control	Control	Control	Control	Switch	Switch	Switch		
Self-clean cool down time display	●	●	●	●	●					
Auto self-clean	●	●	●	●	●					
Delay Clean option	●	●	●	●	●					
Delay start	●	●	●	●	●					
Broiler pan	●	●	●	●	●	●	●	●	●	●
Warming drawer with handle	●									
<b>Appearance</b>										
Color appearance*	SA WW CC BB	SA	WW CC BB	WW CC BB WH/CT	WH/CT	SA	WW CC	WW/CC	WH/CT	WH/CT
Oven door with window	Big view	Big view	●	●		Big view	●	●		
Door handle	Designer-Style	Designer-Style	Designer-Style	Designer-Style	Designer-Style	Designer-Style	Designer-Style	Designer-Style	Visor	Visor
Lift-off oven door	Silver Metallic White Bisque Black	Silver Metallic	White Glass Bisque Glass Black Glass	White Glass Bisque Glass Black Glass Black Glass	Black Glass	Silver Metallic	White Glass Bisque Glass	CM*	Black Glass	CM*
Full-width removable storage drawer	●	●	●	●	●	●	●	●	●	●
<b>Weights and Dimensions</b>										
Overall oven interior dimensions (W x H x D in inches)	← 23-3/4 x 19 x 18-1/2 →									
KW rating @ 240V	10.5	10.5	10.5	11.7	11.7	12.6	12.6	11.0	10.1	10.1
@ 208V	7.9	7.9	7.9	8.8	8.8	9.9	9.9	8.7	8.0	8.0
Amp rating @ 240v/208v	40	40	40	40	40	40	40	40	40	40
Approx. shipping weight (lbs.)	166	166	166	155	170	158	158	150	150	155

\*SA=Silver Metallic, WW=White with white door, CC=Bisque with bisque door, BB=Black with black door, WH=White with black door, CT=Bisque with black door, CM=Oven door is color-matched to cooktop and drawer front (either White or Bisque).

## 30" free-standing range installation information (in inches)

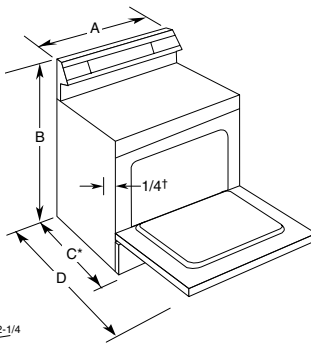
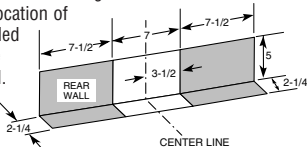
\*Dimensions from wall to front of closed oven door handle:  
28-1/2" on models RB800/790/787/757/740/540/536; 28-3/8" on RB526H and RB525BH; 28" on RB525H

†The range may be placed with a 0" clearance (flush) at the back wall and side walls if the range side trims extend beyond the cabinet fronts at least 1/4". Self-Clean models only.

## Receptacle locations

Locally approved flexible service cord or conduit must be used because terminals are not accessible after range installation.

See shaded area in drawing for location of electrical outlet box. Recommended outlet locations allow range to be installed directly against rear wall.



## 30" electric range dimensions (in inches)

Models	A Width	B Height	C* Depth	D Depth with door open
RB800SJ/WJ/CJ/BJ	29-7/8	46-1/2	26-3/8	46-3/8
RB790SH	29-7/8	46-1/2	26-3/8	46-3/8
RB787WH/CH/BH	29-7/8	46-1/2	26-3/8	46-3/8
RB757WH/EH/CH/BH	29-7/8	46-1/2	26-3/8	46-3/8
RB740BH	29-7/8	46-1/2	26-3/8	46-3/8
RB540SH	29-7/8	46-1/2	26-3/8	46-3/8
RB536WH/CH	29-7/8	46-1/2	26-3/8	46-3/8
RB526H	29-7/8	46-1/2	26-3/8	46-3/8
RB525BH	29-7/8	46-1/2	26-3/8	46-3/8
RB525H	29-7/8	46-1/2	26-3/8	46-3/8

\*Dimensions from wall to front of closed oven door.

**Note:** 30" Electric Ranges conform to U.L. requirements for 0" spacing from walls below countertops. Allow 1-1/2" spacing from the side of the range to adjacent vertical walls above the cooktop surface.

**Installation information:** Before installing, consult installation instructions packed with product for current dimensional data.

**FULL ONE-YEAR WARRANTY** One year from date of original purchase, we will provide free of charge, parts and service labor in your home to repair or replace any part of the appliance that fails because of a manufacturing defect. Complete details from your dealer.



All Hotpoint ranges are equipped with an Anti-Tip device. The installation of this device is an important, required step in the installation of the range.

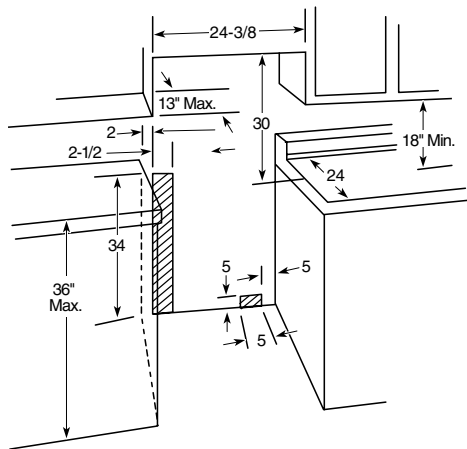
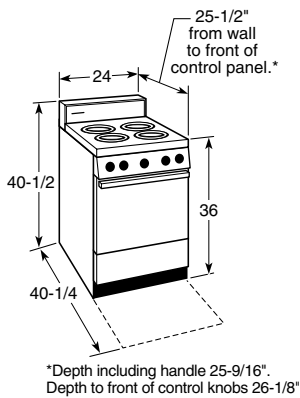


# Electric Range Specifications

<b>24" and 20" electric ranges</b>	<b>24" range RA524W</b>	<b>20" range RA520W</b>
<b>Features</b>		
Oven cleaning	Standard	Standard
Oven shelves	2	2
Recessed lift-up cooktop	●	●
Porcelain-enameled subtop	●	●
8-inch heating elements	1 Plug-in	1 Plug-in
6-inch heating elements	3 Plug-in	3 Plug-in
Removable drip bowls	Chrome	Chrome
Push-to-turn controls	●	●
Heating element "ON" indicator light	2	2
Oven cycling light	●	●
Broiler pan with grid	●	●
<b>Appearance</b>		
Color appearance*	WH	WH/CT
Porcelain-enameled oven door	Solid CM*	Solid CM*
Four leveling legs	●	●
<b>Weights and Dimensions</b>		
Overall oven interior dimensions (W x H x D in inches)	19 x 14 x 19	16 x 15 x 19
KW rating @ 240V	8.2	8.2
@ 208V	6.2	6.2
Approx. ship. wt. (lbs.)	145	120

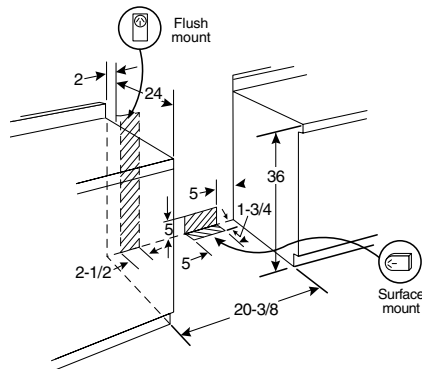
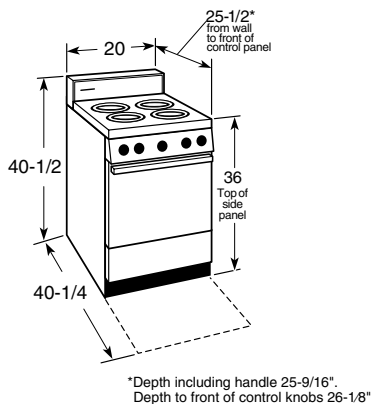
\*WH=White with color-matched door, CT=Bisque with color-matched door, CM=Oven door is color-matched to cooktop and drawer front.

## 24" free-standing range dimensions and installation information (in inches)



**Note:** 24" Ranges conform to U.L. requirements for 0" spacing from range to adjacent walls below countertop.

## 20" free-standing range dimensions and installation information (in inches)



**Note:** Compact 20" Electric Ranges conform to U.L. requirements for 0" spacing from range to adjacent walls below countertop.

### Receptacle locations

Locally approved flexible service cord or conduit must be used because terminals are not accessible after range installation. See shaded area in drawings for location of electrical outlet box. Recommended outlet locations allow range to be installed directly against rear wall.

**Installation information:** Before installing, consult installation instructions packed with product for current dimensional data.



Listed by  
Underwriters  
Laboratories



All Hotpoint ranges are equipped with an Anti-Tip device. The installation of this device is an important, required step in the installation of the range.

See page 75 for warranty information.

## Gas Ranges

Hotpoint Capacity Plus™ gas ranges feature an extra-large oven capacity and are available in self-clean or standard-clean ovens. Select models feature sealed burners that provide both simmer capability and high output, an extra-large broiler pan and grid, six embossed rack positions and porcelain-enamelled upswept cooktop.



### Sealed gas burners

Special burner design helps contain spills and boiling-over liquids from dripping beneath cooktop for easy clean-up.



### Simmer 600 burner

Offers true simmer capability with a low (600 BTU) setting. Provides low, even heat distribution for delicate foods and sauces.



### EasySet clock and oven timer

Easy-to-use electronic touch pad controls and delayed baking function make cooking simple.



### Performance Plus burner

Provides high output (12,000 BTU) for faster boiling and to heat foods quickly.



### Lift-up cooktop with easy-clean subtop

Standard burner models have a cooktop that lifts up for easy access to porcelain-enamelled subtop. Twin rod supports allow cooktop to lift and lock into place. Free from pipes or wires that interfere with clean-up.



### Capacity Plus™ gas ranges

Extra-large capacity with a sixth embossed rack position increases cooking flexibility.



### One-piece upswept cooktop

Free from cracks or crevices that trap dirt. The porcelain enamel-on-steel surface wipes clean easily.



RGB790SEH

### Silver metallic exterior

Unique finish complements any kitchen décor, countertop and cabinetry regardless of their color or finish.

Not all features available on all models.

## CAPACITY PLUS™ 30" Free-Standing Gas Ranges

These models feature more usable oven capacity than any other leading manufacturers' brand; a sixth embossed rack position; extra-large broiler pan; porcelain-enameled upswept cooktop; interior oven light and electronic pilotless ignition.

### RGB790SEH

(shown at left)

- Silver metallic exterior
- Extra-large, self-clean oven
- Sealed cooktop burners
- Simmer 600 burner
- Performance Plus burner
- All purpose burners

### RGB745WEH

- White on white
- Extra-large, self-clean oven
- Sealed cooktop burners
- Simmer 600 burner
- Performance Plus burner
- Heavy-steel grates
- In-oven broiling
- Frameless white glass oven door with window
- EasySet IV clock and oven timer
- Removable grey porcelain-enameled drip pans
- Removable storage drawer

### RGB745EEH (not shown)

- Black on black
- Same features and appearance as RGB745WEH.

### RGB745BEH

- White or Bisque
- Same features as RGB745WEH, except has black control panel and black glass oven door.

### RGB740BEH

- White or Bisque
- Similar to RGB745, except no oven window.

### RGB540SEH

- Silver metallic exterior
- Extra-large, standard-clean oven
- Sealed cooktop burners
- Simmer 600 burner
- Performance Plus burner
- All purpose burners



RGB745WEH  
CAPACITY PLUS™

RGB745BEH  
CAPACITY PLUS™



RGB740BEH  
CAPACITY PLUS™



RGB540SEH  
CAPACITY PLUS™

Complete features and specifications on page 38.

## 30" Gas Ranges

### *CAPACITY PLUS™ 30" Free-Standing Gas Ranges*

**These models** feature an extra-large standard oven; six embossed rack positions; twin cooktop burners and lift-up cooktop.

#### **RGB533WEH**

- White on white
- Extra-large standard-clean oven
- Sealed cooktop burners
- Simmer 600 burner
- Performance Plus burner
- Frameless glass oven door with window
- Electronic clock/timer

#### **RGB533CEH** (not shown)

- Bisque on bisque
- Same features and appearance as RGB533WEH

#### **RGB528PEH**

- White on white
- Extra-large standard-clean oven
- White porcelain-enameled oven door with window
- Electronic clock/timer
- Twin cooktop burners
- Lift-up cooktop

#### **RGB524PEH**

- White or Bisque
- Extra-large standard-clean oven
- Solid color-matched porcelain-enameled oven door
- Slide-out broiler drawer
- Electronic pilotless ignition

#### **RGB524PPH**

- White or Bisque
- Same features as RGB524PEH, except with standing pilot ignition system.

#### **RGB508PEH**

- White or Bisque
- Extra-large standard-clean oven
- Solid color-matched porcelain-enameled oven door
- Drop-down broiler door
- Electronic pilotless ignition

#### **RGB508PPH**

- White or Bisque
- Same features as RGB508PEH, except with standing pilot ignition system.



**RGB533WEH**  
*CAPACITY PLUS™*



**RGB528PEH**  
*CAPACITY PLUS™*

## 24" Compact Gas Ranges



**RGB524PEH/PPH**  
**CAPACITY PLUS™**



**RGA524EW/PW**

### **RGA524EW**

- White
- Standard-clean oven
- Electronic pilotless ignition
- Porcelain-enameled oven door
- Recessed, lift-up cooktop
- Round burner grates
- Push-to-turn controls
- 2 oven shelves
- Broiler drawer
- Broiler pan with grid

### **RGA524PW**

- White
- Same features as RGA524EW, except with standing-pilot ignition system.

## 20" Compact Gas Ranges



**RGB508PEH/PPH**  
**CAPACITY PLUS™**



**RGA520EW/PW**

### **RGA520EW**

- White
- Standard-clean oven
- Electronic pilotless ignition
- Porcelain-enameled oven door
- Recessed, lift-up cooktop
- Round burner grates
- Push-to-turn controls
- 2 oven shelves
- Broiler drawer
- Broiler pan with grid

### **RGA520PW**

- White
- Same features as RGA520EF, except with standing-pilot ignition system.

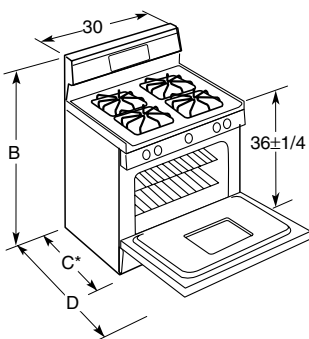
# Gas Range Specifications

30" CAPACITY PLUS™ Gas Ranges	RGB790SEH	RGB745WEH RGB745EEH RGB745BEH	RGB740BEH	RGB540SEH	RGB533WEH RGB533CEH	RGB528PEH	RGB524PEH RGB524PPH	RGB508PEH RGB508PPH
<b>Features</b>								
Extra-large oven	Self-Clean	Self-Clean	Self-Clean	Standard-Clean	Standard-Clean	Standard-Clean	Standard-Clean	Standard-Clean
Cooktop burners	Sealed	Sealed	Sealed	Sealed	Sealed	Twin	Twin	Twin
Performance Plus burner (Nat.)	(1) 12,000/ 1,000 BTU	(1) 12,000/ 1,000 BTU	(1) 12,000/ 1,000 BTU	(1) 12,000/ 1,000 BTU	(1) 12,000/ 1,000 BTU			
Simmer 600 burner (Nat.)	(1) 5,000/ 600 BTU	(1) 5,000/ 600 BTU	(1) 5,000/ 600 BTU	(1) 5,000/ 600 BTU	(1) 5,000/ 600 BTU			
All purpose sealed burners (Nat.)	(2) 9,500/ 850 BTU	(2) 9,500/ 850 BTU	(2) 9,500/ 850 BTU	(2) 9,500/ 850 BTU	(2) 9,500/ 850 BTU			
Oven controls	EasySet IV	EasySet IV	EasySet IV	Electronic Clock/Timer	Electronic Clock/Timer	Electronic Clock/Timer	Knob	Knob
Automatic oven timer	Electronic	Electronic	Electronic					
Porcelain-enameled cooktop	Upswept	Upswept	Upswept	Upswept	Upswept	Upswept	●	●
Lift-up cooktop				●			●	●
Easy-clean subtop				●			●	●
Valves (degree of turn)	270°	270°	270°	270°	270°	140°	140°	140°
Removable drip pans	Black Porc.-Enam.	Grey Porc.-Enam. Black Porc.-Enam. Black Porc.-Enam.	Black Porc.-Enam.	Opt. Access.	Opt. Access.	Opt. Access.	Opt. Access.	Opt. Access.
Removable square grates	Black Heavy-steel	Grey Heavy-steel Black Heavy-steel Black Heavy-steel	Black Heavy-steel	Black	Grey Taupe	Grey	Black	Black
Ignition system	Electronic	Electronic	Electronic	Electronic	Electronic	Electronic Electronic	Electronic Pilot	Electronic Pilot
Oven shelves	2	2	2	2	2	2	2	2
Six embossed rack positions	●	●	●	●	●	●	●	●
Interior oven light	●	●	●	●	●	●		
In-oven broiling	●	●	●					
Slide-out broiler drawer				●	●	●	●	Drop down door
Removable storage drawer	●	●	●					
<b>Appearance</b>								
Color appearance*	Silver Metallic	WW BB WH/CT	WH/CT	Silver Metallic	WW CC	WW	WH/CT WH/CT	WH/CT WH/CT
Frameless oven door	Silver Metallic	White Glass Black Glass Black Glass	Black Glass	Silver Metallic	White Glass Bisque Glass	White Porc.-Enam.	Solid CM Porc.-Enam.	Solid CM Porc.-Enam.
Oven door with window	Big view	●		Big view	●	●		
Handle style	Designer-Style	Designer-Style	Designer-Style	Designer-Style	Designer-Style	Visor	Visor	Visor
Removable oven door	●	●	●	●	●	●	●	●
<b>Weights and Dimensions</b>								
Overall oven interior dimensions (WxHxD in inches)	24x18.5x19							
Approx. shipping weight (lbs.)	210	210	210	185	185	165	147	166
<b>Power/Ratings</b>								
Gas range electrical rating†	120V, 60 Hz, 5A							
Top burners†† (000's BTU) NAT/LP	(1)-12.0/11.0 (1)-5.0/5.0 (2)-9.5/9.5				9.1/8.0			
Oven/broiler burners†† (000's BTU)	16.0/16.0 - Oven 12.5/12.0 - Broil			18.0/16.5				
<b>Accessories</b>								
LP conversion kit	●	●	●	●	●	●	●	●

\*WW=White with white door, CC=Bisque with bisque door, WH=White with black door, CT=Bisque with black door, CM=Indicates color of oven door matches range cooktop (either White or Bisque).

†Electrical rating not applicable to standing pilot models RGB524PPH/RGB508PPH

††Factory set for natural gas.



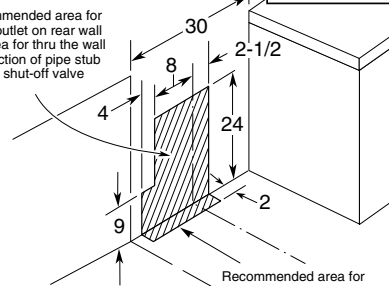
## 30" gas range dimensions (in inches)

Models	B Height	C* Depth	D Depth with door open
RGB790SEH	46-1/2	26-1/4	46-3/8
RGB745WEH/EEH/BEH	46-1/2	26-1/4	46-3/8
RGB740BEH	46-1/2	26-1/4	46-3/8
RGB540SEH	46-1/2	26-1/4	46-3/8
RGB533WEH/CEH	46-1/2	26-1/4	46-3/8
RGB528PEH	46-1/2	26-1/2	46-3/8
RGB524PEH/PPH	44	26-1/2	46-3/8
RGB508PEH/PPH	39-7/8	26-1/2	46-3/8

\*Depth from wall to front of closed oven door.

## 30" gas range installation information (in inches)

Recommended area for 120V outlet on rear wall and area for thru the wall connection of pipe stub and shut-off valve



Recommended common area for gas outlet and electrical outlet

Recommended area for thru the floor connection of pipe stub and shut-off valve



All Hotpoint ranges are equipped with an Anti-Tip device. The installation of this device is an important, required step in the installation of the range.



## Optional gas range accessory drip pans

(Available at additional cost)

To order these accessory drip pans, call toll-free 800-626-2002.

**Installation information:** Before installing, consult installation instructions packed with product for current dimensional data.

See page 75 for warranty information.

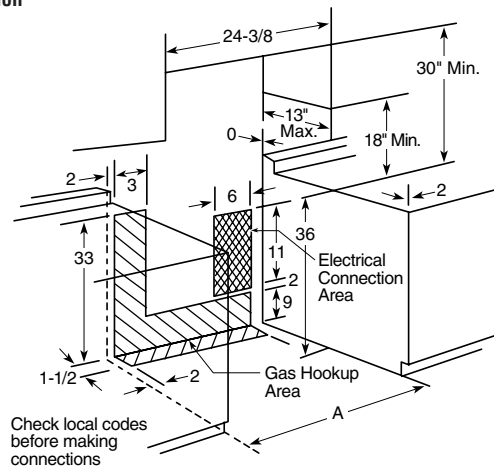
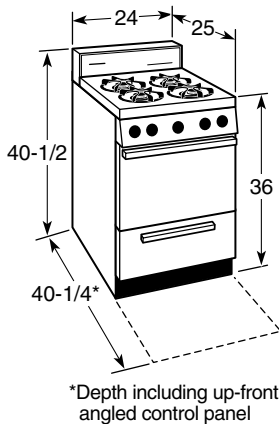
<b>24" and 20" Gas Ranges</b>	<b>24" range RGA524EW/PW</b>	<b>20" range RGA520EW/PW</b>
<b>Features</b>		
Oven cleaning	Standard	Standard
Oven shelves	2	2
Recessed lift-up cooktop	●	●
Porcelain-enameled subtop	●	●
Round grates	●	●
Ignition system	Electronic/Pilot	Electronic/Pilot
Push-to-turn controls	●	●
Broiler pan with grid	●	●
Separate broiler drawer (with tip down door)	●	●
<b>Appearance</b>		
Color appearance*	WH	WH
Porcelain-enameled oven door	Solid color-matched	Solid color-matched
Removable oven door	●	●
Four leveling legs	●	●
<b>Weights and Dimensions</b>		
Overall oven interior dimensions (WxHxD in inches)	19 x 14 x 19	14-7/8 x 16 x 19-1/2
Burner BTU:		
Top (Nat/LP)	9,000/8,000	9,000/8,000
Oven (Nat/LP)	18,000/18,000	18,000/18,000
Gas range electrical rating**	120V, 60 Hz, 5A	120V, 60 Hz, 5A
Approx. ship. wt. (lbs.)	140	124

\*WH=White with color-matched door

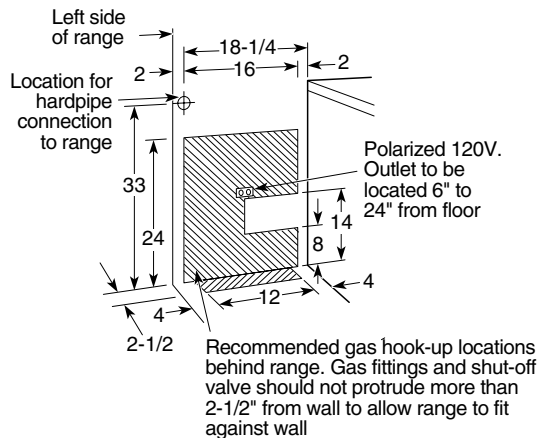
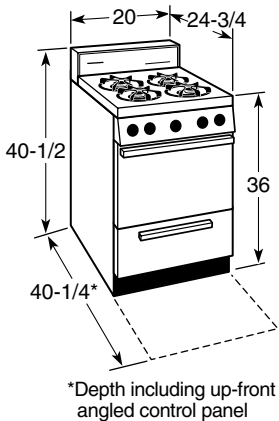
Factory set for natural gas. Can be converted to LP by a qualified technician. LP conversion kit is not required for RGA624 and RGA620 models.

\*\*Electrical rating not applicable to standing pilot model RGA624PF and RGA620PF.

## 24" gas range dimensions and installation information (in inches)



## 20" gas range dimensions and installation information (in inches)



All Hotpoint ranges are equipped with an Anti-Tip device. The installation of this device is an important, required step in the installation of the range.



**Installation information:** Before installing, consult installation instructions packed with product for current dimensional data.

See page 75 for warranty information.

# Hoods

## Hotpoint Standard Hoods



RN328H

### RN328H

- 30" width
- Silver metallic exterior
- Non-vented
- Variable two-speed fan control
- Cooktop light
- Removable grease filter

### JV666H

- 36" width
- Stainless steel
- Four-speed fan control
- Two halogen cooktop lights (50 watts each)
- Night-light setting
- Vertical (round 410 CFM, rectangular 380 CFM) or rear (390 CFM) exhaust
- 3-1/4" x 10" rectangular duct (convertible to 7" round duct)

### JV665H (not shown)

- Same features and appearance as JV666H except available in White on white, Bisque on bisque or Black on black.

### JV635H

- 30" width
- Black on black (shown), Bisque on bisque or White on white
- Four-speed fan control
- Two halogen cooktop lights (50 watts each)
- Night-light setting
- Vertical (round 410 CFM, rectangular (380 CFM) or rear (390 CFM) exhaust

### JV636H (not shown)

- Same features and appearance as JV635H except Stainless steel.

### JV565H

- 36" width
- White on white (shown), Bisque on bisque or Black on black
- Two-speed fan control
- Vertical (round 250 CFM, rectangular 240 CFM) or rear (240 CFM) exhaust
- Two halogen cooktop lights (50 watts each)
- Convertible exhaust options (7" round, rectangular or non-vented)
- Rectangular damper included

### JV566H (not shown)

- 36" width
- Same features and appearance as JV565H except Stainless steel

### JV535H (not shown)

- 30" width.
- Same features and appearance as JV565H except available in White on white, Bisque on bisque, or Black on black

### JV536H (not shown)

- 30" width
- Stainless steel

### JV367H

- 36" width
- White on white (shown), Bisque on bisque or Black on black
- Rotary control
- Three-speed fan
- Convertible exhaust (shipped in non-vented configuration, convertible to 7" round or rectangular exhaust)
- Rectangular damper included

### JV347H (not shown)

- 30" width
- White on white, Bisque on bisque or Black on black

### JV338H

- 30" width
- White on white, Bisque on bisque or Black on black
- Round and rectangular ducting
- Rectangular damper included
- Variable two-speed fan control
- Cooktop light

### JN327H (not shown)

- 30" width
- White on white, Bisque on bisque or Black on black
- Non-vented
- Variable two-speed fan control
- Cooktop light

JXDA22 round damper accessory, available at additional cost (Models JV666/665/636/635/566/565/536/535/367/347/338).

JXHC1 cord kit allows a receptacle in the cabinet over the range to accommodate either an over-the-range microwave oven or a standard hood.

Light bulbs not included

## GE Profile™—High-Performance Hoods

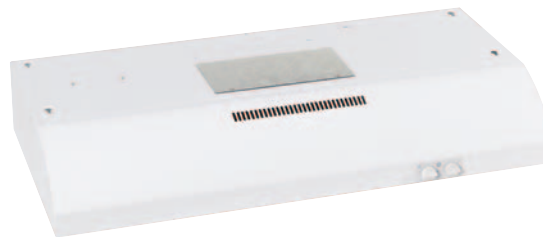


JV666H



JV635H

## GE Deluxe Hoods



JV367H

## GE Profile—Performance Hoods



JV565H

## GE Standard Hoods



JV338H



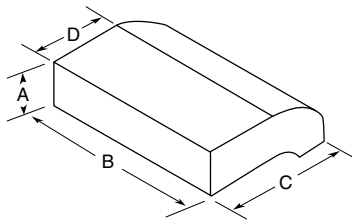
# Hood Specifications

	Width	Hotpoint						GE			
		Standard	High-Performance				Performance		Deluxe	Standard	
<b>Hoods</b>	30"	<b>RN328H</b>			<b>JV636H</b>	<b>JV635H</b>	<b>JV536H</b>	<b>JV535H</b>	<b>JV347H</b>	<b>JV338H</b>	<b>JN327H</b>
	36"		<b>JV666H</b>	<b>JV665H</b>			<b>JV566H</b>	<b>JV565H</b>	<b>JV367H</b>		
<b>Features</b>											
Two-speed fan control		•					•	•		•	•
Three-speed fan control									•		
Four-speed fan control			•	•	•	•					
Damper included (rectangular)			•	•	•	•	•	•	•	•	
Optional damper accessory (round)			JXDA22	JXDA22	JXDA22	JXDA22	JXDA22	JXDA22	JXDA22	JXDA22	
CFM/Sone rating:											
Back rectangular			390/7.5	390/7.5	390/7.5	390/7.5	240/4.5	240/4.5	180/7.0	160/7.0	
Top round			410/7.0	410/7.0	410/7.0	410/7.0	250/4.5	250/4.5	200/6.0	170/5.5	
Top rectangular			380/7.5	380/7.5	380/7.5	380/7.5	240/5.0	240/5.0	200/6.0	170/5.5	
Removable grease filters		Disposable 1-Pc. Filter <sup>†††</sup>	2 <sup>†</sup>	2 <sup>†</sup>	2 <sup>†</sup>	2 <sup>†</sup>	2 <sup>††</sup>	2 <sup>††</sup>	Disposable 1-Pc. Filter <sup>†††</sup>	1 <sup>†††</sup>	Disposable 1-Pc. Filter <sup>†††</sup>
Filter size (sq. in.)		90	207	207	171	171	171/207	171/207	90	90	90
Cooktop light(s)*		1	2 Halogen (50 watt)	2 Halogen (50 watt)	2 Halogen (50 watt)	2 Halogen (50 watt)	2 Halogen (50 watt)	2 Halogen (50 watt)	1	1	1
Night light position on light switch			•	•	•	•	•	•	•	•	•
3-1/4" x 10" rectangular duct			•	•	•	•	•	•	•	•	•
7" round duct			•	•	•	•	•	•	•	•	•
Non-vented		•					•	•			•
<b>Appearance</b>											
Color appearance**		Silver Metallic	SS	WW/CC/BB	SS	WW/CC/BB	SS	WW/CC/BB	WW/CC/BB	WW/CC/BB	WW/CC/BB
<b>Weights &amp; Dimensions</b>											
Approx. shipping weight (lbs.)		19	35	35	30	30	30	30	20	17	19
<b>Power/Ratings</b>											
Current rating amps @ 120V		2.5	2.5	2.5	2.5	2.5	1.4	1.4	2.5	2.5	2.5

\*Light bulbs not furnished.  
 \*\*SS = Stainless steel, WW = White on white, CC = Bisque on bisque, BB = Black on black.  
<sup>†</sup>WB02X11011 (30") or WB02X11012 (36") removable grease filter is available for additional cost. (Models JV666, 665, 636, 635).  
<sup>††</sup>WB02X10707 (30") or WB02X10708 (36") removable charcoal filter is available for additional cost. (Models JV566, 565, 536, 535).  
<sup>†††</sup>WB2X8391 replacement grease filter and WB02X10700 replacement charcoal filter are available for additional cost. (Models JV367/347/338, JN327 and RN328).  
 Call toll-free 800.626.2002

## Dimensions (in inches)

Model	A	B	C	D
RN328	5-1/2	29-7/8	17-1/2	12
JV666/JV665	4-3/4	35-7/8	20	12
JV636/JV635	4-3/4	29-7/8	20	12
JV536/JV535	4-3/4	29-7/8	20	12
JV566/JV565	4-3/4	35-7/8	20	12
JN327	5-1/2	29-7/8	17-1/2	12
JV338	5-1/2	29-7/8	17-1/2	12
JV347	5-1/2	29-7/8	17-1/2	12
JV367	5-1/2	35-7/8	17-1/2	12



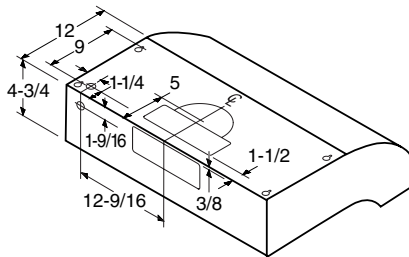
## JXHC1 Cord Kit

Allows a receptacle in the cabinet over the range to accommodate either an over-the-range microwave oven or a standard hood.

## Hood Dimensions (in inches)

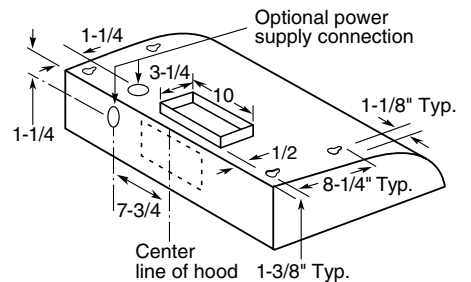
### 1 Models JV666H, JV665H, JV636H, JV635H, JV536H, JV535H, JV566H and JV565H

Exhaust outlet connects to 3-1/4" x 10" duct (vertically or horizontally) and 7" round (vertically). Includes rectangular damper and 7" round damper adapter. Round damper accessory, JXDA22 available at additional cost.



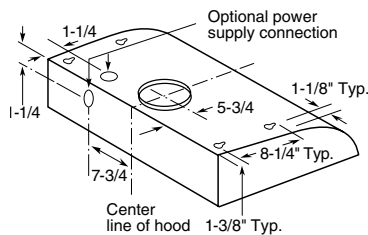
### 2 Models JV367H\* JV347H and JV338H

\*JV367H, JV347H and JV338H— Refer to this drawing for rectangular exhaust option. Refer to drawing 3 for round exhaust option. Exhaust outlet connects to 3-1/4" x 10" rectangular duct. Vent top or rear. Includes rectangular damper.

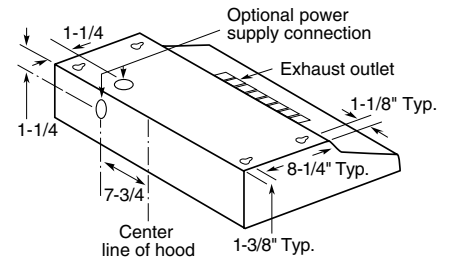


### 3 Models JV367H, JV347H and JV338H\*

\*JV367H, JV347H and JV338H— Refer to this drawing for round exhaust option. Refer to drawing 2 for rectangular exhaust option. Exhaust outlet connects to 7" diameter duct. Vent top only. Round damper accessory, JXDA22, available at additional cost.



### 4 Model JN327H and RN328H



(Models JV347, JV367, and JV338 only)



Listed by Underwriters Laboratories

**Installation Information:** Before installing, consult installation instructions packed with product for current dimensional data.

## Counter Saver Plus™ Microwave Ovens

Installed over your range, a Counter Saver Plus microwave oven keeps your counter clear, while keeping up with the demands of your busy lifestyle. It has all the convenience features you need to quickly heat, reheat and defrost everyday foods, along with a built-in venting system, high-capacity exhaust fan and full-view cooktop lighting.



### Auto Defrost

Automatically sets defrosting time and power level for fast defrosting.



### Reheat

Offers the flexibility of automatically reheating a variety of popular foods.



### RVM1635BJ

- 1.6 cu. ft. cavity
- 1000 watts\*
- Black on black

### RVM1635WJ

- White on white (not shown)

### RVM1635CJ

- Bisque on bisque (not shown)



### Popcorn

Maximizes popping without scorching pre-packaged popcorn.



### Turntable

Continually rotates food to ensure even cooking.



### RVM1435WJ

- 1.4 cu. ft. cavity
- 950 watts\*
- White on white

### RVM1435BJ

- Black on black (not shown)

## Microwave Oven with Convenience Cooking

### Countertop Microwave Oven

#### REM25SJ

- Silver metallic exterior
- 1.0 cu. ft. capacity—800 watts\*
- Convenience cooking controls
- Auto and Time Defrost
- Optional hanging kit included
- Child lock out
- Add 30 seconds



\*IEC-705 Test Procedure

Not all features available on all models.  
Complete features and specifications on page 44.

## GE® Microwave Ovens with Convenience Cooking

These models feature Convenience cooking controls; Turntable; Auto/Time Defrost; Electronic touch controls; Electronic digital display with clock; Express Cook; Child lockout; Optional undercabinet mounting kit†



Model shown with trim kit\*\*

### GE Spacemaker II™ Oven

#### JEM25WF

- White on white
- Mid-size 1.0 cu. ft. cavity
- 800 watts\*
- Turntable on/off
- Optional trim kit\*\*

JEM25BF Black on black (not shown)



### GE Convenience Oven

#### JE740WH

- White on white
- Compact .7 cu. ft. cavity
- 700 watts\*
- Optional trim kit\*\*

JE740BH Black on black (not shown)



\*IEC-705 Test Procedure

\*\*Optional trim kit—Custom Trim Kits available in both 27" and 30" configurations at an additional cost.

†Optional undercabinet mounting kit available at an additional cost.

Complete features and specifications on page 45.

## GE Microwave Oven Trim and Hanging Kits



### Built-In Trim Kit for 1.0 cu. ft. Microwave Ovens

For a custom built-in appearance, this kit allows built-in installation of the Spacemaker® II microwave oven into a wall or cabinet alone.

#### Trim Kits for Model JEM25

JX827WN—White  
JX827BN—Black



### Hanging Kit for .7 and 1.0 cu. ft. Microwave Ovens

This hanging kit allows installation under a cabinet, freeing up valuable counter space. A mounting template provides all the necessary measurements for installation on practically any wood or metal cabinet.

Hanging Kit for Models JE740, JEM25, REM25  
Pub. No. 4-A019

# Microwave Oven Specifications

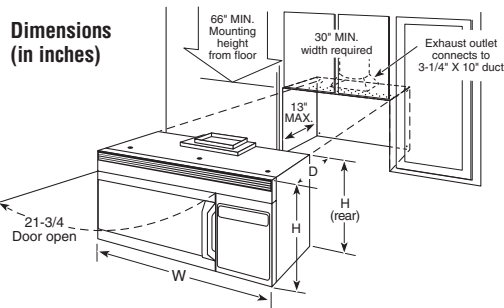
Counter Saver Plus™ microwave oven	RVM1635WJ	RVM1435WJ
	RVM1635CJ	RVM1435BJ
<b>Capacity</b>		
Oven cavity (cu. ft.)	1.6	1.4
<b>Features</b>		
Watts (IEC-705 Test Procedure)	1000	950
Power levels	10	10
Electronic touch controls	●	●
Clock	●	●
Display On/Off	●	●
Turntable	●	●
Time Cook	I & II	I & II
Auto/Time Defrost	●	●
Convenience controls	●	●
Popcorn pad	●	●
Beverage pad	●	●
Reheat pad	●	●
Express cook pads (1-6 minutes)	●	●
Instant On controls	●	●
Add 30 seconds	●	●
Kitchen timer	●	●
Cooking complete reminder	●	●
Delay Start	●	●
Child lockout	●	●
Full-View cooktop lighting	●	●
High-capacity exhaust fan	200-CFM	200-CFM
Easy-mount installation	●	●
<b>Appearance</b>		
Door color	White/Bisque/Black	White/Black
Case color	White/Bisque/Black	White/Black
<b>Weights &amp; Dimensions</b>		
Overall oven interior dimension WxHxD (in inches)	20 x 9-3/8 x 14-2/5	19-1/3 x 9-3/8 x 13-15/16
Approx. shipping weight (lbs.)	67	67
<b>Power/Ratings</b>		
2450 Frequency (MHz)	●	●
Electrical input	Watts	1500
@120V	Amps	13
<b>Accessories</b>		
Recirculating charcoal filter kit (optional)	JX81J	JX81J
<b>Warranty</b>		
Full one-year in-home warranty*	●	●
Limited four-year magnetron warranty* (5 years total)	●	●

\*See written warranty for details.

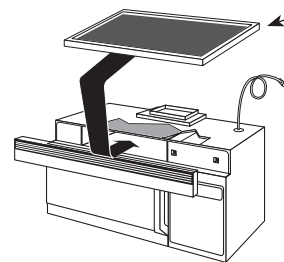
Microwave oven	REM25SJ
<b>Capacity</b>	
Oven cavity (cu. ft.)	1.0
<b>Features</b>	
Watts (IEC-705 Test Procedure)	800
Electronic touch controls	●
Electronic digital display w/clock	●
Convenience controls	●
Beverage	●
Cook	●
Popcorn	●
Reheat	●
Snacks	●
Express Cook	●
Instant On controls	●
Time cook I & II	●
Add 30 Seconds	●
Auto/Time Defrost	●
Power levels	10
Turntable On/Off	●
Kitchen timer	●
Cooking complete reminder	●
Delay Start/Reminder	●
Child lockout	●
<b>Appearance</b>	
Color appearance	Silver Metallic
Door color	Silver Metallic
Case color	Black
<b>Weights &amp; Dimensions</b>	
Approx. shipping weight, (lbs.)	40
Cavity	16-1/2 x 8-1/16 x 12-15/32
WxHxD (in inches) Exterior**	23-25/32 x 11-3/16 x 12-9/32
<b>Power/Ratings</b>	
2450 Frequency (MHz)	●
Electrical input	Watts
@ 120V	Amperage
	1300
	11.5
<b>Accessory</b>	
Cooking guide label	●
Hanging kit (Pub. No. 4-A019)	Included
Right-angle plug	●
<b>Warranty</b>	
Full one-year warranty*	In-Home
Limited nine-year Magnetron warranty* (10 years total)	5-Year

\*See written warranty for details.

\*\*Exterior dimensions: height includes feet, depth does not include handle.



## Optional accessories (Available at additional cost)



**JX81J-Recirculating Charcoal Filter Kit**  
To be used when the Counter Saver Plus microwave oven cannot be vented to the outside.

## Overall Exterior Dimensions (in inches)

Model	W	D	H	H (Rear)
RVM1635	29-7/8	15-3/4	15-3/4	16-1/2
RVM1435	29-7/8	15-3/4	15-3/4	16-1/2

**Important:** When installing the Counter Saver Plus microwave oven over a range, allow minimum of 2" from bottom of Counter Saver Plus microwave oven to top of range backguard to allow for removal of light covers.

**Installation instructions:** Before installing, consult installation instructions packed with product for current dimensional data.

## Ventilation options

The Counter Saver Plus microwave oven is designed for adaptation to the following three types of ventilation:

### Outside Exhaust (Vertical)

### Outside Exhaust (Horizontal)

### Recirculating (Non-vented ductless—Delivered from factory in the vertical exhaust position)

**Note:** Before installing, consult installation instructions for current dimensional data on these three types of ventilation.

# Microwave Oven Specifications

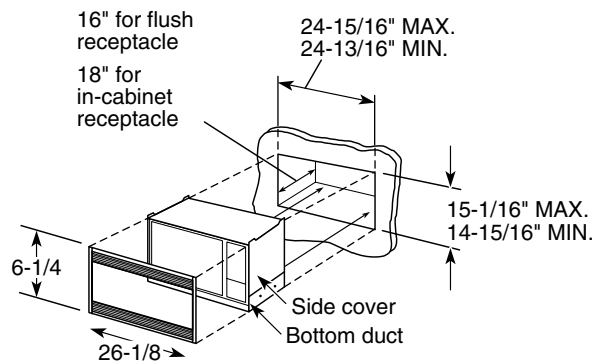
<b>GE® Spacemaker II™ microwave ovens</b>		<b>JEM25WF JEM25BF</b>
<b>Capacity</b>		
Oven cavity (cu. ft.)		1.0
<b>Features</b>		
Watts (IEC-705 Test Procedure)		800
Electronic touch controls		●
Electronic digital display w/clock		●
Convenience controls	Beverage	●
	Cook	●
	Popcorn	●
	Reheat	●
	Snacks	●
Express Cook		●
Instant On controls		●
Time cook I & II		●
Add 30 Seconds		●
Auto/Time Defrost		●
Power levels		10
Turntable On/Off		●
Kitchen timer		●
Cooking complete reminder		●
Delay Start/Reminder		●
Child lockout		●
<b>Appearance</b>		
Color appearance		White on white Black on black
Door color		White Black
Case color		White Black
<b>Weights &amp; Dimensions</b>		
Approx. shipping weight. (lbs.)		40
Cavity		16-1/2 x 8-1/16 x 12-15/32
WxHxD (in inches)	Exterior†	23-25/32 x 11-3/16 x 12-9/32
<b>Power/Ratings</b>		
2450 Frequency (MHz)		●
Electrical input @ 120V	Watts	1300
	Amperage	11.5
<b>Accessory</b>		
Cooking guide label		●
Hanging kit (Pub. No. 4-A019)*		Optional
Optional built-in kit		JX827WN JX827BN
Right-angle plug		●
<b>Warranty</b>		
Full one-year warranty**		In-Home
Limited nine-year Magnetron warranty** (10 years total)		●

\*Pub. No. 4-A019 is available at additional cost.

\*\*See written warranty for details.

†Exterior dimensions: height includes feet, depth does not include handle.

## Cut-Out Dimensions (in inches)



## Built-In Trim Kit For 1.0 Cu. Ft. Microwave Ovens

For a custom built-in appearance, this kit allows built-in installation of the Spacemaker II microwave oven into a wall or cabinet alone, and is U.L.-approved for installation over a GE single electric wall oven. This kit should not be installed over a gas wall oven.

### Trim Kits for Model JEM25

JX827WN—White, JX827BN—Black

**Installation instructions:** Before installing, consult installation instructions packed with product for current dimensional data.

See page 75 for warranty information.

<b>GE microwave ovens</b>		<b>JE740WH JE740BH</b>
<b>Capacity</b>		
Oven cavity (cu. ft.)		.7
<b>Features</b>		
Watts (IEC-705 Test Procedure)		700
Electronic touch controls		●
Electronic digital display w/clock (LED)		●
Convenience controls	Beverage	●
	Cook	●
	Popcorn	●
	Reheat	●
	Snacks	●
Express Cook		●
Instant On controls		●
Time cook		I & II
Add 30 Seconds		●
Auto/Time Defrost		●
Power levels		10
Turntable		●
Kitchen timer		●
Delay Start/Reminder		●
Cooking complete reminder		●
Child lockout		●
<b>Appearance</b>		
Color appearance		White on white Black on black
Door color		White Black
Case color		White Black
<b>Weights &amp; Dimensions</b>		
Approx. shipping weight (lbs.)		33
Cavity		13 x 7-1/16 x 13
WxHxD (in inches)	Exterior*	19-1/4 x 10-13/16 x 13-9/16
<b>Power/Ratings</b>		
2450 Frequency (MHz)		●
Electrical input @ 120V	Watts	1150
	Amperage	10.5
<b>Accessory</b>		
Cooking guide label		●
Hanging kit (Pub. No. 4-A019)**		Optional
Right-angle plug		●
<b>Warranty</b>		
Full one-year warranty†		Carry-In
Four-year magnetron warranty† (Five years total)		Nine-Year (10 years total)

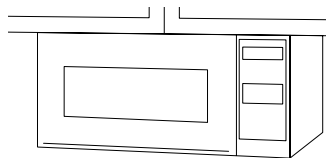
\*Exterior dimensions: height includes feet.

\*\*Pub. No. 4-A019 is available at additional cost.

†See written warranty for details.

## Undercabinet Mounting Kit Pub. No. 4-A019 For Spacemaker II and Microwave Oven Models JEM25 and JE740 (Available at additional cost)

Not to be used over a thermal oven.



### Undercabinet Installation

Install Spacemaker II and microwave ovens in just a few easy steps with the mounting template, which provides all the necessary measurements. These microwave ovens can be installed on practically any wood or metal cabinets. Installation may vary depending on cabinets.

**Note:** 120V, 60-cycle, grounded power receptacle location optional on back within cabinet opening.

# Dishwashers

*Hotpoint dishwashers offer quiet performance, capacity and quality at an exceptional value*



**Hotpoint dishwashers deliver outstanding performance...quietly.** Wash performance, quiet operation and dependability make Hotpoint a great choice.



**Power Wash II system**  
Provides three-level wash action with powerful water jets to effectively remove food soils.



## HDA3740GSA

- Silver metallic exterior
- Trimless door design
- Power Wash II system
- Hot PreWash option
- QuietDesign™ sound package
- TouchTap™ controls
- 1-5-hour Delay Start
- Super upper rack
- Deluxe lower rack



**ENERGY STAR®-qualified**  
Hotpoint dishwashers\* are certified to exceed ENERGY STAR guidelines for energy efficiency.

\*Excluding HDA1000G



**Hot PreWash option**  
Preheats water before the main wash cycle for excellent performance time after time.



**Self-cleaning filter**  
Effectively traps and removes food soils. No hand-cleaning of any filter by consumer is necessary.



**QuietPower™ motor**  
Runs quietly and efficiently to keep the kitchen peaceful.

High quality features for performance and convenience



HDA3700GBB



### HDA3700GBB

- Trimless door design
- Power Wash II system
- Hot PreWash option
- QuietDesign sound package
- TouchTap controls
- 1–5-hour Delay Start
- Super upper rack
- Deluxe lower rack
- 6 cycles/31 options
- Pots & Pans cycle
- Heavy Wash cycle
- Water Saver cycle
- Plate Warmer cycle
- Hi-Temp Wash
- Deluxe silverware basket

**HDA3700GWW** White on white  
**HDA3700GCC** Bisque on bisque



HDA3400GBB



### HDA3400GBB

- Trimless door design
- Power Wash II system
- Hot PreWash option
- QuietPower motor
- Pushbutton controls
- Super upper rack
- Deluxe lower rack
- 5 cycles/22 options
- Pots & Pans cycle
- Water Saver cycle
- Plate Warmer cycle
- Hi-Temp Wash
- Deluxe silverware basket

**HDA3400GWW** White on white  
**HDA3400GCC** Bisque on bisque



HDA2000GBB



### HDA2000GBB

- Trimless door design
- Deluxe lower rack
- Hot PreWash option
- QuietPower motor
- 4 cycles/9 options
- Heavy Wash cycle
- Water Saver cycle
- Rinse Only cycle
- Heated Dry
- Deluxe silverware basket

**HDA2000GWW** White on white  
**HDA2000GCC** Bisque on bisque

Available for contract sales only.



HDA1000GWH

### HDA1000GWH

- Trimless door design
- Deluxe lower rack
- Hot PreWash option
- QuietPower motor
- 1 cycle/4 options
- Durable tub and door liner
- Normal Wash cycle
- Heated Dry
- Deluxe silverware basket

White door with black control panel.

## GE Spacemaker® Under-the-Sink Dishwashers



Installed under a single sink



Installed under a cooktop



### GSM2100GWW

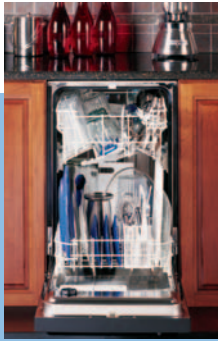
- White on white
- Trimless door design
- Spacemaker upper rack
- Deluxe lower rack
- Deluxe silverware basket
- QuietPower™ motor
- HotStart™ option
- 5 cycles/12 options
- Two wash levels

- Pots & Pans cycle
- Normal Wash cycle
- Short Wash cycle (on dial)
- Plate Warmer cycle (on dial)
- Rinse Only cycle (on dial)
- PermaTuf® tub

**GSM2100GCC** Bisque on bisque  
**GSM2100GBB** Black on black (not shown)

Note: Under-the-sink dishwashers can be installed under GE cooktop models JP201C and JP202D. Refer to cooktop installation instructions.

## GE Spacemaker 18" Built-in Dishwasher with Stainless Interior



### GSM1800JBB

- Black on black
- Bright annealed stainless steel interior
- Full-length, flat door
- Nylon racks
- Removable upper rack

- China/Crystal cycle
- Pots & Pans cycle
- Heated Dry option
- 7 cycles/12 options
- Plate Warmer cycle

**GSM1800JWW** White on white (not shown)

## GE Nautilus™ Convertible Dishwashers

These models feature ENERGY STAR®-qualified; Candlelight woodgrain laminate top; PowerScrub™ wash system; QuietDesign™ sound package; Five wash levels; Piranha™ hard food disposer; Pots & Pans cycle; Normal Wash cycle; Short Wash cycle; Plate Warmer cycle; Rinse Only cycle; Heated Dry option; Hi-Temp Wash option; HotStart option; Super upper rack; Deluxe lower rack; QuietPower motor; Trimless door design.



Portable now



Built-in later



### GSC3400JWW

- White on white
- TouchTap™ controls
- 1-6-hour Delay Start
- China/Crystal cycle
- 7 cycles/39 options

- Deluxe split silverware basket
- Rinse aid dispenser with indicator

**GSC3400JBB** Black on black (not shown)



### GSC3200JBB

- Black on black
- Pushbutton controls
- 5 cycles/22 options
- Deluxe silverware basket

**GSC3200JWW** White on white (not shown)



# GE Disposall®—Food Waste Disposers

These models feature stainless steel; dual-swivel; anti-jam grinding blades; Manual reset overload protector; Removable splash guard (continuous feed models only); Drain connector kit.



## Continuous feed disposers

### GFC1020F

- Heavy-duty 1 HP motor
- 2800-RPM grinding action
- Super capacity
- QuietPower III sound insulation package
- EZ-Mount installation
- Stainless steel sink flange
- Sink stopper
- One-year full replacement plus six-year limited warranty\*

### GFC520F

- Heavy-duty 1/2 HP motor
- 2600-RPM grinding action
- Large capacity
- Standard sound insulation package
- EZ-Mount installation
- Stainless steel sink flange
- Sink stopper
- One-year full replacement plus one-year limited warranty\*

### GFC720F

- Heavy-duty 3/4 HP motor
- 2700-RPM grinding action
- Super capacity
- QuietPower II sound insulation package
- EZ-Mount installation
- Stainless steel sink flange
- Sink stopper
- One-year full replacement plus four-year limited warranty\*

### GFC525F

Similar to GFC520 but has attached line cord

### GFC320F

- 1/3 HP motor
- 1900-RPM grinding action
- Large capacity
- Standard sound insulation package
- EZ-Mount installation
- Stainless steel sink flange
- Sink stopper
- One-year full replacement warranty\*

### GFC530F

- Heavy-duty 1/2 HP motor
- 2600-RPM grinding action
- Extra-large capacity
- QuietPower I sound insulation package
- EZ-Mount installation
- Stainless steel sink flange
- Sink stopper
- One-year full replacement plus two-year limited warranty\*

### GFC325F

Similar to GFC320 but has attached line cord

## Batch feed disposer

### GFB760F

- Heavy-duty 3/4 HP motor
- 2700-RPM grinding action
- Super capacity
- QuietPower II sound insulation package
- EZ-Mount installation
- Stainless steel sink flange
- Sink stopper
- One-year full replacement plus four-year limited warranty\*

### GFC535F

Similar to GFC530 but has attached line cord

## GE Profile™ Built-In Compactors



### GCG1540FSS Stainless steel

- Built-in only
- 1.4 cu. ft. capacity
- 1/3-HP motor
- Removable key lock
- Toe pedal opener
- Rear wheels allow easy movement and installation
- Heavy-gauge steel construction

### GCG1530FWW White on white (not shown)

### GCG1550FCC Bisque on bisque (not shown)

### GCG1520FBB Black on black (not shown)

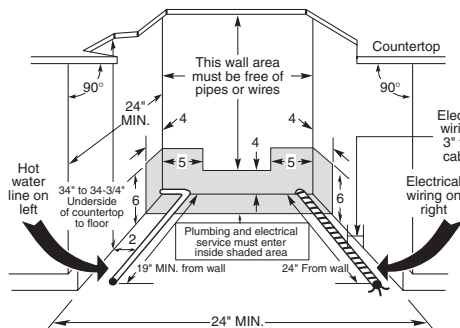
\*See written warranty for details

# Dishwasher Specifications

Built-in dishwashers	ENERGY STAR®	ENERGY STAR	ENERGY STAR	HDA1000GWH
	HDA3740GSA	HDA3400GWW	Contract Only	
	HDA3700GWW	HDA3400GWW	HDA2000GWW	
	HDA3700GCC	HDA3400GCC	HDA2000GCC	
Features				
Power Wash II system	●	●		
Self-cleaning filter	●	●		
Food disposer	●	●	●	●
Wash levels	3	3	2	2
Cycles/Options	6/31	5/22	4/9	1/4
Pots & Pans cycle	●	●		
Heavy Wash cycle	●		Dial	
Normal Wash cycle	●	●	Dial	Dial
Water Saver cycle	Dial	Dial	Dial	
Plate Warmer cycle	Dial	Dial		
Rinse Only cycle	Dial	Dial	Dial	
Delay Start	1-5-hour			
Heated Dry	●	●	Rocker	Rocker
Hi-Temp Wash	●	●		
Hot PreWash option	●	Dial	Dial	Dial
Control Type	TouchTap™ w/Dial	Pushbutton w/Dial	Dial w/Rocker	Dial w/Rocker
Touchpads	7			
Pushbuttons		6		
Cycle progress indicator	1 "cycle on"			
Rack System	Upper: Super Lower: Deluxe	Super Deluxe	Standard Deluxe	Standard Deluxe
Silverware basket	Deluxe	Deluxe	Deluxe	Deluxe
Hard countertop installation	GPF65	GPF65	GPF65	GPF65
Rinse aid dispenser	●	●	●	●
Center throw door latch	●	●	●	●
Quiet				
Sound insulation package	QuietDesign™	Standard	Standard	
QuietPower™ motor	●	●	●	●
Appearance				
Colors available*	SA, WW, CC, BB	WW, CC, BB	WW, CC, BB	WH
Color panels	Door: Trimless Access: Trimless	Trimless Trimless	Trimless Trimless	Trimless Trimless
Weights & Dimensions				
Height w/legs retracted (in.)	34	34	34	34
Overall width (in.)	24	24	24	24
Overall depth (in.)	25-3/4	25-3/4	25-3/4	25-3/4
Approx. shipping wt. (lbs.)	80	80	80	80
Accessories				
Requires kit for 1/4" panel capability (w/trim)	GPF425W/C/B	GPF325W/C/B	GPF325W/C/B	GPF325W
Requires kit for 3/4" panel capability (trimless)	GPF475	GPF375	GPF375	GPF375

\*Colors available: SA = Silver metallic, WW = White on white, CC = Bisque on bisque, BB = Black on black, WH = White door with black control panel.

## Dishwasher rough-in information (in inches)

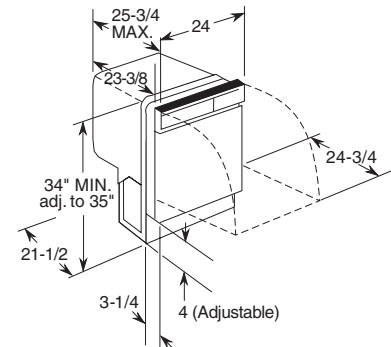


## Specifications and electrical rating

120 Volts AC, 60 Hertz, 6.2 Amps total connected load 500 Watt Calrod® heater. For use on adequately wired 120 volt, 15 amp circuit having two-wire service with a separate ground wire. This appliance must be grounded for safe operation. Dishwasher must not be installed more than 10 feet from sink for proper drainage. All plumbing and electrical work must be in accordance with local codes. Dishwasher includes drain hose and leveling legs.

**Note:** Before installing, consult installation instructions packed with product for current dimensional data.

## Dishwasher dimensions (in inches)



## Dishwasher accessories

### Side panel for all models:

Contains one panel and adjustable toe kick for end cabinet installation of built-in model. Does not attach to dishwasher. Specify color: GPS5WW—White GPS5CC—Bisque

### Optional dishwasher accessories:

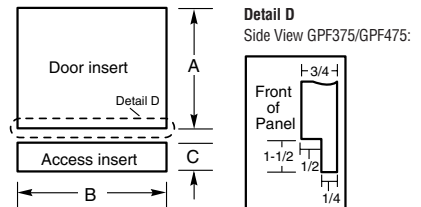
- GPF65—Brackets for under non-wood countertop installation
- GPF95—Stainless sink for Spacemaker® dishwasher single bowl 21-1/4" x 25" drain hole on right; elbow and strainer included
- GPF96—Stainless sink for Spacemaker dishwasher single bowl 21-1/4" x 25" drain hole on left; elbow and strainer included
- GPF97—Stainless sink for Spacemaker dishwasher double bowl 21-1/4" x 33" elbow and strainer included
- GPF100—Heavy spring kit for custom door panel weighing more than 4 lbs.

### Wood panel capability:

- Model: GSM1800**
- GPF18W/B—1/4" panel trim kit
- Models: HDA3400, HDA2000, HDA1000, GSM2100, GSC3200**
- GPF325W/C/B—1/4" panel trim kit (door and access)
- GPF375—3/4" trimless panel trim kit (door and access) [GPF100—heavy-duty spring kit included]
- Models: HDA3700, GSC3400**
- GPF425W/C/B—1/4" panel trim (door and access)
- GPF475—3/4" trimless panel kit (door and access) [GPF100—heavy-duty spring kit included]

## Wood insert cutout dimensions (in inches)

Kits: GPF325, GPF375, GPF425 and GPF475

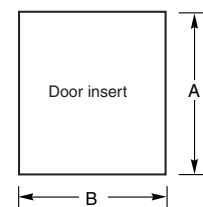


Kit	A	B	C	D - Panel Thickness
GPF325	18-7/8	23-9/16	3-11/16	1/4
GPF375	18-15/16	23-5/8*	4-1/4 to 3-3/4**	3/4
GPF425	19-3/4	23-9/16	3-11/16	1/4
GPF475	19-7/8	23-5/8*	4-1/4**	3/4

\* Bottom of panel must be notched 1-1/2" x 1/2" to clear access panel. (See illustration above)  
\*\* Adjustment required to match adjacent cabinet fronts due to leveling adjustment, 4" nominal.

## Wood insert cutout dimensions (in inches)

Kits: GPF18W/B



Kit	A	B	Panel Thickness
GPF18W/B	22-3/16	17-3/16	1/4

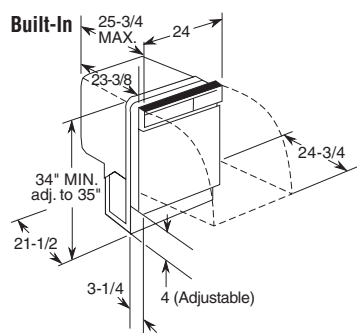
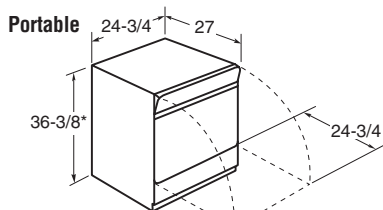
See page 75 for warranty information.



GE® Nautilus convertible dishwashers	ENERGY STAR	ENERGY STAR
	GSC3400JWW GSC3400JBB	GSC3200JWW GSC3200JBB
<b>Features</b>		
Wash system	PowerScrub™	PowerScrub
Wash levels	5	5
Water filtration	Dual	Dual
Hard food disposer	Piranha™	Piranha
<b>Cycles</b>		
Pots & Pans	●	●
Heavy Wash	●	●
Normal Wash	●	●
China/Crystal	●	●
Short Wash	Dial	Dial
Plate Warmer	Dial	Dial
Rinse Only	Dial	Dial
<b>Options</b>		
Delay Start option	1-6-hour	
Heated Dry	●	●
Energy Saver	●	●
Hi-Temp Wash	●	●
HotStart™	●	Dial
<b>Racks (upper/lower)</b>		
	Super/Deluxe	Super/Deluxe
Silverware basket	Deluxe split w/2 cell covers	Deluxe
Cycle progress indicator	1 "Cycle On"	Dial
TouchTap controls	8	
Pushbuttons		6
Hard countertop installation	GPF65	GPF65
Rinse aid dispenser	w/Indicator	●
Center throw door latch	●	●
<b>Quiet</b>		
Sound insulation package	QuietDesign	QuietDesign
PermaTuf® tub and door liner	●	●
QuietPower motor	●	●
Sealed toekick	●	●
<b>Appearance</b>		
Colors available*	WW, BB	WW, BB
Color panels—door & access	Trimless	Trimless
Decorative wood laminate top	Woodgrain	Woodgrain
<b>Weights &amp; Dimensions</b>		
Overall height w/legs extended (in.)	36-3/8	36-3/8
Overall width (in.)	24-7/8	24-7/8
Overall depth (in.)	27	27
Approx. shipping weight (lbs.)	130	130
<b>Accessories</b>		
Requires kit for 1/4" panel capability with trim	GPF425W/B	GPF325W/B
Requires kit for trimless 3/4" panel capability	GPF475	GPF375

\*Colors available: WW = White on white, BB = Black on black.

## Convertible Dishwasher Dimensions (in inches)



## Electrical rating

Voltage AC..... 120  
 Hertz ..... 60  
 Total connected load amperage..... 6.2  
 Calrod heater watts ..... 500  
 For use on adequately wired 120V, 15-amp circuit having 2-wire service with a separate ground wire. This appliance must be grounded for safe operation.

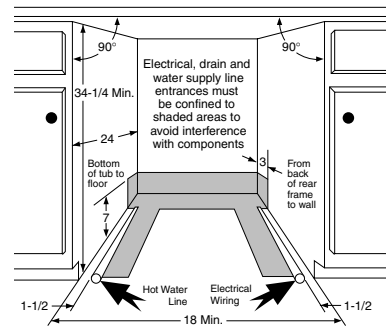
**Important Note:** GE kit number WD35M34 needed when adapting GE convertible dishwasher to a built-in installation. Contains built-in dishwasher water valve, hardware and complete instructions for changing a GE convertible dishwasher for under-the-counter installation.

See page 75 for warranty information.

GE Spacemaker 18" built-in dishwasher	ENERGY STAR
	GSM1800JWW GSM1800JBB
<b>Features</b>	
Tub and door liner	Stainless steel
Wash levels	2
Cycles	7
Pots & Pans	Dial
Heavy Wash	Dial
Normal Wash	Dial
Light Wash	Dial
China/Crystal	Dial
Plate Warmer	Dial
Rinse Only	Dial
<b>Options</b>	
Heated Dry	12
Nylon racks (upper/lower)	Standard
Removable upper rack	●
Utility shelves	●
Silverware basket	Standard
Control type	Turn-to-start
Cycle progress indicator	Dial
Hard countertop installation	N/A
Rinse aid dispenser	w/adjustment
120°F inlet water capability	●
Leveling screws	●
<b>Quiet</b>	
Tub insulation	Standard
<b>Appearance</b>	
Colors available*	WW, BB
<b>Weights &amp; Dimensions</b>	
Height w/legs retracted (in.)	32-1/2
Overall width (in.)	18
Overall depth (in.)	22-1/2
Approx. shipping weight (lbs.)	100
<b>Accessories</b>	
Requires kit for 1/4" panel capability with trim	GPF18W/B

\*Colors available: WW = White on white, BB = Black on black.

Figure 1



## Dishwasher Rough-In Information

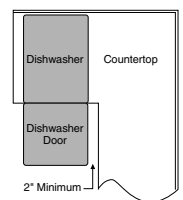
**Note:** Dishwasher must not be installed more than ten feet from sink for proper drainage. All plumbing and electrical work must be in accordance with local codes.

Most of the installation work should be done before the dishwasher is moved into place. First, select a location as close to the sink as possible for ready access to water and drain lines. For proper operation and appearance of the dishwasher, the cabinet opening should be square and have dimensions as shown in Figure 1. If the dishwasher is to be installed in a corner, there must be sufficient clearance to open the door as shown in Figure 2. A minimum clearance of 2" is recommended.

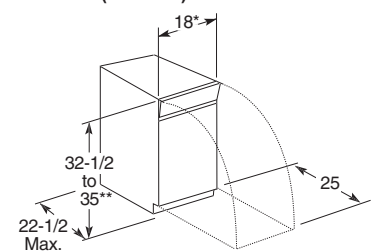
Rough-in the water, electrical, and drain lines before proceeding with installation. The lines should run straight to their connections on the dishwasher.

**Note:** Make sure that the lines do not cross in front of the dishwasher motor or its legs.

Figure 2



## Spacemaker Built-In Dimensions GSM1800J (in inches)



## Electrical rating

Voltage AC..... 120  
 Hertz ..... 60  
 Total connected load amperage..... 9.0  
 Calrod heater watts ..... 550

For use on adequately wired 120V, 15-amp circuit having 2-wire service with a separate ground wire. This appliance must be grounded for safe operation.

# Dishwasher Specifications

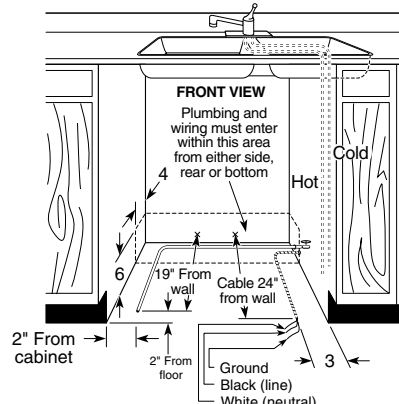
## GE Spacemaker® under-the-sink dishwasher

	<b>ENERGY STAR®</b>
	<b>GSM2100GWW</b>
	<b>GSM2100GCC</b>
	<b>GSM2100GBB</b>
Features	
Wash levels	2
Food disposer	●
Cycles	5
Pots & Pans	●
Normal Wash	●
Short Wash	Dial
Plate Warmer	Dial
Rinse Only	Dial
Options	12
Heated Dry	●
HotStart™	Dial
Racks, shelf & basket	
Upper rack	Spacemaker
Lower rack	Deluxe
Silverware basket	Deluxe
Control type	Turn-to-start
Cycle progress indicator	Dial
Pushbuttons	4
Hard countertop installation	GPF65
Optional heavy door spring	GPF100
Rinse aid dispenser	●
Center throw door latch	●
Quiet	
PermaTuf® tub and door liner	●
QuietPower™ motor	●
Appearance	
Colors available*	WW, CC, BB
Color panels—door & access	Trimless
Weights & Dimensions	
Height w/legs retracted (in.)	34
Overall width (in.)	24
Overall depth (in.)	25-3/4
Approx. shipping weight (lbs.)	72
Accessories	
Requires kit for 1/4" panel capability with trim	GPF325W/C/B
Requires kit for trimless 3/4" panel capability	GPF375

\*Colors available: WW = White on white, CC = Bisque on bisque, BB=Black on black.

**Note:** Under-the-sink dishwashers can be installed under GE cooktop models JP201C and JP202D. Refer to cooktop installation instructions.

## Plumbing/Electrical Rough-In (in inches)



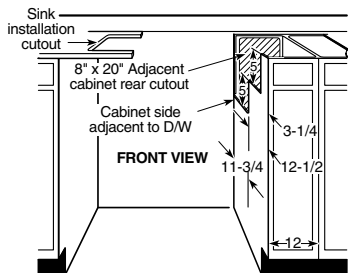
**Plumbing:** Hot Water Only: Use 3/8" O.D. copper tubing or 1/2" O.D. plastic tubing min. inlet line. Water valve has 3/8" internal threads. Hand cut-off valve is recommended.

**Electrical:** Fuse circuit with 15 amp or 20 amp standard fuse or circuit breaker. Total amp load is 6.2. Dishwasher operates on 120V, 60 Hz power. Two-wire cable (14 Ga. Min.) with ground must be installed.

**Note:** All rough-in, both plumbing and electrical, must be completed before the dishwasher is installed. All plumbing and electrical work must be in accordance with local codes.

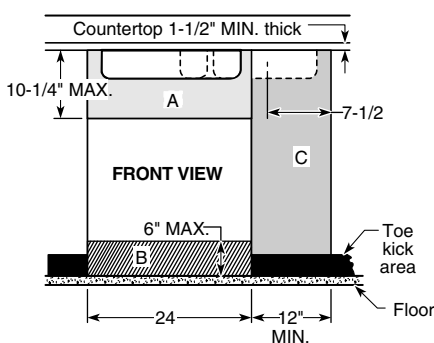
**Specifications:** Inlet Water Temperature Recommended: Minimum 120°F at dishwasher. Inlet Water Pressure Required: 15 to 120 lbs./sq. in.

## Cabinet Cutout for Sink (in inches)



Cabinet cutouts for offset single and double bowl sinks. Dishwasher not provided with complete enclosure. Enclosures for sides, top, bottom, and back must be provided by installer at time of installation.

## Cabinet Rough-In (in inches)



Either single- or double-bowl sink may be used, centered or offset, as shown in the front illustration above. The 20-1/2" max. dimension from wall to front of sink bowl must be accurate if dishwasher is to fit properly under sink. Water lines to sink faucet and drain from sink can be run through area "A." HOT WATER line to dishwasher is installed in area "B." Garbage disposer, water lines to faucet, trap, waste air gap and water cut-off valve are installed in 12" wide cabinet shown in area "C." Sink opening for garbage disposer must be dimensioned as shown in front view, area "C" above (7-1/2"). This will provide clearance for disposer and plumbing in cabinet "C" when using double bowl sink. If the sink bowl is more than 20-1/2" max. specified distance from the wall, or if the base cabinet is less than the 24" min. depth from the wall, a gap between the tub front flange and the front of the base cabinet may result.

## Stainless Steel Sinks Single- and Double-Bowl Models Dimensions (in inches)

Model Number	Overall Size			Inside Each Compartment		
	L	W	D	L	W	D
GPF95 (Single Bowl, R)*	25	21-1/4	21	15-3/4	5-3/8	
GPF96 (Single Bowl, L)*	25	21-1/4	21	15-3/4	5-3/8	
GPF97 (Double Bowl)	33	21-1/4	14	15-3/4	5-3/8	

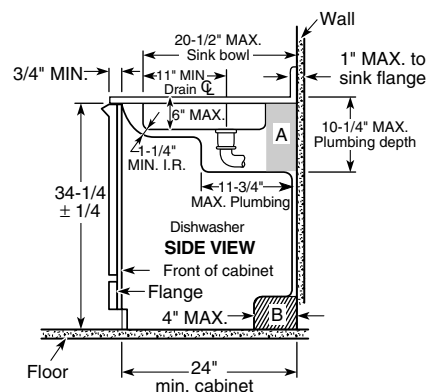
Model Number	Cutout In Countertop 1-1/2" Radius Corners		No. Of 1-1/2" Dia. Faucet Holes	Ship. Wt. Lbs.
	L	W		
GPF95 (Single Bowl, R)*	24-3/8	20-5/8	3 or 4**	10
GPF96 (Single Bowl, L)*	24-3/8	20-5/8	3 or 4**	10
GPF97 (Double Bowl)	32-3/8	20-5/8	3 or 4**	12-1/2

**Note:** Drain opening size is 3-1/2".

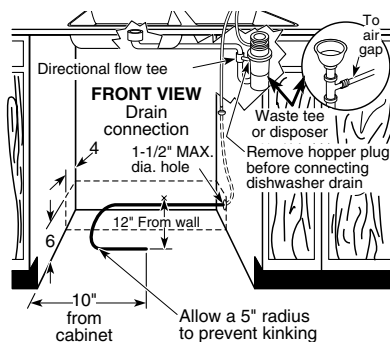
Above models are fully sound deadened.

\*Suffix "L" or "R" means drain outlet is located in upper left or right corner of sink compartment.

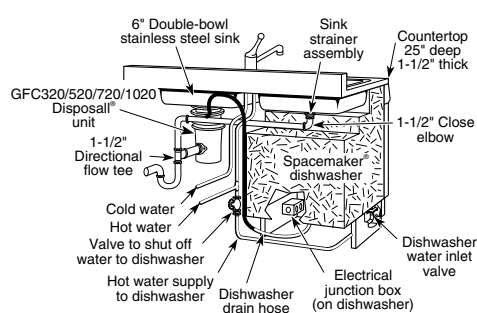
\*\*All have four holes, but one hole has a removable plug.



## Rough-In for Installation with Disposer (in inches)



## Rear View Plumbing Arrangement (in inches)



A close-fitting elbow or special shallow sink strainer is necessary to provide clearance between sink drain and dishwasher. Dishwasher furnished with 1/2" I.D. drain hose, 78" long. If using copper tubing, 2" length of 1/2" I.D. rubber hose must be provided to connect copper tubing to pump outlet. Disposer should have 7/8" I.D. dishwasher drain connector.

# Disposer and Built-In Compactor Specifications

GE Disposal® food waste disposers	Continuous Feed								Batch Feed
	GFC1020F	GFC720F	GFC530F	GFC535F	GFC520F	GFC525F	GFC320F	GFC325F	GFB760F
<b>Features</b>									
Motor horsepower	1	3/4	1/2	1/2	1/2	1/2	1/3	1/3	3/4
Control method	Wall switch	Wall switch	Wall switch	Wall switch	Wall switch	Wall switch	Wall switch	Wall switch	Stopper
Feed type	Continuous	Continuous	Continuous	Continuous	Continuous	Continuous	Continuous	Continuous	Batch
Power connection	Direct wire	Direct wire	Direct wire	Line cord	Direct wire	Line cord	Direct wire	Line cord	Direct wire
Impellers									
Dual-swivel	●	●	●	●	●	●	●	●	●
Jam resistant	●	●	●	●	●	●	●	●	●
Stainless steel	●	●	●	●	●	●	●	●	●
Armature shaft material	Cold-rolled carbon steel	Cold-rolled carbon steel	Cold-rolled carbon steel	Cold-rolled carbon steel	Cold-rolled carbon steel	Cold-rolled carbon steel	Cold-rolled carbon steel	Cold-rolled carbon steel	Cold-rolled carbon steel
Grinding speed (RPMs)	2,800	2,700	2,600	2,600	2,600	2,600	1,900	1,900	2,700
Capacity	Super	Super	Extra-large	Extra-large	Large	Large	Large	Large	Super
Mounting type	EZ-Mount	EZ-Mount	EZ-Mount	EZ-Mount	EZ-Mount	EZ-Mount	EZ-Mount	EZ-Mount	EZ-Mount
Turntable material	Stainless	Stainless	Stainless	Stainless	Galv. steel	Galv. steel	Galv. steel	Galv. steel	Stainless
Two-level precut	●	●	●	●	●	●	●	●	●
Stainless steel sink flange	●	●	●	●	●	●	●	●	●
Manual reset overload protector	●	●	●	●	●	●	●	●	●
Splash guard	●	●	●	●	●	●	●	●	●
Sink stopper	●	●	●	●	●	●	●	●	●
Dishwasher drain connector	●	●	●	●	●	●	●	●	●
Drain elbow	●	●	●	●	●	●	●	●	●
<b>Quiet</b>									
Sound insulation package	QuietPower III	QuietPower II	QuietPower I	QuietPower I	Standard	Standard	Standard	Standard	QuietPower II
<b>Weights &amp; Dimensions</b>									
Approx. shipping weight (lbs.)	14.9	12.45	9.6	9.9	8.8	9.1	8.4	8.7	13.75
Net weight (lbs.)	13.2	10.7	8.05	8.35	7.8	8.1	7.4	7.7	11
Dishwasher inlet diameter (in.)	1	1	1	1	1	1	1	1	1
Drain outlet diameter (in.)	1-1/2	1-1/2	1-1/2	1-1/2	1-1/2	1-1/2	1-1/2	1-1/2	1-1/2
<b>Power Ratings</b>									
Volts, Hertz, Amps	120; 60; 7.0	120; 60; 6.0	120; 60; 4.5	120; 60; 4.5	120; 60; 4.5	120; 60; 4.5	120; 60; 4.0	120; 60; 4.0	120; 60; 6.0
<b>Warranty*</b>									
One-year full replacement							●	●	
One-year full replacement plus One-year limited replacement					●	●			
One-year full replacement plus Two-year limited replacement			●	●					
One-year full replacement plus Four-year limited replacement		●							●
One-year full replacement plus Six-year limited replacement	●								

\*See written warranty for details.

## GE Profile™ built-in compactors

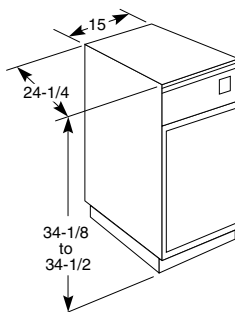
GCG1540FSS, GCG1530FWW,  
GCG1550FCC, GCG1520FBB

Features	
Cycle time	27 seconds max., 14 seconds min.
Drive system	2-Point
Motor horsepower	1/3
Compression ratio (average)	75% reduction of volume
Ram force (lb.) (max.)	2,300
Front level legs and rear wheels	●
Capacity	1.4 cu. ft.
Side release bin	●
Toe/foot pedal drawer opener	●
Lock/start control w/removable key	●
Automatic anti-jam	●
Slide-out drawer	●
<b>Appearance</b>	
Color appearance*	SS, WW, CC, BB
Color-matched	●
Heavy-gauge steel construction	●
1/4" panel capability	●
<b>Weights &amp; Dimensions</b>	
Total shipping weight (lbs.)	152
Total appliance weight (lbs.)	141
Overall height (in.)	34-1/8 to 34-1/2
Overall width (in.)	15
Overall depth (in.)	24-1/4
Cutout dimensions H x W x D (in.)	34-1/4 x 15-1/8 x 24-3/4
Clearance for drop-down drawer side	6" or more on right side
Drawer extension for removal	23" or more in front of appliance
Custom panel size H x W (in.)	23-15/16 x 14-5/8
<b>Accessories</b>	
Compactor bags (5 included)	WC60X5017
<b>Warranty</b>	
Full one-year warranty**	●

\* Colors available: SS = Stainless steel, WW = White on white, CC = Bisque on bisque, BB = Black on black.

\*\*See written warranty for details.

## Compactor Dimensions (in inches)



## Disposer Accessories:

Colored sink flanges  
GPF76—White  
GPF78—Bisque

## Compactor Accessories:

New 1/4" panel trim kits (color-matched)  
GPF82S—Stainless steel  
GPF82W—White  
GPF82B—Black

See page 75 for warranty information.

# Washers

## Super and extra-large capacity washers

### WWSR4150D

- 3.2 cu. ft. super capacity plus washer
- Variable water levels
- 15 cycles
- 4 wash/spin speed combinations
- Extra Rinse
- Auto presoaks
- GentlePower™ Agitator
- Bleach dispenser
- Fabric softener dispenser

### VBSR3100D

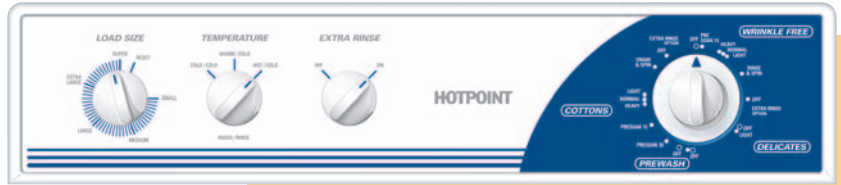
- 3.2 cu. ft. super capacity washer
- 3 water levels
- 10 cycles
- 3 wash/spin speed combinations
- 3 wash/rinse temperature settings
- FlexCare™ Agitator
- Bleach dispenser

### WWSR1070D

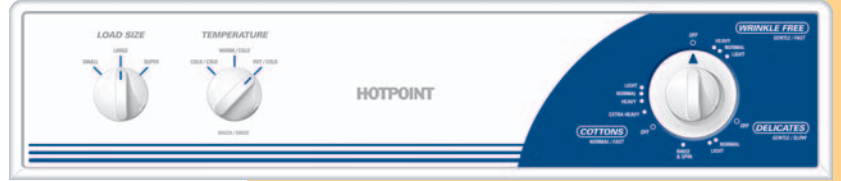
- 3.2 cu. ft. super capacity washer
- 3 water levels
- 7 cycles
- 1 wash/spin speed combination
- 3 wash/rinse temperature settings
- FlexCare Agitator

### VBXR1090D

- 2.7 cu. ft. extra-large capacity washer
- 3 water levels
- 9 cycles
- 1 wash/spin speed combination
- 3 wash/rinse temperature settings
- FlexCare Agitator
- Bleach dispenser



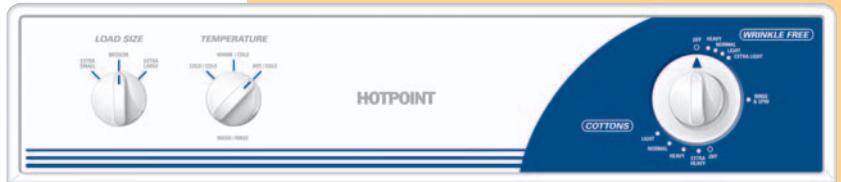
WWSR4150D



VBSR3100D



WWSR1070D



VBXR1090D



WWSR4150D



### Extra Rinse option

Ideal for those with sensitive skin, this option removes excess detergent residue from fabric fibers.



### Automatic presoak cycle

This option soaks heavily soiled clothes for 15 or 30 minutes, then automatically goes into the cotton wash cycle. No need for a second trip to the washer!



### GentlePower agitator

This dual-action agitator maximizes wash performance with a rotating spiral and flexible fins. The upper spiral continually circulates the wash load, pulling clothes from the top and lifting them from the bottom. The bottom fins move back and forth to provide gentle, effective cleaning action.



### Delicate cycle

This extra-care setting uses gentle agitation to protect fine handwashables such as lingerie and sweaters.

Not all features available on all models. Complete features and specifications on page 58.

## Super and extra-large capacity dryers

### NWSR483EB Electric NWSR483GB Gas

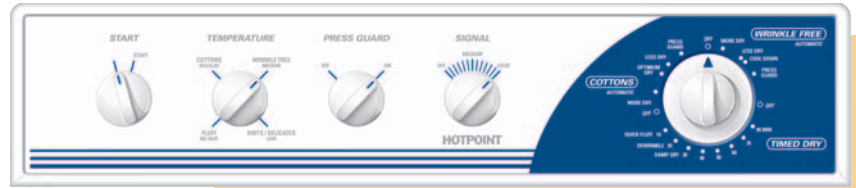
- 7.0 cu. ft. super capacity dryer
- Automatic dry control
- 8 cycles
- 4 heat selections
- Press Guard Wrinkle Care
- Upfront lint filter
- Variable end-of-cycle signal
- Dryer interior light
- Reversible door

### NBXR463EB Electric NBXR463GB Gas

- 6.0 cu. ft. extra-large capacity dryer
- Automatic dry control
- 6 cycles
- 4 heat selections
- Upfront lint filter
- Reversible door

### NVLR333EE Electric NVL333GE Gas

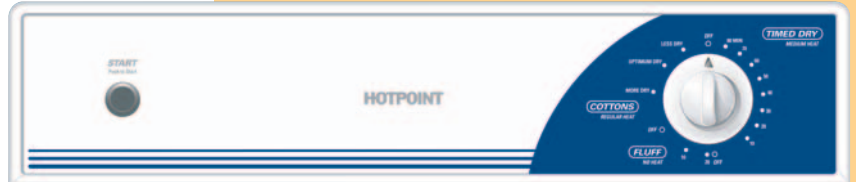
- 5.8 cu. ft. extra-large capacity dryer
- Automatic dry control
- 3 cycles
- 3 heat selections
- Upfront lint filter
- Reversible door



NWSR483EB (Electric), NWSR483GB (Gas)



NBXR463EB (Electric), NBXR463GB (Gas)

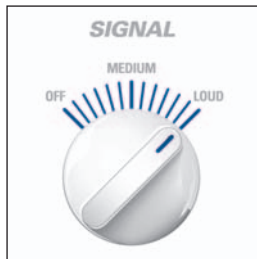


NVLR333EE (Electric), NVL333GE (Gas)



#### Press Guard Wrinkle Care

This no-heat tumble cycle saves you the trouble of rushing to remove clothes by signaling every five minutes, for up to 20 minutes, after clothes are dry.



#### Variable end-of-cycle signal

Great when you're busy, this audible signal reminds you when clothes are dry. The signal volume can be adjusted according to your needs, whether your laundry room is next to the nursery or in the basement.



#### Automatic dry control

For each load, the dryer monitors the temperature with an automatic thermostat and ends the cycle when clothes are properly dried.



#### Dryer interior light

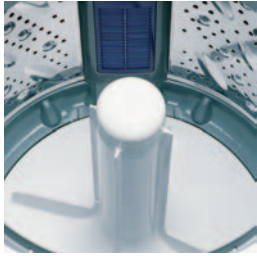
This brilliant light puts small items like socks and washcloths into clear view, making unloading faster and easier.



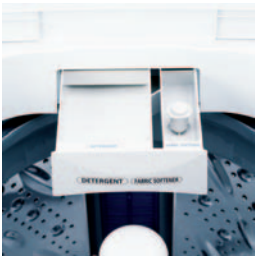
NWSR483EB/GB

Not all features available on all models.  
Complete features and specifications on page 58.

# GE Spacemaker®: Portable/Stationary Models



**Stainless steel tub**  
Extra-large 2.5 cu. ft. stainless steel tub with lint filter.



**Fabric softener dispenser**  
Easily accessible detergent/fabric softener dispenser.

## Portable/Stationary topload washer

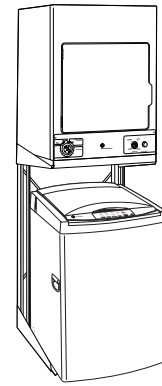


### WSLP1100DWW (Portable)

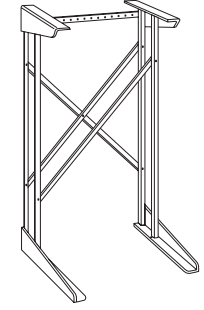
- White on white
- 24" 2.5 cu. ft. extra-large capacity
- 120V
- Stainless steel basket
- 1 wash/spin speed
- 10 cycles
- 3 wash/rinse temperatures
- 4 water levels
- Load sensing
- Electronic controls
- Digital countdown
- Bifold lid
- Bleach dispenser
- Fabric softener dispenser
- Lint filters
- Easy-roll rollers

### WLSL1100DWW (Stationary) (not shown)

- White on white
- 120V



DSDR24D shown with WSLP1100D Washer and DSKS433EB Dryer



### DSDR24D

- Stack Rack White (only) (Available at additional cost)
- For use with portable or stationary Spacemaker washers and stationary dryers

## Stationary dryers



### DSKS433EB

- White on white or White with black controls
- 3.6 cu. ft. capacity
- 240V
- 3 drying cycles
- 4 heat selections

### WMK-35 Wall-Mount Kit

(Available at additional cost, applies *only* to stationary models.)



### DSKS333ECWW

- White on white
- 3.6 cu. ft. capacity
- 120V
- 3 drying cycles
- 3 heat selections
- 15-amp dryer cord attached

### WMK-35 Wall-Mount Kit

(Available at additional cost, applies *only* to stationary models.)

## Portable dryers



### DSKP333ECWW (not shown)

- White on white
- 3.6 cu. ft. capacity
- 120V
- 3 drying cycles
- 3 heat selections
- 15-amp dryer cord attached





**WSM2700D Electric**  
**WSM2780D Gas**

- White on white  
(Electric model also available in Bisque on bisque)
- Full size 27" 2.7 cu. ft. extra-large capacity washer features 3 cycles, 3 wash/rinse temperature options, 3 water level selections
- Dryer features Automatic dry control as well as 4 cycles



**WSM2420D Electric**  
**WSM2480D Gas**

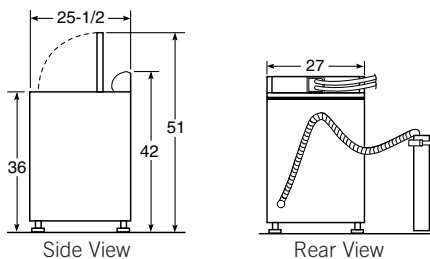
- White on white  
(Electric model also available in Bisque on bisque)
- 24" 1.9 cu. ft. large capacity washer features 3 cycles, 3 wash/rinse temperature options, 3 water level selections
- Dryer features Automatic dry control as well as 4 cycles

# Washer and Dryer Specifications

Washers	VWSR4150D	VBSR3100D	VVSR1070D	VBXR1090D
<b>Capacity</b>				
Capacity cu. ft.	3.2 Super Plus	3.2 Super Plus	3.2 Super	2.7 Extra-large
<b>Controls</b>				
Rotary	●	●	●	●
Wash/rinse temps	3	3	3 timer	3
Water levels	Variable	3	3	3
<b>Wash system</b>				
Wash basket	ExtrAction™	ExtrAction	PermaTuf® II	PermaTuf II
Wash mechanism	GentlePower™ Agitator	GentlePower Agitator	FlexCare™ Agitator	FlexCare Agitator
Wash/spin combinations	4	3	1	1
<b>Drive system</b>				
Transmission	Steel	Steel	Steel	Steel
Maximum spin speed	630 RPM	630 RPM	630 RPM	630 RPM
<b>Dispensers</b>				
Bleach	●	●		●
Fabric softener	●			
<b>Wash cycles</b>				
Number of cycles	15	10	7	9
<b>Cottons regular</b>				
Auto soak (30 min.)	●		●	●
Auto soak (15 min.)	●			
Extra heavy soil		●		●
Heavy soil	●	●	●	●
Medium soil	●	●	Normal	●
Light soil	●	●	●	●
<b>Easy care</b>				
Auto soak (15 min.)	Wrinkle free	Wrinkle free	Wrinkle free	Wrinkle free
Auto soak (15 min.)	●			
Heavy soil		●		●
Medium soil	●	●	Normal	●
Light soil	●	●	●	●
Extra light soil				●
<b>Casuals-pulsed</b>				
Heavy soil				●
Medium soil				●
Light soil				●
<b>Delicate</b>				
Medium soil	●	●	Knits	
Light soil	●	●	●	
<b>Special cycles</b>				
2nd rinse	Cottons & easy care			
Rinse & spin (Quick rinse)	●	●		
Prewash				
Spin Only	●			
<b>Additional features</b>				
Quiet performance	Quiet-by-Design™	Quiet-by-Design™	Quiet-by-Design™	Quiet-by-Design™
Instructions/guides	Color lid instructions	Color lid instructions	Color lid instructions	Color lid instructions
<b>Appearance</b>				
Colors available*	WW	WW	WW	WW/CC
<b>Weights &amp; dimensions</b>				
Approx. shipping weight (lbs.)	160	160	160	160
H x W x D in inches	42 x 27 x 25-1/2	42 x 27 x 25-1/2	42 x 27 x 25-1/2	42 x 27 x 25-1/2

\*WW = White on white, CC = Bisque on bisque

## Washer Dimensions (in inches)



## Washer specifications:

**Electrical rating:** 115V, 60 Hz, 10 Amps

**Circuit requirements:** An individual properly grounded branch circuit, with a three-prong grounding-type receptacle protected by a 15- or 20-amp circuit breaker or time-delay fuse, is required.

**Washer Note:** Washer wall outlet must be located within 36" of service cord entry. Wall outlet must not be located behind dryer.

**Dryer Note:** Dryer wall outlet must be located within 36" of service cord entry and accessible when dryer is mounted in position.

See page 75 for warranty information.

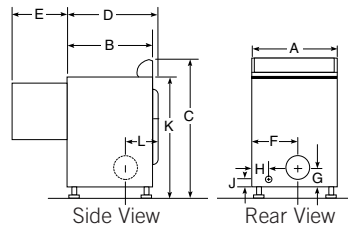
Dryers	Electric	NWSR483EB	NBXR463EB	NVLR333EE
	Gas	NWSR483GB	NBXR463GB	NVLR333GE
<b>Capacity</b>				
Capacity cu. ft.		7.0 Super	6.0 Extra-large	5.8 Extra-large
<b>Controls</b>				
Rotary		●	●	●
Heat selections		4	4	3
<b>Dry system</b>				
Temperature sensor		Thermostat	Thermostat	Thermostat
Dryer drum		DuraDrum™	DuraDrum™	DuraDrum™
Drum baffles		White	White	White
<b>Signal</b>				
End-of-cycle		Variable		
<b>Dry cycles</b>				
Number of cycles		8	6	3
<b>Cottons regular</b>				
Automatic dry cottons		●	●	●
Optional		●		
<b>Easy care</b>				
Automatic dry easy care		●	●	●
Wrinkle care		●		
<b>Timed dry</b>				
Maximum time available		80 Mins.	80 Mins.	70 Mins.
<b>Special cycles</b>				
Dewrinkle		●	●	
<b>Additional features</b>				
Quiet performance		Quiet-by-Design™	Quiet-by-Design™	Quiet-by-Design™
Dryer interior light		●		
<b>Appearance</b>				
Colors Available*		WW	WW	WW/CC
<b>Weights &amp; dimensions</b>				
Approx. shipping weight - elect.		119	112	112
Approx. shipping weight - gas		125	115	115
H x W x D in inches		42 x 27 x 25-1/2**	42 x 27 x 25-1/2**	42 x 27 x 25-1/2**

\*WW = White on white, CC = Bisque on bisque.

\*\*24-1/2" from the edge of the side panel to the front.

25-1/2" from front to edge of end caps.

## Dryer dimensions (in inches)



	Extra-Large 5.8 and 6.0 Capacity	Super 7.0 Capacity
A	27	27
B	25-1/2*	25-1/2*
C	42	42
D	25-3/4	28-1/4
E	23-1/2	23-1/2
F	11-1/2	11-1/2
G	3-1/2	3-1/2
H	2	2
J	2-1/2	2-1/2
K	36	36
L	5-1/4	8-1/2

\*24-1/2" from the edge of the side panel to the front.  
25-1/2" from front to edge of end caps.

## Circuit requirements:

**Electric:** An individual properly grounded branch circuit protected by a 30-amp circuit breaker or time-delay fuse, is required.

**Gas:** An individual, properly grounded branch circuit with a three-prong grounding-type receptacle, protected by a 15- or 20-amp circuit breaker or time-delay fuse, is required.

**Gas (BTU/HR):** 22,000 for 5.8, 6.0 and 7.0 cu. ft. dryers. Factory-equipped for natural gas. Tested for LP gas. LP gas supply requires an optional conversion kit: 5.8, 6.0 and 7.0 cu. ft. model kit is WE25X0217. Have a qualified gas technician install a conversion kit. See dryer ducting information for proper installation.

## Electric dryer rating:

240V, 5600W, 24A, 60 Hz-5.8, 6.0, 7.0 cu. ft. dryers.  
208V, 4400W, 22A, 60 Hz-5.8, 6.0, 7.0 cu. ft. dryers

## Gas dryer electric rating:

120V, 60 Hz, 6A

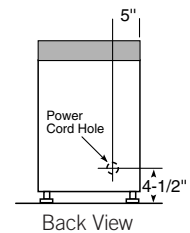
## Dryer Specifications

### Exhaust Options:

**Electric:** 4-way via rear, right, left and bottom.  
**Gas:** For 5.8, 6.0 and 7.0 cu. ft. dryers, when viewed from the front of the unit, exhaust 3-way via rear, left and bottom. Dryer is shipped exhausted to the rear. Alternate exhausting knockouts are supplied.

## Power Cord Locations

5.8, 6.0 and 7.0 cu. ft. Dryers



Listed by Underwriters Laboratories

# Washer and Dryer Specifications

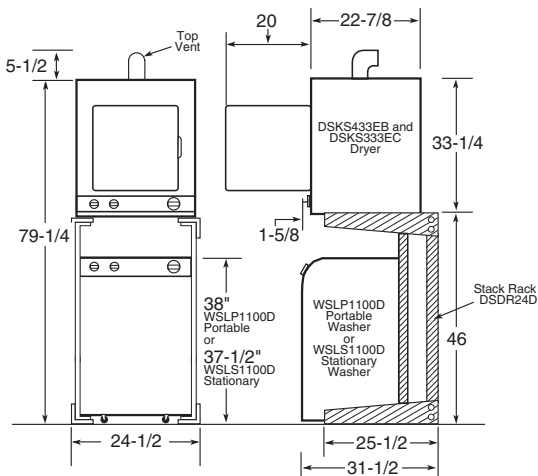
GE Spacemaker® Portable/Stationary Washers	Stationary WLSL1100D	Portable WSLP1100D
<b>Capacity</b>		
Capacity (cu. ft.)	2.5 Extra-Large	2.5 Extra-Large
<b>Features</b>		
Wash/spin speed combinations	1	1
Wash/rinse temperatures	3	3
Water levels	4	4
Number of cycles	10	10
Cycle countdown	Digital	Digital
Regular		
Heavy Soil	●	●
Medium Soil	●	●
Perm. Press		
Medium Soil	●	●
Light Soil	●	●
Easy Care		
Delicates	●	●
Spin only	●	●
One touch load sensing	●	●
Automatic cool down	●	●
Bleach dispenser	●	●
Fabric softener dispenser	●	●
Automatic detergent dispenser	●	●
Lint filter	2 Removable	2 Removable
Washer lid type	Bi-fold	Bi-fold
Quiet pump	●	●
Easy-roll rollers	●	●
Unicouple connector	●	●
Basket material	Stainless Steel	Stainless Steel
<b>Appearance</b>		
Colors available*	WW	WW, WH
<b>Weights &amp; Dimensions</b>		
Circuit requirements	120V, 60 Hertz, 15 or 20 Amps	
Dimensions (HxWxD in inches)**	37-1/2† x 23-5/8 x 26	38 x 23-5/8 x 26
Approx. shipping wt. (lbs.)	114	116

\* Colors available: WW = White on white, WH = White with black controls.  
 \*\* Depth measured from front of control knob.  
 † With leveling legs extended.

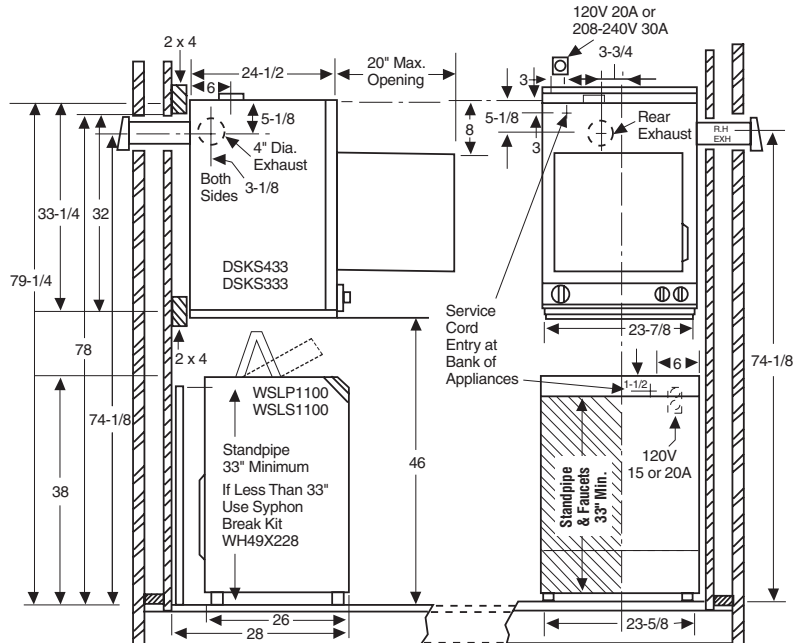
GE Spacemaker® Portable/Stationary Dryers	DSKS433EB	DSKP333EC* DSKS333EC
<b>Capacity</b>		
Capacity (cu. ft.)	3.6	3.6
<b>Features</b>		
Dry control	Automatic	Automatic
Heat selections	4	3 (timer)
Number of dry cycles	3	3
Auto. Perm. Press & Delicate	●	
Auto. Reg.		●
Timed Regular (min.)	140	150
Air Fluff (min.)	(Heat Selection)	30
Separate start switch	●	●
Control location	Mid-Band	Top
Lint filter	Upfront	Mid-Band
<b>Appearance</b>		
Colors available**	WW, WH	WW
<b>Weight &amp; Dimensions</b>		
Exhaust options***	4-Way	4 way – Rear, Bottom, Left, Right 4 way – Rear, Top, Left, Right
Circuit requirements	240/208V†, 60 Hertz, 30 Amp	120V, 60 Hertz, 15 Amp
Power cord	No Cord	6 feet
Dimensions (HxWxD in inches)	33-1/4 x 23-7/8 x 24-1/2	33-1/4 x 23-7/8 x 24-1/2
Wall-mount kit (available at additional cost)	WMK-35	WMK-35
Approx. shipping wt. (lbs.)	108	108

\* DSKP333EC dryer comes equipped with casters and stationary leveling legs.  
 \*\* Colors available: WW = White on white, WH = White with black controls.  
 \*\*\* DSKS433EB and DSKP333EC are shipped exhausted through the top.  
 † Rear-mounted outlet on DSKS433EB (120V, 60 Hertz, 10 Amp) DSKS433EB and DSKS333EC approved for use with washer/dryer stack rack DSDR24D.  
**Circuit Requirements:** An individual, properly grounded branch circuit of the proper voltage and frequency as specified on the rating plate, with no other appliances or fixtures in circuit, is required.

Top Vent Installation Dimensions (in inches)



Wall-Mount Installation Dimensions (in inches)



# Washer and Dryer Specifications

## GE® Unitized Spacemaker® washers and dryers

Electric	WSM2700D		WSM2420D	
	Washer	Dryer	Washer	Dryer
<b>Capacity</b>	X-Large/2.7	X-Large/2.7	Compact/1.9	Compact/1.9
<b>Features</b>				
Wash/spin speed combinations	1		2	
Wash/rinse temperatures	3		3	
Water levels	3		3	
Number of wash cycles	3		3	
Regular	●		●	
Perm. Press	●		●	
Delicates	●		●	
Unbalanced load control	●		●	
Lint filter	●		●	

<b>Dryer</b>				
<b>Features</b>				
Automatic dry control		●		●
Number of dry cycles		4		4
Auto Regular		●		●
Auto Perm Press				●
Delicates		●		
Timed		●		●
Air Fluff		●		●
Control location		Mid-Band		Mid-Band
Exhaust options		Rear		Rear/Sides

### Appearance

Colors available†	WW, CC WW	WW, CC WW

### Weight & Dimensions

Dimensions (HxWxD in inches)	75-1/2 x 27 x 30-13/16*	71-3/4 x 23-7/8 x 27-1/4*
Approx. shipping wt. (lbs.)	300	238

\*Depth dimension assumes water hook-up is recessed in the wall.

†WW = White on white, CC = Bisque on bisque

**Note:** The third prong on the WSM2780W plug configuration is a flat spade type rather than a typical round probe. It requires a matching wall outlet.

### Electrical requirements

**WSM2700D: Electric dryer**—This appliance should be connected to an individual, properly-grounded branch circuit with 120/240V or 120/208V single-phase 60 Hz electrical service and should be protected by 30-amp time-delay fuses or circuit breakers. This appliance is manufactured with neutral connected to the frame. Power cord should be purchased separately.

**WSM2420D: Electric dryer**—This appliance should be connected to an individual, properly-grounded branch circuit with 120/240V or 120/208V single-phase 60 Hz electrical service and should be protected by 30-amp time-delay fuses or circuit breakers. This appliance is manufactured with neutral connected to the frame. Power cord should be purchased separately.

**NOTE: THESE APPLIANCES ARE NOT APPROVED FOR 120-VOLT OPERATION.**

**WSM2480D: Gas dryer**—This appliance should be connected to an individual, properly-grounded branch circuit with a three-prong grounding-type receptacle and 120-volt single-phase 60 Hz electrical service and should be protected by 15 or 20-amp time-delay fuses or circuit breakers. This appliance is equipped with a 6-foot long flexible U.L. listed 20-amp power cord to match a 15-amp receptacle.

**Gas rated** input 10,500 BTU/HR. Factory equipped for natural gas. Tested for LP gas.

**WSM2780D: Gas dryer**—This appliance should be connected to an individual branch circuit with 120-volt single-phase 60 Hz electrical service and should be protected by 20-amp time-delay fuses or circuit breakers. This appliance is equipped with a 4-foot long flexible U.L. listed 20-amp power cord to match a 20-amp receptacle.

**WSM2780D Gas Rated** input 20,000 BTU/HR. Factory equipped for natural gas.

**LP gas supply requires a conversion kit.**

Kits:  
WSM2780D-WE25X10017  
WSM2480D-WE25X0219

Have a qualified gas technician install a conversion kit before use.

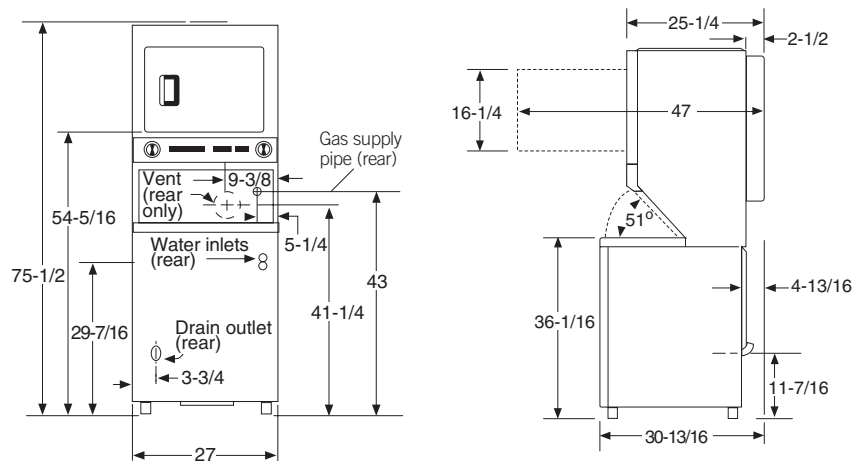
### Exhaust information

See "Dryer Exhausting Information" on page 61.

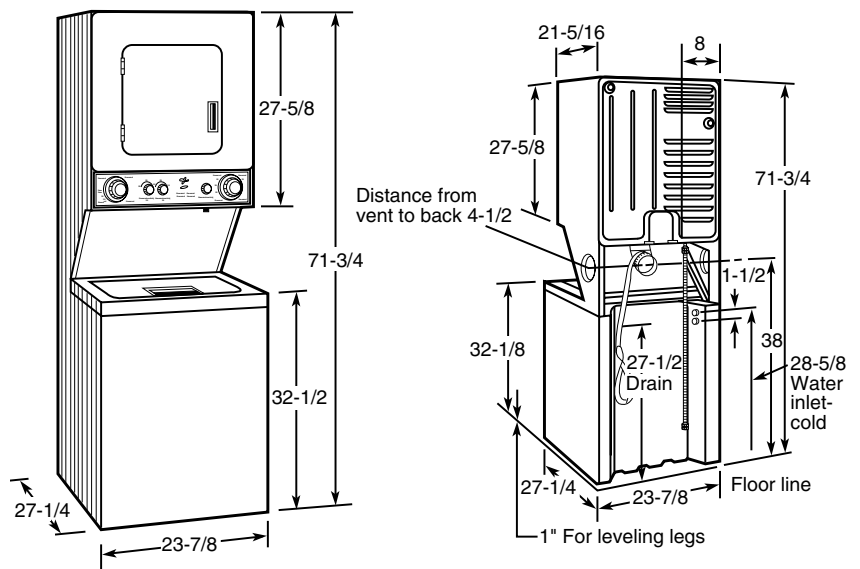
For complete information see installation instructions packed with the product.

See page 75 for warranty information.

## Models WSM2700D and WSM2780D Dimensions (in inches)



## Models WSM2420D and WSM2480D Dimensions (in inches)



## Dryer exhausting information

For complete information see installation instructions packed with dryer.

### Important note:

GE Kit Number 14-A018 needed when converting rear exhaust to bottom or side. (On Extra-large (5.7) capacity models only.)

### Ducting materials

For best performance, this dryer should be vented with 4" diameter all rigid metal exhaust duct. If "all rigid metal" duct cannot be used, then "flexible all metal" venting can be used, but it will reduce the maximum recommended duct length. The following kit or parts are available from your local service organization.

Kit WX8X75—7' aluminum duct and 4' hood, short tail.  
(OR individual parts):

WX8X65 7' aluminum flex duct only  
WX8X58 4' clamps (2)  
WX8X67 4' exhaust hood

See installation instructions for complete information.

### Exhaust length calculation:

1. Determine the number of 90° turns needed for your installation. If you exhaust to the side or bottom of dryer, add one turn.

2. The maximum length of 4' rigid (aluminum or galvanized) duct which can be tolerated is shown in the table. The maximum lengths for flexible ducts are less than for rigid duct. See table in installation instructions. A turn of 45° or less may be ignored. Two 45° turns within the duct length should be treated as a 90° elbow. A turn over 45° should be treated as a 90° elbow.

**Exhausting the dryer to the outside is strongly recommended** to prevent large amounts of moisture and lint from being blown into the room. Gas dryers or any dryer located in a closet must be exhausted to the outside.

**Caution:** For personal safety do not terminate exhaust into a chimney, under any enclosed house floor (crawl space), or into an attic, since the accumulated lint could create a fire hazard or moisture could cause damage. Never terminate the exhaust into a common duct or plenum with a kitchen exhaust, since the combination of lint and grease could create a fire hazard.

Exhaust ducts should be terminated in a dampered wall cap to prevent back drafts, bird nesting, etc. The wall cap must also be located at least 12" above the ground or any other obstruction with the opening pointed down. Other terminations, such as louvered wall boxes, are acceptable provided they are equivalent to a 4" opening dampered wall cap.

## Special installation requirements

### Alcove or closet installation:

- If your dryer is approved for installation in an alcove or closet, it will be stated on a label on the dryer back.
- The dryer **MUST** be exhausted to the outdoors. See EXHAUST INFORMATION above and installation instructions.
- Minimum clearances between dryer cabinet and adjacent walls or other surfaces are:
  - 0" either side
  - 3" front and rear
- Minimum vertical space from floor to overhead cabinets, ceilings, etc. is 52".
- Closet doors must be louvered or otherwise ventilated and must contain a minimum of 60 sq. in. of open area equally distributed. If this closet contains both a washer and a dryer, doors must contain a minimum of 120 sq. in. of open area equally distributed.
- The closet should be vented to the outdoors to prevent gas pocketing in case of a gas leak in the supply line.
- No other fuel-burning appliance shall be installed in the same closet with the dryer.

### Bathroom or bedroom installation:

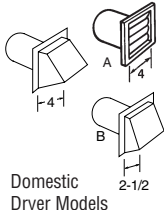
- The dryer **MUST** be exhausted to the outdoors. See installation instructions.
- The installation must conform with the local codes, or in the absence of local codes, with the National Fuel Gas Code, ANSI Z223.

### Minimum clearances other than alcove or closet installations

- Minimum clearances to combustible surfaces:
  - 0" both sides
  - 3" rear

For more information on venting kits and accessories, please call 1-800-GE-CARES.

## Dryer Exhausting Information—Use Metal Duct Only Vertical and Horizontal Ducting



	Number of 90° Turns	Best Performance			
		Maximum Length of 4" Dia. Rigid Metal Duct		Maximum Length of 4" Dia. Flexible Metal Duct	
		Exhaust Hood Type		Exhaust Hood Type	
		A 4" Opening	B 2-1/2" Opening	A 4" Opening	B 2-1/2" Opening
Domestic Dryer Models					
	0	90 ft.	60 ft.	55 ft.	45 ft.
	1	60 ft.	45 ft.	40 ft.	30 ft.
7.0, 6.0 and 5.8 Capacity Models	2	45 ft.	35 ft.	30 ft.	20 ft.
all Electric Dryers	3	35 ft.	25 ft.	20 ft.	15 ft.
	4	25 ft.	15 ft.	15 ft.	10 ft.
7.0, 6.0 and 5.8 Capacity Models	0	90 ft.	60 ft.	55 ft.	45 ft.
	1	60 ft.	45 ft.	40 ft.	30 ft.
all Gas Dryers <sup>3</sup>	2	45 ft.	35 ft.	30 ft.	20 ft.
	35 ft.	25 ft.	20 ft.	15 ft.	
Spacemaker <sup>®</sup> Models					
DSKS433EB	0	46 ft.	37 ft.	30 ft.	24 ft.
DSKS333EC	1	38 ft.	30 ft.	25 ft.	20 ft.
DSKP333EC	2	31 ft.	22 ft.	20 ft.	14 ft.
WSM2780D	3	24 ft.	15 ft.	16 ft.	10 ft.
	0	56 ft.	42 ft.	30 ft.	22 ft.
	1	46 ft.	36 ft.	22 ft.	14 ft.
Spacemaker Model WSM2700D	2	34 ft.	28 ft.	16 ft.	10 ft.
	3	32 ft.	18 ft.	10 ft.	5 ft.
Spacemaker Models					
WSM2420D	0	43 ft.	36 ft.	30 ft.	24 ft.
	1	33 ft.	26 ft.	24 ft.	18 ft.
WSM2480D	2	23 ft.	16 ft.	16 ft.	10 ft.



Listed by Underwriters Laboratories

# GE® Air Conditioning

## GE ENERGY STAR®-Qualified Electronic Room Air Conditioners



- ENERGY STAR®-qualified
- 3 Cool/3 fan speeds
- Electronic thermostat with remote
- Slide-out chassis
- 24-Hour timer
- Auto circulaire™
- Energy saver feature
- Ez mount window kit
- Power interruption restart



### AGM24DH

- 23,800/23,300 BTU, 9.4/9.4 EER, 230/208 Volts (Top discharge unit)

### AGM18DH

- 17,800/17,300 BTU, 10.7/10.7 EER, 230/208 Volts

### AGM14AH

- 13,800 BTU, 10.8 EER, 115 Volts

### AGM12AH

- 12,000 BTU, 10.8 EER, 115 Volts

### AGM10AH

- 10,000 BTU, 10.8 EER, 115 Volts



- ENERGY STAR-qualified
- 3 cool/3 fan speeds
- Electronic thermostat with remote
- Slide-out chassis
- 24-hour timer
- Auto Circulaire
- Energy Saver feature
- EZ Mount window kit
- Power interruption restart



### AGM08LH

- 8,000 BTU, 10.8 EER, 115 Volts

### AGM06LH

- 5,950 BTU, 10.8 EER, 115 Volts



- ENERGY STAR-qualified
- 3 cool/3 fan speeds
- Electronic thermostat with remote
- Fixed chassis
- 24-hour timer
- Energy Saver feature
- EZ Mount window kit
- Power interruption restart



### AGM05LH

- 5,200 BTU, 10.7 EER, 115 Volts

## GE Electronic Room Air Conditioners



- 3 cool/3 fan speeds
- Electronic thermostat with remote
- Slide-out chassis
- 12-hour timer
- Auto Circulaire
- Energy saver feature
- EZ Mount window kit
- Power interruption restart

### AGQ24DH

- 23,800/23,300 BTU, 8.5/8.5 EER, 230/208 Volts

### AGQ18DH

- 18,000/17,500 BTU, 9.7/9.7 EER, 230/208 Volts

### AGQ14AH

- 13,800 BTU, 10.0 EER, 115 Volts

### AGQ12AH

- 12,000 BTU, 9.8 EER, 115 Volts  
(This model does not include Auto Circulaire or Energy saver feature)

### AGQ12DH

- 12,000/11,500 BTU, 9.8/9.8 EER, 230/208 Volts  
(This model does not include Auto Circulaire or Energy saver feature)

### AGQ10AH

- 10,000 BTU, 9.8 EER, 115 Volts  
(This model does not include Auto Circulaire or Energy saver feature)

### AGQ08AH

- 8,000 BTU, 9.8 EER, 115 Volts  
(This model does not include Auto Circulaire or Energy saver feature)



- 3 cool/3 fan speeds
- Electronic thermostat with remote
- Fixed chassis
- 12-hour timer
- EZ Mount window kit
- Power interruption restart

### AGQ06LH

- 6,000 BTU, 9.7 EER, 115 Volts

- 3 cool/3 fan speeds
- Electronic thermostat with remote
- Fixed chassis
- 12-hour timer
- EZ Mount window kit
- Power interruption restart

### AGQ05LH

- 5,150 BTU, 9.7 EER, 115 Volts

# GE® Air Conditioning

## GE ENERGY STAR®-Qualified Mechanical Room Air Conditioners



- 3 cool/2 fan speeds
- 8-position thermostat
- Slide-out chassis
- Auto Circulaire™
- Energy Saver feature
- EZ Mount window kit

### **AGV24DH**

- 23,800/23,300 BTU, 8.5/8.5 EER, 230/208 Volts

### **AGV14AH**

- 13,800 BTU, 10.0 EER, 115 Volts

### **AGV18DH**

- 18,000/17,500 BTU, 9.7/9.7 EER, 230/208 Volts



- 3 cool/2 fan speeds
- 8-position thermostat
- Slide-out chassis
- EZ Mount window kit

### **AGV12AH**

- 12,000 BTU, 9.8 EER, 115 Volts

### **AGV08AH**

- 8,000 BTU, 9.8 EER, 115 Volts

### **AGV10AH**

- 10,000 BTU, 9.8 EER, 115 Volts



## GE Mechanical Room Air Conditioners



- 3 cool/2 fan speeds
- 8-position thermostat
- Fixed chassis
- EZ Mount window kit

### AGV06LH

- 6,000 BTU, 9.7 EER, 115 Volts



- 2 cool/2 fan speeds
- Adjustable thermostat
- Fixed chassis
- EZ Mount window kit

### AGV05LH

- 5,150 BTU, 9.7 EER, 115 Volts

- ENERGY STAR®-qualified
- 3 cool/2 fan speeds
- 8-position thermostat
- Fixed chassis
- EZ Mount window kit



### AGF05LH

- 5,200 BTU, 10.7 EER, 115 Volts

# GE® Air Conditioning

## GE Slide-Aire



- 10-position thermostat
- Vertical slider kit panel
- Multiple cooling and fan speeds
- Four-way adjustable air discharge

### AGX10AH

- 10,000 BTU, 9.5 EER, 115 Volts

### AGX08FH

- 8,000 BTU, 9.5 EER, 115 Volts

## GE Heat/Cool Series



- Multiple cooling/heating speeds
- Vent/Exhaust
- Adjustable thermostat
- Auto Circulaire™
- Four-way adjustable air discharge
- Easy access filter

### AGE21DH

- 21,000/20,500 BTU, 8.5/8.5 EER,  
11,600/9,400 BTU Heat,  
230/208 Volts

### AGE18DH

- 18,000/17,500 BTU, 9.7/9.7 EER,  
11,600/9,400 BTU Heat,  
230/208 Volts

### AGE14DH

- 14,000/13,500 BTU, 9.7/9.7 EER,  
11,600/9,400 BTU Heat,  
230/208 Volts

### AGE12DH

- 12,000/11,500 BTU, 9.8/9.8 EER,  
11,200/9,200 BTU Heat,  
230/208 Volts  
(This model does not include  
Auto Circulaire)

### AGE07AH

- 7,000 BTU, 9.7 EER,  
3,850 BTU Heat, 115 Volts  
(This model does not include  
Auto Circulaire)

## GE Dehumidifiers



- ENERGY STAR®-qualified
- Automatic humidistat control
- Electronic controls
- Automatic shut-off system with bucket full indicator
- Easy roll casters
- External drain connector
- Automatic defrost control

### AHG50LH

- 50 pints per day

### AHG40LH

- 40 pints per day

### AHG30LH

- 30 pints per day  
(Not an ENERGY STAR model)



Control panel

## GE Portable



- Contemporary design
- Electronic controls
- Digital temperature readout
- 3 cool/3 fan speeds
- 24-hour timer
- Auto Circulaire
- Easy roll casters
- Adjustable exhaust hose
- Self evaporating condensate removal

### APH10AA

- 10,000 BTU, 120 Volts



Control panel

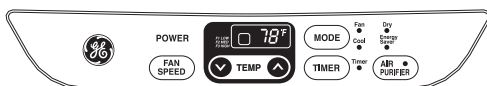
## GE Low Profile Air Conditioner



- Contemporary design
- Electronic controls
- Digital temperature readout
- 3 cool/3 fan speeds
- 12-hour timer

### AGP07LH

- 7,000 BTU, 9.7 EER, 115 Volts



Control panel

# GE® Built-In Air Conditioning

## GE Standard-Mount Electronic Cool Only



- ENERGY STAR®-qualified
- Electronic control with remote
- Electronic digital thermostat
- Four-way air direction
- Up-front, washable air filter
- 3 cool/3 fan speeds
- Power interruption restart



- **AJCQ06LCB**  
● 6,000 BTU, 10.0 EER, 115 Volts
- **AJCQ08ACB**  
● 8,000 BTU, 9.5 EER, 115 Volts
- **AJCQ10ACB**  
● 9,900 BTU, 9.5 EER, 115 Volts

- **AJCQ10DCB**  
● 9,900/9,700 BTU, 9.5/9.5 EER, 230/208 Volts
- **AJCQ12DCB**  
● 11,600/11,400 BTU, 9.5/9.5 EER, 230/208 Volts

## GE Standard-Mount Cool Only



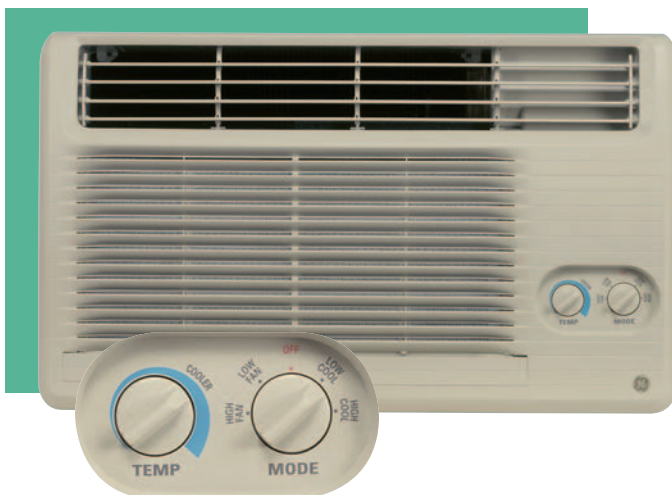
- ENERGY STAR®-qualified
- Mechanical controls
- Variable position thermostat
- Four-way air direction
- Up-front, washable air filter
- 2 cool/2 fan speeds



- **AJCS06LCB**  
● 6,000 BTU, 10.0 EER, 115 Volts
- **AJCS08ACB**  
● 8,000 BTU, 9.5 EER, 115 Volts
- **AJCS10ACB**  
● 9,900 BTU, 9.5 EER, 115 Volts
- **AJCS09DCB**  
● 8,900/8,700 BTU, 9.5/9.5 EER, 230/208 Volts

- **AJCS10DCB**  
● 9,900/9,700 BTU, 9.5/9.5 EER, 230/208 Volts
- **AJCS12DCB**  
● 11,600/11,400 BTU, 9.5/9.5 EER, 230/208 Volts

## GE High-Mount Cool Only



- ENERGY STAR®-qualified
- Mechanical controls
- Variable position thermostat
- Four-way air direction
- Up-front, washable air filter
- 2 cool/2 fan speeds



- **AJCH08ACB**  
● 8,000 BTU, 9.5 EER, 115 Volts
- **AJCH10ACB**  
● 9,900 BTU, 9.5 EER, 115 Volts

- **AJCH10DCB**  
● 9,900/9,700 BTU, 9.5/9.5 EER, 230/208 Volts
- **AJCH12DCB**  
● 11,600/11,400 BTU, 9.5/9.5 EER, 230/208 Volts

Complete features and specifications on pages 73.

## GE Standard-Mount Heat/Cool



- Mechanical controls
- Variable position thermostat
- Four-way air direction
- Up-front, washable air filter
- 2 cool/2 heat/2 fan only speeds

### AJES06LSB

- 6,000 BTU cool, 4,100 BTU heat, 10.0 EER rating, 115 Volts

### AJES08ASB

- 8,000 BTU cool, 4,100 BTU heat, 9.5 EER, 115 Volts

### AJES10DSB

- 9,900/9,700 BTU cool, 11,600/9,500 BTU heat, 9.5/9.5 EER, 230/208 Volts

### AJES09DCB

- 8,900/8,700 BTU cool, 11,600/9,500 BTU heat, 9.5/9.5 EER, 230/208 Volts

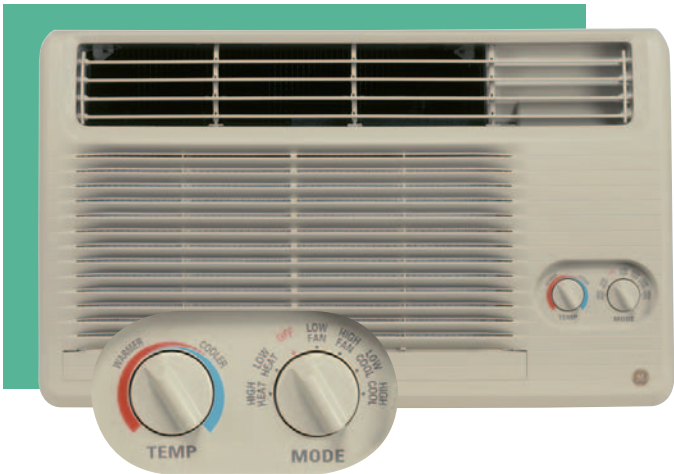
### AJES10DCB

- 9,900/9,700 BTU cool, 11,600/9,500 BTU heat, 9.5/9.5 EER, 230/208 Volts

### AJES12DCB

- 11,600/11,400 BTU cool, 11,600/9,500 BTU heat, 9.5/9.5 EER, 230/208 Volts

## GE High-Mount Heat/Cool

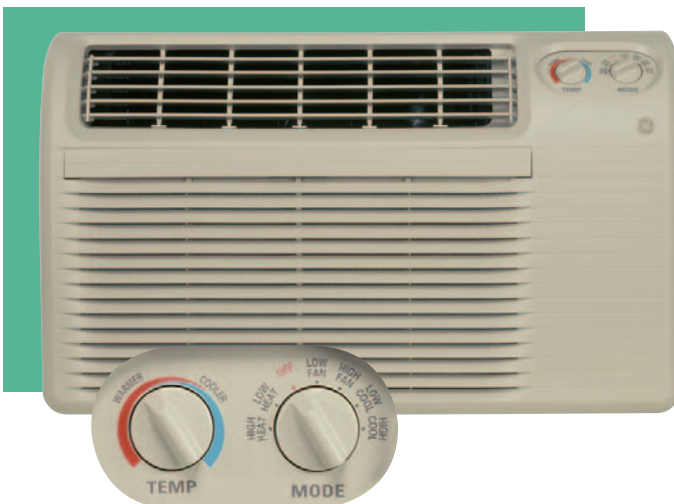


- Mechanical controls
- Variable position thermostat
- Four-way air direction
- Up-front, washable air filter
- 2 cool/2 heat/2 fan only speeds

### AJEH12DCB

- 11,600/11,400 BTU cool, 11,600/9,500 BTU heat, 9.5/9.5 EER, 230/208 Volts

## GE Heat Pump



- Mechanical controls
- Variable position thermostat
- Four-way air direction
- Up-front, washable air filter
- 2 cool/2 heat/2 fan only speeds

### AJHS08ASB

- 8,000 BTU cool, 7,700 BTU pump, 4,100 BTU heat, 9.5 EER, 115 Volts

### AJHS08DCB

- 8,000/7,800 BTU cool, 7,700/7,500 BTU pump, 11,600/9,500 BTU heat, 9.5/9.5 EER, 230/208 Volts

### AJHS10DCB

- 9,900/9,700 BTU cool, 9,700/9,500 BTU pump, 11,600/9,500 BTU heat, 9.5/9.5 EER, 230/208 Volts

Complete features and specifications on pages 73.

# Room Air Conditioners Specifications (Preliminary)

GE® ENERGY STAR®-Qualified Electronic	Deluxe 230 Volt		Deluxe 115 Volt						
	AGM24DH	AGM18DH	AGM14AH	AGM12AH	AGM10AH	AGM08LH	AGM06LH	AGM05LH	
<b>Features</b>									
ENERGY STAR®-qualified	●	●	●	●	●	●	●	●	●
BTUH	23,800/23,300	17,800/17,300	13,800	12,000	10,000	8,000	5,950	5,200	
Voltage	230/208	230/208	115	115	115	115	115	115	115
E.E.R. (BTUH/Watt)	9.4/9.4	10.7/10.7	10.8	10.8	10.8	10.8	10.8	10.8	10.7
Amps	TBD	7.4/7.9	12.0	10.2	8.5	6.8	5.0	4.4	
Watts	TBD	1,660/1,620	1,280	1,110	920	740	550	480	
Plug Type	Perpendicular	Tandem/Right Angle	Parallel/Right Angle	Parallel/Right Angle	Parallel/Right Angle	Parallel/Right Angle	Parallel/Right Angle	Parallel/Right Angle	Parallel/Right Angle
Energy Saver Feature	●	●	●	●	●	●	●	●	●
Dehumidification (pints/hr.)	TBD	4.6	4.6	3.3	3.3	2.3	1.8	1.4	
Auto Circulaire™	●	●	●	●	●	●	●	●	
Fan Speeds (Cool/Fan Only)	3/3	3/3	3/3	3/3	3/3	3/3	3/3	3/3	3/3
CFM (High Shown) (Indoor)	TBD	445	350	300	270	240	210	140	
Vent/exhaust	Exhaust	Exhaust	Exhaust	Exhaust	Exhaust	Exhaust	Exhaust	Exhaust	
Thermostat	Electronic	Electronic	Electronic	Electronic	Electronic	Electronic	Electronic	Electronic	Electronic
Filter Type	Rigid Frame/Slide-Out	Rigid Frame/Slide-Out	Rigid Frame/Slide-Out	Rigid Frame/Slide-Out	Rigid Frame/Slide-Out	Rigid Frame/Slide-Out	Rigid Frame/Slide-Out	Rigid Frame/Slide-Out	Rigid Frame/Slide-Out
Chassis	Slide-Out	Slide-Out	Slide-Out	Slide-Out	Slide-Out	Slide-Out	Slide-Out	Slide-Out	Fixed
Window Mounting	EZ Mount	EZ Mount	EZ Mount	EZ Mount	EZ Mount	EZ Mount	EZ Mount	EZ Mount	EZ Mount
Window Opening Height (min. in inches)	18	18	16	16	16	14	14	13	
Window Opening Width (in inches) min.	29	29	27	27	27	22	22	22	22
max.	41	41	39	39	39	36	36	36	36
Warranty* (Entire Unit)	Full 1-Yr.	Full 1-Yr.	Full 1-Yr.	Full 1-Yr.	Full 1-Yr.	Full 1-Yr.	Full 1-Yr.	Full 1-Yr.	Full 1-Yr.
Warranty* (Sealed Ref. System)	Full 5-Yr.	Full 5-Yr.	Full 5-Yr.	Full 5-Yr.	Full 5-Yr.	Full 5-Yr.	Full 5-Yr.	Full 5-Yr.	Full 5-Yr.
<b>Case Dimensions</b>									
Height (in inches) A	TBD	16-27/32	16-27/32	15	15	13-7/8	13-7/8	12-9/32	
Width (in inches) B	TBD	26	26	23-5/8	23-5/8	18-9/16	18-9/16	18-9/16	
Depth (in inches) C	TBD	24-15/16	24-15/16	20-9/32	20-9/32	19-5/32	19-5/32	13-27/32	
Depth to louvers (in inches) D	TBD	10-5/16	10-5/16	8-5/8	8-5/8	8-1/4	8-1/4	6-1/4	
Net Weight (lbs.)	TBD	124	124	80	79	62	57	46	
Approx. Shipping Weight (lbs.)	TBD	134	134	89	87	68	63	50	

GE Electronic	230 Volt			115 Volt					
	AGQ24DH	AGQ18DH	AGQ12DH	AGQ14AH	AGQ12AH	AGQ10AH	AGQ08AH	AGQ06LH	AGQ05LH
<b>Features</b>									
BTUH	23,800/23,300	18,000/17,500	12,000/11,500	13,800	12,000	10,000	8,000	6,000	5,150
Voltage	230/208	230/208	230/208	115	115	115	115	115	115
E.E.R. (BTUH/Watt)	8.5/8.5	9.7/9.7	9.8/9.8	10.0	9.8	9.8	9.8	9.7	9.7
Amps	12.2/11.0	8.2/8.9	5.5/5.8	12.0	11.0	9.2	7.6	5.8	4.9
Watts	2,480/2,530	1,850/1,800	1,220/1,170	1,380	1,220	1,020	820	620	530
Plug Type	Perpendicular	Tandem	Tandem	Parallel/Right Angle	Parallel/Right Angle	Parallel/Right Angle	Parallel/Right Angle	Parallel/Right Angle	Parallel/Right Angle
Energy Saver Feature	●	●	●	●	●	●	●	●	●
Dehumidification (pints/hr.)	7.5	5.5	3.3	4.6	3.3	3.0	2.3	1.5	1.5
Auto Circulaire™	●	●	●	●	●	●	●	●	●
Fan Speeds (Cool/Fan Only)	3/3	3/3	3/3	3/3	3/3	3/3	3/3	3/3	3/3
CFM (High Shown) (Indoor)	560	440	280	350	310	250	230	140	140
Vent/exhaust	Exhaust	Exhaust	Exhaust	Exhaust	Exhaust	Exhaust	Exhaust	Exhaust	Exhaust
Thermostat	Electronic	Electronic	Electronic	Electronic	Electronic	Electronic	Electronic	Electronic	Electronic
Filter Type	Rigid Frame/Slide-Out	Rigid Frame/Slide-Out	Rigid Frame/Slide-Out	Rigid Frame/Slide-Out	Rigid Frame/Slide-Out	Rigid Frame/Slide-Out	Rigid Frame/Slide-Out	Rigid Frame/Slide-Out	Rigid Frame/Slide-Out
Chassis	Slide-Out	Slide-Out	Slide-Out	Slide-Out	Slide-Out	Slide-Out	Slide-Out	Fixed	Fixed
Window Mounting	EZ Mount	EZ Mount	EZ Mount	EZ Mount	EZ Mount	EZ Mount	EZ Mount	EZ Mount	EZ Mount
Window Opening Height (min. in inches)	18	18	16	16	16	14	14	13	12
Window Opening Width (in inches) min.	29	29	27	27	27	22	22	22	21
max.	41	41	39	39	39	36	36	36	35
Warranty* (Entire Unit)	Full 1-Yr.	Full 1-Yr.	Full 1-Yr.	Full 1-Yr.	Full 1-Yr.	Full 1-Yr.	Full 1-Yr.	Full 1-Yr.	Full 1-Yr.
Warranty* (Sealed Ref. System)	Full 5-Yr.	Full 5-Yr.	Full 5-Yr.	Full 5-Yr.	Full 5-Yr.	Full 5-Yr.	Full 5-Yr.	Full 5-Yr.	Full 5-Yr.
<b>Case Dimensions</b>									
Height (in inches) A	16-27/32	16-27/32	15	15	15	13-7/8	13-7/8	12-9/32	11-1/8
Width (in inches) B	26	26	23-5/8	23-5/8	23-5/8	18-7/16	18-7/16	18-9/16	17-5/16
Depth (in inches) C	28-21/32	24-15/16	20-9/32	20-9/32	20-9/32	19-5/32	19-5/32	13-27/32	12-3/8
Depth to louvers (in inches) D	10-5/16	10-5/16	8-5/8	8-5/8	8-5/8	8-1/4	8-1/4	6-1/4	4-1/8
Net Weight (lbs.)	146	117	80	87	79	69	60	46	40
Approx. Shipping Weight (lbs.)	176	127	89	96	87	75	66	50	44

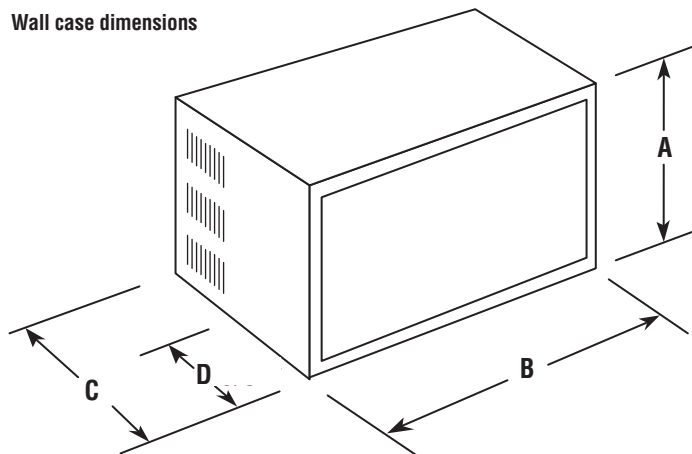
See page 75 for warranty information.

# Room Air Conditioners Specifications (Preliminary)

GE Mechanical	230 Volt		Deluxe 115 Volt	115 Volt						
	AGV24DH	AGV18DH	AGF05LH	AGV14AH	AGV12AH	AGV10AH	AGV08AH	AGV06LH	AGV05LH	
<b>Features</b>										
ENERGY STAR®-qualified			●							
BTUH	23,800/23,300	18,000/17,500	5,200	13,800	12,000	10,000	8,000	6,000	5,150	
Voltage	230/208	230/208	115	115	115	115	115	115	115	
E.E.R. (BTUH/Watt)	8.5/8.5	9.7/9.7	10.7	10.0	9.8	9.8	9.8	9.7	9.7	
Amps	12.2/11.0	8.2/8.9	4.4	12.0	11.0	9.2	7.6	5.8	4.9	
Watts	2,480/2,530	1,850/1,800	480	1,380	1,220	1,020	820	620	530	
Plug Type	Perpendicular	Tandem	Parallel	Parallel	Parallel	Parallel	Parallel	Parallel	Parallel	
Energy Saver Feature	●	●		●						
Dehumidification (pints/hr.)	7.5	5.5	1.5	4.6	3.3	3.0	2.3	1.5	1.5	
Auto Circulaire™	●	●		●						
Fan Speeds (Cool/Fan Only)	3/2	3/2	3/2	3/2	3/2	3/2	3/2	3/2	2/2	
CFM (High Shown) (Indoor)	560	440	140	350	310	250	230	140	140	
Vent/exhaust	Exhaust	Exhaust		Exhaust	Exhaust	Exhaust	Exhaust			
Thermostat	8-Position	8-Position	8-Position	8-Position	8-Position	8-Position	8-Position	8-Position	Adjustable	
Filter Type	Rigid Frame/ Slide-Out	Rigid Frame/ Slide-Out	Rigid Frame/ Slide-Out	Rigid Frame/ Slide-Out	Rigid Frame/ Slide-Out	Rigid Frame/ Slide-Out	Rigid Frame/ Slide-Out	Rigid Frame/ Slide-Out	Rigid Frame/ Slide-Out	
Chassis	Slide-Out	Slide-Out	Fixed	Slide-Out	Slide-Out	Slide-Out	Slide-Out	Fixed	Fixed	
Window Mounting	EZ Mount	EZ Mount	EZ Mount	EZ Mount	EZ Mount	EZ Mount	EZ Mount	EZ Mount	EZ Mount	
Window Opening Height (min. in inches)	18	18	13	16	16	14	14	13	12	
Window Opening Width (in inches)										
min.	29	29	22	27	27	22	22	22	21	
max.	41	41	36	39	39	36	36	36	35	
Warranty* (Entire Unit)	Full 1-Yr.	Full 1-Yr.	Full 1-Yr.	Full 1-Yr.	Full 1-Yr.	Full 1-Yr.	Full 1-Yr.	Full 1-Yr.	Full 1-Yr.	
Warranty* (Sealed Ref. System)	Full 5-Yr.	Full 5-Yr.	Full 5-Yr.	Full 5-Yr.	Full 5-Yr.	Full 5-Yr.	Full 5-Yr.	Full 5-Yr.	Full 5-Yr.	
<b>Case Dimensions</b>										
Height (in inches)	A	16-27/32	16-27/32	12-9/32	15	15	13-7/8	13-7/8	12-9/32	11-1/8
Width (in inches)	B	26	26	18-9/16	23-5/8	23-5/8	18-7/16	18-7/16	18-9/16	17-5/16
Depth (in inches)	C	28-21/32	24-15/16	13-27/32	22-1/2	22-1/2	19-5/32	19-5/32	13-27/32	12-3/8
Depth to louvers (in inches)	D	10-5/16	10-5/16	6-1/4	8-5/8	8-5/8	8-1/4	8-1/4	6-1/4	4-1/8
Net Weight (lbs.)		146	117	46	87	79	69	60	46	40
Approx. Shipping Weight (lbs.)		158	127	50	96	87	75	66	50	44

\*See written warranty for details.

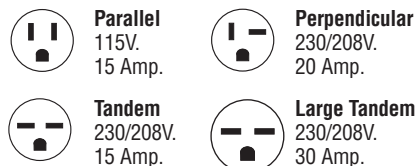
## Wall case dimensions



D = Distance from front of case to side louvers (excluding grille).

Note: When installing slide out chassis units in through-the-wall applications, keep louvers free. Do not restrict air flow areas. Fixed chassis units are not suitable for through-the-wall applications.

## Wall outlets



### Wall Outlets

All wiring, including installation of receptacle, must be made in accordance with local electrical codes and regulations. Electrical outlet should be in reach of line cord.

**Note:** Aluminum building wiring may pose special problems— consult a qualified electrician.

# Room Air Conditioners Specifications (Preliminary)

<b>GE® Slide-Aire</b>	<b>AGX10AH</b>	<b>AGX08FH</b>
<b>Features</b>		
BTUH	10,000	8,000
Voltage	115	115
E.E.R. (BTUH/Watt)	9.5	9.5
Amps	9.6	7.7
Watts	1,050	840
Plug Type	Parallel	Parallel
Dehumidification (pints/hr.)	3.5	2.3
Fan Speeds (Cool/Fan Only)	3/2	3/2
CFM (High Shown) (Indoor)	280	250
Vent/exhaust	Exhaust	Exhaust
Thermostat	10-Position	10-Position
Filter Type	Rigid frame/ Slide-out	Rigid frame/ Slide-out
Chassis	Fixed	Fixed
Window Mounting	V-Std. Mount	V-Std. Mount
	min.	21-1/2
	max.	40-1/2
Window Opening Height	40-1/2	40-1/2
Window Opening Width (in inches) min.	15-1/2	15-1/2
Warranty* (Entire Unit)	Full 1-Yr.	Full 1-Yr.
Warranty* (Sealed Ref. System)	Full 5-Yr.	Full 5-Yr.
<b>Case Dimensions</b>		
Height (in inches)	A 20-1/2	20-1/2
Width (in inches)	B 14-1/2	14-1/2
Depth (in inches)	C 23	23
Depth to louvers (in inches)	D 9	9
Net Weight (lbs.)	76-1/4	64
Approx. Shipping Weight (lbs.)	88.5	76.3

<b>Heat/Cool Series</b>	<b>AGE21DH</b>	<b>AGE18DH</b>	<b>AGE14DH</b>	<b>AGE12DH</b>	<b>AGE07AH</b>
<b>Model</b>	<b>AGE21DH</b>	<b>AGE18DH</b>	<b>AGE14DH</b>	<b>AGE12DH</b>	<b>AGE07AH</b>
<b>Voltage</b>	<b>230/208</b>	<b>230/208</b>	<b>230/208</b>	<b>230/208</b>	<b>115</b>
<b>Cooling Capacity</b>					
BTUH-AHAM	21,000/20,500	18,000/17,500	14,000/13,500	12,000/11,500	7,000
Amps-AHAM	10.8/11.8	8.3/9.0	6.4/6.8	5.5/5.8	6.6
Watts Input	2,470/2,410	1,850/1,800	1,440/1,390	1,220/1,170	720
EER	8.5/8.5	9.7/9.7	9.7/9.7	9.8/9.89	9.7
Dehumidification (Pts./Hr.)	6.3	5.5	4.6	3.3	2.3
<b>Electric Resistance Heating</b>					
BTUH	11,600/9,400	11,600/9,400	11,600/9,400	11,200/9,200	3,850
Amps	16/15	16/15	16/15	15.3/14	11.0
Watts Input @ 230V	3,720/3,150	3,670/3,100	3,670/3,100	3,500/2,900	1,260
<b>Features</b>					
Line Cord Plug	Perp.	Perp.	Perp.	Perp.	Perp.
Recommended Circuit Protection (Time Delay)	20 Amps	20 Amps	20 Amps	20 Amps	20 Amps
Fan Speeds, Heating/Cooling	2/2	2/2	2/2	2/2	2/2
Fan Only Setting	1	1	1	1	1
Air Flow (CFM) Roomside Hi/Low	405	425	434	300	205
Air Exchange Exhaust	●	●	●	●	●
Rotary Compressor	●	●	●	●	●
Slide-Out Chassis	●	●	●	●	●
Window Installation Kit	EZ Mount	EZ Mount	EZ Mount	EZ Mount	EZ Mount
Approximate Net Weight (Lbs.)	135	120	112	90	69
Approximate Shipping Wt. (Lbs.)	143	133	125	96	75

<b>GE Dehumidifiers</b>	<b>ENERGY STAR® AHG50LH</b>	<b>ENERGY STAR AHG40LH</b>	<b>AHG30LH</b>
<b>Features</b>			
Dehumidification (pints/day)	50	40	30
Dry Airflow (CFM)	125/115	125/115	140/127
Color	Cameo White	Cameo White	Cameo White
Auto Shut Off	●	●	●
Automatic Defrost	●	●	●
Water Full Indicator	●	●	●
Fan speeds	2	2	2
Removable bucket	●	●	●
Bucket capacity (pints)	21	21	21
External drain connector	●	●	●
Casters - 4 movable	●	●	●
Voltage	115	115	115
Watts	600	580	480
Amps	6.0	5.4	5.8
Circuit size (Amps)	15	15	15
Plug type	Parallel	Parallel	Parallel
<b>Case Dimensions</b>			
Height (in inches)	20-7/8	20-7/8	20-7/8
Width (in inches)	12-5/8	12-5/8	12-5/8
Depth (in inches)	17-1/8	17-1/8	17-1/8
Shipping weight (lbs.)	43.2	40.1	52.6
Net weight (lbs.)	39.5	36.14	48.7

<b>GE Portable Room</b>	<b>APH10AA</b>
<b>Features</b>	
BTUH	10,000
Voltage	120
Amps	11.6
Plug Type	Parallel
Dehumidification (pints/hr.)	4.0
Timer	24-Hour
Fan Speeds (Cool/Fan Only)	3/3
Vent/exhaust	Exhaust
Thermostat	Electronic
Filter Type	Rigid frame/ Slide-out
Window Mounting	V-Std. Mount
Window Opening Height (min./max. in inches)	40-1/2
Window Opening Width (min. in inches)	28-2/5
Warranty* (Entire Unit)	Full 1-Yr.
Warranty* (Sealed Ref. System)	Full 5-Yr.
<b>Case Dimensions</b>	
Height (in inches)	33.3
Width (in inches)	17.7
Depth (in inches)	18.6
Net Weight (lbs.)	85.7
Approx. Shipping Weight (lbs.)	100.8

<b>GE Low Profile</b>	<b>AGP07LH</b>
<b>Features</b>	
BTUH	7,000
Voltage	115
E.E.R. (BTUH/Watt)	9.7
Amps	6.0
Watts	700
Plug Type	Parallel
Energy Saver Feature	
Dehumidification (pints/hr.)	TBD
Auto Circulaire™	
Fan Speeds (Cool/Fan Only)	3/3
CFM (High Shown) (Indoor)	212
Vent/exhaust	
Thermostat	Electronic
Filter Type	Rigid Frame/ Slide-out
Chassis	Fixed
Window Mounting	EZ Mount
Window Opening Height (min. in inches)	15-1/2
Window Opening Width (in inches) min.	21-1/2
	max.
Warranty* (Entire Unit)	Full 1-Yr.
Warranty* (Sealed Ref. System)	Full 5-Yr.
<b>Case Dimensions</b>	
Height (in inches)	A 12
Width (in inches)	B 20-13/15
Depth (in inches)	C 18-1/32
Depth to louvers (in inches)	D TBD
Net Weight (lbs.)	55
Approx. Shipping Weight (lbs.)	62

\*See written warranty for details.



# Room Air Conditioners Specifications

## GE Built-In "J" Series

	Electronic Units—cool only					Mechanical Units—cool only						High-Mount Units—cool only			
Models	AJCQ06LCB	AJCQ08ACB	AJCQ10ACB	AJCQ10DCB	AJCQ12DCB	AJCS06LCB	AJCS08ACB	AJCS10ACB	AJCS09DCB	AJCS10DCB	AJCS12DCB	AJCH08ACB	AJCH10ACB	AJCH10DCB	AJCH12DCB
ENERGY STAR®	●	●	●	●	●	●	●	●	●	●	●	●	●	●	●
Voltage	115	115	115	230/208	230/208	115	115	115	230/208	230/208	230/208	115	115	230/208	230/208
<b>Cooling Capacity</b>															
BTUH-AHAM	6000	8000	9900	9900/9700	11600/11400	6000	8000	9900	8900/8700	9900/9700	11600/11400	8000	9900	9900/9700	11600/11400
Amps-AHAM	5.7	7.9	9.7	4.9/5.3	5.8/6.3	5.7	7.9	9.7	4.2/4.6	4.9/5.3	5.8/6.3	7.9	9.7	4.9/5.3	5.8/6.3
Watts Input	600	840	1040	1040/1020	1220/1200	600	840	1040	935/915	1040/1020	1220/1200	840	1040	1040/1020	1220/1200
EER	10.0	9.5	9.5	9.5/9.5	9.5/9.5	10.0	9.5	9.5	9.5/9.5	9.5/9.5	9.5/9.5	9.5	9.5	9.5/9.5	9.5/9.5
Dehumidification (Pts./Hr.)	1.4	2.1	2.9	2.9	3.4	1.4	2.1	2.9	2.5	2.9	3.4	2.1	2.9	2.9	3.4
<b>Features</b>															
Line Cord Plug	Parallel	Parallel	Parallel	Tandem	Tandem	Parallel	Parallel	Parallel	Tandem	Tandem	Tandem	Parallel	Parallel	Tandem	Tandem
Recommended Circuit Protection (Time Delay)	15 Amps	15 Amps	15 Amps	15 Amps	15 Amps	15 Amps	15 Amps	15 Amps	15 Amps	15 Amps	15 Amps	15 Amps	15 Amps	15 Amps	15 Amps
Fan Speeds	3	3	3	3	3	2	2	2	2	2	2	2	2	2	2
Fan Only Setting	3	3	3	3	3	2	2	2	2	2	2	2	2	2	2
Air Flow (CFM)															
Roomside Hi/Low	212/184	240/212	282/254	282/254	304/279	212/184	240/212	282/254	282/254	282/254	304/279	240/212	282/254	282/254	304/279
Air Exchange Exhaust	●	●	●	●	●	●	●	●	●	●	●	●	●	●	●
Fan Cycle Switch	●	●	●	●	●	●	●	●	●	●	●	●	●	●	●
Rotary Compressor	●	●	●	●	●	●	●	●	●	●	●	●	●	●	●
Slide-Out Chassis	●	●	●	●	●	●	●	●	●	●	●	●	●	●	●
Installation	In Wall	In Wall	In Wall	In Wall	In Wall	In Wall	In Wall	In Wall	In Wall	In Wall	In Wall	In Wall	In Wall	In Wall	In Wall
Wall Case Required	RAB46/47/48	RAB46/47/48	RAB46/47/48	RAB46/47/48	RAB46/47/48	RAB46/47/48	RAB46/47/48	RAB46/47/48	RAB46/47/48	RAB46/47/48	RAB46/47/48	RAB46/47/48	RAB46/47/48	RAB46/47/48	RAB46/47/48
Approximate Net Weight (lbs.)	63	68	77	77	79	63	68	77	69	77	79	69	78	78	80
Approximate Shipping Wt. (lbs.)	72	77	86	86	88	72	77	86	79	86	88	78	87	87	89

## GE Built-In "J" Series

	Heat/Cool Units						High-Mount	Heat Pumps		
Model	AJES06LSB*	AJES08ASB*	AJES10DSB	AJES09DCB	AJES10DCB	AJES12DCB	AJEH12DCB	AJHS08ASB*	AJHS08DCB	AJHS10DCB
Voltage	115	115	230/208	230/208	230/208	230/208	230/208	115	230/208	230/208
<b>Cooling Capacity</b>										
BTUH-AHAM	6000	8000	9900/9700	8900/8700	9900/9700	11600/11400	11600/11400	8000	8000/7800	9900/9700
Amps-AHAM	5.7	7.9	4.9/5.3	4.2/4.6	4.9/5.3	5.8/6.3	5.8/6.3	7.9	4.0/4.3	4.9/5.3
Watts Input	600	840	1040/1020	935/915	1040/1020	1220/1200	1220/1200	840	840/820	1040/1020
EER	10.0	9.5	9.5/9.5	9.5/9.5	9.5/9.5	9.5/9.5	9.5/9.5	9.5	9.5/9.5	9.5/9.5
Dehumidification (Pts./Hr.)	1.4	2.1	2.9	2.5	2.9	3.4	3.4	2.1	2.1	2.9
<b>Reverse Cycle Heating</b>										
BTU-AHAM								7700	7700/7500	9700/9500
C.O.P. at 47°F								3.0	3.0/3.0	3.0/3.0
Amps-AHAM								6.8	3.4/3.7	4.3/4.7
Watts Input								750	750/730	950/930
<b>Electric Resistance Heating</b>										
BTUH	4100	4100	11600/9500	11600/9500	11600/9500	11600/9500	11600/9500	4100	11600/9500	11600/9500
Amps	12.0	12.0	16.0	16.0	16.0	16.0	16.0	12.0	16.0	16.0
Watts Input @ 230V	1380	1380	3670/3010	3670/3010	3670/3010	3680/3020	3680/3020	1380	3660/3000	3680/3020
<b>Features</b>										
Line Cord Plug	Parallel	Parallel	Perp.	Perp.	Perp.	Perp.	Perp.	Parallel	Perp.	Perp.
Recommended Circuit Protection (Time Delay)	15 Amps	15 Amps	20 Amps	20 Amps	20 Amps	20 Amps	20 Amps	15 Amps	20 Amps	20 Amps
Fan Cycle Switch	●	●	●	●	●	●	●	●	●	●
Fan Speeds, Heating/Cooling	2/2	2/2	2/2	2/2	2/2	2/2	2/2	2/2	2/2	2/2
Fan Only Setting	2	2	2	2	2	2	2	2	2	2
Air Flow (CFM) Roomside Hi/Low	212/184	240/212	282/254	282/254	282/254	304/279	304/279	237/212	237/212	304/279
Air Exchange Exhaust	●	●	●	●	●	●	●	●	●	●
Rotary Compressor	●	●	●	●	●	●	●	●	●	●
Slide-Out Chassis	●	●	●	●	●	●	●	●	●	●
Installation	Window/Wall	Window/Wall	Window/Wall	In Wall	In Wall	In Wall	In Wall	Window/Wall	In Wall	In Wall
Wall Case Required	Included	Included	Included	RAB46/47/48	RAB46/47/48	RAB46/47/48	RAB46/47/48	Included	RAB46/47/48	RAB46/47/48
Window Installation Kit	Std. Mount	Std. Mount	Std. Mount	Optional	Optional	Optional	Optional	Std. Mount	Optional	Optional
Approximate Net Weight (Lbs.)	82	87	96	71	78	80	81	TBD	TBD	TBD
Approximate Shipping Wt. (Lbs.)	97	102	111	80	88	90	90	TBD	TBD	TBD

All cooling with electric heat models and heat pumps are corrosion treated. Specifications and design subject to change without notice. \*These units are not intended to be the primary source of heat.

### Air conditioner tips

**Air flow** – Keep air filters clean. Do not block air flow areas.

**Roomside view** – J-models feature concealed power cord storage, this eliminates excessive cord exposure when receptacle is located close to unit.

### Accessories

Other accessories are available, they include: Fedders and Whirlpool sleeve adapters. Drain kits and Chassis adapters for old Hotpoint cases.

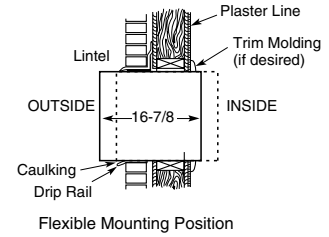
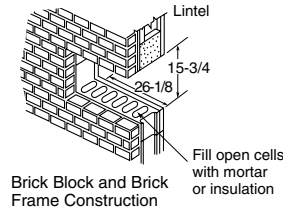
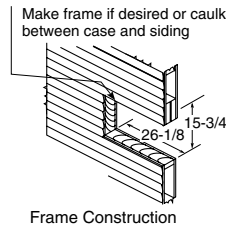
See page 75 for warranty information.

# Room Air Conditioners Specifications

## Built-In Room Air Conditioners Wall Opening for RAB46/47/48 Cases

A finished opening of 26-1/8" x 15-3/4", clear of intrusions, is required. Keep clearance of 4" from side walls. Brick veneer or frame walls should have wood studding surrounding case to provide firm anchoring with screws. Case can be fastened directly to brick or block walls with screws sunk in lead expansion shields.

**Note:** Units should be caulked on all four sides of case to the building exterior to assure building integrity.

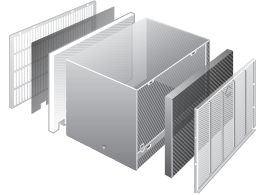


### Two wall cases for tenant option installation

When the air conditioner is offered as a tenant option, these wall cases provide protection against outside elements.

**RAB47**—includes wall case, exterior grille and steel closure panels.

**RAB48**—includes wall case, exterior grille, steel closure panel and two layers of insulation.



### Standard wall case RAB46

Solid-sided wall case fabricated of galvanized steel with baked enamel finish. Welded areas are coated with a sealing compound to help resist rust and corrosion. Polymer gasket surrounds opening to assure tight weather seal. Aluminum grille (RAG13) is included. Panels on interior and between case and grille provide weather protection prior to installation of chassis.



### Wall outlets

All wiring, including installation of receptacle, must be made in accordance with local electrical codes and regulations. Electrical outlet should be in reach of line cord.

**Note:** Aluminum wiring may pose special problems—consult a qualified electrician.

**Note:** Some models may not be available in your area due to local legislation. Contact your local dealer.

**Note:** When installing slide out chassis units in through-the-wall applications, keep louvers free. Do not restrict air flow areas. Fixed chassis units are not suitable for through-the-wall applications.



Total capacity and E.E.R. ratings are calculated based on the Association of Home Appliance Manufacturers' standards.

## Warranties at a glance

The condensed list below is a convenient overview of the written warranties offered on various Hotpoint and GE® appliances described in this catalog. For complete warranty details on a specific appliance model, contact your nearest Hotpoint/GE appliance dealer, or call GE Factory Service, toll-free, 800-GE-CARES (800-432-2737).

Appliance	Length	Type	Warranty Covers	Parts Or Labor	Where Serviced*
Refrigerators (All models except GMR02BAN, GMR04AAM, GMR04HAS and GMR06AAP)	1-Year	Full	Entire Appliance	Both	In-Home
	Additional 4-Year (5 years total)	Limited	Sealed Refrig. System Compressor	Both	In-Home
Refrigerators (Models GMR02BAN, GMR04AAM, GMR04HAS and GMR06AAP)	1-Year	Limited	Entire Appliance	Both	Carry-In**
	Additional 4-Year (5 years total)	Limited	Compressor	Part	Carry-In**
Freezers (Upright and Chest)	1-Year	Limited	Entire Appliance	Both	In-Home
	Additional 4-Year (5 years total)	Full	Sealed Refrig. System	Both	In-Home
	1-Year/5-Year††	Full	Food Spoilage†	N/A	N/A
Washers	1-Year	Full	Entire Appliance	Both	In-Home
	Additional 4-Year (5 years total)	Limited	Transmission	Parts	In-Home***
	Additional 19-Year (20 years total)	Limited	Tuf Tub™ basket	Parts	In-Home***
GE Spacemaker® Washers	1-Year	Full	Entire Appliance	Both	In-Home
	Additional 4-Year (5 years total)	Limited	Transmission	Parts	In-Home***
Dryers	1-Year	Full	Entire Appliance	Both	In-Home
Ranges	1-Year	Full	Entire Appliance	Both	In-Home
Hoods	1-Year	Full	Entire Appliance	Both	In-Home
GE Spacemaker® Over-the-Range Microwave Ovens	1-Year	Full	Entire Appliance	Both	In-Home
	Additional 9-Year (10 years total)	Limited	Magnetron Tube	Part	In-Home
Counter Saver Plus™ Over-the-Range Microwave Ovens	1-Year	Full	Entire Appliance	Both	In-Home
	Additional 4-Year (5 years total)	Limited	Magnetron Tube	Part	In-Home***
Microwave Ovens (Model JEM25)	1-Year	Limited	Entire Appliance	Both	In-Home
	Additional 9-Year (10 years total)	Limited	Magnetron Tube	Part	In-Home
Microwave Ovens (Model JE740)	1-Year	Limited	Entire Appliance	Both	Carry-In**
	Additional 9-Year (10 years total)	Limited	Magnetron Tube	Part	Carry-In**
Microwave Ovens (Model REM25)	1-Year	Full	Entire Appliance	Both	In-Home
	Additional 4-Year (5 years total)	Limited	Magnetron Tube	Part	Carry-In**
Microwave Ovens (Models RVM1635 and RVM1435)	1-Year	Full	Entire Appliance	Both	In-Home
	Additional 4-Year (5 years total)	Limited	Magnetron Tube	Part	In-Home
Dishwashers (Models HDA3740GSA, HDA3700GWW/CC/BB, HDA3400GWW/CC/BB, HDA2000GWW/CC/BB)	1-Year	Full	Entire Appliance	Both	In-Home
	Additional 9-Year (10 years total)	Full	Polypropylene Tub and Door Liner	Both	In-Home
Dishwashers (Models HDA1000GWH and GSM1800JWW/BB)	1-Year	Full	Entire Appliance	Both	In-Home
Dishwashers (Models GSC3400JWW/BB, GSC3200JWW/BB, GSM2100GWW/CC/BB)	1 Year	Full	Entire Appliance	Both	In-Home
	Additional 1-Year (2 years total)	Limited	Water Distrib. System	Parts	In-Home***
	Additional 9-Year (10 years total)	Full	PermaTuf® Tub and Door Liner	Both	In-Home
Disposers (Models GFC320F, GFC325F, GFC520F, GFC525F, GF530F, GFC535F, GFC720F, GFB760F, GFC1020F)	1-Year	Full	Entire Appliance	Both	In-Home
Disposers (Models GFC520F, GFC525F)	Additional 1-Year (2 years total)	Limited	Entire Appliance	Parts	In-Home***
Disposers (Models GFC530F, GFC535F)	Additional 2-Years (3 years total)	Limited	Entire Appliance	Parts	In-Home***
Disposers (Models GFC720F, GFB760F)	Additional 4-Years (5 years total)	Limited	Entire Appliance	Parts	In-Home***
Disposers (Model GFC1020F)	Additional 6-Years (7 years total)	Limited	Entire Appliance	Parts	In-Home***
Compactors	1-Year	Full	Entire Appliance	Both	In-Home
Room Air Conditioners (Window, Window Built-In)	1-Year	Full	Entire Appliance	Both	In-Home
	Additional 4-Year (5 years total)	Full	Sealed Refrig. System	Both	In-Home
Dehumidifiers	1-Year	Full	Entire Appliance	Both	In-Home
	Additional 4-Year (5 years total)	Full	Sealed Refrig. System	Both	In-Home

\* See warranty for details.

\*\* In-Home service available at additional cost.

\*\*\* Does not include trip charge to home or other service costs.

† Cumulative limits: \$100—14.9 cu. ft. and smaller; \$150—15.0 cu. ft. and larger.

†† One year on spoilage from any part failure. Five years on spoilage from sealed refrigerant system failure.

## Consumer Services

Visit us at [hotpoint.com](http://hotpoint.com)



### We're surfer-friendly!

Completely comprehensive, this site provides you with virtually everything you need to know about Hotpoint® appliances, parts, accessories and service. And, it's also surfer-friendly, so your searches won't be endless—they'll be effortless!

Industry leading support—



### The GE Answer Center® Information Service 800.626.2000. (GEAppliances.com)

Questions? Call any time.

Before or after you buy any GE or Hotpoint appliance, ask us about the features, product comparisons, pricing and where to find it. Call us any time.

We never close.

### GE Genuine Parts 800.626.2002.

Enhance, upgrade or fix it. Check out our accessories!

Accessories can make great GE or Hotpoint products even better. Replacement parts for GE, Hotpoint and most other brands, too. Fast delivery, convenient, direct.

### GE Appliance Service 800.432.2737 (800.GE.CARES) Same day or next day service.

If you ever need product service, we'll come where and when you want—at your convenience. We're the largest manufacturer-owned service organization in the appliance industry. Same or next day service in most cases.

Hotpoint has a policy of continuous improvement on its products and reserves the right to change materials and specifications without notice.

# HOTPOINT®

For now. For the long run.

Appliance Park, Louisville, Kentucky 40225