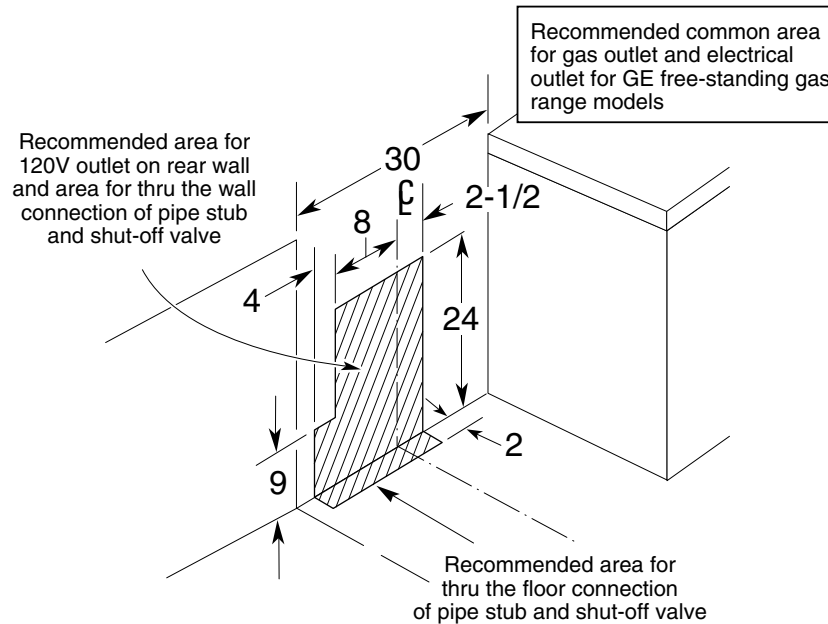
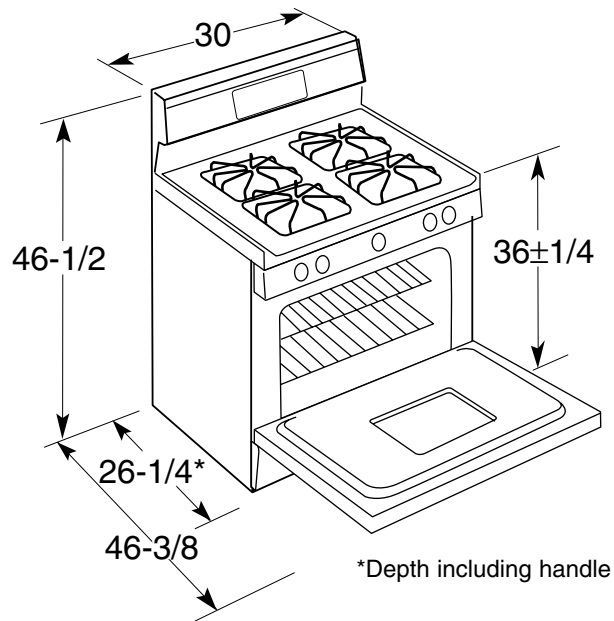


HOTPOINT

RGB530BEAWH—30" Free-Standing Gas Range

Dimensions (in inches)



Installation Information:

Dimensions shown here are the same as those shown on the installation instructions at the time this sheet was printed. Before proceeding with installation, see your Hotpoint supplier for latest detailed preparation and installation instructions or install from the instructions packed with each unit.

Optional gas range accessory drip pans:

(Available at additional cost)
To order these accessory drip pans, call toll-free 800-626-2002.

Specification Revised 6/00

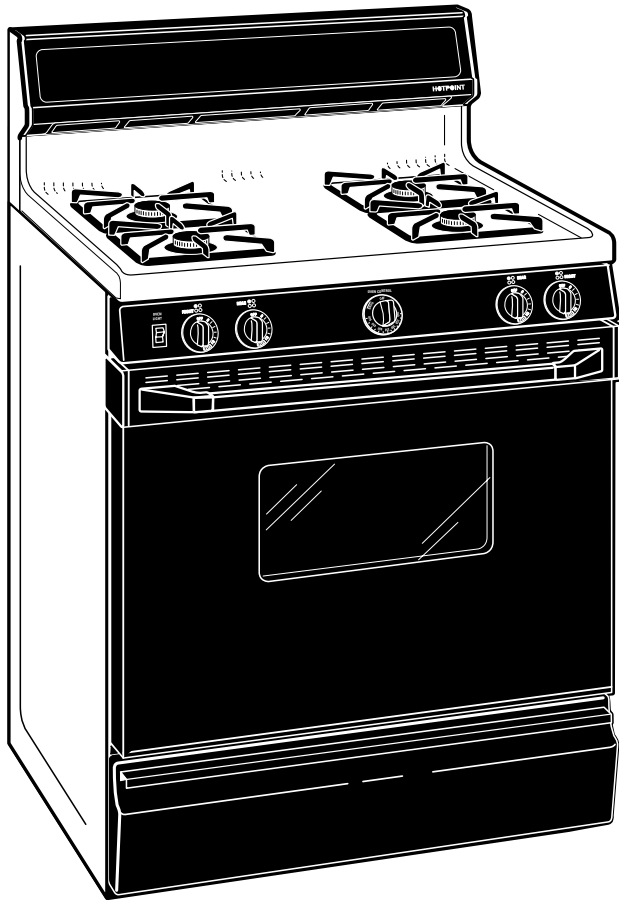


All GE ranges are equipped with an Anti-Tip device. The installation of this device is an important, required step in the installation of the range.



HOTPOINT

RGB530BEAWH—30" Free-Standing Gas Range



Features and Benefits

- Upswept Porcelain-Enameled Cooktop
- Sealed Gas Burners
- (4) 9,500 All-Purpose Burners
- Black Removable Square Grates
- Electronic Pilotless Ignition System
- Extra-Large Standard Cleaning Oven
- Slide Out Broiler Drawer
- 2 Oven Shelves / 6 Embossed Rack Positions
- Easy-Clean Subtop
- Black Frameless Glass Oven Door with Window
- Designer-Style Handle
- Optional Accessory One-Piece Drip Pans Available at Additional Cost
- LP Conversion Kit Included
- Model RGB530BEAWH—White
- Model RGB530BEAAD—Almond