

# HOTPOINT



Value and Dependability

## Super and Extra-large capacity washers

### VWSR4100V

- Super capacity washer
- 4 water levels
- 10 cycles
- 4 wash/spin speed combinations
- 4 wash/rinse temperature settings
- Bleach dispenser
- Self-cleaning filter
- Optional extra rinse
- Fabric softener dispenser

### VBXR2070V

- Extra-large capacity washer
- 3 water levels
- 7 cycles
- 2 wash/spin speed combinations
- 3 wash/rinse temperature settings
- Self-cleaning filter

### VBXR1060V

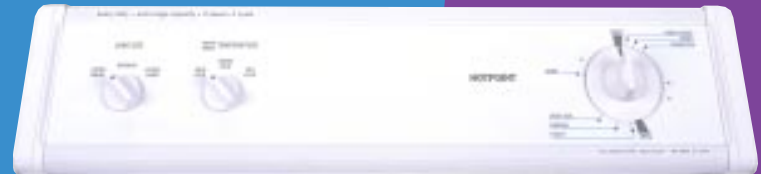
- Extra-large capacity washer
- 3 water levels
- 6 cycles
- 1 wash/spin speed combination
- 3 wash/rinse temperature settings
- Self-cleaning filter

### VVXR1040V

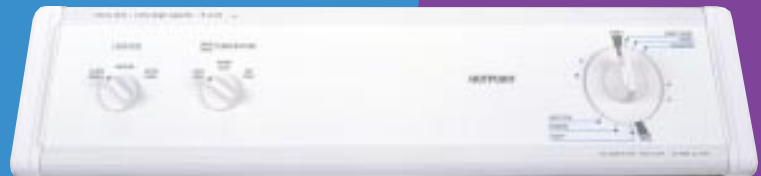
- Extra-large capacity washer
- 2 water levels
- 4 cycles
- 1 wash/spin speed combination
- 3 wash/rinse temperature settings



VWSR4100V



VBXR2070V



VBXR1060V



VVXR1040V



### Super capacity

The 3.2 cu. ft. super capacity washer provides added space for extra-large loads.



### FlexCare™ agitator

Delivers excellent wash performance, and the innovative "Flexible Fins," care for delicate wash loads.



### Balance Pro™ suspension system

An innovative rod and spring floating suspension system designed to handle off-balanced loads on any type of floor.



### Tuf Tub™ basket

The basket resists peeling, chipping, rusting or flaking for long term durability. Backed by a great 20-year limited warranty.



VWSR4100V

All features may not be available on all models.



NWXR473EV (Electric), NWXR473GV (Gas)



NJLR473EV (Electric), NJLR473GV (Gas)



NVLR333EV (Electric), NVLR333GV (Gas)



NWXR473EV

## Extra-large capacity dryer

**NWXR473EV (Electric)**  
**NWXR473GV (Gas)**

- Automatic dry control
- Variable end-of-cycle signal
- Dryer interior light
- 7 cycles
- Optional press guard
- 4 heat selections
- Up-front lint filter
- Reversible door

## Large capacity dryers

**NJLR473EV (Electric)**  
**NJLR473GV (Gas)**

- Automatic dry control
- Dryer interior light
- 7 cycles
- Optional press guard
- 4 heat selections
- Up-front lint filter

**NVLR333EV (Electric)**  
**NVLR333GV (Gas)**

- Automatic dry control
- 3 cycles
- 3 heat selections
- Up-front lint filter



### Automatic dry control

Monitors moisture level with an automatic thermostat and ends the cycle when clothes are properly dried. **Optional press guard** provides extra care to help prevent wrinkles.



### Up-front lint filter

Convenient, up-front removable lint filter is easy to reach, easy to clean.



### Extra-large dryer opening and drum

The extra-large opening gives you easy access to the 6.0 cu.ft. double-coated dryer drum.



### New off-set appearance

A contemporary design that makes cleaning easy.

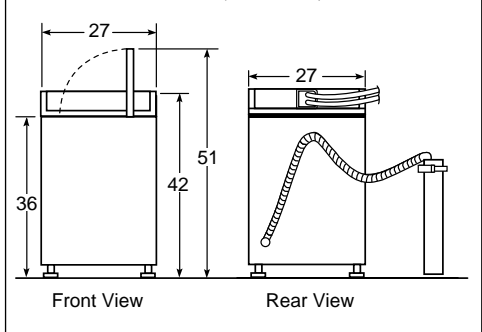
# Washer and dryer models

## Washers

Features	WWSR4100V	VBXR2070V	VBXR1060V	VVXR1040V
Capacity/Cubic feet	Super/3.2	Extra-Large/2.7	Extra-Large/2.7	Extra-Large/2.7
Wash/spin speed combination(s)	4	2 (timer)	1	1
Wash/rinse temperatures	4	3	3	3 (timer)
Water levels	4	3	3	2
Fabric softener dispenser	■			
Bleach dispenser	■			
FlexCare™ agitator	■	■	■	■
Left-hand lid opening	■	■	■	
New lid instructions	■	■	■	
Tuf Tub™ basket	■	■	■	■
Self-cleaning filter	■	■	■	■
Number of wash cycles	10	7	6	4
Perm press	■	■	■	Warm cycle only
Knits	■	■	■	
Delicates	■	■	■	
Heavy soil	■	■	■	Hot cycle only
Normal soil	■	■	■	Warm cycle only
Light soil	■	■	■	Cold cycle only
Soak cycle		■		
Auto soak (15 min.)	■			
Auto soak (30 min.)	■			
Supercycle™	■			
Optional extra rinse	■			
Front serviceable				■
Colors available*	WW/AA	WW/AA	WW/AA	WW/AA
Approx. shipping weight (lbs.)	160	160	160	160

\*Colors available: White on White or Almond on Almond

## Washer dimensions (in inches)



## Washer specifications

**Electrical rating:** 115V, 60 Hz, 10 Amps

**Circuit requirements:** An individual properly-grounded branch circuit, with a three-prong grounding-type receptacle protected by a 15 or 20 amp circuit breaker or time-delay fuse, is required.

## Dryers

Features	Electric	NWXR473EV	NJLR473EV	NVLR333EV
	Gas	NWXR473GV	NJLR473GV	NVLR333GV
Capacity/Cubic feet		Extra-Large/6.0	Large/5.4	Large/5.4
Automatic dry control		■	■	■
Double-coated drum		■		
Porcelain drum interior			■	■
Variable end-of-cycle signal		■		
Removable upfront lint filter		■	■	■
Optional press guard		■	■	
Dryer interior light		■	■	
Heat selections		4	4	3 (timer)
Number of dry cycles		7	7	3
Auto cottons				
Cottons cycle		■	■	■
Optional press guard		■	■	
Auto perm press				
Perm press cycle		■	■	■
Optional press guard		■	■	
Timed dry		■	■	
Actual minutes on timer		80	80	70
Damp dry		■	■	
De-wrinkle		■	■	
Timed (no-heat)				■
Front serviceable		■	■	■
Reversible door		■		
Colors available*		WW/AA	WW/AA	WW/AA
Approx. shipping weight (lbs.)	Elec.	107	107	107
	Gas	115	124	124

\*Colors available: White on white or Almond on almond

**Note:** Before installing, consult installation instructions packed with product for current dimensional data. Hotpoint electric dryers are available with long ducting capability.

## Warranty information

### Washer warranties

**1-year full warranty**

on entire washer.

**5-year limited warranty** on transmission.

**20-year limited warranty** on Tuf Tub™ basket.

See written warranty for details.

### Dryer warranties

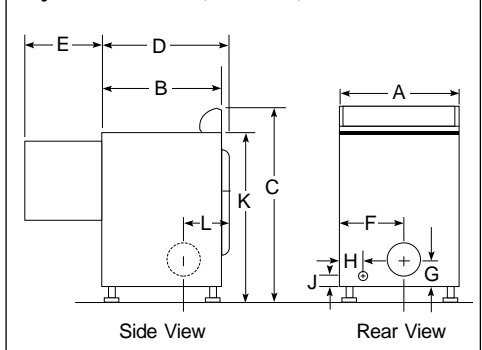
**1-year full warranty**

on entire dryer.

**5-year limited warranty** on extra-large dryer drum.

See written warranty for details.

## Dryer dimensions (in inches)



## Dryer specifications

### Exhaust options:

**Electric:** 4-way via rear, right, left and bottom.

**Gas:** 3-way via rear, left and bottom. Dryer is shipped exhausted to the rear. Alternate exhausting knockouts are supplied.

See installation instructions for venting specifications.

### Circuit requirements:

**Electric:** An individual properly-grounded branch circuit protected by a 30 amp circuit breaker or time-delay fuse, is required.

**Gas:** An individual, properly-grounded branch circuit with a three-prong grounding-type receptacle, protected by a 15 or 20 amp circuit breaker or time-delay fuse, is required. (BTU/HR): 22,000. Factory-equipped for natural gas. Tested for LP gas. LP gas supply requires a conversion kit. Check installation instructions for correct kit and have a qualified gas technician install a conversion kit. See dryer ducting information for proper installation.

**Electric dryer rating:** 208/240V, 5600W, 60 Hz, 30 Amp

**Gas dryer electric rating:** 120V, 60 Hz, 15 Amp

## Dryer dimensions (in inches)

	Large capacity	Extra-Large capacity
A	27	27
B	25-1/2	25-1/2
C	42	42
D	25-3/4	25-3/4
E	23-1/2	23-1/2
F	11-3/4	11-1/2
G	5-1/2	3-1/2
H	2	2
J	2-1/2	2-1/2
K	36	36
L	4-3/4	5-1/4

Before purchasing any appliance on which the Federal Trade Commission requires an energy label, read important energy cost and efficiency information available from your retailer.

Hotpoint has a policy of continuous improvement on its products and reserves the right to change materials and specifications without notice.



Listed by  
Underwriters  
Laboratories