

G E A P P L I A N C E S

Home Products and Services



*The First Choice of Builders and Remodelers**

According to a recent **Professional Builder survey.*



We bring good things to life.

Builders know and trust GE.

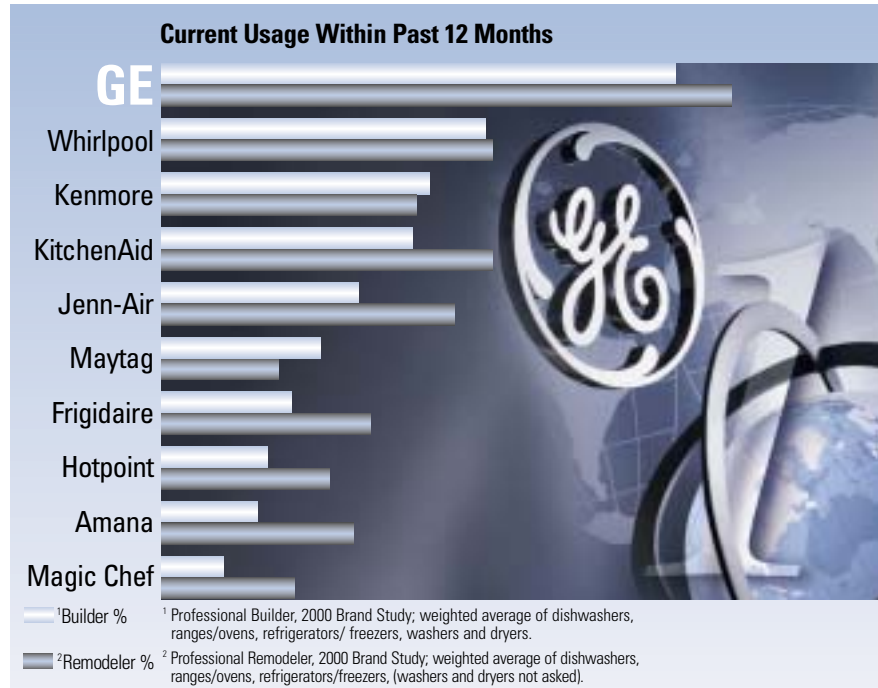
For the seventh year in a row, GE has been named the first choice of builders and remodelers.

According to a recent Professional Builder* survey, GE is the leading source of appliances. This marks the seventh consecutive year GE Appliances was named the top choice of builders and remodelers across the country. The survey findings reflect our ongoing commitment to provide our Home Products and Services customers with superior products and support.

*Professional Builder Brand Use Study, 2000



Today, GE continues to build on more than a century of innovation with Six Sigma, our companywide, customer-focused approach to quality. Each appliance is rigorously tested and retested, with the goal of near-perfection. When you choose GE, you can count on us to go the extra mile to make your life easier.



GE is the #1 choice of consumers, too!

GE is the appliance brand most often mentioned among the brands rated as offering the best products and services in America.

Source: Louis Harris Poll—2001

Table of Contents

Product	Page	Specifications and Installation
Refrigerators		
Side-By-Side Refrigerators	12-25	166-171
Top-Freezer No-Frost Refrigerators	26-33	172-176
Cycle and Manual Defrost Refrigerators	34	177
Bottom-Freezer Refrigerators	35-36	178
Wine Cooler	37	179
Compact Refrigerators	37	179
Freezers	38-39	180
Refrigeration Trim Kits		181
Built-In Cooking Products		
Advantium™ Ovens	40-47	182-183
Wall Ovens	48-62	184-192
Warming Drawers	63	193
Cooktops	64-75	194-201
Slide-In/Drop-In Ranges	76-83	202-208
Free-Standing Cooking Products		
Electric Ranges	84-97	209-211
40" Electric Ranges	97	211
Gas Ranges	98-105	212-214
Ventilation Options	106-109	215-218
Microwave Ovens		
Over-The-Range	110-117	219-220
Wall Ovens	113	221
Countertop	117-120	222-223
Countertop Microwave Optional Oven Trim Kits	121	224
Dishwashers		
Built-In Dishwashers	122-130	225-228
Convertible Dishwashers	131	229
Undersink and 18" Built-In Dishwashers	132	230
Dishwasher Accessories		231
Disposers and Compactors	133	232
Clothes Care		
Washers and Dryers	134-143	233-235
Front-Loading Washers and Dryers	144-145	236
Dryer Exhausting and Installation Information		237-239
Spacemaker® Washers and Dryers	146-147	240-241
Commercial Washers and Dryers	147-149	241-243
Water Systems		
Softening Systems	150-151	245
Filtration Systems	152-153	244-245
Air Conditioning		
Air Conditioning	154-155	
Vertical Packaged Terminal Air Conditioners	156	246
Zoneline®	157-158	246-248
Built-In "J" Series	159-160	249-250
Warranty Information	162-165	
Nomenclatures	251-255	



On the cover

Cabinetry:

Brookhaven® by
Wood-Mode Fine Custom Cabinetry
Kreamer, PA 17833
800-635-7500
www.wood-mode.com

Style: Colony
Finish: Nordic White on maple,
Burgundy on cherry

Plumbing:

KOHLER Co.
Kohler, WI 53044
800-4-KOHLER
www.kohler.com

Sink: K-3326L-3 PRO TaskCenter 60"
Faucet: Avatar Kitchen Faucet K-6350-CP

Counters:

DuPont™ Surfaces
Wilmington, DE 19880
800-4-Corian
www.corian.com

Corian® Solid Surfaces by DuPont™ Surfaces
Black Quartz (E)

Furniture:

Design Within Reach
San Francisco, CA 94111
800-944-2233
www.dwr.com

Chairs: Allegro Chair, Black

GE makes builders' lives easier.

GE gives you all the tools you need to manage and grow your business.

GE CustomerNet

Easy, efficient way to do business.

gecustomernet.com The most comprehensive collection of business to business Internet tools developed by an appliance manufacturer.

- Several online ordering options, including direct web purchasing, electronic transfer of your purchase orders and industry exclusive package ordering.
- Instant access to invoices, proof-of-delivery forms, purchase histories and more.
- Quick, easy parts ordering and service scheduling.
- Brochure development and customization.
- Wireless palmtop and cellular phone functions.



GE Selection Center

It's profitable. It's easy. It's efficient.

geselectioncenter.com Interactive Web site customized to help you provide a better buying experience for your customers. Both a valuable resource and virtual showroom, this site is the easiest way to sell options and upgrades and improve profitability.



Build with GE

A one-stop resource for builders.

buildwithge.com Designed to improve operating efficiency, this site allows you to do business at any time with authorized suppliers and distributors. It also links you to leading-edge e-commerce tools, the latest GE appliance innovations and GE services.



GE Appliances Web Site

Consumer product information.

GEAppliances.com Award-winning Web site offers abundant information and interactive capabilities, so you can find everything you need faster than ever before! Search by brand, category or model number.

Get all the information you need with a simple phone call or press of a button.



GE Answer Center®
Saves you time.

800.626.2000 This 24-hour-a-day, 7-day-a-week service provides answers on product features, installation procedures, service and more.



Consumer Service
Peace of mind, everywhere.

800.GE.CARES Our network of 1100 GE factory-trained technicians and 8500 authorized Customer Care service centers extends across the U.S.



Quick Specs
Project planning made simple.

800.432.3729 Product features and dimensions are faxed to you FREE, wherever and whenever you need them.



Productivity Solutions
Anytime access.

- Intelligent character recognition gives you a faster, easier way to place fax orders.
- Intelligent voice recognition allows you to check pricing and view account information—24 hours a day, 7 days a week.



Distribution Services
On-time delivery you can count on.

Our nationwide distribution system takes a sophisticated, computer-based approach to managing availability and delivery. From full-line distribution centers, we ship to customers and Authorized Builder Distributors or to more than 100 Scheduled Delivery Service sites for local delivery.



GE Sales Professionals and Authorized Distributors
Dedicated team, determined focus.

Our sales force and services have been expanded and enhanced to better focus on you, our Home Products and Services customer. We give you more choices than ever—and more ways to sharpen your competitive edge.

Appliances that make your kitchens stand out.

GE delivers innovative, high-quality appliances designed for 21st-century living.

More than ever, the kitchen is the heart of the home, so naturally it's often the center of home buyers' attention. GE caters to all types of buyers with a wide range of appliance innovations and styles. People with open floor plans will appreciate how CustomStyle™ appliances create a seamless, sophisticated look. Those who are serious about their kitchens, particularly when it comes to cooking and entertaining, will find multi-taskers like our award-winning Arctica™ refrigerator absolutely indispensable. Combining high style and performance, GE appliances are the perfect choice for all your kitchens and customers.



Stainless reigns supreme. Stainless steel conveys a look of utmost polish and sophistication. The rich luster of this finish will give your kitchens an immaculate appearance, and its lasting beauty will appeal to your customers' discriminating tastes.



White is always right. Always in fashion, white is the most popular appliance finish. It's the primary color of traditional décors, and it provides a striking contrast to the bold, vibrant hues favored by today's younger home buyers.



Black makes a dramatic difference. Black makes a sophisticated design statement, in both classic and contemporary kitchens. For a dramatic effect, pair black appliances with dark wood finishes, bright walls or retro-look tiles.



Bisque, the new neutral. The ultimate in refinement, bisque coordinates beautifully with natural surfaces and color schemes. It fits modern design trends, yet also stands the test of time.

GE Profile™ appliances are among the best you can buy.

The GE Profile Stainless Portfolio opens up a world of dramatic possibilities.



GE delivers award-winning technology and design options you need.

GE Profile Arctica™ Refrigerators

**Grand Award Winner of the Popular Science 2001
"Best of What's New."**

Popular Science reviewed thousands of new products and selected the Arctica refrigerator featuring CustomCool™ technology as the best new product in the category of Home Technology. This prestigious award confirms once and for all that Arctica is the Ultimate in Refrigeration.™

GE Profile Spacemaker® Microwave Ovens

The #1 preferred brand of over-the-range ovens.*

Since its introduction in 1979, the GE Spacemaker microwave oven has been an indispensable part of the American kitchen. Today, Spacemaker ovens are bigger and better than ever before. With advanced features like Quick Defrost and convection capabilities, Spacemaker microwave ovens make ideal second ovens.

*Stevenson Company

GE Profile Dishwashers

**The highest performance dishwashers you can
buy...guaranteed!**

Now there's a highly fashionable, highly functional dishwasher for every kitchen. GE Profile dishwashers offer the utmost in contemporary elegance, along with the best combination of wash and sound performance, usable capacity, energy efficiency and water consumption.

GE Profile Advantium™ Ovens

The best performing over-the-range ovens you can buy.

Since its introduction in 1999, the Advantium oven has garnered seven national awards for its revolutionary Speedcook technology. Among these is the 2001 American Building Products Award from *Home Magazine*.

GE Profile Slide-In Ranges

The maximum in cooking performance and versatility.

Innovatively styled inside and out, GE Profile slide-in ranges offer the perfect balance of elegance, performance and versatility. With a sleek built-in look and convenient features, these ranges fit every kitchen décor and cooking style.



GE Profile washers and dryers offer the perfect combination of clothes care and convenience.



GE Profile Washers and Dryers

Perfect care.

Our Ultra HandWash cycle is America's Gentlest Agitation.™ It simulates handwashing for less turnover and more tender clothing care. Plus, our PerfectTemp Plus temperature management system optimizes the soil- and stain-removal performance of detergents.

Perfect timing.

Our exclusive ExtrAction Tub™ removes up to 24% more moisture, resulting in shorter dry times and less clothing wear and tear. And our Speed Wash/Speed Dry system delivers ready-to-go results in just 30 minutes or less.*

*A soccer uniform, school uniform or golf outfit

Perfectly simple.

One-touch controls with LED digital readout provide accurate cycle times, from fill to finish. Simply make one cycle selection and press Start.

Universal Design by GE.

Appliances for people of all ages and abilities.

Universal design creates a living space that reflects the needs of all people, including seniors, small children and those with mental or physical impairments. Applying the principles of universal design is simple, but there are some guidelines to keep in mind:

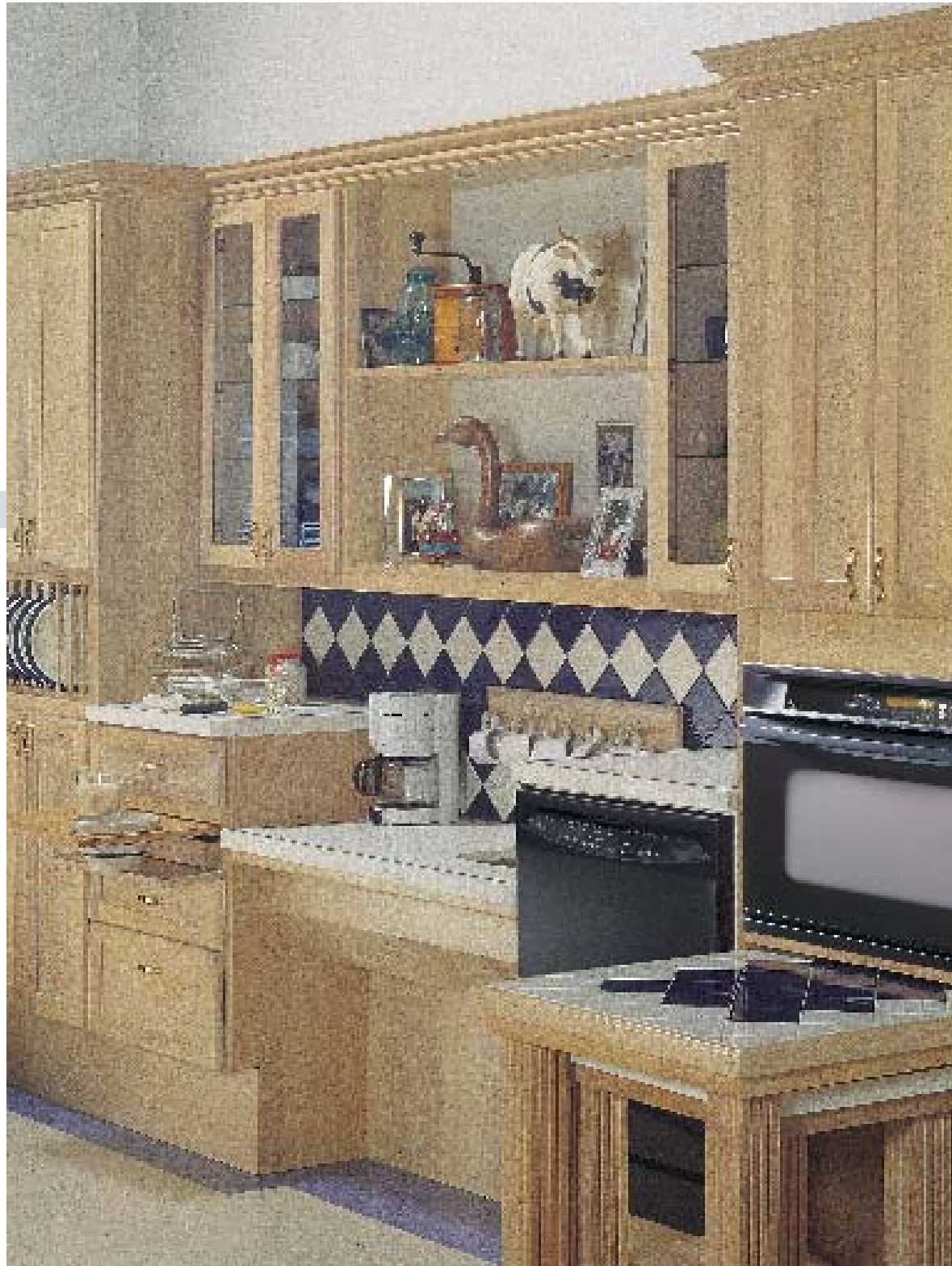
Be open.

Keep the kitchen free of barriers by including GE Profile™ built-in appliances in your design plans.

Options include:

- CustomStyle™ refrigerators
- Wall ovens
- Cooktops
- Microwave ovens
- Dishwashers

Each is designed to blend almost seamlessly with surrounding cabinetry, clearing aisles and creating more workspace.



Wall ovens, cooktops, microwaves and dishwashers can be installed at varying heights to maximize accessibility.

Be accessible.



Many GE Profile dishwashers and cooking products cater to special needs with easy-to-use upfront controls with large graphics.



A number of GE Profile refrigerators feature the LightTouch! dispenser, which conveniently delivers water and ice through the door.



GE Profile front-loading washers and dryers put laundry within convenient reach.

GE Profile and GE appliances offer an unbeatable combination of style, performance and accessibility.

“The Ultimate in Refrigeration.”™

GE Profile Arctica™ refrigerators

bring a breath of fresh air to

your kitchen and your life. This new

line performs on demand with

innovative cooling capabilities.

It impresses with its sophisticated,

dramatic design. And it offers

tremendous flexibility through a

user-friendly storage system. What’s

behind this breakthrough?

GE has engineered new refrigerators

to offer exceptional temperature

management, convenience

and efficiency.

CustomCool™ technology

Exclusive CustomCool technology gives you the ability to chill and thaw much faster than ever before possible. It also lets you select just-right temperatures for a variety of fresh foods.



ClimateKeeper™ system

Exclusive ClimateKeeper system helps preserve refrigerator contents by providing consistent cooling.



Contoured style

Arctica’s clean contours and lines are perfectly compatible with any kitchen setting.



Optimal accessibility

The interior is thoughtfully designed to offer exceptional convenience and flexibility.





Refrigeration

Cooking Products

Microwave Ovens

Dishwashers

Clothes Care

Water Systems

Air Conditioning

GE Profile Arctica refrigerators offer exclusive cooling capabilities, dramatic styling and flexible features.

GE Profile Arctica™ Side-By-Side Refrigerators

Specialized settings let you customize cooling for a variety of foods.

GE Profile Arctica side-by-side refrigerators include a number of high-performance capabilities. Perhaps the most notable is our exclusive CustomCool™ technology. A fresh take on cooling, this bottom pan feature offers three settings for different lifestyle needs:

ExpressChill™ setting chills foods and beverages in minutes, not hours.

ExpressThaw™ setting thaws meats and other freezer items in hours, not days.

SelectTemp™ setting allows you to select just-right temperatures for specific foods.

Using these specialized settings, you are able to avoid the last-minute rush and simply relax. Whether the occasion calls for impromptu hors d'oeuvres for 20 or filet mignon for two, CustomCool takes care of everything.



It chills!



It thaws!



It preserves!



New high-gloss finish provides a look of sleek elegance with a smooth, reflective surface.



Easy access

Slide 'n Store™ freezer baskets extend fully, putting frozen foods within convenient reach. A Slide 'n Store Plus basket is designed to hold taller items such as pizza boxes, and a fold-up divider keeps them securely in place.



Storage flexibility

The addition of one ClearLook™ door bin provides up to 23% more usable storage in the fresh food compartment than prior models. Durable and spacious, bins hold gallon-size containers with ease.



Best Temperature Management System You Can Buy!

Our exclusive ClimateKeeper™ system combines a number of components to provide exceptional temperature management:

- Upfront digital controls are precise and easy to use.
- More electronic sensors than our competitors' systems, and each is positioned for maximum effectiveness.
- Multiflow air system includes more vents than competitors' systems, and it uses exclusive fresh food and variable-speed freezer fans to keep temperatures consistent throughout the refrigerator.



Tall dispenser

The LightTouch! dispenser fills tall orders, accommodating everything from pitchers to blenders. The wide paddle dispenses water and ice at the slightest touch, and a Quick Ice™ feature produces up to 50% more ice than normal settings.

Not all features available on all models.

GE Profile Arctica™ Side-By-Side Models featuring CustomCool™ technology

These models include • Contoured doors • ClimateKeeper™ system • TurboCool™ setting • Upfront electronic touch temperature controls • **Digital temperature display** • **CustomCool technology** • FrostGuard™ technology • Beverage rack • Premium quiet design • Integrated shelf support system • QuickSpace™ shelf • Two slide-out, spill-proof glass shelves • ClearLook™ adjustable door bins • Gallon door storage • **Slide 'n Store™ full-extension freezer basket** • **Slide 'n Store Plus freezer basket** • Tilt-out wire freezer door bins • Contoured Profile handles • **Tri-level lighting** • NeverClean™ condenser

Dispenser models include • SmartWater™ Plus filtration system • Quick Ice™ feature • Water filter indicator light • LightTouch! tall dispenser with child lock and door alarm **Note: bold = feature upgrade from previous model**

ONLY GE HAS IT!



CustomCool technology chills food and beverages in minutes not hours, thaws frozen food in hours not days and allows you to select just-right temperatures for fruits and vegetables

ONLY GE HAS IT!



ClimateKeeper system combines a multiflow air system, electronic sensors and electronic touch controls to keep temperatures consistent and help preserve refrigerator contents.

ONLY GE HAS IT!



Slide 'n Store Plus freezer basket provides convenient storage for taller items, like pizza boxes.



Refreshment center provides easy access to frequently used items.



Not all features available on all models. For additional features, specifications and color availability, refer to page 166.

GE Profile™

Refreshment Center and Dispenser Models

PSS29NHN

• 28.7 cu. ft. capacity

PSS27NHN (not shown)

• 26.8 cu. ft. capacity

PSS27SHN Stainless steel (not shown)

• 26.8 cu. ft. capacity • Black handles and black dispenser

GE Profile

Dispenser Models

PSS29NGN (not shown)

• 28.6 cu. ft. capacity

PSS27NGN (not shown)

• 26.6 cu. ft. capacity

PSS27SGN Stainless steel (not shown)

• 26.6 cu. ft. capacity • Black handles and black dispenser

PSF26NGN High-gloss finish

• 25.5 cu. ft. capacity

PSS25NGN (not shown)

• 25.3 cu. ft. capacity

PSS25SGN Stainless steel (not shown)

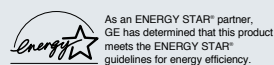
• 25.3 cu. ft. capacity • Black handles and black dispenser

Non-Dispenser Model

PSS25NCN (not shown)

• 25.2 cu. ft. capacity

Available July 2002



(Models PSF26NGN, PSS25NGN, PSS25SGN and PSS25NCN; models PSF26NGN, PSS25NGN and PSS25SGN exceed ENERGY STAR standards by more than 5%)

GE Profile Arctica Side-By-Side Models

These models include • Contoured doors • ClimateKeeper system • TurboCool setting • Upfront electronic touch temperature controls • FrostGuard technology • Beverage rack • SmartWater Plus filtration system • Quick Ice feature • Water filter indicator light • LightTouch! tall dispenser with child lock and door alarm • Premium quiet design • Integrated shelf support system • QuickSpace shelf • Two slide-out, spill-proof glass shelves • ClearLook adjustable door bins • Gallon door storage • Wire slide-out freezer baskets • Tilt-out wire freezer door bins • Contoured Profile handles • Dual-level lighting • NeverClean condenser

Note: bold = feature upgrade from previous model



Quick Ice feature provides up to 50% more ice than normal settings for parties and social gatherings.



Tall LightTouch! dispenser fills sport bottles, pitchers, even blenders! Delivers chilled filtered water, crushed or cubed ice.



Premium quiet design—GE's best noise reduction system.



TurboCool™ setting helps the refrigerator quickly restore the temperature when groceries or heated foods are placed inside.



GE Profile Dispenser Models

PSS27MGN

• **26.7 cu. ft. capacity**

PSS25MGN (not shown)

• **25.4 cu. ft. capacity**



As an ENERGY STAR® partner, GE has determined that this product meets the ENERGY STAR® guidelines for energy efficiency.

(Model PSS25MGN exceeds ENERGY STAR standards by more than 5%)

Not all features available on all models. For additional features, specifications and color availability, refer to page 166.

GE Profile Arctica CustomStyle™ Side-By-Side Refrigerators

Installed Trim Side-By-Side Models

Designed for today's discriminating consumers.

CustomStyle refrigerators with installed trim accept stainless steel or acrylic panels in white, black or bisque, all of which can be ordered from GE. To achieve a custom look, you can order wood panels from your cabinetmaker. You'll discover all kinds of ways to enhance your kitchen.



Optional Acrylic Panels

Choose stainless steel panels or acrylic panels in white, bisque or black.



Custom Wood Panels

Make and install your own custom wood panels to accent cabinetry.

Dispenser Models



PSI23NGN

Shown with optional black acrylic panels. Available in white, bisque or black.



PSI23NGN

Shown with custom wood panels. Available in white, bisque or black.



PSI23MGN

Shown with optional white acrylic panels. Available in white, bisque or black.



PSI23MGN

Shown with custom wood panels. Available in white, bisque or black.

Non-Dispenser Models



PSI23NCN

Shown with optional white acrylic panels. Available in white, bisque or black. Available July 2002.



PSI23NCN

Shown with custom wood panels. Available in white bisque, or black. Available July 2002.



Side-By-Side Refrigerators

Because they install nearly flush with the cabinets, these refrigerators save floor space. They don't stick out into the kitchen!

Optional collar trim: adding the final touch.

The optional collar trim is just another way GE lets you integrate our CustomStyle refrigerators into your kitchen decor. Available in stainless steel, white, bisque and black, this trim frames the refrigerator facade, adding to the finished look of a built-in, custom kitchen.

Collar trim:
TRMBISS, TRMBISWW,
TRMBISCC, TRMBISBB.



**Trimless
Side-By-Side Models**

Installation made easy, simply slide in.

The trimless CustomStyle units install by simply sliding into—way into—the space between cabinets. CustomStyle refrigerators, because they align with counters, instantly look built-in, and there’s nothing to attach or build. (Available in stainless steel, white, bisque and black.)

Dispenser Models



PSC23SHN
Stainless steel with contoured black handles.



PSC23NHN
Available in white, bisque or black.



PSC23SGN
Stainless steel with contoured black handles.



PSC23NGN
Available in white, bisque or black.

Dispenser Models



PSI23SGN*
Stainless steel with full-length stainless handles.



PSC23MGN
Available in white, bisque or black.



PSI23SCN
Stainless steel with full-length stainless handles.

Non-Dispenser Model

*ENERGY STAR® model PSH23SGN also available.

GE Profile Arctica CustomStyle™ Side-By-Side Models featuring CustomCool™ technology

These models include • ClimateKeeper™ system • TurboCool™ setting • Upfront electronic touch temperature controls • **Digital temperature display** • **CustomCool technology** • FrostGuard™ technology • Beverage rack • Premium quiet design • Integrated shelf support system • QuickSpace™ shelf • Two slide-out, spill-proof glass shelves • ClearLook™ adjustable door bins • Gallon door storage • **Slide 'n Store™ full-extension freezer basket** • **Slide 'n Store Plus freezer basket** • Tilt-out wire freezer door bins • **Tri-level lighting** • NeverClean™ condenser

Dispenser models include • SmartWater™ Plus filtration system • Quick Ice™ feature • Water filter indicator light • LightTouch! dispenser with child lock and door alarm

Note: bold = feature upgrade from previous model



ONLY GE HAS IT!

ClimateKeeper system combines a multiflow air system, electronic sensors and electronic touch controls to keep temperatures consistent and help preserve refrigerator contents.



ONLY GE HAS IT!

The ExpressThaw™ setting in the exclusive CustomCool pan safely thaws meats and other freezer items in hours, not days!



SmartWater Plus filtration system provides clean, better-tasting water and ice through the LightTouch! dispenser. (1 year/500gallons)



ONLY GE HAS IT!

Slide 'n Store Plus freezer basket provides convenient storage for taller items, like pizza boxes.



GE Profile™

Trimless Refreshment Center Dispenser Models

PSC23SHN Stainless steel

• 22.7 cu. ft. capacity • Trimless rounded doors, black contoured Profile handles and black dispenser

PSC23NHN (not shown)

• **22.7 cu. ft. capacity** • Trimless rounded doors and color-matched contoured Profile handles and dispenser

Trimless Dispenser Models

PSC23NGN (not shown)

• 22.6 cu. ft. capacity • Trimless rounded doors and color-matched contoured Profile handles and dispenser

PSC23SGN Stainless steel (not shown)

• 22.6 cu. ft. capacity • Trimless rounded doors, black contoured Profile handles and black dispenser

GE Profile

Installed Trim Dispenser Model

PSI23NGN

• 22.6 cu. ft. capacity • Squared doors • Full-length color-matched handles

Trimless Dispenser Models

PSI23SGN Stainless steel (not shown)

• 22.6 cu. ft. capacity • Squared doors, full-length handles with stainless steel appearance and black dispenser

PSH23SGN Stainless steel (not shown)

• 22.6 cu. ft. capacity • Squared doors, full-length handles with stainless steel appearance and black dispenser

Installed Trim Non-Dispenser Model

PSI23NCN (not shown)

• 22.6 cu. ft. capacity • Squared doors • Full-length color-matched handles
Available July 2002

Trimless Non-Dispenser Model

PSI23SCN Stainless steel (not shown)

• 22.6 cu. ft. capacity • Squared doors, full-length handles with stainless steel appearance
Available July 2002

Not all features available on all models.

For additional features, specifications and color availability, refer to page 167.



As an ENERGY STAR® partner, GE has determined that this product meets the ENERGY STAR® guidelines for energy efficiency.

(Model PSH23SGN)

GE Profile Arctica CustomStyle Side-By-Side Models

Side-By-Sides

These models include • ClimateKeeper system • TurboCool setting • Upfront electronic touch temperature controls • FrostGuard technology • Beverage rack • SmartWater Plus filtration system • Quick Ice feature • Water filter indicator light • LightTouch! dispenser with child lock and door alarm • Premium quiet design • Integrated shelf support system • QuickSpace shelf • Two slide-out, spill-proof glass shelves • ClearLook adjustable door bins • Gallon door storage • Wire slide-out freezers baskets • Tilt-out wire freezer door bins • Dual-level lighting • NeverClean condenser

Note bold = feature upgrade from previous model

Cooking Products



TurboCool™ setting helps the refrigerator quickly restore the temperature when groceries or heated foods are placed inside.



Upfront electronic touch temperature controls are easy to see and set.



FrostGuard technology reduces freezer burn by monitoring door openings and usage, defrosting only as needed.



Quick Ice feature provides up to 50% more ice than normal settings for parties and social gatherings.



GE Profile Trimless Dispenser Model

PSC23MGN

• 22.7 cu. ft. capacity • Trimless rounded doors and color-matched contoured Profile handles and dispenser

Microwave Ovens

Dishwashers



GE Profile Installed Trim Dispenser Model

PSI23MGN

• 22.7 cu. ft. capacity • Squared doors, full-length color-matched handles

Clothes Care

Water Systems

Air Conditioning

Not all features available on all models. For additional features, specifications and color availability, refer to page 167.

GE® Side-By-Side “L” Series Model: 25 cu. ft.

These models include • Upfront electronic touch temperature controls • FrostGuard™ technology • SmartWater™ Plus filtration system • LightTouch! tall dispenser with child lock **and door alarm** • Water filter indicator light • **Integrated shelf support system** • QuickSpace™ shelf • Two adjustable slide-out, spill-proof glass shelves • Snack pan • Adjustable humidity vegetable/fruit crisper • Adjustable temperature deli pan • **Three wire slide-out freezer baskets** • **Tilt-out wire freezer bin** • Deluxe quiet design • Dual-level lighting • NeverClean™ condenser

Note: bold = feature upgrade from previous model



Integrated shelf support system offers maximum storage flexibility with easy-to-remove shelves.



Upfront electronic touch temperature controls are easy to see and set.



GE
Dispenser Model

GSS25LGM

• 25.4 cu. ft. capacity

GSS25LSM Stainless steel
(not shown)

• 25.4 cu. ft. capacity • Black handles and black dispenser



As an ENERGY STAR® partner, GE has determined that this product meets the ENERGY STAR® guidelines for energy efficiency.

(Models GSS25LGM and GSS25LSM)

GE Side-By-Side “S” Series Models: 25 to 22 cu. ft.

These models include • Upfront electronic temperature controls • FrostGuard technology • SmartWater Plus filtration system • LightTouch! tall dispenser with child lock • Water filter indicator light • QuickSpace shelf • Two adjustable slide-out, spill-proof glass shelves • Snack pan • Adjustable humidity vegetable/fruit crisper • Adjustable temperature deli pan • Adjustable gallon door storage • Four wire freezer shelves, three adjustable • One wire slide-out freezer basket • Deluxe quiet design • Dual-level lighting • NeverClean condenser • **Black handles and dispenser trim**

Note: bold = feature upgrade from previous model



Convenient upfront electronic temperature controls are easy to see and set.



QuickSpace shelf slides back easily for tall items, maximizing storage space.



GE
Dispenser Models

GSS25SGM Stainless steel
(not shown)

• **24.9 cu. ft. capacity**

GSS22SGM Stainless steel
• 21.8 cu. ft. capacity

Not all features available on all models. For additional features, specifications and color availability, refer to page 170.

GE Side-By-Side “K” Series Models: 25 to 22 cu. ft.

- These models include** • Upfront electronic temperature controls • FrostGuard technology • SmartWater Plus filtration system • LightTouch! tall dispenser **with child lock** • Water filter indicator light • **QuickSpace shelf** • Two adjustable slide-out, spill-proof glass shelves • Snack pan • Adjustable humidity vegetable/fruit crisper • Adjustable temperature deli pan • Adjustable gallon door storage • Four wire freezer shelves, three adjustable • One wire slide-out freezer basket • Deluxe quiet design • Dual-level lighting • NeverClean condenser
- Note: bold = feature upgrade from previous model**



Tall LightTouch! dispenser fills sport bottles, pitchers, even blenders! Delivers chilled filtered water, crushed or cubed ice.



QuickSpace shelf slides back, at the touch of a finger, to make storing tall or large items easy.



GE
Dispenser Models
GSH25KGM
• 24.9 cu. ft. capacity
GSH22KGM (not shown)
• 21.8 cu. ft. capacity



As an ENERGY STAR® partner, GE has determined that this product meets the ENERGY STAR® guidelines for energy efficiency.

(Models GSH22KGM and GSH25KGM)

GE Side-By-Side “W” Exclusive Builder Series Models: 25 to 22 cu. ft.

- These models include** • Upfront electronic temperature controls • FrostGuard technology • **SmartWater Plus filtration system** • LightTouch! tall dispenser • **Water filter indicator light** • **Three adjustable slide-out, spill-proof glass shelves** • Adjustable temperature deli pan • **Adjustable humidity vegetable/fruit crisper** • Gallon door storage • **Snack pan** • **One slide-out wire freezer basket** • Deluxe quiet design • **Premium handles** • Dual-level lighting • NeverClean condenser
- Note: bold = feature upgrade from previous model**



Slide-out, spill-proof shelves help contain spills for ease of cleaning.



SmartWater Plus filtration system with indicator light provides clean, better-tasting water and ice through the LightTouch! dispenser. (1 year/500 gallons)



GE
Dispenser Models
GSS25WGM
• 24.9 cu. ft. capacity
GSS22WGM (not shown)
• 21.8 cu. ft. capacity

Not all features available on all models. For additional features, specifications and color availability, refer to page 170.

GE® Side-By-Side “J” Series Models: 25 to 22 cu. ft.

These models include • Upfront electronic temperature controls • FrostGuard™ technology • LightTouch! tall dispenser • **Three adjustable spill-proof glass shelves** • Sealed crisper • Adjustable temperature deli pan • Adjustable gallon door storage • Deluxe quiet design • **Dual-level lighting** • NeverClean™ condenser **Note: bold = feature upgrade from previous model**



Spill-proof shelves help contain spills for ease of cleaning.



Sealed crisper and adjustable temperature deli pan keep foods fresh longer.



GE Dispenser Models

GSS25JEM (not shown)

• 24.9 cu. ft. capacity

GSS22JEM

• 21.8 cu. ft. capacity

GE Side-By-Side “I” Series Models: 22 to 20 cu. ft.

These models include • Upfront electronic temperature controls • FrostGuard technology • **Three adjustable glass shelves** • Sealed crisper • Gallon storage door bins • Deluxe quiet design • NeverClean condenser **Note: bold = feature upgrade from previous model**



Fresh food gallon door storage provides maximum storage flexibility.



Deluxe quiet design—quiet components and insulation allow for quiet operation.



GE Dispenser Model

GSS20IEM

• 19.9 cu. ft. capacity

• **LightTouch! tall dispenser**

• **Adjustable temperature deli pan**

Non-Dispenser Models

GSS22IBM

• 21.7 cu. ft. capacity • **Two adjustable fresh food door bins**

• Sealed deli pan • Equipped for optional electronic icemaker

GSS20IBM (not shown)

• 19.8 cu. ft. capacity • Sealed deli pan • Equipped for optional electronic icemaker

GE Side-By-Side “D” Series Model: 20 cu. ft.

This model includes • Upfront electronic temperature controls • FrostGuard technology • Three wire fresh food shelves • Equipped for optional electronic icemaker • Sealed crisper • Sealed deli pan • Four fresh food door bins, two with gallon storage • Four wire freezer shelves, three adjustable • Deluxe quiet design • NeverClean condenser

Note: bold = feature upgrade from previous model



Deluxe quiet design—quiet components and insulation allow for quiet operation.



Gallon door storage accommodates gallon containers for quick access to most-used items.



GE
Non-Dispenser Model
GSS20DBM
• 19.8 cu. ft. capacity

Not all features available on all models. For additional features, specifications and color availability, refer to page 171.

GE Profile Arctica™ Top-Freezer Refrigerators

Top Performance.

Elegant curvaceous design graces Arctica top-freezer refrigerators, which are distinguished by radius doors and rounded storage bins.

Arctica's performance is even more dramatic.

The innovative ClimateKeeper™ system adapts to levels of activity and location, keeping the temperature on an even keel.

Arctica top-freezers not only provide precise temperature management, but they also offer optimal ease and accessibility.

Adjustable storage bins put all contents within convenient reach, while the dual fresh food lighting system and freezer dome light let you fully satisfy your midnight cravings.



ONLY GE HAS IT!

Rapid recovery

Exclusive ClimateKeeper system quickly recovers from such variables as frequent door openings and changes in external temperature.



ONLY GE HAS IT!

Freezer innovation

Exclusive FrostGuard™ technology reduces freezer burn.



Stunningly styled inside and out, the GE Profile Arctica top-freezer refrigerators give you a brand-new way to enhance your kitchen.

GE Profile Arctica Top-Freezer Models: 25 to 22 cu. ft.

These models include • Upfront electronic touch temperature controls • ClimateKeeper system • FrostGuard technology • Premium quiet design • ShelfSaver™ rack • Lift-off, slide-out, spill-proof glass shelves, four adjustable/split • Two adjustable humidity vegetable/fruit crispers • Adjustable temperature deli pan • Pivot-out pan removal system • One full-width, fixed tall bottle door bin • ClearLook™ adjustable gallon door bins • Equipped for optional electronic icemaker • Spill-proof freezer floor • Tilt-out locking freezer door bin • Dual-level lighting • NeverClean™ condenser

Note: bold = feature upgrade from previous model



Convenient upfront electronic touch temperature controls are extremely accurate, easy to see and easy to set.

ONLY GE HAS IT!



Pivot-out pan removal system makes cleaning crispers easier than ever.

ONLY GE HAS IT!



Locking tilt-out freezer bin conveniently tilts forward for easy access to items stored inside.



Seamless spill-proof freezer floor design makes freezer cleanup simple!



GE Profile™ Non-Dispenser Models

PTS25SBM Stainless steel (not shown)

• **24.6 cu. ft. capacity**

PTS22SBN Stainless steel (not shown)


• **21.7 cu. ft. capacity**

PTS25LBM (not shown)

• **24.6 cu. ft. capacity**

PTS22LBN

• **21.7 cu. ft. capacity**

 As an ENERGY STAR® partner, GE has determined that this product meets the ENERGY STAR® guidelines for energy efficiency.

(Models PTS22SBN and PTS22LBN)

Not all features available on all models. For additional features, specifications and color availability, refer to page 172.

GE Profile CustomStyle™ Top-Freezer Refrigerators

Installed Trim Top-Freezer Models

Designed for today's discriminating consumers.

CustomStyle refrigerators with installed trim accept stainless steel panels or acrylic panels in white or black, all of which can be ordered from GE. To achieve a custom look, you can order wood panels from your cabinetmaker. You'll discover all kinds of ways to enhance your kitchen.



Optional Acrylic Panels

Choose stainless steel panels or acrylic panels in white or black.

Custom Wood Panels

Make and install your own custom wood panels to accent cabinetry.

Dispenser Models



PTI22SFM
Shown with installed stainless steel panels.



PTI22MFM
Shown with optional white acrylic panels. Available in white or black.



PTI22MFM
Shown with optional stainless steel panels. Available in white or black.



PTI22MFM
Shown with custom wood panels. Available in white or black.

Non-Dispenser Models



PTI22MBM
Shown with optional black acrylic panels. Available in white or black.



PTI22MBM
Shown with optional stainless steel panels. Available in white or black.



PTI22MBM
Shown with custom wood panels. Available in white or black.



Top-Freezer Refrigerators

Because they install nearly flush with the cabinets, these refrigerators save floor space. They don't stick out into the kitchen!

Optional collar trim: adding the final touch.

The optional collar trim is just another way GE lets you integrate our CustomStyle refrigerators into your kitchen decor. Available in stainless steel, white and black, this trim frames the refrigerator facade, adding to the finished look of a built-in, custom kitchen.

Collar trim:
TRMBISSS, TRMBISWW,
TRMBISBB.



Trimless Top-Freezer Models

Installation made easy, simply slide in.

The trimless CustomStyle units install by simply sliding into—way into—the space between cabinets. CustomStyle refrigerators, because they align with counters, instantly look built-in, and there’s nothing to attach or build. (Available in stainless steel, white, bisque and black.)

Dispenser Models



PTC22SFM
Stainless steel.



PTC22MFM
Available in white, bisque or black.

Non-Dispenser Models



PTC22SBM
Stainless steel.



PTC22MBM
Available in white or black.

GE Profile CustomStyle™ Top-Freezer Models: 22 cu. ft.

These models include • Upfront illuminated temperature controls • Beverage rack • QuickSpace™ shelf • Adjustable slide-out, spill-proof glass shelves • Two adjustable humidity vegetable/fruit crispers • Slide-out, spill-proof crisper cover • ClearLook™ gallon door bins • Adjustable temperature meat pan • Dairy compartment • Upfront fresh food lighting • Deluxe quiet design • NeverClean™ condenser

Dispenser models include • LightTouch! dispenser delivers cubes, crushed ice and chilled water • SmartWater™ filtration system

Note: bold = feature upgrade from previous model



SmartWater™ filtration system provides clean, better-tasting water and ice through the LightTouch! dispenser. (6 months/300 gallons)



QuickSpace shelf slides back to store tall items.



ClearLook adjustable door bins store gallon containers with ease.



LightTouch! dispenser delivers cubes, crushed ice and chilled water.



GE Profile™

Trimless Dispenser Models

PTC22SFM Stainless steel

• 21.7 cu. ft. capacity • Trimless rounded doors, black contoured Profile handles and black dispenser

PTC22MFM (not shown)

• 21.7 cu. ft. capacity • Trimless rounded doors and contoured Profile handles

Trimless Non-Dispenser Models

PTC22SBM Stainless steel (not shown)

• 21.9 cu. ft. capacity • Trimless rounded doors, black contoured Profile handles • Equipped for optional electronic icemaker

PTC22MBM (not shown)

• 21.9 cu. ft. capacity • Trimless rounded doors and contoured Profile handles • Equipped for optional electronic icemaker



As an ENERGY STAR® partner, GE has determined that this product meets the ENERGY STAR® guidelines for energy efficiency.

(Models PTC22SFM and PTC22MFM)

GE Profile

Installed Trim Dispenser Models

PTI22SFM Stainless steel

• 21.7 cu. ft. capacity • Factory-installed stainless steel panels, trim, full-length handles and black dispenser

PTI22MFM (not shown)

• 21.7 cu. ft. capacity

Installed Trim Non-Dispenser Model

PTI22MBM (not shown)

• 21.9 cu. ft. capacity • Equipped for optional electronic icemaker



As an ENERGY STAR® partner, GE has determined that this product meets the ENERGY STAR® guidelines for energy efficiency.

(Models PTI22SFM and PTI22MFM)

GE® Top-Freezer “W” Exclusive Builder Series Models: 22 to 18 cu. ft.

These models include • Upfront illuminated temperature controls • Dual-level lighting • **Factory-installed electronic icemaker** • Four adjustable **slide-out**, spill-proof, easy **liftoff** glass shelves • Three modular gallon door bins • One fixed tall bottle door bin • Snack pan • Two adjustable humidity vegetable/fruit crispers • Spill-proof freezer floor • Tilt-out locking freezer door bin • Deluxe quiet design • Freezer dome light • NeverClean condenser

Note: bold = feature upgrade from previous model



ONLY GE HAS IT!

FrostGuard technology reduces freezer burn by monitoring door openings and usage, defrosting only as needed (22 cu. ft. model only).



Liftoff, slide-out, spill-proof glass shelves easily detach from the frame and have recessed edges to catch spills, making cleanup a breeze.



GE Icemaker Models
GTS22WCM
 • 21.7 cu. ft. capacity
 • FrostGuard™ technology
 • Pivot-out pan removal system • Electronic temperature sensors
GTS18WCM (not shown)
 • 17.9 cu. ft. capacity

GE Top-Freezer “K” Series Models: 22 to 18 cu. ft.

These models include • Upfront illuminated temperature controls • Dual-level lighting • **Four adjustable spill-proof glass shelves** • **Three modular gallon door bins** • One fixed tall bottle door bin • Snack pan • **Two adjustable humidity vegetable/fruit crispers** • Spill-proof freezer floor • **Tilt-out locking freezer door bin** • Deluxe quiet design • **Freezer dome light** • NeverClean condenser

Note: bold = feature upgrade from previous model



ONLY GE HAS IT!

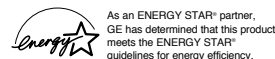
Locking tilt-out freezer door bin conveniently tilts forward for easy access to items stored inside.



Modular gallon door bins store gallon containers with ease.



GE Non-Icemaker Models
GTS22KBM
 • 21.7 cu. ft. capacity • FrostGuard technology
 • Pivot-out pan removal system • Electronic temperature sensors • Equipped for optional electronic icemaker
GTH22SBN Stainless steel (not shown)
 • 21.7 cu. ft. capacity • FrostGuard technology
 • Pivot-out pan removal system • Electronic temperature sensors • Equipped for optional electronic icemaker
GTS18KBM (not shown)
 • 17.9 cu. ft. capacity • Equipped for optional electronic icemaker
GTH18KBM (not shown)
 • 17.9 cu. ft. capacity • Equipped for optional electronic icemaker



(Models GTH22SBN and GTH18KBM)

Not all features available on all models. For additional features, specifications and color availability, refer to page 175.

GE® Top-Freezer “I” Series Models: 22 to 18 cu. ft.

These models include • Upfront illuminated temperature controls • Dual-level lighting • Three glass shelves, two adjustable split and one full-width • Two vegetable/fruit crispers • Snack pan • **Two full-width encapsulated door bins, one with gallon storage** • **Spill-proof freezer floor** • Deluxe quiet design • NeverClean™ condenser

Note: bold = feature upgrade from previous model



Gallon door storage accommodates gallon containers for quick access to most-used items.



Seamless spill-proof freezer floor design makes freezer cleanup simple!



GE Icemaker Models

GTS22ICM (not shown)
• 21.8 cu. ft. capacity • FrostGuard™ technology
• Pivot-out pan removal system • Electronic temperature sensors
GTS18ICM
• 17.9 cu. ft. capacity

Non-Icemaker Models

GTS22IBM (not shown)
• 21.8 cu. ft. capacity • FrostGuard technology
• Pivot-out pan removal system • Electronic temperature sensors • Equipped for optional electronic icemaker
GTS18IBM (not shown)
• 17.9 cu. ft. capacity • Equipped for optional electronic icemaker
GTH18IBM (not shown)
• 17.9 cu. ft. capacity • Equipped for optional electronic icemaker



As an ENERGY STAR® partner, GE has determined that this product meets the ENERGY STAR® guidelines for energy efficiency.

(Model GTH18IBM)

GE Top-Freezer “D” Series Model: 18 cu. ft.

These models include • Upfront temperature controls • Upfront fresh food lighting • Three wire shelves, two adjustable split and one full-width • Two vegetable/fruit crispers • Snack pan • **Three door shelves with gallon storage** • Deluxe quiet design • NeverClean condenser

Note: bold = feature upgrade from previous model



Upfront temperature controls are easy to see and set.



GE Icemaker Model

GTS18DCM
• 17.9 cu. ft. capacity • **Equipped with factory-installed electronic icemaker**

Non-Icemaker Models

GTS18DBM (not shown)
• 17.9 cu. ft. capacity • Equipped for optional electronic icemaker
GTH18DBM (not shown)
• 17.9 cu. ft. capacity • Equipped for optional electronic icemaker



As an ENERGY STAR® partner, GE has determined that this product meets the ENERGY STAR® guidelines for energy efficiency.

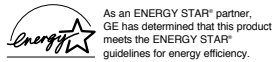
(Model GTH18DBM)

Not all features available on all models. For additional features, specifications and color availability, refer to pages 175-176.

GE Top-Freezer "B" Series Models: 18 to 15 cu. ft.

These models include • Upfront temperature controls • Two vegetable/fruit crispers • Two fixed door shelves with tall bottle storage • Two adjustable wire full-width shelves • Two fixed freezer door shelves • Deluxe quiet design • NeverClean condenser

Note: bold = feature upgrade from previous model



(Model GTH15BBM)

GE Non-Icemaker Models

GTR18BBM

- **17.6 cu. ft. capacity** • Recessed handles
- Equipped for optional electronic icemaker

GTS17BBM (not shown)

- 16.9 cu. ft. capacity • Equipped for optional electronic icemaker

GTR17BBM (not shown)

- **16.9 cu. ft. capacity** • Recessed handles
- Equipped for optional electronic icemaker

GTS15BBM (not shown)

- 14.6 cu. ft. capacity • Equipped for optional electronic icemaker

GTH15BBM (not shown)

- 14.6 cu. ft. capacity • Equipped for optional electronic icemaker

GTR15BBM (not shown)

- 14.6 cu. ft. capacity • Recessed handles
- Equipped for optional electronic icemaker

Icemaker Models

GTS17BCM (not shown)

- **16.9 cu. ft. capacity**

GTS15BCM (not shown)

- 14.6 cu. ft. capacity

GE Top-Freezer "A" Series Model: 10 cu. ft.

This model includes • Upfront temperature controls • Two wire full-width shelves • One wire full-width freezer shelf • One full-width vegetable/fruit crisper • Deluxe quiet design

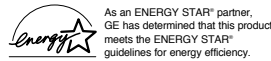
Note: bold = feature upgrade from previous model



GE Non-Icemaker Model

GTS10AAM

- **10.3 cu. ft. capacity**



(Model GTS10AAM)

Not all features available on all models. For additional features, specifications and color availability, refer to page 176.

GE® Top-Freezer Cycle and Manual Defrost Refrigerators

These models include • Two adjustable wire cabinet shelves • Tall bottle storage

Note: bold = feature upgrade from previous model



Wire shelves minimize shuffling and restacking of food.



Full-width crisper provides easy access to fruits and vegetables.



GE
Cycle Defrost Model

GFR12AAM

- 11.7 cu. ft. capacity
- Three door shelves
- Two clear vegetable/fruit crispers



GE
Manual Defrost Model

GMS10AAM

- 9.6 cu. ft. capacity
- Five door shelves (two egg)
- Full-width vegetable/fruit crisper

GE Profile™ Bottom-Freezer Models: 21 to 18 cu. ft.

These models include • ShelfSaver™ rack • Adjustable humidity vegetable/fruit crispers • Snack pan • Modular gallon door bins
 • Deluxe quiet design • Equipped for optional automatic icemaker **Note: bold = feature upgrade from previous model**



Spill-proof shelves help contain spills for ease of cleaning.



ShelfSaver rack provides space for odd shapes and sizes.



Brita filtered water door module holds nearly two gallons of water (18 cu. ft. models only).



Slide 'n Store freezer drawer provides easy access to frozen foods.



GE Profile Bottom-Freezer Drawer Model

- PDS21SBM Stainless steel**
- **20.5 cu. ft. capacity** • Four adjustable split, spill-proof glass shelves (**three slide-out**)
 - **Two full-width, Slide 'n Store™ freezer baskets** • Full-length extruded handles



GE Profile Bottom-Freezer Drawer Models

- PDS18LBM**
- 18.1 cu. ft. capacity • Brita® filtered water door module • Four adjustable split, spill-proof glass shelves (two slide-out)
 - One full-width, two split Slide 'n Store freezer baskets • Full grip, side-mounted color-matched handle
- PDS18SBM Stainless steel (not shown)**
- 18.1 cu. ft. capacity • Brita filtered water door module • Four adjustable split, spill-proof glass shelves (two slide-out)
 - One full-width, two split Slide 'n Store freezer baskets • Stainless steel tubular door handles (must choose left or right hand door opening)

Not all features available on all models. For additional features, specifications and color availability, refer to page 178.

GE® Bottom-Freezer Models: 22 to 18 cu. ft.

These models include • Adjustable humidity vegetable/fruit crispers • Snack pan • Modular gallon door bins • Full-width sliding freezer basket • Deluxe quiet design • Equipped for optional automatic icemaker

Note: bold = feature upgrade from previous model



Modular fresh food gallon door storage provides maximum storage flexibility.



Spill-proof shelves help contain spills for ease of cleaning.



ShelfSaver rack provides space for odd shapes and sizes.



GE Bottom-Freezer Door Model **GBS22LBM**

- **21.7 cu. ft. capacity** • ShelfSaver™ rack
- Four adjustable split, spill-proof glass shelves (**three slide-out**) • One full-width freezer shelf • **Two full-width freezer door shelves** • **Freezer door can storage**
- Full-length extruded handles



GE Bottom-Freezer Door Model **GBS18KBM**

- 18.1 cu. ft. capacity • Four adjustable split, spill-proof glass shelves • Two split freezer shelves • Full grip, side-mounted color-matched handles

GE Wine Cooler: 3.0 cu. ft.



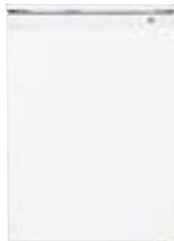
GE
Wine Cooler
GWR03AAM
• 2.4 cu. ft. capacity • Four removable shelves (holds 24 bottles) • Clear glass door • Exterior temperature control knob

GE Spacemaker™ Compact Refrigerators: 6.0 to 1.7 cu. ft.

Note: bold = feature upgrade from previous model



GE
Compact Model
GMR06AAM
• **6.0 cu. ft. capacity** • Two adjustable cabinet shelves • Three full-width door shelves • Interior light • Optional black panel and door handle available with TK6 trim kit



GE
Compact Model
GMR04BAN (not shown)
• **4.3 cu. ft. capacity** • Two and one half wire cabinet shelves • **One full-width, two half-width door shelves** • **Can rack**
GMR02BAN
• 1.7 cu. ft. capacity • One slide-out wire cabinet shelf • One full-width, one half-width door shelves

Compacts

Cooking Products

Microwave Ovens

Dishwashers

Clothes Care

Water Systems

Air Conditioning

Not all features available on all models.
For additional features, specifications and color availability, refer to page 179.

GE® Chest Freezers

These models include

- Adjustable temperature control
- Upfront defrost water drain

Note: **bold** = feature upgrade from previous model



Lift-out and sliding wire baskets simplify loading and unloading.



Interior light brightens for easy access.



GE Chest Freezer Models

- FCM25RM** (not shown)
- **25.1 cu. ft. capacity** • **Four lift-out and sliding bulk storage baskets** • Interior light • Built-in lock
 - Limited food loss warranty*

- FCM20DM**
- **19.7 cu. ft. capacity** • **Three lift-out and sliding bulk storage baskets** • Interior light • Built-in lock
 - Limited food loss warranty*

- FCM15DM** (not shown)
- **14.8 cu. ft. capacity** • **Two lift-out and sliding bulk storage baskets** • Interior light • Built-in lock
 - Limited food loss warranty*



GE Chest Freezer Model

- FCM15SM**
- **14.8 cu. ft. capacity** • One lift-out and sliding bulk storage basket • Limited food loss warranty*



GE Chest Freezer Models

- FCM9DM**
- **8.8 cu. ft. capacity** • Two lift-out and sliding bulk storage baskets • Interior light
 - Built-in lock • Limited food loss warranty*

- FCM7DN** (not shown)
- **7.0 cu. ft. capacity** • **Two lift-out and sliding bulk storage baskets** • Power "ON" light • Built-in lock • Limited food loss warranty*



GE Chest Freezer Models

- FCM5DM**
- **5.0 cu. ft. capacity** • Two lift-out and sliding bulk storage baskets • Power "ON" light • Built-in lock

- FCM5SM** (not shown)
- **5.0 cu. ft. capacity** • One lift-out and sliding bulk storage basket

*See written warranty for complete details.

Not all features available on all models. For additional features, specifications and color availability, refer to page 180.

Upright Freezers

These models include • Adjustable temperature control • Limited food loss warranty*

Note: bold = feature upgrade from previous model



Refrigerated cabinet shelves keep items extra cool.



Slide-out bulk storage basket for maximum freezer capacity.



Safety lock provides security.



GE
Deluxe Upright Frost-Free Models
FUF20DM

- **20.3 cu. ft. capacity** • One slide-out bulk storage basket • **Five cabinet shelves, three adjustable**
- **Six door shelves** • Built-in lock • Interior light

- FUF17DM** (not shown)
- **16.7 cu. ft. capacity** • One slide-out bulk storage basket • **Four cabinet shelves, three adjustable**
 - **Five door shelves** • Built-in lock • Interior light

- FUF14DM** (not shown)
- **13.7 cu. ft. capacity** • One slide-out bulk storage basket • **Three cabinet shelves, two adjustable**
 - **Five door shelves** • Built-in lock • Interior light



GE
Deluxe Upright Manual Defrost Models
FUM21DM (not shown)

- **20.6 cu. ft. capacity** • One slide-out bulk storage basket
- **Five cabinet shelves, one adjustable** • **Six door shelves**
- Built-in lock • Interior light • Defrost water drain

- FUM17DM**
- **17.1 cu. ft. capacity** • One slide-out bulk storage basket
 - **Four cabinet shelves, one adjustable** • **Five door shelves**
 - Built-in lock • Interior light • Defrost water drain

- FUM14DM** (not shown)
- **14.1 cu. ft. capacity** • One slide-out bulk storage basket
 - **Four cabinet shelves, one adjustable** • **Five door shelves**
 - Built-in lock • Interior light • Defrost water drain



GE
Standard Upright Manual Defrost Models
FUM14SM

- **14.1 cu. ft. capacity** • **Three cabinet shelves**
- **Five door shelves** • **Defrost water drain**

- FUM5SM** (not shown)
- **5.0 cu. ft. capacity** • **Two cabinet shelves**
 - **Three door shelves**

*See written warranty for complete details.

Not all features available on all models. For additional features, specifications and color availability, refer to page 180.

Technology for discriminating tastes and demanding schedules.

At today's busy speed of life, putting

healthy, home-cooked meals on

the table can be a real challenge. The

solution is **Advantium™** Speedcook

technology, a revolutionary cooking

process that uses light to deliver

fast, flavorful results. This

award-winning light technology

is available in the **Advantium** oven

and the **Advantium 120** oven.

Both offer a change of cooking

pace, bringing tremendous

convenience to your kitchen.

Speed performance

Imagine the luxury of preparing a salmon steak in less time than it takes to set the table. Or the convenience of baking potatoes in four minutes with the press of a button. This is the extraordinary capability of Advantium Speedcook technology.



Oven-quality performance

Advantium ovens cook amazingly fast, with great-tasting results. Foods not only cook faster with light, but they also retain their natural juices, moisture and flavor.



Versatility

Advantium ovens let you prepare meals you never dreamed of cooking during the week. These ovens bake, broil, brown, roast and grill, with no preheating. And for added time savings, they convert to microwave ovens.



Installation flexibility

The Advantium wall oven can be installed by itself, over a traditional wall oven or over a warming drawer. The Advantium above-the-cooktop ovens can be conveniently located over a counter, range or cooktop.





Refrigeration

Advantium™ Ovens

Microwave Ovens

Dishwashers

Clothes Care

Water Systems

Air Conditioning

Great-tasting food up to eight times faster!*

Providing the technology you need when time is of the essence, the Advantium oven proves that faster is better.

The Advantium oven harnesses the energy of light to deliver great-tasting food in mere minutes.

Its revolutionary Speedcook technology bakes, broils, browns, roasts and even grills food, with no preheating!

Serve mouth-watering filet mignon in 6 minutes,
Oriental glazed salmon in 5 minutes
or spinach quiche in 13 minutes.

The possibilities are almost endless!

*Compared to a conventional oven.

Favorite foods cook in minutes. Compare the Advantium oven to a conventional oven.

Food	Advantium Oven	Conventional Oven
Whole Chicken	20 minutes	119 minutes
Breaded Seafood Filets	3-1/2 minutes	38 minutes
Crescent Rolls	4-1/2 minutes	18 minutes
Chocolate Chip Cookies	4 minutes	16 minutes
Baked Potatoes	4 minutes	83 minutes
Pepperoni Pizza	5-1/2 minutes	23-1/2 minutes





Speedcook technology harnesses the power of light to cook foods up to eight times faster than a conventional oven. And there's no preheating required.



The Advantium oven delivers great-tasting food, fast. Rolls are browned to golden perfection in 4-1/2 minutes. And filet mignon is moist and flavorful within 6 minutes.



The revolutionary Advantium oven comes preprogrammed with more than 100 of your favorite dishes. With the easy-to-use controls, just select your dish, press start and get ready to eat.



Cooking at home costs less— less than restaurant food, less than gourmet carryout. And with no preheating and shorter cook times, the Advantium oven saves time.

GE Profile Advantium™ Wall Ovens

These models include • More than 100 preprogrammed menu items • 200-dish cookbook • Cooking conversion guide with tips • Microwave with sensor • Four cooking trays: three for speedcooking, one for microwave mode • Family-size, easy-to-clean stainless steel interior • Complete cooking reminder • Child lockout • Custom recipe saver



GE Profile™
Wall Oven
SCB2001CSS Stainless steel



GE Profile™
Wall Oven
SCB2000CCC Bisque on bisque
SCB2000CWW White on white (not shown)
SCB2000CBB Black on black (not shown)

Not all features available on all models.
For additional features, specifications and
color availability, refer to page 183.

GE Profile Advantium™ Above-the-Cooktop Ovens

These models include • More than 100 preprogrammed menu items • 200-dish cookbook • Cooking conversion guide with tips
 • Microwave mode • Four cooking trays: three for speedcooking, one for microwave mode • Family-size, easy-to-clean stainless steel interior
 • Complete cooking reminder • Child lockout • Custom recipe saver • Full-view cooktop lighting



GE Profile™
Above-the-Cooktop Oven
SCA2001BSS Stainless steel



GE Profile™
Above-the-Cooktop Oven
SCA2000BBB Black on black
SCA2000BWW White on white (not shown)
SCA2000BCC Bisque on bisque (not shown)

Not all features available on all models.
 For additional features, specifications and color availability, refer to page 182.

The GE Profile Advantium™ 120 Oven

Great-tasting food up to four times faster!*

Unlike conventional ovens that take their own sweet time, the Advantium 120 cooks with light to deliver great-tasting meals in minutes. Combining speed and versatility, the Advantium 120 oven helps you rediscover the joy of cooking!

This well-rounded oven offers revolutionary Speedcook technology, along with traditional oven, microwave and warming capabilities. It cooks up everything from pizza to peach cobbler—fast!

*Compared to a conventional oven.

Favorite foods cook in minutes. Compare the Advantium 120 oven to a conventional oven.

Food	Advantium 120 Oven	Conventional Oven
Whole Chicken	40 minutes	119 minutes
Breaded Seafood Filets	13 minutes	38 minutes
Crescent Rolls	10 minutes	18 minutes
Chocolate Chip Cookies	10 minutes	16 minutes
Baked Potatoes	11 minutes	83 minutes
Pepperoni Pizza	13 minutes	23-1/2 minutes



The flexible, above-the-cooktop configuration makes the most of your kitchen space and installs with ease. Just mount it over a counter, range or cooktop and plug it into any standard 120-volt power outlet.



The Advantium 120 oven offers a full range of cooking modes including Speedcook, traditional oven, microwave and warming.

GE Profile Advantium™ 120 Above-the-Cooktop Ovens

These models include • Four cooking modes: Speedcook, traditional oven, microwave and warming • More than 100 preprogrammed menu items • 200-dish cookbook • Cooking conversion guide with tips • Sophisticated contoured design • Family-size, easy-to-clean stainless steel interior • Custom recipe saver • Complete cooking reminder • Child lockout • Full-view halogen cooktop lighting



GE Profile™
Above-the-Cooktop Oven
SCA1001FSS Stainless steel
 Available April 2002



GE Profile™
Above-the-Cooktop Oven
SCA1000DWW White on white
SCA1000DBB Black on Black (not shown)
SCA1000DCC Bisque on bisque (not shown)

Not all features available on all models.
 For additional features, specifications and color availability, refer to page 182.

GE provides cooking inspiration through innovation.

GE helps you make the most of your meals, bringing innovation to

every aspect of your cooking needs.

Our cooking products cater to your

flexibility requirements with a

wide range of heat settings and smooth,

easy-to-clean surfaces. They also

make a high-performance contribution

with advanced cooking capabilities

and an array of convenience

functions. And when it comes to style,

GE offers a variety of attractive

options. Whether you choose black

or stainless, built-in or slide-in,

you're sure to find the perfect

complement to your decor.

Gas cooktops

Our gas cooktops boast 15,000 BTUs of cooking power, delivering incredible cooking flexibility with an 11,000-BTU, a 9,100-BTU, and a 6,000-BTU burner for simmering.



Electric cooktops

Our electric cooktop line gives you a vast array of versatile options. Expandable heating elements, electronic controls and a warming zone are just a few of the many conveniences.



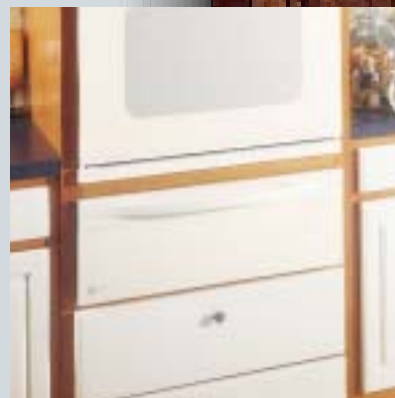
Built-in wall ovens

Built-in wall ovens make a dramatic design statement. Installed in a wall, under a counter or in a cabinet, these ovens integrate beautifully into any kitchen.



Warming drawers

GE's essential warming drawer helps you keep just-cooked foods warm while you're waiting for guests or preparing other dishes.





Refrigeration

Built-In Cooking

Microwave Ovens

Dishwashers

Clothes Care

Water Systems

Air Conditioning

GE Built-In Single and Double Wall Ovens

GE Profile™ wall ovens perform beautifully in any kitchen.

GE Profile wall ovens give you everything you need to get cooking. The largest* oven capacity in America and seven rack positions give you the flexibility to cook more food at once. Perfect for holidays and dinner parties! Among the many convenient features is the proof setting, which allows dough to rise more quickly and efficiently.

GE Profile wall ovens also offer true European convection cooking by means of a third dual loop heating element located on the back wall. The result is uniform heating throughout the oven interior for superior cooking results.



The versatile design works with every cooking style, every kitchen.

Versatility extends to installation, as well. GE wall ovens go wherever they're needed: in a wall, cabinet or under a counter. These wall ovens fit into common cutouts, making it easy to upgrade or replace an older GE wall oven. And the flush installation appearance makes the most of your kitchen space.



Refrigeration

Built-In Cooking

Microwave Ovens

Dishwashers

Clothes Care

Water Systems

Air Conditioning

*Among leading manufacturers' brands, except models JTP56 and JTP18.

Not all features available on all models.

The largest* capacity wall ovens in America



Largest capacity

GE wall ovens now feature the largest* capacity wall ovens in America. Great for holiday meals and dinner parties, you have greater flexibility to cook more food at once!



Seven rack positions

Seven rack positions let you take full advantage of more oven capacity. With the ability to cook more foods at the same time, coordinating meals is even easier.

Convection capability gives you more ways to cook great food!



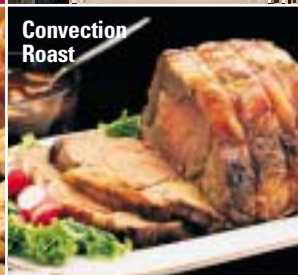
Conventional Baking



Conventional Broil (variable temp)



Convection Bake



Convection Roast

Convection capability

GE Profile wall ovens provide excellent True European convection heat capability. Roasts are beautifully browned, yet tender and juicy inside. Cookies are baked to golden perfection. And meats are broiled to your liking.



True European convection

All models deliver "True European convection" cooking by means of a third dual-loop heating element located in the back wall. A fan evenly circulates air throughout the oven cavity. This process delivers uniform, savory results. Convection cooking also saves time and allows you to cook at lower temperatures.

*Among leading manufacturers' brands, except JTP56 and JTP18.

Not all features available on all models.

The maximum in cooking performance and versatility.



Heavy-duty racks

The durable construction of the heavy-duty racks provides additional support for large cooking needs, such as that Thanksgiving turkey!



Eight-pass/Six-pass bake element

With eight or six turns of the powerful heating element, heat is distributed more evenly providing complete coverage throughout the oven cavity.



Upfront halogen lighting

No more opening the oven to check on your food. With a powerful halogen light, strategically placed in the front of the oven, viewing your cooking is clear and easy.



Proofing option

The ideal feature for proofing dough. A dedicated low-temperature setting provides the ideal environment needed when baking breads and other baked goods.

Built-In Double Ovens: 30" Electric

These models include

- The largest* capacity wall oven in America!
- Flush appearance installation
- Fits most 30" cabinets
- TrueTemp™ system
- SmartSet electronic controls
- Certified Sabbath mode
- Control lock capability
- Exclusive Big ClearView™ windows
- Variable broil

Note: bold = feature upgrade from previous model



True European convection ovens provide even cooking and superior baking results.

ONLY GE HAS IT!



Cook more at once! Take advantage of more oven capacity with the versatility of seven rack positions.



The ideal environment for proofing dough. Simply set for proof and dough will rise to perfection.

*Among leading manufacturers' brands except models JTP56 and JTP18.

Not all features available on all models. For additional features, specifications and color availability, refer to pages 184-185.

Convection Self-Clean Upper/ Self-Clean Lower



GE Profile™

30" Built-In Double Oven

- JTP56SD** Stainless steel
- CleanDesign oven interior
 - Integrated designer-style handles
 - Stainless steel oven doors
 - Upfront halogen interior oven lights

Convection Upper Oven

- Extra-large 4.1 cu. ft. self-clean oven with Delay Clean option
- Convection Bake
- Convection Roast
- Roasting Rack
- Proofing option
- Three heavy-duty oven racks
- Exclusive seven embossed rack positions
- Automatic meat thermometer
- Eight-pass bake element

Thermal Lower Oven

- Extra-large 4.4 cu. ft. self-clean oven with Delay Clean option
- Two heavy-duty oven racks
- Six embossed rack positions

Convection Self-Clean Upper/ Self-Clean Lower



GE Profile

30" Built-In Double Oven

- JTP56CD** Bisque on bisque
- Frameless glass oven doors

Convection Self-Clean Upper/ Self-Clean Lower



GE Profile

30" Built-In Double Oven

- JTP56BD** Black on black
- JTP56WD** White on white (not shown)

Self-Clean (Both Ovens)



GE®
30" Built-In Double Oven
JTP45SD Stainless steel
 • Two extra-large 4.4 cu. ft. self-clean ovens with Delay Clean option • Sure Grip designer-style handles • **Stainless steel oven doors** • Two oven racks (each oven) • Six embossed rack positions



The largest* capacity wall oven in America gives you flexibility to cook more at once.

Self-Clean (Both Ovens)



GE
30" Built-In Double Oven
JTP45WD White on white
 • Two extra-large 4.4 cu. ft. self-clean ovens with Delay Clean option • Sure Grip designer-style handles • Frameless glass oven doors • Two oven racks (each oven) • Six embossed rack positions
JTP45CD Bisque on bisque (not shown)
JTP45BD Black on black (not shown)

Self-Clean Upper/Standard Lower



GE
30" Built-In Double Oven
JTP27BD Black on black
 • Sure Grip designer-style handles • Frameless glass oven doors • Two oven racks (each oven) • Six embossed rack positions
Upper Oven
 • Extra-large 4.4 cu. ft. self-clean oven with Delay Clean option • SmartSet electronic controls
Lower Oven
 • Extra-large 4.4 cu. ft. standard-clean oven • Rotary controls
JTP27WD White on white (not shown)



Eight-pass power bake exemplifies the ultimate in heating performance with comprehensive coverage.



TrueTemp technology provides even heat distribution and maximum control.

Built-In Double Ovens: 30" and 27" Electric

These models include

- Flush appearance installation • Frameless glass oven doors • SmartSet electronic controls
- Control lock capability
- Variable broil

Note: bold = feature upgrade from previous model



True European convection ovens provide even cooking and superior baking results.



Sensor microwave cooking controls take the guesswork out of cooking your favorite foods.



SmartSet electronic controls are simple to understand and easy to use. Just read and touch.

Not all features available on all models. For additional features, specifications and color availability, refer to pages 184 and 188.

Microwave Upper/Convection Lower



GE Profile™ 30" Built-In Double Oven

JTP95WD White on white

- Fits most 30" cabinets

Microwave Upper Oven

- 1.6 cu. ft. cavity • Sensor cooking controls for Auto Cook and Reheat • Auto Defrost • Turntable • 1000 watts

Convection Lower Oven

- Extra-large 4.1 cu. ft. self-clean oven with Delay Clean option • **CleanDesign oven interior** • **Integrated designer-style handle** • Exclusive Big ClearView™ window • **Convection Bake** • **Convection Roast** • **Roasting rack** • **Three heavy-duty oven racks** • **Exclusive seven embossed rack positions** • **Automatic meat thermometer** • **Eight-pass power bake** • **Upfront halogen interior oven lights**

JTP95BD Black on black (not shown)

Microwave Upper/Self-Clean Lower



GE® 30" Built-In Double Oven

JTP85WD White on white

- Fits most 30" cabinets • Upfront interior oven lights

Microwave Upper Oven

- 1.6 cu. ft. cavity • Sensor cooking controls for Auto Cook and Reheat • Auto Defrost • Turntable • 1000 watts

Lower Oven

- Extra-large 4.4 cu. ft. self-clean oven with Delay Clean option • Sure Grip designer-style handle • Two oven racks • Six embossed rack positions • Exclusive Big ClearView window

JTP85BD Black on black (not shown)

Microwave Upper/Self-Clean Lower



GE 27" Built-In Double Oven

JKP85BD Black on black

- Fits most 27" cabinets • Upfront interior oven lights

Microwave Upper Oven

- 1.6 cu. ft. cavity • Auto Roast • Auto Cook • Auto Defrost • Double Duty™ shelf • Turntable • 1000 watts

Lower Oven

- Extra-large 3.9 cu. ft. self-clean oven with Delay Clean option • Sure Grip designer-style handle • Exclusive Big ClearView window • Two oven racks

JKP85WD White on white (not shown)

Built-In Double Ovens: 27" Electric

These models include

- The largest* capacity wall oven in America!
- Flush appearance installation • Fits most 27" cabinets • TrueTemp™ system • SmartSet electronic controls
- Certified Sabbath mode
- Control lock capability
- Exclusive Big ClearView windows • Variable broil

Note: bold = feature upgrade from previous model



True European convection ovens provide even cooking and superior baking results.



With a powerful halogen light, strategically placed in the front of the oven cavity, viewing inside the oven is clear and easy.



CleanDesign wall ovens have a smooth seamless surface, making cleanup easier than ever.

*Among leading manufacturers' brands except models JTP56 and JTP18.

Not all features available on all models. For additional features, specifications and color availability, refer to pages 188-189.

Convection Upper/Self-Clean Lower



GE Profile

27" Built-In Double Oven

JKP56SD Stainless steel

- **CleanDesign oven interior** • **Integrated designer-style handles** • **Stainless steel oven doors** • **Upfront halogen interior oven lights**

Convection Upper Oven

- Extra-large 3.9 cu. ft. self-clean oven with Delay Clean option • **Convection Bake** • **Convection Roast** • **Roasting rack** • **Proofing option** • **Three heavy-duty oven racks** • Four embossed rack positions • **Six-pass bake element** • **Automatic meat thermometer**

Thermal Lower Oven

- Extra-large 3.9 cu. ft. self-clean oven with Delay Clean option • Four embossed rack positions • **Two heavy-duty oven racks**



GE Profile

27" Built-In Double Oven

JKP56CD Bisque on bisque

- Frameless glass oven doors



GE Profile

27" Built-In Double Oven

JKP56BD Black on black

JKP56WD White on white (not shown)

Refrigeration

Built-In Cooking

Microwave Ovens

Dishwashers

Clothes Care

Water Systems

Air Conditioning

Built-In Double Ovens: 27" Electric

These models include • The largest* capacity wall oven in America! • Flush appearance installation • Fits most 27" cabinets
 • TrueTemp™ system • Certified Sabbath mode • Control lock capability • Frameless glass oven doors • Exclusive Big ClearView™ windows • Variable broil **Note: bold = feature upgrade from previous model**



The largest* capacity wall oven in America gives you flexibility to cook more at once.



A Big ClearView window provides the see-through clarity to check the progress of food.



TrueTemp technology provides even heat distribution and maximum control.



Six-pass power bake provides unparalleled baking throughout the oven interior. The results are succulent, evenly cooked food.

*Among leading manufacturers' brands except models JTP56 and JTP18.

Not all features available on all models. For additional features, specifications and color availability, refer to pages 188-189.

Self-Clean (Both Ovens)



GE®
 27" Built-In Double Oven
JKP45BD Black on black
 • Two extra-large 3.9 cu. ft. self-clean ovens with Delay Clean option • SmartSet electronic controls • Sure Grip designer-style handles
 • Two oven racks (each oven)

Self-Clean (Both Ovens)



GE
 27" Built-In Double Oven
JKP45WD White on white
JKP45CD Bisque on bisque (not shown)

Self-Clean Upper/Standard Lower



GE
 27" Built-In Double Oven
JKP27WD White on white
 • Sure Grip designer-style handles • Two oven racks (each oven)
Upper Oven
 • Extra-large 3.9 cu. ft. self-clean oven with Delay Clean option • SmartSet electronic controls
Lower Oven
 • Extra-large 3.9 cu. ft. standard-clean oven
 • Rotary control
JKP27BD Black on black (not shown)

Built-In Single Ovens: 30" Electric

These models include • The largest* capacity wall oven in America! • Flush appearance installation • Fits most 30" cabinets • TrueTemp™ system • SmartSet electronic controls • Certified Sabbath mode • Control lock capability • Exclusive Big ClearView™ window • Variable broil

Note: bold = feature upgrade from previous model



True European convection ovens provide even cooking and superior baking results.

ONLY GE HAS IT!



Cook more at once! Take advantage of more oven capacity with the versatility of seven rack positions.



The ideal environment for proofing dough. Simply set for proof and dough will rise to perfection.

Installation Flexibility

30" wall ovens can be installed in a wall or most 30" cabinets, or undercounter installation with either a gas or electric cooktop above. See page 187 for approved cooktop use.

Self-Clean Convection



GE Profile™ 30" Built-In Single Oven

- JTP18SD** Stainless steel
- CleanDesign oven interior • Integrated designer-style handle • Stainless steel oven door
 - Upfront halogen interior oven light • Extra-large 4.1 cu. ft. self-clean oven with Delay Clean option
 - Convection Bake • Convection Roast • Roasting rack • Proofing option • Eight-pass bake element
 - Three heavy-duty oven racks • Exclusive seven embossed rack positions • Automatic meat thermometer



- GE Profile**
30" Built-In Single Oven
- JTP18WD** White on white
JTP18CD Bisque on bisque (not shown)
- Frameless glass oven door



- GE Profile**
30" Built-In Single Oven
- JTP18BD** Black on black

*Among leading manufacturers' brands except models JTP56 and JTP18.

Not all features available on all models. For additional features, specifications and color availability, refer to pages 186-187.

Built-In Single Ovens: 30" Electric

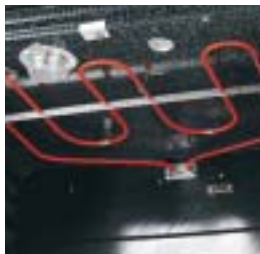
- These models include** • The largest* capacity wall oven in America! • Flush appearance installation • Fits most 30" cabinets
- TrueTemp™ system • SmartSet electronic controls • Certified Sabbath mode • Control lock capability • Exclusive Big ClearView™ window
 - Upfront interior oven light • Variable broil
- Note: bold = feature upgrade from previous model**



The largest* capacity wall oven in America gives you flexibility to cook more at once.



TrueTemp technology provides even heat distribution and maximum control.



When the recipe calls for broiling, the incomparable Six-pass broil element excels in broil performance.

Installation Flexibility

30" wall ovens can be installed in a wall or most 30" cabinets, or undercounter installation with either a gas or electric cooktop above. See page 187 for approved cooktop use.

Self-Clean



GE® 30" Built-In Single Oven

JTP15SD Stainless steel

- Sure Grip designer-style handle
- Extra-large 4.4 cu. ft. self-clean oven with Delay Clean option
- Two oven racks
- Six embossed rack positions

Self-Clean



GE
30" Built-In Single Oven
JTP15BD Black on black

Self-Clean



GE
30" Built-In Single Oven
JTP15CD Bisque on bisque
JTP15WD White on white (not shown)

*Among leading manufacturers' brands except models JTP56 and JTP18.

Not all features available on all models. For additional features, specifications and color availability, refer to pages 186-187.

Built-In Single Ovens: 27" Electric

These models include • The largest* capacity wall oven in America! • Flush appearance installation • Fits most 27" cabinets • SmartSet electronic controls • Certified Sabbath mode • Big ClearView™ window • Variable broil • Control lock capability (except model JKS05BD)

Note: bold = feature upgrade from previous model



True European convection ovens provide even cooking and superior baking results.



The durable construction of the heavy-duty racks provides additional support for large cooking needs, such as that Thanksgiving turkey.



A Big ClearView window provides the see-through clarity to check the progress of food.

Installation Flexibility

27" wall ovens can be installed in a wall or 27" cabinet, or undercounter installation with either a gas or electric cooktop above. See page 191 for approved cooktop use.

*Among leading manufacturers' brands except models JTP56 and JTP18.

Not all features available on all models. For additional features, specifications and color availability, refer to pages 190-191.

Self-Clean Convection



GE Profile™
27" Built-In Single Oven

JKP18SD Stainless steel
 • **CleanDesign oven interior** • **Integrated designer-style handle** • **Stainless steel oven door** • **Upfront halogen interior oven light** • **TrueTemp™ system**
 • Extra-large 3.9 cu. ft. self-clean oven with Delay Clean option • **Convection Bake** • **Convection Roast**
 • **Roasting rack** • **Proofing option** • **Three heavy-duty oven racks** • **Four embossed rack positions** • **Six-pass bake element** • **Automatic meat thermometer**

Self-Clean Convection



GE Profile
27" Built-In Single Oven

JKP18WD White on white
 • Frameless glass oven door
JKP18CD Bisque on bisque (not shown)
JKP18BD Black on black (not shown)

Self-Clean



GE
27" Built-In Single Oven

JKP15WD White on white
 • **TrueTemp™ system** • **Sure Grip designer-style handle** • **Extra-large 3.9 cu. ft. self-clean oven with Delay Clean option** • **Two oven racks**
 • **Six-pass bake element**

JKP15CD Bisque on bisque (not shown)
JKP15BD Black on black (not shown)

Standard Clean



GE
27" Built-In Single Oven

JKS05BD Black on black
 • **Sure Grip designer-style handle** • **Extra-large 3.9 cu. ft. standard-clean oven** • **Two oven racks**

Refrigeration

Built-In Cooking

Microwave Ovens

Dishwashers

Clothes Care

Water Systems

Air Conditioning

Built-In Double and Single Ovens: 24" Electric

These models include

- Fits most 24" cabinets
- SmartSet electronic controls
- Frameless glass oven doors
- Designer-style handles
- Two oven racks (each oven)
- Variable broil

Note: bold = feature upgrade from previous model



SmartSet electronic controls are simple to understand and easy to use. Just read and touch.



GE®
24" Built-In Double Oven

JRP24BD Black on black

Upper Oven

- Self-clean oven with Delay Clean option
- Control lock capability
- Delay Bake option with Cook & Hold

Lower Oven

- Standard-clean oven
- Rotary controls



GE
24" Built-In Single Oven

JRP15WW White on white

Self-clean oven with Delay Clean option

- Control lock capability
- Delay Bake option with Cook & Hold

JRP15BW Black on black (not shown)

JRS04BW Black on black (not shown)

- Standard-clean oven
- Delay Bake option with Cook & Hold

Built-In Single Ovens: 24" Gas

These models include

- Fits most 24" cabinets
- SmartSet electronic controls
- Electronic pilotless ignition
- Frameless glass oven door
- Designer-style handle

Note: bold = feature upgrade from previous model



Self-clean ovens provide easy clean convenience. Simply set the controls and the oven cleans itself.

Not all features available on all models. For additional features, specifications and color availability, refer to pages 188-192.



GE
24" Built-In Single Oven

JGRP17WEW White on white

- Self-clean oven with Delay Clean option
- Control lock capability
- In-oven broiling
- Storage drawer

JGRP17BEW Black on black (not shown)



GE
24" Built-In Single Oven

JGRS14BEW Black on black

- Standard-clean oven
- Separate broiler drawer

Built-In Warming Drawers: 30" and 27" Electric

These models include • Flush appearance installation • Temperature control with Proof, Low, Medium and High settings • Crisp/Moist humidity control • ON/OFF switch • "ON" indicator light • One-half rack • Frameless drawer front • Integrated designer-style handle

- Removable stainless steel drawer pan
- Five-piece commercial pan set or wood panel kit (available at additional cost)



Half rack provides even heat distribution and allows extra space to keep food warm and tasty before serving.



Warming drawer keeps plates warm, ready and waiting to serve that special meal.



Hidden temperature control has proof, low, medium and high settings for warming flexibility.



GE Profile™ Built-In Warming Drawer

- JTD910SB** Stainless steel
- 30" width
- JKD910SB** Stainless steel (not shown)
- 27" width



GE Profile Built-In Warming Drawer

- JTD910CB** Bisque on bisque
- 30" width
- JKD910CB** Bisque on bisque (not shown)
- 27" width



GE Profile Built-In Warming Drawer

- JTD910BB** Black on black
- 30" width
- JTD910WB** White on white (not shown)
- 30" width
- JKD910WB** White on white (not shown)
- 27" width
- JKD910BB** Black on black (not shown)
- 27" width

Not all features available on all models. For additional features, specifications and color availability, refer to page 193.

GE caters to today's busy cooks with a wide variety of cooktop options.

GE Profile™ and GE® cooktops make a dramatic difference in the kitchen, both in terms of appearance and performance. Distinguished by a continuous, smooth surface, these cooktops add immediate visual interest. High-tech features include an electronic sensor that automatically adjusts the size of the element to fit the pan, a sensor that indicates when an element is left on and a convenient warming option.



Now you can enjoy the superior performance of gas, along with ease of cleaning.

Thanks to GE innovation, serious cooks can make gas cooktops a prominent part of their kitchens without the usual worry about cleanability. High-output or simmer burners give you precise control over heat intensity, while the smooth, sealed surface beneath these burners lets you control spills and messes. A professional-style grid of continuous burner grates allows easy pot movement. And every model wipes clean, whether it's the deep, recessed cooktop or the gas-on-glass style.





Electric cooktops offer an array of convenient extras.

The electric cooktop line delivers an impressive lineup of design features and performance capabilities. Among these is the bridge element, which combines two elements to create an elongated cooking area. Models with electronic controls also feature a cooking timer and lockout option.



Gas cooktops provide outstanding performance.

When it comes to power, our gas cooktops go to extremes. The 15,000-BTU burner supplies intense heat needed for sautéing and stir-frying. Gas cooktops also provide precise temperature control and consistent, gentle simmering.

Built-In Cooktops: 36" Electric CleanDesign

These models include • Smooth frameless ceramic-glass CleanDesign cooktop • Flush-mount installation capability (except Stainless steel models)
 • Fingerprint- and scratch-resistant patterned glass cooktop • Five hot surface indicator lights **Note: bold = feature upgrade from previous model**



Electronic controls are simple to understand and easy to operate. Just read and touch.



Helps protect your family's safety with control lockout capability.



A convenient kitchen timer lets you set a reminder at the appropriate cooking time, making precision cooking easy.



Pan presence sensor reminds you when an element is left on and automatically shuts it off when not in use.

Not all features available on all models. For additional features, specifications and color availability, refer to page 194.



GE Profile™ 36" Electronic Touch Control Cooktop

JP968BC Black on black
 • Frameless cooktop • **Electronic touch controls**
 • **Pan presence sensor** • **Pan size sensor** • **Control lockout** • **Kitchen timer** • Five ribbon heating elements: one 6", one 7" with warmer, one dual (6"/9") and two 7" with connecting bridge element

JP968SC Stainless steel (not shown)

JP968WC White on white (not shown)

JP968CC Bisque on bisque (not shown)



GE Profile 36" Electric CleanDesign Cooktop

JP960TC True white
 • Frameless true white cooktop • Five ribbon heating elements: one 6", one 7", one dual (6"/9") and two 7" with connecting bridge element



GE Profile 36" Electric CleanDesign Cooktop

JP960KC True Bisque
 • Frameless true bisque cooktop • Five ribbon heating elements: one 6", one 7", one dual (6"/9") and two 7" with connecting bridge element



GE Profile 36" Electric CleanDesign Cooktop

JP960SC Stainless steel
 • Frameless cooktop • Five ribbon heating elements: one 6", one 7", one dual (6"/9") and two 7" with connecting bridge element
JP960BC Black on black (not shown)

Built-In Cooktops: 30" Electric CleanDesign

These models include • Smooth frameless ceramic-glass CleanDesign cooktop • Flush-mount installation capability (except stainless steel models)

• Fingerprint- and scratch-resistant patterned glass cooktop **Note: bold = feature upgrade from previous model**



Energy-efficient pan size sensor selects a 6" or 9" element to match the pan you are using.



Flush-mount installation creates a stunning visual effect. (Not available on stainless steel models)



Bridge element for total cooking flexibility.



6"/9" Dual element saves energy and provides more efficient cooking.



GE Profile

30" Electric Touch Control Cooktop

JP938BC Black on black

- Frameless cooktop • **Electronic touch controls** • **Pan presence sensor** • **Pan size sensor** • **Control lockout** • **Kitchen timer**
- Four ribbon heating elements: **one 6" with warmer**, one dual (6"/9") and two 7" with connecting bridge element • Four hot surface indicator lights

JP938SC Stainless steel (not shown)

JP938WC White on white (not shown)

JP938CC Bisque on bisque (not shown)



GE Profile

30" Electric CleanDesign Cooktop

JP930SC Stainless steel

- Frameless cooktop • Four ribbon heating elements: one 6", one dual (6"/9") and **two 7" with connecting bridge element** • Four hot surface indicator lights

JP930TC True white (not shown)

JP930KC True bisque (not shown)

JP930BC Black on black (not shown)



GE Profile

30" Electric CleanDesign Cooktop

JP350KC True bisque

- Frameless cooktop • Four ribbon heating elements: **one dual (6"/9")**, two 8" and one 6" • **Four hot surface indicator lights**

JP350SC Stainless steel (not shown)

JP350TC True white (not shown)

JP350WC White on white (not shown)

JP350BC Black on black (not shown)



GE®

30" Electric CleanDesign Cooktop

JP340WC White on white

- Frameless cooktop • Four ribbon heating elements: two 6" and two 8" • Hot surface indicator light

JP340BC Black on black (not shown)

Not all features available on all models. For additional features, specifications and color availability, refer to page 194.

Built-In Cooktops: 36" and 30" Electric Coil

These models include • Porcelain-enameled lift-up cooktop • Two 8" and two 6" plug-in Calrod® heating elements
• Infinite heat rotary controls **Note: bold = feature upgrade from previous model**



GE®
36" Electric Coil Cooktop
JP626WV White on white
• One-piece chrome drip bowls • **Upfront color-matched glass control panel**
JP626CC Bisque on bisque (not shown)



GE
30" Electric Coil Cooktop
JP326BV Black on black
• One-piece drip bowls • Color-matched glass control panel
JP326WV White on white (not shown)
JP326CC Bisque on bisque (not shown)
JP326CV Brushed-chrome (not shown)

Built-In Cooktops: 21" Compact



GE
21" Electric Coil Cooktop
JP201CB Stainless steel
• One 8" and one 6" plug-in heating element
• Infinite heat rotary controls • Removable one-piece chrome drip bowls • Heating element "ON" indicator light
JP202D White on white (not shown)

Built-In Cooktops: 30" Electric Downdraft

These models include • Smooth frameless ceramic-glass CleanDesign cooktop • Four ribbon heating elements: one 6", one dual (6"/9") and two 7" with connecting bridge element • Four hot surface indicator lights • Powerful 400-CFM downdraft venting system • Three-speed fan • Upfront controls



GE Profile™
30" Electric Downdraft Cooktop
JP989SD Stainless steel
JP989TD True white (not shown)
JP989BD Black on black (not shown)



GE Profile
30" Electric Downdraft Cooktop
JP989KD True bisque

Built-In Cooktops: 30" Gas Downdraft

These models include • Ceramic-glass cooktop • Four sealed gas burners • Continuous cast-iron grates • Electronic pilotless ignition • Powerful 400-CFM downdraft venting system • Three-speed fan • Upfront controls



GE Profile
30" Gas Downdraft Cooktop
JGP989TC True white
JGP989KC True bisque (not shown)



GE Profile
30" Gas Downdraft Cooktop
JGP989BC Black on black

Not all features available on all models.
 For additional features, specifications and color availability, refer to pages 196-197.

Built-In Cooktops: 36" Gas

These models include • Sealed burners • Electronic pilotless ignition

Note: bold = feature upgrade from previous model



Precise Simmer burner keeps delicate foods like sauces and gravies at a low setting.



Maximum Plus burner 15,000 BTU burner heats up fast with high power for skillets, woks or large pots.



GE glass cooktops are sleek and easy to clean. The flat surface and sealed burners make cleanup a snap.



GE Profile™

36" Deep Stainless Gas Cooktop

JGP963SEF Stainless steel

- **Deep stainless cooktop** • Continuous deluxe cast-iron grates • Five sealed gas burners • 15,000 BTU Maximum Plus burner • Two Precise Simmer burners • Dishwasher-safe grates

GE Profile

36" Deep Porcelain Gas Cooktop

JGP963BEC Black on black

- **Deep porcelain cooktop** • Continuous deluxe cast-iron grates • Five sealed gas burners • **15,000 BTU Maximum Plus burner** • Two Precise Simmer burners • Dishwasher-safe grates

JGP963WEC White on white (not shown)

JGP963CEC Bisque on bisque (not shown)

GE Profile

36" Gas on Glass Cooktop

JGP962SEC Stainless steel

- **Gas on glass ceramic cooktop** • Continuous deluxe cast-iron grates • Five sealed gas burners • 15,000 BTU Maximum Plus burner • Two Precise Simmer burners • Dishwasher-safe grates

JGP962TEC True white (not shown)

JGP962KED True bisque (not shown)

JGP962BEC Black on black (not shown)

GE®

36" Gas Cooktop

JGP960SED Stainless steel

- Tempered glass cooktop • Deluxe cast-iron grates • Five sealed gas burners • Two Precise Simmer burners • 12,000 BTU Maximum Output burner

Not all features available on all models. For additional features, specifications and color availability, refer to pages 198-199.



GE
36" Gas Cooktop
JGP636CED Bisque
 • Tempered glass cooktop • Deluxe cast-iron
 grates • Five sealed gas burners • Two Precise
 Simmer burners • 12,000 BTU Maximum
 Output burner
JGP636WED White on white (not shown)
JGP636BED Black on black (not shown)



GE
36" Deep Porcelain Gas Cooktop
JGP628CEC Bisque
 • Deep porcelain cooktop • Precise Simmer
 burner • Continuous grates
JGP628WEC White on white (not shown)
JGP628BEC Black on black (not shown)

Built-In Cooktop: 36" Gas Downdraft



Shown with JVB96SA Telescopic Downdraft unit.

GE Profile
36" Gas Integrated Downdraft Cooktop
JGP656WB White on white
 • Tempered glass cooktop • Four sealed gas
 burners • Cast-iron grates • Electronic pilotless
 ignition • 350-CFM retractable downdraft venting
 system • Upfront variable-speed fan control
 • JXBA56WW or JXBA56BB Downdraft Venting
 Kit required for installation (must be ordered
 separately) • Optional JXR57 kit for installation
 of blower and motor below the floor. Use optional
 GE accessory cover (JXBC57) for outdoor
 installation of blower and motor.
JGP656BB Black on black (not shown)

Built-In Cooktops: 30" Gas

These models include • Sealed burners (except JGP320EC) • Electronic pilotless ignition

Note: bold = feature upgrade from previous model



Precise Simmer burner keeps delicate foods like sauces and gravies at a low setting.



Maximum Plus burner 15,000 BTU burner heats up fast with high power for skillets, woks or large pots.



GE glass cooktops are sleek and easy to clean. The flat surface and sealed burners make cleanup a snap.



GE Profile™ 30" Deep Porcelain Gas Cooktop

- JGP933SEF** Stainless steel
- Deep stainless cooktop
 - Continuous deluxe cast-iron grates
 - Four sealed gas burners
 - 15,000 BTU Maximum Plus burner
 - Precise Simmer burner
 - Dishwasher-safe grates
- JGP933WEC** White on white (not shown)
- Deep porcelain cooktop
- JGP933CEC** Bisque on bisque (not shown)
- JGP933BEC** Black on black (not shown)

GE Profile 30" Gas on Glass Cooktop

- JGP932KED** True bisque
- Gas on glass ceramic cooktop
 - Continuous deluxe cast-iron grates
 - Four sealed gas burners
 - 15,000 BTU Maximum Plus burner
 - Precise Simmer burner
 - Dishwasher-safe grates
- JGP932TEC** True white (not shown)

GE Profile 30" Gas on Glass Cooktop

- JGP932BEC** Black on black
- Gas on glass ceramic cooktop
 - Continuous deluxe cast-iron grates
 - Four sealed gas burners
 - 15,000 BTU Maximum Plus burner
 - Precise Simmer burner
 - Dishwasher-safe grates
- JGP932SEC** Stainless steel (not shown)

GE® 30" Gas Cooktop

- JGP930SED** Stainless steel
- Tempered glass cooktop
 - Deluxe cast-iron grates
 - Four sealed gas burners
 - Precise Simmer burner
 - 12,000 BTU Maximum Output burner

Not all features available on all models. For additional features, specifications and color availability, refer to page 198.



**GE
30" Gas Cooktop**

JGP336WED White on white
 • Tempered glass cooktop • Deluxe cast-iron grates • Four sealed gas burners • Precise Simmer burner • **12,000 BTU Maximum Output burner**

JGP336CED Bisque on bisque (not shown)

JGP336BED Black on black (not shown)



**GE
30" Deep Porcelain Gas Cooktop**

JGP328BEC Black on black
 • Deep porcelain cooktop • Four sealed gas burners • Precise Simmer burner • Continuous grates

JGP328WEC White on white (not shown)

JGP328CEC Bisque on bisque (not shown)



**GE
30" Gas Cooktop**

JGP326WEF White on white
 • Tempered glass cooktop • Deluxe cast-iron grates • Four sealed gas burners

JGP326CEF Bisque on bisque (not shown)

JGP326BEF Black on black (not shown)



**GE
30" Gas Cooktop**

JGP320EV White or black
 • Lift-up cooktop • Glass control panel • Standard porcelain-steel grates • Four standard gas burners

Built-In Cooktops: Downdraft Electric Select-Top™ Modular

These models include • Infinite heat rotary controls • Powerful 400-CFM downdraft venting system

• Heating element "ON" indicator light **Note: bold = feature upgrade from previous model**

Optional Select-Top™ Modules (available at additional cost)



Grill Module

Front and rear controlled heating element for more cooking flexibility and energy savings. One-piece grill grate and porcelain-enameled reflector pan can be removed for cleaning in sink or dishwasher.



Griddle Accessory

(For use with optional grill module) Place over heating element and reflector pan from optional grill module. Griddle accessory has a non-stick coating and is self-draining.



Ribbon Module

Patterned glass top with one 8" and one 6" ribbon heating element.



Coil Module

One 8" and one 6" plug-in coil heating element with removable one-piece drip bowls.

Grill Cover (not shown)

Covers grill area when not in use. Available in Black on black and White on white.



GE Profile™ 30" Dual Modular Cooktop

JP389WV White on white
• Three-speed fan
• Porcelain-enameled cooktop • Both sides accept optional cooking modules

Shown with optional Ribbon module JXDR50VW and Grill module JXDL44N.



GE Profile™ 30" Dual Modular Cooktop

JP389BV Black on black
• Three-speed fan
• Porcelain-enameled cooktop
• **Both sides accept optional cooking modules**

Shown with optional Ribbon modules JXDR50VB.



GE® 30" Single Modular Cooktop

JP385WV White
• Porcelain-enameled cooktop • Fixed 6" and 8" plug-in coil heating elements • Left side accepts optional cooking modules

Shown with optional Grill module JXDL44N.



GE 30" Single Modular Cooktop

JP385BV Black
• Porcelain-enameled cooktop • Fixed 6" and 8" plug-in coil heating elements • **Left side accepts optional cooking modules**

Shown with optional Grill module JXDL44N.

Optional Modules (available at additional cost)	Models			
	JP389WV	JP389BV	JP385WV	JP385BV
Coil Module	JXDC44RWH	JXDC43RBL	JXDC44RWH	JXDC43RBL
Ribbon Module	JXDR50VW	JXDR50VB	JXDR50VW	JXDR50VB
Grill Module	JXDL44N	JXDL44N	JXDL44N	JXDL44N
Griddle Accessory	JXDD44R	JXDD44R	JXDD44R	JXDD44R
Grill Cover	JXDM3	JXDM2	JXDM3	JXDM2

Not all features available on all models. For additional features, specifications and color availability, refer to pages 200-201.

Built-In Cooktops: 30" Patio Grill



GE
30" Patio Grill
JP380BV Black

- Porcelain-enameled cooktop
- Fixed grill elements each side
- Infinite heat rotary controls
- Powerful downdraft venting system
- Heating element "ON" indicator light
- Optional grill covers (JXDM4) available at additional cost

U.L. approved for outdoor use only.

Refrigeration

Built-In Cooking

Built-In Cooktops: 30" Downdraft Gas Modular



GE Profile
30" Single Modular Gas Cooktop

- JGP389WEV** White on white
- Fixed standard gas burners (right side)
 - Left side accepts optional cooking modules
 - Powerful downdraft venting
 - Electronic pilotless ignition
 - Upfront controls

Shown with optional Grill module JXGG89.

JGP389BEV Black on black (not shown)

Optional Modules
(available at additional cost)

Two-burner gas module for standard burners

JXGB89W—White on white

JXGB89B—Black on black

Gas grill module

JXGG89

Griddle for use with optional Grill module

JXGL89

Grill Cover

JXGC89W—White on white

JXGC89B—Black on black

Microwave Ovens

Dishwashers

Common Cooktop Cutouts

Common Cutouts—30" Cooktops

Dimensions (W x D)	Model #	Description	
28-1/2" x 19-5/8"	JP938	CleanDesign	
	JP930	CleanDesign	
	JP350	CleanDesign	
	JP340	CleanDesign	
	JP326	Calrod®	
	JGP933—Gas	Sealed Burner	
	JGP932—Gas	Sealed Burner	
	JGP930—Gas	Sealed Burner	
	JGP336—Gas	Sealed Burner	
	JGP328—Gas	Sealed Burner	
	JGP326—Gas	Sealed Burner	
	JGP320—Gas	Standard Burner	
	28-7/8" x 20-5/8"	JP989	Electric Downdraft
		JP389	Modular Downdraft
JP385		Modular Downdraft	
JP380		Patio Grill	
JGP989—Gas		Gas Downdraft	
JGP389—Gas		Modular Downdraft	

Common Cutouts—36" Cooktops

Dimensions (W x D)	Model #	Description
33-7/8" x 19-1/8"	JP968	CleanDesign
	JP960	CleanDesign
	JP626	Calrod®
	JGP963—Gas	Sealed Burner
	JGP962—Gas	Sealed Burner
	JGP960—Gas	Sealed Burner
	JGP636—Gas	Sealed Burner
	JGP628—Gas	Sealed Burner
34-9/16" x 21"	JGP656—Gas	Sealed Burner Downdraft

Clothes Care

Water Systems

Air Conditioning

Not all features available on all models. For additional features, specifications and color availability, refer to page 201.

GE Slide-In and Drop-In Ranges

The perfect fit.

GE slide-in and drop-in ranges fit every kitchen decor and cooking style. They install almost flush with surrounding cabinetry and counters, creating a dramatic effect. Accenting the contemporary design is the sleek stainless exterior, which complements just about any color or wood finish. The performance features are equally versatile.



GE slide-in and drop-in ranges give the effect of added space, opening up kitchens and making them more inviting.

Versatile features are the key ingredients to our slide-in and drop-in ranges.



Bridge element

For total cooking flexibility, the bridge element gives you the freedom to match longer gourmet pans or skillets to the heating elements. A simple switch lets you combine two burners into one large cooking area.



Warming zone

The warming zone is specifically designed to keep foods warm and ready to enjoy. This is a perfect option to help you coordinate numerous dishes and serve one fantastic meal.



Electronic control panel

The electronic control panel is innovatively styled with soft touch pads, a digital display and sleek, easy-turn dials. Plus, it's ergonomically angled for optimal, user-friendly operation.



Sealed burners

The gas burners are sealed to the cooktop to help contain spills, making cleanup quick and easy. These burners ignite electronically, so you don't have to deal with troublesome pilot lights. Power capacities range from low simmer to high output.

Slide-In Ranges: 30" Electric

These models include • SmartSet electronic controls • **Big ClearView™ window** • Four hot surface indicator lights • Fingerprint- and scratch-resistant patterned ceramic-glass CleanDesign cooktop • Integrated designer-style handle • Extra-large self-clean oven with Delay Clean option • Control lock capability • Custom built-in look with simple slide-in installation **Note: bold = feature upgrade from previous model**



SmartSet electronic controls are simple to understand and easy to operate. Just read and touch.



The warming zone is a great way to keep food warm and ready to enjoy.



Bridge element for total cooking flexibility.



Fast and easy cleanup is made possible through our CleanDesign oven interior.

Not all features available on all models. For additional features, specifications and color availability, refer to pages 202-203.



GE Profile™ 30" Slide-In CleanDesign Convection Range

JS966SD Stainless steel
• Two 7" ribbon heating elements with connecting bridge element • One dual (6"/9") and one 6" ribbon heating element
• **Fifth element warming zone** • **CleanDesign oven interior** • Convection Bake • Convection Roast • **Stainless steel oven door with window**
• **Three heavy-duty racks** • **Halogen interior oven light** • Certified Sabbath mode

JS966TD True white (not shown)

JS966KD True bisque (not shown)

JS966BD Black on black (not shown)



GE Profile 30" Slide-In CleanDesign Convection Range

JSP56WD White on white
• **Two 7" ribbon heating elements with connecting bridge element** • One 6" and one dual (6"/9") ribbon heating element • **Convection Bake** • **Convection Roast** • **Certified Sabbath mode** • **Frameless glass oven door**

JSP56CD Bisque on bisque (not shown)

JSP56BD Black on black (not shown)



GE Profile 30" Slide-In CleanDesign Electric Range

JSP46CD Bisque on bisque
• Two 8", one 6" and one dual (6"/9") ribbon heating element • **Frameless glass oven door**

JSP46WD White on white (not shown)

JSP46BD Black on black (not shown)

These models include • Lift-up overhanging porcelain-enameled cooktop • Two 8" and two 6" plug-in Calrod® heating elements • Electronic clock and kitchen timer • Custom built-in look with simple slide-in installation **Note: bold = feature upgrade from previous model**



GE®
30" Slide-In Electric Coil Range
JSP34WD White on white
 • SmartSet electronic controls • Self-clean oven with Delay Clean option • Frameless glass oven door with designer-style handle
 • Control lock capability
JSP34CD Bisque on bisque (not shown)
JSP34BD Black on black (not shown)



GE
30" Slide-In Electric Coil Range
JSP26BD White or Bisque
 • SmartSet electronic controls • Self-clean oven with Delay Clean option • Frameless glass oven door with designer-style handle • Control lock capability



GE
30" Slide-In Electric Coil Range
JSS26BD Black on black
 • Standard-clean oven • Frameless glass oven door with designer-style handle
JSS16PD White or Bisque (not shown)
 • Standard-clean oven • Color-matched oven door
 • Visor handle

Slide-In Ranges: 30" Gas

These models include • Electronic pilotless ignition • Frameless glass oven door • Interior oven light • Broiler pan with grid

Note: bold = feature upgrade from previous model



Sealed burner design helps contain spills from dripping beneath cooktop for easy cleaning.



Maximum Output burners have high-power performance, making cooking convenient.



Precise Simmer burner provides more temperature control with a low 700-BTU setting.

Optional Accessory Trim Kits

Enhance the built-in look of these Slide-In Gas ranges with optional accessory trim kits (all models except JGSS05BEA), see page 204.

Models shown with required filler strip provided.

Not all features available on all models. For additional features, specifications and color availability, refer to pages 204-205.



GE Profile™ 30" Slide-In Gas Range

JGSP44WEY White on white
 • SmartSet electronic controls • Self-clean oven with Delay Clean option • Sealed burners
 • Standard simmer burner • **Maximum output burner** • **Deluxe cast grates** • **Sure Grip designer-style handle** • **Glass cooktop**
 • Storage drawer
JGSP44CEY Bisque on bisque (not shown)
JGSP44BEY Black on black (not shown)



GE®
 30" Slide-In Gas Range
JGSP23WEY White on white
 • **SmartSet electronic controls** • **Sealed burners**
 • **Standard Simmer burner** • **Self-clean oven with Delay Clean option** • **Control lock capability** • **White porcelain-enameled cooktop** • **Standard-cast grates**
 • **Storage drawer**
JGSP23BEY Black on black (not shown)



GE
 30" Slide-In Gas Range
JGSS05BEA Black on black
 • **Extra-large standard-clean oven** • **Black porcelain-enameled lift-up cooktop** • **Twin rod supports**
 • **Separate broiler drawer with extra-large broiler pan and grid** • **Standard porcelain-steel grates**

Slide-In Ranges: 30" Downdraft Electric

- These models include** • Powerful downdraft venting system • Two-speed fan • Self-clean oven • Glass oven door with window • Designer-style handle • Electronic clock and minute timer • Delay Bake option • Dual modular porcelain-enameled cooktop • Storage drawer (half depth)



GE
30" Downdraft Electric Slide-In Range
JSP69WV White on white
JSP69BV Black on black (not shown)

Modular cooktops allow you to customize the range to suit your convenience and food preparation needs. Downdraft venting allows you to fry, griddle or grill without a vent hood. These ranges are equipped with a grill module, other modules shown are available at additional cost.



Coil Modules
JXGC53W—
White on white,
JXGC53B—
Black on black.
One 8" and one 6"
plug-in heating element
with removable
one-piece drip bowls.



**Griddle
Accessory**
JXGL90—(For use
with grill module) Place
over heating element
from grill module.
Griddle accessory has
a non-stick coating.



Grill Module
JXGG50—Has
two-piece, non-stick
coated grates for
cooking and cleaning
convenience. (One
included with each
range.)



**Radiant
Module**
JXGR63B—
Frameless module
has patterned glass
top with two 7" radiant
heating elements.

Not all features available on all models.
For additional features, specifications and
color availability, refer to page 205.

Drop-In Ranges: 30" Electric

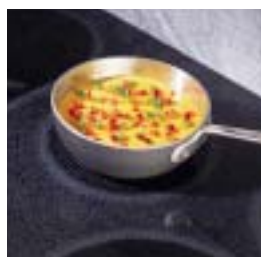
These models include • SmartSet electronic controls • Lift-off oven door • Self-clean oven with delay option

• Control lock capability

Note: bold = feature upgrade from previous model



SmartSet electronic controls are simple to understand and easy to operate. Just read and touch.



The warming zone is a great way to keep food warm and ready to enjoy.



Bridge element for total cooking flexibility.



Fast and easy cleanup is made possible through our CleanDesign oven interior.



GE Profile™ 30" Drop-In Convection Range

JD966SD Stainless steel

- **Extra-large self-clean oven with Delay Clean option**
- **Two 7" ribbon heating elements with connecting bridge element** • One dual (6"/9") and one 6" ribbon heating element • **Fifth element warming zone** • Four hot surface indicator lights
- Fingerprint- and scratch-resistant ceramic-glass CleanDesign cooktop • **CleanDesign oven interior**
- **Convection Bake** • **Convection Roast** • **Stainless steel oven door with Big ClearView™ window** • Integrated designer-style handle • **Three heavy-duty racks**
- **Halogen interior oven light** • **Certified Sabbath mode**

JD966TD True white (not shown)

JD966KD True bisque (not shown)

JD966BD Black on black (not shown)



GE Profile 30" Drop-In Electric Range

JDP46CD Bisque on bisque

- **Extra-large self-clean oven with Delay Clean option** • **Two 8", one 6" and one dual (6"/9") ribbon heating element** • **Four hot surface indicator lights** • Fingerprint- and scratch-resistant ceramic-glass CleanDesign cooktop • **Frameless glass oven door with Big ClearView window**
- **Integrated designer-style handle**

JDP46WD White on white (not shown)

JDP46BD Black on black (not shown)



GE® 30" Drop-In Electric Range

JDP39BW Black on black

- **Lift-up overhanging cooktop** • **Two 8" and two 6" plug-in heating elements** • **Removable one-piece drip bowls** • **Frameless glass oven door with window** • **Designer-style handle**

JDP39WW White on white (not shown)



- GE**
30" Drop-In Electric Range
JDP36BW White
 • Lift-up overhanging cooktop • Two 8" and two 6" plug-in heating elements
 • Removable one-piece drip bowls
 • Frameless glass oven door with window
 • Designer-style handle
JDP36BD Bisque (not shown)
JDS26BW White (not shown)
 • Standard-clean oven
JDS26BD Bisque (not shown)
 • Standard-clean oven

Drop-In Spacemaker™ Ranges: 27" Electric

These models include • Lift-up overhanging porcelain-enameled cooktop • One 8" and three 6" plug-in Calrod® heating elements
 • Frameless glass oven door • Big View window • Chrome drip bowls **Note: bold = feature upgrade from previous model**



Electronic oven control provides convenient cooking functions.



Calrod® heating elements unplug for easy removal of one-piece drip bowls for cleaning and access to the subtop.



- GE Profile**
27" Drop-In Electric Range
JMP31WC White on white
 • Self-clean oven with automatic oven door lock
 • Electronic clock and kitchen timer • Auto oven shut-off • **Sure Grip designer-style handle**



- GE**
27" Drop-In Electric Range
JMP28BC White
 • **Self-clean oven with automatic oven door lock**
 • **Electronic clock and minute timer** • **Auto oven shut-off**
JMP28BD Bisque (not shown)
JMS08BD White or Bisque (not shown)
 • Standard-clean oven

Optional Backguards

White, black or almond painted finish is available at additional cost for all models. JX27RWH – White, JX27RBK – Black, JX27RAD – Almond

GE ranges are constantly improved to help make your experience in the kitchen a delightful one.

From innovative engineering to distinctive

styling, GE Profile™ and GE® free-standing

electric ranges are the most dependable

ranges you can buy. The smooth cooktop puts

advanced technology at your fingertips

with new features like an additional fifth

element **warming zone**. Plus, the

improved cooktop design features one

consistent “true” color on select models. The

super-large capacity and the six positions

for the new self-clean heavy-duty oven racks

make it easy to cook more food. Plus, true

European convection circulates heat throughout

the oven and the **TrueTemp™** system

ensures the temperature is always accurate.

Warming zone

Keep food warm and ready to enjoy with this new fifth element, conveniently placed in the rear center of the cooktop.



Self-clean heavy-duty oven racks

Clean your oven and the racks! Made from the same material as the oven interior, these new racks can remain in the oven during the self-clean mode.



Big ClearView™ window

Now you don't have to open the oven door to check the progress of your food. The new window is extra-large and see-through.



Capacity

The extra-large capacity oven, featuring six adjustable rack positions, gives you the flexibility to cook more at once.





Refrigeration

Free-Standing Electric Ranges

Microwave Ovens

Dishwashers

Clothes Care

Water Systems

Air Conditioning

Ceramic-glass cooktop.

Responsive.

GE electric ranges have convenient features to help you cook quickly and coordinate with ease. The new warming zone adds a fifth element to the center of the cooktop, so you can keep foods warm and ready to serve. Add the bridge element, the dual 6"/9" element and you have a cooktop rich in features made to fit your lifestyle.

Attractive and practical.

When it comes to impressive style and the ability to clean with ease, GE has it all.

The new control panel has a redesigned appearance that is elegant and attractive. It features smooth, glass-touch controls that are easier to wipe clean. You also have expanded "true" color choices for the cooktop—a graceful touch to any kitchen.



The oven is self-cleaning, of course. But for most families, 80% of the cooking is done on the cooktop. You can see in a glance just how easy it is to wipe the smooth ceramic-glass cooktop clean.

Clean-Well™ cooktop

Exclusive design.

The Clean-Well cooktop is yet another GE innovation. It consists of two layers, including the cooking surface and a subtop. The surface is designed to contain most spills before they reach the subtop. High rims around the Calrod® elements catch spills, and the one-piece drip bowls are easily removed.

Sturdy and convenient.

The exterior cooktop is supported by a torsion bar and dual-support rods. To access the recessed subtop, all you have to do is lift and lock the cooktop into place.

It's that simple.



The porcelain-enameled subtop is designed with special containment wells for easy cleanup. Wires have been thoughtfully positioned under the edge of the cooktop so they never interfere with cleaning.

True European convection capability lets you cook bigger and better.



Our convection ranges deliver “true European convection” cooking by means of a third dual-loop heating element located in the back wall. A fan evenly circulates air throughout the oven cavity. This process delivers uniform, savory results.



Superior roasting. Convection cooking has long been praised by professional chefs and bakers. And it’s no wonder. Roasting time is reduced, with more consistent results.



Perfect baking. GE convection ovens also deliver exceptional baking results. They bake desserts and breads at an ideal temperature (approximately 25° lower than a conventional oven).

A simple guide to GE’s QuickSet oven controls



QuickSet II

- Dual element bake • Digital temperature display with recall • Oven preheat light
- Electronic digital clock • Electronic reminder timer, up to 12 hours • Audible preheat signal • 12-Hour automatic oven shut-off • Self-clean countdown digital display, including cool down • Auto self-clean



QuickSet III

Same as QuickSet II, plus:

- Automatic oven control • Delay bake • Delay self-clean
- Adjustable self-clean cycle time



QuickSet IV

Same as QuickSet III, plus:

- Auto self-clean • All touch pad control • Large digital temperature display • Variable broil



QuickSet V

Same as QuickSet IV, plus:

- Convection bake/roast • Temperature probe • Extra-large graphics and touch pads • Digital glass touch pad control (0-9) entry • Oven function icons

CleanDesign: Convection

These models include • The most dependable ranges you can buy! • Super-large 4.5 cu. ft. capacity oven • TrueTemp™ system • **True European convection oven with dedicated third, dual-loop heating element** • **Convection Bake** • **Convection Roast** • Warming zone • Dual element bake • Six-pass power bake element • SmartLogic™ electronic control • Certified Sabbath mode • Electronic digital clock and oven controls • Easy-view hot lights • One-piece upswept cooktop • New ceramic-glass cooktop • Automatic self-clean oven latch • **Three oven racks, one off-set** • Automatic oven light/pad • Big ClearView™ window • Storage drawer • Four leveling legs

Note: bold = feature upgrade from previous model



True European convection delivers consistent heat, cooking foods to absolute perfection.



A simple switch bridges two elements into one large cooking surface.



Self-clean heavy-duty oven racks are designed for hands free cleaning.



CleanDesign oven interior has a smooth seamless surface, making cleanup easier than ever.



GE Profile™

30" Free-Standing Spectra™ Convection Range

JBP95SF Stainless steel

• **CleanDesign oven interior** • **QuickSet V with glass touch controls** (see page 87) • **Self-clean heavy-duty oven racks** • Middle rear 6" warming zone • **Automatic meat thermometer** • **Two 7" ribbon heating elements with connecting bridge element** • One dual 6"/9" and one 6" ribbon heating element • Stainless steel oven door with Sure Grip handle



GE Profile

30" Free-Standing Spectra Convection Range

JBP95TF True white

• Frameless glass oven door with Sure Grip handle

JBP95KF True bisque (not shown)

JBP95BF Black on black (not shown)

Not all features available on all models. For additional features, specifications and color availability, refer to pages 208-209.



GE Profile

30" Free-Standing Spectra Convection Range

JBP90SF Stainless steel

- **QuickSet V oven controls** (see page 87)
- Middle rear 6" warming zone • One dual 6"/9", one 8", and two 6" ribbon heating elements
- Stainless steel oven door with Sure Grip handle



The smooth, redesigned panel features easy-to-clean glass touch controls.



The most accurate oven in America! The TrueTemp system delivers better oven accuracy.



GE Profile

30" Free-Standing Spectra Convection Range

JBP90KF True bisque

- Frameless glass oven door with Sure Grip handle

JBP90TF True white (not shown)

JBP90BF Black on black (not shown)



Sabbath mode allows cooked foods to be kept warm on the Jewish Sabbath, in accordance with Kosher law.

CleanDesign

These models include • The most dependable ranges you can buy! • Super-large 5.0 cu. ft. capacity oven • TrueTemp™ system • Self-clean oven • **Warming zone** • Dual element bake • Six-pass power bake element • SmartLogic™ electronic control • **QuickSet IV oven controls** (see page 87) • **Certified Sabbath mode** • **Electronic digital clock and oven controls** • Easy-view hot lights • One-piece upswept cooktop • New ceramic-glass cooktop • Automatic oven light • **Big ClearView™ window** • Storage drawer • Leveling legs

Note: bold = feature upgrade from previous model



A simple switch bridges two elements into one large cooking surface.



This warming zone has three levels to help keep foods warm and ready to serve.



The Big ClearView window helps you see cooking food clearly and easily.



More cooking capacity gives you the ability to cook more at once.



GE® 30" Free-Standing Spectra™ Electric Range

JBP82SF Stainless steel
• **Two 7" ribbon heating elements with connecting bridge element** • One dual 6"/9" and one 6" ribbon heating element • Middle rear 6" warming zone • **Stainless steel oven door with designer-style handle** • **Automatic self-clean oven latch**



GE 30" Free-Standing Spectra Electric Range

JBP82BF Black on black
• Frameless glass oven door with designer-style handle
JBP82TF True white (not shown)
JBP82WF White on white (not shown)
JBP82KF True bisque (not shown)
JBP82CF Bisque on bisque (not shown)

Not all features available on all models.
For additional features, specifications and color availability, refer to pages 208-209.



GE
 30" Free-Standing Spectra Electric Range
JBP80SF Stainless color
 • One 8" and two 6", and one dual 6"/9" ribbon heating element • Middle rear 6" warming zone • Stainless color oven door with designer-style handle



The most accurate oven in America. The TrueTemp system delivers better oven accuracy.



Sabbath mode allows cooked foods to be kept warm on the Jewish Sabbath, in accordance with Kosher law.



GE
 30" Free-Standing Spectra Electric Range
JBP80TF True white
 • Frameless glass oven door with designer-style handle
JBP80WF White on white (not shown)
JBP80KF True bisque (not shown)
JBP80CF Bisque on bisque (not shown)
JBP80BF Black on black (not shown)

CleanDesign

These models include • The most dependable ranges you can buy! • Super-large 5.0 cu. ft. capacity oven • Self-clean oven • Dual element bake • **Two 8" and two 6" ribbon heating elements** • One-piece upswept cooktop • **Patterned ceramic-glass cooktop** • **Easy-view hot lights** • **Frameless glass oven door with designer-style handle** • Storage drawer • Four leveling legs

Note: bold = feature upgrade from previous model



More cooking capacity gives you the ability to cook more at once.



The most accurate oven in America. The TrueTemp system delivers better oven accuracy.



Six-pass power bake provides more power, total coverage and even cooking.



GE® 30" Free-Standing Spectra Electric Range

JBP69WD White on white
• TrueTemp™ system • QuickSet III oven controls (see page 87) • Six-pass power bake element • **Big View window**

JBP69CD Bisque on bisque (not shown)

JBP69BD Black on black (not shown)



GE 30" Free-Standing Spectra Electric Range

JBP66WB White on white
• TrueTemp system • QuickSet III oven controls (see page 87) • Six-pass power bake element • Standard window

JBP66CB Bisque on bisque (not shown)

JBP66BB White or Bisque (not shown)



GE 30" Free-Standing Electric Range

JBP68WD White on white
• QuickSet II oven controls (see page 87)

• **Big View window**

JBP68CD Bisque on bisque (not shown)



GE
30" Free-Standing Electric Range
JBP64WB White on white
• QuickSet II oven controls (see page 87)
JBP64BB White or Bisque (not shown)



Dual element bake for even baking and roasting.



Ribbon elements respond promptly and direct heat straight up, so cooking utensils are heated quickly and evenly.



GE
30" Free-Standing Electric Range
JBP61BD White
• QuickSet II oven controls (see page 87)
• Standard window • Interior oven light switch



GE
30" Free-Standing Electric Range
JBP60BC White
• QuickSet I oven controls

Accessory Information

For easy cleaning of the cooktop, GE provides one cleaning pad and one 2.5-oz. bottle of cleaning creme with each range. For additional supply, call toll-free 1-800-626-2002.

QuickClean™ Self-Clean

These models include • The most dependable ranges you can buy! • Super-large 5.0 cu. ft. capacity oven • **Self-clean oven** • Dual element bake • Frameless glass oven door • Designer-style handle • CleanWell™ cooktop system • Lift-up cooktop • Plug-in Calrod® heating elements, two 8" and two 6" • Heating element "ON" indicator lights • **Auto oven shut-off with override** • Removable full-width storage drawer • Four leveling legs • Removable one-piece drip bowls

Note: bold = feature upgrade from previous model



More cooking capacity gives you the ability to cook more at once.



The most accurate oven in America. The TrueTemp system delivers better oven accuracy.



Six-pass power bake provides more power, total coverage and even cooking.



Clean-Well cooktop system contains spills so clean-up is simple.

Not all features available on all models. For additional features, specifications and color availability, refer to pages 210-211.



GE Profile™

30" Free-Standing Spectra™ Electric Range

JBP48BB Black on black

• TrueTemp™ system • SmartLogic™ electronic controls • Six-pass power bake element • **Right rear 6" element with warming zone** • Big View window • **QuickSet IV oven controls (see page 87)** • **Sure Grip handle** • **Automatic interior oven light**

JBP48WB White on white (not shown)

JBP48CB Bisque on bisque (not shown)



GE® 30" Free-Standing Spectra Electric Range

JBP35WB White on white

• TrueTemp system • SmartLogic electronic controls • Six-pass power bake element • **Big View window** • QuickSet III oven controls (see page 87) • Interior oven light switch • **Certified Sabbath mode**

JBP35CD Bisque on bisque (not shown)

JBP35ED Black on black (not shown)

JBP35BB White or Bisque (not shown)



GE 30" Free-Standing Spectra Electric Range

JBP30WB White on white

• TrueTemp system • SmartLogic electronic controls • Six-pass power bake element • QuickSet III oven controls (see page 87) • **Deluxe Calrod heating elements** • **Porcelain drip bowls** • Interior oven light switch

JBP30CB Bisque on bisque (not shown)

JBP30BB White or Bisque (not shown)



GE
30" Free-Standing Spectra
Electric Range

JBP26WB White on white
 • **TrueTemp system** • SmartLogic electronic controls • **Six-pass power bake element**
 • Standard window • **QuickSet III oven controls** (see page 87) • Interior oven light switch

JBP26CB Bisque on bisque (not shown)

JBP26ED Black on black (not shown)

JBP26BB White or Bisque (not shown)



Calrod heating elements provide even heat distribution for better cooking performance.



Lift-up cooktop locks into place for easy cleaning.



GE
30" Free-Standing Electric Range

JBP24BB White or Bisque
 • **Standard window** • **QuickSet II oven controls** (see page 87) • Interior oven light switch

JBP24WB White on white (not shown)



GE
30" Free-Standing Electric Range

JBP21WC White on white
 • **QuickSet II oven controls** (see page 87)
 • Interior oven light switch

JBP21BC White, Bisque or Almond (not shown)

QuickClean™ Standard-Clean

These models include • The most dependable ranges you can buy! • Clean-Well™ cooktop system • Heating element “ON” indicator light • Removable full-width storage drawer • Four leveling legs • Removable one-piece chrome drip bowls • Standard-clean oven

Note: bold = feature upgrade from previous model



Lift-up cooktop locks into place for easy cleaning.



Clean-Well cooktop system contains spills so clean-up is simple.



Calrod heating elements provide even heat distribution for better cooking performance.



GE®
30" Free-Standing Electric Range
JBS27BC White or Bisque
 • Super-large 5.0 cu. ft. capacity oven • **Lift-up cooktop** • **Plug-in Calrod® heating elements, two 8" and two 6"** • Electronic digital clock and minute timer • Designer-style handle
 • Interior oven light switch
JBS27WC White on white (not shown)
JBS27CC Bisque on bisque (not shown)



GE
30" Free-Standing Electric Range
JBS26C White or Bisque
 • Super-large 5.0 cu. ft. capacity oven
 • Plug-in Calrod heating elements, two 8" and two 6" • **Electronic digital clock and minute timer** • Color-matched oven door with window • Designer-style handle
 • Interior oven light switch



GE
30" Free-Standing Electric Range
JBS07C White on white
 • **Super-large 5.0 cu. ft. capacity oven**
 • Plug-in Calrod heating elements, one 8" and three 6" • Oven door with window
 • **Designer-style handle** • Interior oven light switch



GE
30" Free-Standing Electric Range
JBS05Y White or Almond
• 3.5 cu. ft. capacity oven • Upfront controls
• Plug-in heating elements, one 8" and three 6"
• **Color-matched oven door with window**
• Chrome visor handle • **Interior oven light switch**
(Does not have Clean-Well cooktop system)

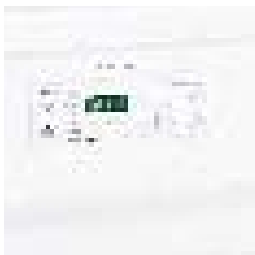


GE
30" Free-Standing Electric Range
JBS03BC White or Bisque
• Super-large 5.0 cu. ft. capacity oven • Plug-in Calrod heating elements, one 8" and three 6"
• **Frameless solid black glass oven door** • **Designer-style handle**
JBS03C White, Bisque or Almond (not shown)
• Solid color-matched oven door • Chrome visor handle

40" Self-Clean & Standard-Clean

These models include • Storage drawer • Lift-off oven door with window • Interior oven light • Two 6" and two 8" heating elements

Note: bold = feature upgrade from previous model



Easy-to-use electronic controls provide cooking convenience.



GE
40" Free-Standing Electric Range
JCP67Y White on white
• **Self-clean master oven** • **Standard-clean companion oven** • Electronic clock and automatic master oven timer
JCS57Y White on white (not shown)
• Standard-clean oven • Companion storage compartment with shelf
• Electronic clock and timer

GE gas ranges rise to the occasion, no matter what's on the menu.



GE Profile Spectra™ gas ranges give you the room and power you need to

create inspired meals. These ranges feature a large-capacity oven, so

you no longer have to take an a la carte approach to cooking. They also include

a couple of convenient warming options and convection capability.

And you'll be pleased to know that you can enjoy the superior performance of gas, as well as easy cleanup.

Designed with a smooth surface and continuous cast-iron grates,

Spectra gas ranges offer the best of both worlds.

Warming drawer

The warming drawer lets you prepare side dishes at your own pace. Conveniently located under the oven, this drawer keeps food warm until serving.



Smooth cooktop

This revolutionary cooktop eliminates the burner bowls and drip pans typically found on conventional gas ranges. Instead, the burners are sealed onto the cooktop, making cleanup a breeze.



Warming options

A warming zone and warming drawer save you the trouble of carefully orchestrating meals. These convenient options let you keep just about any dish warm and ready to enjoy.



Convection/gas ranges—GE's first!

These ranges utilize an innovative, two-speed convection system that works in conjunction with our TrueTemp™ system to deliver sumptuous baking and roasting results.





Refrigeration

Free-Standing Gas Ranges

Microwave Ovens

Dishwashers

Clothes Care

Water Systems

Air Conditioning

Self-Clean: Sealed Burners

These models include • The most dependable ranges you can buy! • TrueTemp™ system • **Warming drawer** • SmartLogic™ electronic control • Extra-large self-clean oven • Electronic clock and automatic oven timer • Sealed burners • **Precise Simmer burner** • **Two Maximum Output burners** • **Three oven racks** • Six embossed rack positions • In-oven broiling • Extra-large broiler pan with grid • Interior oven light • Electronic pilotless ignition

Note: bold = feature upgrade from previous model



The revolutionary smooth cooktop—changing the way you cook with gas.



The warming zone is a great way to keep food warm and ready to enjoy.



Convection gas ovens—GE's first.



TrueTemp system. "The Most Accurate Oven in America."**

**Among leading manufacturers' brands. Not all features available on all models. For additional features, specifications and color availability, refer to page 212.



GE Profile Performance™ 30" Free-Standing Spectra Convection Gas Range with Warming Drawer

JGB920KEC True bisque
 • Smooth ceramic-glass cooktop with warming zone
 • Warming zone hot light • Scratch-resistant glass backguard • QuickSet V glass touch oven controls with digipad entry; convection conversion; auto oven shut-off with override; start pad; delay clean option and self-clean cool down time display • Automatic self-clean lock • Two-speed convection oven
 • Convection Bake • Convection Roast • Frameless glass oven door with Big View window • Sure Grip handle • Designer-style control knobs • Automatic meat thermometer • **Certified Sabbath mode**
 • Dishwasher-safe grates • Stainless steel insert included with warming drawer

JGB920SEC Stainless steel (not shown)

JGB920TEC True white (not shown)

JGB920BEC Black on black (not shown)



GE Profile Performance™ 30" Free-Standing Spectra Convection Gas Range with Warming Drawer

JGB910BEC Black on black
 • QuickSet V glass touch oven controls with digipad entry; convection conversion; auto oven shut-off with override; start pad; delay clean option and self-clean cool down time display • Automatic self-clean lock
 • Two-speed convection oven • Convection Bake
 • Convection Roast • Frameless glass oven door with Big View window • Sure Grip handle • Designer-style control knobs • One-piece upswept porcelain-enameled cooktop • One-piece drip pans • Automatic meat thermometer • **Stainless steel insert included with warming drawer**

JGB910SEC Stainless steel (not shown)

JGB910WEC White on white (not shown)

JGB910CEC Bisque on bisque (not shown)



GE Profile™ 30" Free-Standing Spectra Commercial-Style Gas Range with Warming Drawer

JGBP90MEB Soft stainless
 • QuickSet V oven controls with digipad entry; auto oven shut-off with override; start pad; delay clean option and self-clean cool down time display
 • Automatic self-clean lock • **Soft stainless oven door with Big View window • Professional-style handle and control knobs** • One-piece upswept porcelain-enameled cooktop • Professional cooktop grates with rubber feet • Continuous grate surface



GE Profile
30" Free-Standing Spectra Gas Range
with Warming Drawer

- JGBP86WEB** White on white
- Scratch-resistant glass backguard
 - QuickSet V oven controls with digipad entry; auto oven shut-off with override; start pad; delay clean option and self-clean cool down time display
 - Automatic self-clean lock
 - Fluorescent cooktop light
 - Frameless glass oven door with Big View window
 - Sure Grip handle
 - Designer-style control knobs
 - One-piece upswept porcelain-enameled cooktop
 - Professional extra-large cast-iron grates
 - Continuous grate surface
 - One-piece drip pans
- JGBP86CEB** Bisque on bisque (not shown)
- JGBP86BEB** Black on black (not shown)



Sealed burner design helps contain spills from dripping beneath cooktop for easy clean-up.



Precise Simmer burner with 600 BTUs allows for low, even heat distribution for delicate foods and sauces.



Maximum Output burners, with 12,000 BTUs, provide maximum output for fast heat-up and boiling.



GE Profile
30" Free-Standing Spectra Gas Range
with Warming Drawer

- JGBP85BEB** Black on black
- Scratch-resistant glass backguard
 - QuickSet V oven controls with digipad entry; auto oven shut-off with override; start pad; delay clean option and self-clean cool down time display
 - Automatic self-clean lock
 - Fluorescent cooktop light
 - Frameless glass oven door with Big View window
 - Sure Grip handle
 - Designer-style control knobs
 - One-piece upswept porcelain-enameled cooktop
 - Square heavy-cast grates with rubber feet
 - One-piece drip pans
- JGBP85WEB** White on white (not shown)
- JGBP85CEB** Bisque on bisque (not shown)



GE Profile
30" Free-Standing Spectra Gas Range
with Warming Drawer

- JGBP79CEB** Bisque on bisque
- QuickSet IV oven controls with digital temperature display; auto oven shut-off with override; start pad; delay clean option; self-clean cool down time display and control lock capability
 - Scratch-resistant porcelain-enameled backguard
 - Glass oven door with Big View window
 - Sure Grip handle
 - Designer-style control knobs
 - One-piece upswept porcelain-enameled cooktop
 - Square heavy-cast grates with rubber feet
 - One-piece drip pans
- JGBP79MEF** Soft stainless (not shown)
- JGBP79WEB** White on white (not shown)
- JGBP79BEB** Black on black (not shown)

Self-Clean: Sealed Burners

These models include • The most dependable ranges you can buy! • Extra-large self-clean oven • Six embossed rack positions • QuickSet oven controls • **Sealed burners** • Electronic pilotless ignition • One-piece, upswept porcelain-enameled cooktop • Frameless glass oven door • Designer-style handle • In-oven broiling • Extra-large broiler pan • Two oven racks • Interior oven light

Note: bold = feature upgrade from previous model



GE®
30" Free-Standing Spectra™ Gas Range

JGBP35WEA White on white • TrueTemp™ system • SmartLogic™ electronic control • **QuickSet IV oven controls with digital temperature display**; auto oven shut-off with override; **start pad**; **delay clean option**; **self-clean cool down time display**; and **control lock capability** • Hi/Low broil • Precise Simmer burner • Maximum Output burner • Big View window • Storage drawer • **Grey medium-cast square grates** • Grey porcelain-enameled drip pans

JGBP35CEA Bisque on bisque (not shown)

JGBP35BEA Black on black (not shown)



GE
30" Free-Standing Spectra Gas Range

JGBP30WEA White on white • TrueTemp system • SmartLogic™ electronic control • QuickSet III oven controls with digital temperature display; auto oven shut-off and audible preheat signal • Precise Simmer burner • Maximum Output burner • Big View window • Storage drawer • Grey deluxe porcelain-steel square grates • Grey porcelain-enameled drip pans

JGBP30CEA Bisque on bisque (not shown)



GE
30" Free-Standing Spectra Gas Range

JGBP30BEA White or Bisque • TrueTemp system • SmartLogic™ electronic control • **QuickSet III oven controls with digital temperature display**; **auto oven shut-off and audible preheat signal** • Certified Sabbath mode • **Precise Simmer burner** • **Maximum Output burner** • **Big View window** • Storage drawer • **Black deluxe porcelain-steel square grates** • **Black porcelain-enameled drip pans**



GE
30" Free-Standing Spectra Gas Range

JGBP28BEA White or Bisque • QuickSet II oven controls with digital temperature display; auto oven shut-off and audible preheat signal • Certified Sabbath mode • Storage drawer • Black standard porcelain-steel square grates • Frameless black glass oven door with window

JGBP28WEA White on white (not shown)

Not all features available on all models. For additional features, specifications and color availability, refer to page 213.

Self-Clean: Standard Burners

These models include • The most dependable ranges you can buy! • Extra-large self-clean oven • Six embossed rack positions • Electronic pilotless ignition • **QuickSet oven controls** • Frameless glass oven door with designer-style handle • Lift-up cooktop • Square, standard porcelain-steel grates • One-piece, porcelain-enameled cooktop and subtop • In-oven broiling • Extra-large broiler pan with grid • Two oven racks • **Interior oven light** Note: bold = feature upgrade from previous model



ONLY GE HAS IT!

Largest* usable oven capacity has room enough for cooking an entire meal.



Sixth embossed rack position increases cooking flexibility.



GE
30" Free-Standing Gas Range
JGBP26BEA White or Bisque
• TrueTemp system • SmartLogic™ electronic control • QuickSet III oven controls with digital temperature display; delay bake option; auto oven shut-off and audible preheat signal • Certified Sabbath mode • Black porcelain-enameled drip pans • Frameless black glass oven door with window • Storage drawer
JGBP26WEA White on white (not shown)
JGBP26CEA Bisque on bisque (not shown)



GE
30" Free-Standing Gas Range
JGBP24BEA White or Bisque
• QuickSet II oven controls with digital temperature display; auto oven shut-off and audible preheat signal • **Certified Sabbath mode**

*Among leading manufacturers' brands.
Not all features available on all models.
For additional features, specifications and color availability, refer to page 213.

Standard-Clean: Sealed Burners

These models include • The most dependable ranges you can buy! • Extra-large standard-clean oven • Six embossed rack positions • Electronic clock and timer • **Sealed burners** • Porcelain-steel square grates • Electronic pilotless ignition • One-piece, upswept porcelain-enameled cooktop • Slide-out broiler drawer • Extra-large broiler pan with grid **Note: bold = feature upgrade from previous model**



ONLY GE HAS IT!

Largest* usable oven capacity has room enough for cooking an entire meal.



Sealed burner design helps contain spills from dripping beneath cooktop for easy cleanup.



Sixth embossed rack position increases cooking flexibility.



GE®
30" Free-Standing Gas Range

JGBS23WEA White on white
• **Frameless white glass oven door with Big View window** • Designer-style handle
• **Precise Simmer burner** • **Maximum Output burner** • **Grey porcelain-enameled drip pans** • Interior oven light

JGBS23CEA Bisque on bisque (not shown)
• Taupe porcelain-enameled drip pans



GE
30" Free-Standing Gas Range
JGBS23BEA White or Bisque
• **Black porcelain-enameled drip pans**



GE
30" Free-Standing Gas Range
JGBS22BEA White or Bisque
• **Frameless black glass oven door with window** • Designer-style handle
• Interior oven light

*Among leading manufacturers' brands.
Not all features available on all models.
For additional features, specifications and color availability, refer to page 214.

Continuous- & Standard-Clean: Standard Burners

These models include • The most dependable ranges you can buy! • Six embossed rack positions • Electronic pilotless ignition • Lift-up cooktop • Square, standard porcelain-steel grates • Porcelain-enameled cooktop • Easy-clean porcelain-enameled subtop • Slide-out broiler drawer • Extra-large broiler pan with grid • Two oven racks • Interior oven light

Note: bold = feature upgrade from previous model



GE
30" Free-Standing Gas Range
JGBC20BEA White or Bisque
• Extra-large continuous-clean oven
• Electronic clock and timer • **Frameless black glass oven door with window**
• Designer-style handle • One-piece upswept cooktop

JGBC20WEA White on white (not shown)

JGBS20BEA White or Almond (not shown)
• Extra-large standard-clean oven

JGBS20WEA White on white (not shown)
• Extra-large standard-clean oven



GE
30" Free-Standing Gas Range
JGBS17PEA White or Bisque
• **Extra-large standard-clean oven**
• **Electronic clock and timer** • White porcelain-enameled oven door
• **Designer-style handle** • **One-piece upswept cooktop**



GE
30" Free-Standing Gas Range
JGBS04BEA White or Bisque
• **Frameless solid black glass oven door**
• **Designer-style handle** • **Extra-large standard-clean oven** • **Black standard porcelain grates**

JGBS04BPA White or Bisque (not shown)
• Standing pilot ignition

JGBS04PEA White or Bisque (not shown)
• Solid porcelain-enameled oven door with chrome visor handle

JGBS04PPA White or Bisque (not shown)
• Standing pilot ignition



GE
30" Free-Standing Gas Range
JGBS07PEA White on white
• Extra-large standard-clean oven
• **White porcelain-enameled oven door with designer-style handle** • **Standard window** • **Interior oven light**



GE
30" Free-Standing Gas Range
JGBS03PPA White or Almond
• Solid porcelain-enameled oven door
• Chrome visor handle • Standing pilot ignition • Drop-down broiler drawer

Not all features available on all models. For additional features, specifications and color availability, refer to page 214.

Venting Options

Slide-Out Hoods

These models include • See-through glass visor slides in and out • 300-CFM performance with variable-speed fan control • Auto heat sensor • Compact housing leaves ample shelf space behind cabinet doors • Vertical exhaust with 3-1/4" x 10" rectangular duct • Cooktop light



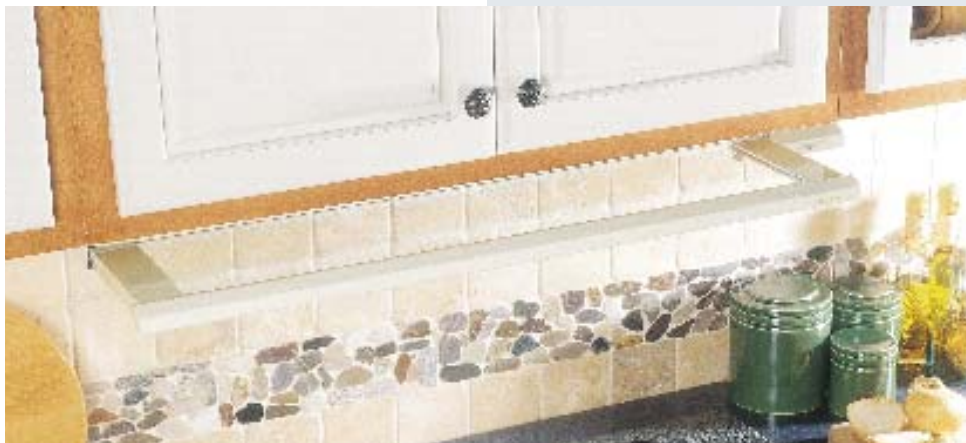
GE Profile™

36" Slide-Out Hood

JV960SC Brushed aluminum

30" Slide-Out Hood

JV930SC Brushed aluminum (not shown)



GE Profile

36" Slide-Out Hoods

JV696S Bisque on bisque

JV695S White on white (not shown)

JV694S Black on black (not shown)

30" Slide-Out Hoods

JV396S Bisque on bisque (not shown)

JV395S White on white (not shown)

JV394S Black on black (not shown)

Designer Hoods

These models include • Four-speed fan control • Two halogen cooktop lights (20 watts each) • Night light setting • Vertical exhaust (600-CFM) • Seven Sones rating • 7" round duct



GE Profile
 36" Designer Hood
JV966DSS Stainless steel



GE Profile
 36" Designer Hood
JV965DCC Bisque on bisque
JV965DWW White on white (not shown)
JV965DBB Black on black (not shown)



GE Profile
 30" Designer Hood
JV936DSS Stainless Steel



GE Profile
 30" Designer Hood
JV935DBB Black on black
JV935DWW White on white (not shown)
JV935DCC Bisque on bisque (not shown)

Not all features available on all models.
 For additional features, specifications and color availability, refer to page 215.

Refrigeration

Venting Options

Microwave Ovens

Dishwashers

Clothes Care

Water Systems

Air Conditioning

Venting Options (continued)

Telescopic Downdraft Systems

These models include • 500-CFM performance • Variable-speed fan control • Raises to 7" over cooktop surface • Retracts when not in use
 • Ideal for island or peninsula installations • 3-1/4" x 10" rectangular duct



Raise/lower vent switch provides convenience of operation.



GE Profile™
*Telescopic
 Downdraft Systems*

JVB96SA Stainless steel
 • 36" width

JVB93SA Stainless steel
 (not shown) • 30" width

Note: Approved for use with all GE Profile and GE electric and sealed burner gas cooktops. Not approved for use with standard burner gas cooktops.

These models include • 350-CFM performance • Upfront variable-speed fan with slide control • Raises to 8-3/4" over cooktop surface
 • Retracts when not in use • Ideal for island or peninsula installations • Use optional GE accessory cover (JXBC57) for outdoor installation of blower or the indoor blower mounting kit (JXRB57) for indoor remote mounting of the blower **Note: bold = feature upgrade from previous model**



Separate remote switch to raise/lower vent provides installation flexibility and convenience of operation (only available on JVB67).



GE Profile
*Telescopic
 Downdraft Systems*

JVB67AWW
 White on white
 • 36" width • **Separate remote switch to raise/lower vent**

JVB67ACC
 Bisque on bisque
 (not shown)

JVB67ABB
 Black on black (not shown)

Note: Approved for use with all GE Profile and GE electric and sealed burner gas cooktops. Not approved for use with standard burner gas cooktops.



GE Profile
*Telescopic
 Downdraft Systems*

JVB37ABB
 Black on black
 • 30" width

JVB37AWW
 White on white
 (not shown)

JVB37ACC
 Bisque on bisque
 (not shown)

Note: Cooktops sold separately.

Not all features available on all models. For additional features, specifications and color availability, refer to pages 216-217.

High-Performance, Performance, Deluxe and Standard Hoods

Note: bold = feature upgrade from previous model



GE Profile High-Performance Hood

- JV666C** Stainless steel
- 36" width • Three-speed fan control plus boost • Two halogen cooktop lights (50 watts each) • Night light setting • Vertical or rear exhaust (350/400-CFM) • 3-1/4" x 10" rectangular duct (convertible to 7" round duct)
- JV665C** White on white or Black on black (not shown)



GE Profile High-Performance Hood

- JV635C** White on white (shown) or Black on black
- 30" width • Three-speed fan control plus boost • Two halogen cooktop lights (50 watts each) • Night light setting • **Vertical or rear exhaust (350/400-CFM)** • 3-1/4" x 10" rectangular duct (convertible to 7" round duct)
- JV636C** Stainless steel (not shown)



GE Profile Performance Hoods

- JV565C** White on white (shown), Bisque on bisque or Black on black
- 36" width • **Two-speed fan control** • **200-CFM (max.)** • **Two halogen cooktop lights (50 watts each)** • Convertible exhaust options (7" round, rectangular or non-vented) • Rectangular damper included
- JV566C** Stainless steel (not shown)
- JV535C** White on white, Bisque on bisque, or Black on black (not shown)
- 30" width
- JV536C** Stainless steel (not shown)
- JXDA23** round damper accessory, available at additional cost (Models JV666/665/636/635/566/565/536/535).



GE Deluxe Hood

- JV347X** White on white (shown), Bisque on bisque, Almond on almond or Black on black
- 30" width • **Rotary control** • **Three-speed fan** • **Cooktop light with night light setting** • **Light cover** • **Convertible exhaust (shipped in non-vented configuration, convertible to 7" or rectangular exhaust)** • Rectangular damper included



GE Standard Hoods

- JV327X** White (shown), Bisque or Almond
- 30" width • 7" round duct • Easy-to-use rocker switches • Two-speed fan • Cooktop light
- JV337X** White, Bisque or Almond (not shown)
- 3-1/4" x 10" rectangular duct
 - Rectangular damper included
- JN327X** White, Bisque or Almond (not shown)
- Non-vented

JXDA22 round damper accessory, available at additional cost (Models JV347/337).

JXHC1 cord kit allows a receptacle in the cabinet over the range to accommodate either an over-the-range microwave oven or a standard hood.

Light bulbs not included.

Not all features available on all models. For additional features, specifications and color availability, refer to page 218.

The Original Spacemaker®



Since its introduction in 1979, the GE

Spacemaker microwave oven has been an

indispensable part of the American kitchen.

Today, its role is **bigger** than ever.

With roomy interiors and multiple baking

racks, our **award-winning**

microwave ovens hold up to six full-sized

plates of food. They're not only bigger—

they're also **better**. Spacemaker

microwave ovens deliver **1100 watts** of

constant cooking power for even, flavorful

results. These ovens also feature improved

vortex venting, as well as **brighter**

interior and halogen cooktop lighting.

Exclusive CircuWave™ 1100 cooking system

New CircuWave system delivers 1100 watts of output power to provide a more even distribution of heat, minimizing cold spots. It's our most powerful microwave cooking system, ever!



Quick Defrost

Convenient setting lets you thaw a pound of ground meat up to 50% faster than our previous models. What used to take 6-1/2 minutes now defrosts in just 3 minutes.



GE innovation, space-saving design

With so many features, and capabilities, it is easy to see why people are making GE Spacemaker their microwave of choice. Ideal as a second oven, these microwaves complete your cooking center.





Refrigeration

Cooking Products

Microwave Ovens

Dishwashers

Clothes Care

Water Systems

Air Conditioning

*JVM3660SF
Spacemaker microwave oven*

GE Profile Spacemaker® Ovens with Convection/Microwave Cooking

These models include • Combination convection/microwave cooking • Sensor cooking controls • Multiple combination cooking levels • SmartControl system with interactive display • Stainless steel interior • Auto/Time Defrost • Convection rack • Powerful two-speed venting

Note: bold = feature upgrade from previous model



The JVM1490 preheats faster than ever before with advanced cooking technology.



User-friendly controls give you access to a variety of programmable options, and the two-line scrolling display guides you through the cooking process.



Convection cooking combined with microwave power (Fast Bake), for cooking results up to 25% faster than conventional ovens.



Convection cooking (Bake) provides a browned, crisp exterior and moist interior.

*IEC-705 Test Procedure

Not all features available on all models. For additional features, specifications and color availability, refer to page 219.



GE Profile Spacemaker Oven

JVM1490SD Stainless steel

- 1.4 cu. ft. cavity • 900 watts* • **Fast Bake** • Bake • **Fast Defrost** • **Halogen interior lighting**
- **Halogen cooktop lighting** • **Two-line scrolling display** • Turntable • **Easy-to-use dial control**
- **Bilingual display (English/Spanish)**



JVM1490WD White on white (not shown)
JVM1490CD Bisque on bisque (not shown)
JVM1490BD Black on black (not shown)



GE Profile Spacemaker Oven

JVM1190WY White on white

- 1.1 cu. ft. cavity • 825 watts* • **Combination bake Hi/Lo**
- **Convection broil**



JVM1190SY Stainless steel (not shown)
JVM1190BY Black on black (not shown)

GE Profile™ Wall Oven with Convection/Microwave Cooking

This model includes • 1.0 cu. ft. cavity • 800 watts* • Convection cooking • Combination roast (probe) • Combination convection/microwave cooking • Sensor cooking controls • Express Cook



Convection cooking produces golden brown exteriors and moist interiors.



GE Profile
30" or 27" Convection Microwave Wall Oven

- JEB1095SB** Stainless steel
- JEB1095WB** White on white (not shown)
- JEB1095CB** Bisque on bisque (not shown)
- JEB1095BB** Black on black (not shown)

Convection/Microwave Wall Ovens provide a true built-in appearance. JEB1095 will fit a 27" or 30" cutout. A trim kit (included with all models) enables the unit to be adapted to a 30" width. Available in stainless steel, classic white, bisque and black.

GE Profile 36" Spacemaker® Microwave Oven with Sensor Cooking

This model includes • 1.8 cu. ft. cavity • 1100 watts* • CircuWave™ 1100 cooking system • **36" width application** • Sensor cooking controls • **Hidden vent for sleek appearance** • Large 14-1/4" recessed turntable • Turntable On/Off • Bright view interior with halogen lamp • Halogen cooktop lighting • Auto, Time and Quick Defrost • Add 30 seconds • Instant On controls • Bilingual display (English/Spanish) • Two-line scrolling display • **Powerful three-speed plus boost 300-CFM 36" vortex venting** • Removable rack • Easy mount installation

Note: bold = feature upgrade from previous model



Sensor controls take the guesswork out of cooking.



GE Profile
36" Spacemaker

- JVM3660SF** Stainless steel
- JVM3660BF** Black on black (control panel shown)
- JVM3660WF** White on white (not shown)
- JVM3660CF** Bisque on bisque (not shown)

*IEC-705 Test Procedure

Not all features available on all models. For additional features, specifications and color availability, refer to pages Z20-Z21.

Available April 2002

GE Profile™ and GE Spacemaker® XL1800 Microwave Ovens

These models include • CircuWave™ 1100 cooking system • Large 14-1/4" recessed turntable • **Auto, Time and Quick Defrost** • Add 30 seconds • Instant On controls • **Beeper volume control** • **Bilingual display (English/Spanish)** • **Two-line scrolling display** • **Big view window** • **Powerful three-speed plus boost 300-CFM vortex venting** • Easy mount installation • Turntable On/Off

Note: bold = feature upgrade from previous model



Six-plate capacity with two racks and recessed turntable, holds up to six dinner plates or three 9" x 13" casserole dishes.



Sensor controls take the guesswork out of cooking.



Quick Defrost lets you thaw a pound of ground meat up to 50% faster than our previous models.



Available April 2002

GE Profile Spacemaker Sensor Oven

JVM1860BF Black on black

• 1.8 cu. ft. cavity • 1100 watts* • **Hidden vent for sleek appearance** • Sensor cooking controls • **Halogen cooktop lighting** • **Two racks—6-dinner-plate capacity**



JVM1860WF

White on white (control panel shown)

JVM1860SF

Stainless steel (not shown)

JVM1861SF

Stainless steel (not shown)

• Non-vented model

JVM1860CF

Bisque on bisque (not shown)



Available April 2002

GE Spacemaker Sensor Oven

JVM1850WF White on white

• 1.8 cu. ft. cavity • 1100 watts* • **Sensor cooking controls** • **Removable rack, two positions**



JVM1850BF

Black on black (control panel shown)

JVM1851BF

Black on black (not shown)

• Non-vented model

JVM1851WF

White on white (not shown)

• Non-vented model

JVM1850CF

Bisque on bisque (not shown)

JVM1851CF

Bisque on bisque (not shown)

• Non-vented model

*IEC-705 Test Procedure

Not all features available on all models. For additional features, specifications and color availability, refer to page 220.



Convenience cooking controls allow you to defrost, cook or reheat at the touch of a pad.



GE Available April 2002

Spacemaker Convenience Oven

JVM1840BF Black on black

• 1.8 cu. ft. cavity • 1100 watts* • Full-view cooktop lighting • Convenience cooking controls • Removable rack



JVM1840WF
White on white
(control panel shown)

JVM1840CF
Bisque on bisque
(not shown)

GE Spacemaker Microwave Oven with Sensor/Convenience Cooking

This model includes • 1.6 cu. ft. cavity • 1000 watts* • CircuWave cooking system • **Sensor cooking controls** • Convenience cooking controls • **Turntable On/Off** • Auto/Time Defrost • Help pad • Add 30 seconds • Full-view cooktop lighting • Removable rack

• Powerful 300-CFM venting • Easy mount installation **Note: bold = feature upgrade from previous model**



Sensor controls take the guesswork out of cooking.



This powerful 300-CFM-rated venting system will remove smoke and steam from your cooktop.



GE Spacemaker Sensor/Convenience Oven

JVM1650WB White on white



JVM1650SB
Stainless steel
(not shown)

JVM1650CB
Bisque on bisque
(not shown)

JVM1650BB
Black on black
(not shown)

*IEC-705 Test Procedure

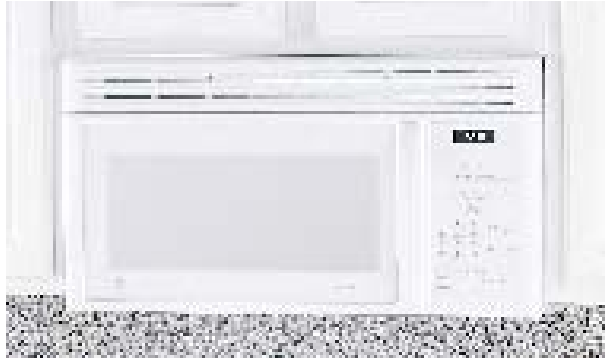
Not all features available on all models. For additional features, specifications and color availability, refer to page 220.

GE Spacemaker® Microwave Ovens

These models include • SmartControl System with interactive display • Convenience cooking controls • Delay Start • Reminder • Auto/Time Defrost • Express Cook • Add 30 seconds • Instant On controls • Timer On/Off • Full-view cooktop lighting • Easy mount installation • Powerful 300-CFM exhaust fan **Note: bold = feature upgrade from previous model**



Auto Defrost option automatically sets time and power level for fast defrosting.



JVM1640AB
Almond on almond
(not shown)

JVM1640BB
Black on black
(not shown)



Convenience cooking controls allow you to defrost, cook or reheat at the touch of a pad.

GE
Spacemaker Convenience Oven

JVM1640WB White on white

- 1.6 cu. ft. oven cavity • 1000 watts* • CircuWave™ cooking system
- Turntable On/Off • Beeper volume control • Removable rack



JVM1631BB
Black on black
(not shown)
• Non-vented model

JVM1630WB
White on white
(not shown)

JVM1631WB
White on white
(not shown)
• Non-vented model

JVM1631CD
Bisque on bisque
(not shown)
• Non-vented model



Add 30 seconds extends cooking time without the hassle of reprogramming.

GE
Spacemaker Convenience Oven

JVM1630BB Black on black

- 1.6 cu. ft. cavity • 1000 watts* • CircuWave cooking system
- Turntable



This powerful 300-CFM-rated venting system will remove smoke and steam from your cooktop.



JVM1440BD
Black on black
(not shown)

JVM1441WD
White on white
(not shown)
• Non-vented model

JVM1441BD
Black on black
(not shown)
• Non-vented model

GE
Spacemaker Convenience Oven

JVM1440WD White on white

- 1.4 cu. ft. oven cavity • 950 watts* • CircuWave cooking system
- Turntable On/Off • Removable rack

*IEC-705 Test Procedure

Not all features available on all models. For additional features, specifications and color availability, refer to page 220.

GE Profile Spacemaker® Oven with Convection/Microwave Cooking

This model includes • 1.5 cu. ft. oven cavity • 1000 watts* • Convection and Combination Bake • Easy-to-use dial control • Two-line scrolling display • Sensor cooking controls • Auto/Time Defrost • Timer On/Off • Recessed turntable • Optional trim kit available**

Note: bold = feature upgrade from previous model



Convection cooking produces flavorful and beautifully browned food.



The user-friendly controls give you access to a variety of programmable options.



Model shown with trim kit**



GE Profile Convection/Microwave Oven

JE1590SC Stainless steel

JE1590WC White on white (not shown)

JE1590CC Bisque on bisque (not shown)

JE1590BC Black on black (not shown)

Refrigeration

Cooking Products

Microwave Ovens

GE Profile Microwave Ovens with Sensor Cooking

These models include • Scrolling display • Sensor cooking controls • Auto/Time Defrost • Express Cook • Add 30 seconds

• Instant On controls • Timer On/Off • Optional trim kit available** Note: bold = feature upgrade from previous model



Sensor controls take the guesswork out of cooking.



Model shown with trim kit**



GE Profile Sensor Oven

JE1860SB Stainless steel • Extra-large 1.8 cu. ft. cavity • 1100 watts* • Turntable On/Off

JE1860WB White on white (not shown)

JE1860CB Bisque on bisque (not shown)

JE1860GB Black with greystone case (not shown)

Dishwashers

Clothes Care

*IEC-705 Test Procedure

**Optional Trim Kit—Custom Trim kits available in both 27" and 30" configurations at an additional cost.

†Undercabinet mounting kit—Noted microwave ovens can easily be mounted below your cabinetry, freeing up valuable counter space. A mounting template provides all the necessary measurements for installation on practically any wood or metal cabinets.

Not all features available on all models. For additional features, specifications and color availability, refer to pages 222-223.



Available May 2002



GE Profile Sensor Oven

JEM31SF Stainless steel with greystone case • Mid-size 1.0 cu. ft. cavity • 800 watts* • Recessed turntable • Optional under-cabinet mounting kit available†

JEM31WF White on white (not shown)

JEM31CF Bisque on bisque (not shown)

JEM31BF Black with black case (not shown)

Water Systems

Air Conditioning

GE® Microwave Ovens with Sensor Cooking

These models include • Scrolling display • Sensor cooking controls • Auto/Time Defrost • Express Cook • Add 30 seconds
 • Instant On controls • Timer On/Off • Turntable **Note: bold = feature upgrade from previous model**



Sensor controls take the guesswork out of cooking.



Scrolling display is easy to read and a helpful cooking guide.



The versatility of a GE microwave fits any consumer's needs. The ability to build into a wall frees up valuable counter space.



GE
Sensor Oven

JE1660WB White on white
 • Full-size 1.6 cu. ft. cavity • 1100 watts*



JE1660GB
 Black with greystone case (not shown)



GE
Sensor Oven

JE1460BF Black on black
 • Family-size 1.4 cu. ft. cavity • 1150 watts* • Recessed turntable



JE1460WF
 White on white (not shown)



GE
Sensor Oven

JE1160WD White on white
 • Mid-size 1.1 cu. ft. cavity • 1100 watts*



JE1160BD
 Black on black (not shown)

*IEC-705 Test Procedure

**Optional Trim Kit—Custom Trim kits available in both 27" and 30" configurations at an additional cost.

†Undercabinet mounting kit—Noted microwave ovens can easily be mounted below your cabinetry, freeing up valuable counter space. A mounting template provides all the necessary measurements for installation on practically any wood or metal cabinets.

Not all features available on all models. For additional features, specifications and color availability, refer to page 222.

GE Microwave Ovens with Convenience Cooking

These models include • Convenience cooking controls • Turntable • Auto/Time Defrost • Electronic touch controls • Electronic digital display with clock • Express Cook • Child lockout **Note: bold = feature upgrade from previous model**



GE
Convenience Oven

JE1840WB White on white
• **Extra-large 1.8 cu. ft. cavity** • 1100 watts* • Optional trim kit available**

JE1840GB Black with greystone case (not shown)

GE
Convenience Oven

JE1640GB Black with greystone case
• **Full-size 1.6 cu. ft. cavity** • 1100 watts* • **Optional trim kit available****

JE1640WB White on white (not shown)

JE1640AB Almond on almond (not shown)



GE
Convenience Oven

Available March 2002

JE1440BF Black on black
• **Family-size 1.4 cu. ft. cavity** • 1150 watts* • Recessed turntable

JE1440WF White on white (not shown)

GE
Convenience Oven

JE1140WD White on white
• **Mid-size 1.1 cu. ft. cavity** • 1100 watts*

JE1140BD Black on black (not shown)



GE
Convenience Oven

JE740WY White on white
• **Compact .7 cu. ft. cavity** • 700 watts* • Electronic digital display with clock • Optional undercabinet mounting kit available†

JE740GY Black with greystone case (not shown)

Not all features available on all models.
For additional features, specifications and color availability, refer to pages 222-223.

*IEC-705 Test Procedure

**Optional Trim Kit—Custom Trim kits available in both 27" and 30" configurations at an additional cost.

†Undercabinet mounting kit—Noted microwave ovens can easily be mounted below your cabinetry, freeing up valuable counter space. A mounting template provides all the necessary measurements for installation on practically any wood or metal cabinets.

Refrigeration

Cooking Products

Microwave Ovens

Dishwashers

Clothes Care

Water Systems

Air Conditioning

GE® Compact Microwave Ovens

Note: bold = feature upgrade from previous model



GE Compact Oven

- JES834WD** White on white
- .8 cu. ft. cavity • 800 watts* • Turntable
 - Auto/Time Defrost • Electronic touch controls
 - Electronic digital display with clock • Pocket handle



GE Compact Oven

- JE710BA** Black on black
- .7 cu. ft. cavity • 600 watts* • 15-minute timer
 - Turntable • Optional undercabinet hanging kit available†



GE Spacemaker II™ Microwave Oven

GE Compact Oven

Available June 2002

- JE620BF** Black on black
- .6 cu. ft. cavity • 600 watts* • Electronic touch controls • Electronic digital display with clock
 - Turntable • Time Defrost • Optional undercabinet mounting kit available†

JE620WF White on white (not shown)



Model shown with trim kit**

GE Spacemaker II Oven

Available May 2002

- JEM25WF** White on white
- Mid-size 1.0 cu. ft. cavity • 800 watts* • Convenience cooking controls
 - Auto/Time Defrost • Sound on/off • Recessed turntable • Optional undercabinet mounting kit available†

JEM25BF Black on black (not shown)

*IEC-705 Test Procedure

**Optional Trim Kit—Custom Trim kits available in both 27" and 30" configurations at an additional cost.

†Undercabinet mounting kit—Noted microwave ovens can easily be mounted below your cabinetry, freeing up valuable counter space. A mounting template provides all the necessary measurements for installation on practically any wood or metal cabinets.

Not all features available on all models.
For additional features, specifications and color availability, refer to page 223.

Microwave Oven Trim Kits



Deluxe Built-In Trim Kit For 1.8 Cu. Ft. Microwave Ovens
 Trim kits allow installation of the 1.8 countertop microwave oven in a wall or cabinet alone, or over a GE® 27" or 30" single electric wall oven as shown.

30" Deluxe Trim Kits for Models JE1860 and JE1840

JX1830SB—Stainless Steel, JX1830WB—White
 JX1830CB—Bisque, JX1830BB—Black

27" Deluxe Trim Kits for Models JE1860 and JE1840

JX1827SB—Stainless Steel, JX1827WB—White
 JX1827CB—Bisque, JX1827BB—Black



Deluxe Built-In Trim Kit For 1.6 Cu. Ft. Microwave Ovens

This trim kit allows for built-in installation of the 1.6 countertop microwave oven in a wall or cabinet alone, or over a GE 30" or 27" single electric wall oven as shown.

30" Deluxe Trim Kits for Models JE1660 and JE1640

JX1530MWW—White, JX1530MAW—Almond, JX1530MBW—Black

27" Deluxe Trim Kits for Models JE1660 and JE1640

JX1527MWW—White, JX1527MAW—Almond, JX1527MBW—Black



Deluxe Trim Kits For 1.5 Cu. Ft. GE Profile™ Microwave Ovens

Built-in trim kits allow installation in a wall or cabinet alone, or over a GE 30" or 27" single electric wall oven. Use a convection wall oven under these convection microwave ovens for a complete convection cooking center.

30" Deluxe Trim Kits for Model JE1590

JX1530CSC—Stainless, JX1530CWC—White
 JX1530CCC—Bisque, JX1530CBC—Black

27" Deluxe Trim Kits for Model JE1590

JX1527CSC—Stainless, JX1527CWC—White
 JX1527CCC—Bisque, JX1527CBC—Black



Built-In Trim Kit For .9 Cu. Ft. Microwave Ovens

For a custom built-in appearance, this kit allows built-in installation of the Spacemaker II microwave oven into a wall or cabinet alone.

Trim Kits for Models JEM31 and JEM25

JX827SS—Stainless Steel, JX827WN—White
 JX827CD—Bisque, JX827BN—Black



Hanging Kit For .5, .7 and .9 Cu. Ft. Microwave Ovens

This hanging kit allows installation under a cabinet.

Hanging Kit for Models JE620, JE740, JE710, JEM25, JEM31

Pub. No. 4-A019

Refrigeration

Cooking Products

Microwave Ovens

Dishwashers

Clothes Care

Water Systems

Air Conditioning

A dishwasher for every kitchen.



Now there's a highly fashionable, highly
functional dishwasher for every kitchen.

Graceful in appearance, powerful in
performance, GE Profile™ contoured

door and CustomStyle™ dishwashers satisfy
virtually any need. Multiple spray arms and
multiple levels of wash action assure that
every dish and utensil is sparkling clean.

Innovative sensor technology saves
time and energy, providing just the right amount
of cleaning power and water for the load.

For those who prefer simpler lines, the new
GE Triton XL™ provides the same **efficient**
washing features of the Profile models, but in
a more straightforward design. All GE Profile
and GE models offer tremendous loading
flexibility and **quiet** operation.

The leading edge of kitchen design

GE has created the only dishwasher
with a full-length contoured door, as well
as a unique, full-wrap stainless steel door.
Inlaid, light-touch electronic controls
provide a smooth, seamless appearance.



Remarkable loading flexibility

The capacious interior accommodates
up to 16 place settings, as well as extra
tall dishes and glasses. The Tall-Over-Tall™
rack design lets you load oversized
items without adjustment.



Incredibly quiet operation

Thininstall™ insulation keeps the
dishwasher from intruding on family
dinner conversations, while the
ActiveVent II system seals in sound
during the wash cycle.



Premium performance, clean and simple

Direct-feed wash arms provide total
cleaning coverage, and multiple levels of
wash action provide impressive results. An
extensive filter system helps prevent food
soils from being redeposited on dishes.





Refrigeration

Cooking Products

Microwave Ovens

Dishwashers

Clothes Care

Water Systems

Air Conditioning



GE Profile™ Built-In Dishwashers

These models include • ENERGY STAR®-qualified • ExtraClean™ wash system • ExtraFine™ filter • ExtraClean™ sensor • Automatic temperature control • Inlaid light-touch electronic controls • Squeeze latch • Last cycle memory • NSF-certified anti-bacteria cycle • Cookware cycle • China/Crystal cycle • SpeedCycle™ selection • **Added heat enhancement** • Child lock option • Automatic HotStart™ feature • Tall-Over-Tall™ nylon rack system with CleanTip tines • Super capacity three-piece modular silverware basket • QuietPower™ IV sound insulation package with Thinstall™ insulation and mastic • QuietPower motor • ActiveVent II system • Trimless design • Multi-wattage heating element **Note: bold = feature upgrade from previous model**



Certified to exceed ENERGY STAR guidelines for energy efficiency.

ONLY GE HAS IT!



Tall-Over-Tall towerless rack design accommodates tall items like 9-1/4" glasses in the upper rack and a 20-quart stock pot in the lower rack—no adjustment required.

ONLY GE HAS IT!



The ExtraClean sensor design continually monitors every cycle and adjusts for water soil content, water temperature, wash cycle length and the amount of water needed to clean dishes efficiently.



The ExtraClean wash system has three direct-feed wash arms to clean every spot on every dish.



GE Profile Built-In Dishwasher

PDW7880GSS Stainless steel exterior

- **Contoured door** • Countdown display with six status lights • 12 touchpads • 1-9-hour Delay Start option
- Glasses cycle • Two sets fold-down tines and two sets multi-position fold-down tines in upper rack • Four sets fold-down tines in lower rack • Four utility shelves with StemSafe system • ExtraShelf

PDW7800GWW White on white (not shown)

PDW7800GCC Bisque on bisque (not shown)

PDW7800GBB Black on black (not shown)

As an ENERGY STAR® partner, GE has determined that this product meets the ENERGY STAR® guidelines for energy efficiency.



The stainless front panel dishwasher is the only model with semi-integrated controls. Black, bisque and white models have a separate control panel.



GE Profile Built-In Dishwasher

PDW7700GWW White on white

- Long, flat door • **CustomStyle™ panel trim kit available**
- Countdown display with six status lights • 12 touchpads
- 1-9-hour Delay Start option • Glasses cycle • Two sets fold-down tines and two sets multi-position fold-down tines in upper rack • Four sets fold-down tines in lower rack
- Four utility shelves with StemSafe system • ExtraShelf

PDW7700GBB Black on black (not shown)

PDW7700GCC Bisque on bisque (not shown)

As an ENERGY STAR® partner, GE has determined that this product meets the ENERGY STAR® guidelines for energy efficiency.



Not all features available on all models. For additional features, specifications and color availability, refer to pages 225-226.

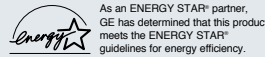


NSF Protocol for sanitization and cleaning performance of household spray-type dishwashers. (1997)



GE Profile
Built-In Dishwasher

- PDW7300GCC** Bisque on bisque
 • **Contoured door** • Six status lights • 11 touchpads 2/4/8-hour Delay Start option • One set fold-down tines and one set multi-position fold-down tines in upper rack • Two sets fold-down tines in lower rack • Two utility shelves with StemSafe system
PDW7300GWW White on white (not shown)
PDW7300GBB Black on black (not shown)



GE Profile Built-In Dishwasher with Stainless Interior



Certified to exceed ENERGY STAR guidelines for energy efficiency.

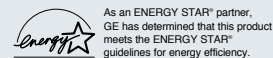


Lustrous stainless steel interior maintains its sheen throughout years of use, resisting rust and stains.



GE Profile
Built-In Dishwasher with stainless interior

- PDW8000GCC** Bisque on bisque
 • ENERGY STAR-qualified • Four-level wash system • Variable cycles/options • NSF-certified anti-bacteria cycle • Cookware cycle • China/Crystal cycle • 100% filtration system • 2/4/6-hour Delay Start option • Fan assist dry • Adjustable nylon upper rack • Nylon lower rack with fold-down CleanTip™ tines • Two utility shelves with stem holder • Deluxe Plus silverware basket • Ready-to-install hard countertop installation • Quiet 8000 sound package with mastic and steel case
PDW8060GSS Stainless (not shown)
PDW8000GWW White on white (not shown)
PDW8000GBB Black on black (not shown)



GE Triton XL™ Built-In Dishwashers

These models include • Long, flat door • ENERGY STAR®-qualified • XtraClean™ wash system • XtraFine™ filter • XtraClean™ sensor • Automatic temperature control • Inlaid light-touch electronic controls • Squeeze latch • Last cycle memory • Variable cycles/options • NSF-certified anti-bacteria cycle • Pots & Pans cycle • China/Crystal cycle • 2/4/8-hour Delay Start option • **Hi-Temp Wash and Rinse** • Automatic HotStart™ feature • Child lock option • Two utility shelves • Super capacity silverware basket • **QuietPower™ IV sound insulation package with Thinstall™ insulation and mastic** • QuietPower motor • **ActiveVent II system** • Trimless design • **Multi-wattage heating element**

Note: bold = feature upgrade from previous model



Certified to exceed ENERGY STAR guidelines for energy efficiency.



Extra-large capacity holds up to 16 place settings at once.



The QuietPower IV sound insulation package, featuring Thinstall insulation and mastic, cushions the dishwasher to keep noise inside where it belongs.

ONLY GE HAS IT!



The XtraClean sensor design continually monitors every cycle and adjusts for water soil content, water temperature, wash cycle length and the amount of water needed to clean dishes efficiently.

Not all features available on all models. For additional features, specifications and color availability, refer to page 227.



GE Triton XL Built-In Dishwasher

GSD6660GSS Stainless steel exterior

• Six status lights • Ten touchpads • SpeedCycle™ selection • Tall-Over-Tall™ nylon rack system with CleanTip™ tines • Two fold-down tines in lower rack • Three-piece modular silverware basket



As an ENERGY STAR® partner, GE has determined that this product meets the ENERGY STAR® guidelines for energy efficiency.



GE Triton XL Built-In Dishwasher

GSD6660GBB Black on black

• Six status lights • Ten touchpads • SpeedCycle™ selection • Tall-Over-Tall™ nylon rack system with CleanTip™ tines • Two fold-down tines in lower rack • Three-piece modular silverware basket

GSD6660GWW White on white (not shown)

GSD6660GCC Bisque on bisque (not shown)



As an ENERGY STAR® partner, GE has determined that this product meets the ENERGY STAR® guidelines for energy efficiency.



NSF Protocol for sanitization and cleaning performance of household spray-type dishwashers. (1997)



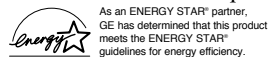
**GE Triton XL
Built-In Dishwasher**

GSD6200GWW White on white

- One “Clean” light and one “Sanitized” light
- Nine touchpads • Tall-Over-Tall rack system with CleanTip tines • One-piece silverware basket with two cell covers

GSD6200GBB Black on black (not shown)

GSD6200GCC Bisque on bisque (not shown)



GE Triton™ Built-In Dishwashers

These models include • ENERGY STAR®-qualified • TriClean™ wash system (three wash arms, 100% triple water filtration with dual pumps, Piranha™ hard food disposer) • Electronic controls • Variable cycles/options • China/Crystal cycle • 2/4/8-hour Delay Start option • Super upper rack • Super lower rack • Super capacity silverware basket • QuietPower™ motor • Trimless design • Steel door

Note: bold = feature upgrade from previous model

ONLY GE HAS IT!



TriClean wash system has three wash arms that provide complete coverage, eliminating pre-rinsing, soaking and scrubbing.



Certified to exceed ENERGY STAR guidelines for energy efficiency.



Piranha hard food disposer pulverizes food particles eliminating the need to pre-rinse dishes.



SaniWash cycle reduces 99.999% of the bacteria found on dishes. NSF-certified.



GE Triton Built-In Dishwasher

GSD5560GSS Black/Stainless

- CleanSensor • SaniWash cycle • Light Wash cycle
- QuietPower II sound package



As an ENERGY STAR® partner, GE has determined that this product meets the ENERGY STAR® guidelines for energy efficiency.



GE Triton Built-In Dishwasher

GSD5500GCC Bisque on bisque

- CleanSensor • SaniWash cycle • Light Wash cycle
- QuietPower II sound package

GSD5500GWW White on white (not shown)

GSD5500GBB Black on black (not shown)



As an ENERGY STAR® partner, GE has determined that this product meets the ENERGY STAR® guidelines for energy efficiency.



Not all features available on all models. For additional features, specifications and color availability, refer to page 227.



NSF Protocol for sanitization and cleaning performance of household spray-type dishwashers. (1997)

GE® Built-In Dishwashers



SureClean™ wash system lets you count on shiny, sparkling dishes every time. GE wash design assures powerful sprays of water are directed at every dish.



HotStart option preheats prior to main wash for great wash performance every time.



GE Built-In Dishwasher

GSD3800GBB Black on black

- SureClean wash system • Dual filtration • TouchTap™ controls • 6 cycles/35 options • Pots & Pans cycle
- Heavy Wash cycle • Normal Wash cycle • Light Wash cycle • Plate Warmer cycle • Hi-Temp Wash option
- 1-6-hour Delay Start option • Deluxe Plus upper rack • Deluxe lower rack • Deluxe silverware basket • Two utility shelves • QuietPower I sound package
- QuietPower motor • Trimless design • Steel door

GSD3800GWW White on white (not shown)

GSD3800GCC Bisque on bisque (not shown)



As an ENERGY STAR® partner, GE has determined that this product meets the ENERGY STAR® guidelines for energy efficiency.

Not all features available on all models. For additional features, specifications and color availability, refer to page 228.

GE Nautilus™ Built-In Dishwashers

These models include • Normal Wash cycle • Short Wash cycle (on dial) • Rinse Only cycle (on dial) • Heated Dry option
 • QuietPower™ motor • Trimless design • Steel door **Note: bold = feature upgrade from previous model**



PowerScrub™ wash system has two wash arms mounted on top and lower levels, plus a spray tower in the middle.



GE Nautilus™ Built-In Dishwasher

GSD4800GWW White on white

- PowerScrub wash system • Piranha™ hard food disposer • **Electronic controls** • 5 cycles/34 options
- China/Crystal cycle • **2/4/8-hour Delay Start option** • **Hi-Temp Wash and Rinse options** • **Child lock option**
- Deluxe Plus upper rack • Deluxe lower rack • Deluxe silverware basket • Two utility shelves
- QuietPower I sound package

GSD4800GCC

Bisque on bisque (not shown)

GSD4800GBB

Black on black (not shown)



Enjoy a more peaceful kitchen with our QuietPower™ motor.



GE Nautilus Built-In Dishwasher

GSD3660GSS Black/Stainless

- **7 cycles/39 options** • PowerScrub wash system • Piranha hard food disposer • **TouchTap™ controls**
- Pots & Pans cycle • **China/Crystal cycle** • Plate Warmer cycle • **1-6-hour Delay Start option** • Hi-Temp Wash option
- HotStart option • **Deluxe Plus upper rack** • Deluxe lower rack • Deluxe silverware basket
- **Two utility shelves** • QuietPower I sound package

GSD3600GWW

White on white (not shown)

GSD3600GCC

Bisque on bisque (not shown)

GSD3600GBB

Black on black (not shown)



HotStart™ option preheats prior to main wash for great wash performance every time.



GE Nautilus Built-In Dishwasher

GSD3200GBB Black on black

- **5 cycles/22 options** • PowerScrub wash system • Piranha hard food disposer • Pots & Pans cycle • Plate Warmer cycle
- **Hi-Temp Wash option** • HotStart option • **Deluxe upper rack** • Deluxe lower rack • Deluxe silverware basket
- **QuietPower I sound package**

GSD3200GWW

White on white (not shown)

GSD3200GCC

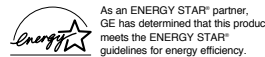
Bisque on bisque (not shown)



GE Nautilus Built-In Dishwasher

GSD2200GWW White on white

- **ENERGY STAR®-qualified** • **5 cycles/12 options** • Pots & Pans cycle • HotStart option
- Deluxe lower rack • Deluxe silverware basket • **QuietDesign™ sound package**



GSD2200GCC

Bisque on bisque (not shown)

GSD2200GBB

Black on black (not shown)

GSD2201GWW

White on white (not shown)

- Power cord attached



GE Nautilus Built-In Dishwasher

GSD2000GCC Bisque on bisque

- 4 cycles/9 options • HotStart option • Deluxe lower rack • Deluxe silverware basket • Standard sound package

GSD2000GWW

Bisque on bisque (not shown)

GSD2000GAA

Almond on almond (not shown)

GSD2000GBB

Black on black (not shown)

GSD2001GWW

White on white (not shown)

- Power cord attached

Not all features available on all models. For additional features, specifications and color availability, refer to page Z28.

GSD1900GWH White with black control panel

GE Nautilus Convertible Dishwashers

These models include • PowerScrub wash system • Five wash levels • Piranha hard food disposer • Pots & Pans cycle • Normal Wash cycle • Short Wash cycle (on dial) • Plate Warmer cycle (on dial) • Rinse Only cycle (on dial) • Heated Dry option • Hi-Temp Wash option • HotStart option • Deluxe rack system • QuietDesign™ sound package • QuietPower motor • Woodgrain laminate top • Trimless design

Note: bold = feature upgrade from previous model



PowerScrub wash system has two wash arms mounted on top and lower levels, plus a spray tower in the middle.



Enjoy a more peaceful kitchen with our QuietPower motor.



HotStart option preheats prior to main wash for great wash performance every time.



Piranha hard food disposer pulverizes food particles eliminating the need to pre-rinse dishes.



Portable now



Built-in later



GE Nautilus
Convertible Dishwasher

GSC3400GWW White on white
GSC3400GBB Black on black (not shown)

• **7 cycles/39 options** • **TouchTap controls** • **China/Crystal cycle** • **Six-hour Delay Start option** • **Deluxe split silverware basket** • **Rinse aid dispenser with indicator**



GE Nautilus
Convertible Dishwasher

GSC3200GBB Black on black
GSC3200GWW White on white (not shown)

• **5 cycles/22 options** • **Deluxe silverware basket**

Not all features available on all models. For additional features, specifications and color availability, refer to page 229.

Spacemaker® Under-the-Sink Dishwashers



Installed under a single sink



Installed under a cooktop

GE

Under-the-Sink Dishwasher

GSM2100GWW White on white

GSM2100GCC Bisque on bisque

ENERGY STAR®-qualified

- 5 cycles/12 options • Two wash levels
- Pots & Pans cycle • Normal Wash cycle
- Short Wash cycle (on dial) • Plate Warmer cycle (on dial) • Rinse Only cycle (on dial)
- HotStart™ option • PermaTuf® tub
- Spacemaker upper rack • Deluxe lower rack • Deluxe silverware basket
- QuietPower™ motor

Note: Under-the-Sink dishwashers can be installed under GE cooktop models JP200V and JP201CV. Refer to cooktop installation instructions.



As an ENERGY STAR® partner, GE has determined that this product meets the ENERGY STAR® guidelines for energy efficiency.



Spacemaker 18" Built-In Dishwasher



GE

Spacemaker 18" Built-In Dishwasher

GSS1800Z

- 4 cycles/7 options • Two wash levels • Pots & Pans cycle • Normal Wash cycle (on dial) • Light Wash cycle (on dial) • Heated Dry option • Standard silverware basket • Reversible color panels
- Black, Almond, White

Not all features available on all models.
For additional features, specifications and color availability, refer to pages 229-230.

GE Disposall®—Food Waste Disposers

These models include • Stainless steel, dual-swivel, anti-jam grinding blades • Manual reset overload protector • Removable splash guard (continuous feed models only) • Drain connector kit

Note: bold = feature upgrade from previous model



GFC1020F



GFC720F



**GFC530F/
GFC535F**



**GFC520F/
GFC525F**



**GFC320F/
GFC325F**



GFB760F



GFC329G

GE®
Continuous Feed Disposers

GFC1020F

- Heavy-duty 1 HP motor • 2800 RPM grinding action • Super capacity
- QuietPower III sound insulation package • EZ-Mount installation
- Stainless steel sink flange • Sink stopper • One-year full replacement plus six-year limited warranty*

GFC720F

- Heavy-duty 3/4 HP motor • 2700 RPM grinding action • Super capacity • QuietPower II sound insulation package • EZ-Mount installation
- Stainless steel sink flange • Sink stopper • One-year full replacement plus four-year limited warranty*

GFC530F

- Heavy-duty 1/2 HP motor • 2600 RPM grinding action • Extra-large capacity • QuietPower I sound insulation package • EZ-Mount installation
- Stainless steel sink flange • Sink stopper • One-year full replacement plus two-year limited warranty*

GFC535F

Similar to GFC530 but has attached line cord

GFC520F

- Heavy-duty 1/2 HP motor • 2600 RPM grinding action • Large capacity • Standard sound insulation package • EZ-Mount installation
- Stainless steel sink flange • Sink stopper • One-year full replacement plus one-year limited warranty*

GFC525F

Similar to GFC520 but has attached line cord

GFC320F

- 1/3 HP motor • 1900 RPM grinding action • Large capacity
- Standard sound insulation package • EZ-Mount installation
- Stainless steel sink flange • Sink stopper • One-year full replacement warranty*

GFC325F

Similar to GFC320 but has attached line cord

GE

Batch Feed Disposer

GFB760F

- Heavy-duty 3/4 HP motor • 2700 RPM grinding action • Super capacity • QuietPower II sound insulation package • One-year full replacement plus four-year limited warranty*

GE

Three-Bolt mount adaptable Disposer designed to mount to existing three-bolt mount system

GFC329G

- 1/3 HP motor • 1900 RPM grinding action • Large capacity
- Standard sound insulation package • One-year full replacement warranty*

*See written warranty for details.

Built-In Compactors



GE Profile™
Built-In Compactor

- GCG1540FSS** Stainless steel
- Built-in only • 1.4 cu. ft. capacity
 - 1/3-horsepower • Removable key lock
 - Toe pedal opener • Rear wheels allow easy movement and installation
 - Heavy-gauge steel construction

GCG1550FCC Bisque on bisque (not shown)

GCG1530FWW White on white (not shown)

GCG1520FBB Black on black (not shown)

Not all features available on all models. For additional features, specifications and color availability, refer to page 232.

Exceptional clothes care
and convenience.

In a perfect world, you could do the

laundry in minimal time, with little effort,

and get the results you want. New

GE Profile™ fully electronic washers and

dryers make this world a reality. Engineered

with an innovative variable-speed

motor and sensor technology,

GE Profile washers can clean and

care for everything from dirty jeans to

delicate sweaters. These washers also

feature our exclusive ExtrAction Tub™,

which improves moisture extraction by up

to 24%, reducing dry times and extending

the life of the clothes. And each washer

and dryer has a convenient digital

readout, which provides accurate

cycle countdown, from start to finish.

ExtrAction tub

Our revolutionary ExtrAction tub improves moisture extraction by up to 24%, reducing dry times, resulting in less clothing wear and tear.



Variable speed motor

The electronically controlled drive offers up to 12 wash/spin speed combinations for precise fabric care. There are settings for heavy cottons, synthetics and delicates, along with several variations in between. Featuring Ultra Handwash pulse agitation at 30 strokes/minute. America's Gentlest Agitation™.



Electronic control panel

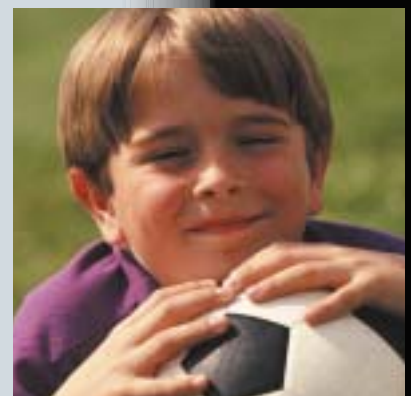
Preprogrammed cycles offer better clothing care, and one-touch controls save time. Getting exceptional results is simply a matter of pressing a button.



Speed Wash and Dry

Our Speed Wash/Dry system washes and dries a soccer uniform, school uniform or golf outfit in 30 minutes or less.

This is about 33% faster than other speed wash/dry systems on the market.





Refrigeration

Cooking Products

Microwave Ovens

Dishwashers

Clothes Care

Water Systems

Air Conditioning

GE Profile™ Washers and Dryers

Perfect care. Perfect timing. Perfectly simple.

GE Profile washers and dryers provide the perfect combination of clothes care and convenience through a collection of innovative technologies. PerfectTemp Plus ensures that the water is always the right temperature.

And Sensor Dry Plus monitors moisture levels and adjusts dry times, protecting clothes from heat damage.

Thanks to the Adaptive Logic System™ and ExtrAction Tub™, the task of doing laundry is far less time-consuming.

Adaptive Logic takes into account household and load variables to make cycle times more accurate.

And the ExtrAction tub removes up to 24% more moisture away from clothes,** reducing dry times.

For most loads, washer and dryer cycles are closely matched.

And if you're in a real hurry, the Speed Wash/Speed Dry system delivers ready-to-go results in just 30 minutes!*

User-friendly, one-touch electronic controls also save you time. Doing laundry has never been easier.

*Soccer uniform, school uniform or golf outfit.
**Versus other GE models.

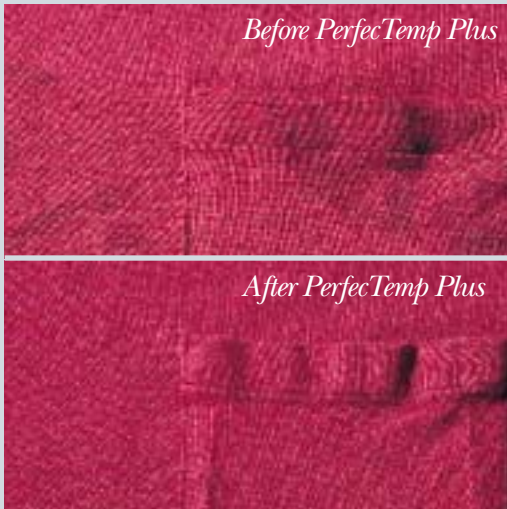




Fully electronic



Adaptive Logic System



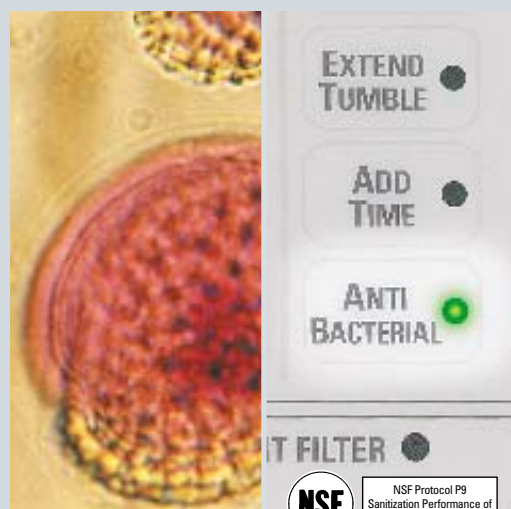
PerfectTemp Plus



Delicate cycle



Sensor Dry Plus



Antibacterial dryer option

GE Profile Wizard™ Washer and Dryer

“Simply brilliant!”

In 1995, GE introduced the largest washer in America. Today, GE’s tradition of laundry innovation continues with the Wizard washer and dryer. Designed for simple operation, our intelligent laundry pair has One-Touch controls and a powerful memory. The Wizard remembers the last load washed, and it continually adapts to a range of household variables and load sizes.



WPSE7003A shown with DPSE592EA/DPSE592CA

Washer Features



Stain Wash eliminates or reduces the need for pretreating, alternating soak and agitation. It can be used on any fabric, any cycle.



Speed Wash thoroughly cleans clothes and makes them bright in a matter of minutes—perfect for families on the go.



The Adaptive Logic System™ automatically adjusts cycle times according to household conditions.



PerfectTemp Plus is GE’s most accurate temperature control system. That means it has the extraordinary ability to maximize detergent’s effectiveness.

Dryer Features

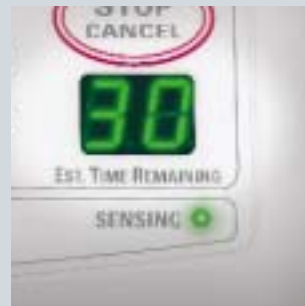


Antibacterial dryer option reduces 99.9% of certain types of bacteria.*

*Including Staphylococcus aureus, Pseudomonas aeruginosa, and Klebsiella pneumoniae, NSF certified.



Speed Dry comes to the rescue when the pressure’s on to get ready for school and out the door in a matter of minutes.



Sensor Dry Plus prevents overdrying and underdrying, extending the life of clothes. It’s 24% faster than the Sensor Dry system.



Deluxe dryer rack allows you to conveniently dry special items like washable sneakers and stuffed animals.

This washer includes • Multiple wash selections • 5 wash/spin speed combinations • One-Touch operation • Adaptive Logic System • PerfecTemp Plus • Stain Wash cycle • Speed Wash • Custom cycles • Power Rinse™ • Extended soak/presoak • Extended spin • Second rinse • Deluxe end-of-cycle signal • Lifetime basket warranty • Delay Start (1-8 hours) • Hush Quiet Plus • Digital countdown • SpotSpray • Full 10-year warranty



GE Profile Wizard
3.2 cu. ft. Super Capacity Plus Washer
WPSE7003A



This dryer includes • Multiple drying cycles • 5 heat selections • One-Touch operation • Adaptive Logic System • Sensor Dry Plus • Antibacterial option • Speed Dry • Delicate cycle • Wrinkle Care Extended Tumble • Custom cycles • Hush Quiet Plus • Interior dryer light • End-of-cycle signal • Dryer® cycle • Dewrinkle cycle • Digital countdown • Deluxe dryer rack • Full 10-year warranty



GE Profile Wizard
7.0 cu. ft. Super Capacity Dryer
DPSE592EA/DPSE592GA



Not all features available on all models. For additional features, specifications and color availability, refer to pages Z33-Z34.

GE Profile™ Washers and Dryers

New GE Profile washers and dryers handle all clothes with utmost care, from the heaviest cottons to the finest delicates.

Excellent wash results are achieved with our new Variable speed motor, which offers up to 12 wash/spin speed combinations.

At the delicate end of the spectrum, the Ultra Handwash cycle simulates handwashing for less tumbling and more tender clothing care. It's America's Gentlest Agitation™!

Our exclusive ExtrAction tub™ also protects and prolongs the life of clothes by shortening dry times. Its unique ribbed design removes up to 24% more moisture from clothes. Shorter dry times means less clothing wear and tear.

These washers include • Fully electronic–one-touch operation • ExtrAction Tub • Power Rinse™ • Adaptive Logic System™ • PerfecTemp Plus Wash System • GentlePower™ agitator • SpotSpray • Bleach dispenser • Fabric softener dispenser • Exclusive auto balance suspension system • Presoak • Second Rinse • Extended Spin • Cycle Countdown **Note: bold = feature upgrade from previous model**

These dryers include • Fully electronic–one-touch operation • Adaptive Logic System • Sensor Dry Plus • Delicate Cycle with Extra Low temperature • Wrinkle Care • Deluxe Dryer Rack • Sensor Damp Dry option • DuraDrum™ interior • Removable upfront lint filter • Reverse-A-Door • Dryer interior light **Note: bold = feature upgrade from previous model**

Luxury



GE Profile 3.2 cu. ft. Super Capacity Plus Washer **WPSB9120B**

- Multiple wash cycles • **12 wash/spin speed combinations** • Ultra Handwash • Speed Wash • Stain Wash • Custom cycles • Bleach signal • 4 water levels • Hush Quiet Plus • Variable end-of-cycle signal • Delay start



GE Profile 3.2 cu. ft. Super Capacity Plus Washer **WHSB9000B**

- **ENERGY STAR model** • Multiple wash cycles • **10 wash/spin speed combinations** • Ultra Handwash • Speed Wash • Stain Wash • Custom cycles • Bleach signal • 4 water levels • Hush Quiet Plus • Variable end-of-cycle signal • Delay start



GE Profile 7.0 cu. ft. Super Capacity Dryer **DPSB519EB/DPSB519GB**

- Multiple drying cycles • 5 heat selections • Speed Dry • Antibacterial option • Custom cycles • Variable end-of-cycle signal • Damp Dry signal • Hush Quiet Plus • Dryel® cycle • Delay start

Washer Features



As an Energy partner, GE has determined that the WHSB9000B and WHSB8000B meet the ENERGY STAR® guidelines for energy efficiency.

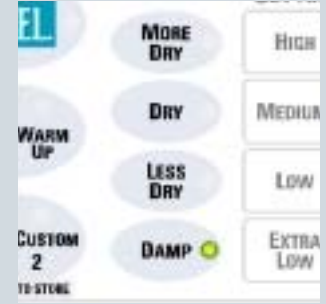


Ultra Handwash is ideal for clothes that require extra-special treatment, it simulates handwashing by starting at a low speed to loosen soil and stains, then alternating with periods of soaks.

Dryer Features



Delicate cycle protects heat-sensitive fabrics by ensuring that the average fabric temperature is 125°F.



Sensor Damp Dry option automatically stops the dryer when clothes reach a moisture content level of approximately 17%. Allowing you to hang dry selected items.

Refrigeration

Cooking Products

Luxury



GE Profile
3.2 cu. ft. Super Capacity Plus Washer
WPSB9080B

- Multiple wash cycles • 8 wash/spin speed combinations • Deluxe Handwash • 4 water levels
- Variable end-of-cycle signal • Deluxe Quiet Plus



GE Profile
6.0 cu. ft. Extra-Large Capacity Dryer
DPXB515EB/DPXB515GB

- Multiple drying cycles • 5 heat selections • Speed Dry • Custom cycle • Variable end-of-cycle signal
- Hush Quiet



GE Profile
3.2 cu. ft. Super Capacity Plus Washer
WPSB8060B

- Multiple wash cycles • 6 wash/spin speed combinations • 4 water levels • End-of-cycle signal
- Deluxe Quiet



GE Profile
3.2 cu. ft. Super Capacity Plus Washer
WHSB8000B

- ENERGY STAR model • Multiple wash cycles • 6 wash/spin speed combinations • 4 water levels
- Deluxe Quiet • End-of-cycle signal



GE Profile
7.0 cu. ft. Super Capacity Dryer
DPSB513EB/DPSB513GB

- Multiple drying cycles • 5 heat selections
- End-of-cycle signal • Deluxe Quiet

Microwave Ovens

Dishwashers

Clothes Care

Water Systems

Air Conditioning

GE® Washers and Dryers



Washer Features



Super capacity plus with 3.2 cu. ft. Now you can wash more at one time, saving you frustration, energy and money.



SpotSpray, a 7-second burst of water, allows you to pretreat a stain before adding the clothes to the wash. It's like having a sink in your washer.



The GentlePower™ agitator adapts to the clothes load, providing gentle and effective washing action.

ONLY GE HAS IT!



The Exclusive auto balance suspension system keeps the washer balanced even if the load is unbalanced.

Dryer Features



GE dryers provide custom dry cycles to gently care for your clothes.



An extra-wide opening provides easy access to our 7.0 cu. ft. of total dryer capacity.



Reverse-A-Door is the ultimate in flexibility. Change door swing to accommodate your laundry area.



Upfront lint filter is close at hand for cleaning, optimizing dryer performance.

These washers include • Exclusive auto balance suspension system • PermaTuf II™ Basket • Rotary controls • ColorLogic™ 2000
 • Quiet-By-Design™ **Note: bold = feature upgrade from previous model**

These dryers include • Rotary controls • Removable upfront lint filter • ColorLogic 2000 • Reverse-A-Door • Auto Dry
 • Quiet-By-Design **Note: bold = feature upgrade from previous model**

Best



GE
 3.2 cu. ft. Super Capacity Plus Washer
WCSE6270B
 • 6 wash/spin speed combinations • 27 wash cycles
 • 4 wash/rinse temperatures • 4 water levels
 • Handwash cycle • Quick Rinse • Extended Spin
 • Power Rinse™ • PerfecTemp

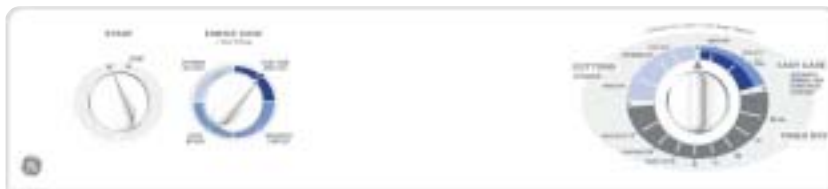


GE
 6.0 cu. ft. Extra-Large Capacity Dryer
DWXR483EB/DWXR483GB
 • 8 drying cycles • 4 heat selections • Interior dryer light
 • Variable end-of-cycle signal • Wrinkle care

Better

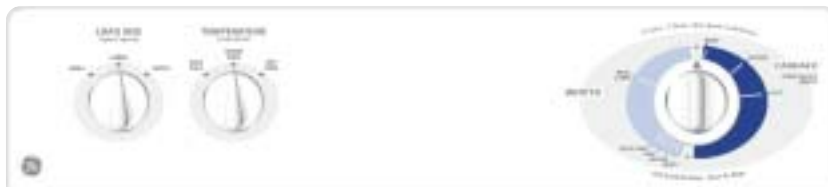


GE
 3.2 cu. ft. Super Capacity Plus Washer
WCSE4160B
 • 4 wash/spin speed combinations • 16 wash cycles
 • 3 wash/rinse temperatures • 3 water levels
 • Power Rinse

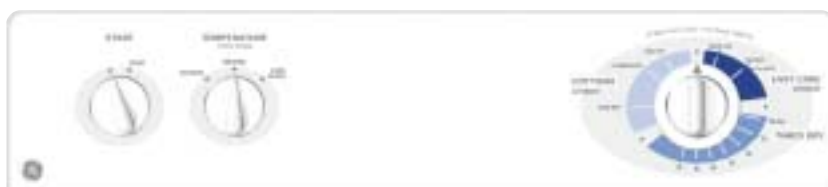


GE
 6.0 cu. ft. Extra-Large Capacity Dryer
DBXR463EB/DBXR463GB
 • 6 drying cycles • 4 heat selections
 • Interior dryer light

Good



GE
 3.2 cu. ft. Super Capacity Plus Washer
WCSR2080B
 • 2 wash/spin speed combinations • 8 wash cycles
 • 3 wash/rinse temperatures • 3 water levels



GE
 5.7 cu. ft. Extra-Large Capacity Dryer
DBL333EB/DBL333GB
 • 3 drying cycles • 3 heat selections

GE Profile™ and GE® Front-Loading Washers and Dryers

The solution to a tight situation.

The GE stackable washer and dryer pair has a unique configuration that eases its way into any situation, whether it's a hallway or a closet. And wherever it is—out of the way or out of sight—this laundry pair gives you the capacity you need to finish the laundry in minimal time.



*Built-In Installation
WPXH214A shown with DPXH46EA/DPXH46GA*



Washer Features

As an **ENERGY STAR**® partner, GE has determined that this product meets the ENERGY STAR guidelines for energy efficiency.



Automatic water fill

eliminates guesswork and water waste. Automatically adjusts to the load type by adding water. Water fill level remains below the door.



Automatic dispenser

automatically dispenses detergent, bleach and fabric softener at just the right time in the wash cycle.



Dryer Feature

Dryer rack

The sturdy dryer rack is designed to dry items such as washable sneakers and stuffed animals, and is easy to insert and remove.

*Stack Installation
WPXH214A shown with DPXH46EA/DPXH46GA
(stacking kit included with dryer)*



GE Profile
Front-Loading Washer

WPXH214A



- ENERGY STAR model • 2.7 cu. ft./3.1 IEC Extra-large capacity • High-efficiency washer
- **14 wash cycles • 7 wash/rinse temperatures** • Automatic water level adjustment
- Extra-Rinse Cycle/Auto Option • **AutoTemp • Quick Wash • ColorLogic™ 2000**
- Adjustable final spin speed • Fabric softener dispenser • Bleach dispenser • Fixed end-of-cycle signal • **Deluxe Quiet** • Available in White on white and Bisque on bisque



GE Profile
Front-Loading Dryer

DPXH46EA/GA

- 5.7 cu. ft. Extra-large capacity • Tumble drying • **Moisture Sensor** • Timed Dry cycle
- **3 Auto Dry cycles** • 4 temperature options • **2 Wrinkle Care cycles** • Dryer rack
- Fixed end-of-cycle signal • Reverse-A-Door • **ColorLogic 2000** • Available in White on white and Bisque on bisque



GE
Front-Loading Washer

WWSX208A



- ENERGY STAR model • 2.7 cu. ft./3.1 IEC Extra-large capacity • High-efficiency washer • 8 wash cycles • 4 wash/rinse temperatures • Automatic water level adjustment • Extra-Rinse Cycle/Auto Option, 3 standard rinse cycles • Fabric softener dispenser • Bleach dispenser



GE
Front-Loading Dryer

DSXH43EA/GA

- 5.7 cu. ft. Extra-large capacity • Tumble drying • Timed Dry cycle • **2 Auto Dry cycles** (Cottons, Easy Care) • 4 temperature options • End-of-cycle signal • Dryer interior light
- Reverse-A-Door • Dryer rack

Not all features available on all models. For additional features, specifications and color availability, refer to page 236.

GE Spacemaker® Portable/Stationary Washers and Dryers



Extra-large 2.7 cu. ft. stainless steel tub with lint filters.



Easily accessible detergent/fabric softener dispenser.



GE
120V Portable Topload Washer
WSLP1100A White on white or White with black controls

- 24" 2.7 cu. ft. extra-large capacity
- 1 wash/spin speed • 10 cycles • 4 wash/rinse temperatures • 4 water levels
- Load sensing • Electronic controls
- Digital countdown • Bifold lid • Bleach dispenser • Fabric softener dispenser
- Lint filters • Easy-roll rollers
- Unicouple connector quickly attaches to a faucet adaptor

120V Stationary Topload Washer
WSLS1100A White on white (not shown)



GE
240V Stationary Dryer
DSKS433EB White on white

- 3 drying cycles • 4 heat selections

WMK-35 Wall-Mount Kit
 (Available at additional cost)



DSL24A shown with WSLP1100A Washer and DSKS433EB Dryer

DSL24AW Stack Rack with Light White on white
 (Available at additional cost)

- For use with Portable or Stationary Washers and Stationary Dryer



GE
120V Portable Washer
WSKP2060W White with granite-look top

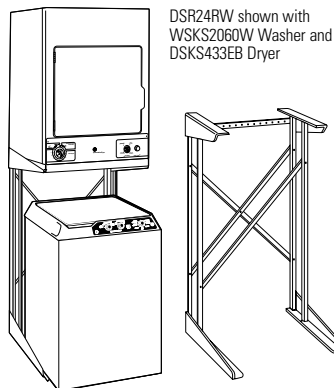
- 2 wash/spin speeds • 6 cycles
- 3 wash/rinse temperatures
- 4 water levels • Unicouple connector quickly attaches to a faucet adaptor

120V Stationary Washer
WSKS2060W (not shown)



GE
120V Portable/Stationary Dryer
DSKP233EW White with black control panel

- 3 drying cycles • 2 heat selections • 15-amp dryer cord attached



DSR24RW shown with WSKS2060W Washer and DSKS433EB Dryer

DSR24RW Stack Rack White (only)
 (Available at additional cost)

- For use with Portable or Stationary Washers and Dryers

Not all features available on all models. For additional features, specifications and color availability, refer to page 240.

Unitized GE Spacemaker® Washers and Dryers



GE
Full-Size 27" Unitized
Washer/Dryer
WSM2700W Electric
WSM2780W Gas
 White on white
 (Electric model also available
 in Bisque on bisque)
 • Extra-large capacity washer
 features 3 cycles, 3 wash
 temperature options, 3 water
 level selections • Dryer
 features Automatic Dry
 Control and has 4 cycles



GE
24" Unitized
Washer/Dryer
WSM2420T Electric
WSM2480T Gas
 White on white
 (Electric model also available
 in Bisque on bisque)
 • Washer features 3 cycles, 3 wash/
 rinse temperatures, 3 water levels
 • Dryer features Automatic Dry
 Control and has 4 cycles

Commercial Coin Front-Loading Washer and Dryer



Automatic water fill eliminates
 guesswork and water waste.
 Automatically adjusts to the load
 type by adding water. Water fill
 level remains below the door.



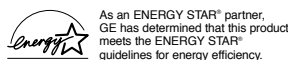
Automatic dispenser automatically
 dispenses detergent, bleach and
 fabric softener at just the right
 time in the wash cycle.



GE
Commercial Coin Front-Loading Washer
WCCH404V White
 • 2.7 cu. ft. extra-large capacity • ENERGY STAR® • 3/wash, 1/rinse
 temperatures • Automatic water level adjustment • 4 wash cycles
 (Color Cottons, Permanent Press, White Cottons, Delicates)
 • Stainless steel wash drum • Detergent dispenser • Fabric
 softener dispenser • Bleach dispenser

Commercial Coin Front-Loading Matching Dryer
DCCH43EA/GA (not shown)
 • 5.7 cu. ft. extra-large capacity • 4 dry cycles • 3 heat selections

Not all features available on all models.
 For additional features, specifications and
 color availability, refer to pages 241-242.



Commercial Smart Card Washers and Dryers

Washers



BridgePoint Smart Laundry™ card reader.



The Exclusive auto balance suspension system keeps the washer balanced even if the load is unbalanced.



GE

Commercial BridgePoint Smart Card Washer **WNCJ2050A** White

- 2.7 cu. ft. extra-large capacity • 2-speed motor • 5 wash cycles • 3 wash/spin speed combinations • 3 wash/rinse temperatures • 4 water levels • Digital countdown cycle • Color Cottons • Bright Colors • Permanent Press • White Cottons • Delicates • Quiet Package • Lid instructions • LED indicators • BridgePoint Smart Laundry™ reader • Alphanumeric display • Control card



GE

Commercial ESD Smart Card Washer **WNCK2050A** White

- 2.7 cu. ft. extra-large capacity • 2-speed motor • 5 wash cycles • 3 wash/spin speed combinations • 3 wash/rinse temperatures • 4 water levels (adj.) • Digital countdown cycle • Color Cottons • Bright Colors • Permanent Press • White Cottons • Delicates • Quiet Package • Lid instructions • LED indicators • ESD Smart Card reader • Alphanumeric display • Control card



Dryers



ESD smart card reader.



An extra-wide opening provides easy access to our 7.0 cu. ft. of total dryer capacity.



GE

Commercial BridgePoint Smart Card Dryer **DNCJ440EA/GA** White

- 7.0 cu. ft. super capacity • 4 dry cycles • 4 heat selections • Digital cycle countdown • Quiet Package • Lockable lint filter • Reverse-A-Door • LED indicators • BridgePoint Smart Laundry™ reader • Alphanumeric display • Control card



GE

Commercial ESD Smart Card Dryer **DNCK440EA/GA** White

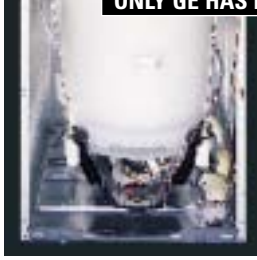
- 7.0 cu. ft. super capacity • 4 dry cycles • 4 heat selections • Digital cycle countdown • Quiet Package • Lockable lint filter • Reverse-A-Door • LED indicators • ESD Smart Card reader • Alphanumeric display • Control card



Not all features available on all models. For additional features, specifications and color availability, refer to page 242.

Commercial Washers and Dryers

ONLY GE HAS IT!



Washer is 100% front serviceable with all operational parts. Dryer is serviceable without moving the unit.



Unique upswept design provides a contemporary look and makes cleaning easy.



The GentlePower™ agitator adapts to the clothes load, providing gentle and effective washing action.



ArmorGuard protection provides a rust-resistant durable finish to the washer top and lid.

For more details and information on Commercial Laundry, see Pub. Nos. 14-S011 and 14-S021-1. For detailed exhausting information, see pages 237-239.

Not all features available on all models. For additional features, specifications and color availability, refer to pages 242-243.



GE Two-Speed Washer
WCCD2050B

- 2.7 cu. ft. extra-large capacity • 2-speed motor
- 5 wash cycles • 3 water levels (adjustable)
- 3 wash/rinse temperatures • 2 wash/spin speed combinations • Electronic cycle countback
- WLCD2050B** (not shown)
- Long cycle countdown • 31.5 minute wash cycle
- Single-Speed Washer**
- WCCB1030B** (not shown)
- 3 wash cycles • 1 wash/spin speed combination



GE Super Capacity Plus Washer
WNCD2050A

- 3.2 cu. ft. super capacity plus • 2-speed motor
- 5 wash cycles • Exclusive auto balance suspension system • 4 water levels • 3 wash/spin speed combinations • 3 wash/rinse temperatures
- Spin only • Digital cycle countdown • LED indicators for fill, wash, rinse and final spin
- Bleach dispenser • Fabric softener dispenser
- Deluxe Quiet Plus

Super Capacity Dryer
DNCD450EA/GA

- 7.0 cu. ft. super capacity • 5 dry cycles
- 4 temperatures • Air dry • Cycle countdown
- Hush Quiet package • LED indicators for door open, drying, cool down, clean lint filter • Lockable lint filters • Reverse-A-Door • Dryer interior light



GE Large Capacity Dryers
DCD330EB/GB

- 5.7 cu. ft. extra-large capacity • Electronic cycle countback • Automatic Dry Control • 3 cycles
- 3 heat selections • Upfront lint filter • 100% front serviceable • Reverse-A-Door
- DCB330EB/GB** (not shown)
- Automatic Dry Control • 3 cycles • 3 heat selections • Upfront lint filter • 100% front serviceable • Reverse-A-Door

Modular Commercial Dryer



- GE Stacked Pair**
DDC4400S Electric Dryer
DDC4500S Gas Dryer
- 5.4 cu. ft. large capacity
 - 3 cycles • 3 heat selections • Stacked pair
 - "ON" indicator light
 - 100% front serviceable
 - Shipped preassembled

Refrigeration

Cooking Products

Microwave Ovens

Dishwashers

Clothes Care

Water Systems

Air Conditioning

Better water for drinking,
cooking, and cleaning.

Water

is as vital to our survival and
overall well-being as the air we breathe.

So, it's no wonder that **clean** water is

consistently ranked as one of the most

important **lifestyle factors** in the U.S.

As America's number one appliance brand*,

GE understands today's **lifestyle needs**.

That's why we offer SmartWater™ filtration and

softening systems. Together, these systems

provide **healthy** water, **brighter**

laundry, **cleaner** dishes and more efficient

appliances. Install SmartWater systems and you

can improve the **quality** of every drop

of **water** in your home.

*GE is the appliance brand most often mentioned among
the brands rated as offering the best products and
services in America. Source: Louis Harris Poll, 2000



Healthy water

You practice good health when you
drink up to eight glasses of water a
day. You practice great health when
the water you drink is filtered.



Better tasting water

Filtered water tastes better,
whether it's straight from the tap or in
beverages like coffee, tea, and juice.



Great for cooking

Cooking with filtered water
enhances the flavor of foods,
making them more appetizing.



Softer water

Soft water leaves your skin feeling
softer. Laundry and clothes look
cleaner. And, it makes your home
easier to clean.

GE SmartWater™ Softening Systems

Refrigeration

Cooking Products

Microwave Ovens

Dishwashers

Clothes Care

Water Systems

Air Conditioning

Choosing the right water softener will let you see a difference in your home.

Softened water is good for you and your home. Not only will you notice how much better softened water feels on your skin, but you'll also notice differences in your home. Soft water will get your dishes cleaner, make your laundry softer and brighter while using less detergent, and help your showers, sinks and tubs stay cleaner longer. With a high-efficiency GE SmartWater softener, you can be assured that you will only be using enough salt and water to meet your demands, and no more. Whichever GE SmartWater softener you choose, you'll notice immediate improvements throughout the home!

These models include

Note: bold = feature upgrade from previous model

Large 200-pound salt storage helps reduce the need for frequent salt replacement.

Ultra high-efficiency resin uses less salt and less water to provide the highest performance and save the most money.

Flexible demand-initiated regeneration system assures there's always soft water when you need it. Because the softener actually "learns" your families water usage patterns.

Status indicator light signals when attention is needed.

Extra-wide opening allows easier loading of salt.

24-volt electronic system is easy to install and maintain.



GE GNSH45E

- 45,000-grain super capacity assures an ample supply of soft water for higher hardness areas or large families.
- Advanced electronic water management system: Displays "days to empty," eliminating the guesswork for salt replacement, salt monitor remembers the salt level and lets you know when it's time to refill.
- System monitor displays capacity remaining before the next regeneration, average daily gallons used and flow rate.
- High-flow 1"-valve maximizes flow and minimizes pressure drop for homes with large plumbing or higher demand.
- Clear water iron removal removes up to 10 ppm.

GXSH39E

- 39,000-grain extra-large capacity assures an ample supply of soft water and accommodates future lifestyle changes.
- Advanced electronic water management system: Displays "days to empty," eliminating the guesswork for salt replacement, salt monitor remembers the salt level and lets you know when it's time to refill.
- High-flow 1"-valve maximizes flow and minimizes pressure drop for homes with large plumbing or higher demand.
- Clear water iron removal removes up to 8 ppm.

GXSF27E

- 27,000-grain large capacity helps assure an ample supply of soft water for most moderate use situations.
- Clear water iron removal removes up to 4 ppm.
- Standard-flow 3/4" valve allows simple installation.



Towels are 45% whiter using 1/3 less detergent. Clothes are softer, cleaner and last longer.



Dishes are cleaner, with less soap and hard water spotting.

Not all features available on all models. For additional features, specifications and color availability, refer to page 245.



Models GNSH45E and GXSH39E



Model GXSF27E



GE Exclusive "Days to empty" feature.

What type of drinking water filtration should you choose?

If you're one of the many Americans concerned about water quality, you should consider a SmartWater system. Our premium filtration Reverse Osmosis system and Carbon Filtration system help reduce contaminants such as lead, cysts, and some chemicals, and remove unpleasant tastes and odors. And no matter which system you choose, you'll find several options for easy installation.

Reverse Osmosis System

GE's best filtration process provides dual carbon filtration with Reverse Osmosis technology. This process can be found in all premium filtration units which reduce up to 99% of contaminants.

Carbon Filtration System

Our most popular filtration systems use precarbon and postcarbon (dual stage) filters to improve water quality. Easy to install and maintain, these systems offer a wide variety of filter options to reduce contaminants.

Monitored Premium Drinking Water Filtration: Reverse Osmosis

These models include

Note: bold = feature upgrade from previous model

GE's best filtration process reduces up to 99%* of the elements shown in the table below:

Reduces		
<i>Arsenic</i>	<i>Chromium</i>	<i>Lead</i>
<i>Mercury</i>	<i>Cysts</i>	<i>Sodium</i>
<i>Sulfate</i>	<i>Ammonia</i>	<i>Nitrate/Nitrite</i>
<i>Tannins</i>	<i>Copper</i>	<i>Magnesium</i>
<i>Chlorine</i>	<i>Taste & Odor</i>	<i>Sediment</i>
<i>Rust</i>	And More!	

The SmartWater faucet with electronic monitor clearly indicates when filters and membrane need replacing. Designed to work with a primary faucet, the SmartWater faucet is used only when filtered water is needed, extending filter life. Batteries are included.



Certified by NSF, the most highly recognized independent testing institution in the water treatment industry. NSF inspects, tests and certifies our product performance.

*Elements reduced are not necessarily present in your water. See product specification sheet, packed with product, for specific elements reduced by model, or call the GE Answer Center® toll-free, 800.626.2000.

**As tested and validated by the Water Quality Association using Standard S-300.

Note: Depends on water pressure, temperature and total dissolved solids.

SmartWater only sold through authorized distributors.

Not all features available on all models.

For additional features, specifications and color availability, refer to pages 244-245.



GE Profile™

PNRV18ZWW

White on white faucet and monitor
 • Super capacity provides up to 18 gallons** of high-quality filtered water per day.

• All-in-one system needs less space for installation than conventional models.

• Installation flexibility allows the system to be installed vertically or horizontally under a counter, in the basement, or in any other convenient location.

• Designer-style faucet allows you to customize the faucet color to complement your kitchen.

PNRV18ZCC (not shown)

• Bisque on bisque faucet and monitor

PNRV18ZBB (not shown)

• Black on black faucet and monitor

PNRV18ZWH (not shown)

• Chrome on white faucet and monitor

PNRV18ZBL (not shown)

• Chrome on black faucet and monitor



GE Profile

PNRV12ZBL

Chrome on black faucet and monitor
 • Extra-large capacity provides up to 12 gallons** of high-quality filtered water per day.

• Simple installation means system can be installed easily under a counter, in a basement, or other convenient location.



System includes tank and long-reach faucet with monitor.

Premium Drinking Water Filtration: Reverse Osmosis

This model includes

Note: bold = feature upgrade from previous model

GE's best filtration process reduces up to 99%* of the elements shown in the table below.

Reduces		
<i>Arsenic</i>	<i>Chromium</i>	<i>Lead</i>
<i>Mercury</i>	<i>Cysts</i>	<i>Sodium</i>
<i>Sulfate</i>	<i>Ammonia</i>	<i>Nitrate/Nitrite</i>
<i>Tannins</i>	<i>Copper</i>	<i>Magnesium</i>
<i>Chlorine</i>	<i>Taste & Odor</i>	<i>Sediment</i>
<i>Rust</i>	And More!	

SmartWater™ faucet is designed to work with a primary faucet. This short-reach, chrome on black faucet is used only when filtered water is needed, extending filter life.



Certified by NSF, the most highly recognized, independent testing institution in the water treatment industry. NSF inspects, tests and certifies our product performance.



GE

GXRV10ABL

Chrome on black faucet

- Large capacity provides up to 10 gallons** of high-quality filtered water per day.
- Simple installation means system can be installed easily under a counter, in a basement, or other convenient location.



System includes tank and short-reach faucet.

Undersink Dual Stage Carbon Drinking Water Filtration

These models include

Note: bold = feature upgrade from previous model

SmartWater faucet is designed to work with a primary faucet. This long-reach, chrome on black faucet is used only when filtered water is needed, extending filter life.



System rated for 600 gallons of water.

Simple installation means the system can be installed easily under a counter, in a basement, or other convenient location.



Certified by NSF, the most highly recognized, independent testing institution in the water treatment industry. NSF inspects, tests and certifies our product performance.



Reduces

<i>Chemicals/VOC</i>	<i>Lead</i>	<i>Cysts</i>
<i>Asbestos</i>	<i>Mercury</i>	<i>Chlorine</i>
<i>Taste & Odor</i>	<i>Sediment</i>	<i>Rust</i>

GE

GNSV30C/GNSV25C

- **Chemical/VOC lead and cyst reduction filters included (FXSVC dual pack)**

Customize your faucet to match your kitchen with a choice of faucet colors.



GNSV30CWW
White on white



GNSV30CCC
Bisque on bisque



Reduces

<i>Lead</i>	<i>Cysts</i>	<i>Asbestos</i>
<i>Mercury</i>	<i>Chlorine</i>	<i>Taste & Odor</i>
<i>Sediment</i>	<i>Rust</i>	<i>Atrazine</i>

GE

GNSL05C

- Lead and cyst reduction filters included (FXSLC dual pack)



GE

GN1S15CBL

- Short-reach faucet without monitor also available

*Elements reduced are not necessarily present in your water. See product specification sheet, packed with product, for specific elements reduced by model, or call the GE Answer Center® toll-free, 800.626.2000.

**As tested and validated by the Water Quality Association using Standard S-300.

Note: Depends on water pressure, temperature and total dissolved solids.

SmartWater only sold through authorized distributors.

Not all features available on all models.

For additional features, specifications and color availability, refer to pages 244-245.

Comforting Solutions



Selecting a GE air conditioner

is not only good for the occupant and guests,

it's a decision that will leave you resting

comfortably as well. You can't go wrong with any

of our units, from our newest **Vertical**

Zonline® that allows any room to have

a more **homelike appearance** to

our traditional Zonline packaged terminal air

conditioners and built-in models. All GE room

air conditioners are engineered to give many

years of **dependable** service with a full

complement of standard features and a variety

of exclusive GE features. They're designed

for **hassle-free** installation and

easy maintenance.

Vertical Zonline®

GE's new vertical packaged terminal air conditioners offer all the benefits of a traditional PTAC system with the aesthetics and versatility of central air.



Zonline®

Versatile Zonline Packaged Terminal Air Conditioners are ideal for hotels and motels, office buildings, schools and apartments.



Built-In

GE built-in air conditioners are designed for high energy efficiency with EER ratings as high as 9.5 for Heat/Cool models and 9.2 for Heat Pump models.





GE has room air conditioners for every room in the home.

Refrigeration

Cooking Products

Microwave Ovens

Dishwashers

Clothes Care

Water Systems

Air Conditioning

GE Vertical Packaged Terminal Air Conditioners



Exclusive GE Features:

- Unique sleeve design makes units easier to install.
- Three-way, slide-out chassis with specially designed case makes maintenance and service quick and easy.
- Electronic Temperature Limiting prevents expensive overheating and overcooling (requires RAVRMS accessory).

Standard Features Include:

- Freeze Sentinel™ guards against freeze damage in unoccupied rooms (requires RAVRMS accessory).
- Central Desk Control capability can reduce operating costs.
- Full Corrosion Treatment on outside coils and other components is standard.
- Ideal for hotels, motels, office buildings, schools and apartments.
- Vertical design to optimize floor space.
- Unit is concealed in a closet with exterior wall, no need to decorate around wall-mounted unit.
- Room appears much more homelike due to the ducted unit.
- Single unit can be used to cool multiple rooms.
- Each unit controlled by a remote wall thermostat.
- Quiet operation further muffled by surrounding walls with insulation and drywall.

All Zoneline Vertical and Packaged Terminal Air Conditioners are compatible with GE wall-mounted thermostats for remote operation.



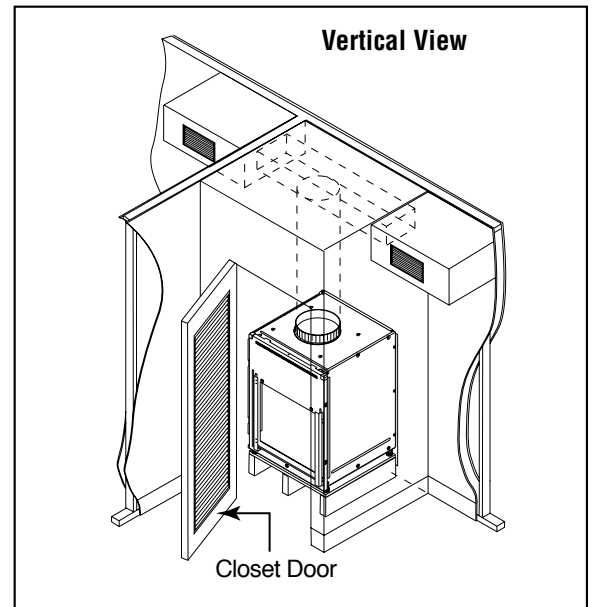
Accessories

Model #	Description	Size
RAVAL1	Exterior Grille	19 3/4" W x 32" H
RAVRG1	Access Panel (in lieu of door)	28" W x 48" H Cutout
RAVRG2	Return Air Grille	20 3/8" W x 20 3/8" H Cutout
RAVRMS	Freeze Sentinel/Temperature Limiting Room Air Sensor	
RAK163D1	Solid State Digital Manual Changeover Thermostat (5 connection wires required)	
RAK163P1	Solid State Digital Programmable Auto Changeover Thermostat (5 connection wires required)	
RAK163P2*	Solid State Digital Programmable Auto Changeover Thermostat (5 connection wire required) Temperature Limiting and Freeze Sentinel™	
RAK147D1	Solid State Digital Manual Changeover Thermostat (6 connection wires required)	
RAK147P1	Solid State Digital Programmable Auto Changeover Thermostat (6 connection wires required)	
RAK147P2*	Solid State Digital Programmable Auto Changeover Thermostat (6 connection wire required) Temperature Limiting and Freeze Sentinel™	
RAVWP6	Plenum (up to 6" Wall Thickness)	19-3/4" W x 32" H
RAVWP8	Plenum (up to 8" Wall Thickness)	19 3/4" W x 32" H
RAVWP12	Plenum (up to 12" Wall Thickness)	19 3/4" W x 32" H
RAVWP15	Plenum (up to 15" Wall Thickness)	19 3/4" W x 32" H

*Available second quarter, 2002.

Not all features available on all models.

For additional features, specifications and color availability, refer to page 246.



Minimal Clearances:

- Front: Allow 4 inches in front of unit. When determining closet depth, note that Plenum may protrude into closet up to 4 inches, depending on wall depth.
- Sides: Allow 3 inches on each side of unit.
- For side access closets only: Allow 5 inches on the side where access is required.
- Platform. Note: an 8" - 12" high, field-supplied platform is recommended for drain access.

Zoneline®: Heat Pump and Heat/Cool Models



Versatile Zoneline units provide year-round comfort with individual heating and cooling temperature control for economy and convenience.

Designed to blend with most architectural styles and interior decors, Zoneline units are adaptable to a wide variety of applications, including hotels and motels, office buildings, schools and apartments. Zoneline's design and easy installation also make it ideal for remodeling and room additions.

The two-tier Zoneline lines, Deluxe and Premium, offer a wide selection of features, heating and cooling capacities, and voltages to meet each zonal application. All Zonelines come with microcomputer controls, each with its own special features. Whether it's the Deluxe line with solid-state controls, high efficiency, and deluxe features, or the Premium line with higher efficiencies and sophisticated features, Zoneline quality and ease of maintenance will serve its owner or users well for years to come.

Resistance Heat Models

GE Zoneline packaged terminal units with resistance heat are especially suited for installations where heating demands are moderate.

Heat Pump Models

Zoneline units with heat pump operation offer economical year-round comfort for zonal comfort conditioning, for most temperatures. Heating is provided by a high efficiency heat pump. The heat pump operation is backed up with resistance heat for those times when outdoor temperatures fall below the heat pump capacity.

Deluxe Line

The Deluxe Line is a high efficiency, two fan motors, microcomputer controlled line of cooling with resistance heat, and cooling with heat pump operation and resistance heat back up. Energy savings, plus standard features make these units an excellent value.

Dry Air 25

The Dry Air 25 Series centers around GE's exclusive use of the patented Dinh® Dehumidifier Heat Pipe from Heat Pipe Technology, Inc. This innovative NASA spin-off technology enables the Dry Air 25 to remove 25% more moisture from the air than the standard unit. The Dry Air 25 is perfect for high-humidity climates. Available on 7000, 9000 and 12,000 BTU Resistance Heat models.

Note: Use of drain kit RAD10 is recommended.

Premium Line

The Premium Line features high efficiency, two fan motors, full featured, microcomputer controlled line, cooling with heat pump and resistance heat back up. The microprocessor, with solid state sensors, offers a variety of features for energy savings and reliable operation.

Easy Installation

Zoneline models are designed for easy installation, whether in new construction, renovation or for replacement of old units. Unless specified by code, they require no sub-base and may be installed flush with the finished floor.

All models are adaptable to remote and central desk control. Zoneline units may even be placed in unusual locations, such as transom or common area installations.

Compatibility with existing Zoneline wall cases simplifies retrofit installations. A new chassis simply slides into the already installed wall case. A new matching rear grille should be used.

And the exclusive, Quick Connect power supply kit for Premium Line models, allows the unit to be installed on various amperage circuits.

2500 Series Deluxe Resistance Heat Standard Microcomputer Controls



Dry Air 25 Series Deluxe Resistance Heat Standard Microcomputer Controls



3500 Series Deluxe Heat Pumps Standard Microcomputer Controls



5500 Series Premium Heat Pumps Highly-Featured Microcomputer Controls



Not all features available on all models. For additional features, specifications and color availability, refer to pages 246-248.

Zonline®: Heat Pump and Heat/Cool Models (cont.)



(Premium Line Chassis Shown)

Features	Resistance Heat		Heat Pump	
	Deluxe 2500 Series	Deluxe Dry Air 25	Deluxe 3500 Series	Premium 5500 Series
Standard Microcomputer Controls	Standard	Standard	Standard	—
Highly Featured Microcomputer Controls	—	—	—	Standard
Rotary Control Knobs	Standard	Standard	Standard	—
Tactile Touch Pad Controls with LED	—	—	—	Standard
Universal Heaters/Power Connection Kit	—	—	—	Standard
Solid State Thermostat	Standard	Standard	Standard	Standard
Concealed Manual Vent Control	Standard	Standard	Standard	Standard
Upfront Filter	Standard	Standard	Standard	Standard
Automatic Indoor Frost Control	Standard	Standard	Standard	Standard
Corrosion Treated Chassis	Optional	Standard	Optional	N/A
2 Position Discharge Grille	Standard	Standard	Standard	Standard
Fan Motors	2	2	2	2
Fan Cycle Switch	Standard	Standard	Standard	Standard
Fan Only Setting - 2 Speed	Standard	Standard	Standard	Standard
Indoor Fan Speed	Hi/Auto	Hi/Auto	Hi/Auto	Hi/Low/Auto
Staged Heating	—	—	—	Standard
Freeze Sentinel™	Standard	Standard	Standard	Standard
Temperature Limiting	Electronic 7 Step	Electronic 7 Step	Electronic 7 Step	Electronic 7 Step
Remote Control Compatibility (Requires RAKOIM)	Standard	Standard	Standard	Standard
Central Desk Control Compatibility	Standard	Standard	Standard	Standard
Service Indicator LED	—	—	—	Standard
Heat Pump with resistance heat back-up	—	—	Standard	Standard
Heat Pump with supplemental resistance heat	—	—	—	Standard
Automatic Emergency heat	—	—	Standard	Standard
Electric Resistance heat lock-out	—	—	—	Standard
Heat Pump Defrost system	—	—	Passive	Reverse Cycle
Internal Condensate Removal (ICR)	—	—	Optional	Optional
Quick Heat Recovery	—	—	Standard	Standard
Self-Diagnostics	—	—	—	Standard
Auto Power Recovery	Standard	Standard	Standard	Standard



Not all features available on all models.
For additional features, specifications and color availability, refer to pages 246-248.

The Newest Innovation From GE:

The Dry Air 25

The Dry Air 25 features innovative technology from HPT, an addition which enables this unit to remove 25% more moisture from the air than standard models. The Dry Air 25 system, Heat Pipe, is a hermetically sealed heat transfer surface that is saddle-bagged around the indoor coil (evaporator) of the Zonline. This coil arrangement will transfer heat from one coil to another without power consumption. This assembly uses R-22 as the refrigerant and is isolated from the regular Zonline refrigerant circuit.

As warm humid air is pulled through the pre-cool section of the Heat Pipe, the heat removed from the air is absorbed by the refrigerant, causing the refrigerant to boil. As the pre-cooled air passes through the Zonline evaporator, the air is further cooled (colder than it would be normally), removing 25% more moisture than standards units.

As the cold air passes through the re-heat section of the Heat Pipe, the refrigerant condenses and the liquid flows back to the pre-cool section to be re-heated again. The air discharged into the room by this process is much drier, creating a more comfortable room condition.

All Zonline Units Feature Superseal

Air leakage into living space wastes energy and creates an uncomfortable environment. All Zonline units meet the rigid air infiltration specifications of ASTM E283-91 which requires 7 CFM infiltration or less with a 25 mile per hour wind velocity. With optional ICR the specification is 10 CFM.

Water infiltration into a room could cause serious structural or furnishing damage.

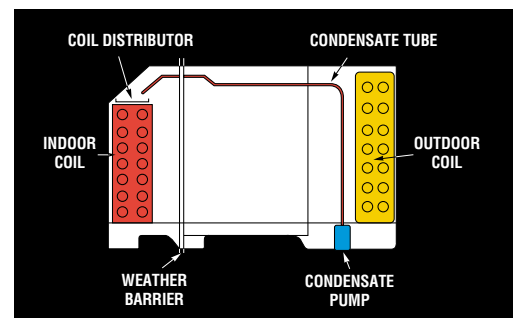
All Zonline units are tested to ASTM E331-86 specifications which require no water infiltration when exposed to 8" per hour rainfall at 63 miles per hour wind velocity for 15 minutes. Superseal means room comfort and energy saving.

Special Corrosion Protected Units

To help extend the life of the Zonline in seacoast areas, some Deluxe Zonelines may be ordered with a special corrosion protection treatment on outdoor components and use stainless steel hardware. Zonelines with optional Corrosion Protection have a 'C' in the 10th character of the model number.

Internal Condensate Removal

Available on the 3500 and 5500 heat pumps, this feature drips the heat pump condensate over the warm indoor coil to help dissipate water from heat pump operation and associated defrost cycles. The installation of an internal or external drain system is recommended if no dripping of condensate to the outdoors is desired. ICR must not be installed in seacoast or corrosive applications.



Built-In “J” Series: Regular Mount Chassis Only Models

These models include • Variable setting thermostat • Fan Cycle switch • Four-way air direction
 • Up-front, washable air filter • “Fan Only” setting for air circulation



E.E.R. (Energy Efficiency Ratio) shown on the tag of each new unit, compares the air conditioner’s cooling output with the electricity it requires for power. The higher the E.E.R. number, the more efficient the unit, and the less costly to operate.

Fan Cycle Switch helps reduce power consumption and operating costs.



Cool Only Units

Offer a variety of capacities to cool many applications.

Heat/Cool Units

Provide a variety of capacities for summer cooling, plus supplemental heat for cold weather—units combine air conditioning with electric resistance heat.

Heat Pump Units

Heat pump units offer efficient summer cooling with reverse cycle heating and back-up resistance heat for cold weather.

Units include attractive room-side grille of high-impact polystyrene. These units are chassis-only models and require a separately purchased solid-sided wall case (RAB46, RAB47 or RAB48) and exterior grille (RAG13 or RAG14E) for installation.



Cool Only Units

Models	BTUH Cooling	Volts	EER	BTUH Electric Resistance Heating	Wall Case
AJCS06LCA	6000	115	9.5	–	RAB46/47/48
AJCS08ACA	8000	115	9.2	–	RAB46/47/48
AJCS10ACA	9900	115	9.2	–	RAB46/47/48
AJCS09DCA	8900/8700	230/208	9.5/9.5	–	RAB46/47/48
AJCS10DCA	9900/9700	230/208	9.2/9.2	–	RAB46/47/48
AJCS12DCA	11,600/11,400	230/208	9.0/9.0	–	RAB46/47/48



Heat/Cool Units

Models	BTUH Cooling	Volts	EER	BTUH Electric Resistance Heating	Wall Case
AJES09DCA	8900/8700	230/208	9.5/9.5	11,600/9,480	RAB46/47/48
AJES10DCA	9900/9700	230/208	9.2/9.2	11,600/9,480	RAB46/47/48
AJES12DCA	11,600/11,400	230/208	9.0/9.0	11,600/9,480	RAB46/47/48



Heat Pump Units

Models	BTUH Cooling	Volts	EER	BTUH Electric Resistance Heating	BTUH Reverse Cycle Heating†	Wall Case
AJHS08DCA*	8000/7800	230/208	9.2/9.2	11,600/9,480	7700/7500	RAB46/47/48
AJHS10DCA*	9800/9600	230/208	9.2/9.2	11,600/9,480	9700/9500	RAB46/47/48

*Model includes two-stage heating thermostat.
 †At 47°F.

Note: If any “J” Series unit is a replacement unit the existing rear grille should be replaced for better performance with either stamped aluminum (RAG13) grille or architectural louvered extruded aluminum (RAG14E).

Not all features available on all models. For additional features, specifications and color availability, refer to page 249.

Built-In “J” Series: High-Mount Chassis Only Models

These models include • Variable setting thermostat
• Fan Cycle switch • Four-way air direction • Up-front, washable air filter • Multiple fan speeds



For high-mount installations where control accessibility is difficult, GE offers five “J” Series models with controls located in the lower corner of the room-side cabinet. There are two 115V and two 230V cooling only models, and one 230V model with electric heat.

Units include attractive room-side grille of high-impact polystyrene. Each unit requires a solid-sided wall case (RAB46, RAB47 or RAB48) and exterior grille (RAG13 or RAG14E) for installation.

Cool Only Units



Models	BTUH Cooling	Volts	EER	BTUH Electric Resistance Heating	Wall Case
AJCH08ACA	8000	115	9.2	–	RAB46/47/48
AJCH10ACA	9900	115	9.2	–	RAB46/47/48
AJCH10DCA	9900/9700	230/208	9.2/9.2	–	RAB46/47/48
AJCH12DCA	11,600/11,400	230/208	9.0/9.0	–	RAB46/47/48

Heat/Cool Unit



Model	BTUH Cooling	Volts	EER	BTUH Electric Resistance Heating	Wall Case
AJEH12DCA	11,600/11,400	230/208	9.0/9.0	11,600/9,480	RAB46/47/48

Built-In “J” Series: Window/Wall Mount Models

These models include • Multiple Cooling/Heating speeds • Vent/Exhaust • Multi-position thermostat
• Fan Cycle switch • Easy access filter • Slide-out chassis • EZ Mount window kit (for Cooling Only models)



For convenience and efficiency, GE offers a unique line of units that provide cooling only, cooling with electric heat, and cooling with heat pumps, for use in window or through-the-wall application.

All units include solid-sided sleeve with a slide-out chassis.

Heat/Cool Units

Models	BTU	EER	Volts	Cools (sq. ft.)	Heater Wattage
AJES06LSA	6,000	9.5	115	170-210	1.2 (kw)
AJES08ASA	8,000	9.2	115	250-350	1.2 (kw)
AJES10DSA	9,900/9,700	9.2/9.2	230/208	425-525	3.4/2.8 (kw)

Heat Pump Unit

Model	BTU	EER	Volts	Cools (sq. ft.)	Heater Wattage
AJHS08ASA	8,000	9.2	115	250-350	1.2 (kw)

Cooling Only Units

Models	BTU	EER	Volts	Cools (sq. ft.)
AJCS06LZA	6,000	9.5	115	170-210
AJCS08AZA	8,000	9.2	115	250-350
AJCS10AZA	9,900	9.2	115	425-525



Cooling Only



Heat/Cool, Heat Pump

Not all features available on all models.

For additional features, specifications and color availability, refer to pages 249-250.

Instant Dimensional & Installation Information

From the speed of a touchtone phone, order installation information to be delivered through your fax machine.



1-800-432-3729

This automated fax-on-demand system provides a quick reference to product dimensions for Monogram®, GE Profile™, GE® and Hotpoint® appliances.

- **Touchtone Activated**
Simply follow the voice prompts to make your selection from any touchtone phone.
- **Model Specific Installation Dimensions**
Select accurate installation dimensions by individual model numbers for virtually every model. Make your selection from the List of Available Documents (available by fax from GE QuickSpecs). Select up to 15 documents per call.
- **Feature and Appearances**
Feature information and product illustrations are included for most models.
- **Fax Information to Any Fax Telephone Number**
Once you make your selection, you will be asked to enter the fax telephone number where you wish your request to be faxed (your office, job site, customer). It will be faxed to the specified fax number within 15 minutes.
- **Available 24 Hours a Day, 7 Days a Week**

Specifications And Installation Information

Contents

Warranty Information.....	162-165
Refrigerators	
CustomStyle™ Side-By-Side Refrigerators.....	167-169
Side-By-Side Refrigerators.....	166, 170-171
Top-Freezer No-Frost Refrigerators.....	172, 175-176
CustomStyle™ Top-Freezer Refrigerators.....	173-174
Cycle and Manual Defrost Refrigerators.....	177
Bottom-Freezer Refrigerators.....	178
Wine Cooler.....	179
Spacemaker™ Compact Refrigerators.....	179
Chest and Upright Freezers.....	180
Optional Refrigerator Panels and Trim Kits.....	181
Cooking Products	
Advantium™ Ovens.....	182-183
30" Built-In Double Ovens.....	184-185
30" Built-In Single Ovens.....	186-187
27" and 24" Built-In Double Ovens.....	188-189
27" and 24" Built-In Single Ovens.....	190-191
24" Built-In Gas Ovens.....	192
30" and 27" Warming Drawers.....	193
Built-In CleanDesign Cooktops.....	194
Built-In Electric Cooktops.....	195
Built-In Downdraft Cooktops.....	196-197
Built-In Gas Cooktops.....	198
Downdraft Gas Cooktop.....	199
Select-Top™ Modular Downdraft Cooktops and Patio Grill.....	200-201
Built-In Downdraft Gas Modular Cooktops.....	201
30" Slide-In Electric Ranges.....	202-203
30" Slide-In Gas Ranges.....	204-205
30" Slide-In Downdraft Ranges.....	205
30" Drop-In Electric Ranges.....	206-207
Spacemaker™ 27" Drop-In Electric Ranges.....	208
30" Free-Standing CleanDesign Electric Ranges.....	209
30" Free-Standing QuickClean™ Electric Ranges.....	210-211
40" Electric Ranges.....	211
30" Free-Standing Gas Ranges.....	212-214
36" and 30" Designer Hoods.....	215
Slide-Out Hoods.....	216
Telescopic Downdraft Systems.....	217
High-Performance, Performance, Deluxe and Standard Hoods.....	218
Microwave Ovens	
Spacemaker® Convection/Microwave Ovens.....	219
Spacemaker® Microwave Ovens.....	220
Convection/Microwave Wall Ovens.....	221
Countertop Microwave Ovens.....	222
Spacemaker II™ Microwave Ovens.....	223
Compact Microwave Ovens.....	223
Countertop Microwave Optional Oven Trim Kits.....	224
Dishwashers	
Built-In Dishwashers.....	225-228
Convertible and 18" Built-In Dishwashers.....	229
Undersink Dishwashers.....	230
Dishwasher Accessories.....	231
Disposers and Compactors.....	232
Clothes Care	
Washers.....	233
Dryers.....	234-235
Front-Loading Washer and Dryer.....	236
Dryer Exhausting and Installation Information.....	237-239
Spacemaker® Washers and Dryers.....	240-241
Commercial Washers and Dryers.....	241-243
Water Systems	244-245
Air Conditioning	
Vertical Packaged Terminal Air Conditioning.....	246
Zoneline®.....	246-248
Built-In "J" Series Units and Heat Pumps.....	249
Heat/Cool and Window/Built-In "J" Series Units and Heat Pumps.....	250
Nomenclatures.....	251-255

Warranty Information*

The condensed list below is a convenient overview of the written warranties offered on various GE appliances described in this catalog. For complete warranty details on a specific GE appliance model, contact your nearest GE supplier, or call GE Factory Service, toll-free, 800-GE-CARES (800-432-2737).

Refrigerators (All models except GMR02BAN, GMR04BAN, GMR06AAM, GWR03AAM)

For The Period Of	GE Will Replace
One Year From the date of the original purchase	Any part in the refrigerator which fails due to a defect in materials or workmanship. During this full one-year warranty , GE will provide, free of charge , all labor and related service costs to replace the defective part.
Five Years From the date of the original purchase	Any part of the sealed refrigerating system (the compressor, condenser, evaporator and all connecting tubing) which fails due to a defect in materials or workmanship. During this full five-year sealed refrigerating system warranty , GE will also provide, free of charge , all labor and related service costs to replace the defective part.

Refrigerators and Wine Chillers

(Models GMR02BAN, GMR04BAN, GMR06AAM, GWR03AAM)

For The Period Of	GE Will Replace
One Year From the date of the original purchase	Any part in the refrigerator which fails due to a defect in materials or workmanship. During this limited one-year warranty , you will be responsible for any labor and related service costs.
Second through Fifth Year From the date of the original purchase	Compressor , if the compressor should fail due to a defect in materials or workmanship. During this additional four-year limited warranty , you will be responsible for any labor and related service costs.

Freezers

For The Period Of	GE Will Replace
One Year From the date of the original purchase	Any part in the freezer which fails due to a defect in materials or workmanship. During this full one-year warranty , GE will also provide, free of charge , all labor and related service costs to replace the defective part.
Five Years From the date of the original purchase	Any part of the sealed refrigerating system (the compressor, condenser, evaporator and all connecting tubing) which fails due to a defect in materials or workmanship. During this full five-year warranty , GE will also provide, free of charge , all labor and related service costs to replace the defective part.
One Year/ Five Years From the date of the original purchase	Food , for one-year on spoilage due to a defect in any materials or workmanship and for five years on spoilage due to a defect in materials or workmanship in the sealed refrigerating system. Under this limited warranty , a cumulative limit of \$100 for 14.9 cu. ft. and smaller, and \$150 for 15.0 cu. ft. and larger.

Icemakers

For The Period Of	GE Will Replace
One Year From the date of the original purchase	Any part in the icemaker which fails due to a defect in materials or workmanship. During this full one-year warranty , GE will provide, free of charge , all labor and related service costs to replace the defective part.

Water Filter

For The Period Of	GE Will Replace
30 Days From the date of the original purchase	Any part of the water filter cartridge which fails due to a defect in materials or workmanship. During this limited 30-day warranty , you will be responsible for any labor and related service costs.

Advantium Oven

(Models SCA2001BSS, SCA2000BWW/CC/BB, SCB2001CSS, SCB2000CWW/CC/BB)

For The Period Of	GE Will Replace
One Year From the date of the original purchase	Any part of the oven which fails due to a defect in materials or workmanship. During this full one-year warranty , GE will provide, free of charge , all labor and related service costs to replace the defective part.
Ten Years From the date of the original purchase	Halogen Speedcook Lamps , if the halogen lamps fail due to a defect in materials or workmanship. During this full ten-year warranty , GE will provide, free of charge , all labor and related service costs to replace the defective part.
Second through Tenth Year From the date of the original purchase	Magnetron Tube , if the magnetron tube should fail due to a defect in materials or workmanship. During this additional nine-year limited warranty , you will be responsible for any labor and related service costs.

Advantium Oven (Models SCA1001FSS, SCA1000DWW/CC/BB)

For The Period Of	GE Will Replace
One Year From the date of the original purchase	Any part of the oven which fails due to a defect in materials or workmanship. During this full one-year warranty , GE will provide, free of charge , all labor and related service costs to replace the defective part.
Three Years From the date of the original purchase	Heating System , if any heater or lamp fails due to a defect in materials or workmanship. During this full three-year warranty , GE will provide, free of charge , all labor and related service costs to replace the defective part.
Second through Tenth Year From the date of the original purchase	Magnetron Tube , if the magnetron tube should fail due to a defect in materials or workmanship. During this additional nine-year limited warranty , you will be responsible for any labor and related service costs.

Ranges/Cooktops/Built-In Ovens/Warming Drawers/Hoods

(Excluding CleanDesign Ranges and Cooktops)

For The Period Of	GE Will Replace
One Year From the date of the original purchase	Any part in the cooking product which fails due to a defect in materials or workmanship. During this full one-year warranty , GE will provide, free of charge , all labor and related service costs to replace the defective part.

Ranges (CleanDesign)

For The Period Of	GE Will Replace
One Year From the date of the original purchase	Any part in the cooking product which fails due to a defect in materials or workmanship. During this full one-year warranty , GE will provide, free of charge , all labor and related service costs to replace the defective part.
Second through Fifth Year From the date of the original purchase.	Glass Cooktop, Radiant Surface Units , if the glass cooktop should crack due to thermal shock, discolor, crack at the rubber seal between the glass cooktop and the porcelain edge or if the pattern wears off, or if any of the radiant surface units burn out. During this additional four-year limited warranty , you will be responsible for all labor and related service costs to replace the defective part.

Cooktops (CleanDesign)

For The Period Of	GE Will Replace
One Year From the date of the original purchase	Any part in the cooking product which fails due to a defect in materials or workmanship. During this full one-year warranty , GE will provide, free of charge , all labor and related service costs to replace the defective part.
Second through Fifth Year From the date of the original purchase.	Glass Cooktop, Radiant Surface Units , if the glass cooktop should crack due to thermal shock, discolor or if the pattern wears off, or if any of the radiant surface units should burn out. During this additional four-year limited warranty , you will be responsible for all labor and related service costs to replace the defective part.

Hoods

For The Period Of	GE Will Replace
One Year From the date of the original purchase	Any part in the hood which fails due to a defect in materials or workmanship. During this full one-year warranty , GE will provide, free of charge , all labor and related service costs to replace the defective part.

Microwave Ovens (Over-The-Range models, Built-In models,

JEM31SF/WF/CF/BF, JE1860SB/WB/CB/GB, JE1840WB/GB, JE1660WB/GB, JE1640WB/AB/GB, JE1590SC/WC/CC/BC)

For The Period Of	GE Will Replace
One Year From the date of the original purchase	Any part in the microwave which fails due to a defect in materials or workmanship. During this full one-year warranty , GE will provide, free of charge , all labor and related service costs to replace the defective part.
Second through Tenth Year From the date of the original purchase	Magnetron Tube , if the magnetron tube should fail due to a defect in materials or workmanship. During this additional nine-year limited warranty , you will be responsible for any labor and related service costs.

Microwave Ovens (Models JE1460WF/BF, JE1440WF/BF, JE1160WD/BD, JE1140WD/BD, JEM25WF/BF, JE740WY/GY)

For The Period Of	GE Will Replace
One Year From the date of the original purchase	Any part in the microwave which fails due to a defect in materials or workmanship. During this limited one-year warranty , GE will provide, free of charge , all labor (does not include trip charge to home or other service costs) to replace the defective part.
Second through Tenth Year From the date of the original purchase	Magnetron Tube , if the magnetron tube should fail due to a defect in materials or workmanship. During this additional nine-year limited warranty , you will be responsible for any labor and related service costs.

Microwave Ovens (Models JES834WD, JE710BA, JE620WF/BF)

For The Period Of	GE Will Replace
One Year From the date of the original purchase	Any part in the microwave which fails due to a defect in materials or workmanship. During this limited one-year warranty , GE will provide, free of charge , all labor (does not include trip charge to home or other service costs) to replace the defective part.
Second through Fifth Year From the date of the original purchase	Magnetron Tube , if the magnetron tube should fail due to a defect in materials or workmanship. During this additional four-year limited warranty , you will be responsible for any labor and related service costs.

Dishwashers (Models PDW7300G, PDW7700G, PDW7800G, PDW7880G, PDW8000G, PDW8060G)

For The Period Of	GE Will Replace
One Year From the date of the original purchase	Any part in the dishwasher which fails due to a defect in materials or workmanship. During this full one-year warranty , GE will provide, free of charge , all labor and related service costs to replace the defective part.
Second Year From the date of the original purchase	Any part in the dishwasher which fails due to a defect in materials or workmanship. During this additional one-year limited warranty , you will be responsible for any labor and related service costs.
Third through Fifth Year From the date of the original purchase	Racks or Electronic Control Board , if either the racks or electronic control board should fail due to a defect in materials or workmanship. During this additional three-year limited warranty , you will be responsible for any labor and related service costs.
Lifetime of Product	Tub or Door Liner , if either the tub or door liner should fail due to a defect in materials or workmanship. During this full product lifetime warranty , GE will provide, free of charge , all labor and related service costs to replace the defective part.

Dishwashers (Models GSD4800G, GSD5500G, GSD5560G, GSD6200G, GSD6600G, GSD6660G)

For The Period Of	GE Will Replace
One Year From the date of the original purchase	Any part in the dishwasher which fails due to a defect in materials or workmanship. During this full one-year warranty , GE will provide, free of charge , all labor and related service costs to replace the defective part.
Second Year From the date of the original purchase	Any part of the Water Distribution System which fails due to a defect in materials or workmanship. Associated inlet and drain plumbing parts are not covered by this warranty. During this additional one-year limited warranty , you will be responsible for any labor and related service costs.
Third through Fifth Year From the date of the original purchase	Racks* or Electronic Control Board , if either the racks or electronic control board should fail due to a defect in materials or workmanship. During this additional three-year limited warranty , you will be responsible for any labor and related service costs. *Except models GSD4800G, GSD5500G, GSD5560G and GSD6200G.
Ten Years From the date of the original purchase	Tub or Door Liner , if either the tub or door liner should fail due to a defect in materials or workmanship. During this full ten-year warranty , GE will provide, free of charge , all labor and related service costs to replace the defective part.

Dishwashers (Models GSM2100G, GSC3200G, GSC3400G, GSD1900G, GSD2000G, GSD2001G, GSD2200G, GSD2201G, GSD3200G, GSD3600G, GSD3660G, GSD3800G)

For The Period Of	GE Will Replace
One Year From the date of the original purchase	Any part in the dishwasher which fails due to a defect in materials or workmanship. During this full one-year warranty , GE will provide, free of charge , all labor and related service costs to replace the defective part.
Second Year From the date of the original purchase	Any part of the Water Distribution System which fails due to a defect in materials or workmanship. Associated inlet and drain plumbing parts are not covered by this warranty. During this additional one-year limited warranty , you will be responsible for any labor and related service costs.
Ten Years From the date of the original purchase	Tub or Door Liner , if either the tub or door liner should fail due to a defect in materials or workmanship. During this full ten-year warranty , GE will provide, free of charge , all labor and related service costs to replace the defective part.

Dishwashers (Model GSS1800Z)

For The Period Of	GE Will Replace
One Year From the date of the original purchase	Any part in the dishwasher which fails due to a defect in materials or workmanship. During this full one-year warranty , GE will provide, free of charge , all labor and related service costs to replace the defective part.

Compactors

For The Period Of	GE Will Replace
One Year From the date of the original purchase	Any part in the compactor which fails due to a defect in materials or workmanship. During this full one-year warranty , GE will provide, free of charge , all labor and related service costs to replace the defective part.

Disposers (Models GFC320F, GFC325F, GFC329G, GFC520F, GFC525F, GFC530F, GFC535F, GFC720F, GFB760F, GFC1020F)

For The Period Of	GE Will Replace
One Year From the date of the original purchase	The entire disposer if there is a defect in materials or workmanship relating to functional parts only (appearance parts are excluded). During this full one-year warranty , GE will also provide, free of charge , all labor charges related to replacing the original disposer.

Disposers (Models GFC520F, GFC525F)

For The Period Of	GE Will Replace
Additional One Year From the date of the original purchase	Free of charge, a replacement disposer due to a manufacturing defect relating to functional parts only of the original disposer (appearance parts are excluded). During this extended limited warranty period, you will be responsible for all installation charges relating to the replacement disposer.

Disposers (Models GFC530F, GFC535F)

For The Period Of	GE Will Replace
Additional Two Years From the date of the original purchase	Free of charge, a replacement disposer due to a manufacturing defect relating to functional parts only of the original disposer (appearance parts are excluded). During this extended limited warranty period, you will be responsible for all installation charges relating to the replacement disposer.

Disposers (Model GFC720F, GFB760F)

For The Period Of	GE Will Replace
Additional Four Years From the date of the original purchase	Free of charge, a replacement disposer due to a manufacturing defect relating to functional parts only of the original disposer (appearance parts are excluded). During this extended limited warranty period, you will be responsible for all installation charges relating to the replacement disposer.

Disposers (Model GFC1020F)

For The Period Of	GE Will Replace
Additional Six Years From the date of the original purchase	Free of charge, a replacement disposer due to a manufacturing defect relating to functional parts only of the original disposer (appearance parts are excluded). During this extended limited warranty period, you will be responsible for all installation charges relating to the replacement disposer.

Warranty Information* (continued)

GE Profile Wizard™ Washer (Model WPSE7003A)

For The Period Of	GE Will Replace
Ten Years From the date of the original purchase	Any part in the washer which fails due to a defect in materials or workmanship. During this full ten-year warranty , GE will provide, free of charge , all labor and related service costs to replace the defective part.
Lifetime of Product	PermaTuf II™ Basket , if the PermaTuf II™ Basket should fail due to a defect in materials or workmanship. During this product lifetime limited warranty , you will be responsible for any labor and related service costs.

GE Profile Wizard™ Dryer (Model DPSE592EA/DPSE592GA)

For The Period Of	GE Will Replace
Ten Years From the date of the original purchase	Any part of the dryer which fails due to a defect in materials or workmanship. During this full ten-year warranty , GE will provide, free of charge , all labor and related service costs to replace the defective part.

GE Profile™ Washers

For The Period Of	GE Will Replace
One Year From the date of the original purchase	Any part in the washer which fails due to a defect in materials or workmanship. During this full one-year warranty , GE will provide, free of charge , all labor and related service costs to replace the defective part.
Second Year From the date of the original purchase	Any part in the washer which fails due to a defect in materials or workmanship. During this additional one-year limited warranty , you will be responsible for any labor and related service costs.
Second through Fifth Year From the date of the original purchase	Suspension Rod and Spring Assembly, and Main Electronic Control Board , if any of these parts should fail due to a defect in materials or workmanship. GE will also replace the Washer Lid or Cover , if they should rust under operating conditions. During this additional four-year limited warranty , you will be responsible for any labor and related service costs.
Second through Tenth Year From the date of the original purchase	Transmission and Outer Wash Tub , if either the transmission or outer wash tub should fail due to a defect in materials or workmanship. During this additional nine-year limited warranty , you will be responsible for any labor and related service costs.
Lifetime of Product	PermaTuf II™ Basket , if the PermaTuf II™ Basket should fail due to a defect in materials or workmanship. During this product lifetime limited warranty , you will be responsible for any labor and related service costs.

GE Washers and Non-Coin Commercial Washer (Model WNCD2050A)

For The Period Of	GE Will Replace
One Year From the date of the original purchase	Any part in the washer which fails due to a defect in materials or workmanship. During this full one-year warranty , GE will provide, free of charge , all labor and related service costs to replace the defective part.
Second through Fifth Year From the date of the original purchase	Transmission, Suspension Rod and Spring Assembly , if any of these parts should fail due to a defect in materials or workmanship. GE will also replace the Washer Lid or Cover , if they should rust under operating conditions. During this additional four-year limited warranty , you will be responsible for any labor and related service costs.
Second through Tenth Year From the date of the original purchase	Outer Tub , if the outer tub should fail due to a defect in materials or workmanship. During this additional nine-year limited warranty , you will be responsible for any labor and related service costs.
Second through Twentieth Year From the date of the original purchase	PermaTuf II™ Basket , if the PermaTuf II™ Basket should fail due to a defect in materials or workmanship. During this additional nineteen-year limited warranty , you will be responsible for any labor and related service costs.

GE Spacemaker® Washers

For The Period Of	GE Will Replace
One Year From the date of the original purchase	Any part in the washer which fails due to a defect in materials or workmanship. During this full one-year warranty , GE will provide, free of charge , all labor and related service costs to replace the defective part.
Second through Fifth Year From the date of the original purchase	Transmission and Electronics , if the transmission or electronics should fail due to a defect in materials or workmanship. During this additional four-year limited warranty , you will be responsible for any labor and related service costs.

GE Profile™ Front-Loading Washers

For The Period Of	GE Will Replace
One Year From the date of the original purchase	Any part in the washer which fails due to a defect in materials or workmanship. During this full one-year warranty , GE will provide, free of charge , all labor and related service costs to replace the defective part.
Second Year From the date of the original purchase	Any part in the washer which fails due to a defect in materials or workmanship. During this additional one-year limited warranty , you will be responsible for any labor and related service costs.
Third through Fifth Year From the date of original purchase	Suspension Strut Assembly, Motor, Motor Controller, Washer Door or Door Panel rust-through , if any of these parts fail due to defective materials or workmanship. During this additional three-year limited warranty , you will be responsible for any labor and related service costs.
Third through Tenth Year From the date of the original purchase	Outer Tub or Driven Pulley , if the either of these parts fail due to defective materials or workmanship. During this eight-year limited warranty , you will be responsible for any labor and related service costs.
Lifetime of Product	Inner Wash Basket , if the Inner Wash Basket fails due to defective materials or workmanship. During this product lifetime limited warranty , you will be responsible for any labor and related service costs.

GE Front-Loading Washers

For The Period Of	GE Will Replace
One Year From the date of the original purchase	Any part in the washer which fails due to a defect in materials or workmanship. During this full one-year warranty , GE will provide, free of charge , all labor and related service costs to replace the defective part.
Second through Fifth Year From the date of the original purchase	Suspension Strut Assembly, Motor, Washer Door or Door Panel rust-through , if any of these parts fail due to defective materials or workmanship. During this additional four-year limited warranty , you will be responsible for any labor and related service costs.
Second through Tenth Year From the date of original purchase	Outer Tub , if the Outer Tub fails due to defective materials or workmanship. During this additional nine-year limited warranty , you will be responsible for any labor and related service costs.
Second through Twentieth Year From the date of the original purchase	Inner Wash Basket , if the Inner Wash Basket fails due to defective materials or workmanship. During this nineteen-year limited warranty , you will be responsible for any labor and related service costs.

GE Profile™ Super Capacity, Extra-Large Capacity and GE Profile™ Front-Loading Dryers

For The Period Of	GE Will Replace
One Year From the date of the original purchase	Any part in the dryer which fails due to a defect in materials or workmanship. During this full one-year warranty , GE will provide, free of charge , all labor and related service costs to replace the defective part.
Second Year From the date of the original purchase	Any part of the dryer which fails due to a defect in materials or workmanship. During this additional one-year limited warranty , you will be responsible for any labor and related service costs.
Third through Fifth Year From the date of the original purchase	Dryer Drum and Main Electronic Control Panel* , if either of these parts should fail due to a defect in materials or workmanship. During this additional three-year limited warranty , you will be responsible for any labor and related service costs. *Main Electronic Control Panel warranty does not apply to GE Profile Front-Loading Dryers.

GE Super Capacity, Extra-Large Capacity, Large Capacity, Spacemaker® and GE Front-Loading Dryers

For The Period Of	GE Will Replace
One Year From the date of the original purchase	Any part in the dryer which fails due to a defect in materials or workmanship. During this full one-year warranty , GE will provide, free of charge , all labor and related service costs to replace the defective part.

GE Coin Commercial Washers and Dryers (Models WNCJ2050A, WNCK2050A, DNCJ440EA/GA, DNCK440EA/GA, WCCB1030B, WLCD2050B, WCCD2050B, WCCH404V, DCD330EB/GB, DCB330EB/GB, DDC4400S, DDC4500S)

For The Period Of	GE Will Replace
Three Years From the date of the original purchase	Any part in the washer or dryer which fails due to a defect in materials or workmanship. During this limited three-year warranty , you will be responsible for any labor and related service costs.
Fourth through Fifth Year From the date of the original purchase	Outer Tub, Inner Basket, Dryer Drum and Cabinet rust-through , if any of these parts prove to be defective in materials or workmanship. During this additional two-year limited warranty , you will be responsible for any labor and related service costs.

GE Non-Coin Commercial Dryer

(Model DNCD450EA/GA)

For The Period Of	GE Will Replace
One Year From the date of the original purchase	Any part in the dryer which fails due to a defect in materials or workmanship. During this full one-year warranty , GE will provide, free of charge , all labor and related service costs to replace the defective part.

GE SmartWater™ Filtration Systems

(Models PNRV18ZWW, PNRV18ZCC, PNRV18ZBB, PNRV18ZWH, PNRV18ZBL, PNRV12ZBL)

For The Period Of	GE Will Replace
One Year From the date of the original purchase	Any part of the Reverse Osmosis Filtration System which fails due to a defect in materials or workmanship. During this full one-year warranty , GE will provide, free of charge , all labor and related service costs to replace the defective part.

GE SmartWater™ Filtration Systems (Model GXRV10ABL)

For The Period Of	GE Will Replace
One Year From the date of the original purchase	Any part of the Reverse Osmosis Filtration System which fails due to a defect in materials or workmanship. During this limited one-year warranty , GE will provide, free of charge , all labor (does not include trip charge to home or other service costs) to replace the defective part.

GE SmartWater™ Filtration Systems

(Models GNSV25CBL, GNSV30CWVW, GNSV30CCC, GNSL05CBL)

For The Period Of	GE Will Replace
One Year From the date of the original purchase	Any part of the Water Filtration System (excluding filters) which fails due to a defect in materials or workmanship. During this full one-year warranty , GE will provide, free of charge , all labor and related service costs to replace the defective part.

GE SmartWater™ Softening Systems

(Models GNSH45E, GXSH39E and GXSF27E)

For The Period Of	GE Will Replace
One Year From the date of the original purchase	Any part of the water softening system which fails due to a defect in materials or workmanship. During this full one-year warranty , GE will provide, free of charge , all labor and related service costs to replace the defective part.
Second through Third Year From the date of the original purchase	Electronic Monitor , if the electronic monitor fails due to a defect in materials or workmanship. During this additional two-year limited warranty , you will be responsible for any labor and related service costs.
Second through Tenth Year From the date of the original purchase	Cabinet (Brine Tank) and Resin Tank , if either of these parts fail due to a defect in materials or workmanship. During this additional nine-year limited warranty , you will be responsible for any labor and related service costs.

Air Conditioners (Window Built-In and Built-In Units)

For The Period Of	GE Will Replace
One Year From the date of the original purchase	Any part in the air conditioner which fails due to a defect in materials or workmanship. During this full one-year warranty , GE will provide, free of charge , all labor and related service costs to replace the defective part.
Five Years From the date of the original purchase	Sealed Refrigerating System , if the sealed refrigerating system (compressor, condenser, evaporator and all connecting tubing) should fail due to a defect in materials or workmanship. During this full five-year warranty , GE will provide, free of charge , all labor and related service costs to replace the defective part.

Air Conditioners (Zoneline and Vertical Zoneline)

For The Period Of	GE Will Replace
One Year From the date of the original purchase	Any part of the air conditioner which fails due to a defect in materials or workmanship. During this full one-year warranty , GE will provide, free of charge , all labor and related service costs to replace the defective part.
Five Years From the date of the original purchase	Sealed Refrigerating System , if any part of the Sealed Refrigerating System (the compressor, condenser, evaporator, and all connecting tubing) should fail due to a defect in materials or workmanship. During this full five-year warranty , GE will provide, free of charge , all labor and related service costs to replace the defective part.
Second through Fifth Year (Zoneline only) From the date of the original purchase <small>*Except in Alaska. See warranty for details.</small>	Fan Motors, Switches, Thermostat, Heater, Heater Protectors, Compressor Overload, Solenoids, Circuit Boards, Auxiliary Controls, Thermistors, Freeze Sentinel, Frost Controls, ICR Pump, Capacitors, Varistors and Indoor Blower Bearing , if any of these parts should fail due to a defect in materials or workmanship. During this additional four-year limited warranty , you will be responsible for any labor and related service costs.
Second through Fifth Year (Vertical Zoneline only) From the date of the original purchase	Fan Motors, Switches, Heater, Heater Protectors, Compressor Overload, Solenoids, Circuit Boards, Auxiliary Controls, Thermistors, Frost Controls, ICR Pump, Capacitors, Varistors and Indoor Blower Bearing , if any of these parts should fail due to a defect in materials or workmanship. During this additional four-year limited warranty , you will be responsible for any labor and related service costs.

Dehumidifiers

For The Period Of	GE Will Replace
One Year From the date of the original purchase <small>*Compressor only on models AHG50/40/30.</small>	Any part of the Dehumidifier which fails due to a defect in materials or workmanship. During this full one-year warranty , GE will provide, free of charge , all labor and related service costs to replace the defective part.
Five Years From the date of the original purchase	Sealed Refrigerating System , if the Sealed Refrigerating System (the compressor, condenser, dehumidifying coil and all connecting tubing) should fail due to a defect in materials or workmanship. During this full five-year warranty , GE will provide, free of charge , all labor and related service costs to replace the defective part.

*See written warranty for complete details.

This warranty is extended to the original purchaser and any succeeding owner for products purchased for home use within the USA. In Alaska, the One Year Warranty excludes the cost of shipping, or service calls to your home. Some states do not allow the exclusion or limitation of incidental or consequential damages. This warranty gives you specific legal rights, and you may also have other rights which vary from state to state. To know what your legal rights are, consult your local or state consumer affairs office or your state's Attorney General.

What GE Will Not Cover:

- Service trips to your home to teach you how to use the product.
- Improper installation.
- Replacement of house fuses or resetting of circuit breakers.
- Failure of the product if it is abused, misused or used for anything other than the intended purpose or used commercially.
- Damage to product caused by accident, fire, floods or acts of God.
- Incidental or consequential damage caused by possible defects with this appliance.

GE Profile Arctica™ Side-By-Side Refrigerators

	GE Profile Arctica									
	PSS29NHN PSS29NGN	PSS27SHN PSS27SGN	PSS27NHN	PSS27NGN	PSS27MGN	PSF26NGN	PSS25SGN	PSS25NGN	PSS25NCN	PSS25MGN
Stainless steel model		●					●			
Capacity										
Total (cu. ft.)	28.7 / 28.6	26.8 / 26.6	26.8	26.6	26.7	25.5	25.3	25.3	25.2	25.4
Fresh food (cu. ft.)	17.92 / 17.85	16.77 / 16.60	16.77	16.60	16.60	16.02	15.90	15.90	15.90	15.90
Freezer (cu. ft.)	10.78	10.01	10.01	10.01	10.12	9.48	9.37	9.37	9.26	9.48
Shelf area (sq. ft.)	23.9 / 25.0	22.8 / 23.8	22.8	23.8	24.2	23.6	23.6	23.6	23.8	23.7
Fresh Food Features										
Refreshment center	● / -	● / -	●							
ClimateKeeper™ system	●	●	●	●	●	●	●	●	●	●
Multiflow air system	●	●	●	●	●	●	●	●	●	●
Upfront electronic digital display	●	●	●	●	●	●	●	●	●	●
Upfront electronic touch temp. controls	●	●	●	●	●	●	●	●	●	●
Electronic sensors	●	●	●	●	●	●	●	●	●	●
TurboCool™ setting	●	●	●	●	●	●	●	●	●	●
SmartWater™ filtration system	Plus	Plus	Plus	Plus	Plus	Plus	Plus	Plus	Plus	Plus
LightTouch! dispenser	Crushed Ice, Cubes, Water	Crushed Ice, Cubes, Water	Crushed Ice, Cubes, Water	Crushed Ice, Cubes, Water	Crushed Ice, Cubes, Water	Crushed Ice, Cubes, Water	Crushed Ice, Cubes, Water	Crushed Ice, Cubes, Water		Crushed Ice, Cubes, Water
Light	●	●	●	●	●	●	●	●	●	●
Child lock	●	●	●	●	●	●	●	●	●	●
Door alarm	●	●	●	●	●	●	●	●	●	●
Quick Ice™ feature	●	●	●	●	●	●	●	●	●	●
Water filter indicator light	●	●	●	●	●	●	●	●	●	●
Cabinet shelves	3 Glass	3 Glass	3 Glass	3 Glass	3 Glass	3 Glass	3 Glass	3 Glass	3 Glass	3 Glass
Adjustable	3	3	3	3	3	3	3	3	3	3
Slide-out, spill-proof	2	2	2	2	2	2	2	2	2	2
QuickSpace™ shelf	●	●	●	●	●	●	●	●	●	●
Integrated shelf support system	●	●	●	●	●	●	●	●	●	●
Snugger™ clip(s)	2	2	2	2	2	2	2	2	2	2
Deli pan	Adj. Temp.	Adj. Temp.	Adj. Temp.	Adj. Temp.	Adj. Temp.	Adj. Temp.	Adj. Temp.	Adj. Temp.	Adj. Temp.	Adj. Temp.
Vegetable/fruit crisper	Adj. Humid.	Adj. Humid.	Adj. Humid.	Adj. Humid.	Adj. Humid.	Adj. Humid.	Adj. Humid.	Adj. Humid.	Adj. Humid.	Adj. Humid.
Snack pan	Sealed	Sealed	Sealed	Sealed	Sealed	Sealed	Sealed	Sealed	Sealed	Sealed
CustomCool™ technology	●	●	●	●	●	●	●	●	●	●
ClearLook™ modular door bins	3 (1 Adj.) 5 (4 Adj.)	3 (1 Adj.) 5 (4 Adj.)	3 (1 Adj.)	5 (4 Adj.)	5 (4 Adj.)	5 (4 Adj.)	5 (4 Adj.)	5 (4 Adj.)	5 (4 Adj.)	5 (4 Adj.)
Dairy compartment (removable) (butter dish)	Clear	Clear	Clear	Clear	Clear	Clear	Clear	Clear	Clear	Clear
Can storage rack (door)	● / -	● / -	●							
Beverage rack	●	●	●	●	●	●	●	●	●	●
Interior light system	Tri-level	Tri-level	Tri-level	Tri-level	Dual-level	Tri-level	Tri-level	Tri-level	Tri-level	Dual-level
Quiet Design	Premium	Premium	Premium	Premium	Premium	Premium	Premium	Premium	Premium	Premium
Automatic moisture control	●	●	●	●	●	●	●	●	●	●
NeverClean™ condenser	●	●	●	●	●	●	●	●	●	●
ENERGY STAR®						● (15%)	● (15%)	● (15%)	●	● (15%)
Freezer Features										
FrostGuard™ technology	●	●	●	●	●	●	●	●	●	●
Factory-installed electronic icemaker & bin	●	●	●	●	●	●	●	●	●	●
Wire Slide-out baskets	3 (2 full-ext.)	3 (2 full-ext.)	3 (2 full-ext.)	3 (2 full-ext.)	3	3 (2 full-ext.)	3 (2 full-ext.)	3 (2 full-ext.)	3 (2 full-ext.)	3
Wire cabinet shelves	2 (1 slide-out)	2 (1 slide-out)	2 (1 slide-out)	2 (1 slide-out)	2 (1 slide-out)	2 (1 slide-out)	2 (1 slide-out)	2 (1 slide-out)	2 (1 slide-out)	2 (1 slide-out)
Wire tilt-out door bin(s)	3 (2 Adj.)	3 (2 Adj.)	3 (2 Adj.)	3 (2 Adj.)	3 (2 Adj.)	3 (2 Adj.)	3 (2 Adj.)	3 (2 Adj.)	4 (3 Adj.)	3 (2 Adj.)
Fixed door bin(s)	1	1	1	1	1	1	1	1	1	1
Interior light	●	●	●	●	●	●	●	●	●	●
Exterior										
Color(s) available*	WW, CC, BB	BS	WW, CC, BB	WW, CC, BB	WW, CC, BB	WW, CC, BB	BS	WW, CC, BB	WW, CC, BB	WW, CC, BB
Door handle(s)	Color-Matched Contoured Profile	Black Contoured Profile	Color-Matched Contoured Profile	Color-Matched Contoured Profile	Color-Matched Contoured Profile	Color-Matched Contoured Profile	Black Contoured Profile	Color-Matched Contoured Profile	Color-Matched Contoured Profile	Color-Matched Contoured Profile
Exterior design	Contoured	Contoured	Contoured	Contoured	Contoured	Contoured High-Gloss	Contoured	Contoured	Contoured	Contoured
Textured steel door and case	●	Case only	●	●	●	Case only	Case only	●	●	●
Adjustable rollers	Front	Front	Front	Front	Front	Front	Front	Front	Front	Front
Weights & Dimensions										
Height to top of hinge (in.) A	69-1/4	69-1/4	69-1/4	69-1/4	69-1/4	69-1/4	69-1/4	69-1/4	69-1/4	69-1/4
Height to top of case (in.) B	68-3/4	68-3/4	68-3/4	68-3/4	68-3/4	68-3/4	68-3/4	68-3/4	68-3/4	68-3/4
Case depth without door (in.) C	28	28	28	28	28	28	28	28	28	28
Case depth less door handle (in.) D	33-9/16	32-1/4	32-1/4	32-1/4	32-1/4	32-1/4	32-1/4	32-1/4	32-1/4	32-1/4
Case depth with door handle (in.) E	36	34-11/16	34-11/16	34-11/16	34-11/16	34-11/16	34-11/16	34-11/16	34-11/16	34-11/16
Depth w/fresh food door open 90° (in.) F	49-11/16	50-1/16	50-1/16	50-1/16	50-1/16	50-1/16	50-1/16	50-1/16	50-1/16	50-1/16
Width (in.) G	35-3/4	35-3/4	35-3/4	35-3/4	35-3/4	35-3/4	35-3/4	35-3/4	35-3/4	35-3/4
Width w/door open 90° less door handle (in.) H	37-3/8	36	36	36	36	36	36	36	36	36
Air clearances										
Each side (in.)	1/8	1/8	1/8	1/8	1/8	1/8	1/8	1/8	1/8	1/8
Top (in.)	1	1	1	1	1	1	1	1	1	1
Back (in.)	1	1	1	1	1	1	1	1	1	1
Approx. shipping weight (lbs.)	320	346	346	346	346	347	347	347	347	347

*Color(s) available: BS = Black case with stainless steel doors, WW = White on white, CC = Bisque on bisque, BB = Black on black.

Add 9/16" for water hook-up. Hook-up fits in 5/8" back air clearance when calculating installation depth.

If installed against a wall, allow clearance of 14-3/16" on 25 cu. ft., 26 cu. ft. and 27 cu. ft. models;

13" on 29 cu. ft. models on freezer side to remove ice bin.

To remove fresh food pans, remove door bins.

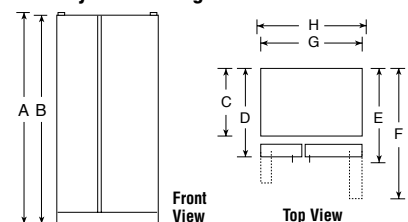
Clearances required to remove fresh food full-size pan without disassembling:

18-15/16" on 25 cu. ft., 26 cu. ft. and 27 cu. ft.; 16-1/4" on 29 cu. ft.

Allow additional space for any necessary leveling adjustments.

ALL MODELS AVAILABLE IN U.S. AND CANADA.

Side-By-Side Refrigerators



GE Profile Arctica CustomStyle™ Side-By-Side Refrigerators

	GE Profile™									
	PSC23SHN PSC23SGN	PSI23SGN PSH23SGN	PSC23NHN	PSC23NGN	PSI23NGN	PSI23SCN	PSI23NCN	PSC23MGN	PSI23MGN	
Stainless steel model	●	●				●				
Capacity										
Total (cu. ft.)	22.7 / 22.6	22.6	22.7	22.6	22.6	22.6	22.6	22.7	22.7	22.7
Fresh food (cu. ft.)	14.41 / 14.38	14.38	14.41	14.38	14.38	14.38	14.38	14.38	14.38	14.38
Freezer (cu. ft.)	8.24	8.24	8.24	8.24	8.24	8.19	8.19	8.32	8.32	8.32
Shelf area (sq. ft.)	18.6 / 19.7	19.7	18.6	19.7	19.7	19.9	19.9	19.9	19.9	19.9
Fresh Food Features										
Refreshment center	● / -		●							
ClimateKeeper system		●		●	●	●	●	●	●	●
Multiflow air system	●	●	●	●	●	●	●	●	●	●
Upfront electronic digital display	●	●	●	●	●	●	●	●	●	●
Upfront electronic touch temperature controls	●	●	●	●	●	●	●	●	●	●
Electronic sensors	●	●	●	●	●	●	●	●	●	●
TurboCool setting	●	●	●	●	●	●	●	●	●	●
SmartWater filtration system	Plus	Plus	Plus	Plus	Plus			Plus	Plus	
LightTouch! dispenser	Crushed Ice, Cubes, Water	Crushed Ice, Cubes, Water	Crushed Ice, Cubes, Water	Crushed Ice, Cubes, Water	Crushed Ice, Cubes, Water			Crushed Ice, Cubes, Water	Crushed Ice, Cubes, Water	
Light	●	●	●	●	●			●	●	
Child lock	●	●	●	●	●			●	●	
Door alarm	●	●	●	●	●			●	●	
Quick Ice feature	●	●	●	●	●			●	●	
Water filter indicator light	●	●	●	●	●			●	●	
Cabinet shelves	3 Glass	3 Glass	3 Glass	3 Glass	3 Glass	3 Glass	3 Glass	3 Glass	3 Glass	3 Glass
Adjustable	3	3	3	3	3	3	3	3	3	3
Slide-out, spill-proof	2	2	2	2	2	2	2	2	2	2
QuickSpace shelf	●	●	●	●	●	●	●	●	●	●
Integrated shelf system	●	●	●	●	●	●	●	●	●	●
Snugger clip(s)	1 / 2	2	1	2	2	2	2	2	2	2
Deli pan	Adj. Temp.	Adj. Temp.	Adj. Temp.	Adj. Temp.	Adj. Temp.	Adj. Temp.	Adj. Temp.	Adj. Temp.	Adj. Temp.	Adj. Temp.
Vegetable/fruit crisper	Adj. Humid.	Adj. Humid.	Adj. Humid.	Adj. Humid.	Adj. Humid.	Adj. Humid.	Adj. Humid.	Adj. Humid.	Adj. Humid.	Adj. Humid.
Snack pan	Sealed	Sealed	Sealed	Sealed	Sealed	Sealed	Sealed	Sealed	Sealed	Sealed
CustomCool technology	●	●	●	●	●	●	●	●	●	●
ClearLook modular door bins	3 (1 Adj.) 5 (4 Adj.)	5 (4 Adj.)	3 (1 Adj.)	5 (4 Adj.)	5 (4 Adj.)	5 (4 Adj.)	5 (4 Adj.)	5 (4 Adj.)	5 (4 Adj.)	5 (4 Adj.)
Dairy compartment (removable) (butter dish)	Clear	Clear	Clear	Clear	Clear	Clear	Clear	Clear	Clear	Clear
Can storage rack (door)	● / -		●							
Beverage rack	●	●	●	●	●	●	●	●	●	●
Interior light system	Tri-level	Tri-level	Tri-level	Tri-level	Tri-level	Tri-level	Tri-level	Dual-level	Dual-level	Dual-level
Quiet Design	Premium	Premium	Premium	Premium	Premium	Premium	Premium	Premium	Premium	Premium
Automatic moisture control	●	●	●	●	●	●	●	●	●	●
NeverClean condenser	●	●	●	●	●	●	●	●	●	●
ENERGY STAR®		- / ●								
Freezer Features										
FrostGuard technology	●	●	●	●	●	●	●	●	●	●
Factory-installed electronic icemaker & bin	●	●	●	●	●	●	●	●	●	●
Wire Slide-out baskets	3 (2 full-ext.)	3 (2 full-ext.)	3 (2 full-ext.)	3 (2 full-ext.)	3 (2 full-ext.)	3 (2 full-ext.)	3 (2 full-ext.)	3	3	3
Wire cabinet shelves	2 (1 slide-out)	2 (1 slide-out)	2 (1 slide-out)	2 (1 slide-out)	2 (1 slide-out)	2 (1 slide-out)	2 (1 slide-out)	2 (1 slide-out)	2 (1 slide-out)	2 (1 slide-out)
Wire tilt-out door bin(s)	3 (2 Adj.)	3 (2 Adj.)	3 (2 Adj.)	3 (2 Adj.)	3 (2 Adj.)	4 (3 Adj.)	4 (3 Adj.)	3 (2 Adj.)	3 (2 Adj.)	3 (2 Adj.)
Fixed door bins	1	1	1	1	1	1	1	1	1	1
Interior light	●	●	●	●	●	●	●	●	●	●
Exterior										
Color(s) available*	BS	BS	WW, CC, BB	WW, CC, BB	WW, CC, BB	BS	WW, CC, BB	WW, CC, BB	WW, CC, BB	WW, CC, BB
CustomStyle configuration	Trimless	Trimless	Trimless	Trimless	Installed Trim	Trimless	Installed Trim	Trimless	Installed Trim	Installed Trim
Door handles*	Black Profile	SS Full-length	CM Profile	CM Profile	CM Full-Length	SS Full-length	CM Full-Length	CM Profile	CM Full-Length	CM Full-Length
Exterior design	Rounded Doors	Squared Doors	Rounded Doors	Rounded Doors	Squared Doors	Squared Doors	Squared Doors	Rounded Doors	Squared Doors	Squared Doors
Textured steel door and case	Case only	Case only	●	●	Case only	Case only	Case only	●	Case only	Case only
Adjustable rollers	All	All	All	All	All	All	All	All	All	All
Weights & Dimensions										
Height to top of hinge (in.) A	69-1/4	69-1/4	69-1/4	69-1/4	69-1/4	69-1/4	69-1/4	69-1/4	69-1/4	69-1/4
Height to top of case (in.) B	68-3/4	68-3/4	68-3/4	68-3/4	68-3/4	68-3/4	68-3/4	68-3/4	68-3/4	68-3/4
Height to top of door trim (in.)		70-1/4			70-1/4	70-1/4	70-1/4		70-1/4	70-1/4
Case depth without door (in.) C	23-7/8	23-7/8	23-7/8	23-7/8	23-7/8	23-7/8	23-7/8	23-7/8	23-7/8	23-7/8
Case depth less door handle (in.) D	26-3/4	26-3/4	26-3/4	26-3/4	26-3/4	26-3/4	26-3/4	26-3/4	26-3/4	26-3/4
Case depth with door handle (in.) E	29-3/16	28-5/16	29-3/16	29-3/16	28-5/16	28-5/16	28-5/16	29-3/16	28-5/16	28-5/16
Depth w/fresh food door open 90° (in.) F	45-9/16	45-9/16	45-9/16	45-9/16	45-9/16	45-9/16	45-9/16	45-9/16	45-9/16	45-9/16
Width (in.) G	35-3/4	35-3/4	35-3/4	35-3/4	35-3/4	35-3/4	35-3/4	35-3/4	35-3/4	35-3/4
Width w/door open 90° w/door handle (in.) H	38-3/16	37-5/16	38-3/16	38-3/16	37-5/16	37-5/16	37-5/16	38-3/16	37-5/16	37-5/16
Air clearances Each side (in.)	1/8	1/8	1/8	1/8	1/8	1/8	1/8	1/8	1/8	1/8
Top (in.)	1	1	1	1	1	1	1	1	1	1
Back (in.)	1/2	1/2	1/2	1/2	1/2	1/2	1/2	1/2	1/2	1/2
Approx. shipping weight (lbs.)	334	334	334	334	334	334	334	334	334	334
Accessories										
Factory trim kit attached	N/A	N/A	N/A	N/A	●	N/A	●	N/A	●	●
Black acrylic panels (optional)	N/A	N/A	N/A	N/A	PSPK23DBB	N/A	PSPK23CBB	N/A	PSPK23DBB	PSPK23DBB
White acrylic panels (optional)	N/A	N/A	N/A	N/A	PSPK23DWW	N/A	PSPK23CWW	N/A	PSPK23DWW	PSPK23DWW
Bisque acrylic panels (optional)	N/A	N/A	N/A	N/A	PSPK23DCC	N/A	PSPK23CCC	N/A	PSPK23DCC	PSPK23DCC
Stainless steel panels (optional)	N/A	N/A	N/A	N/A	PSPK23DSS	N/A	N/A	N/A	PSPK23DSS	PSPK23DSS
Black collar trim (optional)	N/A	TRMBISBB	N/A	N/A	TRMBISBB	TRMBISBB	TRMBISBB	N/A	TRMBISBB	TRMBISBB
White collar trim (optional)	N/A	TRMBISWW	N/A	N/A	TRMBISWW	TRMBISWW	TRMBISWW	N/A	TRMBISWW	TRMBISWW
Bisque collar trim (optional)	N/A	TRMBISCC	N/A	N/A	TRMBISCC	TRMBISCC	TRMBISCC	N/A	TRMBISCC	TRMBISCC
Stainless steel collar trim (optional)	N/A	TRMBISS	N/A	N/A	TRMBISS	TRMBISS	TRMBISS	N/A	TRMBISS	TRMBISS

*Color(s) available: BS = Black case with stainless steel doors, SS = Stainless steel. WW = White on white, CC = Bisque on bisque, BB = Black on black, CM = Color-Matched. If installed against a wall, allow clearance of 13-15/16" on freezer side to remove bin. Clearance required to remove fresh food full size pan without disassembling is 18-5/8".

ALL MODELS AVAILABLE IN U.S. AND CANADA.



Total volume and shelf area are calculated by the Association of Home Appliance Manufacturers' standards.



Listed by Underwriters Laboratories

Refrigeration

Cooking Products

Microwave Ovens

Dishwashers

Clothes Care

Water Systems

Air Conditioning

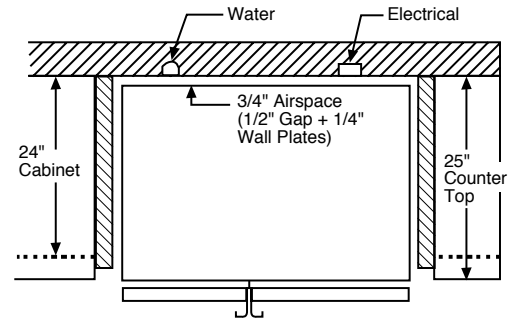
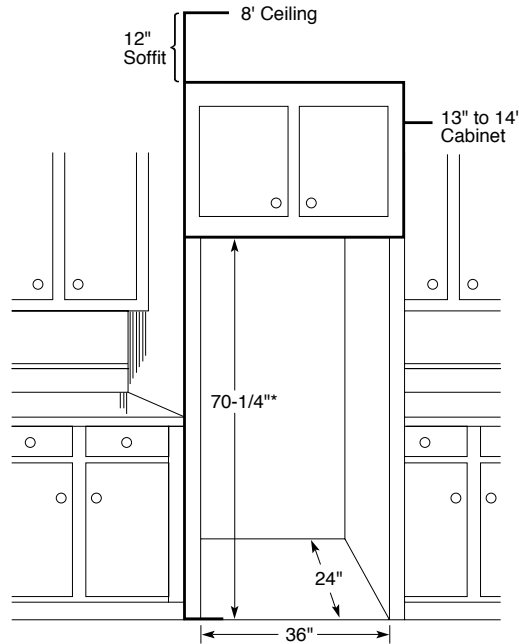
GE Profile Arctica CustomStyle™ Side-By-Side Installation Information and Specifications

Rough-In Dimensions

Standard, New Construction and Replacement Installation

Installation Tips to Maximize the Built-In Look

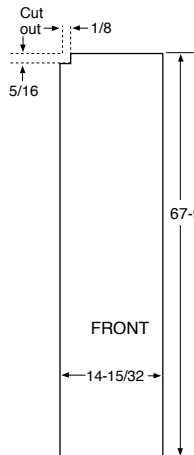
- All wall/floor molding should be removed prior to installation.
- Water recess on rear wall recommended to prevent water line damage. 48" minimum length 1/4" diameter water line tubing recommended.
- When possible, recess both copper water line and electrical outlet. (See local codes)
- Front and rear leveling legs are adjustable for the built-in look. (See owner's manual)
- If optional collar trim kit is to be used or anticipated, see collar trim installation on next page for different rough-in dimensions.



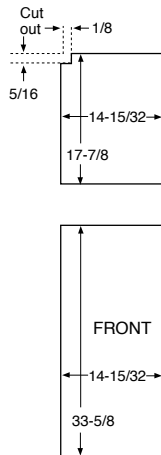
*The rough-in dimension of 70-1/4" is minimum and is measured from the finished floor to top of opening (or the underside of the overhead cabinets). For Models with Trim Kit: If frameless style cabinets are planned for above the refrigerator, you may need to consider adding a maximum of 1/4" (70-1/2") to height of opening to allow additional clearance between cabinet doors and top of refrigerator trim when cabinet doors are in open position.

Door Panel Dimensions

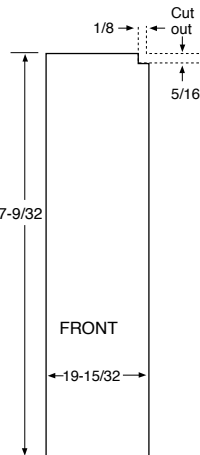
Freezer Panel without Dispenser



Freezer Panel with Dispenser



Fresh Food Panel



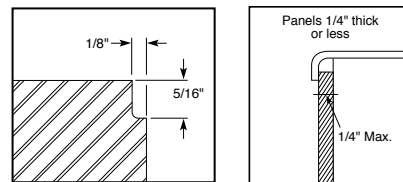
Order your own custom wood panels to match cabinetry or other decor.

Panels up to 1/4" thick will fit door frame with no special preparation. Add filler behind material thinner than 1/4" for proper fit.

Weight Limits: Total weight of panels (i.e., both freezer panels)— Fresh Food = 38 lbs., Freezer = 28 lbs.

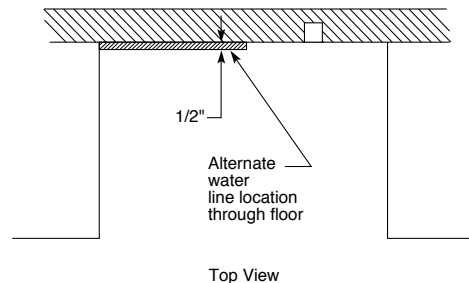
Note: Panels up to 3/4" will require special routing area around handles. Dimensions may vary depending on depth of panel.

Detail C

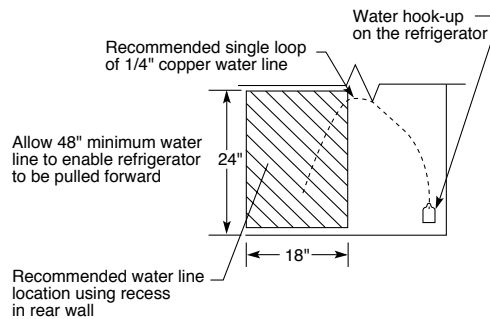


(Fresh Food panel shown)
Notch required at top corner as noted.

Installation of Water Outlets



Top View



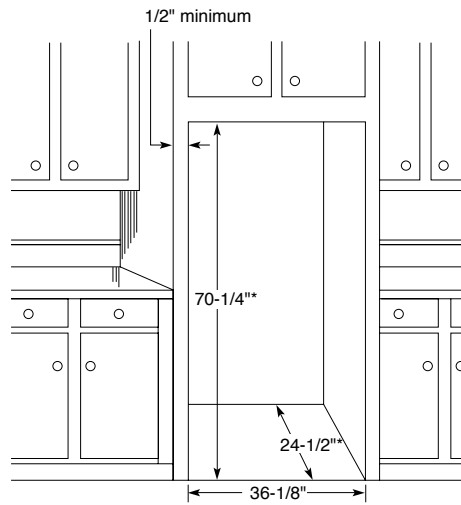
Rear Wall View

IMPORTANT: Before finalizing specifications for your GE Profile CustomStyle Refrigerator, please NOTE:

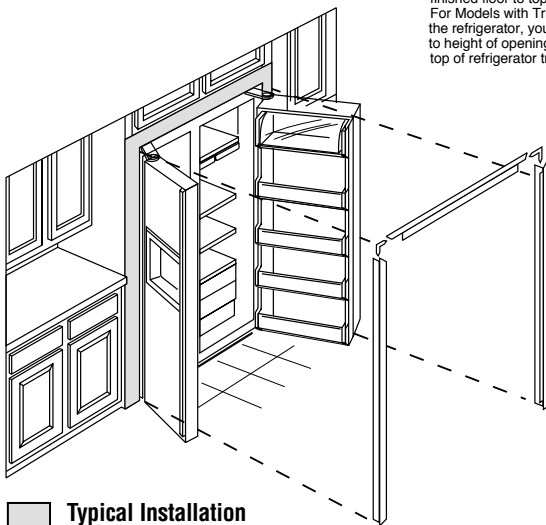
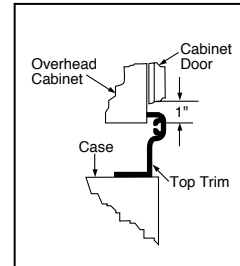
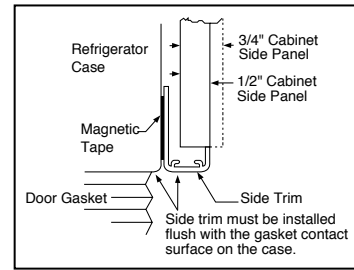
- A minimum of 36" is required for refrigerator installation
- Be sure to allow for 1/2" or 3/4" side panels in addition to the 36" minimum

Collar Trim Installation

An enclosure is **required** to match up to the trim, see Typical Installation. To obtain the most integrated look, the cabinet or soffit above the refrigerator should extend out to the same depth as the side panels. The refrigerator opening must have minimum dimensions of 70-1/4" high x 36-1/8" wide x 24-1/2" deep as shown at right. If there is an overhead cabinet, allow 1" for cabinet door clearance with the top trim piece so the cabinet doors can be opened without hitting the top trim. If 1/2" side panels are used, then side trim and panel will be even. If 3/4" side panels are used, then some of the side panel will extend beyond the trim and must be finished.



*The rough-in dimension of 70-1/4" is minimum and is measured from the finished floor to top of opening (or the underside of the overhead cabinets). For Models with Trim Kit: If frameless style cabinets are planned for above the refrigerator, you may need to consider adding a maximum of 1/4" (70-1/2") to height of opening to allow additional clearance between cabinet doors and top of refrigerator trim when cabinet doors are in open position.



Typical Installation

Shaded areas represent front surfaces of side panels and overhead cabinet or soffit that contacts trim.

IMPORTANT: Before finalizing specifications for your GE Profile CustomStyle Refrigerator, please NOTE:

- A minimum of 36-1/8" is required for refrigerator installation with collar
- Be sure to allow for 1/2" or 3/4" side panels in addition to the 36-1/8" minimum

Fabricating the Enclosure

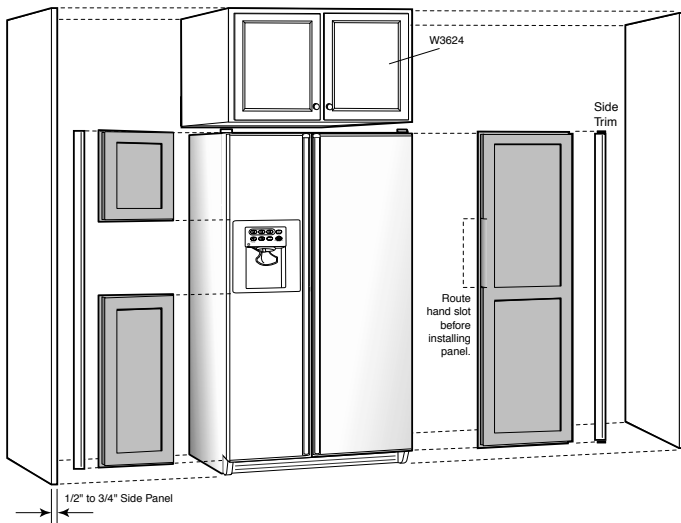
- The drawing shows an 84" cabinet elevation. Adjust dimensions accordingly for other cabinet elevations.
- Cabinet pieces to order: (2) side panels and (1) wall cabinet.
- Side panels will typically be attached to adjacent cabinets and/or cleated to rear wall and floor.
- Refer to GE refrigerator installation instructions for proper plumbing, and electrical and air clearances.
- (1) Some framed cabinet lines will make a refrigerator enclosure with a cabinet 12" high x 39" wide with sides and 1-1/2" face frame extended down to floor to create the refrigerator space. This will replace the above construction.
- (2) A tall cabinet on either side of the refrigerator can replace a side panel!
- Counter overhangs on either side of the refrigerator should have clipped corners to allow for full door swing.
- If the refrigerator has a wall returning beyond the front of the refrigerator on either side, a 2" tall filler will help to allow for movement of the door.

Door Panels

- See drawings for exact dimensions of the fresh-food and freezer door panels.
- Refrigerator door fronts from stock and most semi-custom cabinet manufacturers will be supplied as 1/4"-thick panels cut to dimensions, with closest available standard door sizes applied to front.
 - This will leave a "reveal" at top/bottom and sides.
 - Width of "reveal" will depend on manufacturer's standard door sizes.
 - Door will be affixed on the 1/4" panels at factory or in the field by the local supplier, depending on manufacturer.
- Local shop-built or custom cabinet supplier may fabricate custom 3/4" panels. In this case, edges must be routed.
- Follow notes on drawing to assure room for fingers/hands to open handles.

Create a Custom Look for Your GE Profile CustomStyle Side-By-Side Refrigerator

Still another advantage offered by GE Profile CustomStyle Refrigerators is ease of installation. For a refrigerator that does so much to enhance the beauty of your kitchen, the "behind-the-scenes" preparation and installation are surprisingly simple.



See page 162 for warranty information.

GE® Side-By-Side Refrigerators

	GE "L" Series	GE "S" Series	GE "K" Series	GE "W" Series	GE "J" Series
	GSS25LSM GSS25LGM	GSS25SGM GSS25JGM	GSH25KGM GSH22KGM	GSS25WGM GSS22WGM	GSS25JEM GSS22JEM
Stainless steel model	● / -	●			
Capacity					
Total (cu. ft.)	25.4	24.9 / 21.8	24.9 / 21.8	24.9 / 21.8	24.9 / 21.8
Fresh food (cu. ft.)	15.90	15.33 / 14.70	15.33 / 14.70	15.33 / 14.70	15.33 / 14.70
Freezer (cu. ft.)	9.48	9.53 / 7.11	9.53 / 7.11	9.53 / 7.11	9.53 / 7.11
Shelf area (sq. ft.)	23.7	24.1 / 22.1	24.1 / 22.1	24.1 / 22.1	24.1 / 22.1
Fresh Food Features					
SmartWater™ filtration system	Plus	Plus	Plus	Plus	
LightTouch! dispenser features	Crushed Ice, Cubes, Water	Crushed Ice, Cubes, Water	Crushed Ice, Cubes, Water	Crushed Ice, Cubes, Water	Crushed Ice, Cubes, Water
Light	●	●	●	●	●
Child lock	●	●	●		
Door Alarm	●				
Water filter indicator light	●	●	●	●	
Upfront electronic touch temperature controls	●				
Upfront electronic temperature controls		●	●	●	●
Cabinet shelves	3 Glass	3 Glass	3 Glass	3 Glass	3 Glass
Adjustable	3	3	3	3	3
Slide-out	2	2	2	3	
Spill-proof	2	2	2	3	3
QuickSpace™ shelf	●	●	●		
Integrated shelf system	●				
Snugger™ clip	1	1	1	1	
Deli pan	1 Sealed	1 Adj. Temp.	1 Adj. Temp.	1 Adj. Temp.	1 Adj. Temp.
Vegetable/fruit crisper	1 Adj. Humid.	1 Adj. Humid.	1 Adj. Humid.	1 Adj. Humid.	1 Sealed
Snack pan	●	●	●	●	
Modular door bins	4 (3 Adj. w/ gallon storage)	4 (2 Adj. w/ gallon storage)	4 (2 Adj. w/ gallon storage)	4 (2 Adj. w/ gallon storage)	4 (2 Adj. w/ gallon storage)
Dairy compartment	●	●	●	●	●
Utility bin (clear)	●	●	●	●	
Interior light system	Dual-level	Dual-level	Dual-level	Dual-level	Dual-level
Quiet Design	Deluxe	Deluxe	Deluxe	Deluxe	Deluxe
Automatic moisture control	●	●	●	●	●
NeverClean™ condenser	●	●	●	●	●
ENERGY STAR®	●		●		
Freezer Features					
FrostGuard™ technology	●	●	●	●	●
Factory-installed electronic icemaker & bin	●	●	●	●	●
Wire cabinet shelves	2 (1 slide-out)	4 (3 Adj.)	4 (3 Adj.)	4 (3 Adj.)	4 (3 Adj.)
Storage basket(s)	3 wire (slide-out)	1 wire (slide-out)	1 wire (slide-out)	1 wire (slide-out)	1 bin
Wire tilt-out door bin(s)	1				
Door shelves	3 (2 Adj.)	5	5	5	5
Interior light	●	●	●	●	●
Appearance					
Color(s) available*	BS / WW, CC, BB	BS	WW, CC, BB	WW, CC, BB	WW, CC, BB
Deluxe door handle(s)*	Black Premium / CM	Black Premium	CM Premium	CM Profile	CM Premium
Textured steel door and case	Case only / ●	Case only	●	●	●
Adjustable rollers	Front	Front	Front	Front	Front
Weights & Dimensions					
Height to top of hinge (in.) A	69-1/4	69-3/4 / 67-1/2	69-3/4 / 67-1/2	69-3/4 / 67-1/2	69-3/4 / 67-1/2
Height to top of case (in.) B	68-3/4	68-3/4 / 66-1/2	68-3/4 / 66-1/2	68-3/4 / 66-1/2	68-3/4 / 66-1/2
Case depth without door (in.) C	28	28	28	28	28
Case depth less door handle (in.) D	31-1/4	30-3/4	30-3/4	30-3/4	30-3/4
Case depth with door handle (in.) E	33-9/16	33	33	33	33
Depth with fresh food door open 90° (in.) F	50-1/16	48-13/16	48-13/16	48-13/16	48-13/16
Width (in.) G	35-3/4	35-3/4 / 33-1/2	35-3/4 / 33-1/2	35-3/4 / 33-1/2	35-3/4 / 33-1/2
Width w/door open 90° less door handle (in.) H	36	35-3/4 / 33-1/2	35-3/4 / 33-1/2	35-3/4 / 33-1/2	35-3/4 / 33-1/2
Air clearances Each side (in.)	1/8	1/8	1/8	1/8	1/8
Top (in.)	1	1	1	1	1
Back (in.)	1	1	1	1	1
Approx. shipping weight (lbs.)	338	338 / 334	338 / 315	338 / 315	338 / 315

*Color(s) available: BS = Black case with stainless steel doors, WW = White on white, CC = Bisque on bisque, BB = Black on black, CM = Color-Matched.

Add 9/16" for water hook-up. Hook-up fits in 5/8" back air clearance when calculating installation depth.

If installed against a wall, allow clearance of 10-3/4" on 20 cu. ft. and 22 cu. ft. models; 14-3/16" on 25 cu. ft. models on freezer side to remove bin.

Clearances required to remove fresh food full-size pan without disassembling: 13-1/2" on 20 cu. ft.; 15" on 22 cu. ft.; and 18-15/16" on 25 cu. ft.

Allow additional space for any necessary leveling adjustments.

ALL MODELS AVAILABLE IN U.S. AND CANADA.

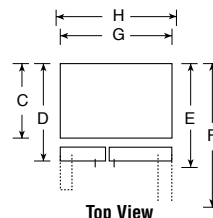
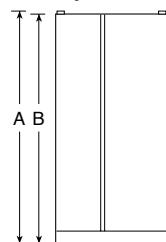


Total volume and shelf area are calculated by the Association of Home Appliance Manufacturers' standards.



Listed by Underwriters Laboratories

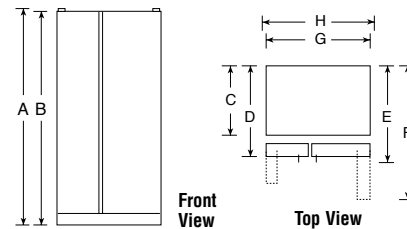
Side-By-Side Refrigerators



	GE "I" Series		GE "D" Series
	GSS22IBM GSS20IBM	GSS20IEM	GSS20DBM
Stainless steel model			
Capacity			
Total (cu. ft.)	21.7 / 19.8	19.9	19.8
Fresh food (cu. ft.)	14.70 / 12.75	12.75	12.75
Freezer (cu. ft.)	7.04	7.11	7.04
Shelf area (sq. ft.)	21.1 / 18.1	17.3	18.2
Fresh Food Features			
LightTouch! dispenser features		Crushed Ice, Cubes, Water	
Light		●	
Upfront electronic temperature controls	●	●	●
Cabinet shelves	3 Glass	3 Glass	3 Wire Everwhite
Adjustable	3	3	3
Deli pan	1 Sealed	1 Adj. Temp.	1 Sealed
Vegetable/fruit crisper	1 Sealed	1 Sealed	1 Sealed
Modular door bins	4 (2 Adj. w/ gallon storage)	4 (2 w/ gallon storage)	4 (2 w/ gallon storage)
Dairy compartment	●	●	●
Interior light system	Single-level	Single-level	Single-level
Quiet Design	Deluxe	Deluxe	Deluxe
Automatic moisture control	●	●	●
NeverClean condenser	●	●	●
Freezer Features			
FrostGuard technology	●	●	●
Factory-installed electronic icemaker & bin	Opt. (IM5SS)	●	Opt. (IM5SS)
Wire cabinet shelves	5 (4 Adj.) 4 (3 Adj.)	3 (2 Adj.)	4 (3 Adj.)
Storage bin(s)	1	1	1
Door shelves	6	5	6
Interior light	●	●	●
Appearance			
Color(s) available*	WW, CC	WW, CC, WH	WW, CC
Deluxe door handle(s)*	CM	WW, CC, BK	CM
Textured steel door and case	●	●	●
Adjustable rollers	Front	Front	Front
Weights & Dimensions			
Height to top of hinge (in.) A	67-1/2	67-1/2	67-1/2
Height to top of case (in.) B	66-1/2	66-1/2	66-1/2
Case depth without door (in.) C	28	28	28
Case depth less door handle (in.) D	30-3/4	30-3/4	30-3/4
Case depth with door handle (in.) E	33	33	33
Depth with fresh food door open 90° (in.) F	48-13/16 / 46-9/16	46-9/16	46-9/16
Width (in.) G	33-1/2 / 31-1/2	31-1/2	31-1/2
Width w/door open 90° less door handle (in.) H	33-1/2 / 31-1/2	31-1/2	31-1/2
Air clearances Each side (in.)	1/8	1/8	1/8
Top (in.)	1	1	1
Back (in.)	1	1	1
Approx. shipping weight (lbs.)	315 / 300	300	300

*Color(s) available: WW = White on white, CC = Bisque on bisque, WH = White, BK = Black, CM = Color-Matched.
 Add 9/16" for water hook-up. Hook-up fits in 5/8" back air clearance when calculating installation depth.
 If installed against a wall, allow clearance of 10-3/4" on 20 cu. ft. and 22 cu. ft. models;
 14-3/16" on 25 cu. ft. models on freezer side to remove bin.
 To remove fresh food pans, remove door bins.
 Clearances required to remove fresh food full-size pan without disassembling:
 13-1/2" on 20 cu. ft.; 15" on 22 cu. ft.; and 18-15/16" on 25 cu. ft.
 Allow additional space for any necessary leveling adjustments.
ALL MODELS AVAILABLE IN U.S. AND CANADA.

Side-By-Side Refrigerators



GE Profile Arctica™ Top-Freezer Refrigerators

	GE Profile Arctica			
	PTS25LBM	PTS25SBM	PTS22LBN	PTS22SBN
Stainless steel model		●		●
Capacity				
Total (cu. ft.)	24.6	24.6	21.7	21.7
Fresh food (cu. ft.)	17.51	17.51	15.35	15.35
Freezer (cu. ft.)	7.08	7.08	6.35	6.35
Shelf area (sq. ft.)	29.1	29.1	26.3	26.3
Fresh Food Features				
ClimateKeeper™ system	●	●	●	●
Multiflow air system	●	●	●	●
Upfront electronic touch temperature controls	●	●	●	●
Electronic sensors	●	●	●	●
Cabinet shelves	4 Glass	4 Glass	4 Glass	4 Glass
Adjustable	4 Split	4 Split	4 Split	4 Split
Slide-out, removable	3	3	3	3
Spill-proof	4	4	4	4
ShelfSaver™ rack	●	●	●	●
Deli pan	Adj. Temperature	Adj. Temperature	Adj. Temperature	Adj. Temperature
Vegetable/fruit crisper(s)	2 Adj. Humidity	2 Adj. Humidity	2 Adj. Humidity	2 Adj. Humidity
Pivot-out pan removal system	●	●	●	●
ClearLook™ modular gallon door bins	4 (Adj.)	4 (Adj.)	4 (Adj.)	4 (Adj.)
Snuggler™ clip(s)	2	2	2	2
Fixed door bins	1 (Tall Bottle)	1 (Tall Bottle)	1 (Tall Bottle)	1 (Tall Bottle)
Dairy compartment (butter dish)	●	●	●	●
Interior light system	Dual	Dual	Dual	Dual
Quiet Design	Premium	Premium	Premium	Premium
Automatic moisture control	●	●	●	●
NeverClean™ condenser	●	●	●	●
ENERGY STAR®			●	●
Freezer Features				
Factory-installed electronic icemaker and bin	Opt. (IM4)	Opt. (IM4)	Opt. (IM4)	Opt. (IM4)
Multiflow air system (freezer)	●	●	●	●
Ice 'N Easy trays	3	3	3	3
Ice storage bin	Ice Bucket	Ice Bucket	Ice Bucket	Ice Bucket
Ice shelf	1 Vertical	1 Vertical	1 Vertical	1 Vertical
FrostGuard™ technology	●	●	●	●
Spill-proof freezer floor	●	●	●	●
Wire freezer compartment shelves	1 full-width (2 pos.)	1 full-width (2 pos.)	1 full-width (2 pos.)	1 full-width (2 pos.)
Freezer door bins	2 (1 Adj.)	2 (1 Adj.)	2 (1 Adj.)	2 (1 Adj.)
Tilt-out locking freezer door bin	●	●	●	●
Interior light	●	●	●	●
Exterior				
Color(s) available*	WW, CC, BB	BS	WW, CC, BB	BS
Deluxe door handle(s)	Color-Matched	Black	Color-Matched	Black
Customer installed handles	●	●	●	●
Exterior design	Rounded Doors	Rounded Doors	Rounded Doors	Rounded Doors
Reversible doors	●	●	●	●
Adjustable rollers	Front	Front	Front	Front
Weights & Dimensions				
Height to top of hinge (in.) A	68-5/8	68-5/8	67-1/2	67-1/2
Height to top of case (in.) B	67-7/8	67-7/8	66-7/8	66-7/8
Case depth without door (in.) C	27-5/8	27-5/8	27-5/8	27-5/8
Case depth less door handle (in.) D 31-5/8	31-5/8	31-5/8	31-5/8	31-5/8
Case depth with door handle (in.) E 33-5/8	33-5/8	33-5/8	33-5/8	33-5/8
Depth with fresh food door open 90° (in.) F	66	66	63	63
Width (in.) G	35 7/8	35-7/8	32-7/8	32-7/8
Width w/door open 90° less door handle (in.) H	36	36	33	33
Air clearances Each side (in.)	1/8	1/8	1/8	1/8
Top (in.)	1	1	1	1
Back (in.)	1	1	1	1
Approx. shipping weight (lbs.)	310	310	260	260

*Color(s) available: BS = Black case with stainless steel doors, WW = White on white, CC = Bisque on bisque, BB = Black on black.

ALL MODELS AVAILABLE IN U.S. AND CANADA.

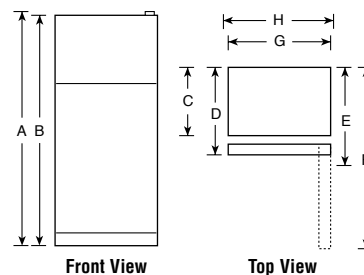


Total volume and shelf area are calculated by the Association of Home Appliance Manufacturers' standards.



Listed by Underwriters Laboratories

Top-Freezer No-Frost Refrigerator



GE Profile CustomStyle™ Top-Freezer Refrigerators

	GE Profile™						
	PTC22MBM	PTC22MFM	PTC22SBM	PTC22SFM	PTI22MBM	PTI22MFM	PTI22SFM
Stainless steel model			●	●			●
Capacity							
Total (cu. ft.)	21.9	21.7	21.9	21.7	21.9	21.7	21.7
Fresh food (cu. ft.)	15.4	15.4	15.4	15.4	15.4	15.4	15.4
Freezer (cu. ft.)	6.5	6.3	6.5	6.3	6.5	6.3	6.3
Shelf area (sq. ft.)	22.4	20	22.4	20	22.4	20	20
Fresh Food Features							
SmartWater™ filtration system		●		●		●	●
LightTouch! dispenser		Crushed Ice, Cubes, Water		Crushed Ice, Cubes, Water		Crushed Ice, Cubes, Water	Crushed Ice, Cubes, Water
Upfront illuminated temperature controls	●	●	●	●	●	●	●
Cabinet shelves	4 Glass	4 Glass	4 Glass	4 Glass	4 Glass	4 Glass	4 Glass
Adjustable	4 Split	4 Split	4 Split	4 Split	4 Split	4 Split	4 Split
Slide-out, spill-proof	3	3	3	3	3	3	3
Snugger clip	●	●	●	●	●	●	●
QuickSpace shelf	●	●	●	●	●	●	●
Meat pan	Adj. Temperature	Adj. Temperature	Adj. Temperature	Adj. Temperature	Adj. Temperature	Adj. Temperature	Adj. Temperature
Vegetable/fruit crisper(s)	2 Adj. Humidity	2 Adj. Humidity	2 Adj. Humidity	2 Adj. Humidity	2 Adj. Humidity	2 Adj. Humidity	2 Adj. Humidity
Slide-out, spill-proof crisper cover	●	●	●	●	●	●	●
ClearLook modular door bins	4 Adj. w/gallon storage	4 Adj. w/gallon storage	4 Adj. w/gallon storage	4 Adj. w/gallon storage	4 Adj. w/gallon storage	4 Adj. w/gallon storage	4 Adj. w/gallon storage
Fixed door bins	1 F/W tall bottle	1 F/W tall bottle	1 F/W tall bottle	1 F/W tall bottle	1 F/W tall bottle	1 F/W tall bottle	1 F/W tall bottle
Slide-out, slide-over pan removal system	●	●	●	●	●	●	●
Dairy compartment	●	●	●	●	●	●	●
Beverage rack	●	●	●	●	●	●	●
Interior light system	Dual	Dual	Dual	Dual	Dual	Dual	Dual
Quiet Design	Deluxe	Deluxe	Deluxe	Deluxe	Deluxe	Deluxe	Deluxe
Automatic moisture control	●	●	●	●	●	●	●
NeverClean condenser	●	●	●	●	●	●	●
ENERGY STAR®		●		●		●	●
Freezer Features							
Factory-installed electronic ice-maker & bin	Opt. (IM4)	●	Opt. (IM4)	●	Opt. (IM4)	●	●
Ice 'N Easy trays	3		3		3		
Ice storage bin	●	●	●	●	●	●	●
Wire compartment shelf(s)	2 Split (Adj.)	1(Adj.) 2 fixed	2 Split (Adj.)	1(Adj.) 2 fixed	2 Split (Adj.)	1(Adj.) 2 fixed	1(Adj.) 2 fixed
Door bins	2 Adj./1 F/W fixed	(1 w/gallon storage)	2 Adj./1 F/W fixed	(1 w/gallon storage)	2 Adj./1 F/W fixed	(1 w/gallon storage)	(1 w/gallon storage)
Interior light	●	●	●	●	●	●	●
Exterior							
Color(s) available*	WW, BB	WW, CC, BB	BS	BS	WW, BB	WW, BB	BS
CustomStyle configuration	Trimless	Trimless	Trimless	Trimless	Installed Trim	Installed Trim	Installed Trim
Premium door handles*	CM Deluxe	CM Deluxe	Black Deluxe	Black Deluxe	CM Full-Length	CM Full-Length	Stainless Steel Appearance
Choose right or left door opening	●	●	●	●	●	●	●
Reversible doors	●	●	●	●	●	●	●
Exterior design	Rounded Doors	Rounded Doors	Rounded Doors	Rounded Doors	Squared Doors	Squared Doors	Squared Doors
Adjustable rollers	All	All	All	All	All	All	All
Weights & Dimensions							
Height to top of hinge (in.) A	69-7/8	69-7/8	69-7/8	69-7/8	69-7/8	69-7/8	69-7/8
Height to top of case (in.) B	68-3/4	68-3/4	68-3/4	68-3/4	68-3/4	68-3/4	68-3/4
Height to top of door trim (in.)					70-1/2	70-1/2	70-1/2
Case depth without door (in.) C	23-3/4	23-3/4	23-3/4	23-3/4	23-3/4	23-3/4	23-3/4
Depth less door handle (in.) D	26-3/4	26-3/4	26-3/4	26-3/4	26-3/4	26-3/4	26-3/4
Depth with door handle (in.) E	28-5/8	28-5/8	28-5/8	28-5/8	28-3/8	28-3/8	28-5/8
Depth with fresh food door open 90° (in.) F	61	61	61	61	61	61	61
Width (in.) G	35-3/4	35-3/4	35-3/4	35-3/4	35-3/4	35-3/4	35-3/4
Width with door open 90° w/door handle (in.) H	38-1/4	38-1/4	38-1/4	38-1/4	38	38	38
Air clearances Each side (in.)	1/8	1/8	1/8	1/8	1/8	1/8	1/8
Top (in.)	1	1	1	1	1	1	1
Back (in.)	1/2	1/2	1/2	1/2	1/2	1/2	1/2
Approx. shipping weight (lbs.)	300	324	300	324	300	324	360
Accessories							
Black acrylic panels (optional)	N/A	N/A	N/A	N/A	PTPK22CBB	PTPK22DBB	N/A
White acrylic panels (optional)	N/A	N/A	N/A	N/A	PTPK22CWW	PTPK22DWW	N/A
Stainless steel panels (optional)	N/A	N/A	N/A	N/A	PTPK22CSS	PTPK22DSS	N/A
Black collar trim (optional)	N/A	N/A	N/A	N/A	TRMBISBB	TRMBISBB	N/A
White collar trim (optional)	N/A	N/A	N/A	N/A	TRMBISWW	TRMBISWW	N/A
Bisque collar trim (optional)	N/A	N/A	N/A	N/A	N/A	N/A	N/A
Stainless steel collar trim (optional)	N/A	N/A	N/A	N/A	TRMBISS	TRMBISS	TRMBISS

*Color(s) available: BS = Black case with stainless steel doors, WW = White on white, CC = Bisque on bisque, BB = Black on black, CM = Color-Matched.

ALL MODELS AVAILABLE IN U.S. AND CANADA.

Refrigeration

Cooking Products

Microwave Ovens

Dishwashers

Clothes Care

Water Systems

Air Conditioning

GE Profile CustomStyle™ Top-Freezer Installation Information and Specifications

Rough-In Dimensions

Standard, New Construction and Replacement Installation

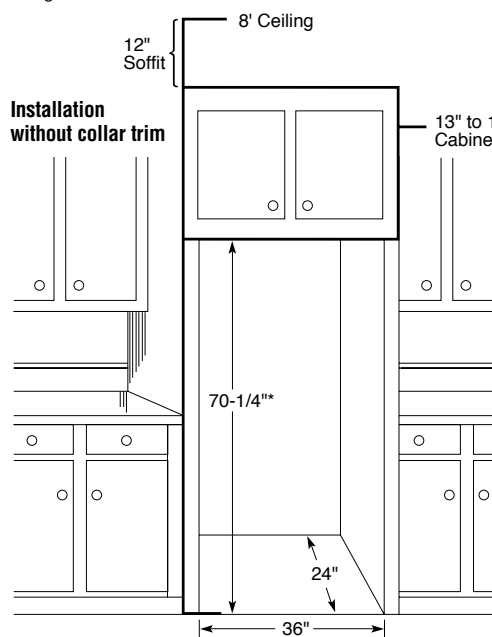
Installation Tips to Maximize the Built-In Look

- All wall/floor molding should be removed prior to installation.
- Water recess on rear wall recommended to prevent water line damage. 48" minimum length 1/4" diameter water line tubing recommended.
- When possible, recess both copper water line and electrical outlet. (See local codes)
- Front and rear leveling legs are adjustable for the built-in look. (See owner's manual)

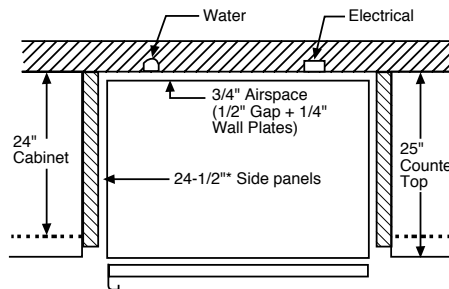
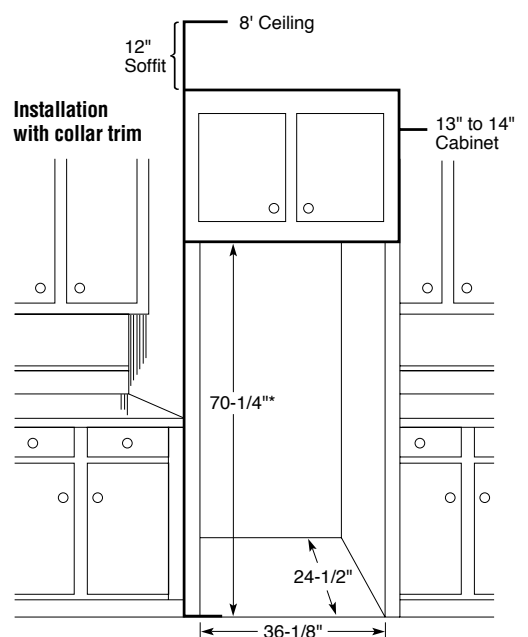
Collar Trim Installation

An enclosure is **required** to match up to the trim, see Typical Installation. To obtain the most integrated look, the cabinet or soffit above the refrigerator should extend out to the same depth as the side panels. The refrigerator opening must have minimum dimensions of 70-1/4" high x 36-1/8" wide x 24-1/2" deep as shown at right. If there is an overhead cabinet, allow 1" for cabinet door clearance with the top trim piece so the cabinet doors can be opened without hitting the top trim. If 1/2" side panels are used, then side trim and panel will be even. If 3/4" side panels are used, then some of the side panel will extend beyond the trim and must be finished.

Rough-In Dimensions



Collar Trim Installation



*The rough-in dimension of 70-1/4" is minimum and is measured from the finished floor to top of opening (or the underside of the overhead cabinets). For Models with Trim Kit: If frameless style cabinets are planned for above the refrigerator, you may need to consider adding a maximum of 1/4" (70-1/2") to height of opening to allow additional clearance between cabinet doors and top of refrigerator trim when cabinet doors are in open position.

For 22 cu. ft. models only.

*22" depth applies to the refrigerator opening, not the actual cabinet depth.

Door Panel Dimensions

Order your own custom wood panels to match cabinetry or other decor.

	Fresh Food Panels	Freezer Panel Without Dispenser	Freezer Panel With Dispenser
22 cu. ft.	B-42-1/4" C-35-3/4"	A-24-1/16" C-35-3/4"	D-24-1/16" C-35-3/4"

Panels up to 1/4" thick will fit door frame with no special preparation. Add filler behind material thinner than 1/4" for proper fit.

Note: Panels up to 3/4" will require special routing area around handles. Dimensions may vary depending on depth of panel.

Handle Side Clearance

- At least 2-5/8" (67mm) on the handle side for fingertip clearances.

Top and Bottom Clearance

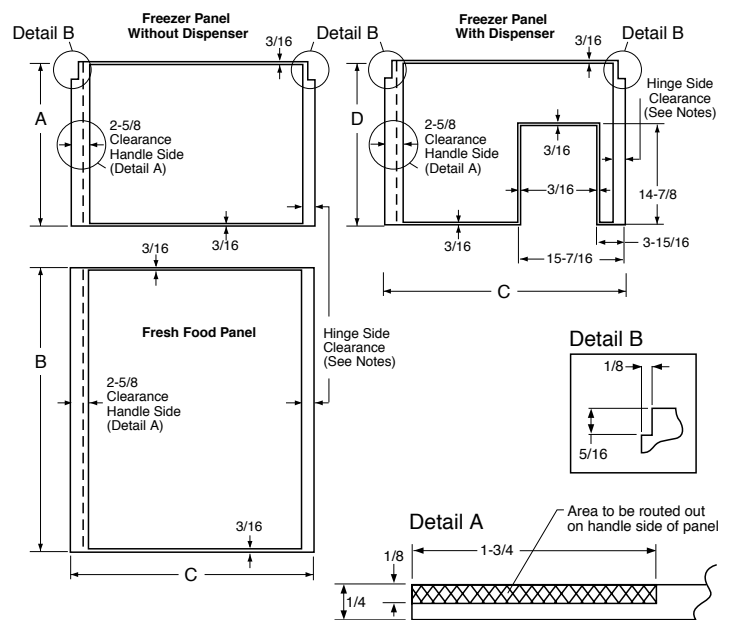
- At least 3/16" (4.75mm) at the top and bottom edges to allow for trim flange.

Hinge Side Clearance

- A 3/4" (19mm) thick door panel may strike the adjacent countertops when the door is fully opened. Therefore, the hinge side clearance to raised panel will vary according to the installation situation.
 - Allow 1-3/4" (44mm) clearance when installation does not include side panels.
 - The installation of 3/4" (19mm) thick side panels requires less clearance because the space between the door and adjacent countertop is wider.
- To avoid door contact to countertop consider:
 - Miter the corner of the adjacent countertops 45°, or
 - Pull the refrigerator forward enough to avoid contact.

Stability Leg

- The top-freezer refrigerator is the first cabinet-depth top-freezer. This means depth is more shallow than conventional models and the width is larger. The stability leg gives the unit extra support.



IMPORTANT: Before finalizing specifications for your GE Profile CustomStyle Refrigerator, please NOTE:

- A minimum of 36" is required for refrigerator installation
- Be sure to allow for 1/2" or 3/4" side panels in addition to the 36" minimum

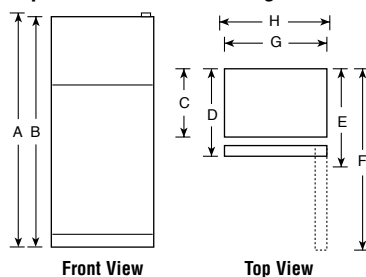
GE® Top-Freezer Refrigerators

	GE "W" Series		GE "K" Series			GE "I" Series	
	GTS22WCM	GTS18WCM	GTS22KBM	GTH22SBN	GTH18KBM GTS18KBM	GTS22IBM GTS22ICM	GTH18IBM GTS18IBM GTS18ICM
Stainless steel model				●			
Capacity							
Total (cu. ft.)	21.7	17.9	21.7	21.7	17.9	21.8	17.9
Fresh food (cu. ft.)	15.35	12.87	15.35	15.35	12.87	15.47	12.89
Freezer (cu. ft.)	6.35	4.98	6.35	6.35	4.98	6.37	5.03
Shelf area (sq. ft.)	24.9	22.0	25.3	25.3	22.4	25.4/25.1	22.6/22.6/22.2
Fresh Food Features							
Upfront temperature controls	Illuminated	Illuminated	Illuminated	Illuminated	Illuminated	Illuminated	Illuminated
Cabinet shelves	4 Glass	4 Glass	4 Glass	4 Glass	4 Glass	3 Glass	3 Glass
(adjustable)	4 Split	4 Split	4 Split	4 Split	4 Split	2 Split, 1 F/W	2 Split, 1 F/W
(spill-proof)	4	4	4	4	4		
(slide-out)	3	4					
(liftoff)	3	4					
Snugger™ clip(s)	1	1	1	1	1		
Vegetable/fruit crisper(s)	2 Adj. Humidity	2 Adj. Humidity	2 Adj. Humidity	2 Adj. Humidity	2 Adj. Humidity	2	2
Snack pan	●	●	●	●	●	●	●
Pivot-out pan removal system	●	●	●	●	●	●	●
Modular gallon door bins	3 (Adj.)	3 (Adj.)	3 (Adj.)	3 (Adj.)	3 (Adj.)		
Fixed door bins	1 (Tall Bottle)	1 (Tall Bottle)	1 (Tall Bottle)	1 (Tall Bottle)	1 (Tall Bottle)	2 F/W (1 w/ gallon storage)	2 F/W (1 w/ gallon storage)
Door shelves						1 w/gallon storage	1 w/gallon storage
Dairy compartment (butter dish)	●	●	●	●	●	●	●
Interior light system	Dual	Dual	Dual	Dual	Dual	Dual	Dual
Quiet Design	Deluxe	Deluxe	Deluxe	Deluxe	Deluxe	Deluxe	Deluxe
Automatic moisture control	●	●	●	●	●	●	●
NeverClean™ condenser	●	●	●	●	●	●	●
ENERGY STAR®				●	● / -		● / - / -
Freezer Features							
Factory-installed electronic icemaker	●	●	Opt. (IM4)	Opt. (IM4)	Opt. (IM4)	Opt. (IM4) / ●	Opt. (IM4) / ●
Ice 'N Easy trays			2	2	2	2 / -	2 / 2 / -
Ice storage bin	Ice Bucket	Ice Bucket				- / Ice Bucket	- / - / Ice Bucket
Ice shelf			Vertical	Vertical	Vertical	Vertical / -	Vertical / Vertical / -
FrostGuard™ technology	●	●	●	●	●	●	●
Spill-proof freezer floor	●	●	●	●	●	●	●
Wire freezer compartment shelves	1 F/W (2 pos.)	1 F/W (2 pos.)	1 F/W (2 pos.)	1 F/W (2 pos.)	1 F/W (2 pos.)	1 F/W (2 pos.)	1 F/W (2 pos.)
Modular door bins	1 (Adj.)	2	1 (Adj.)	1 (Adj.)	2		
Fixed door bins	1 Split		1 Split	1 Split			
Fixed door shelves						2 F/W w/ gallon storage	2 Full-width
Tilt-out locking freezer door bin	●	●	●	●	●		
Interior light	●	●	●	●	●		
Exterior							
Color(s) available*	WW, CC, BB	WW, CC	WW, CC, BB	BS	WW, CC, BB	WW, CC	WW, CC
Door handle(s)*	CM	CM	CM	Black	CM	CM	CM
Customer installed handles	●	●	●	●	●	●	●
Exterior design	Rounded Doors	Rounded Doors	Rounded Doors	Rounded Doors	Rounded Doors	Rounded Doors	Rounded Doors
Reversible doors	●	●	●	●	●	●	●
Adjustable rollers	Front	Front	Front	Front	Front	Front	Front
Weights & Dimensions							
Height to top of hinge (in.) A	67-1/2	66-5/8	67-1/2	67-1/2	66-5/8	67-1/2	66-5/8
Height to top of case (in.) B	66-7/8	66-1/8	66-7/8	66-7/8	66-1/8	66-7/8	66-1/8
Height to mid-freezer (in.)	54-1/2	53-15/16	54-1/2	54-1/2	53-15/16	54-1/2	53-15/16
Case depth without door (in.) C	27-5/8	27-1/2	27-5/8	27-5/8	27-1/2	27-5/8	27-1/2
Depth less door handle (in.) D	31-5/8	30-1/4	31-5/8	31-5/8	30-1/4	31-5/8	30-1/4
Depth with door handle (in.) E	33-5/8	32-1/8	33-5/8	33-5/8	32-1/8	33-5/8	32-1/8
Depth w/fresh food door open 90° (in.) F	63	58-1/8	63	63	58-1/8	63	58-1/8
Width (in.) G	32-7/8	29-1/2	32-7/8	32-7/8	29-1/2	32-7/8	29-1/2
Width w/door open 90° less door handle (in.) H	33	30	33	33	30	33	30
Air clearances Each side (in.)	1/8	1/8	1/8	1/8	1/8	1/8	1/8
Top (in.)	1	1	1	1	1	1	1
Back (in.)	1	1	1	1	1	1	1
Approx. shipping weight (lbs.)	260	233	255	255	231	255/260	226/226/231

*Color(s) available: BS = Black case with Stainless Steel doors, WW = White on white, CC = Bisque on bisque, BB = Black on black, CM = Color-Matched.

ALL MODELS AVAILABLE IN U.S. AND CANADA.

Top-Freezer No-Frost Refrigerator



Total volume and shelf area are calculated by the Association of Home Appliance Manufacturers' standards.



Listed by Underwriters Laboratories

Note: All Top-Freezer No-Frost Right-Hand Refrigerator Doors: As you face the front of the refrigerator, the handle is on your left and the hinges are on your right. All Top-Freezer No-Frost Left-Hand Refrigerator Doors: As you face the front of the refrigerator, the handle is on your right and the hinges are on your left.

See page 162 for warranty information.

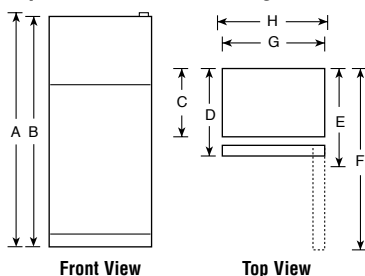
GE® Top-Freezer Refrigerators

	GE "D" Series		GE "B" Series						GE "A" Series
	GTH18DBM GTS18DBM	GTS18DCM	GTR18BBM	GTS17BBM GTS17BCM	GTR17BBM	GTH15BBM GTS15BBM GTS15BCM	GTR15BBM	GTS12BBM	GTS10AAM
Capacity									
Total (cu. ft.)	17.9	17.9	17.6	16.9	16.9	14.6	14.6	11.7	10.3
Fresh food (cu. ft.)	12.89	12.89	13.62	13.05	13.05	10.77	10.77	8.30	7.95
Freezer (cu. ft.)	5.03	5.03	4.01	3.86	3.86	3.86	3.86	2.90	2.37
Shelf area (sq. ft.)	22.6	22.2	18.0	17.5 / 16.7	17.5	17.2 / 17.2 / 16.4	17.2	13.6	14.0
Fresh Food Features									
Upfront temperature controls	●	●	●	●	●	●	●	●	●
Cabinet shelves	3 Wire	3 Wire	2 Wire	2 Wire	2 Wire	2 Wire	2 Wire	2 Wire	2 Wire
(adjustable)	2 Split, 1 F/W	2 Split, 1 F/W	2 F/W	2 F/W	2 F/W	2 F/W	2 F/W	2 F/W	2 F/W
Vegetable/fruit crisper(s)	2	2	2	2	2	2	2	Divided	1 F/W
Snack pan	●	●							
Door shelves	3 w/ gallon storage	3 w/ gallon storage	2 (Tall Bottle)	2 (Tall Bottle)	2 (Tall Bottle)	2 (Tall Bottle)	2 (Tall Bottle)	2-1/2	4 (1 Tall Bottle)
Dairy compartment	●	●	●	●	●	●	●	●	
Interior light system	Single	Single	Single	Single	Single	Single	Single	Single	Single
Quiet Design	Deluxe	Deluxe	Deluxe	Deluxe	Deluxe	Deluxe	Deluxe	Deluxe	Deluxe
Automatic moisture control	●	●	●	●	●	●	●		
NeverClean™ condenser	●	●	●	●	●	●	●		
ENERGY STAR®	● / -					● / - / -			●
Freezer Features									
Factory-installed electronic icemaker & bin	Opt. (IM4)	●	Opt. (IM4)	Opt. (IM4) / ●	Opt. (IM4)	Opt. (IM4) / Opt. (IM4) / ●	Opt. (IM4)	Opt. (IM4)	
Ice 'N Easy trays	2		2	2 / -	2	2 / 2 / -	2	1	2
Ice storage bin		Ice Bucket		- / Ice Bucket		- / - / Ice Bucket			
Wire freezer compartment shelves	1 F/W (2 pos.)	1 F/W (2 pos.)							1 F/W
Fixed door shelves	2	2	2	2	2	2	2	2	2
Exterior									
Color(s) available*	WW, CC WW, CC, BB**	WW, CC	WW, CC	WW, CC, AA WW, CC	WW, CC	WW, CC WW, CC, AA WW, CC	WW, CC	WW, CC	WW
Door handle(s)*	CM	CM	Recessed	CM	Recessed	CM	Recessed	CM	Recessed
Customer installed handles	●	●							
Exterior design	Rounded Doors	Rounded Doors	Square Doors	Square Doors	Square Doors	Square Doors	Square Doors	Rounded Doors	Rounded Doors
Reversible doors	●	●	●	●	●	●	●	●	●
Choose right or left door opening	●	●	●	●	●	●	●	●	●
Adjustable rollers	Front	Front	Front	Front	Front	Front	Front		
Weights & Dimensions									
Height to top of hinge (in.) A	66-5/8	66-5/8	67-3/8	67-3/8	67-3/8	61-3/4	61-3/4	60-5/8	58-3/4
Height to top of case (in.) B	66-1/8	66-1/8	66-7/8	66-7/8	66-7/8	61-1/4	61-1/4	60-1/4	58-1/4
Height to mid-freezer (in.)	53-5/16	53-5/16	57	57	57	51-3/8	51-3/8	51-3/4	50
Case depth without door (in.) C	27-1/2	27-1/2	26-3/4	26-3/4	26-3/4	25-7/8	25-7/8	27-1/2	25
Depth less door handle (in.) D	30-1/4	30-1/4	30-1/2	30	30	29-1/8	29-1/8	30-1/4	27
Depth with door handle (in.) E	32-1/8	32-1/8	30-1/2	31-7/8	30	31	29-1/8	32	27
Depth w/fresh food door open 90° (in.) F	58-1/8	58-1/8	56-3/8	55-3/4	55-3/4	54-7/8	54-7/8	51-5/8	48-3/4
Width (in.) G	29-1/2	29-1/2	28	28	28	28	28	23-3/8	23-5/8
Width w/door open 90° less door handle (in.) H	30	30	28-7/8	28-5/8	28-5/8	28-5/8	28-5/8	24-1/8	24-1/8
Air clearances Each side (in.)	1/8	1/8	3/4	3/4	3/4	3/4	3/4	3/4	1
Top (in.)	1	1	1	1	1	1	1	2	3
Back (in.)	1	1	1	1	1	1	1	3/4	1
Approx. shipping weight (lbs.)	223	228	178	179 / 184	178	166 / 166 / 177	165	155	158

*Color(s) available: WW = White on white, CC = Bisque on bisque, AA = Almond on almond, CM = Color-Matched.
 **GTH18DBMBB and GTS18DBMBB only available with right door opening.

ALL MODELS AVAILABLE IN U.S. AND CANADA.

Top-Freezer No-Frost Refrigerator



Total volume and shelf area are calculated by the Association of Home Appliance Manufacturers' standards.



Listed by Underwriters Laboratories

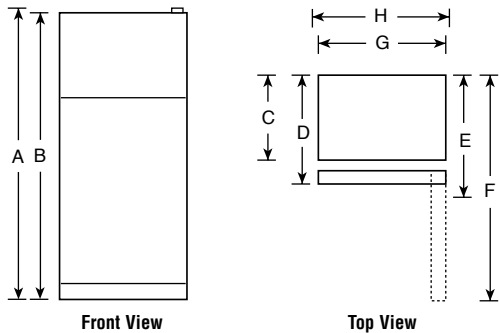
Note: All Top-Freezer No-Frost Right-Hand Refrigerator Doors: As you face the front of the refrigerator, the handle is on your left and the hinges are on your right.
All Top-Freezer No-Frost Left-Hand Refrigerator Doors: As you face the front of the refrigerator, the handle is on your right and the hinges are on your left.

GE Cycle and Manual Defrost Refrigerators

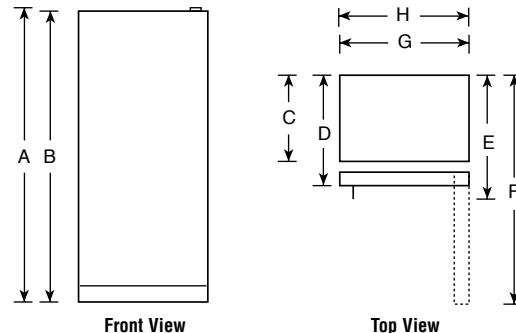
	GE	
	Cycle Defrost	Manual Defrost
	GFR12AAM	GMS10AAM
Capacity		
Total (cu. ft.)	11.7	9.7
Fresh food (cu. ft.)	9.04	8.74
Freezer (cu. ft.)	2.61	.97*
Shelf area (sq. ft.)	13.9	9.88
Features		
Ice 'N Easy trays	2	2
Freezer chiller tray with baffle		●
Cabinet shelves	2 Adj.	2 Adj.
Vegetable/fruit crisper	2	1 F/W
Door shelves	3	5 (2 Egg w/Pockets)
Tall bottle storage on door	●	●
Dairy compartment(s)	1 Full Door Width	1
Freezer compartment shelf(s)	1 F/W	1 F/W
Economical/Quiet		
Cabinet/door insulation	Foam	Foam
Cabinet/door liner	Plastic	Plastic
Appearance		
Color(s) available	White	White
Door handle(s)	White Recessed	Black
Reversible doors	●	
Right or left door opening		●
Weights & Dimensions		
Height to top of hinge (in.) A	59-1/2	58
Height to top of case (in.) B	59-5/16	57-9/16
Case depth without door (in.) C	26	21-3/8
Case depth with door less handle (in.) D	28	23-1/2
Case depth with door handle (in.) E	28	24-13/16
Depth with door open 90° less door handle (in.) F	50-1/8	44-13/16
Width (in.) G	23-1/2	23
Width w/door open 90° less door handle (in.) H	23-1/2	23-1/2
Air clearances Each side (in.)	1/4	5/8
Top (in.)	1	2
Back (in.)	2	1
Approx. shipping weight (lbs.)	139	135

*Compartment for short-term storage of frozen food. The frozen food compartment of this refrigerator will make ice, and pre-frozen foods can be stored for about **two weeks**. It will not effectively freeze fresh foods or provide long-term storage for meats, poultry, or fish.

Cycle Defrost Two-Door Refrigerator



Manual Defrost Single-Door Refrigerator



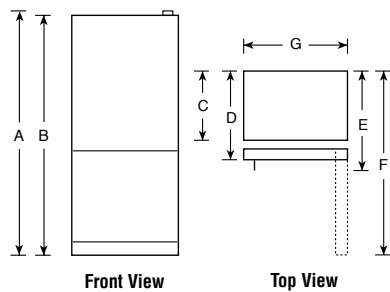
GE Profile™ and GE® Bottom-Freezer Refrigerators

	GE Profile			GE	
	PDS21SBM	PDS18LBM	PDS18SBM	GBS22LBM	GBS18KBM
Stainless steel model	●		●		
Capacity					
Total (cu. ft.)	20.5	18.1	18.1	21.7	18.1
Fresh food (cu. ft.)	14.38	13.44	13.44	15.25	13.44
Freezer (cu. ft.)	6.13	4.64	4.64	6.51	4.64
Shelf area (sq. ft.)	26.7	21.0	21.0	30.1	22.3
Fresh Food Features					
Brita® Filtered Water Door Module		●	●		
Cabinet shelves	4 Glass	4 Glass	4 Glass	4 Glass	4 Glass
Adjustable	4 Split	4 Split	4 Split	4 Split	4 Split
Slide-out	3	2	2	3	
Spill-proof	4	4	4	4	4
ShelfSaver™ rack	●	●	●	●	
Vegetable/fruit crisper(s)	2 Adj. Humidity	2 Adj. Humidity	2 Adj. Humidity	2 Adj. Humidity	2 Adj. Humidity
Snack pan	Clear	Clear	Clear	Clear	Clear
Modular gallon door bins	4 (non-gallon)	3	3	4 (non-gallon)	3
Snugger™ clip	●	●	●	●	●
Fixed door bins	1 F/W w/gal. storage	1 F/W w/gal. storage	1 F/W w/gal. storage	1 F/W w/gal. storage	1 F/W w/gal. storage
Dairy compartment	●	●	●	●	●
Interior light	Single	Dual	Dual	Single	Dual
Quiet Design	Deluxe	Deluxe	Deluxe	Deluxe	Deluxe
Automatic moisture control	●	●	●	●	●
NeverClean™ condenser		●	●		●
ENERGY STAR®	●				
Freezer Features					
Factory-installed electronic icemaker & bin	Opt. (UKKIT 3S)	Opt. (IM4)	Opt. (IM4)	Opt. (UKKIT 3S)	Opt. (IM4)
Ice 'N Easy trays	2	2	2	2	2
Ice tray shelf	●			●	
Ice storage bin	●			●	
Full slide-out wire basket(s)	2 F/W	1 F/W, 2 Split	1 F/W, 2 Split	1 F/W	1 F/W
Wire compartment shelves				1 F/W	2 Split
Door shelves				2 F/W	
Door can storage				●	
Interior light	●	●	●	●	●
Exterior					
Color(s) available*	BS	WW, CC, BB	BS	WW, CC, BB	WW, CC
Door handle(s)	Color-Matched Extruded	Color-Matched	Color-Matched	Color-Matched Extruded	Color-Matched
Customer installed handles		●		●	●
Exterior design	Square Doors	Rounded Doors	Rounded Doors	Square Doors	Rounded Doors
Door stops	●	●	●	●	●
Reversible doors	●	●		●	●
Choose left or right door opening			●		
Adjustable rollers	Front	Front	Front	Front	Front
Weights & Dimensions					
Height to top of hinge (in.) A	68-3/8	66-1/4	66-1/4	68-3/8	66-1/4
Height to top of case (in.) B	67-5/8	65-3/4	65-3/4	67-5/8	65-3/4
Case depth without door (in.) C	28-3/4	25-1/4	25-1/4	28-3/4	25-1/4
Depth less door handle (in.) D	31-1/2	28	28	33	28
Depth with door handle (in.) E	32-5/8	30-3/8	30-3/8	34-5/8	30-3/8
Depth w/door open 90° (in.) F	63-1/8	57-3/4	57-3/4	64-1/2	57-3/4
Width (in.) G	32-5/8	31	31	32-5/8	31
Side clearance for 90° door open		2-3/8	2-3/8	1	2-1/4
Air clearances Each side (in.)	3/16	0	0	3/16	0
Top (in.)	1	1	1	1	1
Back (in.)	1	1/2	1/2	1	1/2
Approx. shipping weight (lbs.)	326	257	257	325	257

*Color(s) available: BS = Black case with stainless steel doors, WW = White on white, CC = Bisque on bisque, BB = Black on black.

ALL MODELS AVAILABLE IN U.S. AND CANADA.

Bottom-Freezer Refrigerators



Total volume and shelf area are calculated by the Association of Home Appliance Manufacturers' standards.

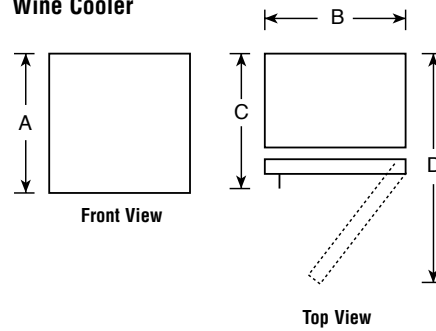


Listed by Underwriters Laboratories

GE Wine Cooler

GE	
GWR03AAM	
Capacity	
Total (cu. ft.)	2.4
Bottle capacity	24 Maximum
Features	
Adjustable temperature control (45-65°F)	Knob
See through door	●
Door design	Flat
Pull out and adjustable racks	4
External condenser	●
Appearance	
Color(s) available	Black case and trim
Free-standing	●
Meets California Energy Commission (CEC) requirements	●
Cabinet liner color	White
Weights & Dimensions	
Height (in.) A	25-1/4
Width (in.) B	18-5/8
Depth with handle (in.) C	19-3/8
Depth with door open 90° (in.) D	37-1/4
Air clearances Back (in.)	5
Approx. shipping weight (lbs.)	51

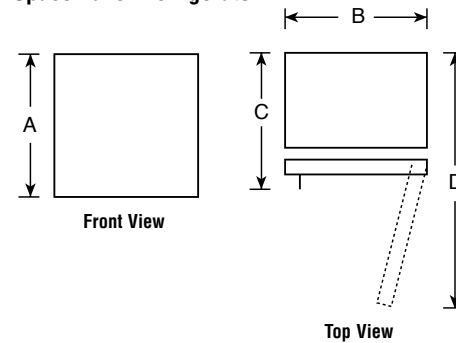
Wine Cooler



GE Spacemaker™ Compact Refrigerators

GE		GMR06AAM	GMR04BAN	GMR02BAN
Capacity				
Total (cu. ft.)		6.0	4.3	1.7
Fresh food (cu. ft.)		5.51	3.89	1.51
Freezer (cu. ft.)		.49**	.42**	.21**
Shelf area (sq. ft.)		8.8	6.0	2.9
Features				
Ice 'N Easy trays		2 Mini	1 Mini	1 Mini
Manual defrost		●	●	●
Cabinet shelves (wire)		2 Adj.	2-1/2 Adj.	1
Can rack			●	
Door shelves		3 F/W	1 F/W, 2 half-width	1 F/W, 1 half-width
Interior light		●		
Economical/Quiet				
Cabinet/door insulation		Foam	Foam	Foam
Cabinet/door liner		HIPS	ABS	ABS
Appearance				
Color(s) available*		WW	WW, BB	WW, BB
Door handles		White Visor	Color-Matched Recessed	Color-Matched Recessed
Rounded doors			●	●
Reversible doors		●		
Weights & Dimensions				
Height (in.) A		34-1/4	33-1/4	18-15/16
Width (in.) B		23-5/8	20-11/16	17-1/2
Depth with handle (in.) C		25-7/8	21-3/4	19-1/4
Depth with door open 90° (in.) D		47-1/2	40-1/4	35-1/2
Air clearances Each side (in.)		0†	1/2	1/2
Top (in.)		1-1/2	2	2
Back (in.)		3/4	2	2
Approx. shipping weight (lbs.)		88	79	51
Accessories				
Custom trim and black panel		TK6 Optional		

Spacemaker Refrigerator



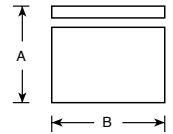
*Color(s) available: WW = White on white, BB = Black on black.

Compartment for short-term storage of frozen food. The frozen food compartment of this refrigerator will make ice, and pre-frozen foods can be stored for about **two weeks. It will not effectively freeze fresh foods or provide long-term storage for meats, poultry, or fish.

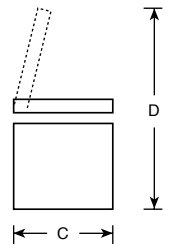
† If installed against a wall, allow 1-1/4" on hinge side to allow for proper door opening.

GE® Chest Freezers

	GE®							
	FCM25RM	FCM20DM	FCM15DM	FCM15SM	FCM9DM	FCM7DN	FCM5DM	FCM5SM
Capacity								
Total volume (cu. ft.)	25.1	19.7	14.8	14.8	8.8	7.0	5.0	5.0
Features								
Manual defrost	●	●	●	●	●	●	●	●
Temperature control	Adjustable	Adjustable	Adjustable	Adjustable	Adjustable	Adjustable	Adjustable	Adjustable
Power "ON" light						●	●	
Wraparound condenser	●	●	●	●	●	●	●	●
Wraparound evaporator	●	●	●	●	●	●	●	●
Limited food loss warranty	●	●	●	●	●	●		
Upfront defrost water drain	●	●	●	●	●	●	●	●
Interior light	●	●	●	●	●			
Lock	●	●	●		●	●	●	
Lift-out and sliding bulk storage basket(s)	4	3	2	1	2	2	2	1
Economical/Quiet								
Insulation (cabinet and lid)–Foam	●	●	●	●	●	●	●	●
Cabinet liner	Steel Epoxy-Coated	Steel Epoxy-Coated	Steel Epoxy-Coated	Steel Epoxy-Coated	Steel Epoxy-Coated	Textured Aluminum	Textured Aluminum	Textured Aluminum
Appearance								
Color available	White	White	White	White	White	White	White	White
Handle	●	●	●	Recessed	●	Recessed	Recessed	Recessed
Textured steel case and lid	●	●	●	●	●			
Weights & Dimensions								
Height (in.) A	35	35	35	35	34-1/4	33-1/8	33	33
Width (in.) B	73-7/8	61-1/4	48	48	41	38	29-1/8	29-1/8
Depth (in.) C	28-3/4	29-1/2	29-1/2	29-1/2	23-1/4	22-3/8	22-3/16	22-3/16
Height with lid open (in.) D	59-3/4	60-3/4	60-3/4	60-3/4	54-1/4	53-1/4	53-3/16	53-3/16
Air clearances	3	3	3	3	3	3	3	3
Each side (in.)								
Back (in.)	3	3	3	3	3	3	3	3
Approx. shipping weight (lbs.)	245	195	161	161	127	126	101	101



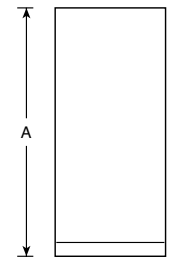
Front View



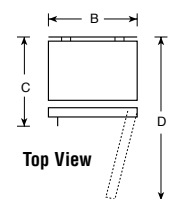
Side View

GE Upright Freezers

	GE							
	Frost-Free			Manual Defrost				
	FUF20DM	FUF17DM	FUF14DM	FUM21DM	FUM17DM	FUM14DM	FUM14SM	FUM5SM
Capacity								
Total volume (cu. ft.)	20.3	16.7	13.7	20.6	17.1	14.1	14.1	5.0
Shelf area (sq. ft.)	23.9	18.4	14.3	25.3	19.1	17.9	15.0	6.0
Features								
Temperature control	Adjustable	Adjustable	Adjustable	Adjustable	Adjustable	Adjustable	Adjustable	Adjustable
Limited food loss warranty	●	●	●	●	●	●	●	●
Door shelves (total)	6	5	5	6	5	5	5	3
Defrost water drain				●	●	●	●	
Interior light	●	●	●	●	●	●		
Lock	●	●	●	●	●	●		
Cabinet shelves (total)	5 (3 Adj.)	4 (3 Adj.)	3 (2 Adj.)	5 (1 Adj.)	4 (1 Adj.)	4 (1 Adj.)	3	2
Slide-out bulk storage basket	1	1	1	1	1	1		
Economical/Quiet								
Defrost	Frost-Free	Frost-Free	Frost-Free	Manual	Manual	Manual	Manual	Manual
Magnetic door gasket	●	●	●	●	●	●	●	●
Cabinet liner	Baked enamel-on-steel	Baked enamel-on-steel	Baked enamel-on-steel	Baked enamel-on-steel	Baked enamel-on-steel	Baked enamel-on-steel	Baked enamel-on-steel	Polystyrene
Wraparound condenser	●	●	●	●	●	●	●	●
Appearance								
Color available	White	White	White	White	White	White	White	White
Door handle	●	●	●	●	●	●	Recessed	Recessed
Textured steel case/door	●	●	●	●	●	●	●	●
Weights & Dimensions								
Height (in.) A	70	64-1/2	59	70	64-1/2	59	59	33-1/2
Width (in.) B	32	32	28	32	32	28	28	21-3/8
Depth (in.) C	28-1/2	26-1/2	28-1/2	28-1/2	26-1/2	28-1/2	28-1/2	26-1/8
Depth with door open 90° (in.) D	59-1/8	57-1/8	55-1/8	59-1/8	57-1/8	55-1/8	55-1/8	45-3/4
Air clearances	3	3	3	3	3	3	3	1
Each side (in.)								
Top (in.)	3	3	3	3	3	3	3	4
Back (in.)	3	3	3	3	3	3	3	4
Approx. shipping weight (lbs.)	235	213	186	224	200	177	177	80



Front View



Top View

Create a Custom Look for Your GE Refrigerator

Decide from a choice of GE optional Panels and Trim to create a distinctive appearance for your new refrigerator. Pre-cut panels in Stainless steel, Black, White or Bisque provide an exciting way to express your individual taste and preference while complementing your kitchen.

GE Profile CustomStyle™ Side-By-Side Refrigerators

Acrylic and Stainless Steel Panels

Model No.	Black Acrylic Panels	White Acrylic Panels	Bisque Acrylic Panels	Stainless Steel Panels
PSI23NCN	PSPK23CBB	PSPK23CWW	PSPK23CCC	—
PSI23MGN	PSPK23DBB	PSPK23DWW	PSPK23DCC	PSPK23DSS
PSI23NGN	PSPK23DBB	PSPK23DWW	PSPK23DCC	PSPK23DSS

Collar Trim

Model No.	Black Collar Trim	White Collar Trim	Bisque Collar Trim	Stainless Steel Collar Trim
PSI23NCN	TRMBISBB	TRMBISWW	TRMBISCC	TRMBISSS
PSI23SCN	TRMBISBB	TRMBISWW	TRMBISCC	TRMBISSS
PSI23MGN	TRMBISBB	TRMBISWW	TRMBISCC	TRMBISSS
PSI23NGN	TRMBISBB	TRMBISWW	TRMBISCC	TRMBISSS
PSI23SGN	TRMBISBB	TRMBISWW	TRMBISCC	TRMBISSS

GE Profile CustomStyle Top-Freezer No-Frost Refrigerators

Acrylic Panels and Trim

Model No.	Black Acrylic Panels	White Acrylic Panels	Stainless Steel Panels	Black Collar Trim	White Collar Trim	Stainless Steel Trim
PTI22MBM	PTPK22CBB	PTPK22CWW	PTPK22CSS	TRMBISBB	TRMBISWW	TRMBISSS
PTI22MFM	PTPK22DBB	PTPK22DWW	PTPK22DSS	TRMBISBB	TRMBISWW	TRMBISSS

GE Spacemaker™ Compact Refrigerator

TK6 Trim

- Panel is black painted aluminum
- Trim is black plastic that covers entire side of door
- 1/4" wood can also be used with the trim

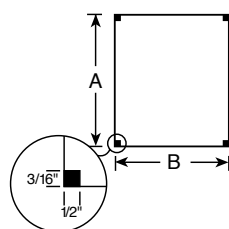
Order your own custom door panel to match cabinetry or other decor.

- Maximum panel thickness 1/4"
- Minimum panel thickness 1/8"

Notch all four corners of panel

Custom Trim

Model No.	Black Trim No.	Custom Panel Insert Cut-Out Dimensions (Inches)	
		A	B
GMR06AAM	TK6	29	22-3/4



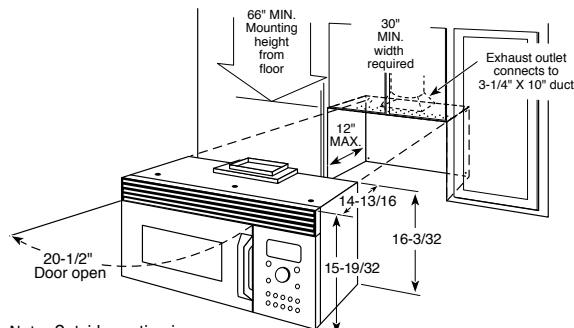
Advantium™ Above-the-Cooktop Ovens

	GE Profile™
	SCA2001BSS SCA2000BWW SCA2000BCC SCA2000BBB
Features	
Stainless steel oven interior	●
Family size oven	●
Oven controls:	
Electronic scrolling display	●
Over 100 preprogrammed menu items	●
Repeat last	●
Help mode	●
Demo mode	●
Interior oven light	●
Beeper sound level control	●
Variable scroll speed	●
Custom recipe saver	●
Cooking complete reminder	●
Child lockout	●
Two-speed high-capacity exhaust fan	●
Full-view cooktop lighting	●
Programmable night light	●
Frameless glass oven door with window	●
Microwave oven features:	
Sensor	●
Defrost - Auto/Time	●
Microwave power output watts	950
Appearance	
Color appearance	Stainless steel White on white Bisque on bisque Black on black
Weights & Dimensions	
Approx. shipping weight (lbs.)	101
Overall oven interior dimensions (in inches)	
Height	8-13/32
Width	18-29/32
Depth	13-19/32
Overall dimensions (in inches)	
Exterior height (front)	15-19/32
Exterior height (rear)	16-3/32
Exterior width	29-7/8
Exterior depth (not including handle)	14-13/16
Power/Ratings	
Amps @ 240V/208V	30
Accessories	
Cookbook	●
Cooking guide	●
Grill tray	●
Cooking tray	●
White ceramic tray	●
Recirculating charcoal filter kit (optional)	JX81A
Warranty	
Full one-year in-home warranty*	●
Full ten-year lamp warranty*	●
Limited nine-year magnetron warranty*	●

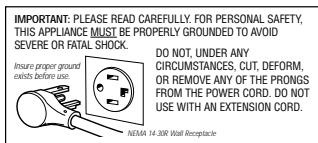
Filler panel kits
JX40WH-White
JX40CT-Bisque
JX41-Black

Decorative panel kit
JX22SS-Stainless steel

Advantium Above-the-Cooktop Oven Dimensions (in inches)



Note: Outside venting is optional. Vent (duct) can be horizontal or vertical.

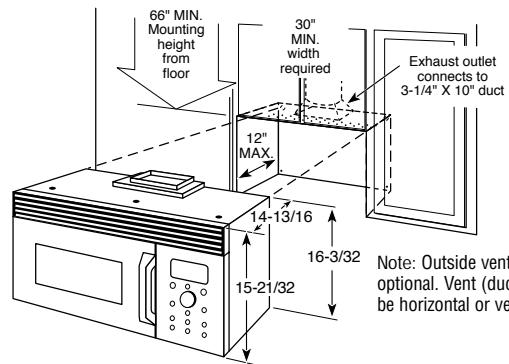


See page 162 for warranty information.

Advantium™ 120 Above-the-Cooktop Ovens

	GE Profile
	SCA1001FSS SCA1000DWW SCA1000DCC SCA1000DBB
Features	
Stainless steel oven interior	●
Family size oven	●
Cooking modes:	
Speedcook	●
Traditional oven	●
Microwave oven	●
Warming	●
E-Z installation	●
Oven controls:	
Electronic scrolling display	●
Over 100 preprogrammed menu items	●
Repeat last	●
Help mode	●
Demo mode	●
Interior oven light	●
Beeper sound level control	●
Variable scroll speed	●
Custom recipe saver	●
Cooking complete reminder	●
Child lockout	●
Two-speed high-capacity exhaust fan	●
Intake air/grease filter	●
Full-view cooktop lighting	●
Programmable night light	●
Frameless glass oven door with window	●
Microwave oven features:	
Sensor	●
Defrost - Auto/Time	●
Microwave power output watts	900
Appearance	
Color appearance	Stainless steel White on white Bisque on bisque Black on black
Weights & Dimensions	
Approx. shipping weight (lbs.)	95
Overall oven interior dimensions (in inches)	
Height	8-7/32
Width	21-3/32
Depth	14-3/32
Overall dimensions (in inches)	
Exterior height (front)	15-21/32
Exterior height (rear)	16-3/32
Exterior width	29-7/8
Exterior depth (not including handle)	14-13/16
Power/Ratings	
Input volt/hertz	120/60
Input amps/watts (max)	15/1800
Accessories	
Cookbook	●
Cooking guide	●
Cooking tray	●
Recirculating charcoal filter kit (optional)	JX81A
Warranty	
Full one-year in-home warranty*	●
Full three-year lamp warranty*	●
Limited ten-year magnetron warranty*	●

Advantium 120 Above-the-Cooktop Oven Dimensions (in inches)



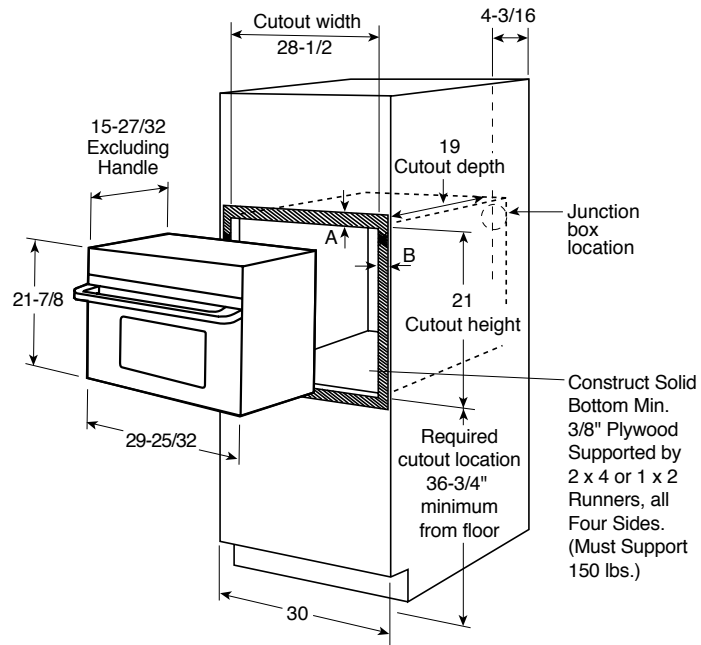
Note: Outside venting is optional. Vent (duct) can be horizontal or vertical.

Advantium Wall Ovens

	GE Profile
	SCB2001CSS SCB2000CWW SCB2000CCC SCB2000CBB
Features	
Stainless steel oven interior	●
Family size oven	●
Oven controls:	
Electronic scrolling display	●
Over 100 preprogrammed menu items	●
Repeat last	●
Help mode	●
Demo mode	●
Interior oven light	●
Beeper sound level control	●
Variable scroll speed	●
Custom recipe saver	●
Cooking complete reminder	●
Child lockout	●
Frameless glass oven door with window	●
Microwave oven features:	
Sensor	●
Defrost - Auto/Time	●
Microwave power output watts	950
Appearance	
	Stainless steel White on white Bisque on bisque Black on black
Weights & Dimensions	
Approx. shipping weight (lbs.)	101
Overall oven interior dimensions (in inches)	
Height	8-13/32
Width	18-29/32
Depth	13-19/32
Overall dimensions (in inches)	
Exterior height	21-7/8
Exterior width	29-25/32
Exterior depth (not including handle)	15-27/32
Oven cabinet width required (in inches)	
Cutout height	21
Cutout width	28-1/2
Cutout depth	19
Power/Ratings	
Amps @ 240V/208V	30
Accessories	
Cookbook	●
Cooking guide	●
Grill tray	●
Cooking tray	●
White ceramic tray	●
Warranty	
Full one-year in-home warranty*	●
Full ten-year lamp warranty*	●
Limited nine-year magnetron warranty*	●

*See written warranty for details.

Advantium Wall Oven Dimensions and Cabinet Installation (in inches)



A=Allow 1" overlap of oven over top and bottom edges of cutout.
 B=Allow 11/16"-3/4" for overlap of oven over side edges of cutout.

Note: Cabinets installed adjacent to wall ovens must have an adhesion spec of at least 194° F temperature rating.

Most 30" Wall Cabinets can be used with this unit.

Note: 2" minimum between cutouts when installed above warming drawer or single wall oven.

Wall oven trim kits
 SC20WW-White
 SC20CC-Bisque
 SC20BB-Black

30" Built-In Double Ovens

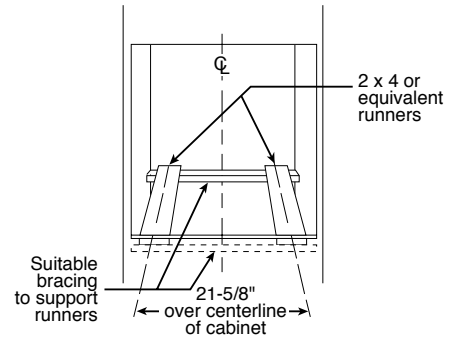
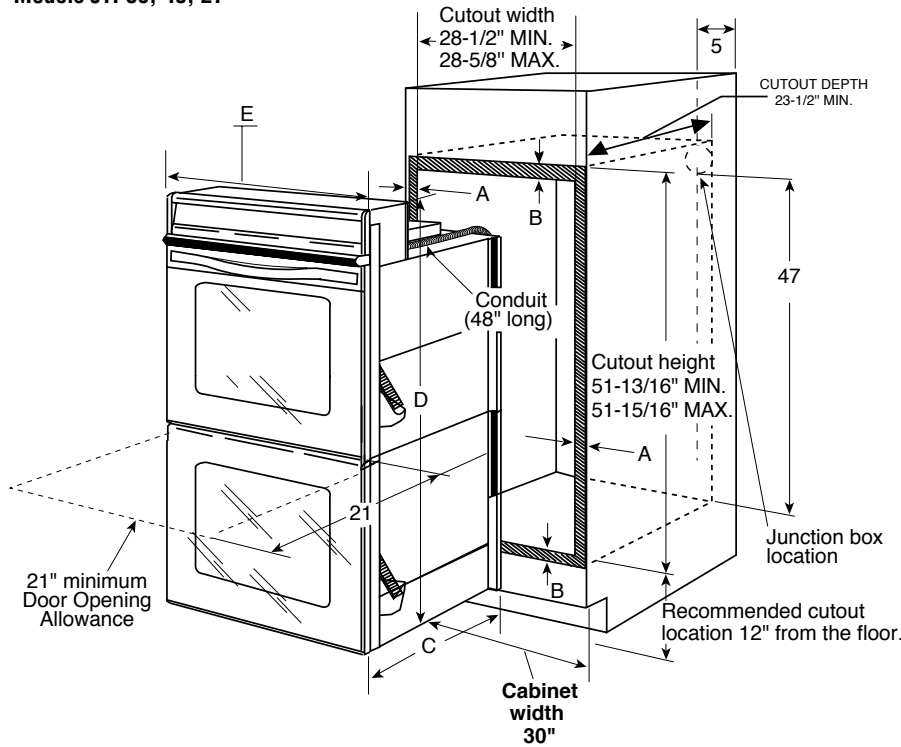
	GE Profile™	GE®		GE Profile	GE
	Convection Double Ovens	Double Ovens		Microwave Double Ovens	Microwave Double Ovens
	JTP56SD JTP56WD JTP56CD JTP56BD	JTP45SD JTP45WD JTP45CD JTP45BD	JTP27WD JTP27BD	JTP95WD JTP95BD	JTP85WD JTP85BD
Features					
Upper	Convection/ Self-Clean	Self-Clean	Self-Clean	Microwave	Microwave
Oven interior Lower	Thermal/ Self-Clean	Self-Clean	Standard	Convection/ Self-Clean	Self-Clean
Cleaning time	Variable	Variable	Variable (upper)	Variable (lower)	Variable (lower)
Automatic self-clean oven door lock	●	●	Upper	Lower	Lower
Self-clean oven w/Delay Clean option	●	●	Upper	Lower	Lower
TrueTemp™ System	●	●	Upper	Lower	Lower
CleanDesign oven interior	●			Lower	
Variable broil/Six-pass broil element	●	●	●	Lower	Lower
SmartSet Controls	●	●	Upper	●	●
Proofing	●				
Convection conversion	Upper			Lower	
Convection Bake	Upper			Lower	
Convection Roast	Upper			Lower	
Automatic meat thermometer	Upper			Lower	
Temperature display	●	●	Upper	Lower	●
Start pad	●	●	Upper	●	●
Delay Bake option w/Cook & Hold	●	●	Upper	Lower	Lower
C° or F° programmable	●	●	Upper	Lower	Lower
Audible preheat signal	●	●	Upper	Lower	Lower
Auto oven shut-off w/override	●	●	Upper	Lower	Lower
Electronic clock and kitchen timer	●	●	●	●	●
Control lock capability	●	●	Upper	Lower	Lower
Oven light	Halogen	●	●	Halogen Lower	Lower
Certified Sabbath mode	●	●	Upper		
Microwave oven features:					
Microwave cooking timer				99-Min./99-Sec.	99-Min./99-Sec.
Microwave power levels				10	10
Sensor functions				6	3
Electronic MWO touch controls				●	●
Microwave oven cavity (cu. ft.)				1.6	1.6
MWO power output watts				1000	1000
Turntable				●	●
Upper	3 Heavy-Duty	2	2		
Oven racks Lower	2 Heavy-Duty	2	2	3 Heavy-Duty	2
Embossed rack positions	7 Upper/6 Lower	6 Upper/Lower	6 Upper/Lower	7 Lower	6 Lower
Roasting rack	Upper			Lower	
Broiler pan with grid	●	●	●	Lower	Lower
Appearance					
Color appearance*	SS WW CC BB	SS WW CC BB	WW BB	WW BB	WW BB
Frameless oven doors	Stainless White Glass Bisque Glass Black Glass	Stainless White Glass Bisque Glass Black Glass	White Glass Black Glass	White Glass Black Glass	White Glass Black Glass
Big ClearView™ windows	●	●	●	Lower	Lower
Lift-off oven doors	●	●	●	Lower	Lower
Designer-style handles	Integrated	Sure Grip	Sure Grip	Integrated	Sure Grip
Flush appearance installation	●	●	●	●	●
Weights & Dimensions					
Approx. shipping weight (lbs.)	250	250	250	250	250
Oven cabinet width required (in.)	30	30	30	30	30
Overall dimensions (WxHxD in inches)	← 29-3/4 x 52-7/8 x 23-1/2 →			← 29-3/4 x 43-1/2 x 23-1/2 →	
Overall oven interior dimensions (WxHxD in inches) Upper	24 x 16-1/4 x 18-1/4	← 24 x 17-1/2 x 18-1/4 →		← 16-1/4 x 9-5/8 x 15-3/4 →	
Lower	24 x 16-1/4 x 18-1/4	← 24 x 17-1/2 x 18-1/4 →		24 x 16-1/4 x 18-1/4	24 x 17-1/2 x 18-1/4
Power/Ratings					
KW rating @ 240V	7.2	7.2	8.8	6.6	6.6
208V	5.4	5.4	6.6	5.3	5.3
Amps @ 240V	40	40	40	30	30
208V	30	30	40	30	30
Convection wattage	2500			2500	
Broiler/bake wattage	3600/2700	3600/3410	3600/3410	3600/2700	3600/3410

*SS = Stainless Steel, WW = White on white, CC = Bisque on bisque, BB = Black on black.



30" Built-In Double Ovens (continued)

30" Built-In Double Oven Dimensions (in inches) Models JTP56, 45, 27



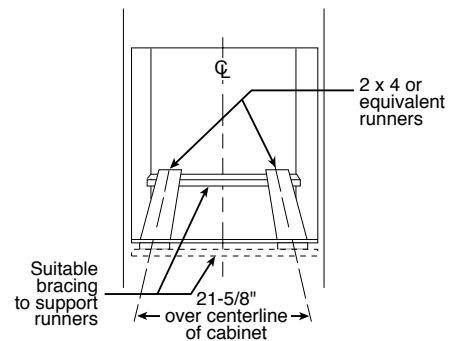
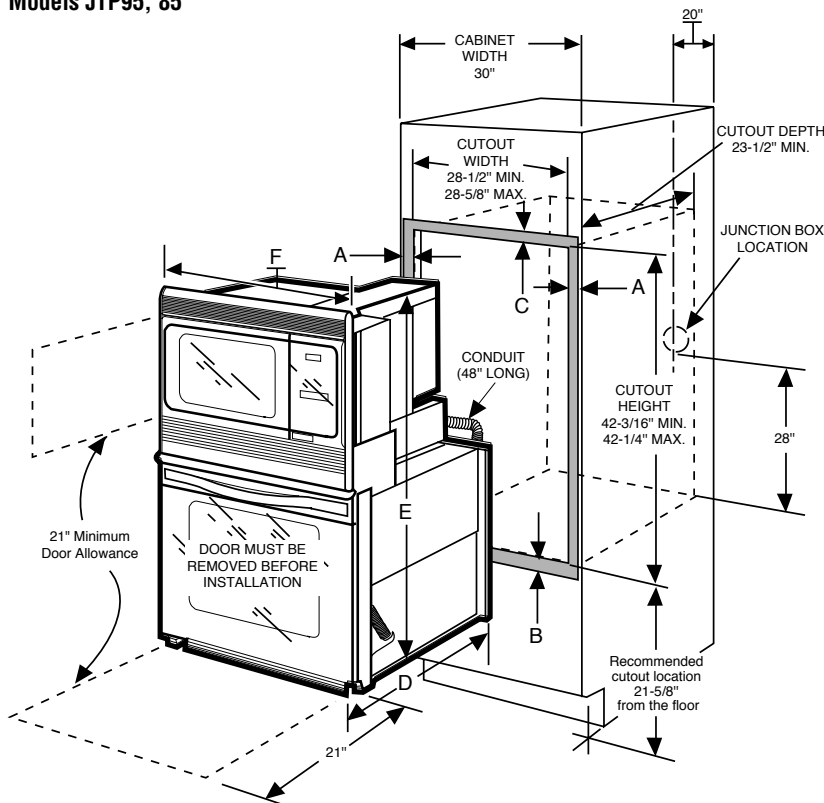
(Must support 275 lbs.)

Cabinet	
A - Overlap of Oven Over Side Edges of Cutout	11/16" - 3/4"
B - Overlap of Oven at Top and Bottom of Cutout	1"
Oven	
C - Overall Depth	23-1/2"
D - Overall Height	52-7/8"
E - Overall Width	29-3/4"

Note: Cabinets installed adjacent to wall ovens must have an adhesion spec of at least a 194°F temperature rating.

MOST 30" WALL CABINETS CAN BE USED WITH THIS UNIT
THE OPENING BETWEEN THE INSIDE WALLS MUST BE AT LEAST 28-1/2" WIDE

30" Built-In Microwave Double Oven Dimensions (in inches) Models JTP95, 85



(Must support 275 lbs.)

Cabinet	
A - Overlap of Oven Over Side Edges of Cutout	11/16"
B - Overlap of Oven at Bottom of Cutout	1"
C - Overlap of Oven at Top of Cutout	1/2"
Oven	
D - Overall Depth	23-1/2"
E - Overall Height	43-1/2"
F - Overall Width	29-3/4"

Note: Cabinets installed adjacent to wall ovens must have an adhesion spec of at least a 194°F temperature rating.

MOST 30" WALL CABINETS CAN BE USED WITH THIS UNIT
THE OPENING BETWEEN THE INSIDE WALLS MUST BE AT LEAST 28-1/2" WIDE

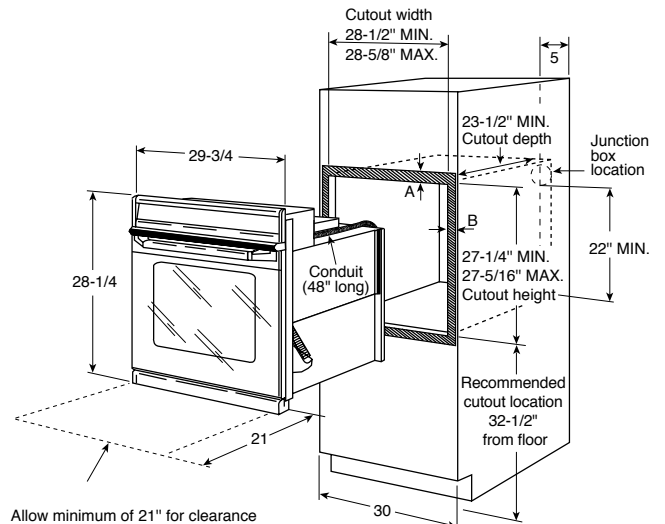
Installation Information: Before installing, consult installation instructions packed with product for current dimensional data.

30" Built-In Single Ovens

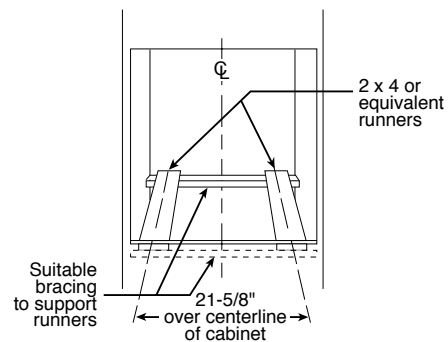
	GE Profile™	GE®
	Convection Single Ovens	Single Ovens
	JTP18SD JTP18WD JTP18CD JTP18BD	JTP15SD JTP15WD JTP15CD JTP15BD
Features		
Oven interior	Convection/Self-Clean	Self-Clean
Cleaning time	Variable	Variable
Automatic self-clean oven door lock	●	●
Self-clean oven w/Delay Clean option	●	●
TrueTemp™ system	●	●
CleanDesign oven interior	●	●
Variable broil/Six-pass broil element	●	●
SmartSet Controls	●	●
Proofing	●	●
Convection conversion	●	●
Convection Bake	●	●
Convection Roast	●	●
Automatic meat thermometer	●	●
Temperature display	●	●
Start pad	●	●
Delay Bake option with Cook & Hold	●	●
C° or F° programmable	●	●
Audible preheat signal	●	●
Auto oven shut-off w/override	●	●
Electronic clock and kitchen timer	●	●
Control lock capability	●	●
Oven light	Halogen	●
Certified Sabbath mode	●	●
Oven racks	3 Heavy-Duty	2
Embossed rack positions	7	6
Roasting rack	●	●
Broiler pan with grid	●	●
Appearance		
	SS WW CC BB	SS WW CC BB
Color appearance*	Stainless White Glass Bisque Glass Black Glass	Stainless White Glass Bisque Glass Black Glass
Frameless oven door	●	●
Big ClearView™ window	●	●
Lift-off oven door	●	●
Designer-style handle	Integrated	Sure Grip
Flush appearance installation	●	●
Undercounter installation	●	●
Weight & Dimensions		
Approx. shipping weight (lbs.)	135	130
Oven cabinet width required (in.)	30	30
Overall dimensions (WxHxD in inches)	29-3/4 x 28-1/4 x 23-1/2	
Overall oven interior dimensions (WxHxD in inches)	24 x 16-1/4 x 18-1/4	24 x 17-1/2 x 18-1/4
Power/Ratings		
KW rating @ 240V	3.6	3.6
208V	2.7	2.7
Amps @ 240V	20	20
208V	20	20
Convection wattage	2500	
Broiler/bake wattage	3600/2700	3600/3410

*SS = Stainless Steel, WW = White on white, CC = Bisque on bisque, BB = Black on black.

30" Built-In Single Oven Dimensions (in inches) Single Oven Wall-Mount or Cabinet Installation (in inches)



Allow minimum of 21" for clearance to adjacent corners, drawers, walls, or etc.
A=Allow 1" overlap of oven over top and bottom edges of cutout.
B=Allow 11/16"-3/4" for overlap of oven over side edges of cutout.



(Must support 275 lbs.)

Most 30" Wall Cabinets can be used with this unit.

Note: These ovens are *not* approved for stackable or side-by-side installations.

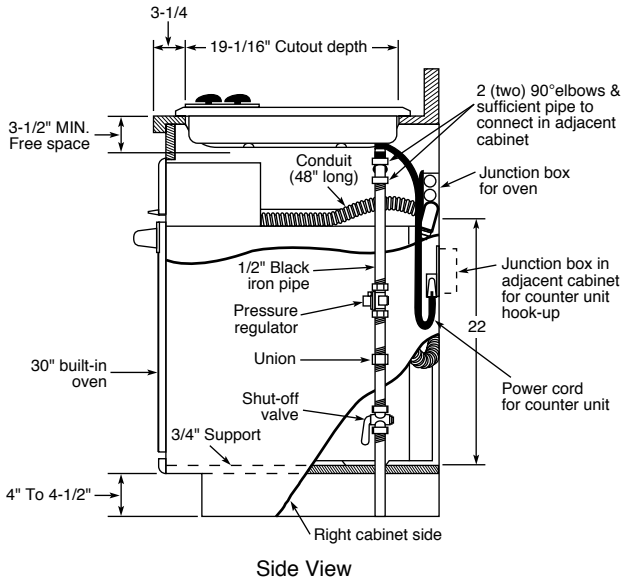
Note: Cabinets installed adjacent to wall ovens must have an adhesion spec of at least a 194°F temperature rating.



Listed by Underwriters Laboratories

30" Built-In Single Ovens (continued)

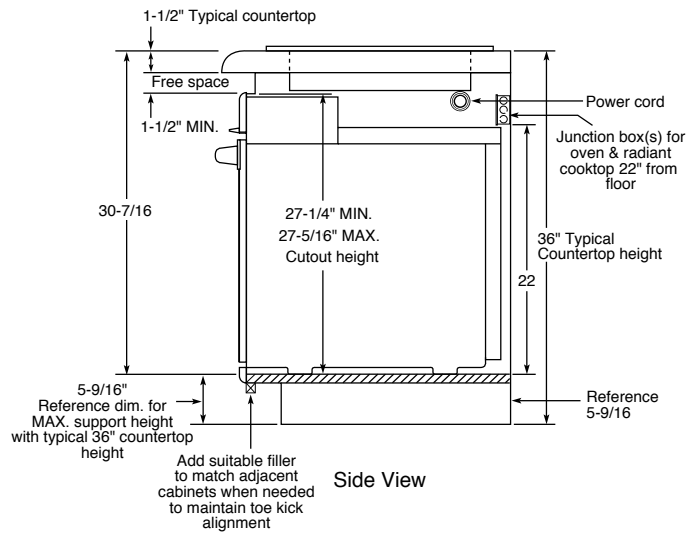
Optional Undercounter Installation With 36" Gas Cooktop (in inches)



Side View

Note: For standard or sealed burner cooktop installation information over the 30" wall oven, refer to 27" wall oven installation, page 49.

Optional Undercounter Installation With 30" CleanDesign or Sealed Burner Gas Cooktop (in inches)



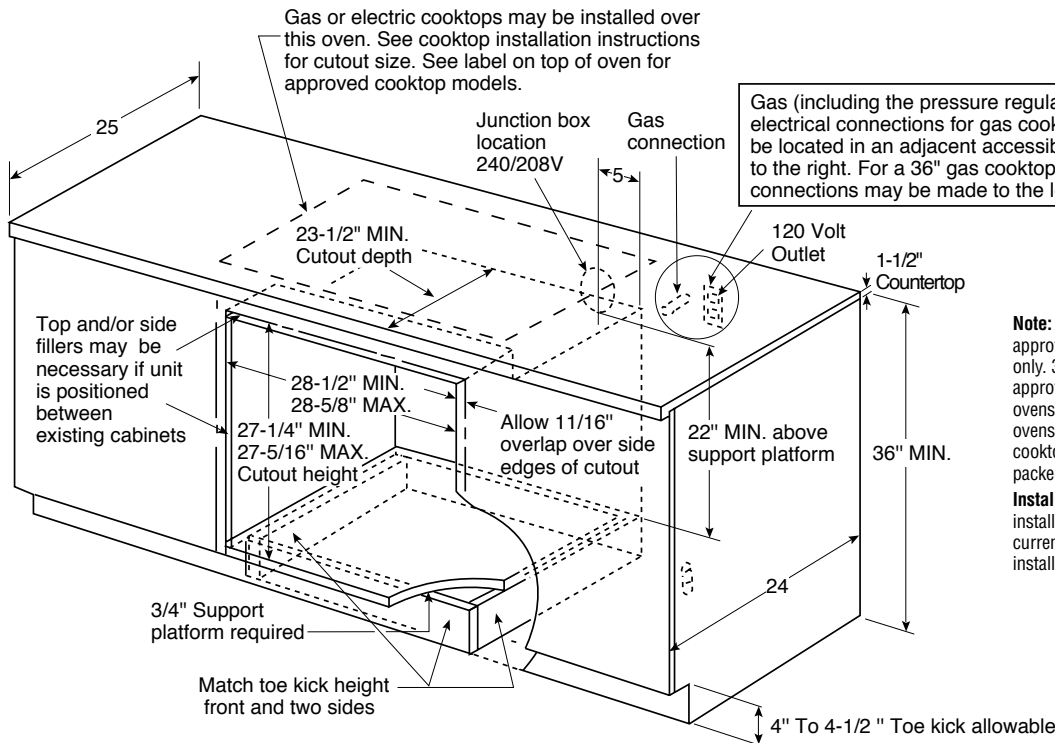
Side View

This installation is to achieve minimum gap between bottom of countertop and control panel.

Note: For this installation, the bottom trim **will not** be flush with a typical 4" toe kick.

Note: Cabinets installed adjacent to wall ovens must have an adhesion spec of at least a 194°F temperature rating.

Undercounter Installation (in inches)



Gas (including the pressure regulator) and electrical connections for gas cooktop must be located in an adjacent accessible location to the right. For a 36" gas cooktop, the connections may be made to the left.

Note: 36" ribbon cooktops (excluding JP968) are approved for use over GE 30" single wall ovens only. 30" ribbon cooktops (excluding JP938) are approved for use over GE 30" and GE 27" single wall ovens. Model JP938 can be installed over 27" wall ovens except stainless model JKP18SD. Refer to cooktop and wall oven installation information packed with products for current dimensional data.
Installation Information: Before installing, consult installation instructions packed with product for current dimensional data and for alternate installation options.

27" and 24" Built-In Double Ovens

	GE Profile™		GE®			
	27" Convection Double Ovens		27" Double Ovens		27" Microwave Double Ovens	24" Double Oven
Oven Features	JKP56SD JKP56WD JKP56CD JKP56BD	JKP45WD JKP45CD JKP45BD	JKP27WD JKP27BD	JKP85WD JKP85BD	JRP24BD	
Features						
Oven	Upper Oven	Convection/Self-Clean	Self-Clean	Self-Clean	Microwave	Self-Clean
interior	Lower Oven	Self-Clean	Self-Clean	Standard	Self-Clean	Standard
Variable cleaning time	●	●	●	Upper	Lower	Upper
Self-clean oven	●	●	●	Upper	Lower	Upper
Automatic self-clean oven door lock	●	●	●	Upper	Lower	Upper
Delay Clean option	●	●	●	Upper	Lower	Upper
TrueTemp™ System	●	●	●	Upper	Lower	Upper
CleanDesign oven interior	●	●	●	Upper	Lower	Upper
Variable broil	●	●	●	●	Lower	Upper
SmartSet Controls	●	●	●	Upper	Lower	Upper
Proofing	Upper					
Convection conversion	Upper					
Convection Bake	Upper					
Convection Roast	Upper					
Auto. meat thermometer	Upper					
Temperature display	●	●	●	Upper	●	Upper
Start pad	●	●	●	Upper	●	Upper
Cook & Hold	●	●	●	Upper	●	Upper
Delay Bake option	●	●	●	Upper	Lower	Upper
C° or F° programmable	●	●	●	Upper	Lower	Upper
Audible preheat signal	●	●	●	●	Lower	●
Auto oven shut-off w/override	●	●	●	Upper	Lower	Upper
Electronic clock and kitchen timer	●	●	●	●	●	●
Control lock capability	●	●	●	Upper	Lower	Upper
Oven light	Halogen	●	●	●	●	●
Certified Sabbath mode	●	●	●	Upper		
Microwave oven features:						
Microwave cooking timer					99-Min./99-Sec.	
Microwave power levels					10	
Sensor functions					3	
Electronic MWO touch controls					●	
Microwave oven cavity (cu. ft.)					1.6	
MWO power output watts					1000	
Turntable					●	
Oven racks	3 Heavy-Duty Upper 2 Heavy-Duty Lower	2 Upper/Lower	2 Upper/Lower	2-Lower	2 Upper/Lower	
Embossed rack positions	4	4	4			
Roasting rack	Upper					
Broiler pan with grid	●	●	●	●	●	●
Appearance						
Color appearance*	SS WW CC BB	WW CC BB	WW BB	WW BB	BB	
Frameless oven doors	Stainless White Glass Bisque Glass Black Glass	White Glass Bisque Glass Black Glass	White Glass Black Glass	White Glass Black Glass	Black Glass	
Big ClearView™ windows	●	●	●	●	Standard	
Lift-off oven door	Lower	●	●	●	●	
Designer-style handles	Integrated	Sure Grip	Sure Grip	Sure Grip	●	
Flush appearance installation	●	●	●	●	●	
Weight & Dimensions						
Approx. shipping weight (lbs.)	162	157	157	155	135	
Oven cabinet width required (in inches)	27	27	27	27	24	
Overall dimensions (WxHxD inches)	← 26-5/8 x 51 x 23-5/8 →			26-5/8 x 42-1/2 x 23-5/8	23-3/4 x 48-5/8 x 23-1/8	
Overall oven interior dimensions	← 21-1/2 x 17 x 18-1/4 →			16 x 11-1/8 x 13-3/8	17 x 15 x 18-1/2	
(WxHxD in inches)	← 21-1/2 x 17 x 18-1/4 →				17 x 15 x 18-1/2	
Power/Ratings						
KW rating @ 240V	6.8	6.8	7.1	6.4	7.1	
208V	5.1	5.1	5.3	5.1	5.3	
Amps @ 240V	30	30	30	30	30	
208V	30	30	30	30	30	
Convection wattage	2500					
Broiler/bake wattage			3400/2650 3400/2000	3400/2650	3400/2600	
Upper/Lower	3400/2640	3400/2650				

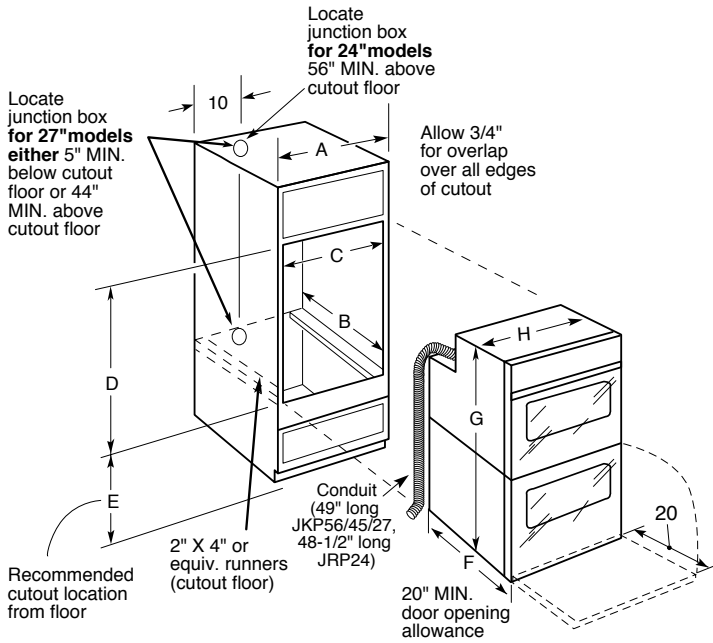
*SS = Stainless Steel, WW = White on white, CC = Bisque on bisque, BB = Black on black.



See page 162 for warranty information.

27" and 24" Built-In Double Ovens (continued)

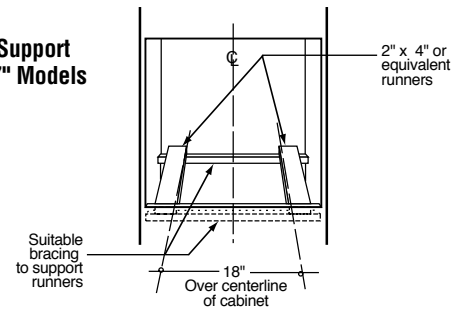
27"/24" Built-In Double Oven Dimensions (in inches)



Note: Cabinets installed adjacent to wall ovens must have an adhesion spec of at least a 194°F temperature rating.

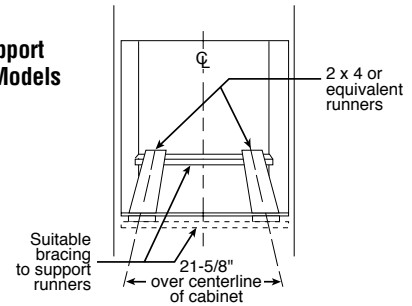
Note: If marks, blemishes or the cutout opening is visible above the installed oven, it may be necessary to add wood shims under the runners and front trim until the marks or openings are covered.

Oven Support For 27" Models



(Must support 275 lbs.)

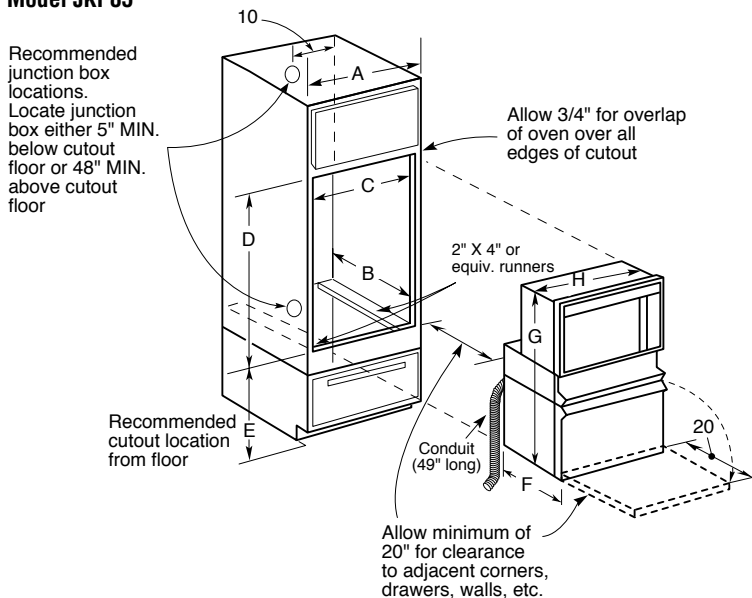
Oven Support For 24" Models



(Must support 275 lbs.)

Cabinet	JKP56/45/27	JRP24
A - Cabinet Width Required	27" min.	24" min.
B - Minimum Cabinet Depth	23-5/8"	23-1/2"
C - Opening Width	25" min. - 25-1/4 max.	22-1/2"
D - Opening Height	50-1/8" max.	48-1/8" min.
E - Recommended Minimum Cutout Location from Floor	13-1/4"	14"
Oven		
F - Overall Depth	23-5/8"	23-1/8"
	w/o trim	50-1/4"
	with trim	48-1/8"
G - Overall Height	51"	49-1/4"
H - Overall Width	26-5/8"	23-3/4"

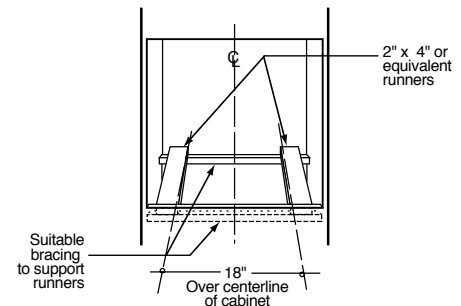
27" Built-In Microwave Double Oven Dimensions (in inches) Model JKP85



Note: Cabinets installed adjacent to wall ovens must have an adhesion spec of at least a 194°F temperature rating.

Note: If marks, blemishes or the cutout opening is visible above the installed oven, it may be necessary to add wood shims under the runners and front trim until the marks or openings are covered.

Installation Information: Before installing, consult installation instructions packed with product for current dimensional data.



(Must support 275 lbs.)

Cabinet	27"
A - Cabinet Width Required	27" min.
B - Minimum Cabinet Depth	23-5/8"
C - Opening Width	25" min. - 25-1/4 max.
D - Opening Height	41-1/4" max.
E - Minimum Cutout Location from Floor	22"
Oven	
F - Overall Depth	23-5/8"
	w/o trim
	41-3/8"
	with trim
	42-1/8"
G - Overall Height	42-1/8"
H - Overall Width	26-5/8"

27" and 24" Built-In Single Ovens

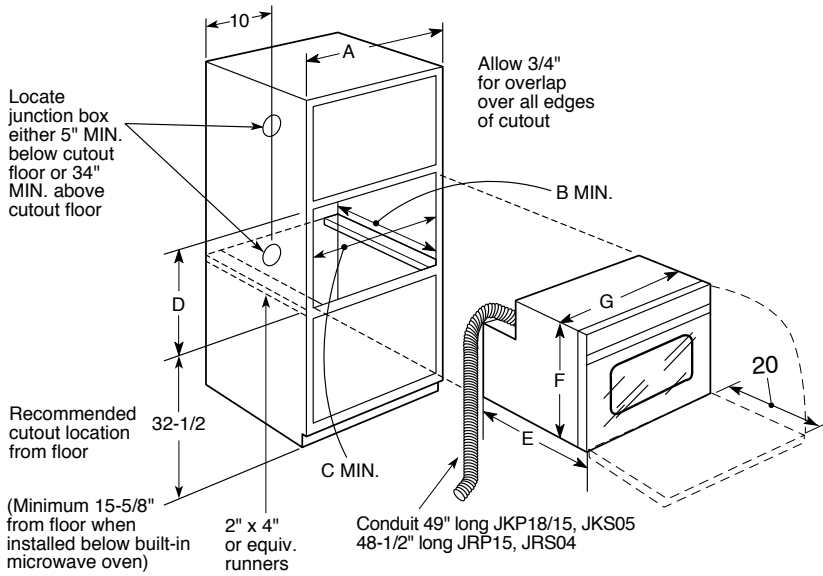
Features	GE Profile™	GE			
	27" Convection Single Ovens	27" Single Ovens		24" Single Ovens	
	JKP18SD JKP18WD JKP18CD JKP18BD	JKP15WD JKP15CD JKP15BD	JKS05BD	JRP15WW JRP15BW	JRS04BW
Oven interior	Convection/Self-Clean	Self-Clean	Standard	Self-Clean	Standard
Variable cleaning time	●	●		●	
Automatic self-clean oven door lock	●	●		●	
Self-clean oven w/Delay Clean option	●	●		●	
TrueTemp™ system	●	●			
CleanDesign oven interior	●				
Variable broil	●	●	●	●	●
SmartSet controls	●	●	●	●	●
Convection conversion	●				
Conv. Bake/Conv. Roast	●				
Automatic meat thermometer	●				
Temperature display	●	●	●	●	●
Start pad	●	●	●	●	●
Delay Bake option w/Cook & Hold	●	●	●	●	●
C° or F° programmable	●	●	●	●	●
Audible preheat signal	●	●	●	●	●
Auto oven shut-off w/override	●	●	●	●	●
Electronic clock and kitchen timer	●	●	●	●	●
Control lock capability	●	●	●	●	●
Oven light	Halogen	●	●	●	●
Certified Sabbath mode	●	●	●		
Oven racks	3 Heavy-Duty	2	2	2	2
Embossed rack positions	4	4			
Roasting rack	●				
Broiler pan with grid	●	●	●	●	●
Appearance					
Color appearance*	SS WW CC BB	WW CC BB	BB	WW BB	BB
Frameless oven door	Stainless White Glass Bisque Glass Black Glass	White Glass Bisque Glass Black Glass	Black Glass	White Glass Black Glass	Black Glass
Big ClearView™ window	●	●	●	Standard	Standard
Lift-off oven door	●	●	●	●	●
Designer-style handle	Integrated	Sure Grip	●	●	●
Flush appearance installation	●	●	●		
Undercounter installation	●	●	●		
Weight & Dimensions					
Approx. shipping weight (lbs.)	98	93	91	114	82
Oven cabinet width required (in.)	27	27	27	24	24
Overall dimensions (WxHxD in inches)	← 26-5/8 x 29 x 23-5/8 →			← 23-3/4 x 28-3/16 x 23-1/8 →	
Overall oven interior dimensions (WxHxD in inches)	← 21-1/2 x 17 x 18-1/4 →			← 17 x 15 x 18-1/2 →	
Power/Ratings					
KW rating @ 240V	3.4	3.4	3.4	3.4	3.4
208V	2.6	2.6	2.6	2.6	2.6
Amps @ 240V	20	20	20	20	20
208V	20	20	20	20	20
Convection wattage	2500				
Broiler/bake wattage	3400/2640	3400/2650	3400/2000	3400/2600	3400/2000

*SS = Stainless Steel, WW = White on white, CC = Bisque on bisque, BB = Black on black.



Listed by Underwriters Laboratories

27"/24" Built-In Single Oven Dimensions (in inches)



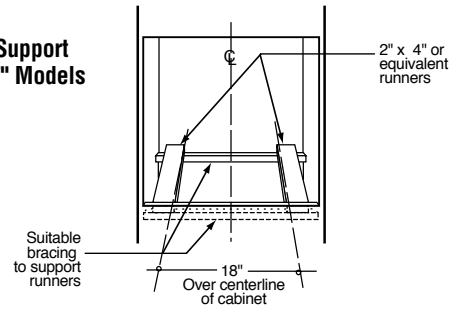
Note: Models JKS05, JRP15 and JRS04 are not approved for stackable or side-by-side installations.

Note: Models JKP18 and JKP15 can be installed side-by-side with no less than 30" distance between center-to-center of each oven.

Note: Cabinets installed adjacent to wall ovens must have an adhesion spec of at least a 194°F temperature rating.

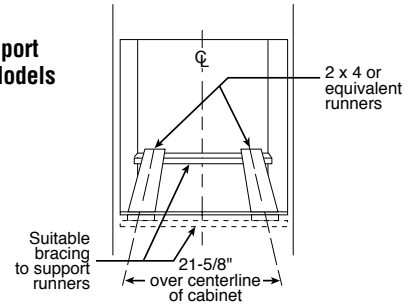
Note: For 27" built-in single ovens, if marks, blemishes or the cutout opening is visible above the installed oven, it may be necessary to add wood shims under the runners and front trim until the marks or openings are covered.

Oven Support For 27" Models



(Must support 275 lbs.)

Oven Support For 24" Models

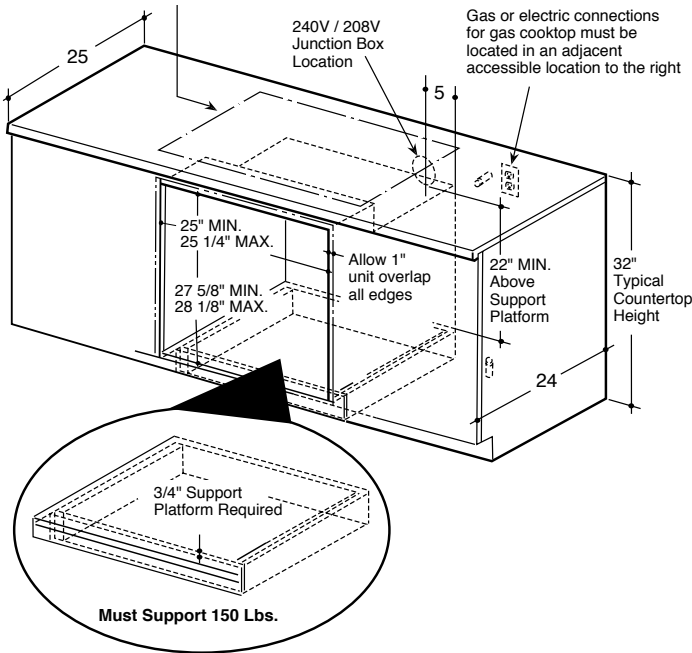


(Must support 275 lbs.)

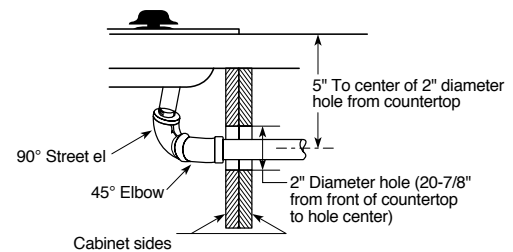
Cabinet	JKP18/15, JKS05	JRP15, JRS04
A – Cabinet Width Required	27" min.	24" min.
B – Minimum Cabinet Depth	23-5/8"	23-1/2"
C – Opening Width	25" min. - 25-1/4 max.	22-1/2"
D – Opening Height	27-5/8" min. - 28-1/8" max.	27-5/8" min.
Oven		
E – Overall Depth	23-5/8"	23-1/8"
F – Overall Height	w/o trim: 28-1/4" with trim: 29"	27-1/2" 28-3/16"
G – Overall Width	26-5/8"	23-3/4"

**Undercounter Installation Dimensions (in inches)
Models JKP18, 15 and JKS05 (except JKP18SD)**

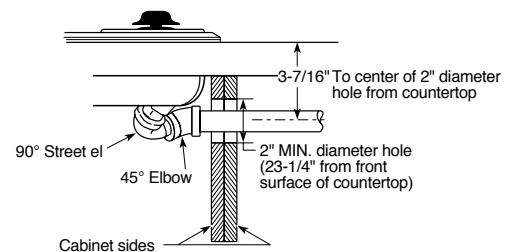
Gas or electric cooktops may be installed over this oven. See cooktop installation instructions for cutout size. See label on top of oven for approved cooktop models.



Sealed Burner Gas Cooktop Installation Dimensions (in inches)



Standard Burner Gas Cooktop Installation Dimensions (in inches)



Note: Cabinets installed adjacent to wall ovens must have an adhesion spec of at least a 194°F temperature rating.

Note: Oven is rated for use only under 30" standard or sealed burner gas and selected 30" CleanDesign and Calrod® electric cooktops.

Installation Information: Before installing, consult installation instructions packed with product for current dimensional data.

See page 162 for warranty information.

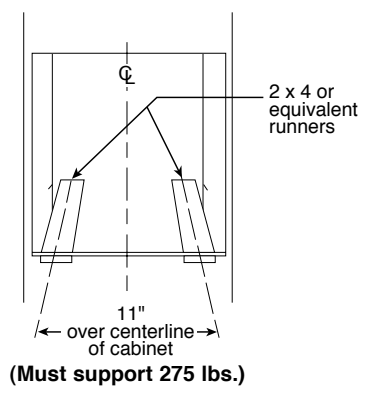
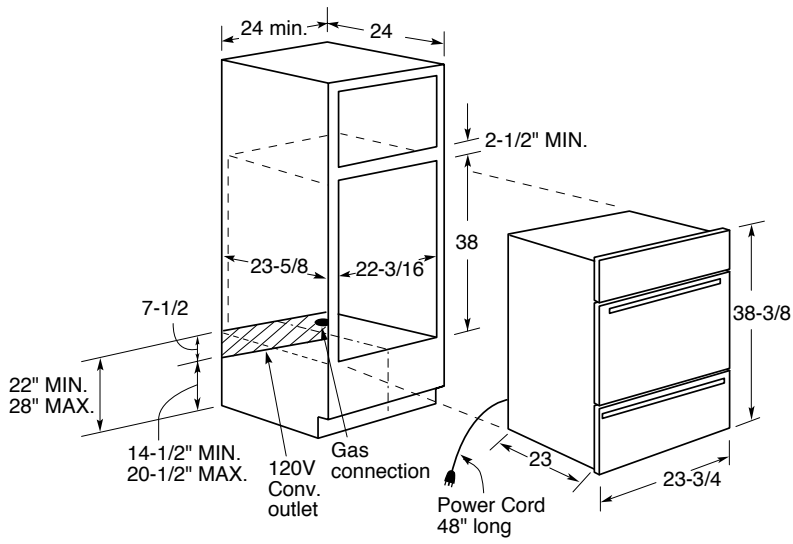
24" Built-In Gas Ovens

	GE	
	JGRP17WEW JGRP17BEW	JGRS14BEW
Features		
Oven interior	Self-Clean	Standard
Automatic self-clean oven door lock	●	
Delay Clean option	●	
In-oven broiling	●	
Separate broiler drawer		●
Storage drawer	●	
SmartSet controls	●	●
Temperature display	●	●
Start pad	●	●
Delay Bake option w/Cook & Hold	●	●
C° or F° programmable	●	●
Audible preheat signal	●	●
Auto oven shut-off w/override	●	●
Electronic clock and kitchen timer	●	●
Control lock capability	●	
Oven light pad	●	●
Oven racks	2	2
Broiler pan with grid	●	●
Electronic pilotless ignition	●	●
Appearance		
Color appearance*	— WW BB	BB
Frameless oven door	White Glass Black Glass	Black Glass
Oven door with window	●	●
Designer-style handle	●	●
Weights & Dimensions		
Approx. shipping weight (lbs.)	144	139
Oven cabinet width required (in inches)	24	24
Overall dimensions (WxHxD in inches)	← 23-3/4 x 38-3/8 x 23 →	
Overall oven interior dimensions (WxHxD in inches)	← 17 x 15 x 18-7/8 →	
Power/Ratings		
Gas oven electrical rating	← 120V, 60Hz, 5A →	
Oven /broiler burners (000's BTU's)	14.5 - Oven 13.0 - Broil	14.5

*WW = White on white, BB = Black on black.
Factory set for natural gas.



Built-In Gas Oven Dimensions (in inches)



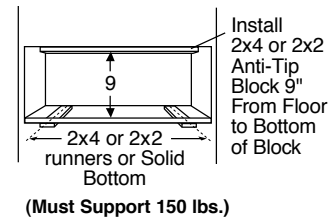
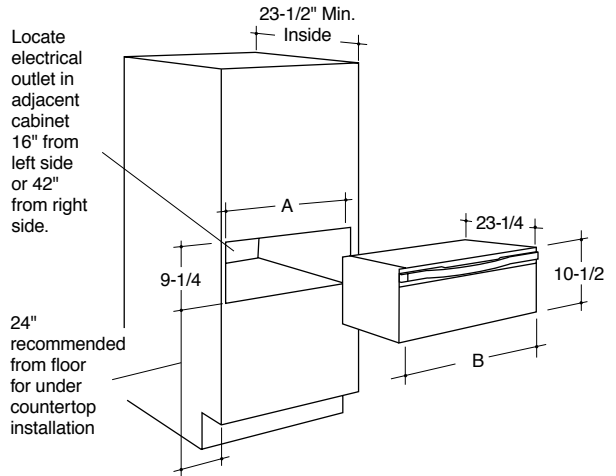
Installation Information: Before installing, consult installation instructions packed with product for current dimensional data.

30" and 27" Warming Drawers

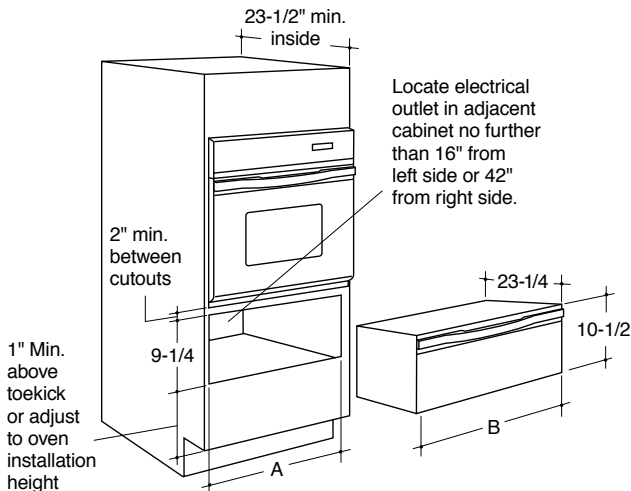
GE Profile™		
	30" Warming Drawers	27" Warming Drawers
	JTD910SB JTD910WB JTD910CB JTD910BB	JKD910SB JKD910WB JKD910CB JKD910BB
Features		
Temperature control	•	•
Proof (80°F)	•	•
Low (140°F)	•	•
Medium (170°F)	•	•
High (210°F)	•	•
Humidity control	Crisp/Moist	Crisp/Moist
Hidden control	•	•
ON/OFF switch	•	•
"ON" indicator light	•	•
Half rack	•	•
Full extension drawer glide	•	•
Removable stainless steel pan	•	•
Appearance		
	SS WW CC BB	SS WW CC BB
Color appearance*		
Frameless drawer front	•	•
Handle style	Integrated Designer-Style	Integrated Designer-Style
Weights & Dimensions		
Interior dimensions (WxHxD in inches)	23-7/8 x 6-1/4 x 22-1/16	20-7/8 x 6-1/4 x 22-1/16
Cutout dimensions (WxHxD in inches)	28-1/2 x 9-1/4 x 23-1/2	25-1/2 x 9-1/4 x 23-1/2
Approx. shipping weight (lbs.)	65	59
Power/Ratings		
KW rating @ 120V	.45	.45
Amps @ 120V	15	15
Element wattage	450	450
Accessories		
1/4" panel kit capability	ZXD30B	ZXD27B
Pan set (5 pans with lids)	JXPN1	JXPN1

*SS = Stainless Steel, WW = White on white, CC = Bisque on bisque, BB = Black on black.

Warming Drawer Dimensions (in inches)

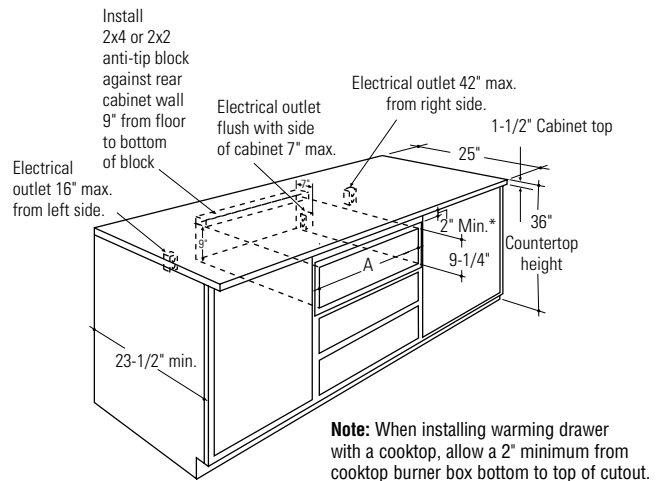


Under Oven Installation (in inches)

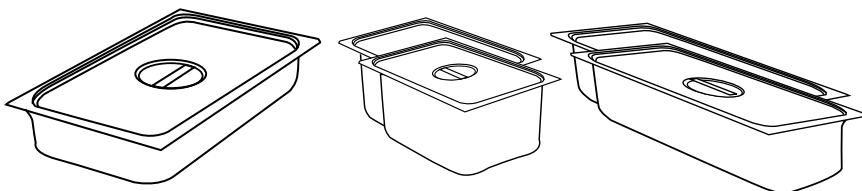


Installation Information: Before installing, consult installation instructions packed with product for current dimensional data.

Undercounter Installation (in inches)



Pan Set Accessory For Warming Drawer – JXPN1



Five Commercial Pans with Lids (4" deep)

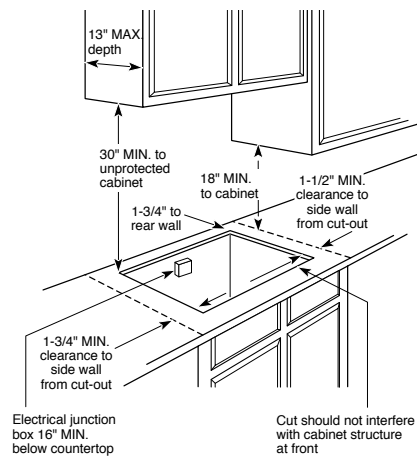
- One large pan (14 quarts)
- Two medium pans (6 quarts each)
- Two small pans (3 quarts each)

Built-In CleanDesign Cooktops

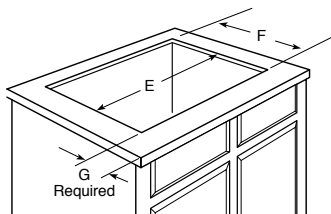
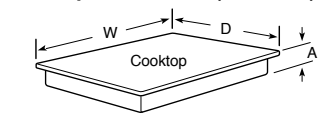
Features	GE Profile™					GE
	JP968SC JP968WC JP968CC JP968BC	JP960SC JP960TC JP960KC JP960BC	JP938SC JP938WC JP938CC JP938BC	JP930SC JP930TC JP930KC JP930BC	JP350SC JP350TC JP350WC JP350KC JP350BC	JP340WC JP340BC
Ceramic-glass surface	Patterned Black Patterned White Patterned Bisque Patterned Black	Patterned Black True White True Bisque Patterned Black	Patterned Black Patterned White Patterned Bisque Patterned Black	Patterned Black True White True Bisque Patterned Black	Patterned Black True White Patterned White True Bisque Patterned Black	Patterned White Patterned Black
Number of elements	5 Ribbon	5 Ribbon	4 Ribbon	4 Ribbon	4 Ribbon	4 Ribbon
Dual 6"/9" heating elements	1 Ribbon (2500W)	1 Ribbon (2500W)	1 Ribbon (2500W)	1 Ribbon (2500W)	1 Ribbon (2500W)	
8" heating elements					2 Ribbon (2000W)	2 Ribbon (2000W)
7" heating element	1 Ribbon w/Warmer (1500W)	1 Ribbon (1500W)				
7" heating elements	2 Ribbon (1800W)	2 Ribbon (1800W)	2 Ribbon (1800W)	2 Ribbon (1800W)		
Bridge element	1 Ribbon (800W)	1 Ribbon (800W)	1 Ribbon (800W)	1 Ribbon (800W)		
Total wattage	4400W	4400W	4400W	4400W		
6" heating elements	1 Ribbon (1200W)	1 Ribbon (1200W)	1 Ribbon w/Warmer (1200W)	1 Ribbon (1200W)	1 Ribbon (1200W)	2 Ribbon (1200W)
Hot surface indicator lights	5	5	4	4	4	1
Electronic touch controls	●		●			
Pan presence sensor	●		●			
Pan size sensor	●		●			
Kitchen timer	●		●			
Control lock capability	●		●			
Appearance						
Color appearance*	SS WW CC BB	SS WW CC BB	SS WW CC BB	SS WW CC BB	SS WW CC BB	WW BB
Frameless	●	●	●	●	●	●
Weights & Dimensions						
Cooktop width (in inches)	36	36	30	30	30	30
Approx. shipping weight (lbs.)	45	44	38	38	38	35
Power/Ratings						
KW rating @ 240V	9.6	9.6	8.1	8.1	7.7	6.4
208V	7.2	7.2	6.1	6.1	5.8	4.8
Amps @ 240V	40	40	40	40	40	30
208V	40	40	30	30	30	30

*SS = Stainless Steel, WW = White on white, CC = Bisque on bisque, BB = Black on black.

Counter Installation Dimensions (in inches)



Cooktop Dimensions (in inches)



Cooktop Dimensions (in inches)

Model	Overall			Cutout			To Edge of Front Counter (Min.)
	W	D	A	E	F	G	
JP968WC/CC/BC	36	20-3/8	3-1/4*	33-7/8	19-1/8	2-1/2	
JP960TC/KC/BC	36	20-3/8	3-1/4*	33-7/8	19-1/8	2-1/2	
JP938WC/CC/BC	29-3/4	20-7/8	3-1/4*	28-1/2	19-5/8	2-1/2	
JP930TC/KC/BC	29-3/4	20-7/8	3-1/4*	28-1/2	19-5/8	2-1/2	
JP350TC/WC/KC/BC	29-3/4	20-7/8	3-1/4*	28-1/2	19-5/8	2-1/2	
JP340WC/BC	29-3/4	20-7/8	3-1/4*	28-1/2	19-5/8	2-1/2	

*Depth of unit at conduit connection location (rear) is 6-1/4" on models JP968/938 and 4-5/8" on models JP960/930/350/340.

Stainless Steel Cooktop Dimensions (in inches)

Model	Overall			Cutout			To Edge of Front Counter (Min.)
	W	D	A	E	F	G	
JP968SC	36-1/8	21	3-1/4*	33-7/8	19-1/8	2-1/2	
JP960SC	36-1/8	21	3-1/4*	33-7/8	19-1/8	2-1/2	
JP938SC	29-7/8	21-1/2	3-1/4*	28-1/2	19-5/8	2-1/2	
JP930SC	29-7/8	21-1/2	3-1/4*	28-1/2	19-5/8	2-1/2	
JP350SC	29-7/8	21-1/2	3-1/4*	28-1/2	19-5/8	2-1/2	

*Depth of unit at conduit connection location (rear) is 6-1/4" on models JP968/938 and 4-5/8" on models JP960/930/350.

Built-In CleanDesign Cooktops

Requires a 5" free area between the bottom of the cooktop to any combustible material, i.e., shelving. Free area not required when installing wall oven underneath cooktop. Refer to installation instructions. Requires an 18" minimum from cooktop to adjacent overhead cabinets. Units are furnished with a 48" flexible armored cable.

36" Ribbon cooktops (excluding JP968) are approved for use over GE 30" Single Wall Ovens only. 30" Ribbon cooktops (excluding JP938) are approved for use over GE 30" Single Wall Ovens only. All 30" Ribbon cooktops can be installed over 27" wall ovens except stainless model JKP18SD. Refer to cooktop and wall oven installation instructions packed with product for current dimensional data.

Notes: If installing with a GE Profile Telescopic Downdraft System, consult both cooktop and downdraft installation instructions packed with product before installing. Cooktop gas/electric supply may need to be re-routed to install downdraft.

The countertop must be at least 26" deep with a flat surface area of 23-1/2" or more, front to back. JGP938S, JGP930S, JP350S and JGP932S require 23-5/8" flat surface area. In addition, other clearances to the front edge of the countertop must be considered.

Note: Consult cabinet and countertop manufacturer's specs for flush mount installation prior to install.

Filler Trim Kit

When replacing an old GE 30" cooktop (with larger opening) with Models JP938/930/350/340, use the following one-piece trim kit to fill in the over-size hole. Available at additional cost. JXTR31W (True White) JXTR31C (True Bisque) JXTR31B (Black—use with black glass cooktops with a white, bisque or black pattern)

Flush Mount Installation Kit

Accommodates both 30" and 36" installations. Not for use with stainless steel models. JXFLMTW (True White) JXFLMCC (True Bisque) JXFLMBB (Black—use with black glass cooktops with a white, bisque or black pattern)

Installation Information:

Before installing, consult installation instructions packed with product for current dimensional data.

Built-In Electric Cooktops

Features	GE			
	JP626WV JP626CC	JP326WV JP326CC JP326BV JP326CV	JP201CB	JP202D
Cooktop surface	Porcelain-Enameled	Porcelain-Enameled Porcelain-Enameled Porcelain-Enameled Brushed-Chrome	Stainless Steel	Porcelain-Enameled
Lift-up cooktop with support rod	●	●		
8" heating elements	2 Plug-In Calrod®	2 Plug-In Calrod®	1 Plug-In	1 Plug-In
6" heating elements	2 Plug-In Calrod®	2 Plug-In Calrod®	1 Plug-In	1 Plug-In
One-piece removable drip bowls	Chrome	Chrome Chrome Black Porc.-Enam. Chrome	Chrome	Chrome
Infinite heat rotary controls	●	●	●	●
Control panel location	Upfront	Right Side	Upfront	Upfront
Control panel	White Glass Bisque Glass	White Glass Bisque Glass Black Glass Black Glass		
Surface element "ON" indicator light	●	●	●	●
Appearance				
Color appearance*	WW CC	WW CC BB BC	SS	WW
Weights & Dimensions				
Cooktop width (in inches)	36	30	21-1/4	21-1/4
Approx. shipping weight (lbs.)	38	29	18	18
Power/Ratings				
KW rating @ 240V	7.4	7.4	3.4	3.4
208V	5.6	5.6	2.5	2.5
Amps @ 240V	40	40	20	20
208V	30	30	20	20

*SS = Stainless Steel, WW = White on white, CC = Bisque on bisque, BB = Black on black, BC = Brushed-Chrome.

Built-In Electric Cooktops

Required free area between the bottom of the cooktop and any combustible material, i.e., shelving is 5" minimum on models JP626/326 and 1-1/2" minimum on models JP201/202. Free area not required when installing wall oven underneath. Requires an 18" minimum from cooktop to adjacent overhead cabinets. Units are furnished with a 48" flexible armored cable.

Cooktop models JP326WV/326BV/326CC/326CV are approved for use over select GE 27" or 30" Single Wall Ovens. JP626WV/626BV are approved for use over GE 30" Single Wall Ovens only. Refer to cooktop and wall oven installation instructions packed with product for current dimensional data.

Cooktop models JP201CB and JP202D are approved for use over GE undersink dishwasher model GSM2100. Refer to cooktop installation instructions packed with product for current dimensional data.

Note: If installing with a GE Profile Telescopic Downdraft System, consult both cooktop and downdraft installation instructions packed with product before installing. Cooktop gas/electric supply may need to be re-routed to install downdraft.

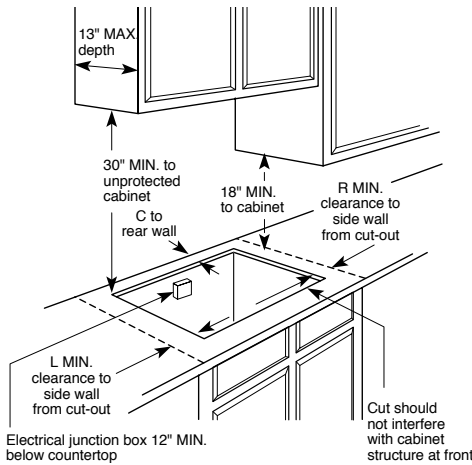
Note: The countertop must be at least 26" deep with a flat surface area of 23-1/2" or more, front to back. In addition, other clearances to the front edge of the countertop must be considered.

Filler Trim Kit—When replacing an old GE 30" cooktop (with larger opening) with Models JP326WV, JP326CC, JP326BV, JP326CV, use the following one-piece trim kit to fill in the over-size hole. Available at additional cost.
 JXTR31W (White)
 JXTR31C (Bisque)
 JXTR31B (Black)

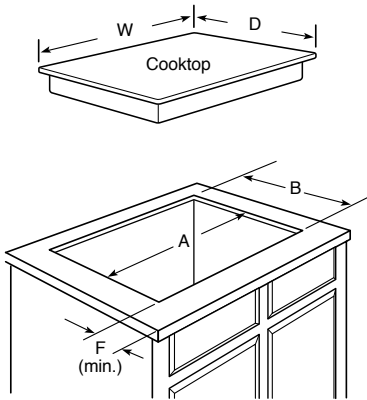
Installation Information:

Before installing, consult installation instructions packed with product for current dimensional data.

Counter Installation Dimensions (in inches)



Built-In Cooktop Dimensions (in inches)



Dimensions (in inches)

Model	Overall		Cutout		Minimum Spacing To Nearest Combustible Wall			To Edge of Front Counter (Min.)
	W	D	A	B	C	R	L	F
JP626	35-1/2	21	33-7/8	19-1/8	1-3/4	6	6	2-1/2
JP326	30-1/4	21-1/4	28-1/2	19-5/8	1-3/4	2	5-1/2	2-1/2
JP202	21-1/4	16-5/8	20-1/8	16-1/8	2	2	2	2-3/4
JP201	21-1/4	16-5/8	20-1/8	16-1/8	2	2	2	2-3/4

Built-In Electric Downdraft Cooktops

	GE Profile™		
	JP989SD	JP989TD JP989KD	JP989BD
Features			
Downdraft exhaust (CFM)	400	400	400
Three-speed downdraft vent fan	●	●	●
Ceramic-glass surface	Black	True White True Bisque	Black
Number of elements	4	4	4
Dual 6"/9" heating elements	1 Ribbon (2500W)	1 Ribbon (2500W)	1 Ribbon (2500W)
7" heating elements	2 Ribbon (1800W)	2 Ribbon (1800W)	2 Ribbon (1800W)
Bridge element	1 Ribbon (800W)	1 Ribbon (800W)	1 Ribbon (800W)
Total wattage	4400W	4400W	4400W
6" heating elements	1 Ribbon (1500W)	1 Ribbon (1500W)	1 Ribbon (1500W)
Infinite heat controls	●	●	●
Hot surface indicator lights	4	4	4
Heating element "ON" indicator light	●	●	●
Appearance			
Color appearance*	SS	WW CC	BB
Frameless	●	●	●
Weights & Dimensions			
Cooktop width (in inches)	30	30	30
Overall dimensions (WxD in inches)	← 29-7/8 x 21-7/8 →		
Approx. shipping weight (lbs.)	72	72	72
Power/Ratings			
KW Rating @ 240V	8.8	8.8	8.8
208V	6.7	6.7	6.7
Amps @ 240V	40	40	40
208V	40	40	40

*SS = Stainless steel, WW = White on white, CC = Bisque on bisque, BB = Black on black.

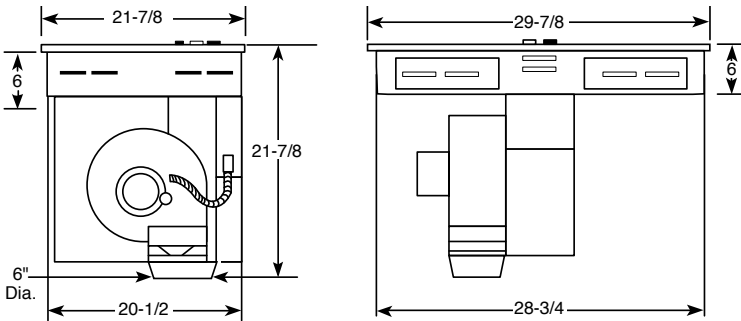
Built-In Gas Downdraft Cooktops

	GE Profile™		
	JGP989TC	JGP989KC	JGP989BC
Features			
Cooktop burners	Sealed	Sealed	Sealed
Electronic pilotless ignition	●	●	●
Ceramic-glass surface	True White	True Bisque	Black
Burner grates	2	2	2
Downdraft exhaust (CFM)	400	400	400
Appearance			
Color appearance*	WW	CC	BB
Frameless	●	●	●
Weights & Dimensions			
Cooktop width (in inches)	30	30	30
Overall dimensions (WxD in inches)	← 29-7/8 x 21-7/8 →		
Approx. shipping weight (lbs.)	90	90	90
Power/Ratings			
Gas cooktop electrical rating	120V	120V	120V
Burners (000's/BTU's)**	(2) 9.1/8.5	(2) 9.1/8.5	(2) 9.1/8.5
Natural Gas/LP Gas	(1) 11.5/11.0 (1) 5.5/5.5	(1) 11.5/11.0 (1) 5.5/5.5	(1) 11.5/11.0 (1) 5.5/5.5

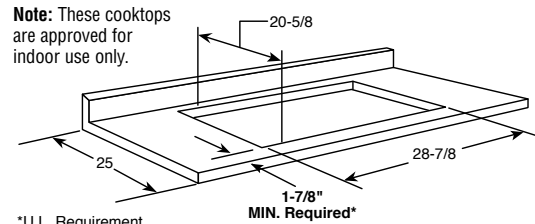
*WW = White on white, CC = Bisque on bisque, BB = Black on black.

**A set of LP orifices is included with each cooktop for LP conversion. Factory set for natural gas.

Built-In Electric and Gas Downdraft Cooktops Dimensions (in inches)

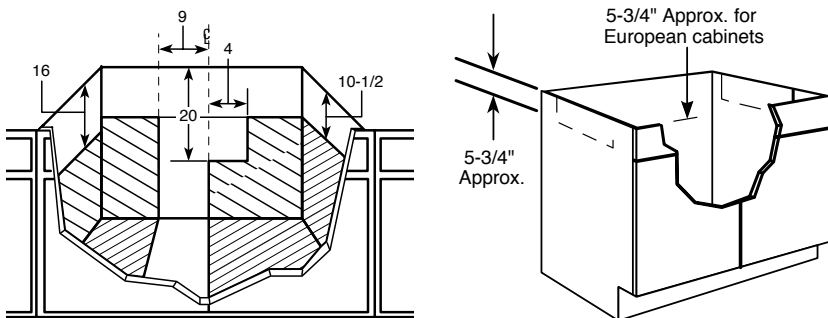


Built-In Electric and Gas Cutout Dimensions (in inches)



Note: A 5" minimum spacing to adjacent side wall is required on JGP989. A 6" minimum spacing to adjacent side wall is required on JP989.

Built-In Electric and Gas Cabinet Dimensions (in inches)



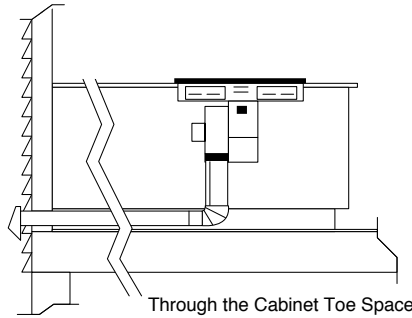
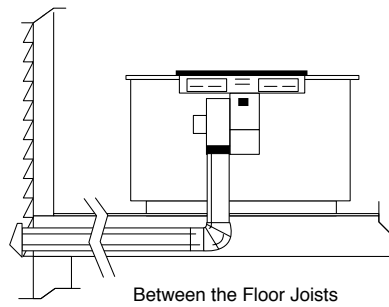
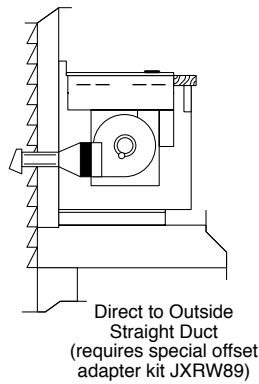
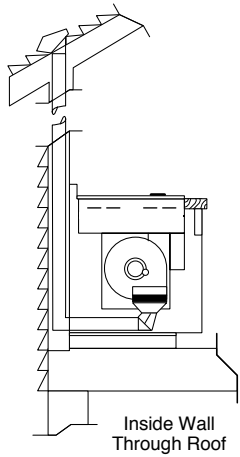
Receptacle Location

Install an approved junction box within shaded area shown in diagram. Junction box must be at least 10-1/2" below top of cabinet.

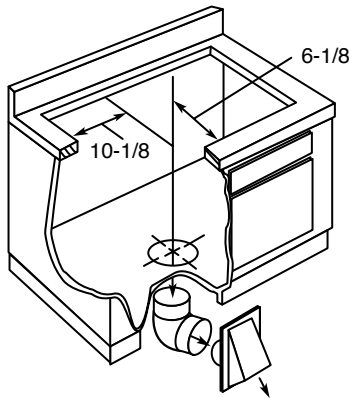
Preparing the Cabinet for Installation

In some cabinets, the sides may need to be scooped or cut down 5-3/4" as shown (right) and the corner braces removed in order to accommodate the cooktop.

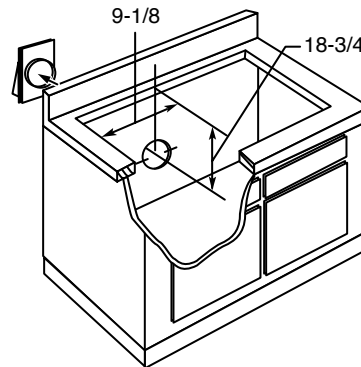
Built-In Electric and Gas Downdraft Cooktop Venting Options



Built-In Electric and Gas Downward Venting (in inches)



Built-In Electric and Gas Rear Wall Venting (in inches)



Wall Installation

Wall installations require 25" countertop depth. When cabinet is flush against the wall, the fan housing can be rotated to the horizontal position for direct venting through rear wall. Make a countertop cutout in the range cabinet according to unit dimensions and installation type. Duct hole is positioned in back of cabinet for through-the-wall ducting. Requires special offset adapter JXRW89.

Peninsula or Island Installation

For peninsula/islands a minimum 26" countertop depth is suggested. Blower should be in vertical position. Island or peninsula cabinets may require adjustment in cutout depth and/or location within the width dimensions. Duct hole is positioned in bottom of cabinet for island or peninsula installation.

Slab Installation

For peninsula or island installation and rear wall ducting, **6" PVC duct or locally approved piping should be used if installing under a poured concrete slab.**

Note: Electrical cable is not supplied with unit

JXRW89 Rear Wall Installation Kit

Optional accessories may be ordered for installation on rear wall.

JXCK89 Electrical Connection Kit

Optional accessory kit for JP989 electric downdraft cooktop only, includes junction box and conduit.

Installation Information: Before installing, consult installation instructions packed with product for current dimensional data.

Installing the Ductwork

Use galvanized or aluminum duct in 6" round or 3-1/4" x 10" size, or combination of both. **PVC duct or locally approved piping should be used if installing under a poured concrete slab.** Local building code must be followed in specifying type and schedule of all duct used.

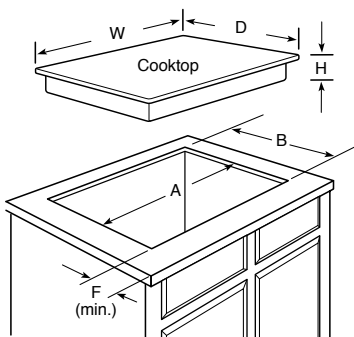
Note: Ductwork must be vented to outside. Do not vent into a wall, ceiling, crawl space, attic or any concealed space. Always use an appropriate roof or wall cap with damper. **Laundry-type wall caps should never be used.** For maximum efficiency use the shortest and straightest duct run possible, with as few fittings as possible. For satisfactory performance the duct run should not exceed 100 feet equivalent length. Refer to the table of equivalent lengths (shown in installation instructions) for various duct configurations.

Built-In Gas Cooktops

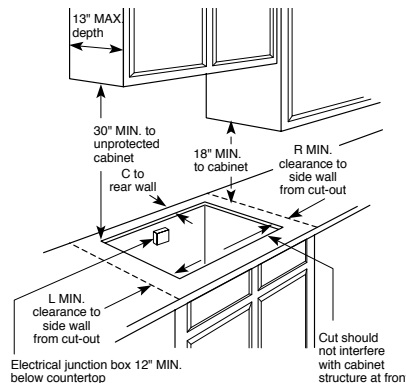
Features	GE Profile™				GE®								
	JGP963SEF JGP963WEC JGP963CEC JGP963BEC	JGP962SEC JGP962TEC JGP962KED JGP962BEC	JGP933SEF JGP933WEC JGP933CEC JGP933BEC	JGP932SEC JGP932TEC JGP932KED JGP932BEC	JGP960SED	JGP636WED JGP636CED JGP636BED	JGP930SED	JGP336WED JGP336CED JGP336BED	JGP628WEC JGP628CEC JGP628BEC	JGP328WEC JGP328CEC JGP328BEC	JGP326WEC JGP326CEC JGP326BEC	JGP320EV	
Cooktop burners	5 Sealed	5 Sealed	4 Sealed	4 Sealed	5 Sealed	5 Sealed	4 Sealed	4 Sealed	4 Sealed	4 Sealed	4 Sealed	4 Standard	
Max. Plus burner 15,000 BTU	●	●	●	●	●	●	●	●	●	●	●		
Maximum Output burner	●	●	●	●	●	●	●	●	●	●	●		
Precise Simmer burner(s)	2	2	●	●	2	2	●	●	●	●	●		
Electronic pilotless ignition	●	●	●	●	●	●	●	●	●	●	●	●	
Cooktop surface	Stainless Porcelain	Ceramic-Glass	Stainless Porcelain	Ceramic-Glass	Tempered Glass	Tempered Glass	Tempered Glass	Tempered Glass	Porcelain- Enameled	Porcelain- Enameled	Porcelain- Enameled	Porcelain- Enameled	
Cooktop grates	Continuous Deluxe Cast	Continuous Deluxe Cast	Continuous Deluxe Cast	Continuous Deluxe Cast	Deluxe Cast	Deluxe Cast	Deluxe Cast	Deluxe Cast	Continuous	Continuous	Deluxe Cast	Standard Steel	
One-piece drip pans					Porc.-Enam.	Porc.-Enam.	Porc.-Enam.	Porc.-Enam.	Porc.-Enam.	Porc.-Enam.	Porc.-Enam.	Chrome	
Control panel	Stainless White Bisque Black	Stainless True White True Bisque Black	Stainless White Bisque Black	Stainless True White True Bisque Black	Black	White Bisque Black	Black	White Bisque Black	White Bisque Black	White Bisque Black	White Bisque Black	White/Black	
Controls	Upfront	Upfront	Right Side	Right Side	Upfront	Upfront	Right Side	Right Side	Upfront	Right Side	Right Side	Right Side	
Appearance													
Color appearance*	SS WW CC BB	SS WW CC BB	SS WW CC BB	SS WW CC BB	SS	WW CC BB	SS	WW CC BB	WW CC BB	WW CC BB	WW CC BB	WH/BL	
Weight & Dimensions													
Cooktop width (in inches)	36	36	30	30	36	36	30	30	36	30	30	30	
Approx. shipping weight (lbs.)	54	59	44	49	38	38	30	30	51	44	44	31	
Power/Ratings													
Gas cooktop electrical rating	120V, 60Hz, 5A												
Burners	(1) 15.0/14.0 (1) 11.0/10.0 (1) 9.1/8.1 (2) 6.0/6.0	(1) 15.0/14.0 (1) 11.0/10.0 (1) 9.1/8.1 (2) 6.0/6.0	(1) 15.0/14.0 (1) 11.0/10.0 (1) 9.1/8.1 (1) 6.0/6.0	(1) 15.0/14.0 (1) 11.0/10.0 (1) 9.1/8.1 (1) 6.0/6.0	(1) 12.0/9.4 (2) 9.5/7.0 (2) 5.0/4.0	(1) 12.0/9.4 (2) 9.5/7.0 (2) 5.0/4.0	(1) 12.0/9.4 (2) 9.5/7.0 (1) 5.0/4.0	(1) 12.0/9.4 (2) 9.5/7.0 (1) 5.0/4.0	(3) 9.1/8.1 (1) 6.0/6.0	(3) 9.1/8.1 (1) 6.0/6.0	(3) 9.1/8.1 (1) 6.0/6.0	(4) 9.1/8.0	

*SS = Stainless Steel, WW = White on white, CC = Bisque on bisque, BB = Black on black, WH = White, BL = Black.
 †A set of LP orifices is included with each cooktop for LP conversion. Factory set for natural gas.

Cooktop Dimensions (in inches)



Counter Installation Dimensions (in inches)



Installation Information: Before installing, consult installation instructions packed with product for current dimensional data.

Dimensions (in inches)

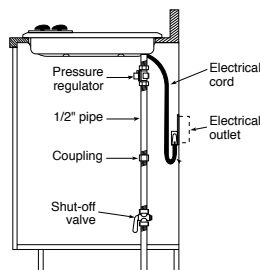
Model	Overall			Cutout			Minimum Spacing To Nearest Combustible Wall			To Edge of Front Counter
	W	D	H	A	B	C	L	R	F	
JGP963	36	21	3-3/16	33-7/8	19-1/8	2-1/4	3-3/4	3-3/4	2-1/2	
JGP933	30	21	3-3/16	28-1/2	19-5/8	2-1/4	3-3/4	3-3/4	2-1/2	
JGP962	36	20-7/16	3-1/16	33-7/8	19-1/8	2-1/4	3-3/4	3-3/4	2-1/2	
JGP932	29-3/4	21	3-3/16	28-1/2	19-5/8	2-1/4	3-3/4	3-3/4	2-1/2	
JGP960	36	21	3-1/16	33-7/8	19-1/8	2-1/4	3-3/4	3-3/4	2-1/2	
JGP636	36	21	3-1/16	33-7/8	19-1/8	2-1/4	3-3/4	3-3/4	2-1/2	
JGP628	36	21	3-3/16	33-7/8	19-1/8	2-1/4	3-3/4	3-3/4	2-1/2	
JGP930	30	21	2-1/2	28-1/2	19-5/8	2-1/4	3-3/4	3-3/4	2-1/2	
JGP336	30	21	2-1/2	28-1/2	19-5/8	2-1/4	3-3/4	3-3/4	2-1/2	
JGP328	30	21	3-3/16	28-1/2	19-5/8	2-1/4	3-3/4	3-3/4	2-1/2	
JGP326	30	21	2-1/2	28-1/2	19-5/8	2-1/4	3-3/4	3-3/4	2-1/2	
JGP320	30-1/4	21-1/4	3-9/32	28-1/2	19-5/8	1-3/4	3	3	3-1/4	

*Allow 5-3/4" depth at rear for electrical and gas connections.

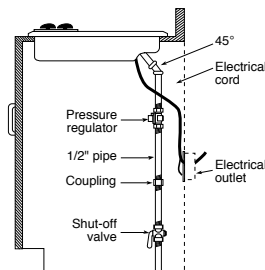
Note: All gas cooktop models require 7/16" free area below cooktop height to combustible material. 0" clearance is required between left and right sides of cooktop below countertop. Requires 18" minimum from countertop to adjacent overhead cabinets.*
 *AGA requirement.

Note: If installing with a GE Profile Telescopic Downdraft System, consult both cooktop and downdraft installation instructions packed with product before installing. Cooktop gas/electric supply may need to be re-routed to install downdraft.

Gas Connection Models JGP963/962/636/628



Gas Connection Models JGP933/932/336/328/326/320



Installation With Single Wall Oven Information:

30" Gas Cooktops are approved for use over GE 27" Wall Ovens. 36" and 30" Gas Cooktops are approved for use over 30" Wall Ovens. Refer to cooktop and wall oven installation instructions packed with product for current dimensional data.

Optional Gas Range Wok Accessory (Available at additional cost)

JXWK = Wok accessory holder sits on top of maximum burner grate to hold a **round-bottom** wok. For use with JGP960/930/636/336 models only.

JXWK2 = Wok accessory holder sits on top of maximum burner grate to hold a **round-bottom** wok. For use with JGP963/933/962/932 models only.

Integrated Downdraft Gas Cooktop

GE Profile	
JGP656WB JGP656BB	
Features	
Cooktop burners	Sealed
Electronic pilotless ignition	●
Tempered glass cooktop	White Black
Burner grates	2
Downdraft exhaust (CFM)	350
Optional blower mount capabilities	●
3-1/4" x 10" rectangular duct	●
6" round duct	●
Upfront variable-speed fan control	●
Removable grease filters	●
Appearance	
Color appearance*	WW BB
Upfront controls	●
Telescopic cover plate	White Black
Telescopic snorkel assembly	Black
Weights & Dimensions	
Cooktop width (in inches)	36
Overall dimensions (WxD in inches)	36 x 22-1/4
Approx. shipping weight (lbs.)	48
Power/Ratings	
Gas cooktop electrical rating	120V, 60Hz, 15A
Burners (000's/BTU's):	(1) 12.0/11.0
Natural Gas/LP Gas	(2) 9.5/9.5 (1) 5.0/5.0

*WW = White on white, BB = Black on black.

IMPORTANT: Cooktop is shipped separately. JXBA56BB or JXBA56WW (motor, blower and downdraft housing assembly required. Must be ordered with cooktop.)

JXLP56 LP Conversion Kit. LP orifices for LP conversion. Factory set for natural gas.

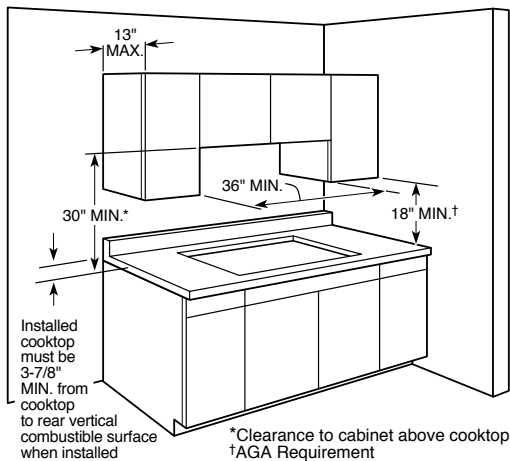
JXBC57 Outdoor Cover. Optional accessory may be ordered for installation of motor and blower assembly on outside wall.

JXRB57 Remote Installation Kit. Optional accessories may be ordered for installation below the floor.

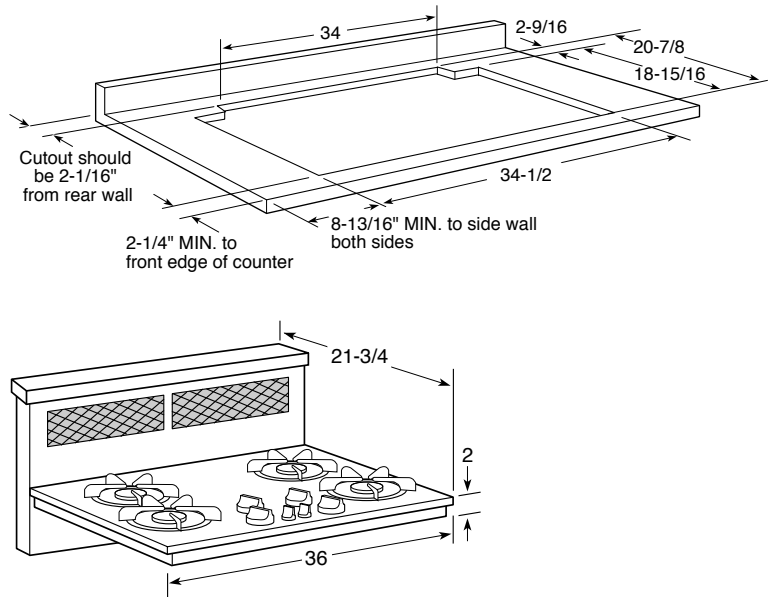
A minimum 36" side-to-side undercounter clearance is required for ease of installation.

Unit is furnished with a 4-foot, 110V electric cord.

Cabinet Requirements Dimensions (in inches)

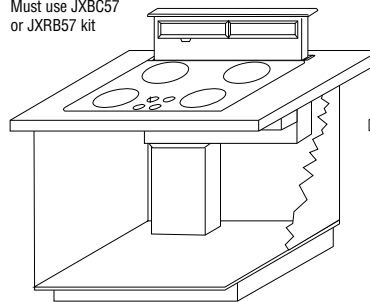


Downdraft Gas Cooktops Dimensions (in inches)

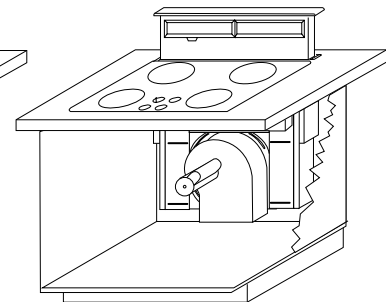


Venting Options (Through the Floor)

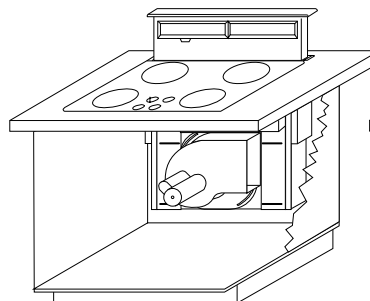
Must use JXBC57 or JXRB57 kit



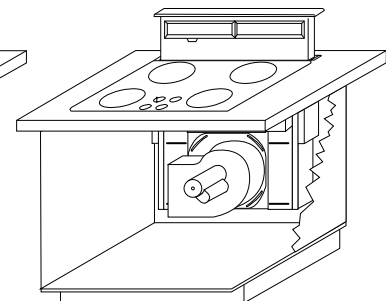
In Cabinet Discharge (Down)



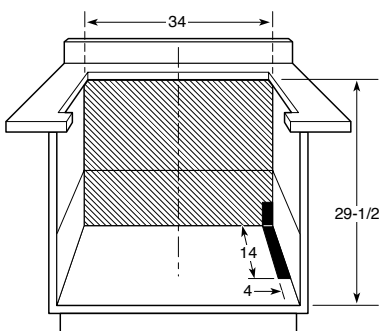
In Cabinet Discharge (Right)



In Cabinet Discharge (Left)



Gas and Electrical Supply Location Dimensions (in inches)



Gas and Electrical Supply Location

The gas supply pipe and the electrical supply receptacle entering the cabinet should not be positioned as shown in the shaded areas. The cooktop is equipped with a 4' power supply cord and should reach any desired location on cabinet walls.

Installation Information: Before installing, consult installation instructions packed with product for current dimensional data.

Select-Top™ Modular Downdraft Cooktops and Patio Grill

	GE Profile™		GE
	Dual Modular	Single Modular	Patio Grill
	JP389WV JP389BV	JP385WV JP385BV	JP380BV
Features			
Configuration	Dual Modular	Single Modular	Outdoor Grill
Cooktop finish	White Porc.-Enam. Black Porc.-Enam.	White Porc.-Enam. Black Porc.-Enam.	Black Porcelain-Enameled
Infinite heat controls	Rotary	Rotary	Rotary
Heating element "ON" indicator light	●	●	●
Downdraft exhaust (CFM)	400	400	375
Single-speed downdraft vent fan	●	●	●
Three-speed downdraft vent fan	●		
Fixed plug-in coil elements		One 6", One 8"	Fixed Grill (each side)
Removable one-piece drip bowls/trim rings		Chrome Black Porc.-Enam.	Chrome
Appearance			
Color appearance*	WW BB	WW BB	BB
Weights & Dimensions			
Cooktop width (in inches)	30	30	30
Approx. shipping weight (lbs.)	72	75	68
Power/Ratings			
Amps @ 240V	40	40	40
KW rating @ 240V	8.0	8.0	5.6
Accessories			
Ribbon heating elements (one 8" and one 6")	JXDR50VW JXDR50VB	JXDR50VW JXDR50VB	
Coil heating elements (one 6", one 8" element with removable one-piece bowls)	JXDC44RWH JXDC43RBL	JXDC44RWH JXDC43RBL	
Grill Module†	JXDL44N	JXDL44N	
Griddle Accessory	JXDD44R	JXDD44R	
Grill Cover	JXDM3 JXDM2	JXDM3 JXDM2	JXDM4

*WW = White on white, BB = Black on black.

†Grill Module includes coil heating element, one-piece grill grate, and porcelain reflector pan.

Cooktop Options

GE lets you customize your cooktop with flexible modules to suit your taste. These optional versatile modules—*Grill, Coil, Ribbon, Griddle Opening Accessory and Grill Cover*—are available at additional cost. Simply plug the modules you want into either side of the cooktop (single modular cooktops accept modules on left side only) and unplug them for easy cleaning and storage.

Grill Module, JXDL44N

Includes front/rear controlled heating element, one-piece grill grate, and porcelain-enameled reflector pan.

Grill Cover (For model JP380 patio grill only.)

Covers grill area when not in use
JXDM3—White on white, JXDM2—Black on black, JXDM4—Black on black

Griddle Accessory, JXDD44R (Use with optional Grill Module.)

Place over heating element and reflector pan from optional grill module. Griddle accessory has a non-stick coating and is self-draining.

Ribbon Modules

Patterned glass top with one 8" and one 6" ribbon heating element
JXDR50VW—White on white, JXDR50VB—Black on black

Coil Modules

One 8" and one 6" plug-in heating element with one-piece bowls
JXDC43RBL—Black porcelain-enameled, JXDC44RWH—White porcelain-enameled

JXCK89 Electrical Connection Kit

Optional accessory kit for JP385 and JP389 downdraft cooktop only, includes junction box and conduit.

Wall Installation

Wall installations require 25" countertop depth. When cabinet is flush against the wall, the fan housing can be rotated to the horizontal position for direct venting through rear wall. Make a countertop cutout that is centered in the range cabinet according to unit dimensions and installation type. Duct hole is positioned in back of cabinet for through-the-wall ducting.

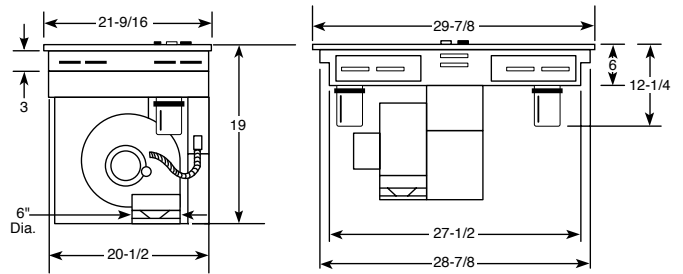
Peninsula or Island Installation

For peninsula/islands a minimum 26" countertop depth is suggested. Blower should be in vertical position. Island or peninsula cabinets may require adjustment in cutout depth and/or location within the width dimensions. Duct hole is positioned in bottom of cabinet for island or peninsula installation.

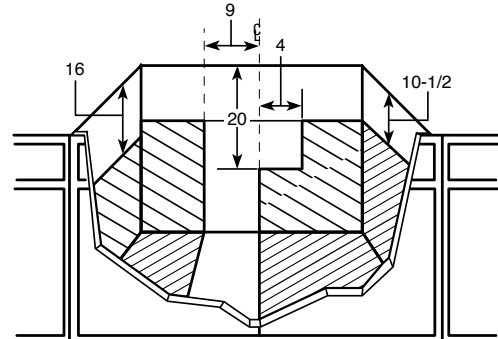
Slab Installation

For peninsula or island installation and rear wall ducting, **PVC duct or locally approved piping should be used if installing under a poured concrete slab.**

Built-In Downdraft Cooktops Dimensions (in inches)

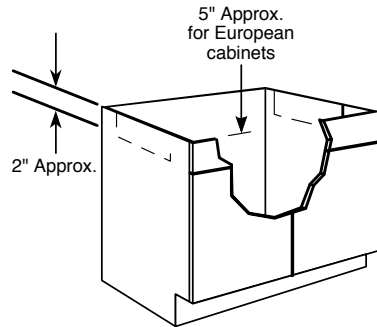


Cabinet Dimensions (in inches)



Receptacle Location

Install an approved junction box within shaded area shown in diagram. Junction box must be at least 10-1/2" below top of cabinet.

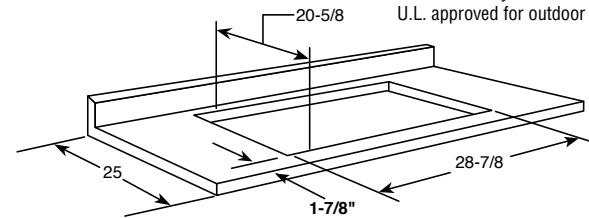


Preparing the Cabinet for Installation

In some cabinets, the sides may need to be scooped or cut down 2" as shown (right) and the corner braces removed in order to accommodate the cooktop.

Cutout Dimensions (in inches)

Note: These cooktops are U.L. approved for indoor use only. Model JP380BV is U.L. approved for outdoor use only.



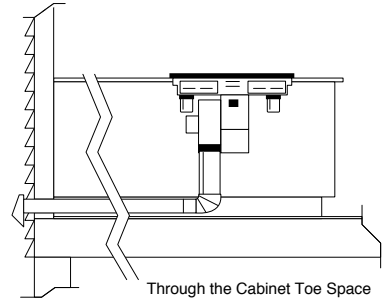
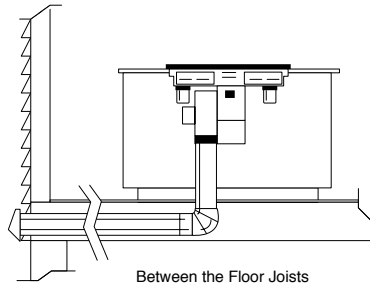
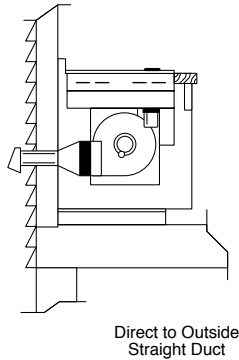
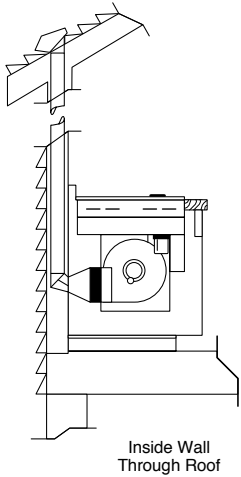
*U.L. Requirement.

MIN. Required*

Note: A 6" minimum spacing to adjacent side wall is required

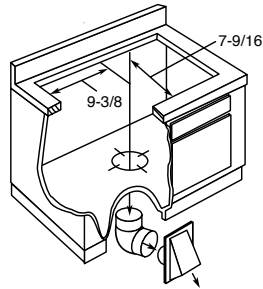
Installation Information: Before installing, consult installation instructions packed with product for current dimensional data.

Venting Options

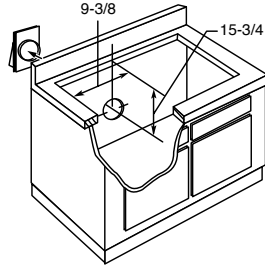


Note: Ductwork must be vented to outside. Do not vent into a wall, ceiling, crawl space, attic or any concealed space. Always use an appropriate roof or wall cap with damper. **Laundry-type wall caps should never be used.** For maximum efficiency use the shortest and straightest duct run possible, with as few fittings as possible. For satisfactory performance the duct run should not exceed 100 feet equivalent length. Refer to the table of equivalent lengths (shown in Pub. No. 49-8552) for various duct configurations.

Downward Venting (in inches)



Rear Wall Venting (in inches)



Installing the Ductwork

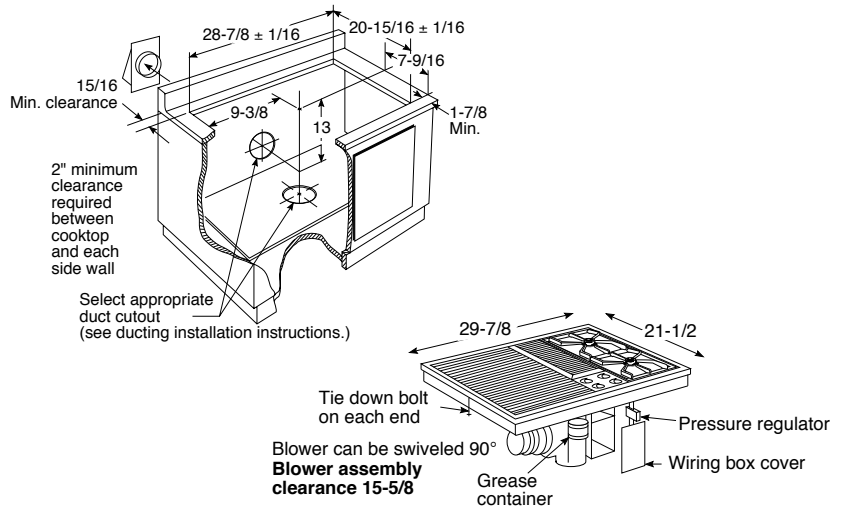
Use minimum 26-gauge galvanized or 24-gauge aluminum duct in 6" round or 3-1/4" x 10" size, or combination of both. **PVC duct or locally approved piping should be used if installing under a poured concrete slab.**

Built-In Downdraft Gas Modular Cooktops

GE Profile™	
JGP389WEV JGP389BEV	
Features	
Configuration	Single Modular
Accepts modules	Left Side
Fixed gas cooktop burners (right side)	Standard
Electronic pilotless ignition	●
Downdraft vent fan	●
Downdraft exhaust (CFM)	375
Appearance	
Color appearance	White on white Black on black
Up-front controls	●
Weight & Dimensions	
Cooktop width (in inches)	30
Overall dimensions (W x D in inches)	29-7/8 x 21-1/2
Approx. shipping weight (lbs.)	58
Power/Ratings	
Gas cooktop electrical rating	120V, 60Hz, 15A
BTU's (000's) Right side (burners)	10.0/9.0
Nat/LP Grill Unit	8.0/8.0

Note: Shipped with fixed standard gas burners, right side. Left side accepts optional modules that must be ordered and are available at additional cost.

Installation Information (in inches)



Optional Modules (Available at additional cost)

- Two-Burner Gas Module (standard burners)—
- JXGB89W—White on white
- JXGB89B—Black on black
- Gas Grill Module—JXGG89
- Griddle—JXGL89 (use with optional Grill module)
- Grill Cover—JXGC89W—White on white
- JXGC89B—Black on black

Installation Information: Before installing, consult installation instructions packed with product for current dimensional data.



30" Slide-In Electric Ranges

Features	GE Profile™			GE®		
	JS966SD JS966TD JS966KD JS966BD	JSP56WD JSP56CD JSP56BD	JSP46WD JSP46CD JSP46BD	JSP34WD JSP34CD JSP34BD	JSP26BD	JSS26BD JSS16PD
Self-clean oven w/Delay Clean option	●	●	●	●	●	Standard Clean
Variable cleaning time	●	●	●	●	●	
Automatic self-clean oven door lock	●	●	●	●	●	
Oven racks	3 Heavy-Duty	3	2	2	2	2
CleanDesign oven interior	●					
Ceramic-glass cooktop	Patterned Black True White True Bisque Patterned Black	Patterned White Patterned Bisque Patterned Black	Patterned White Patterned Bisque Patterned Black			
Lift-up porcelain-enameled cooktop				White Bisque Black	White/Bisque	Black White/Bisque
Overhanging cooktop	●	●	●	●	●	●
Removable one-piece drip bowls				Chrome	Chrome	Chrome
Dual 6/9" heating element	1 Ribbon (2500W)	1 Ribbon (2500W)	1 Ribbon (2500W)			
8" heating element			2 Ribbon (2000W)	2 Plug-In	2 Plug-In	2 Plug-In
7" heating element	2 Ribbon (1800W)	2 Ribbon (1800W)				
Bridge element	1 Ribbon (800W)	1 Ribbon (800W)				
Total wattage	4400W	4400W				
6" heating element	1 Ribbon (1500W)	1 Ribbon (1500W)	1 Ribbon (1500W)	2 Plug-In	2 Plug-In	2 Plug-In
Warming zone	1 Ribbon (120W)					
Infinite heat controls	●	●	●	●	●	●
Convection Bake	●	●	●			
Convection Roast	●	●	●			
SmartSet controls	●	●	●	●	●	
Temperature display	●	●	●	●	●	
Start pad	●	●	●	●	●	
Delay Bake option w/Cook & Hold	●	●	●	●	●	
C° or F° programmable	●	●	●	●	●	
Audible preheat signal	●	●	●	●	●	
Auto oven shut-off w/override	●	●	●	●	●	
Control lock capability	●	●	●	●	●	
Electronic clock/kitchen timer	●	●	●	●	●	●
Hot surface indicator lights	4 + Warmer	4	4			
Automatic meat thermometer	●					
Heating element "ON" indicator light	●	●	●	●	●	●
Certified Sabbath mode	●	●				
Interior oven light	Halogen	●	●	●	●	●
Storage drawer	Stainless White Bisque Black	White Bisque Black	White Bisque Black	White Bisque Black	CM*	Black CM*
Broiler pan with grid	●	●	●	●	●	●
Roasting rack	●	●				
Appearance						
Color appearance*	SS WW CC BB	WW CC BB	WW CC BB	WW CC BB	WH/CT	BB WH/CT
Frameless glass oven door	Stainless White Bisque Black	White Bisque Black	White Bisque Black	White Bisque Black	CM*	Black Painted
Oven door with window	Big ClearView™	Big ClearView	Big ClearView	●	●	●
Lift-off oven door	●	●	●	●	●	●
Designer-style handle	Integrated	Integrated	Integrated	●	●	Visor
Weights & Dimensions						
Overall oven interior dimensions (WxHxD in inches)	← 24 x 16-1/4 x 18-1/4 →		24 x 17-1/2 x 18-1/4	← 22-3/4 x 15-3/4 x 17 →		
Approx. shipping weight (lbs.)	205	200	200	175	175	160
Power/Ratings						
KW rating @ 240V	12.1	12.0	11.6	10.8	10.8	10.8
208V	9.1	9.0	8.7	8.1	8.1	8.1
Amps @ 240V	40	40	40	40	40	40
208V	40	40	40	40	40	40
Convection Wattage	2500	2500				
Broiler/Bake Wattage	3600/2700	3600/2700	3600/3400	3400/2585	3400/2585	3400/2585

*SS = Stainless steel, WW = White on white, CC = Bisque on bisque, BB = Black on black, WH = White, CT = Bisque, CM = Color-Matched indicates color of the oven door matches range cooktop and drawer face (either white or bisque).

Note: Cabinets installed adjacent to slide-in electric ranges must have an adhesion spec of at least a 194°F temperature rating.

Note: All 30" Slide-In Ranges conform to U.L. requirements for 0" spacing from range to adjacent walls below countertop. To reduce possibility of scorching the side walls above the countertop when no load is present on burners, it is recommended that a minimum 6" spacing from adjacent side wall be allowed for possible extended high-heat element operation.

Receptacle Locations: For all 30" Slide-In Ranges locally approved flexible service cord or conduit must be used because terminals are not accessible after range installation. See shaded area in drawing for location of electrical outlet box. Recommended outlet locations allow range to be installed directly against rear wall.

Installation Information: Before installing, consult installation instructions packed with product for current dimensional data.

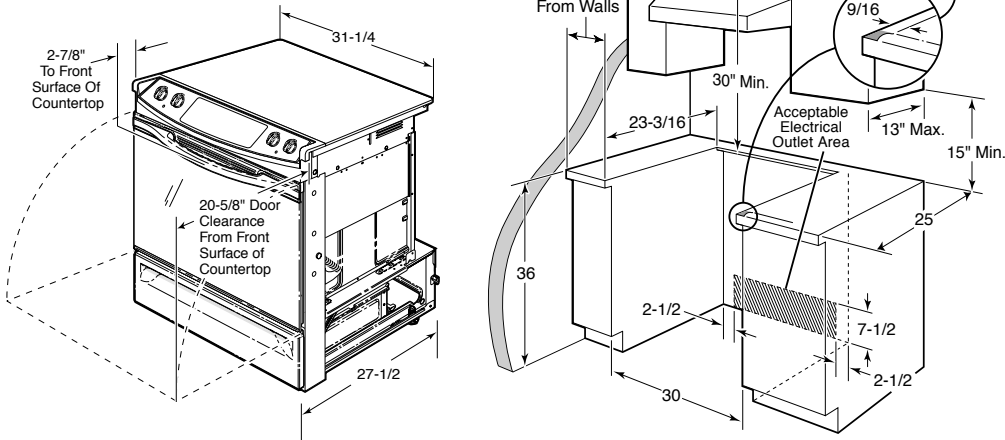


All GE ranges are equipped with an Anti-Tip device. The installation of this device is an important, required step in the installation of the range.



Listed by Underwriters Laboratories

30" Slide-In Range Dimensions (in inches)
Models JS966 and JSP56/46



Optional Kits for Slide-In Electric Ranges (Models JS966, JSP56 and JSP46)
 (Available at additional cost)

Accessory Backguards

(Attaches to the back of range as a backguard when unit is installed in 30" free-standing cutout)

- JXS39SS—Stainless
- JXS36WW—White
- JXS36CC—Bisque
- JXS36BB—Black

Body Sides

(Slide-in ranges are sold without sides installed. Can be installed on either left or right when unit has one exposed side [no cabinet adjacent]. Kit contains 1 body side)

- JXS76WW—White
- JXS76CC—Bisque
- JXS76BB—Black

Vertical Side Trim Kits

(If cabinet cutout width is more than 30", a vertical side trim kit may be used to close the gap between the range and cabinet)

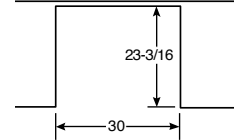
- JXS86WW—White
- JXS86CC—Bisque
- JXS86BB—Black

Lower Trim Kits

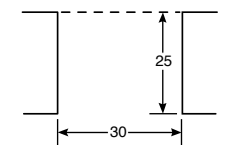
(If counter height is greater than 36.5", a lower trim kit is recommended to extend the useful height to 38" maximum)

- JXS56WW—White
- JXS56CC—Bisque
- JXS56BB—Black

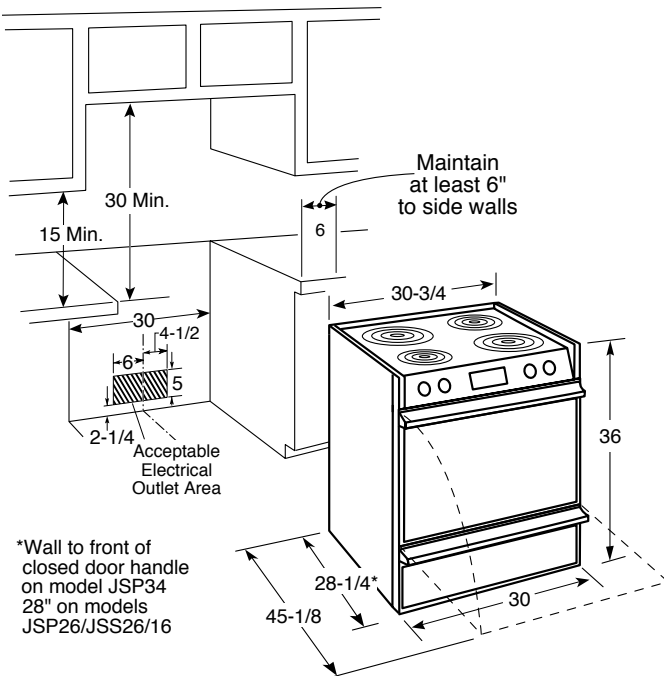
If you are NOT using the optional Filler or Backguard:



If you are using the optional Filler or Backguard:



30" Slide-In Range Dimensions (in inches)
Models JSP34/26 and JSS26/16



*Wall to front of closed door handle on model JSP34 28" on models JSP26/JSS26/16

Optional Kits for Slide-In Electric Ranges (Models JSP34/26 and JSS26/16)
 (Available at additional cost)

Rear Filler Strip Kit

JXS28—Rear Filler Strip Kit (Brushed-chrome)

Accessory Backguards

- JXS31—White Accessory Backguard
- JXS32—Brushed-Chrome Accessory Backguard
- JXS34—Black Accessory Backguard
- JXS35—Bisque Accessory Backguard

Endcap Kit

JXS40—Endcap kit to accommodate replacement where countertop may already be notched.

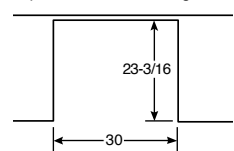
Lower/Side Trim Kits

(If countertop height is greater than 37", it is recommended to use a lower trim kit.)

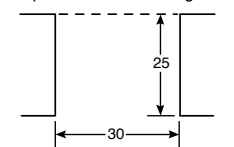
- JXS52BB—Lower trim (Black)
- JXS53WW—Lower trim (White)
- JXS55CC—Lower trim (Bisque)
- Pub. No. 3-A040—Vertical Side Trim Kit (Brushed-Chrome)

Models shown are shipped with rear filler strip kit.

If you are NOT using the optional Filler or Backguard:



If you are using the optional Filler or Backguard:



Note: Range may be placed with 0" clearance (flush) at the back wall and side walls if the range side trims extend beyond the cabinet fronts at least 1/4" (self-clean models only).

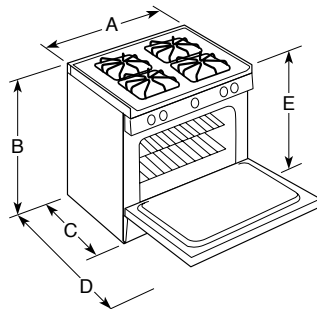
30" Slide-In Gas Ranges

Features	GE Profile™	GE®	
	JGSP44WEY JGSP44CEY JGSP44BEY	JGSP23WEY JGSP23BEY	JGSS05BEA
Self-clean oven with Delay Clean option	•	•	Extra-large Standard Clean
Variable cleaning time	•	•	
Automatic self-clean oven door lock	•	•	
Cooktop burners	Sealed	Sealed	Standard
Maximum output burner	•	•	
Standard simmer burner	•	•	
SmartSet controls	•	•	
Temperature display	•	•	
Start pad	•	•	
Delay Bake option with Cook & Hold	•	•	
C° or F° programmable	•	•	
Audible preheat signal	•	•	
Auto oven shut-off with override	•	•	
Electronic clock and kitchen timer	•	•	
Control lock capability	•	•	
Cooktop	White Glass Bisque Glass Black Glass	White Porcelain-Enameled Black Porcelain-Enameled	Black Porcelain-Enameled
Lift-up cooktop			•
One-piece drip pans	Porcelain-Enameled	Porcelain-Enameled	
Removable cooktop grates	Deluxe Cast	Standard Cast	Standard Porcelain Steel
Ignition system	Electronic	Electronic	Electronic
Oven racks	2	2	2
Broiler pan and grid	•	•	Extra-large
Interior oven light	•	•	•
Storage drawer	•	•	•
In-oven broiling	•	•	•
Slide-out broiler drawer			•
Appearance			
Color appearance*	WW CC BB	WW BB	BB
Frameless glass oven door	White Bisque Black	White Black	Black
Oven door with window	•	•	•
Lift-off oven door	•	•	•
Designer-style handle	Sure Grip	•	•
Weights & Dimensions			
Overall oven interior dimensions (WxHxD in inches)	22-3/4 x 13 x 17		24 x 17 x 19
Approx. shipping weight (lbs.)	197	192	165
Power/Ratings			
Gas range electrical rating	120V, 60Hz, 5A		
Top burners (000's BTU's) Nat/LP	(1) 12.0/9.4 (2) 9.5/7.0 (1) 5.0/4.0	(3) 9.5/7.0 (1) 5.0/4.0	(4) 9.0/8.0
Oven/broiler burners (000's BTU's) Nat/LP	16.0/16.0	16.0/16.0	16.0/16.0
Accessories			
Optional backguard (available at additional cost)	JXS31 JXS33 JXS34	JXS31 JXS34	

*WW = White on white, CC = Bisque on bisque, BB = Black on black.
Universal orifices for natural or LP gas. Factory set for natural gas. A set of LP orifices is included with each range for LP conversion.



30" Slide-In Gas Ranges Dimensions (in inches) Models JGSP44 and JGSP23



Dimensions (in inches)

Model	A*	B	C**	D	E
JGSP44	30	36-1/4	29-1/2	45-13/16	35-7/8 to 38
JGSP23	30	36-1/4	28-7/8	45-1/8	35-7/8 to 38

*Cooktop width including overhang 30-3/4".
**Depth including handle:
26-7/8"—Wall to front of closed oven door
26-1/2"—Depth to front top edge of cooktop

Optional Kits for Slide-In Gas Ranges:

(Available at additional cost on all models except JGSS05BEA)

Rear Filler Strip Kits

Models JGSP44 and JGSP23 are shipped with required "vented" rear filler strip.

Lower/Side Trim Kits

JXS52BB—Lower Trim Kit (Black)
JXS53WW—Lower Trim Kit (White)
JXS55CC—Lower Trim Kit (Bisque)
Pub. No. 3-A040 Vertical Side Trim Kit (Brushed-Chrome)

Accessory Backguards

JXS31—White Accessory Backguard
JXS32—Brushed-Chrome Accessory Backguard
JXS34—Black Accessory Backguard
JXS35—Bisque Accessory Backguard

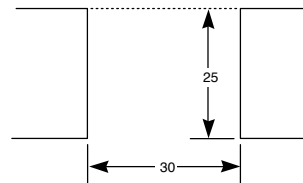
Endcap Kit

JXS40—Endcap kit to accommodate replacement where countertop may already be notched.

Optional Gas Range Wok Accessory (Available at additional cost)

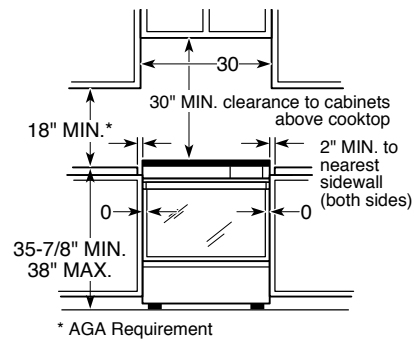
JXWK = Wok accessory holder sits on top of maximum burner grate to hold a **round-bottom** wok.

Counter Cutout Dimensions (in inches) Models JGSP44 and JGSP23

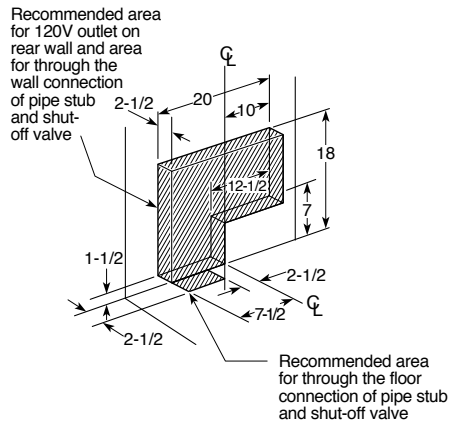


You must use the rear filler strip kit shipped with the range or the optional accessory backguard (JXS31, JXS32, JXS33, JXS34) when installing these ranges.

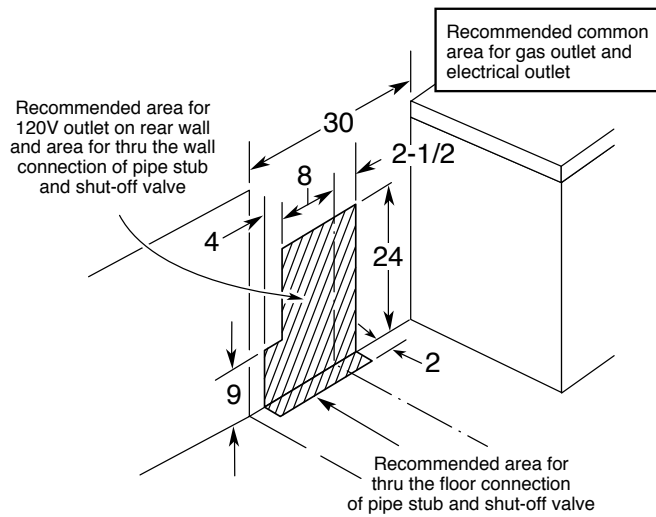
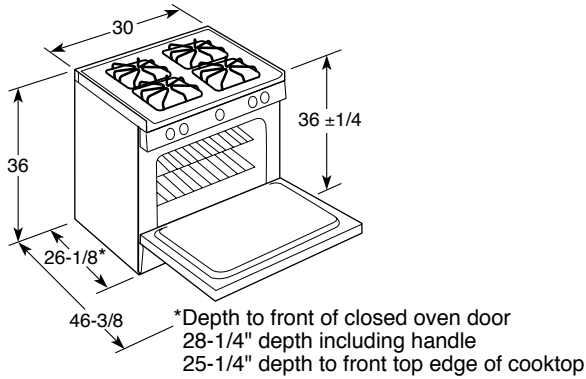
Note: Cabinets installed adjacent to slide-in ranges must have an adhesion spec of at least 194°F temperature rating.



Note: Models JGSP44WEY, JGSP44BEY, JGSP23WEY and JGSP23BEY are shipped with special "vented" rear filler strip. Post form countertops may not be used when installing this range. The filler strip (provided) or optional backguard kit is required for installation.



30" Slide-In Gas Range Dimensions (in inches)
Model JGSS05

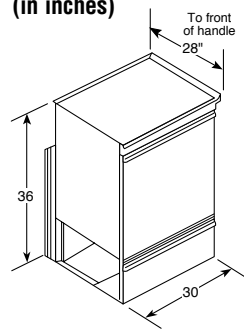


Installation Information: Before installing, consult installation instructions packed with product for current dimensional data.

30" Slide-In Downdraft Ranges

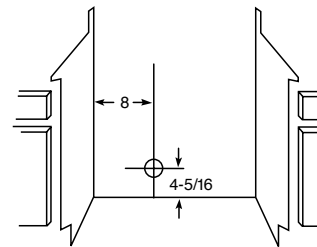
	GE
	JSP69WV JSP69BV
Features	
Self-clean oven	•
Automatic self-clean oven door lock	•
Oven racks	2
Porcelain-enameled modular cooktop	•
Electronic digital clock and timer	•
Delay Bake option	•
Preheat signal	•
Electronic oven control	•
Downdraft venting	•
Two-speed exhaust fan	•
Interior oven light	•
Storage drawer (1/2 depth)	•
Broiler pan with grid	•
Appearance	
Color appearance*	WW BB
Glass oven door	•
Oven door with window	•
Designer-style handle	•
Weight & Dimensions	
Overall oven interior dimensions (WxHxD in inches)	23 x 16 x 17
Approx. shipping weight (lbs.)	171
Power/Ratings	
KW rating @ 240V	14.0
208V	—
Amps @ 240V	40
208V	—

Range Dimensions (in inches)

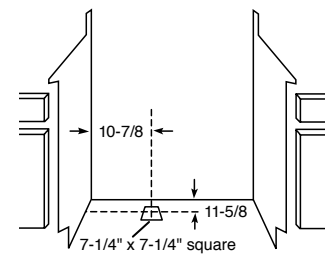


Downdraft Installation Dimensions (in inches)

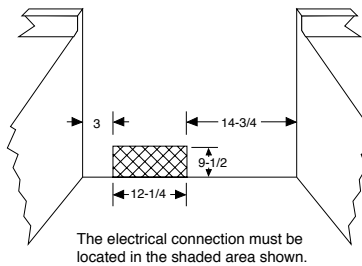
Clearance for ducting into wall



Cutout location for ducting into floor

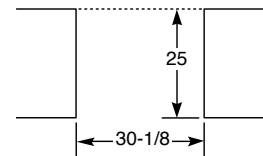


Receptacle Location (in inches)



Receptacle Locations: For all 30" Slide-In Ranges locally approved flexible service cord or conduit must be used because terminals are not accessible after range installation. See shaded area in drawing for location of electrical outlet box. Recommended outlet locations allow range to be installed directly against rear wall.

Counter Cutout Dimensions (in inches)



Note: 30" ranges conform to U.L. requirements for 0" spacing from walls below countertops. However, some kitchen cabinet finishes can be damaged by heat from the heating elements. It is recommended that a clearance of at least 1-1/4" be maintained to adjacent walls. Where varnished wood or plastic film finishes are used, a minimum clearance of 6" should be maintained.

Installation Information: Before installing, consult installation instructions packed with product for current dimensional data.

Optional Modules (Available at additional cost)

- Radiant Module—JXGR63B
- Griddle Accessory—JXGL90
- Grill Module—JXGG50
- Coil Modules—JXGC53W, White on white
—JXGC53B, Black on black



30" Drop-In Electric Ranges

Features	GE Profile™		GE®		
	JD966SD JD966TD JD966KD JD966BD	JDP46WD JDP46CD JDP46BD	JDP39WW JDP39BW	JDP36BW JDP36BD	JDS26BW JDS26BD
Self-clean oven w/Delay Clean option	●	●	●	●	Standard Clean
Variable cleaning time	●	●	●	●	
Automatic self-clean oven door lock	●	●	●	●	
Oven racks	3 Heavy-Duty	2	2	2	2
CleanDesign oven interior	●				
Ceramic-glass cooktop	Black True White True Bisque Black	Patterned White Patterned Bisque Patterned Black	White Porc.-Enam. Black Porc.-Enam.	White Porc.-Enam. Bisque Porc.-Enam.	White Porc.-Enam. Bisque Porc.-Enam.
Lift-up overhanging cooktop					
Dual 6"/9" heating element	1 Ribbon(2500W)	1 Ribbon(2500W)			
8" heating elements		2 Ribbon (2000W)	2 Plug-in	2 Plug-in	2 Plug-in
7" heating elements	2 Ribbon (1800W)				
Bridge element	1 Ribbon (800W)				
Total wattage	4400W				
6" heating elements	1 Ribbon (1500W)	1 Ribbon (1500W)	2 Plug-in	2 Plug-in	2 Plug-in
Warming zone	1 Ribbon (120W)				
Infinite heat controls	●	●	●	●	●
Convection bake	●				
Convection roast	●				
Removable one-piece drip bowls			Chrome Black Porc.-Enam.	Chrome	Chrome
SmartSet controls	●	●	●	●	●
Temperature display	●	●	●	●	●
Start pad	●	●	●	●	●
Delay Bake option w/Cook & Hold	●	●	●	●	●
C° or F° programmable	●	●	●	●	●
Audible preheat signal	●	●	●	●	●
Auto oven shut-off w/override	●	●	●	●	●
Control lock capability	●	●	●	●	●
Electronic clock and kitchen timer	●	●	●	●	●
Automatic meat thermometer	●				
Hot surface indicator lights	4 + Warmer	4			
Heating element "ON" indicator light		●	●	●	●
Certified Sabbath mode	●				
Interior oven light	Halogen	●			
Broiler pan with grid	●	●	●	●	●
Roasting rack	●				
Appearance					
Color appearance*	SS WW CC BB	WW CC BB	WW BB	WH CT	WH CT
Frameless glass oven door	Stainless White Bisque Black	White Bisque Black	White Black	Black	Black
Oven door with window	Big ClearView™	Big ClearView	●	●	●
Lift-off oven door	●	●	●	●	●
Designer-style handle	Integrated	Integrated	●	●	●
Weights & Dimensions					
Overall oven interior (WxHxD in inches)	24 x 16-1/4 x 18-1/4	24 x 17-1/2 x 18-1/4	← 22-3/4 x 15-3/4 x 17 →		
Approx. shipping weight (lbs.)	175	160	144	144	128
Power/Ratings					
Convection wattage	2500				
Broiler/Bake wattage	3600/2700	3600/3400	3400/2585	3400/2585	3400/2585
12KW rating @ 240V 208V	12.1 9.1	11.6 8.7	11.6 8.7	11.6 8.7	11.6 8.7
Amps @ 240V 208V	40 40	40 40	40 40	40 40	40 40

*SS = Stainless Steel, WW = White on white, CC = Bisque on bisque, BB = Black on black, WH = White, CT = Bisque.

Optional Kits For JD966/JDP46 Electric Ranges (Available At Additional Cost)

Maintop Filler

(Fills gap between cooktop and wall when unit is installed in 30" free-standing cutout)
 JXS66WW—White
 JXS66CC—Bisque
 JXS66BB—Black

Accessory Backguards

(Attaches to the back of range as a backguard when unit is installed in 30" free-standing cutout)
 JXS39SS—Stainless
 JXS36WW—White
 JXS36CC—Bisque
 JXS36BB—Black

Lower Trim Kits

(When a drop-in is installed in an existing cutout greater than 26-3/4" from the counter to the cabinet cross-rail, a lower trim kit should be used to fill the gap at the bottom of the range)
 JXS96WW—White
 JXS96CC—Bisque
 JXS96BB—Black

Note: Cabinets installed adjacent to drop-in electric ranges must have an adhesion spec of at least a 194°F temperature rating.

Note: All 30" Drop-In Radiant Ranges conform to U.L. requirements for 0" spacing from range to adjacent walls below countertop. To reduce possibility of scorching the side walls above the countertop when no load is present on burners, it is recommended that a minimum 6" spacing from adjacent side wall be allowed for possible extended high-heat element operation.

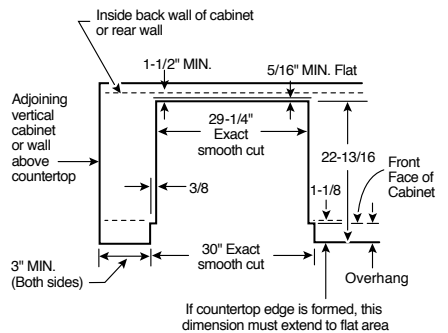
Installation Information: Before installing, consult installation instructions packed with product for current dimensional data.

IMPORTANT: 30" DROP-IN RANGES ARE DESIGNED TO HANG FROM THE COUNTERTOP. IT DOES NOT REST ON THE FLOOR. FOR INSTALLATION ALTERNATIVES, REFER TO INSTALLATION INSTRUCTIONS PACKED WITH PRODUCT.

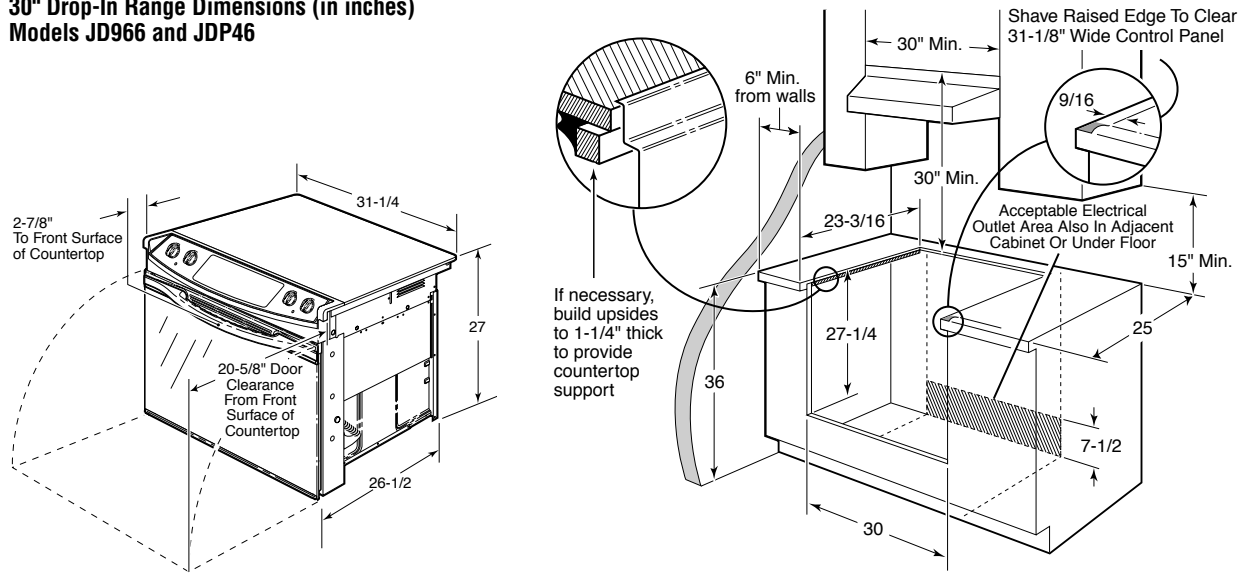


All GE ranges are equipped with an Anti-Tip device. The installation of this device is an important, required step in the installation of the range.

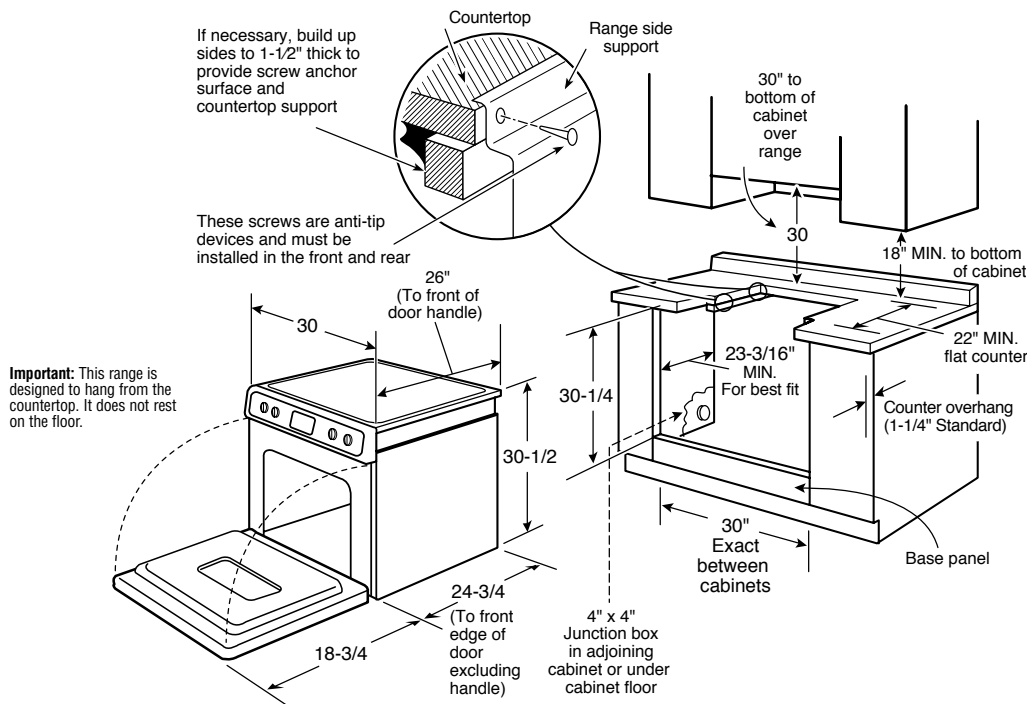
Countertop Cutout—Top View Models JDP39/36 and JDS26



**30" Drop-In Range Dimensions (in inches)
Models JD966 and JDP46**



**30" Drop-In Range Dimensions (in inches)
Models JDP39/36 and JDS26**



Spacemaker™ 27" Drop-In Electric Ranges

Features	GE Profile™	GE®	
	JMP31WC	JMP28BC JMP28BD	JMS08BD
Oven cleaning	Self-Clean	Self-Clean	Standard Clean
Variable cleaning time	●	●	
Automatic self-clean oven door lock	●	●	
Oven racks	2	2	2
Lift-up overhanging cooktop	White Porcelain-Enameled	White Porc.-Enam. Bisque Porc.-Enam.	White or Bisque Porcelain-Enameled
8" heating elements	1	1	1
6" heating elements	3	3	3
Plug-in Calrod® heating elements	●	●	●
Infinite heat controls	●	●	●
Removable one-piece drip bowls	Chrome	Chrome	Chrome
Electronic clock and kitchen timer	●	●	●
Delay Bake option	●	●	●
Auto oven shut-off	●	●	●
Electronic oven control	●	●	●
Heating element "ON" indicator light	●	●	●
Interior oven light	●	●	●
Broiler pan with grid	●	●	●
Appearance			
Color appearance*	WW	WH CT	WH/CT
Frameless oven door	White Glass	Black Glass	Black Glass
Oven door with window	Big View	Big View	Big View
Lift-off oven door	●	●	●
Designer-style handle	Sure Grip	●	●
Weights & Dimensions			
Overall oven interior dimensions (WxHxD in inches)	19 x 15 x 18		
Approx. shipping weight (lbs.)	119	119	119
Power/Ratings			
KW rating @ 240V	9.8	9.8	10.1
208V	7.3	7.3	7.6
Amps @ 240V	40	40	40
208V	40	40	40

*WW = White on white, WH = White, CT = Bisque.

Optional Backguard

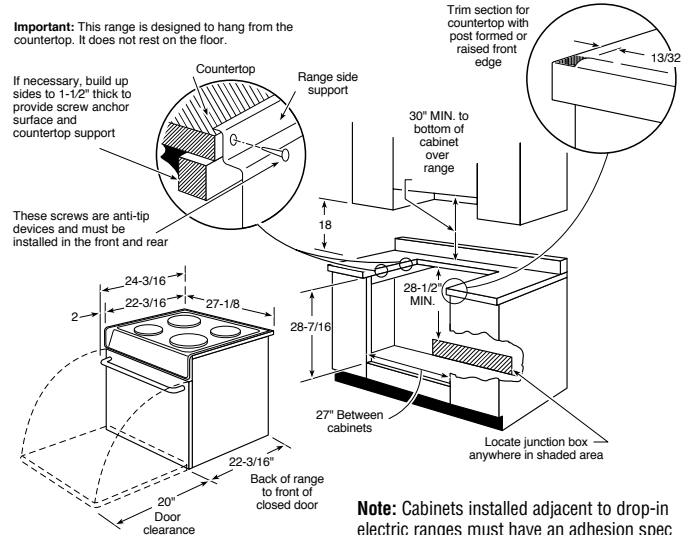
(Available at additional cost)

JX27RBK = Black
JX27RWH = White
JX27RAD = Almond

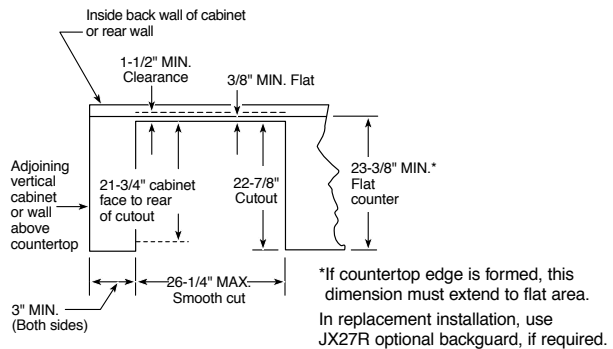
Note: All 27" Drop-In Electric Ranges conform to U.L. requirements for minimum spacing between range and side wall below countertop.

Installation Information: Before installing, consult installation instructions packed with product for current dimensional data.

27" Drop-In Range Dimensions (in inches)



Countertop Cutout—Top View



Installation/Specifications for 30" Free-Standing CleanDesign Electric Ranges

Cabinet Dimensions (in inches)

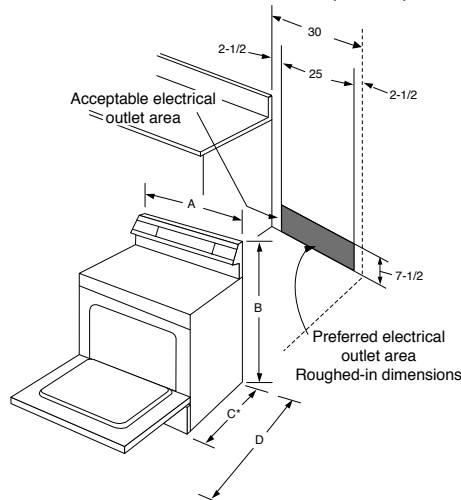
Model	A	B	C*	D
JBP95	29-7/8	46-1/2	25-3/8	47-5/8
JBP90	29-7/8	46-1/2	25-3/8	47-5/8
JBP82	29-7/8	44-7/16	25-3/8	47-5/8
JBP80	29-7/8	44-7/16	25-3/8	47-5/8
JBP69	29-7/8	44-7/16	25-3/8	47-5/8
JBP68	29-7/8	44-7/16	25-3/8	47-5/8
JBP66	29-7/8	44-7/16	25-3/8	47-5/8
JBP64	29-7/8	44-7/16	25-3/8	47-5/8

*Dimension from wall to front of closed oven door handle is 27-3/8" on models JBP95/90/82/80; and 27-3/4" on models JBP69/68/66/64.

Note: Conforms to U.L. requirements for 0" spacing for adjacent walls below countertops. To reduce possibility of scorching of walls, it is recommended a minimum of 1-1/2" spacing be allowed from adjacent side walls to allow for possible extended, high-heat, no-load heating element operation.

Receptacle Locations: For 30" Free-Standing Ranges locally approved flexible service cord or conduit must be used because terminals are not accessible after range installation. See shaded area drawing for location of electrical outlet box. Recommended outlet locations allow range to be installed directly against wall.

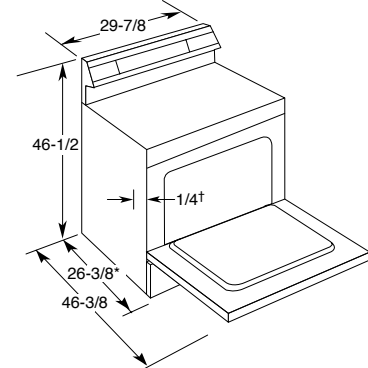
Dimensions and Installation Information (in inches)



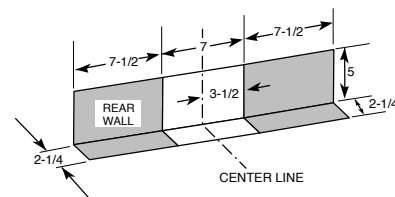
All GE ranges are equipped with an Anti-Tip device. The installation of this device is an important, required step in the installation of the range.

Electric Free-Standing Range Anti-Tip Bracket (Part No. 164D3799P002)
JBP95/90/82/80/69/68/66/64/48/35/30/26/24, JBS05
Anti-Tip Bracket (Part No. 183D6270P001)
JBP61/60/21, JBS27/26/07/03

Dimensions and Installation Information (in inches) for Models JBP61/60 only



*Dimension from wall to front of closed oven door handle is 27-1/2".



Installation Information: Before installing, consult installation instructions packed with range for current dimensional data.



Listed by Underwriters Laboratories

30" Free-Standing CleanDesign Electric Ranges

Refrigeration

Cooking Products

Microwave Ovens

Dishwashers

Clothes Care

Water Systems

Air Conditioning

Features	GE Profile™		GE®							
	JBP95SF JBP95TF JBP95KF JBP95BF	JBP90SF JBP90TF JBP90KF JBP90BF	JBP82SF JBP82TF JBP82WF JBP82KF JBP82CF JBP82BF	JBP80SF JBP80TF JBP80WF JBP80KF JBP80CF JBP80BF	JBP69WD JBP69CD JBP69BD	JBP66WB JBP66CB JBP66BB	JBP68WD JBP68CD	JBP64WB JBP64BB	JBP61BD	JBP60BC
Self-clean oven	Convection	Convection	●	●	●	●	●	●	●	●
Self-clean latch	Auto	Auto	Auto	●	●	●	●	●	●	●
Oven capacity (cu. ft.)	4.5	4.5	5.0	5.0	5.0	5.0	5.0	5.0	5.0	5.0
CleanDesign oven Interior	●									
Oven racks	3 heavy-duty	3	2	2	2	2	2	2	2	2
Self-clean oven racks	●									
Ceramic-glass cooktop	Black True white True bisque Black	Black True white True bisque Black	Black True white Patterned White True bisque Patterned Bisque Black	Black True white Patterned White True bisque Patterned Bisque Black	Patterned White Patterned Bisque Black	Patterned White Patterned Bisque Black	Patterned White Patterned Bisque	Patterned White Black	Black	Patterned White
One-piece upswept cooktop	●	●	●	●	●	●	●	●	●	●
Dual 6 9/16" Ribbon heating element	1 (1000/2500W)	1 (1000/2500W)	1 (1000/2500W)	1 (1000/2500W)						
8" Ribbon heating elements		1 (2000W)		1 (2000W)	2 (2000W)	2 (2000W)	2 (2000W)	2 (2000W)	2 (2000W)	2 (2000W)
7" Ribbon heating element	2 (1800W)		2 (1800W)							
Bridge element	1 (800W)		1 (800W)							
Total wattage	4400		4400							
6" Ribbon heating elements	1 (1500W)	2 (1500W)	1 (1500W)	2 (1500W)	2 (1500W)	2 (1500W)	2 (1500W)	2 (1500W)	2 (1500W)	2 (1500W)
6" Warming zone	1 (140W)	1 (140W)	1 (140W)	1 (140W)						
Infinite heat controls	●	●	●	●	●	●	●	●	●	●
TrueTemp™ system	●	●	●	●	●	●	●	●	●	●
SmartLogic™ controls	●	●	●	●	●	●	●	●	●	●
Six-pass power bake element	●	●	●	●	●	●	●	●	●	●
Convection bake	●	●								
Convection roast	●	●								
Convenience controls	●	●	●	●	●	●	●	●	●	●
QuickSet oven controls	QuickSet V	QuickSet V	QuickSet IV	QuickSet IV	QuickSet III	QuickSet III	QuickSet II	QuickSet II	QuickSet II	QuickSet I
Digital temperature display	●	●	●	●	●	●	●	●	●	●
Oven function icons	●	●	●	●						
Digipad numeric entry	●	●	●	●						
Convection conversion	●	●	●	●						
Delay bake	●	●	●	●	●	●				
Oven light pad	●	●								
Control lock capability	●	●	●	●						
Start pad	●	●	●	●						
Self-clean cool-down time display	●	●	●	●	●	●	●	●	●	●
Auto self-clean	●	●	●	●	●	●	●	●	●	●
Delay clean option	●	●	●	●	●	●				
Auto oven shut-off	w/override	w/override	w/override	w/override	w/override	w/override	w/override	w/override	w/override	w/override
Certified Sabbath mode	●	●	●	●	●	●	●	●	●	●
Audible preheat signal	●	●	●	●	●	●	●	●	●	●
Dual element bake	●	●	●	●	●	●	●	●	●	●
Automatic meat thermometer	●	●	●	●	●	●	●	●	●	●
Hot surface lights	●	●	●	●	●	●	●	●	●	●
Oven "ON" light	●	●	●	●	●	●	●	●	●	●
Self-clean cycle light	●	●	●	●	●	●	●	●	●	●
Interior oven light	Auto/Pad	Auto/Pad	Switch	Switch	Switch	Switch	Switch	Switch	Switch	
Storage drawer	Stainless steel White Bisque Black	Stainless steel White Bisque Black	Stainless steel White White Bisque Bisque Black	Black White White Bisque Bisque Black	White Bisque Black	White Bisque CM*	White Bisque	White CM*	White	White
Broiler pan/grid	●	●	●	●	●	●	●	●	●	●
Roasting rack	●	●								
Appearance										
Color appearance*	SS WW CC BB	SS WW CC BB	SS WW CC BB	SB WW CC BB	WW CC BB	WW CC WH/CT	WW CC	WW WH/CT	WH	WH
Frameless glass oven door	Stainless steel White Bisque Black	Stainless steel White Bisque Black	Stainless steel White White Bisque Bisque Black	Stainless color White White Bisque Bisque Black	White Bisque Black	White Bisque Black	White Bisque	White Black	Black	Black
Oven door with window	Big ClearView™	Big ClearView	Big ClearView	Big ClearView	Big View	●	Big View	●	●	●
Designer-style handle	Sure Grip	Sure Grip	●	●	●	●	●	●	●	●
Weights & Dimensions										
Overall oven interior dimensions (WxHxD in inches)	← 24-1/4 x 19 x 19 →								23-3/4 x 19 x 18-1/2	
Approx. shipping weight (lbs.)	210	205	198	198	175	175	174	174	174	165
Power/Ratings										
KW rating @ 240V	12.4	11.5	11.0	11.0	10.5	10.5	10.5	10.5	10.5	10.5
208V	9.3	8.3	8.3	8.3	7.9	7.9	7.9	7.9	7.9	7.9
Accessories										
Cooktop cleaning creme & pad	●	●	●	●	●	●	●	●	●	●

*SS = Stainless steel, SB = Stainless color, WW = White on white, CC = Bisque on bisque, BB = Black on black, WH = White, CT = Bisque
CM = Color-Matched indicates color of drawer matches range cooktop (either white or bisque).

See page 162 for warranty information.

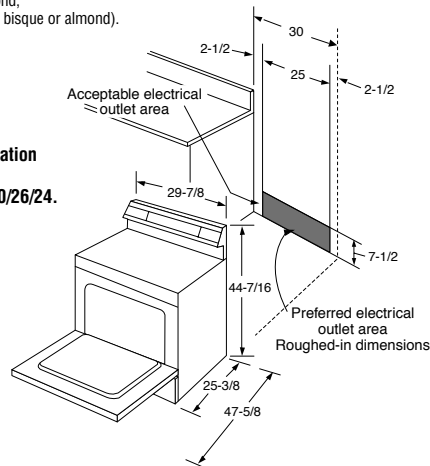
30" Free-Standing QuickClean™ Electric Ranges

Features	GE Profile™	GE®									
	JBP48WB JBP48CB JBP48BB	JBP35WB JBP35CD JBP35ED JBP35BB	JBP30WB JBP30CB JBP30BB	JBP26WB JBP26CB JBP26ED JBP26BB	JBP24WB JBP24BB	JBP21WC JBP21BC	JBS27WC JBS27CC JBS27BC	JBS26C	JBS07C	JBS05Y	JBS03BC JBS03C
Oven cleaning	Self-Clean	Self-Clean	Self-Clean	Self-Clean	Self-Clean	Self-Clean	Standard	Standard	Standard	Standard	Standard
Oven capacity (cu. ft.)	5.0	5.0	5.0	5.0	5.0	5.0	5.0	5.0	5.0	3.7	5.0
Oven racks	2	2	2	2	2	2	2	2	2	2	2
Upswept porcelain-enameled cooktop	●	●	●	●	●	●	●	●	●	●	●
Clean-Well™ cooktop system	●	●	●	●	●	●	●	●	●	●	●
Lift-up cooktop w/dual support rods	●	●	●	●	●	●	●	●	●	●	●
8" heating elements	2 (6 turns)	2 (6 turns)	2 (6 turns)	2 (5 turns)	2 (5 turns)	2 (5 turns)	2 (5 turns)	2 (4 turns)	1 (5 turns)	1 (4 turns)	1 (5 turns)
6" heating elements	2 (5 turns)	2 (5 turns)	2 (5 turns)	2 (4 turns)	2 (4 turns)	2 (4 turns)	2 (4 turns)	2 (3 turns)	3 (4 turns)	3 (3 turns)	3 (4 turns)
Warming option	●										
Infinite heat controls	●	●	●	●	●	●	●	●	●	●	●
Plug-in Calrod® heating elements	●	●	●	●	●	●	●	●	●	●	●
Removable 1-piece drip bowls	Grey Black Black	Black	Grey Black Black	Chrome	Chrome	Chrome	Chrome	Chrome	Chrome	Chrome	Chrome
TrueTemp™ system	●	●	●	●							
SmartLogic™ controls	●	●	●	●							
Six-pass power bake element	●	●	●	●							
Convenience controls	●	●	●	●	●	●					
QuickSet oven controls	QuickSet IV	QuickSet III	QuickSet III	QuickSet III	QuickSet II	QuickSet II					
Digital temperature display	●	●	●	●	●	●					
Electronic oven controls	●	●	●	●	●	●					
Auto oven shut-off	w/override	w/override	w/override	w/override	w/override	w/override					
Control lock capability	●										
Start pad	●										
Delay clean option	●	●	●	●							
Auto self-clean	●	●	●	●	●	●					
Self-clean cool down display	●	●	●	●	●	●					
Audible preheat signal	●	●	●	●	●	●					
Certified Sabbath mode	●	●	●	●	●	●					
Clock and minute timer	●	●	●	●	●	●	●	●			
Dual element bake	●	●	●	●	●	●	●	●	●	●	●
Heating element "ON" indicator light	●	●	●	●	●	●	●	●	●	●	●
Interior oven light	Auto/Switch in display	Switch	Switch	Switch	Switch	Switch	Switch	Switch	Switch	Switch	
Preheated oven light		●	●	●	●	●					
Removable full-width storage drawer	White Bisque Black	CM*	White Bisque CM*	White Bisque Black CM*	White CM*	White CM*	White Bisque CM*	CM*	White	CM*	CM*
Broiler pan with grid	●	●	●	●	●	●	●	●	●	●	●
Appearance											
Color appearance*	WW CC BB	WW CC BB WH/CT	WW CC BB WH/CT	WW CC BB WH/CT	WW WH/CT	WW WH/CT/AD	WW CC WH/CT	WH/CT	WW	WH/AD	WH/CT WH/CT/AD
Frameless glass oven door*	White Bisque Black	Black	White Bisque Black	White Bisque Black Black	White Black	White Black	White Bisque Black	CM*	White	CM*	Black CM*
Oven door with window	Big View	Big View	●	●	●	●	●	●	●	●	●
Removable oven door	●	●	●	●	●	●	●	●	●	●	●
Designer-style handle	Sure Grip	●	●	●	●	●	●	●	●	Visor	Visor
Textured steel side panels	●	●	●	●	●	●	●	●	●	●	●
Weights & Dimensions											
Overall oven interior dimensions (WxHxD in inches)	← 24-1/4 x 19 x 19 →					← 23-3/4 x 19 x 18-1/2 →				22-3/4 x 15-3/4 x 17	23-3/4 x 19 x 18-1/2
Approx. shipping weight (lbs.)	176	173	170	172	170	144	158	159	141	157	154
Power/Ratings											
KW rating @ 240V	11.7	11.7	11.7	11.7	11.7	11.7	12.6	11.1	11.5	9.3	11.4
208V	8.8	8.8	8.8	8.8	8.8	8.1	9.9	8.8	9.1	6.9	9.0

*WW = White on white, CC = Bisque on bisque, BB = Black on black, WH = White, CT = Bisque, AD = Almond, CM = Color-Matched indicates color of oven door or storage drawer matches range cooktop (either white, bisque or almond).



Dimensions and Installation Information (in inches) for models JBP48/35/30/26/24.

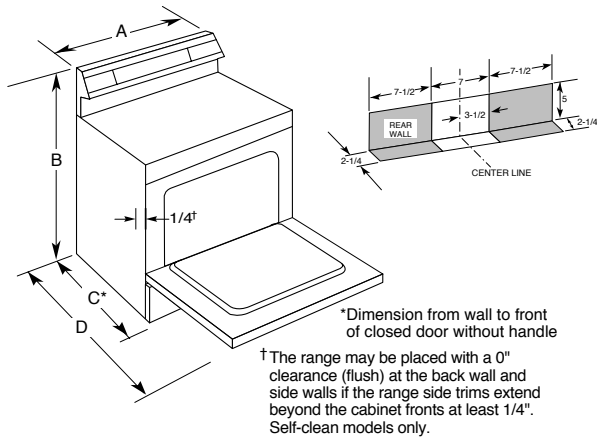


Note: 30" ranges conform to U.L. requirements for 0" spacing from adjacent walls below countertops. To reduce possible scorching of walls, engineering recommends a minimum of 1-1/2" spacing to allow for possible extended, high heat, no-load heating element operation.

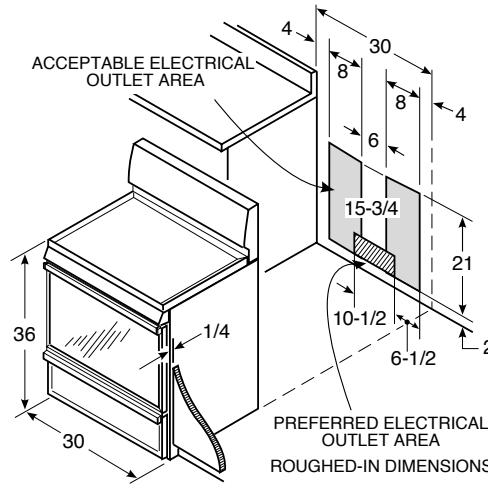
Receptacle Locations: Locally approved flexible service cord or conduit must be used because terminals are not accessible after range installation. See shaded area in drawing for location of electrical outlet box. Recommended outlet locations allow range to be installed directly against wall.

30" Free-Standing QuickClean™ Electric Ranges (continued)

Dimensions and Installation Information (in inches)
for models JBP21 and JBS27/26/07/03.



Dimensions and Installation Information (in inches)
for model JBS05



Cabinet Dimensions (in inches)

Model	A	B	C*	D
JBP21	29-7/8	46-1/2	26-3/8	46-3/8
JBS27	29-7/8	46-1/2	26-3/8	46-3/8
JBS26	29-7/8	46-1/2	26-1/4	46-1/4
JBS07	29-7/8	46-1/2	26-1/4	46-1/4
JBS05	29-7/8	44-5/8	25-5/16	45-1/2
JBS03BC	29-7/8	46-1/2	26-3/8	46-3/8
JBS03C	29-7/8	46-1/2	26-1/4	46-1/4

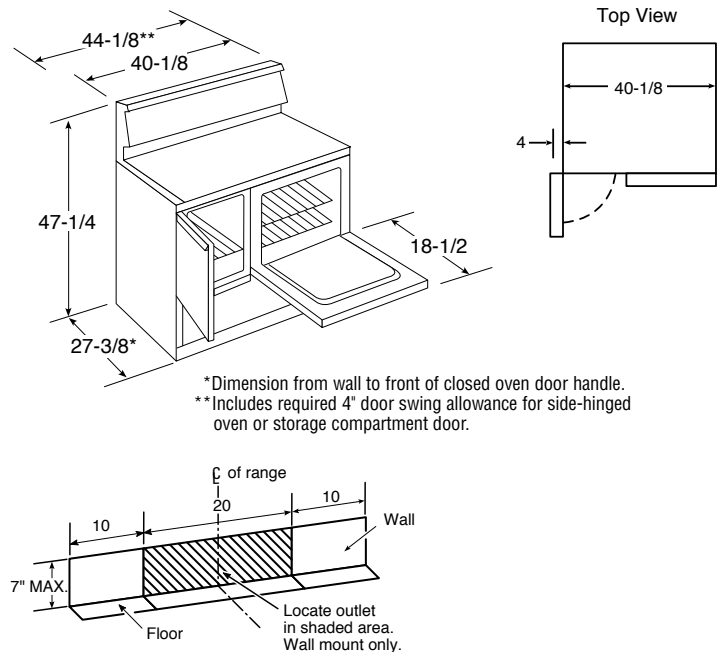
*Dimension from wall to front of closed oven door handle is 28-1/2" on model JBS27/03BC; 28-3/8" on JBS26/07; 28" on JBS03C; 27-1/8" on JBS05Y.

40" Electric Ranges

Features	GE	
	JCP67Y	JCS57Y
Oven cleaning	Master Oven—Self-Clean Companion Oven—Standard	Standard
Oven racks	Master Oven—2 Companion Oven—1	Master Oven—2
8" heating elements	2	2
6" heating elements	2	2
Removable drip bowls	One-Piece Chrome	One-Piece Chrome
Clock and minute timer	Electronic	Electronic
Automatic oven timer	Master	
Heating element "ON" indicator light	•	•
Interior oven light	•	•
Full-width fluorescent cooktop night light	•	•
Oven cycling light	2	•
Storage drawer	•	•
Broiler pan with grid	Master Oven—1 Companion Oven—1	Master Oven—1
Appearance		
Color appearance*	WW	WW
Oven door with window	Master Oven	•
Removable oven door	Master	•
Weights & Dimensions		
Overall oven interior dimensions (WxHxD in inches)	Master Oven— 22-5/8 x 15-7/8 x 18-1/8 Companion Oven— 9-9/16 x 16 x 19-1/2	22-5/8 x 15-7/8 x 18-1/8
Approx. shipping weight (lbs.)	224	197
Power/Ratings		
KW rating @ 240V	14.2	12.6
208V	10.7	9.5

*WW = White on white.

40" Range Dimensions and Installation Information (in inches)



Receptacle Locations: For all 40" Free-Standing Ranges locally approved flexible service cord or conduit must be used because terminals are not accessible after range installation. See shaded area in drawing for location of electrical outlet box. Recommended outlet locations allow range to be installed directly against rear wall.

Installation Information: Before installing, consult installation instructions packed with product for current dimensional data.



All GE ranges are equipped with an Anti-Tip device. The installation of this device is an important, required step in the installation of the range.

Electric Free-Standing Range Anti-Tip Bracket (Part No. 164D3799P002)
JBP95/90/82/80/69/68/66/64/48/35/30/26/24, JBS05

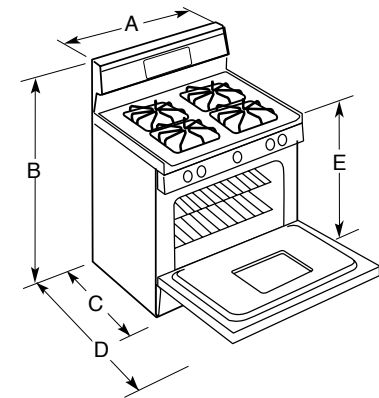
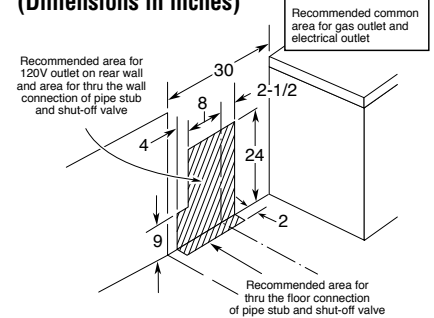
Anti-Tip Bracket (Part No. 183D6270P001)
JBP61/60/21, JBS27/26/07/03

See page 162 for warranty information.

30" Self-Clean Gas Ranges

	GE Profile Performance™		GE Profile™			
Sealed Burner Models						
	JGB920SEC JGB920TEC JGB920KEC JGB920BEC	JGB910SEC JGB910WEC JGB910CEC JGB910BEC	JGB90MEB	JGBP86WEB JGBP86CEB JGBP86BEB	JGBP85WEB JGBP85CEB JGBP85BEB	JGBP79MEF JGBP79WEB JGBP79CEB JGBP79BEB
Capacity						
Extra-large oven	•	•	•	•	•	•
Features						
Oven cleaning	Self-Clean	Self-Clean	Self-Clean	Self-Clean	Self-Clean	Self-Clean
	Black True White True Bisque					
Ceramic-glass cooktop	Black					
Cooktop burners	Sealed	Sealed	Sealed	Sealed	Sealed	Sealed
Maximum Output burner (Nat.)	(2) 12,000/ 1,600 BTU	(2) 12,000/ 1,000 BTU	(2) 12,000/ 1,000 BTU	(2) 12,000/ 1,000 BTU	(2) 12,000/ 1,000 BTU	(2) 12,000/ 1,000 BTU
Precise Simmer burner (Nat.)	(1) 5,200/950 BTU	(1) 5,000/600 BTU	(1) 5,000/600 BTU	(1) 5,000/600 BTU	(1) 5,000/600 BTU	(1) 5,000/600 BTU
All-purpose burners (Nat.)	(1) 9,500/1250 BTU	(1) 9,500/850 BTU	(1) 9,500/850 BTU	(1) 9,500/850 BTU	(1) 9,500/850 BTU	(1) 9,500/850 BTU
Warming zone (120 Watts)	•					
Warming zone hot light	•					
Valves (degree of turn)	270	270	270	270	270	270
TrueTemp™ system	•	•	•	•	•	•
SmartLogic™ controls	•	•	•	•	•	•
Convection bake	•	•				
Convection roast	•	•				
QuickSet oven controls	QuickSet V	QuickSet V	QuickSet V	QuickSet V	QuickSet V	QuickSet IV
Auto Self-Clean	•	•	•	•	•	•
Electronic oven control	•	•	•	•	•	•
Hi/Low broil	•	•	•	•	•	•
Electronic clock and timer	•	•	•	•	•	•
Automatic oven timer	•	•	•	•	•	•
Audible preheat signal	•	•	•	•	•	•
Auto oven shut-off	•	•	•	•	•	•
Certified Sabbath mode	•					
One-piece upswept cooktop	Porc.-Enam.	Porc.-Enam.	Porc.-Enam.	Porc.-Enam.	Porc.-Enam.	Porc.-Enam.
		Black Grey Taupe Black	Black	Grey Taupe Black	Grey Taupe Black	Black Grey Taupe Black
Porcelain-enameled one-piece drip pans	Black Hvy.-Cast Grey Hvy.-Cast Taupe Hvy.-Cast Black Hvy.-Cast	Black Hvy.-Cast Grey Hvy.-Cast Taupe Hvy.-Cast Black Hvy.-Cast	Profes. Grates	Profes. Grates Grey Taupe Black	Grey Hvy.-Cast Taupe Hvy.-Cast Black Hvy.-Cast	Black Hvy.-Cast Grey Hvy.-Cast Taupe Hvy.-Cast Black Hvy.-Cast
Removable square grates	Black Hvy.-Cast Grey Hvy.-Cast Taupe Hvy.-Cast Black Hvy.-Cast	Black Hvy.-Cast Grey Hvy.-Cast Taupe Hvy.-Cast Black Hvy.-Cast	Profes. Grates	Profes. Grates Grey Taupe Black	Grey Hvy.-Cast Taupe Hvy.-Cast Black Hvy.-Cast	Black Hvy.-Cast Grey Hvy.-Cast Taupe Hvy.-Cast Black Hvy.-Cast
Ignition system	Electronic	Electronic	Electronic	Electronic	Electronic	Electronic
Oven racks	3	3	3	3	3	3
Six embossed rack positions	•	•	•	•	•	•
Extra-large broiler pan/grid	•	•	•	•	•	•
Scratch-resistant backguard	Glass	Glass	Soft Stainless	Glass	Glass	Soft Stainless Porc.-Enam.
Fluorescent cooktop light (excludes stainless models)	•	•	•	•	•	•
Interior oven light	•	•	•	•	•	•
Warming drawer	450 Watt	450 Watt	450 Watt	450 Watt	450 Watt	450 Watt
Infinite control	•	•	•	•	•	•
Temp. settings (lo, med, high)	150° - 220° F	150° - 220° F	150° - 220° F	150° - 220° F	150° - 220° F	150° - 220° F
Stainless steel insert	•	•	•	•	•	•
In-oven broiling	•	•	•	•	•	•
Appearance						
	SS WW CC BB	SS WW CC BB	BC	WW CC BB	WW CC BB	BC WW CC BB
Color appearance*						
Frameless removable oven door	Stainless steel White Glass Bisque Glass Black Glass	Stainless steel White Glass Bisque Glass Black Glass	Soft Stainless	White Glass Bisque Glass Black Glass	White Glass Bisque Glass Black Glass	Soft Stainless White Glass Bisque Glass Black Glass
Oven door with window	Big View	Big View	Big View	Big View	Big View	Big View
Designer-style handle	Sure Grip	Sure Grip	Professional-Style	Sure Grip	Sure Grip	Sure Grip
Designer-style control knobs	•	•	Professional-Style	•	•	•
Four leveling legs	•	•	•	•	•	•
Weights & Dimensions						
Overall oven interior dimensions (WxHxD in inches)	← 24 x 17 x 19 →					
Approx. shipping weight (lbs.)	246	225	230	220	220	210
Power/Ratings						
Top burners (000's BTU's) Nat/LP	(2) 12.0/11.0 (1) 5.2/5.2 (1) 9.5/8.5			(2) 12.0/11.0 (1) 5.0/5.0 (1) 9.5/9.5		
Oven/broiler burners (000's BTU's) Nat/LP				16.0/16.0 Oven 13.5/12.0 Broil		
Gas range electrical rating	← 120V, 60Hz, 5A →					
LP conversion kit (included)	•	•	•	•	•	•

Installation Information (Dimensions in inches)



Model	A	B	C*	D	E
JGB920	30	47-3/4	26-1/4	46-3/8	36 ± 1/4
JGB910	30	47-3/4	26-1/4	46-3/8	36 ± 1/4
JGBP90	30	47-3/4	26-1/4	46-3/8	36 ± 1/4
JGBP86	30	47-3/4	26-1/4	46-3/8	36 ± 1/4
JGBP85	30	47-3/4	26-1/4	46-3/8	36 ± 1/4
JGBP79	30	46-1/2	26-1/4	46-3/8	36 ± 1/4

*Dimension from wall to front of closed door handle is 29" on models JGB920/910, JGBP86/85/79 and 28-1/4" on model JGBP90. 25-1/4" — Depth to front edge of cooktop.

Optional Gas Range Accessory Drip Pans For Sealed and Standard Burner Models (Available at additional cost) To order these accessory drip pans, call toll-free 800-626-2002.

Optional Gas Range Wok Accessory (Available at additional cost) JXWK = Wok holder accessory sits on top of maximum burner grate to hold a **round-bottom** wok.

Installation Information: Before installing, consult installation instructions packed with product for current dimensional data.



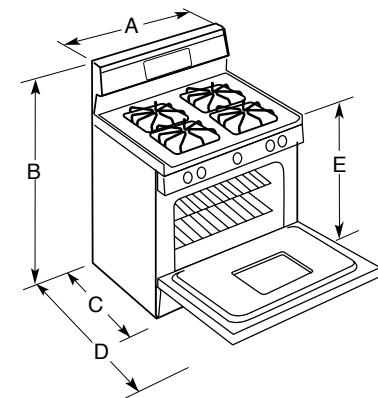
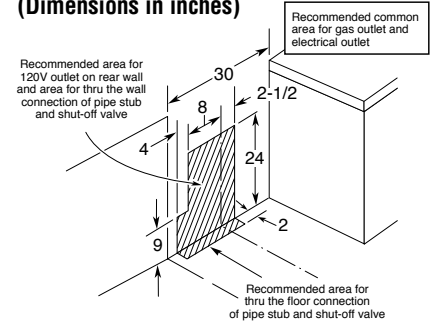
All GE ranges are equipped with an Anti-Tip device. The installation of this device is an important, required step in the installation of the range.

Gas Self-Clean Range Anti-Tip Bracket (Part No. 205C1714P001)
JGB920/910/90/86/85/79/35/30/28/26/24

	GE®				
	Sealed Burner Models			Standard Burner Models	
	JGBP35WEA JGBP35CEA JGBP35BEA	JGBP30WEA JGBP30CEA JGBP30BEA	JGBP28WEA JGBP28BEA	JGBP26WEA JGBP26CEA JGBP26BEA	JGBP24BEA
Capacity					
Extra-large oven	•	•	•	•	•
Features					
Oven cleaning	Self-Clean	Self-Clean	Self-Clean	Self-Clean	Self-Clean
Cooktop burners	Sealed	Sealed	Sealed	Standard/Twin	Standard/Twin
Maximum Output burner (Nat.)	(1) 12,000/ 1,000 BTU	(1) 12,000/ 1,000 BTU			
Precise Simmer burner (Nat.)	(1) 5,000/ 600 BTU	(1) 5,000/ 600 BTU			
All-purpose burners (Nat.)	(2) 9,500/ 850 BTU	(2) 9,500/ 850 BTU	(4) 9,500/ 850 BTU	(4) 9,500/ 850 BTU	(4) 9,500/ 850 BTU
Valves (degree of turn)	270	270	140	270	270
TrueTemp™ system	•	•		•	
SmartLogic™ controls	•	•		•	
QuickSet oven controls	QuickSet IV	QuickSet III	QuickSet II	QuickSet III	QuickSet II
Auto Self-Clean	•	•	•	•	•
Electronic oven control	•	•			
Hi/Low broil	•	•			
Electronic clock and timer	•	•	•	•	•
Automatic oven timer	•	•			
Audible preheat signal	•	•	•	•	•
Auto oven shut-off	•	•	•	•	•
Certified Sabbath mode	•	•	•	•	•
One-piece upswept cooktop	Porc.-Enam.	Porc.-Enam.	Porc.-Enam.	Porc.-Enam.	Porc.-Enam.
Lift-up cooktop				•	•
Easy-clean subtop				Porc.-Enam.	Porc.-Enam.
Porcelain-enameled one-piece drip pans	Grey Taupe Black	Grey Taupe Black	Opt. Access.	Chrome Chrome Black	Opt. Access.
Removable square grates	Grey Medium-Cast Taupe Medium-Cast Black	Grey Deluxe Porc.-Steel Taupe Deluxe Porc.-Steel Black Deluxe Porc.-Steel	Grey Std. Porc.-Steel Black Std. Porc.-Steel	Grey Std. Porc.-Steel Taupe Std. Porc.-Steel Black Std. Porc.-Steel	Black Std. Porc.-Steel
Ignition system	Electronic	Electronic	Electronic	Electronic	Electronic
Oven racks	2	2	2	2	2
Six embossed rack positions	•	•	•	•	•
Extra-large broiler pan/grid	•	•	•	•	•
Scratch-resistant backguard	Porc.-Enam.	Porc.-Enam.	Porc.-Enam.	Porc.-Enam.	Porc.-Enam.
Interior oven light	•	•	•	•	•
Storage drawer	•	•	•	•	•
In-oven broiling	•	•	•	•	•
Appearance					
Color appearance*	WW CC BB	WW CC WH/CT	WW WH/CT	WW CC WH/CT	WH/CT
Frameless removable oven door	White Glass Bisque Glass Black Glass	White Glass Bisque Glass Black Glass	White Glass Black Glass	White Glass Black Glass	Solid Black Glass
Oven door with window	Big View	Big View	•	•	
Designer-style handle	•	•	•	•	•
Four leveling legs	•	•	•	•	•
Weights & Dimensions					
Overall oven interior dimensions (WxHxD in inches)	← 24 x 17 x 19 →				
Approx. shipping weight (lbs.)	210	210	210	200	200
Power/Ratings					
Top burners (000's BTU's) Nat/LP	← (1) 12.0/11.0 (1) 5.0/5.0 (2) 9.5/9.5 →		← (4) 9.5/9.5 →	← (4) 9.0/8.0 →	
Oven/broiler burners (000's BTU's) Nat/LP	← 16.0/16.0 Oven 13.5/12.0 Broil →				
Gas range electrical rating	← 120V, 60Hz, 5A →				
LP conversion kit (included)	•	•	•	•	•

*WW = White on white, CC = Bisque on bisque, BB = Black on black, WH = White, CT = Bisque. Factory set for Natural Gas. A set of LP orifices is included with each range for LP conversion.

Installation Information (Dimensions in inches)



Model	A	B	C*	D	E
JGBP35	30	46-1/2	26-1/4	46-3/8	36 ± 1/4
JGBP30	30	46-1/2	26-1/4	46-3/8	36 ± 1/4
JGBP28	30	46-1/2	26-1/4	46-3/8	36 ± 1/4
JGBP26	30	46-1/2	26-1/4	46-3/8	36 ± 1/4
JGBP24	30	46-1/2	26-1/4	46-3/8	36 ± 1/4

*Dimension from wall to front of closed door handle is 28-1/4. 25-1/4"—Depth to front edge of cooktop.

Optional Gas Range Accessory Drip Pans For Sealed and Standard Burner Models (Available at additional cost) To order these accessory drip pans, call toll-free 800-626-2002.

Optional Gas Range Wok Accessory (Available at additional cost) JXWK = Wok holder accessory sits on top of maximum burner grate to hold a round-bottom wok.

Installation Information: Before installing, consult installation instructions packed with product for current dimensional data.



All GE ranges are equipped with an Anti-Tip device. The installation of this device is an important, required step in the installation of the range.

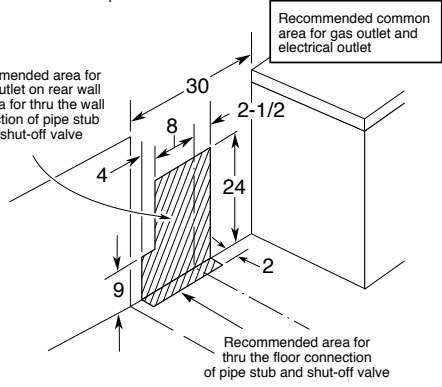
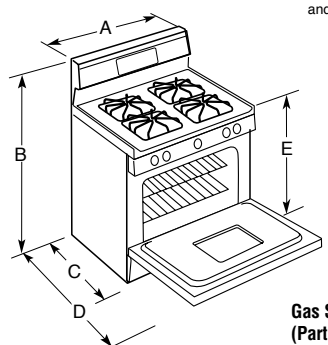
Gas Self-Clean Range Anti-Tip Bracket (Part No. 205C1714P001)
JGBP920/910/90/86/85/79/35/30/28/27/26/24

30" Continuous- & Standard-Clean Gas Ranges

GE®									
Sealed Burner Models			Standard Burner Models						
JGBS23WEA JGBS23CEA JGBS23BEA	JGBS22BEA		JGBC20BEA JGBS20BEA	JGBC20WEA JGBS20WEA	JGBS17PEA	JGBS07PEA	JGBS04BEA JGBS04BPA	JGBS04PEA JGBS04PPA	JGBS03PPA
Capacity									
Extra-large oven									
Features									
Oven cleaning	Standard Clean		Cont. Clean Standard Clean	Cont. Clean Standard Clean	Standard Clean	Standard Clean	Standard Clean	Standard Clean	Standard Clean
Cooktop burners	Sealed		Std./Twin	Std./Twin	Std./Twin	Std./Twin	Std./Twin	Std./Twin	Std./Twin
Maximum Output burner (Nat.)	(1) 12,000/ 1,000 BTU								
Precise Simmer burner (Nat.)	(1) 5,000/ 600 BTU								
All-purpose burners (Nat.)	(2) 9,500/ 850 BTU		(4) 9,500/ 850 BTU						
Valves (degree of turn)	270		140	140	140	140	140	140	140
Electronic clock and timer	●	●	●	●	●	●	●	●	●
Porcelain-enameled cooktop	One-Piece Upswept	One-Piece Upswept	One-Piece Upswept	One-Piece Upswept	One-Piece Upswept	●	●	●	●
Lift-up cooktop	●	●	●	●	●	●	●	●	●
Easy-clean porcelain-enameled subtop	●	●	●	●	●	●	●	●	●
One-piece drip pans	Grey Taupe Black	Opt. Access.	Opt. Access.	Opt. Access.	Opt. Access.	Opt. Access.	Opt. Access.	Opt. Access.	Opt. Access.
Removable square grates	Deluxe Porcelain-Steel	Black Standard Porcelain-Steel	Black Standard Porcelain-Steel	Grey Standard Porcelain-Steel	Black Standard Porcelain-Steel	Grey Standard Porcelain-Steel	Black Standard Porcelain-Steel	Black Standard Porcelain-Steel	1-Piece Wire
Ignition system	Electronic	Electronic	Electronic	Electronic	Electronic	Electronic	Electronic Pilot†	Electronic Pilot†	Pilot†
Oven racks	2	2	2	2	2	2	2	2	2
Six embossed rack positions	●	●	●	●	●	●	●	●	●
Extra-large broiler pan/grid	●	●	●	●	●	●	●	●	●
Porcelain-enameled backguard	●	●	●	●	●	●	●	●	●
Interior oven light	●	●	●	●	●	●	●	●	●
Slide-out broiler drawer	●	●	●	●	●	●	●	●	Drop-Down
Appearance									
Color appearance*	WW CC WH/CT	WH/CT	WH/CT WH/AD	WW	WH/CT	WW	WH/CT	WH/CT	WH/AD
Frameless removable oven door	White Glass Bisque Glass Black Glass	Black Glass	Black Glass	White Glass	CM* Porcelain- Enameled	White Porcelain- Enameled	Solid Black Glass	CM* Porcelain- Enameled	CM* Porcelain- Enameled
Oven door with window	Big View	●	●	●	●	●	●	●	●
Designer-style handle	●	●	●	●	●	●	●	Chrome Visor	Chrome Visor
Four leveling legs	●	●	●	●	●	●	●	●	●
Weights & Dimensions									
Overall oven interior dimensions (WxHxD in inches)	← 24 x 17 x 19 →								
Approx. shipping weight (lbs.)	180	170	175	175	175	165	165	165	160
Power/Ratings									
Top burners (000's BTU's) Nat/LP	(1) 12.0/11.0 (1) 5.0/5.0 (2) 9.5/9.5	(4) 9.5/9.5	← (4) 9.0/8.0 →						
Oven/broiler burners (000's BTU's) Nat/LP	← 18.0/16.5 →								
Gas range electrical rating**	← 120V, 60Hz., 5A →								
LP conversion kit (included)	●	●	●	●	●	●	●	●	●

*WW= White on white, CC = Bisque on bisque, AA = Almond on almond, WH = White, CT = Bisque, AD = Almond, CM = Color-Matched indicates color of oven door matches cooktop (either white, bisque or almond).
 **Electrical rating not applicable to standing pilot models.
 †JGBS04BPA, JGBS04PPA and JGBS03PPA have standing pilot ignition.
 Factory set for Natural Gas. A set of LP orifices is included with each range for LP conversion.
Note: Model JGBS03PPA does not have a flamespreader in broiler compartment.

Installation Information (Dimensions in inches)



Model	A	B	C*	D	E
JGBS23	30	46-1/2	26-1/4	46-3/8	36 ± 1/4
JGBS22	30	46-1/2	26-1/4	46-3/8	36 ± 1/4
JGBC20	30	46-1/2	26-1/4	46-3/8	36 ± 1/4
JGBS20	30	46-1/2	26-1/4	46-3/8	36 ± 1/4
JGBC20	30	46-1/2	26-1/4	46-3/8	36 ± 1/4
JGBS20	30	46-1/2	26-1/4	46-3/8	36 ± 1/4
JGBS17	30	46-1/2	26-1/4	46-1/4	36 ± 1/4
JGBS07	30	45-1/2	26-1/4	46-1/4	36 ± 1/4
JGBS04	30	45-1/2	26-1/4	46-3/8	36 ± 1/4
JGBS04	30	45-1/2	25-5/16	46-1/4	36 ± 1/4
JGBS03	30	40	25-5/16	46-1/4	36 ± 1/4

*Dimension from wall to front of closed door handle is 29".
 On models JGBS04 and JGBS03 the dimension is 27-7/16".
 25-1/4"—Depth to front top edge of cooktop.

Gas Self-Clean Range Anti-Tip Bracket
 (Part No. 205C1714P001) JGBS23/22/20/17/07/05/04/03

See page 162 for warranty information.



All GE ranges are equipped with an Anti-Tip device. The installation of this device is an important, required step in the installation of the range.

36" and 30" Designer Hoods

	GE Profile™			
	JV966D	JV965D	JV936D	JV935D
General				
Width	36"	36"	30"	30"
Height	18"	18"	18"	18"
Features				
Ducting	Vertical Only	Vertical Only	Vertical Only	Vertical Only
Duct size	7" round	7" round	7" round	7" round
CFM rating	600	600	600	600
Sones rating	7	7	7	7
Filters	●	●	●	●
Filter cleaning	Dishwasher-Safe	Dishwasher-Safe	Dishwasher-Safe	Dishwasher-Safe
Lighting	Dual Halogen	Dual Halogen	Dual Halogen	Dual Halogen
Control type	Manual	Manual	Manual	Manual
Control location	Hidden	Hidden	Hidden	Hidden
Four-speed fan control	●	●	●	●
Light settings	Off/High/Night	Off/High/Night	Off/High/Night	Off/High/Night
Blower/light switch color	Black	Black/White/Bisque	Black	Black/White/Bisque
Appearance				
Color appearance*	SS	WW/CC/BB	SS	WW/CC/BB
Weights & Dimensions				
Approx. shipping weight (lbs.)	77	77	68	68
Power/Ratings				
Current rating Amps @ 120V	3.9	3.9	3.9	3.9
Accessories/Kits				
Baffle filter kit	●	●	●	●
Optional chimney kit	●	●	●	●

*SS = Stainless steel, WW = White on white, CC = Bisque on bisque, BB = Black on black.

Optional Kits for 36" Designer Hoods

JXBF36SS—36" Commercial Filter
 JXCHSS—Stainless Chimney Kit
 JXCHWW—White Chimney Kit
 JXCHCC—Bisque Chimney Kit
 JXCHBB—Black Chimney Kit
 JXDW1—7" round to 3-1/4" x 10" rectangular duct transition for rear wall discharge.

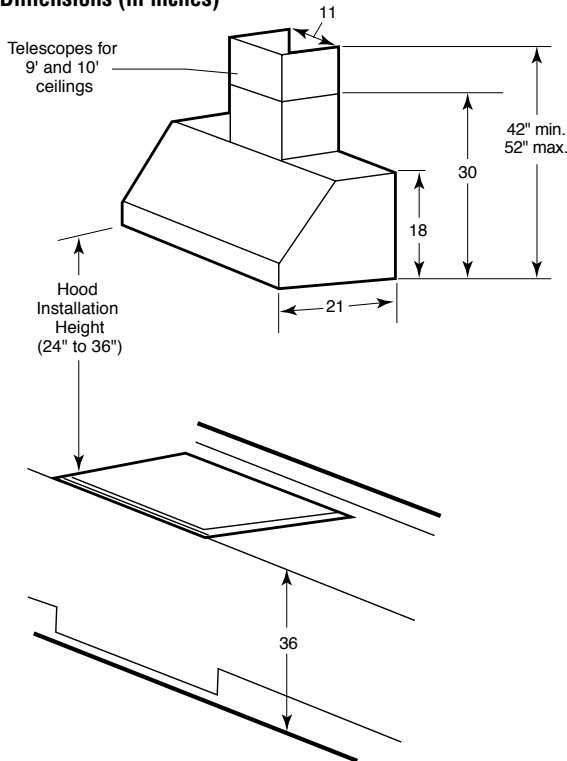
Optional Kits for 30" Designer Hoods

JXBF30SS—30" Commercial Filter
 JXCHSS—Stainless Chimney Kit
 JXCHWW—White Chimney Kit
 JXCHCC—Bisque Chimney Kit
 JXCHBB—Black Chimney Kit
 JXDW1—7" round to 3-1/4" x 10" rectangular duct transition for rear wall discharge.

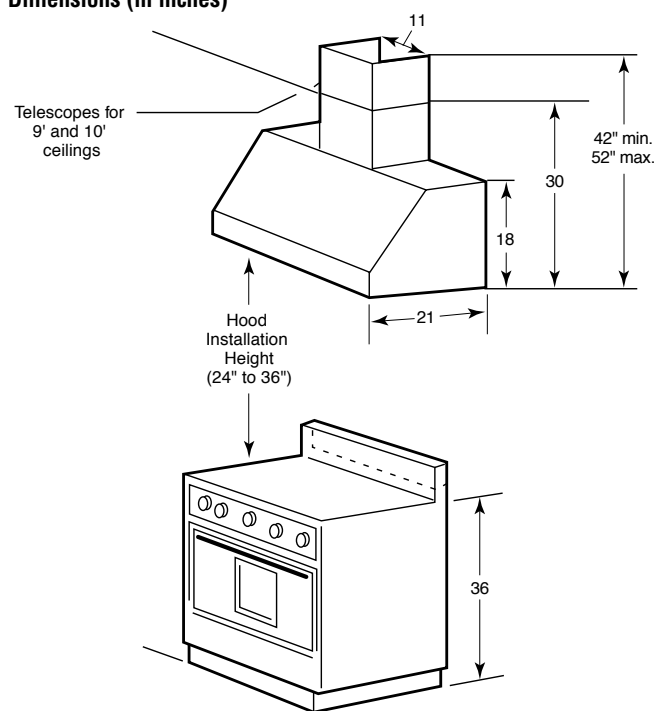


Installation Information: Before installing, consult installation instructions packed with product for current dimensional data.

Installed Above a Cooktop (Shown with Optional Chimney Kit) Dimensions (in inches)



Installed Above a Range (Shown with Optional Chimney Kit) Dimensions (in inches)



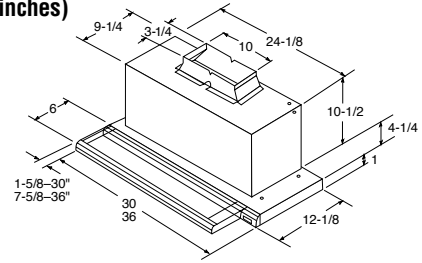
Slide-Out Hoods

Features	GE Profile							
	JV960SC	JV930SC	JV696S	JV695S	JV694S	JV396S	JV395S	JV394S
Variable-speed fan control	●	●	●	●	●	●	●	●
Auto heat sensor	●	●	●	●	●	●	●	●
Vertical exhaust (CFM)	300	300	300	300	300	300	300	300
Sones rating: Top exhaust	4.5	4.5	4.5	4.5	4.5	4.5	4.5	4.5
Removable grease filter*	●	●	●	●	●	●	●	●
Filter size (sq. in.)	147	147	147	147	147	147	147	147
Cooktop light	●	●	●	●	●	●	●	●
3-1/4" x 10" rectangular duct	●	●	●	●	●	●	●	●
Appearance								
Color appearance**	BA	BA	CC	WW	BB	CC	WW	BB
Weights & Dimensions								
Width (in inches)	36	30	36	36	36	30	30	30
Approx. shipping weight (lbs.)	43	40	43	43	43	40	40	40
Power/Ratings								
Current rating Amps @ 120V	3.7	3.7	3.7	3.7	3.7	3.7	3.7	3.7

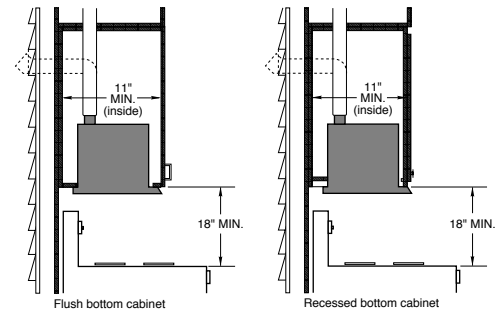
*Has washable one-piece smoke/grease filter.
 **WW = White on white, BB = Black on black, CC = Bisque on bisque, BA = Brushed Aluminum.
Note: These vented hoods include an installed damper.
Note: The unit is ducted vertically. Horizontal ducting can be accomplished as shown.
Note: Remove glass visor from unit before installing hood in cabinet to protect visor from damage.
Installation Information: Before installing, consult Use & Care/installation instructions packed with product for current dimensional data.



Installation Information (in inches)



Dimensions (in inches)



Telescopic Downdraft Systems

Features	GE Profile™	
	JVB96SA	JVB93SA
Variable-speed fan control	●	●
Downdraft exhaust (CFM)	500	500
3-1/4" x 10" rectangular duct	●	●
Removable grease filters	●	●
Appearance		
Color appearance	Stainless	Stainless
Weights & Dimensions		
Width (in inches)	36	30
Approx. shipping weight (lbs.)	62	60
Power/Ratings		
Current rating Amps @ 120V	4.0	4.0

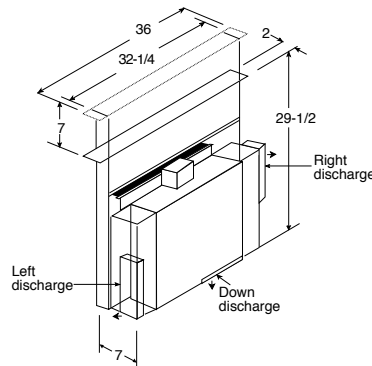
Note: Approved for use with GE Profile and GE® electric and sealed burner gas cooktops.

Note: Telescopic downdraft vents are not recommended to be installed with cooktops that are flush mounted.

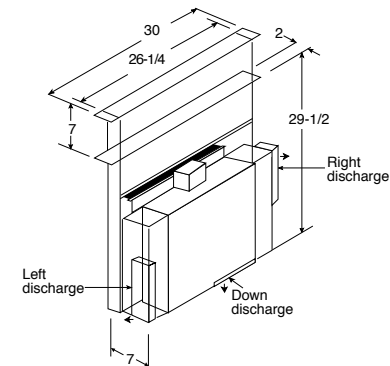
Note: The countertop must be at least 26" deep with a flat surface area of 23-1/2" or more, front to back. In addition, other clearances to the front edge of the countertop must be considered.

Installation Information: Before installing, consult installation instructions packed with product for current dimensional data.

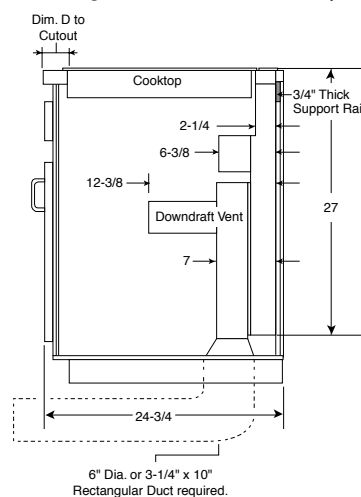
Overall Dimensions (in inches) Model JVB96SA



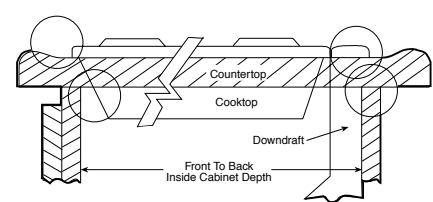
Model JVB93SA



Venting Island to Outside Wall (in inches)



Counter Cutout Information



Pay special attention to the four areas of potential interference circled above. 2" of **FLAT** countertop is needed behind rear edge of cooktop to accommodate downdraft vent cover.

Approved for use with the following GE cooktops—36" and 30" Calrod® models, 36" and 30" radiant models, 30" solid disk models, 36" and 30" gas sealed burner models and 36" and 30" induction models. **Not approved for use with standard burner gas cooktops.**

Note: Dimensions shown are for reference only. Before cutting out countertop, refer to instructions packed with **downdraft and cooktop**.

Note: Duct run not to exceed 100 equivalent feet.

Note: Installation in cabinets/countertops against the wall will not be possible in most applications.

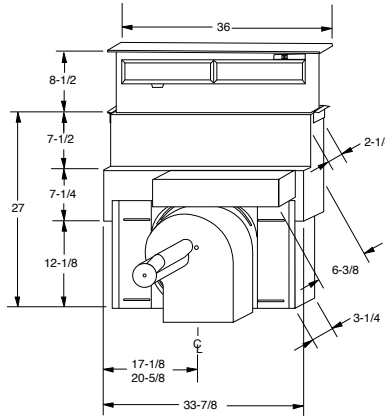
Telescopic Downdraft Systems

	GE Profile™	
	JVB67AWW JVB67ACC JVB67ABB	JVB37AWW JVB37ACC JVB37ABB
Features		
Upfront variable-speed fan w/slide control	●	●
Separate remote raise/lower switch	●	
Downdraft exhaust (CFM)	350	350
Optional blower mount capabilities	●	●
3-1/4" x 10" rectangular duct	●	●
Minimum 6" round duct capability	●	●
Removable grease filters	●	●
Appearance		
Color appearance*	WW	WW
	CC	CC
	BB	BB
Cover plate	White	White
	Bisque	Bisque
	Black	Black
Telescopic snorkel assembly	Black	Black
Weights & Dimensions		
Width (in inches)	36	30
Approx. shipping weight (lbs.)	76	72
Power/Ratings		
Current rating Amps @ 120V	4.0	4.0

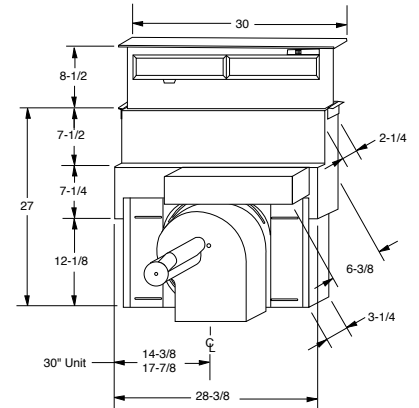
*WW = White on white, CC = Bisque on bisque, BB = Black on black.

Note: Approved for use with GE Profile and GE electric and sealed burner gas cooktops.

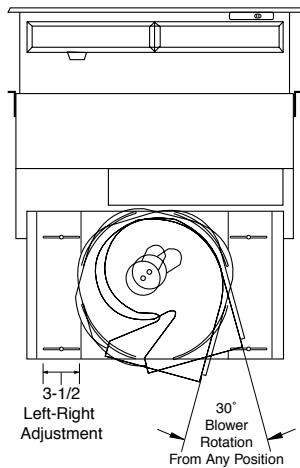
Overall Dimensions (in inches) Model JVB67



Model JVB37



Blower Position



Note: Telescopic downdraft vents are not recommended to be installed with cooktops that are flush mounted.

Approved for use with the following GE Profile and GE cooktops—36" and 30" electric models, 36" and 30" gas sealed burner models and 36" and 30" induction models.

Not approved for use with standard burner gas cooktops.

Note: The countertop must be at least 26" deep with a flat surface area of 23-1/2" or more, front to back. In addition, other clearances to the front edge of the countertop must be considered.

Note: Dimensions shown are for reference only. Before cutting out countertop, refer to instructions packed with **downdraft and cooktop**.

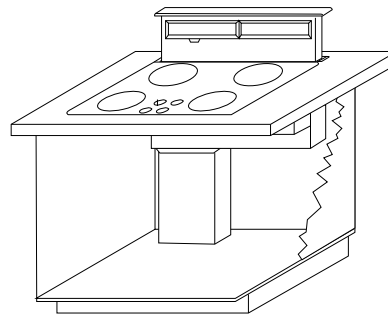
Note: Installation in cabinets/countertops against the wall will not be possible in most applications. Against the wall installations are limited to dimension requirements. Refer to installation instructions packed with product for further details.

JXBC57 Outdoor Cover. Optional accessory may be ordered for installation of motor and blower assembly on outside wall.

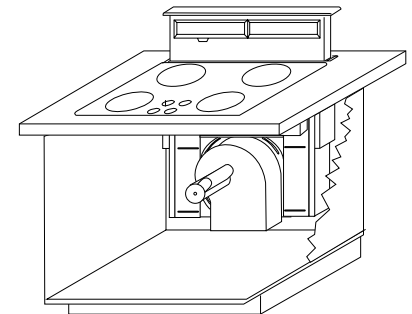
JXRB57 Indoor Remote Accessory. Optional accessory may be ordered for installation of motor and blower assembly in an indoor remote location.

Installation Information: Before installing, consult installation instructions packed with product for current dimensional data.

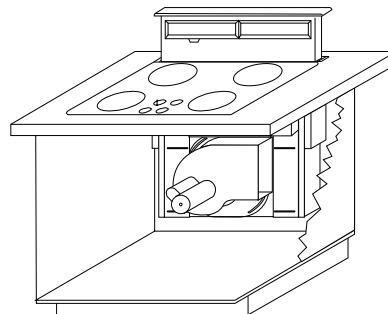
Venting Options (Through the Floor)



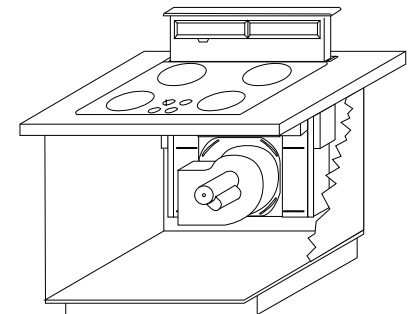
In Cabinet Discharge (Down)



In Cabinet Discharge (Right)



In Cabinet Discharge (Left)



Hoods

Width	GE Profile						GE			
	High-Performance		Performance				Deluxe	Standard		
30"			JV636C	JV635C	JV536C	JV535C	JV347X	JV327X	JV337X	JN327X
36"	JV666C	JV665C			JV566C	JV565C				
Features										
Two-speed fan control					•	•	•	•	•	•
Three-speed fan control	With boost	With boost	With boost	With boost			•			
Vertical exhaust (CFM)	350	350	350	350	190	190	180	160	160	
Rear exhaust (CFM)	400	400	400	400	200	200	160		150	
Damper included (rectangular)	•	•	•	•	•	•	•		•	
Optional damper accessory (round)	JXDA23	JXDA23	JXDA23	JXDA23	JXDA23	JXDA23	JXDA22	JXDA22	JXDA22	
Sones rating:										
Top exhaust	4.0/7.0*	4.0/7.0*	4.0/7.0*	4.0/7.0*	4.0	4.0	8.0	8.0	8.0	
Rear exhaust	4.0/7.0*	4.0/7.0*	4.0/7.7*	4.0/7.7*	4.0	4.0	8.0		8.0	
Removable grease filters	2†	2†	2†	2†	2††	2††	Disposable 1-Pc. Filter†††	1†††	1†††	Disposable 1-Pc. Filter†††
Filter size (sq. in.)	207	207	171	171	171/207	171/207	90	90	90	90
Cooktop light(s)**	2 Halogen (50 watts)	2 Halogen (50 watts)	2 Halogen (50 watts)	2 Halogen (50 watts)	2 Halogen (50 watts)	2 Halogen (50 watts)	1	1	1	1
Night light position on light switch	•	•	•	•	•	•	•			
3-1/4" x 10" rectangular duct	•	•	•	•	•	•	Option		•	
7" round duct	•	•	•	•	•	•	Option	•		
Non-vented					•	•	Option			•
Silverstone underside coating	•	•	•	•						
Appearance										
Color appearance***	SS	WW/BB	SS	WW/BB	SS	WW/CC/BB	WW/CC/AA/BB	W/C/A	W/C/A	W/C/A
Weights & Dimensions										
Approx. shipping weight (lbs.)	35	35	30	30	30	30	20	14	17	19
Power/Ratings										
Current rating amps @ 120V	2.5	2.5	2.5	2.5	1.4	1.4	2.5	2.5	2.5	2.5

*Top exhaust soles rating when in boost mode.

**Light bulbs not furnished.

***SS = Stainless steel, WW = White on white, CC = Bisque on bisque, AA = Almond on almond, BB = Black on black, W = White, C = Bisque, A = Almond.

†WB02X10713 (30") or WB02X10710 (36") removable grease filter is available for additional cost. Call toll free 800.626.2002. (Models JV666/665 and JV636/635)

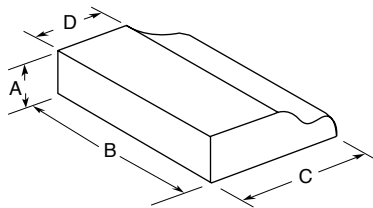
††WB02X10709 (30") or WB02X10706 (36") removable grease filter and WB02X10707 (30") or WB02X10708 (36") removable charcoal filter are available for additional cost.

Call toll free 800.626.2002. (Models JV566/565 and JV536/535)

†††WB02X9381 replacement grease filter and WB02X10700 replacement charcoal filter are available for additional cost. Call toll free 800.626.2002. (Models JV347/327/337 and JN327)

Dimensions (in inches)

Model	A	B	C	D
JV666/JV665	7-1/4	35-7/8	20	12
JV636/JV635	7-1/4	29-7/8	20	12
JV536/JV535	7-1/4	29-7/8	20	12
JV566/JV565	7-1/4	35-7/8	20	12
JV347	5-1/2	29-7/8	17-1/2	12
JV337	5-1/2	29-7/8	17-1/2	12
JV327	5-1/2	29-7/8	17-1/2	12
JN327	5-1/2	29-7/8	17-1/2	12



JXHC1 Cord Kit

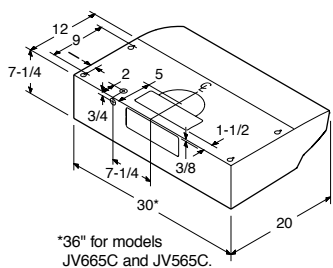
Allows a receptacle in the cabinet over the range to accommodate either an over-the-range microwave oven or a standard hood.

Hood Dimensions (in inches)

1 Models JV666C, JV665C, JV636C, JV635C, JV536C, JV535C, JV566C and JV565C

Exhaust outlet connects to 3-1/4" x 10" duct (vertically or horizontally) and 7" round (vertically). Includes rectangular damper and 7" round damper adapter.

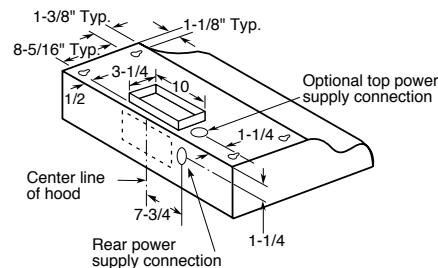
Round damper accessory, JXDA23 available at additional cost.



2 Models JV347X* and JV337X

*JV347X—Refer to this drawing for rectangular exhaust option. Refer to drawing 3 for round exhaust option.

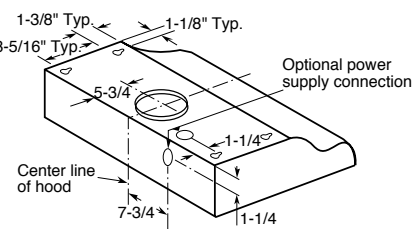
Exhaust outlet connects to 3-1/4" x 10" rectangular duct. Vent top or rear. Includes rectangular damper.



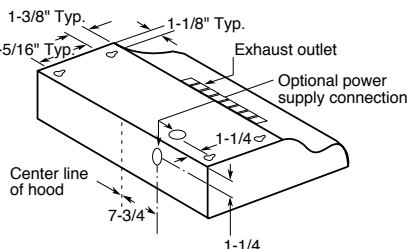
3 Models JV347X* and JV327X

*JV347X—Refer to this drawing for round exhaust option. Refer to drawing 2 for rectangular exhaust option.

Exhaust outlet connects to 7" diameter duct. Vent top only. Round damper accessory, JXDA22, available at additional cost.



4 Model JN327X



Installation Information: Before installing, consult installation instructions packed with product for current dimensional data.

See page 162 for warranty information.

Spacemaker Convection/Microwave Ovens

Refrigeration

Cooking Products

Microwave Ovens

Dishwashers

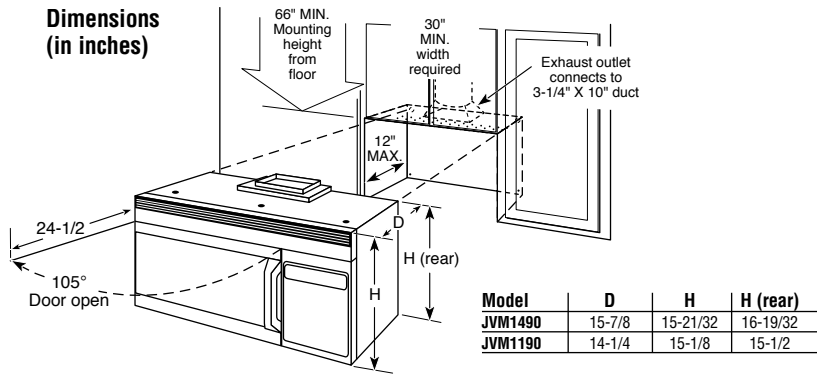
Clothes Care

Water Systems

Air Conditioning

		GE Profile™	
		JVM1490SD JVM1490WD JVM1490CD JVM1490BD	JVM1190SY JVM1190WY JVM1190WY JVM1190BY
Capacity			
Oven cavity (cu. ft.)		1.4	1.1
Features			
Watts (IEC-705 test procedure)		900	825
Controls		Membrane/Dial	Electronic Touch
SmartControl system w/interactive display		●	●
Electronic scrolling digital display w/clock and AM/PM		2 Lines	1 Line
Variable scroll speed		●	●
Help pad		●	●
Concurrent programming		●	●
Display On/Off		●	●
Bilingual display (English/Spanish)		●	
Cavity lighting		Halogen	Incandescent
Cooktop lighting		Halogen	Incandescent
Sensor controls			
Cook		Chicken, Fish, Potato	
Beverage		●	●
Popcorn		●	●
Reheat		●	●
Vegetables (canned/fresh/frozen)		●	●
Convection controls			
Convection broil			Hi/Lo
Convection bake/Fast Bake		● / ●	● / -
Combination roast			●
Sensor combination			Chicken, Fish, Potato
Combination bake			Hi/Lo
Express Cook (1-6 minutes)		●	●
Instant On controls		●	●
Time cook		I & II	I & II
Add 30 seconds		●	●
Temp cook		●	●
Auto/Time Defrost		● / ●	● / ●
Fast Defrost		●	●
Power levels		10	10
Delay start		●	●
Programmable night light		●	●
Timer On/Off		●	●
Reminder		●	●
Variable beeper volume control		●	●
Cooking complete reminder		●	●
Child lockout		●	●
Two-speed venting		●	●
Appearance			
Color appearance		Stainless steel White on white Bisque on bisque Black on black	Stainless steel White on white Black on black
		Black White Bisque Black	Black White Black
Case color		●	●
Designer-style handle		●	●
Weights & Dimensions			
WxHxD—JVM1490	Cavity	21-3/32 x 8-7/32 x 14-3/32	
(in inches)	Exterior	29-7/8 x 15-21/32 x 15-7/8	
WxHxD—JVM1190	Cavity	18 x 8-1/16 x 12-1/2	
(in inches)	Exterior	29-15/16 x 15-1/8 x 14-1/4	
Approx. shipping weight (lbs.)		98	98
Power/Ratings			
2450 Frequency (MHz)		●	●
Electrical input @ 120V	Watts	1800	1300
	Amperage	15	12.5
Accessories			
Convection rack/Broil pan		● / -	● / ●
Warranty			
Full one-year in home warranty*		●	●
Limited nine-year magnetron warranty* (10 years total)		●	●

*See written warranty for details.



Ventilation Options

The Spacemaker convection/microwave and Spacemaker microwave ovens are designed for adaptation to the following three types of ventilation:

Outside Exhaust (Vertical—as shown above)

Outside Exhaust (Horizontal)

Recirculating (Non-vented ductless—see Filter Kit Drawing, order JX81, JX81A or JX81B)

Requires 120V grounded outlet. Electrical receptacle must be located in cabinet above Spacemaker microwave/convection and Spacemaker microwave ovens. No additional wiring, venting or cabinet rebuilding necessary in many cases. Complete detailed, easy-to-follow installation instructions and convenient full-size templates are packed with product.

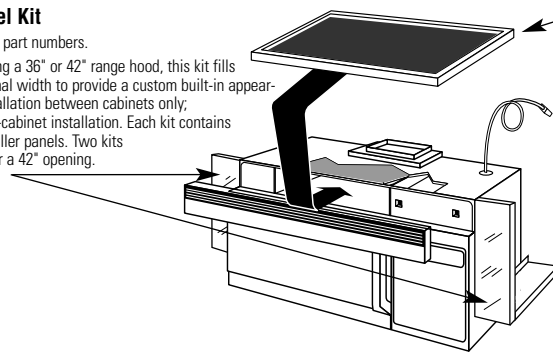
Important: When installing these ovens over a range, allow minimum of 2" from bottom of microwave oven to top of range backward to allow for removal of light covers.

Optional Accessories (Available at additional cost)

Filler Panel Kit

See below for part numbers.

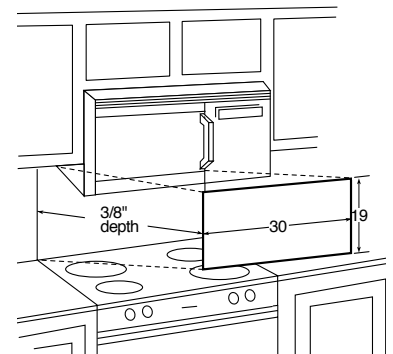
When replacing a 36" or 42" range hood, this kit fills in the additional width to provide a custom built-in appearance. For installation between cabinets only, not for end-of-cabinet installation. Each kit contains two 3"-wide filler panels. Two kits are needed for a 42" opening.



Recirculating Charcoal Filter Kit

See below for part numbers. To be used when the Spacemaker microwave oven cannot be vented to the outside. (Included with non-vented models.)

Model	Recirculating Charcoal Filter Kit	Filler Panel Kit	Decorative Panel Kit
JVM1190SY	JX81	JX41	JX22SS
JVM1190WY	JX81	JX40WH	JX22SS
JVM1190BY	JX81	JX41	JX22SS
JVM1490SD	JX81A	JX41	JX22SS
JVM1490WD	JX81A	JX40WH	JX22SS
JVM1490CD	JX81A	JX40CT	JX22SS
JVM1490BD	JX81A	JX41	JX22SS
JVM1440WD	JX81A	JX46WH	JX22SS
JVM1440BD	JX81A	JX46BL	JX22SS
JVM1630WB	JX81A	JX48	JX22SS
JVM1630BB	JX81A	JX48	JX22SS
JVM1640WB	JX81A	JX48WH	JX22SS
JVM1640AB	JX81A	JX48AL	JX22SS
JVM1640BB	JX81A	JX48BL	JX22SS
JVM1650SB	JX81A	JX48	JX22SS
JVM1650WB	JX81A	JX48WH	JX22SS
JVM1650CB	JX81A	JX48	JX22SS
JVM1650BB	JX81A	JX48BL	JX22SS
JVM1840WF	JX81B	JX52WH	JX22SS
JVM1840CF	JX81B	JX52CT	JX22SS
JVM1840BF	JX81B	JX52BL	JX22SS
JVM1850WF	JX81B	JX52WH	JX22SS
JVM1850CF	JX81B	JX52CT	JX22SS
JVM1850BF	JX81B	JX52BL	JX22SS
JVM1860SF	JX81B	JX52BL	JX22SS
JVM1860WF	JX81B	JX52WH	JX22SS
JVM1860CF	JX81B	JX52CT	JX22SS
JVM1860BF	JX81B	JX52BL	JX22SS
JVM3660SF	JX81B	-	-
JVM3660WF	JX81B	-	-
JVM3660CF	JX81B	-	-
JVM3660BF	JX81B	-	-



JX22SS—Stainless Steel Decorative Panel Kit

When replacing a Hi/Low range with a Spacemaker microwave/convection oven or Spacemaker over a range model, this panel kit fills in the area between the microwave and range left by the Hi/Low model.



Listed by Underwriters Laboratories

This information is not intended to be used for installing unit described. Before installing, consult installation instructions packed with product/kit for current dimensional data.

See page 162 for warranty information.

Spacemaker® Microwave Ovens

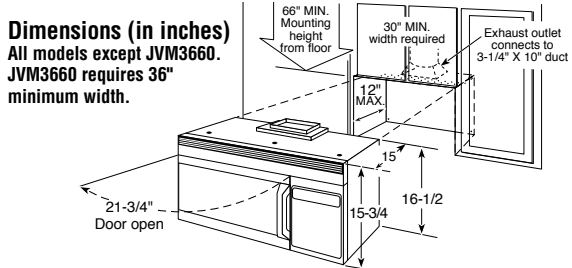
	GE Profile™		GE®						
	JVM3660SF JVM3660WF JVM3660CF JVM3660BF	JVM1860SF JVM1861SF* JVM1860WF JVM1860CF JVM1860BF	JVM1850WF JVM1851WF* JVM1850CF JVM1851CF* JVM1850BF JVM1851BF*	JVM1840WF JVM1840CF JVM1840BF	JVM1650SB JVM1650WB JVM1650CB JVM1650BB	JVM1640WB JVM1640AB JVM1640BB	JVM1630WB JVM1631WB* JVM1631CD* JVM1630BB JVM1631BB*	JVM1440WD JVM1441WD* JVM1440BD JVM1441BD*	
Capacity									
Oven cavity (cu. ft.)	1.8	1.8	1.8	1.8	1.6	1.6	1.6	1.4	
Features									
Watts (IEC-705 test procedure)	1100	1100	1100	1100	1000	1000	1000	950	
Electronic touch controls	●	●	●	●	●	●	●	●	
SmartControl system w/interactive display	●	●	●	●	●	●	●	●	
Scrolling display	2 Line	2 Line	2 Line	2 Line	1 Line	1 Line	1 Line	1 Line	
Clock and AM/PM pad	●	●	●	●	●	●	●	●	
Variable scroll speed	●	●	●	●	●	●	●	●	
Help pad	●	●	●	●	●	●	●	●	
Concurrent programming	●	●	●	●	●	●	●	●	
Display On/Off	●	●	●	●	●	●	●	●	
Bilingual display (English/Spanish)	●	●	●	●	●	●	●	●	
Sensor controls	●	●	●	●	●	●	●	●	
Beverage	●	●	●	●	●	●	●	●	
Chicken	●	●	●	●	●	●	●	●	
Fish	●	●	●	●	●	●	●	●	
Meats	●	●	●	●	●	●	●	●	
Popcorn	●	●	●	●	●	●	●	●	
Potatoes	●	●	●	●	●	●	●	●	
Reheat	●	●	●	●	●	●	●	●	
Vegetables	●	●	●	●	●	●	●	●	
Custom pads	●	●	●	●	●	●	●	●	
Convenience controls	●	●	●	●	●	●	●	●	
Beverage	●	●	●	●	●	●	●	●	
Cook	●	●	●	●	●	●	●	●	
Popcorn	●	●	●	●	●	●	●	●	
Reheat	●	●	●	●	●	●	●	●	
Snacks	●	●	●	●	●	●	●	●	
Express cook (1-6 min.)	●	●	●	●	●	●	●	●	
Instant On controls	●	●	●	●	●	●	●	●	
Time cook	I & II	I & II	I & II	I & II	I & II	I & II	I & II	I & II	
Add 30 seconds	●	●	●	●	●	●	●	●	
Auto/Time Defrost	●/●	●/●	●/●	●/●	●/●	●/●	●/●	●/●	
Quick Defrost	●	●	●	●	●	●	●	●	
Power levels	10	10	10	10	10	10	10	10	
Delay Start	●	●	●	●	●	●	●	●	
Reminder	●	●	●	●	●	●	●	●	
CircuWave™ cooking system	1100	1100	1100	1100	●	●	●	●	
Rack(s)	1	2	1	1	1	1	●	1	
Turntable	Recessed	Recessed	Recessed	Recessed	●	●	●	●	
Turntable On/Off	●	●	●	●	●	●	●	●	
Halogen interior lighting	●	●	●	●	●	●	●	●	
Halogen cooktop lighting	●	●	●	●	●	●	●	●	
Full-view cooktop lighting	●	●	●	●	●	●	●	●	
Night light	●	●	●	●	●	●	●	●	
Programmable night light	●	●	●	●	●	●	●	●	
Timer On/Off	●	●	●	●	●	●	●	●	
Beeper volume control	●	●	●	●	●	●	●	●	
Cooking complete reminder	●	●	●	●	●	●	●	●	
Child lockout	●	●	●	●	●	●	●	●	
300-CFM exhaust fan	3-Speed plus Boost	3-Speed plus Boost	3-Speed plus Boost	3-Speed plus Boost	2-Speed	2-Speed	●	2-Speed	
Easy mount installation	●	●	●	●	●	●	●	●	
Appearance									
Color appearance**	SS/WW/CC/BB	SS/WW/CC/BB	WW/CC/BB	WW/CC/BB	SS/WW/CC/BB	WW/AA/BB	WW/CC/BB	WW/BB	
Case color	Black/White/ Bisque/Black	Black/White/ Bisque/Black	White/ Bisque/Black	White/ Bisque/Black	Black/White/ Bisque/Black	White/Almond/Black	White/Bisque/Black	White/Black	
Designer-style handle	●	●	●	●	●	●	●	●	
Big view window	Bright view	Bright view	●	●	●	●	●	●	
Weights & Dimensions									
WxHxD (in inches)	← 21-29/32 x 9-1/2 x 14-19/32 →		← 29-7/8 x 16-15/32 (rear) x 15-1/16 →			← 20-1/4 x 9-9/32 x 14-13/32 →			†††
Approx. shipping weight (lbs.)	††	††	68	68	67	67	67	67	
Power/Ratings									
2450 Frequency (MHz)	●	●	●	●	●	●	●	●	
Electrical input Watts	1480	1480	1480	1480	1480	1480	1480	1480	
@ 120V Amperage	15	15	15	15	15	15	15	15	
Warranty									
Full one-year in-home warranty‡	●	●	●	●	●	●	●	●	
Limited nine-year magnetron warranty‡ (10 years total)	●	●	●	●	●	●	●	●	

*Non-vented model.
 **SS = Stainless steel, WW = White on white, CC = Bisque on bisque, AA = Almond on almond, BB = Black on black.
 †Exterior dimensions: depth excludes handle.
 ††Model JVM3660—Exterior: 35-7/8 x 16-13/32 (rear) x 15.
 †††Model JVM1440—Cavity: 19-5/16 x 9-5/16 x 13-3/16 Exterior: 29-7/8 x 16-1/2 (rear) x 14-15/16.
 ‡See warranty for details.

NOTE: Convenience popcorn pad designed for use with 3 package sizes—3.5, 3.0 and 1.75 oz.

This information is not intended to be used for installing unit described. Before installing, consult installation instructions packed with product/kit for current dimensional data.

See page 162 for warranty information.



Convection/Microwave Wall Ovens

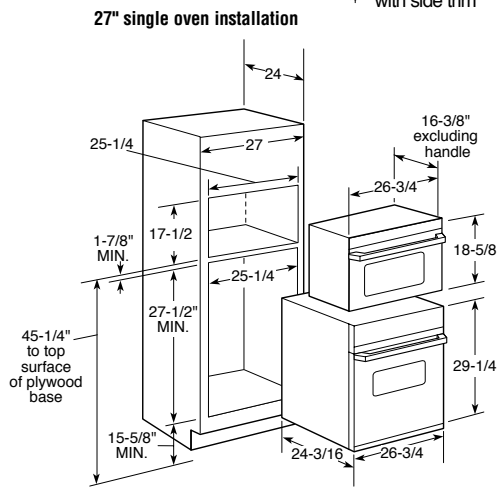
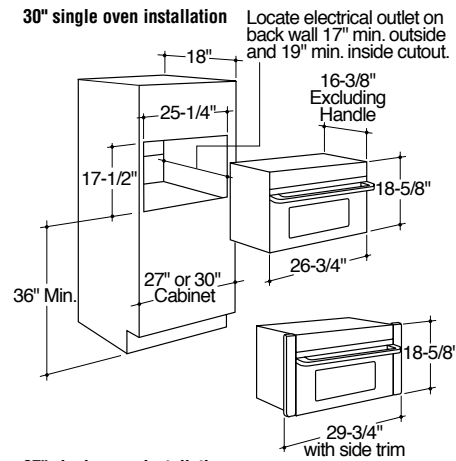
	GE Profile		
	JEB1095SB	JEB1095WB JEB1095CB	JEB1095BB
Capacity			
Oven cavity (cu. ft.)	1.0	1.0	1.0
Features			
Watts (IEC-705 test procedure)	800	800	800
Electronic touch controls	●	●	●
Electronic digital display w/clock	●	●	●
Sensor controls			
Beverage	●	●	●
Cook	●	●	●
Popcorn	●	●	●
Reheat	●	●	●
Convection cook	●	●	●
Combination cook	●	●	●
Combination roast (probe)	●	●	●
Express cook	●	●	●
Instant On controls	●	●	●
Time cook	I & II	I & II	I & II
Add 30 seconds	●	●	●
Temp Cook/Hold (probe)	●	●	●
Auto Defrost	●	●	●
Time Defrost	●	●	●
Power levels	10	10	10
Delay/Start reminder	●	●	●
Minute pad	●	●	●
Program cooking	5-Stage	5-Stage	5-Stage
Kitchen timer	99-M./99-S. Digital	99-M./99-S. Digital	99-M./99-S. Digital
Variable beeper volume	●	●	●
Cooking complete reminder	●	●	●
Appearance			
Color appearance*	SS	WW/CC	BB
Case color	Black	White/Bisque	Black
Designer-style handle	●	●	●
Weights & Dimensions			
	Cavity	18x8-3/16x11-1/2	
WxHxD (in inches)	Exterior†	26-3/4x18-5/8x16-3/8	
Approx. shipping weight (lbs.)		84	84
Power/Ratings			
2450 Frequency (MHz)		●	●
	Watts	1450	1450
Electrical input @ 120V	Amperage	13.0	13.0
Accessories			
Deluxe cookbook		●	●
Wire oven rack		●	●
30" trim kit (included)		●	●
Warranty			
Full one-year in-home warranty**		●	●
Limited nine-year magnetron warranty** (10 years total)		●	●

*SS = Stainless steel, WW = White on white, CC = Bisque on bisque, BB = Black on black.

** See written warranty for details.

†Exterior dimensions: depth excludes handle.

Cutout and Dimensional Information (in inches)



This information is not intended to be used for installing unit described. Before installing, consult installation instructions packed with product/kit for current dimensional data.



Listed by Underwriters Laboratories

Microwave Ovens

	GE Profile™			GE®					
	Convection	Extra-large		Full-size		Family-size		Mid-size	
	JE1590SC JE1590WC JE1590CC JE1590BC	JE1860SB JE1860WB JE1860CB JE1860GB	JE1840WB JE1840GB	JE1660WB JE1660GB	JE1640WB JE1640AB JE1640GB	JE1460WF JE1460BF	JE1440WF JE1440BF	JE1160WD JE1160BD	JE1140WD JE1140BD
Capacity									
Oven cavity (cu. ft.)	1.5	1.8	1.8	1.6	1.6	1.4	1.4	1.1	1.1
Features									
Watts (IEC-705 Test Procedure)	1000	1100	1100	1100	1100	1150	1150	1100	1100
Electronic touch controls	Tactile switches/dial	●	●	●	●	●	●	●	●
Scrolling display with Help Pad	2 Line	●	●	●	●	●	●	Help Only	●
Demo mode		●	●	●	●	●	●		
Electronic digital display w/clock		●	●	●	●	●	●	●	●
Display On/Off		●	●	●	●	●	●	●	●
Convection Cook Pads	●	●	●	●	●	●	●	●	●
Sensor controls									
Popcorn	Instant On	●	●	●	●	●	●	●	●
Beverage	Instant On	●	●	●	●	●	●	●	●
Reheat	Instant On	●	●	●	●	●	●	●	●
Vegetable		●	●	●	●	●	●	Fresh/Frozen	●
Potato		●	●	●	●	●	●	●	●
Chicken/Fish		●	●	●	●	●	●	-/●	●
Rice		●	●	●	●	●	●	●	●
Soup		●	●	●	●	●	●	●	●
Frozen Dinner		●	●	●	●	●	●	●	●
Convenience controls									
Popcorn		●	●	●	●	●	●	●	●
Beverage		●	●	●	●	●	●	●	●
Reheat		●	●	●	●	●	●	●	●
Snacks		●	●	●	●	●	●	●	●
Cook		●	●	●	●	●	●	●	●
Frozen Pizza		●	●	●	●	●	●	●	●
Express Cook		●	●	●	●	●	●	●	●
Instant On controls	●	●	●	●	●	●	●	●	●
Time cook	I & II	I & II	I & II	I & II	I & II	I & II	I & II	I & II	I & II
Add 30 seconds		●	●	●	●	●	●	●	●
Auto/Time Defrost	●	●	●	●	●	●	●	●	●
Power levels	10	10	10	10	10	10	10	10	10
Turntable	Recessed	●	●	●	●	Recessed	Recessed	●	●
Turntable On/Off		●	●	●	●	●	●	●	●
Kitchen timer	Timer On/Off	Timer On/Off	99-M./99-S.	Timer On/Off	99-M./99-S.	Timer On/Off	Timer On/Off	Timer On/Off	99-M./99-S.
Delay Start/Reminder		●	●	●	●	●	●	●	●
Sound On/Off		●	●	●	●	●	●	●	●
Variable beeper control		●	●	●	●	●	●	●	●
Cooking complete reminder	●	●	●	●	●	●	●	●	●
Child lockout	●	●	●	●	●	●	●	●	●
Appearance									
Color appearance	Stainless steel White on white Bisque on bisque Black on black	Stainless steel White on white Bisque on bisque Black on greystone	White on white Black on greystone	White on white Black on greystone	White on white Almond on almond Black on greystone	White on white Black on black	White on white Black on black	White on white Black on black	White on white Black on black
Case color	Black White Bisque Black	Greystone White Bisque Greystone	White Greystone	White Greystone	White Almond Greystone	White Black	White Black	White Black	White Black
Door color	Stainless steel White Bisque Black	Stainless steel White Bisque Black	White Black	White Black	White Almond Black	White Black	White Black	White Black	White Black
Weights & Dimensions									
Approx. shipping weight (lbs.)	59	48	48	50	50	44	44	37	37
Cavity	15-14 x 10-7/8 x 15-1/4	17-1/16 x 9-3/4 x 18-3/8	17-1/16 x 10-3/8 x 18-3/8	16-1/2 x 9-23/32 x 16-27/32		14-13/16 x 9-7/8 x 16	14-13/16 x 9-7/8 x 16	13-15/16 x 9 x 16-11/16	
WxHxD (in inches)	22-5/8 x 14-7/8 x 19-7/8	23-7/8 x 13-1/2 x 19-1/4		23-21/32 x 13-5/16 x 18-5/16		21-7/8 x 12-5/8 x 17-1/4	21-7/8 x 12-5/8 x 17-1/4	21-7/8 x 12 x 16	
Power/Ratings									
2450 Frequency (MHz)	●	●	●	●	●	●	●	●	●
Electric input @ 120V	Watts 1500	1550	1550	1500	1500	1550	1550	1500	1500
Amperage	15	13.6	13.6	13.0	13.0	13.3	13.3	13.0	13.0
Accessories									
Cooking guide label						●	●	●	●
Optional built-in kit	JX1530CSC/ JX1527CSC JX1530CSC/ JX1527CSC JX1530CSC/ JX1527CSC JX1530CSC/ JX1527CSC	JX1830SB/ JX1827SB JX1830WB/ JX1827WB JX1830CB/ JX1827CB JX1830BB/ JX1827BB	JX1830WB/ JX1827WB JX1830BB/ JX1827BB	JX1530MWW/ JX1527MWW/ JX1530MBW/ JX1527MBW	JX1530MWW/ JX1527MWW/ JX1530MAW/ JX1527MAW/ JX1530MBW/ JX1527MBW				
Warranty									
Full one-year warranty*	In-Home	In-Home	In-Home	In-Home	In-Home	Carry-In	Carry-In	Carry-In	Carry-In
Limited nine-year magnetron warranty* (10 years total)	●	●	●	●	●	●	●	●	●

*See written warranty for details.
 †Exterior dimensions: height includes feet, depth does not include handle.
 See pages 162-163 for warranty information.

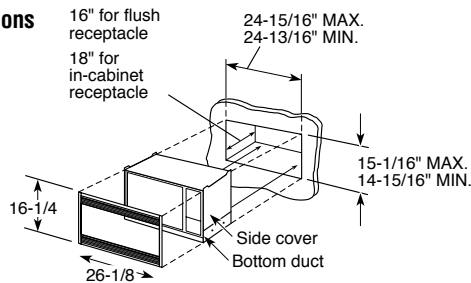
Spacemaker II™ Microwave Ovens

Compact Microwave Ovens

	GE Profile		GE	
	JEM31SF	JEM31WF JEM31CF JEM31BF	JEM25WF	JEM25BF
Capacity				
Oven cavity (cu. ft.)	1.0	1.0	1.0	1.0
Features				
Watts (IEC-705 Test Procedure)	800	800	800	800
Electronic touch controls	●	●	●	●
Scrolling display with help	●	●	●	●
Electronic digital display w/clock	●	●	●	●
Beverage	Sensor	Sensor	●	●
Cook	Chicken/Fish Potato Vegetable Sensor	Chicken/Fish Potato Vegetable Sensor		●
Popcorn	Sensor	Sensor	●	●
Reheat	Sensor	Sensor	●	●
Snacks			●	●
Express Cook	●	●	●	●
Instant On controls	●	●	●	●
Time cook I & II	●	●	●	●
Add 30 seconds	●	●	●	●
Auto/Time Defrost	●	●	●	●
Power levels	10	10	10	10
Recessed turntable	●	●	●	●
Kitchen timer	Timer On/Off	Timer On/Off	99-M./99-S.	99-M./99-S.
Beeper volume	●	●		
Sound On/Off			●	●
Cooking complete reminder	●	●	●	●
Delay Start/Reminder	●	●	●	●
Child lockout	●	●	●	●
Appearance				
Color appearance	Stainless Steel	White on white Bisque on bisque Black on black	White on white	Black on black
Door color	Stainless Steel	White Bisque Black	White	Black
Case color	Greystone	White Bisque Black	White	Black
Weights & Dimensions				
Approx. shipping weight (lbs.)	40	40	40	40
Cavity	16-23/32 x 8-1/16 x 12-15/32			
WxHxD (in inches) Exterior†	23-25/32 x 11-11/64 x 12-55/64			
Power/Ratings				
2450 Frequency (MHz)	●	●	●	●
Electrical input Watts @ 120V	1300	1300	1300	1300
Amperage	11.5	11.5	11.5	11.5
Accessories				
Cooking guide label	●	●	●	●
Hanging kit (Pub. No. 4-A019)*	Optional	Optional	Optional	Optional
Optional built-in kit	JX827SS	JX827WN/CD/BN	JX827WN	JX827BN/SS
Warranty				
Full one-year warranty**	Carry-In	Carry-In	Carry-In	Carry-In
Limited nine-year magnetron warranty** (10 years total)	●	●	●	●

*Pub. No. 4-A019 is available at additional cost.
 ** See written warranty for details.
 †Exterior dimensions: height includes feet, depth does not include handle.

Cutout Dimensions (in inches)



Built-In Trim Kit For 1.0 Cu. Ft. Microwave Ovens

For a custom built-in appearance, this kit allows built-in installation of the Spacemaker II microwave oven into a wall or cabinet alone, and is U.L.-approved for installation over a GE single electric wall oven. This kit should not be installed over a gas wall oven.

Trim Kits for Models JEM31 and JEM25

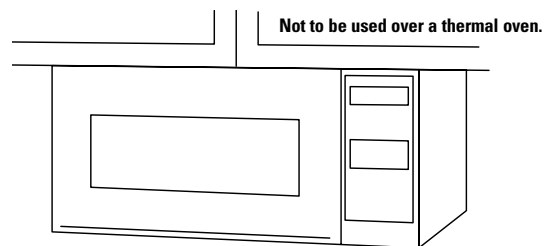
JX827SS—Stainless Steel, JX827WN—White, JX827CD—Bisque, JX827BN—Black

This information is not intended to be used for installing unit described. Before installing, consult installation instructions packed with product/kit for current dimensional data.

	GE			
	JE740WY JE740GY	JES834WD	JE710BA	JE620WF JE620BF
Capacity				
Oven cavity (cu. ft.)	.7	.8	.7	.6
Features				
Watts (IEC-705 Test Procedure)	700	800	600	600
Electronic touch controls	●	●		●
Electronic digital display w/clock (LED)	●			●
Mechanical dial			●	
Beverage pad	●			
Cook pad	●			
Popcorn pad	●			
Reheat pad	●			
Snacks pad	●			
Express Cook	●	●		
Instant On controls	●	●		
Time cook	I & II	I & II	15 Min.	●
Add 30 seconds	●	●		
Auto/Time Defrost	●	●		—/●
Power levels	10	10	1	10
Turntable	●	●	●	●
Kitchen timer	99-M./99-S.	●		
Delay Start/Reminder	●	●/-		
Sound On/Off	●			
Cooking complete reminder	●	●		
Child lockout	●	●		
Appearance				
Color appearance*	WW BB	WW	BB	WW BB
Door color	White/Black	White	Black	White/Black
Case color	White/ Greystone	White	Black	White/Black
Weights & Dimensions				
Approx. shipping weight (lbs.)	33	39	29	29
Cavity	12-1/16 x 7-11/16 x 12-1/16	13-25/32 x 8-15/32 x 13	11-7/8 x 7-5/8 x 12-1/2	11-3/32 x 6-11/16 x 11-7/32
WxHxD (in inches) Exterior**	19-1/4 x 10-13/16 x 13-9/16	20 x 12 x 14-1/2	19 x 11 x 12-7/8	18-5/32 x 9-19/32 x 12-11/16
Power/Ratings				
2450 Frequency (MHz)	●	●	●	●
Electrical input Watts @ 120V	1150	1300	910	950
Amperage	10.5	11.5	8.5	8.5
Accessory				
Hanging kit (Pub. No. 4-A019)†	Optional		Optional	Optional
Warranty				
Full one-year warranty††	Carry-In	Carry-In	Carry-In	Carry-In
Four-year magnetron warranty†† (Five years total)	Nine-Year (10 years total)	●	●	●

*WW = White on white, BB = Black on black.
 ** Exterior dimensions: height includes feet.
 †Pub. No. 4-A019 is available at additional cost.
 †† See written warranty for details.

Undercabinet Mounting Kit Pub. No. 4-A019 For Spacemaker II, Compact and Subcompact Microwave Oven Models (Available at additional cost)



Undercabinet Installation

Install Spacemaker II, Compact and Subcompact microwave ovens in just a few easy steps with the mounting template, which provides all the necessary measurements.* These microwave ovens can be installed on practically any wood or metal cabinets.

*Installation may vary depending on cabinets.

Note: 120V, 60-cycle, grounded power receptacle location optional on back within cabinet opening.

See pages 162-163 for warranty information.

Microwave Oven Trim Kits

30" Deluxe Trim Kit For 1.8 Cu. Ft. Microwave Ovens

This trim kit allows for built-in installation of the 1.8 microwave oven in a wall or cabinet alone, or over a GE 30" single electric wall oven.

30" Deluxe Trim Kits for Models JE1860 and JE1840

JX1830SB—Stainless Steel
JX1830WB—White
JX1830CB—Bisque
JX1830BB—Black

Model	"A"	30" Deluxe Trim Kit
JE1860SB	29-3/4"	JX1830SB
JE1860WB	29-3/4"	JX1830WB
JE1860CB	29-3/4"	JX1830CB
JE1860GB	29-3/4"	JX1830BB
JE1840WB	29-3/4"	JX1830WB
JE1840GB	29-3/4"	JX1830BB

27" Deluxe Trim Kit For 1.8 Cu. Ft. Microwave Ovens

The 27" deluxe trim kit allows a 1.8 microwave oven to be built into a wall or cabinet alone, or over a GE 27" single electric wall oven for a complete one-piece, built-in, integrated appearance.

27" Deluxe Trim Kits for Models JE1827 and JE1840

JX1827SB—Stainless Steel
JX1827WB—White
JX1827CB—Bisque
JX1827BB—Black

Model	"A"	27" Deluxe Trim Kit
JE1860SB	26-7/8"	JX1827SB
JE1860WB	26-7/8"	JX1827WB
JE1860CB	26-7/8"	JX1827CB
JE1860GB	26-7/8"	JX1827BB
JE1840WB	26-7/8"	JX1827WB
JE1840GB	26-7/8"	JX1827BB

30" Deluxe Trim Kit For 1.6 Cu. Ft. Microwave Ovens

This trim kit allows for built-in installation of the 1.6 microwave oven in a wall or cabinet alone, or over a GE 30" single electric wall oven.

30" Deluxe Trim Kits for Models JE1660 and JE1640

JX1530MWW—White
JX1530MAW—Almond
JX1530MBW—Black

Model	"A"	30" Deluxe Trim Kit
JE1660WB	29-3/4"	JX1530MWW
JE1660GB	29-3/4"	JX1530MBW
JE1640WB	29-3/4"	JX1530MWW
JE1640AB	29-3/4"	JX1530MAW
JE1640GB	29-3/4"	JX1530MBW

27" Deluxe Trim Kit For 1.6 Cu. Ft. Microwave Ovens

The 27" deluxe trim kit allows a 1.6 countertop microwave oven to be built into a wall or cabinet alone, or over a GE 27" single electric wall oven for a complete one-piece, built-in, integrated appearance.

27" Deluxe Trim Kits for Models JE1660 and JE1640

JX1527MWW—White
JX1527MAW—Almond
JX1527MBW—Black

Model	"A"	27" Deluxe Trim Kit
JE1660WB	26-3/4"	JX1527MWW
JE1660GB	26-3/4"	JX1527MBW
JE1640WB	26-3/4"	JX1527MWW
JE1640AB	26-3/4"	JX1527MAW
JE1640GB	26-3/4"	JX1527MBW

Deluxe Trim Kits For 1.5 Cu. Ft. GE Profile Microwave Ovens

Built-in trim kits allow installation in a wall, cabinet alone, or over a GE 30" or 27" single electric wall oven. Use a convection wall oven under these convection microwave ovens for a complete convection cooking center.

30" Deluxe Trim Kits for Model JE1590

JX1530CSC—Stainless
JX1530CWC—White
JX1530CCC—Bisque
JX1530CBC—Black

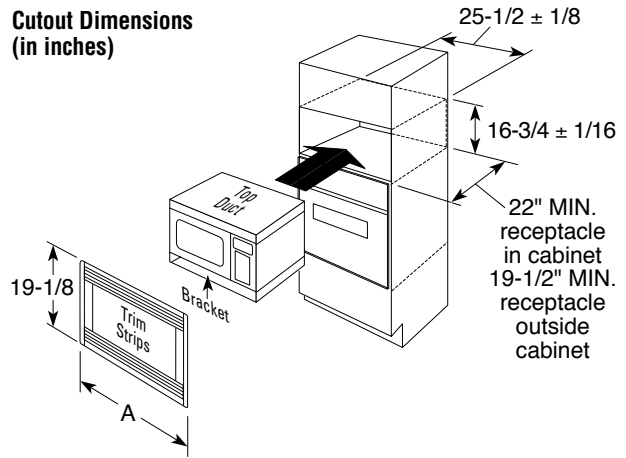
Model	"A"	30" Deluxe Trim Kit
JE1590SC	29-3/4"	JX1530CSC
JE1590WC	29-3/4"	JX1530CWC
JE1590CC	29-3/4"	JX1530CCC
JE1590BC	29-3/4"	JX1530CBC

27" Deluxe Trim Kits for Model JE1590

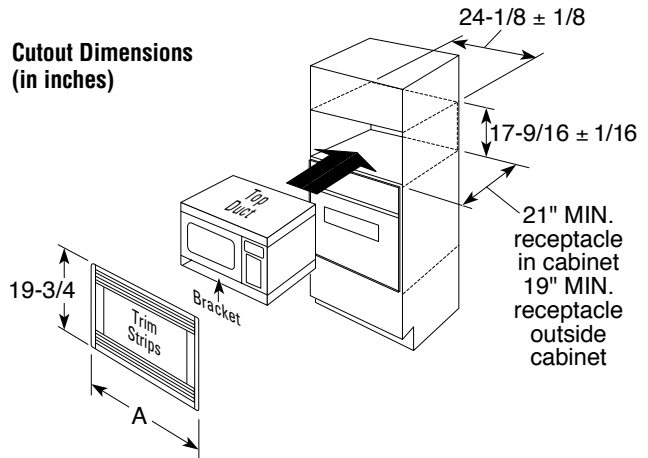
JX1527CSC—Stainless
JX1527CWC—White
JX1527CCC—Bisque
JX1527CBC—Black

Model	"A"	27" Deluxe Trim Kit
JE1590SC	26-3/4"	JX1527CSC
JE1590WC	26-3/4"	JX1527CWC
JE1590CC	26-3/4"	JX1527CCC
JE1590BC	26-3/4"	JX1527CBC

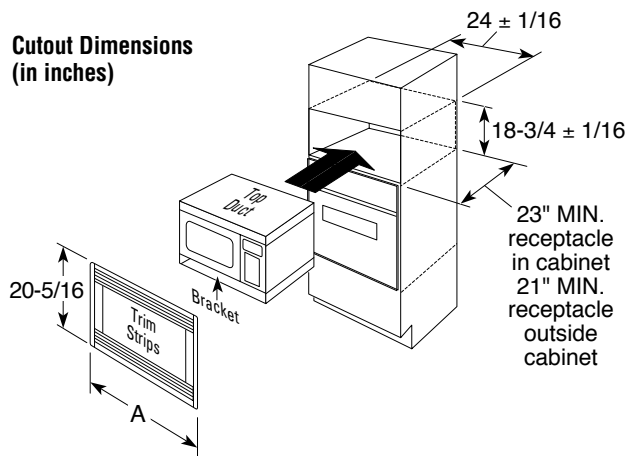
Cutout Dimensions (in inches)



Cutout Dimensions (in inches)



Cutout Dimensions (in inches)



This information is not intended to be used for installing unit described. Before installing, consult installation instructions packed with product/kit for current dimensional data.

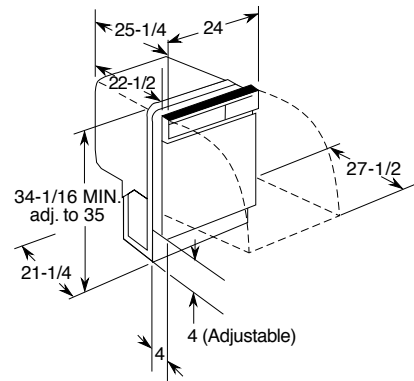
See pages 162-163 for warranty information.

GE Profile™ Built-In Dishwashers

Features	GE Profile			
	ENERGY STAR®	ENERGY STAR	ENERGY STAR	ENERGY STAR
	PDW7880GSS	PDW7800GWW PDW7800GCC PDW7800GBB	PDW7700GWW PDW7700GCC PDW7700GBB	PDW7300GWW PDW7300GCC PDW7300GBB
Front appearance	Contoured door	Contoured door	Flat door	Contoured door
Upscale flush design	●	●	●	●
Long door design	●	●	●	●
Wash system	ExtraClean™	ExtraClean	ExtraClean	ExtraClean
Wash arms	3	3	3	3
Wash levels	6-direct feed	6-direct feed	6-direct feed	6-direct feed
Water filtration	100% triple with ExtraFine™ filter	100% triple with ExtraFine filter	100% triple with ExtraFine filter	100% triple with ExtraFine filter
Dual pumps and motors	●	●	●	●
Hard food disposer	Piranha™	Piranha	Piranha	Piranha
Sensor	ExtraClean	ExtraClean	ExtraClean	ExtraClean
Automatic temperature control	●	●	●	●
Electronic controls	Light-touch	Light-touch	Light-touch	Light-touch
Cycle progress indicators	Countdown display 6 status lights	Countdown display 6 status lights	Countdown display 6 status lights	6 status lights
Touchpads	12	12	12	11
Cycles/Options	Variable*	Variable*	Variable*	Variable*
Last cycle memory	●	●	●	●
Cycles/Selections				
Anti-bacteria (NSF**)	●	●	●	●
Cookware	●	●	●	●
Normal wash	●	●	●	●
China/Crystal	●	●	●	●
Glasses cycle	●	●	●	●
SpeedCycle™ (wash & dry)	●	●	●	●
Rinse only	●	●	●	●
Enhancements				
Delay Start option	1-9-hour	1-9-hour	1-9-hour	2/4/8-hour
Hi-Temp Wash	Added heat	Added heat	Added heat	Added heat
Hi-Temp Rinse	Auto w/added heat	Auto w/added heat	Auto w/added heat	Auto w/added heat
PreWash option	●	●	●	●
Heated Dry	●	●	●	●
HotStart™	Automatic	Automatic	Automatic	Automatic
Child lock option	●	●	●	●
Racking				
Racking system	Tall-Over-Tall™	Tall-Over-Tall	Tall-Over-Tall	Tall-Over-Tall
Upper rack w/CleanTip tines	Nylon deep tiered	Nylon deep tiered	Nylon deep tiered	Nylon deep tiered
Lower rack w/CleanTip tines	Nylon towerless	Nylon towerless	Nylon towerless	Nylon towerless
Fold-down tine flexibility	4 upper with 2 multi-position/ 4 lower	4 upper with 2 multi-position/ 4 lower	4 upper with 2 multi-position/ 4 lower	2 upper with 1 multi-position/ 2 lower
Utility shelves	4 w/StemSafe upper, ExtraShelf lower	4 w/StemSafe upper, ExtraShelf lower	4 w/StemSafe upper, ExtraShelf lower	2 w/StemSafe upper
Silverware basket	Super capacity 3-piece	Super capacity 3-piece	Super capacity 3-piece	Super capacity 3-piece
Hard countertop installation	Ready	Ready	Ready	Ready
Calrod® heater	Multi-wattage w/Indicator and adjustment	Multi-wattage w/Indicator and adjustment	Multi-wattage w/Indicator and adjustment	Multi-wattage w/Indicator and adjustment
Rinse aid dispenser	●	●	●	●
Latch	Squeeze	Squeeze	Squeeze	Squeeze
Quiet				
Sound insulation package	QuietPower IV	QuietPower IV	QuietPower IV	QuietPower IV
Tube insulation	Thinstall™ w/mastic	Thinstall w/mastic	Thinstall w/mastic	Thinstall w/mastic
Door insulation and mastic	●	●	●	●
QuietPower™ motor	●	●	●	●
ActiveVent II system	●	●	●	●
Tub collar trim	●	●	●	●
Electronic control system	●	●	●	●
Quiet water valve	●	●	●	●
PermaTuf® tub and door liner	●	●	●	●
Appearance				
Colors available***	SS	WW, CC, BB	WW, CC, BB	WW, CC, BB
Weights & Dimensions				
Approx. shipping weight (lbs.)	97	90	90	90
Height w/legs retracted (in.)	34-1/16	34-1/16	34-1/16	34-1/16
Overall width (in.)	24	24	24	24
Overall depth (in.)	25-1/4	25-1/4	25-1/4	25-1/4
Accessories				
Requires kit for 1/4" panel capability with trim	N/A	N/A	GPF625W/C/B	N/A
Requires kit for trimless 3/4" panel capability	N/A	N/A	GPF675W/C/B	N/A

*Sensor controlled.
 **Certified by National Sanitation Foundation.
 ***SS = Stainless steel, WW = White on white, CC = Bisque on bisque, BB = Black on black.

Built-In Dishwasher Dimensions (in inches)



Electrical Rating

Voltage AC120
 Hertz60
 Total connected load amperage.....9.1
 Calrod heater watts max.....875
 For use on adequately wired 120-volt, 15-amp circuit having 2-wire service with a separate ground wire. This appliance must be grounded for safe operation.

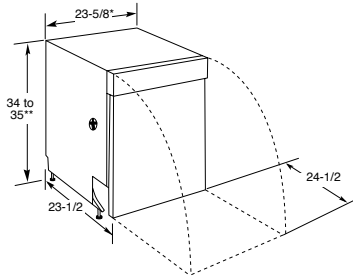
As an ENERGY STAR® partner, GE has determined that this product meets the ENERGY STAR® guidelines for energy efficiency.



GE Profile™ Built-In Dishwasher with Stainless Interior

Features	GE Profile	
	ENERGY STAR®	ENERGY STAR
	PDW8060GSS	PDW8000GWW PDW8000GCC PDW8000GBB
Stainless steel tub & door liner	●	●
Front appearance	Flat door	Flat door
Upscale flush design	●	●
Long door design	●	●
Wash system	4-level	4-level
Wash arms	2	2
Water filtration	100%	100%
Dual pumps and motors	●	●
Sensor	CleanSensor™	CleanSensor
Controls	Electronic	Electronic
Cycle progress indicators	5 LEDs	5 LEDs
Touchpads	8	8
Cycles/Options	Variable*	Variable*
Last cycle memory	●	●
Cycles/Selections		
Anti-bacteria (NSF**)	●	●
Cookware	●	●
Normal wash	●	●
China/Crystal	●	●
Enhancements		
Delay Start option	2/4/6-hour	2/4/6-hour
Hi-Temp Wash	Added heat	Added heat
Heated Dry	●	●
Child lock option	●	●
Racking		
Upper rack w/CleanTip™ tines	Nylon adjustable	Nylon adjustable
Lower rack w/CleanTip tines	Nylon	Nylon
Fold-down tine flexibility	4 lower	4 lower
Utility shelves	2 w/stem holder	2 w/stem holder
Silverware basket	Deluxe Plus w/2 cell covers	Deluxe Plus w/2 cell covers
Hard countertop installation	Ready	Ready
Calrod® heater	●	●
Rinse aid dispenser	w/Indicator and adjustment	w/Indicator and adjustment
Latch	Center pull	Center pull
Quiet		
Sound insulation package	Quiet 8000	Quiet 8000
Tube insulation	Mastic w/steel case	Mastic w/steel case
Door insulation	Mastic w/steel door	Mastic w/steel door
ActiveVent system	●	●
Tub collar trim	●	●
Quiet electronic cycle manager	●	●
Quiet water valve	●	●
Quiet water fill port	●	●
Quiet detergent cup	●	●
Tub and door liner	Stainless steel	Stainless steel
Appearance		
Colors available***	SS	WW, CC, BB
Weights & Dimensions		
Approx. shipping weight (lbs.)	120	115
Height w/legs retracted (in.)	34	35
Overall width (in.)	23-5/8	23-5/8
Overall depth (in.)	23-1/2	23-1/2
Accessories		
Requires kit for 1/4" panel capability with trim	N/A	GPF725W/C/B
Requires kit for trimless 3/4" panel capability	N/A	ZPF675W/C/B

Built-In Dishwasher Dimensions (in inches)



*Width adjustable from 23-5/8" to 24".
All models shipped with stainless steel tub trim.
**Meets ADA countertop height requirement of 34".
Height adjustable to 32-1/2" with leveling legs and toe-kick removed.

Electrical Rating

Voltage AC120
Hertz60
Total connected load amperage.....12.0
Calrod® heater watts max.....1200
For use on adequately wired 120-volt, 15-amp circuit having 2-wire service with a separate ground wire.
This appliance must be grounded for safe operation.

As an ENERGY STAR® partner, GE has determined that this product meets the ENERGY STAR® guidelines for energy efficiency.



Listed by Underwriters Laboratories

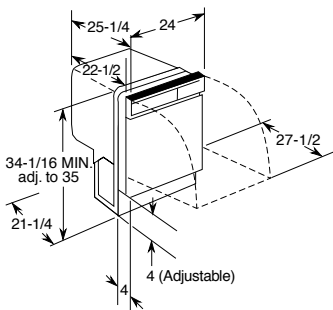
GE Triton XL™ Built-In Dishwashers

GE Triton™ Built-In Dishwashers

Features	GE	
	ENERGY STAR GSD6660GSS GSD6600GWW GSD6600GCC GSD6600GBB	ENERGY STAR GSD6200GWW GSD6200GCC GSD6200GBB
Front appearance	Flat door	Flat door
Upscale flush design	●	●
Long door design	●	●
Wash system	XtraClean™	XtraClean
Wash arms	3	3
Wash levels	6—direct feed	6—direct feed
XtraFine™ filter	100% triple with Water filtration	100% triple with XtraFine™ filter
Dual pumps and motors	●	●
Hard food disposer	Piranha™	Piranha
Sensor	XtraClean	XtraClean
Automatic temperature control	●	●
Electronic controls	Light-touch	Light-touch
Cycle progress indicators	6 status lights	1 "Clean" light, 1 "Sanitized" light
Touchpads	10	9
Cycles/Options	Variable*	Variable*
Last cycle memory	●	●
Cycles/Selections		
Anti-bacteria (NSF**)	●	●
Pots & Pans cycle	●	●
Normal wash	●	●
China/Crystal	●	●
SpeedCycle™ (wash & dry)	●	●
Rinse only	●	●
Extras		
Delay Start option	2/4/8-hour	2/4/8-hour
Hi-Temp Wash	XtraHot wash	XtraHot wash
Hi-Temp Rinse	Auto w/XtraHot wash	Auto w/XtraHot wash
Heated Dry	●	●
HotStart™	Automatic	Automatic
Child lock option	●	●
Racking		
Racking system	Tall-Over-Tall™	Tall-Over-Tall
Upper rack	Nylon deep tiered	Deep tiered
Lower rack	Nylon towerless	Towerless
Fold-down tine flexibility	2 lower	
Utility shelves	2 upper	2 upper
Silverware basket	Super capacity 3-piece	Super capacity w/2 cell covers
Hard countertop installation	GPF65 Kit	GPF65 Kit
Calrod heater	Multi-wattage	Multi-wattage
Rinse aid dispenser	w/Indicator and adjustment	w/Indicator and adjustment
Latch	Squeeze	Squeeze
Quiet		
Sound insulation package	QuietPower IV	QuietPower IV
Tube insulation	Thinstall™ w/mastic	Thinstall w/mastic
Door insulation and mastic	●	●
QuietPower™ motor	●	●
ActiveVent II system	●	●
Tube collar trim	●	●
Electronic control system	●	●
PermaTuf® tub and door liner	●	●
Appearance		
Colors available***	SS, WW, CC, BB	WW, CC, BB
Weights & Dimensions		
Approx. shipping weight (lbs.)	90	90
Height w/legs retracted (in.)	34-1/16	34-1/16
Overall width (in.)	24	24
Overall depth (in.)	25-1/4	25-1/4
Accessories		
Requires kit for 1/4" panel capability with trim	GPF625W/C/B	GPF625W/C/B
Requires kit for trimless 3/4" panel capability	GPF675W/C/B	GPF675W/C/B

*Sensor controlled.
 **Certified by National Sanitation Foundation.
 ***SS = Stainless steel, WW = White on white, CC = Bisque on bisque, BB = Black on black.

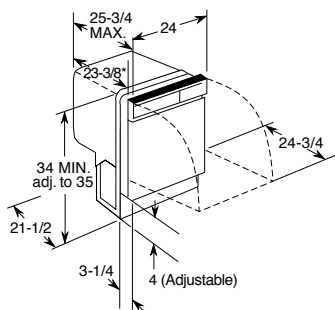
GE Triton XL Built-In Dishwasher Dimensions (in inches)



Electrical Rating

Voltage AC120
 Hertz60
 Total connected load amperage9.1
 Calrod heater watts max875
 For use on adequately wired 120-volt, 15-amp circuit having 2-wire service with a separate ground wire. This appliance must be grounded for safe operation.

GE Triton Built-In Dishwasher Dimensions (in inches)



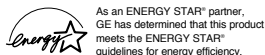
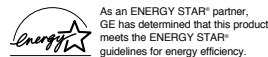
Electrical Rating

Voltage AC120
 Hertz60
 Total connected load amperage8.2
 Calrod heater watts725
 For use on adequately wired 120-volt, 15-amp circuit having 2-wire service with a separate ground wire. This appliance must be grounded for safe operation.

Features	GE	
	ENERGY STAR® GSD5560GSS	ENERGY STAR GSD5500GWW GSD5500GCC GSD5500GBB
Wash system	TriClean™	TriClean
Dual pumps and motors	●	●
Wash levels	6	6
Water filtration	100% Triple	100% Triple
Hard food disposer	Piranha	Piranha
CleanSensor	●	●
Cycles	Variable	Variable
Pots & Pans	●	●
Normal Wash	●	●
Light Wash	●	●
China/Crystal	●	●
SaniWash	●	●
Rinse only	●	●
Options	Variable	Variable
Delay Start option	2/4/8-hour	2/4/8-hour
Heated Dry	●	●
Child lock option	●	●
Racks, shelf & basket		
Upper rack	Super	Super
Lower rack	Super	Super
Utility shelves	2	2
Silverware basket	Super capacity w/1 cell cover	Super capacity w/1 cell cover
Control type	Electronic	Electronic
Cycle progress indicators	6 LEDs	6 LEDs
Touchpads	10	10
Rinse aid dispenser	w/Indicator	w/Indicator
Steel door	●	●
Center throw door latch	●	●
Quiet		
Quiet		
Sound insulation package	QuietPower II	QuietPower II
PermaTuf® tub and door liner	●	●
QuietPower™ motor	●	●
Appearance		
Colors available*	SS	WW, CC, BB
Color panels—door & access	Trimless	Trimless
Weights & Dimensions		
Approx. shipping weight (lbs.)	85	80
Height w/legs retracted (in.)	34	34
Overall width (in.)	24	24
Overall depth (in.)	25-3/4	25-3/4
Accessories		
Requires kit for 1/4" panel capability with trim	N/A	GPF425W/C/B
Requires kit for trimless 3/4" panel capability	N/A	GPF475

All GE dishwashers are equipped with the following: 120°F inlet water capability, Easy-Glide roller system, convection drying, horizontal mechanism, leveling screws.

*Colors available: SS = Stainless Steel, WW = White on white, CC = Bisque on bisque, BB = Black on black.



GE® Built-In Dishwashers

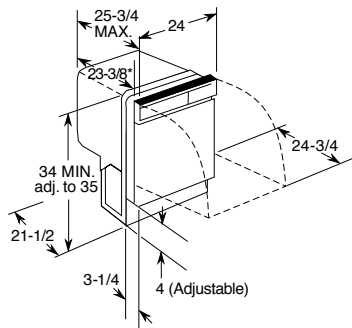
GE							
	GSD4800GWW GSD4800GCC GSD4800GBB	ENERGY STAR GSD3800GWW GSD3800GCC GSD3800GBB	GSD3660GSS GSD3600GWW GSD3600GCC GSD3600GBB	GSD3200GWW GSD3200GCC GSD3200GBB	ENERGY STAR GSD2200GWW* GSD2200GCC GSD2200GBB	GSD2000GWW* GSD2000GCC GSD2000GAA GSD2000GBB	GSD1900GWH
Features							
Wash system	PowerScrub™	SureClean™	PowerScrub	PowerScrub	Standard	Standard	Standard
Wash levels	5	3	5	5	2	2	2
Water filtration	Dual	Dual	Dual	Dual			
Food disposer	Piranha™	●	Piranha	Piranha	●	●	●
Cycles	5	6	7	5	5	4	4
Pots & Pans	●	●	●	●	●		
Heavy Wash		●				Dial	Dial
Normal Wash	●	●	●	●	●	Dial	Dial
Light Wash	●	●	●				
China/Crystal	●		●				
Short Wash			Dial	Dial	Dial	Dial	Dial
Plate Warmer		Dial	Dial	Dial	Dial		
Rinse only	●	Dial	Dial	Dial	Dial	Dial	Dial
Options	34	35	39	22	12	9	9
Delay Start option	2/4/8-hour	1-6-hour	1-6-hour				
Heated Dry	●	●	●	●	●	Rocker	Rocker
Hi-Temp Wash	●	●	●	●			
Hi-Temp Rinse	●						
HotStart™		●	●	Dial	Dial	Dial	Dial
Child lock option	●						
Racks, shelf & basket							
Upper rack	Deluxe Plus	Deluxe Plus	Deluxe Plus	Deluxe	Standard	Standard	Standard
Lower rack	Deluxe	Deluxe	Deluxe	Deluxe	Deluxe	Deluxe	Deluxe
Utility shelves	2	2	2				
Silverware basket	Deluxe	Deluxe	Deluxe	Deluxe	Deluxe	Deluxe	Deluxe
Control type	Electronic	TouchTap™	TouchTap	Turn-to-start	Turn-to-start	Turn-to-start	Turn-to-start
Cycle progress indicator(s)	1 "Clean"	1 "Cycle On"	1 "Cycle On"	Dial	Dial	Dial	Dial
Touchpads	11	8	8				
Pushbuttons				6	4		
Rinse aid dispenser	w/Indicator	w/Indicator	w/Indicator	●	●	●	●
Steel door	●	●	●	●	●	●	●
Center throw door latch	●	●	●	●	●	●	●
Quiet							
Quiet							
Sound insulation package	QuietPower I	QuietPower I	QuietPower I	QuietPower I	QuietDesign™	Standard	Standard
PermaTuf® tub/door liner	●	●	●	●	●	●	●
QuietPower™ motor	●	●	●	●	●	●	●
Appearance							
Colors available**	WW, CC, BB	WW, CC, BB	SS, WW, CC, BB	WW, CC, BB	WW, CC, BB	WW, CC, AA, BB	WH
Color panels—door & access	Trimless	Trimless	Trimless	Trimless	Trimless	Trimless	Trimless
Weights & Dimensions							
Approx. shipping weight (lbs.)	80	80	80	80	80	80	80
Height w/legs retracted (in.)	34	34	34	34	34	34	34
Overall width (in.)	24	24	24	24	24	24	24
Overall depth (in.)	25-3/4	25-3/4	25-3/4	25-3/4	25-3/4	25-3/4	25-3/4
Accessories							
Requires kit for 1/4" panel capability with trim	GPF425W/C/B	GPF425W/C/B	GPF425W/C/B	GPF325W/C/B	GPF325W/C/B	GPF325W/C/A/B	GPF325W
Requires kit for trimless 3/4" panel capability	GPF475	GPF475	GPF475	GPF375	GPF375	GPF375	GPF375

All GE Dishwashers are equipped with the following: 120°F inlet water capability, Easy-Glide roller system, convection drying, horizontal mechanism, leveling screws.

*GSD2201GWW and GSD2001GWW available with power cord attached.

**Colors available: SS = Stainless steel, WW = White on white, CC = Bisque on bisque, BB = Black on black, AA = Almond on almond, WH = White body w/black control panel.

GE Built-In Dishwasher Dimensions (in inches)



Electrical Rating

Voltage AC120
 Hertz60
 Total connected load amperage6.2
 Calrod® heater watts500
 For use on adequately wired 120-volt, 15-amp circuit having 2-wire service with a separate ground wire. This appliance must be grounded for safe operation.



As an ENERGY STAR® partner, GE has determined that this product meets the ENERGY STAR® guidelines for energy efficiency.



Listed by Underwriters Laboratories

GE Nautilus™ Convertible Dishwashers

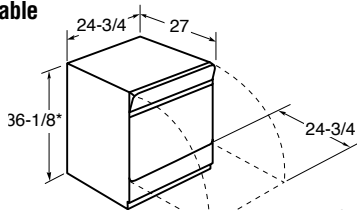
GE Spacemaker® Built-In 18" Dishwasher

Features	GE	
	GSC3400GWW GSC3400GBB	GSC3200GWW GSC3200GBB
Wash system	PowerScrub	PowerScrub
Wash levels	5	5
Water filtration	Dual	Dual
Hard food disposer	Piranha	Piranha
Cycles	7	5
Pots & Pans	●	●
Normal Wash	●	●
Light Wash	●	●
China/Crystal	●	●
Short Wash	Dial	Dial
Plate Warmer	Dial	Dial
Rinse Only	Dial	Dial
Options	39	22
Delay Start option	1-6-hour	
Heated Dry	●	●
Energy Saver	●	●
Hi-Temp wash	●	●
HotStart	●	Dial
Racks (upper/lower)	Deluxe	Deluxe
Silverware basket	Deluxe split w/2 cell covers	Deluxe
Cycle progress indicator	1 "Cycle On"	Dial
TouchTap™ controls	8	
Pushbuttons		6
Rinse aid dispenser	w/Indicator	●
Steel door	●	●
Center throw door latch	●	●
Quiet		
Quiet		
Sound insulation package	QuietDesign	QuietDesign
PermaTuf tub and door liner	●	●
QuietPower motor	●	●
Sealed toekick	●	●
Appearance		
Colors available*	WW, BB	WW, BB
Color panels—door & access	Trimless	Trimless
Decorative wood laminate top	Woodgrain	Woodgrain
Weights & Dimensions		
Approx. shipping weight (lbs.)	130	130
Overall height w/legs extended (in.)	36-3/8	36-3/8
Overall width (in.)	24-7/8	24-7/8
Overall depth (in.)	27	27
Accessories		
Requires kit for 1/4" panel capability with trim	GPF425W/B	GPF325W/B
Requires kit for trimless 3/4" panel capability	GPF475	GPF375

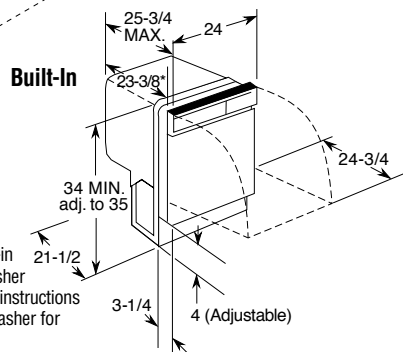
*Colors available: WW = White on white, BB = Black on black.

Convertible Dishwasher Dimensions (in inches)

Portable



*Includes top and wheels



Important Note: GE kit number WD35M34 needed when adapting GE convertible dishwasher to a built-in installation. Contains built-in dishwasher water valve, hardware and complete instructions for changing a GE convertible dishwasher for under-the-counter installation.

Features	GE	
	GSS1800Z	
Wash levels	2	
Cycles	4	
Pots & Pans	Dial	
Normal Wash	Dial	
Light Wash	Dial	
Rinse & Hold	Dial	
Options	7	
Heated Dry	Rocker	
Racks (upper/lower)	Standard	
Silverware basket	Standard	
Control type	Turn-to-start	
Cycle progress indicator	Dial	
Rinse aid dispenser	●	
120°F inlet water capability	●	
Leveling screws	●	
Economical/Quiet		
Tub insulation	Standard	
Appearance		
Colors available (insert panels)	White / Almond / Black	
Weights & Dimensions		
Approx. shipping weight (lbs.)	70	
Height w/legs retracted (in.)	34-1/8	
Overall width (in.)	18	
Overall depth (in.)	25-3/8	

Spacemaker Built-In Dimensions (in inches)

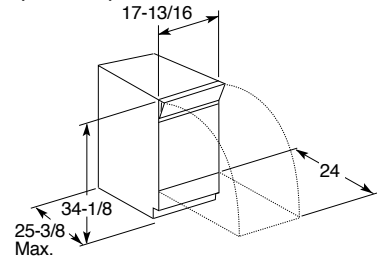


Figure 1

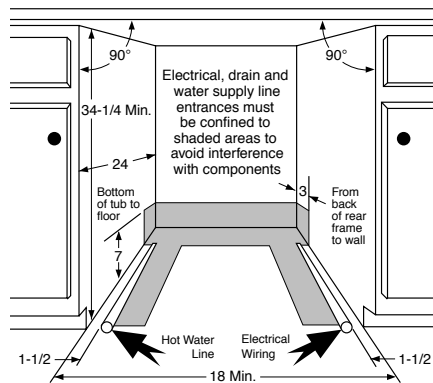
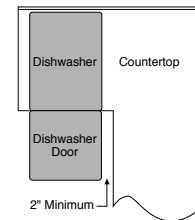


Figure 2



Dishwasher Rough-In Information

Note: Dishwasher must not be installed more than ten feet from sink for proper drainage. All plumbing and electrical work must be in accordance with local codes.

Most of the installation work should be done before the dishwasher is moved into place. First, select a location as close to the sink as possible for ready access to water and drain lines. For proper operation and appearance of the dishwasher, the cabinet opening should be square and have dimensions as shown in Figure 1. If the dishwasher is to be installed in a corner, there must be sufficient clearance to open the door as shown in Figure 2. A minimum clearance of 2" is recommended.

Rough-in the water, electrical, and drain lines before proceeding with installation. The lines should run straight to their connections on the dishwasher.

Note: Make sure that the lines do not cross in front of the dishwasher motor or its legs.

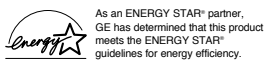
Note: For trim kit to install wood panel up to 3/16" thick on GSS1800Z model only, order Pub. No. 5-A007.

GE Spacemaker® Under-the-Sink Dishwashers

GE	
ENERGY STAR®	
GSM2100GWW GSM2100GCC	
Features	
Wash levels	2
Food disposer	●
Cycles	5
Pots & Pans	●
Normal Wash	●
Short Wash	Dial
Plate Warmer	Dial
Rinse Only	Dial
Options	12
Heated Dry	●
HotStart™	Dial
Racks, shelf & basket	
Upper rack	Spacemaker
Lower rack	Deluxe
Silverware basket	Deluxe
Control type	Turn-to-start
Cycle progress indicator	Dial
Pushbuttons	4
Rinse aid dispenser	●
Steel door	●
Center throw door latch	●
Quiet	
PermaTuf® tub and door liner	●
QuietPower™ motor	●
Appearance	
Colors available*	WW, CC
Color panels—door & access	Trimless
Weights & Dimensions	
Approx. shipping weight (lbs.)	72
Height w/legs retracted (in.)	34
Overall width (in.)	24
Overall depth (in.)	25-3/4
Accessories	
Requires kit for 1/4" panel capability with trim	GPF325W/C
Requires kit for trimless 3/4" panel capability	GPF375

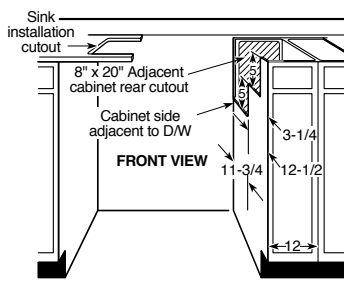
*Colors available: WW = White on white, CC = Bisque on bisque, control panel/bisque on bisque, front panels.

Note: Under-the-Sink dishwashers can be installed under GE cooktop models JP200V and JP201V. Refer to cooktop installation instructions.



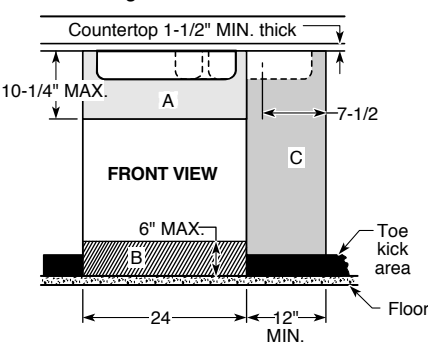
As an ENERGY STAR® partner, GE has determined that this product meets the ENERGY STAR® guidelines for energy efficiency.

Cabinet Cutout for Sink



Cabinet cutouts for offset single and double bowl sinks. Dishwasher not provided with complete enclosure. Enclosures for sides, top, bottom, and back must be provided by installer at time of installation.

Cabinet Rough-In



Either single- or double-bowl sink may be used, centered or offset, as shown in the front illustration above. The 20-1/2" max. dimension from wall to front of sink bowl must be accurate if dishwasher is to fit properly under sink. Water lines to sink faucet and drain from sink can be run through area "A." HOT WATER line to dishwasher is installed in area "B." Garbage disposer, water lines to faucet, trap, waste air gap and water cut-off valve are installed in 12" wide cabinet shown in area "C." Sink opening for garbage disposer must be dimensioned as shown in front view, area "C" above (7-1/2"). This will provide clearance for disposer and plumbing in cabinet "C" when using double bowl sink. If the sink bowl is more than 20-1/2" max. specified distance from the wall, or if the base cabinet is less than the 24" min. depth from the wall, a gap between the tub front flange and the front of the base cabinet may result.

Stainless Steel Sinks Single- and Double-Bowl Models Dimensions (in inches)

Model Number	Overall Size		Inside Each Compartment		
	L	W	L	W	D
GPF95 (Single Bowl, R)*	25	21-1/4	21	15-3/4	5-3/8
GPF96 (Single Bowl, L)*	25	21-1/4	21	15-3/4	5-3/8
GPF97 (Double Bowl)	33	21-1/4	14	15-3/4	5-3/8

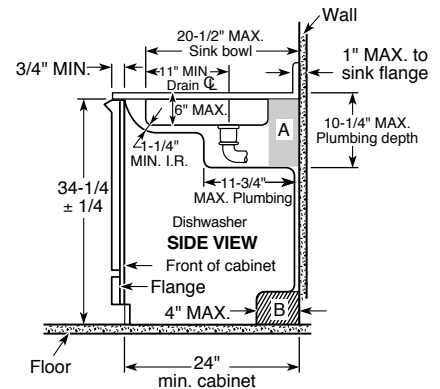
Model Number	Cutout in Countertop 1-1/2" Radius Corners		No. Of 1-1/2" Dia. Faucet Holes	Ship. Wt. Lbs.
	L	W		
GPF95 (Single Bowl, R)*	24-3/8	20-5/8	3 or 4**	10
GPF96 (Single Bowl, L)*	24-3/8	20-5/8	3 or 4**	10
GPF97 (Double Bowl)	32-3/8	20-5/8	3 or 4**	12-1/2

Note: Drain opening size is 3-1/2".

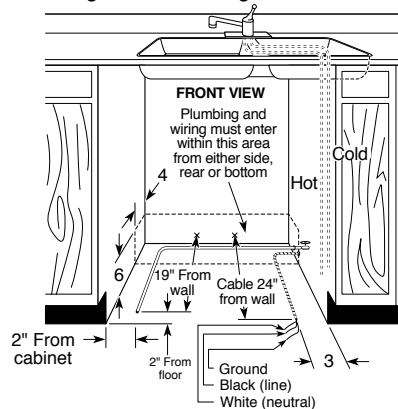
Above models are fully sound deadened.

*Suffix "L" or "R" means drain outlet is located in upper left or right corner of sink compartment.

**All have four holes, but one hole has a removable plug.



Plumbing/Electrical Rough-In



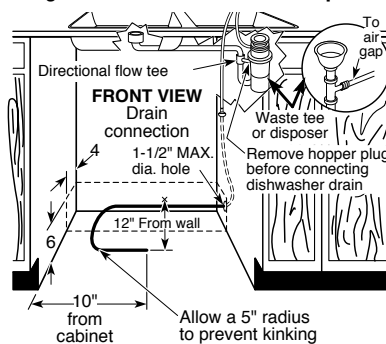
Plumbing: Hot Water Only: Use 3/8" O.D. copper tubing or 1/2" O.D. plastic tubing min. inlet line. Water valve has 3/8" internal threads. Hand cut-off valve is recommended.

Electrical: Fuse circuit with 15 amp or 20 amp standard fuse or circuit breaker. Total amp load is 6.2. Dishwasher operates on 120V, 60 Hz power. Two-wire cable (14 Ga. Min.) with ground must be installed.

Note: All rough-in, both plumbing and electrical, must be completed before the dishwasher is installed. All plumbing and electrical work must be in accordance with local codes.

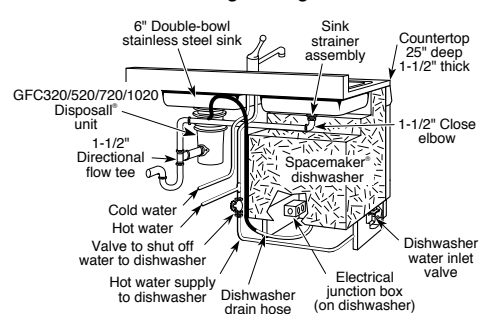
Specifications: Inlet Water Temperature Recommended: Minimum 120°F at dishwasher. Inlet Water Pressure Required: 15 to 120 lbs./sq. in.

Rough-In for Installation with Disposer



A close-fitting elbow or special shallow sink strainer is necessary to provide clearance between sink drain and dishwasher. Dishwasher furnished with 1/2" I.D. drain hose, 78" long. If using copper tubing, 2" length of 1/2" I.D. rubber hose must be provided to connect copper tubing to pump outlet. Disposer should have 7/8" I.D. dishwasher drain connector.

Rear View Plumbing Arrangement



Dishwasher Accessories

Dishwasher Panel Kits and Accessories:

Models: GSC3200, GSM2100, GSD1900, GSD2000, GSD2001, GSD2200, GSD2201 and GSD3200.

GPF310W/C/A/B—panel kit (door and access)

Models: GSD5560, GSD5500, GSD4800, GSD3800, GSD3660, GSD3600 and GSC3400.

GPF410S/W/C/A/B—panel kit (door and access)

Models: PDW7700, GSD6660, GSD6600 and GSD6200.

GPF610S/W/C/B—panel kit (door)

Models: PDW7880, PDW7800 and PDW7300.

GPF710S/W/C/B—panel kit (door)

Side Panel for All GE Models:

Contains one panel and adjustable toe-kick for end cabinet installation of built-in model. Does not attach to dishwasher. Specify color: GPS5WH—White, GPS5AD—Almond

NOTE: S = Stainless steel, W = White, C = Bisque, A = Almond, B = Black

Wood Panel Capability:

Models: GSD3200, GSD2200, GSD2201, GSD2000, GSD2001, GSD1900, GSC3200 and GSM2100.

GPF325W/C/A/B—1/4" panel trim kit (door and access)

GPF375—3/4" panel trim kit (door and access [GPF100—heavy-duty spring kit included])

Models: GSD5500, GSD4800, GSD3800, GSD3600 and GSC3400.

GPF425W/C/A/B—1/4" panel trim kit (door and access)

GPF475—3/4" panel trim kit (door and access [GPF100—heavy-duty spring kit included])

Models: PDW7700, GSD6600 and GSD6200.

GPF625W/C/B—1/4" panel trim kit (door)

GPF675W/C/B—3/4" panel trim kit (door)

Model: PDW8000.

GPF725W/C/B—1/4" panel trim kit (door)

ZPF675W/C/B—3/4" panel trim kit (door)

Spacemaker Dishwasher Accessories:

Model: GSM2100.

GPF95—Stainless sink for Spacemaker dishwasher—single bowl 21-1/4" x 25" Drain hole on right; elbow and strainer included.

GPF96—Stainless sink for Spacemaker dishwasher—single bowl 21-1/4" x 25" Drain hole on left; elbow and strainer included.

GPF97—Stainless sink for Spacemaker dishwasher—double bowl 21-1/4" x 33" Elbow and strainer included.

Optional Dishwasher Accessories:

GPF53—Brackets for under non-wood countertop installation (Triton™, Nautilus™, Spacemaker Under-the-Sink only)

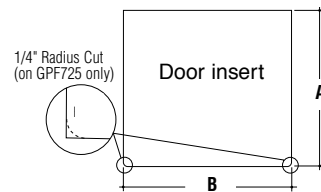
GPF65—Brackets for under non-wood countertop installation. (Profile™ and Triton XL™ [included with Profile])

GPF100—Heavy spring kit for custom door panel weighing more than 4 lbs. (Triton and Nautilus only)

*Excludes PDW8060 and PDW8000

Wood Insert Cutout Dimensions

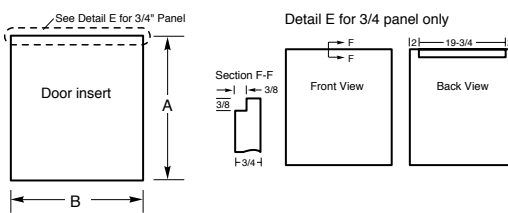
Model: PDW8000



Kit	A	B	Panel Thickness
GPF725	25-1/4"	23-1/8"	1/4"
ZPF675	25-1/8"	23-1/8"	3/4"

Wood Insert Cutout Dimensions

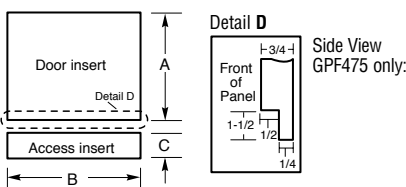
Models: PDW7700, GSD6600 and GSD6200



Kit	A	B	Panel Thickness
GPF625	25-1/16"	23-1/2"	1/4"
GPF675	25-7/16"	23-3/4"	3/4"

Wood Insert Cutout Dimensions

Models: GSD5500, GSD4800, GSD3800, GSD3600 and GSC3400



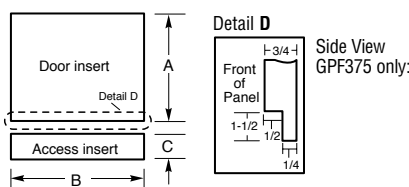
Kit	A	B	C	D - Panel Thickness
GPF425	19-3/4"	23-9/16"	3-11/16"	1/4"
GPF475	19-7/8"	23-5/8"	3-11/16" to 4-1/4"	3/4"

*Bottom of panel must be notched 1-1/2" x 1/2" to clear access panel. (See illustration above)

**Adjustment required to match adjacent cabinet fronts due to leveling adjustment, 4" nominal.

Wood Insert Cutout Dimensions

Models: GSD3200, GSD2200, GSD2201, GSD2000, GSD2001, GSD1900, GSC3200 and GSM2100

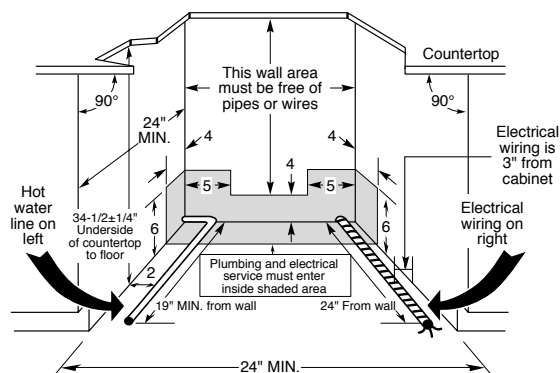


Kit	A	B	C	D - Panel Thickness
GPF325	18-7/8"	23-9/16"	3-11/16"	1/4"
GPF375	18-15/16"	23-5/8"	3-3/4" to 4-1/4"	3/4"

*Bottom of panel must be notched 1-1/2" x 1/2" to clear access panel. (See illustration above)

**Adjustment required to match adjacent cabinet fronts due to leveling adjustment, 4" nominal.

GE Profile™ and GE® Dishwashers Installation Information (in inches)



Dishwasher Rough-In Information

Note: Dishwasher must not be installed more than ten feet from sink for proper drainage. All plumbing and electrical work must be in accordance with local codes.

Note: If a flush lock is needed, a 25" base cabinet needs to be used (except Profile™ and Triton XL™ models).

The power cord and connections must comply with the National Electrical Code Section 422 and/or local codes and ordinances. The cord must be no longer than six feet from the junction box to the receptacle.

*Excludes PDW8060 and PDW8000

See page 163 for warranty information.

GE Disposall® — Food Waste Disposer

Features	GE Continuous Feed								Batch Feed	Three-Bolt Adaptable
	GFC1020F	GFC720F	GFC530F	GFC535F	GFC520F	GFC525F	GFC320F	GFC325F	GFB760F	GFC329G
Motor horsepower	1	3/4	1/2	1/2	1/2	1/2	1/3	1/3	3/4	1/3
Control method	Wall switch	Wall switch	Wall switch	Wall switch	Wall switch	Wall switch	Wall switch	Wall switch	Stopper	Wall switch
Feed type	Continuous	Continuous	Continuous	Continuous	Continuous	Continuous	Continuous	Continuous	Batch	Continuous
Power connection	Direct wire	Direct wire	Direct wire	Line cord	Direct wire	Line cord	Direct wire	Line cord	Direct wire	Line cord
Impellers										
Dual-swivel	●	●	●	●	●	●	●	●	●	●
Jam resistant	●	●	●	●	●	●	●	●	●	●
Stainless steel	●	●	●	●	●	●	●	●	●	●
Armature shaft material	Cold-rolled carbon steel	Cold-rolled carbon steel	Cold-rolled carbon steel	Cold-rolled carbon steel	Cold-rolled carbon steel	Cold-rolled carbon steel	Cold-rolled carbon steel	Cold-rolled carbon steel	Cold-rolled carbon steel	Cold-rolled carbon steel
Grinding speed (RPM's)	2,800	2,700	2,600	2,600	2,600	2,600	1,900	1,900	2,700	1,900
Capacity	Super	Super	Extra-large	Extra-large	Large	Large	Large	Large	Super	Large
Mounting type	EZ-Mount	EZ-Mount	EZ-Mount	EZ-Mount	EZ-Mount	EZ-Mount	EZ-Mount	EZ-Mount	EZ-Mount	3-Bolt Mount Adapter
Turntable material	Stainless	Stainless	Stainless	Stainless	Galv. steel	Galv. steel	Galv. steel	Galv. steel	Stainless	Galv. steel
Two-level precutter	●	●	●	●	●	●	●	●	●	●
Stainless steel sink flange	●	●	●	●	●	●	●	●	●	●
Manual reset overload protector	●	●	●	●	●	●	●	●	●	●
Splash guard	●	●	●	●	●	●	●	●	●	●
Sink stopper	●	●	●	●	●	●	●	●	●	●
Dishwasher drain connector	●	●	●	●	●	●	●	●	●	●
Drain elbow	●	●	●	●	●	●	●	●	●	●
Quiet										
Sound insulation package	QuietPower™ III	QuietPower II	QuietPower I	QuietPower I	Standard	Standard	Standard	Standard	QuietPower II	Standard
Weights & Dimensions										
Approx. shipping weight (lbs.)	14.9	12.45	9.6	9.9	8.8	9.1	8.4	8.7	13.75	8.0
Net weight (lbs.)	13.2	10.7	8.05	8.35	7.8	8.1	7.4	7.7	11	7.4
Dishwasher inlet diameter (in.)	3/4	3/4	3/4	3/4	3/4	3/4	3/4	3/4	3/4	3/4
Drain outlet diameter (in.)	1-1/2	1-1/2	1-1/2	1-1/2	1-1/2	1-1/2	1-1/2	1-1/2	1-1/2	1-1/2
Power Ratings										
Volts, Hertz, Amps	120; 60; 7.0	120; 60; 6.0	120; 60; 4.5	120; 60; 4.5	120; 60; 4.5	120; 60; 4.5	120; 60; 4.0	120; 60; 4.0	120; 60; 6.0	120; 60; 4.0
Warranty*										
One-year full replacement							●	●		●
One-year full replacement plus One-year limited replacement					●	●				
One-year full replacement plus Two-year limited replacement			●	●						
One-year full replacement plus Four-year limited replacement		●							●	
One-year full replacement plus Six-year limited replacement	●									

*See written warranty for details.

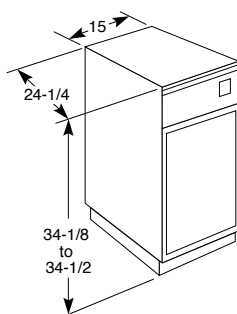
Built-In Compactors

Features	GE Profile™
	GCG1550FCC, GCG1540FSS, GCG1530FWW, GCG1520FBB
Cycle time	27 seconds max., 14 seconds min.
Drive system	2-Point
Motor horsepower	1/3
Compression ratio (average)	75% reduction of volume
Ram force (lb.) (max.)	2,300
Front level legs and rear wheels	●
Capacity	1.4 cu. ft.
Side release bin	●
Toe/foot pedal drawer opener	●
Lock/start control w/removable key	●
Automatic anti-jam	●
Slide-out drawer	●
Appearance	
Color appearance*	SS, WW, CC, BB
Color-matched	●
Heavy-gauge steel construction	●
1/4" panel capability	●
Weights & Dimensions	
Total shipping weight (lbs.)	152
Total appliance weight (lbs.)	141
Overall height (in.)	34-1/8 to 34-1/2
Overall width (in.)	15
Overall depth (in.)	24-1/4
Cutout dimensions H x W x D (in.)	34-1/4 x 15-1/8 x 24-3/4
Clearance for drop-down drawer side	6" or more on right side
Drawer extension for removal	23" or more in front of appliance
Custom panel size H x W (in.)	23-15/16 x 14-5/8
Accessories	
Compactor bags (5 included)	WC60X5017
Warranty	
Full One-year warranty**	●

*Colors available: SS = Stainless steel, WW = White on white, CC = Bisque on bisque, BB = Black on black.

**See written warranty for details.

Compactor Dimensions (in inches)



Compactor Accessories:

New 1/4" panel trim kits (color-matched)
GPF82S—Stainless steel
GPF82W—White
GPF82C—Bisque
GPF82B—Black

GFC329G—Designed to easily adapt to existing 3-bolt mount system of the following models

	ISE®	Emerson®	Sears®
Grind-All	333	E-10	42-6070
Badger 1	333 SS	E-20	42-6051
Badger 5+	77	E-30	42-6050
Badger 5	Classic	E-40	42-6040
777	Medallion	E-80	42-6011
555	Pro 77	E-90	42-6013
444	Pro 333	E-100	42-6010
17	Pro 333 SS		42-6012

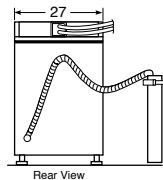
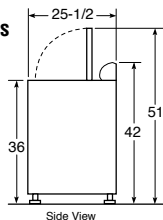
ISE® and In-Sink-Erator® are registered trademarks of Emerson Electric Co.

Washers

	GE Profile						GE		
	WPSE7003A	WPSB9120B	WHSB9000B	WPSB9080B	WPSB8060B	WHSB8000B	WCSE6270B	WCSE4160B	WCSR2080B
Capacity									
Capacity cu. ft	Super Plus 3.2	Super Plus 3.2	Super Plus 3.2	Super Plus 3.2	Super Plus 3.2	Super Plus 3.2	Super Plus 3.2	Super Plus 3.2	Super 3.2
Features									
ENERGY STAR®			●			●			
Controls	One-Touch Electronic	One-Touch Electronic	One-Touch Electronic	One-Touch Electronic	One-Touch Electronic	One-Touch Electronic	Rotary-Electronic	Rotary-Electronic	Rotary-Mechanical
Custom cycles	2	2	2						
Adaptive Logic	●	●	●	●	●	●			
Speed Wash	●	●	●						
Power Rinse™	●	●	●	●	●	●	●	●	
Cycle status lights	●	●	●	●	●	●	●	●	
Wash/rinse temps	4	4	3	4	4	3	4	3	3
Wash/spin speed combinations	5	12	10	8	6	6	6	4	2
Water levels	5	4	4	4	4	4	4	3	3
Temperature management system	PerfecTemp Plus	PerfecTemp Plus	PerfecTemp Plus	PerfecTemp Plus	PerfecTemp Plus	PerfecTemp Plus	PerfecTemp		
SpotSpray	●	●	●	●	●	●	●		
Fabric softener dispenser	●	●	●	●	●	●	●	●	
Bleach dispenser	●	●	●	●	●	●	●	●	●
Agitator	GentlePower™	GentlePower	GentlePower	GentlePower	GentlePower	GentlePower	GentlePower	GentlePower	FlexCare™
End-of-cycle signal	Deluxe	Variable	Variable	Variable	●	●			
Add bleach signal		●	●	●					
Number of wash cycles	Multiple	Multiple	Multiple	Multiple	Multiple	Multiple	27	16	8
Cycle Countdown	LED	LED	LED	LED	LED	LED			
Cycles									
Whites	●	●	●	●	●	●			
Colors	●	●	●	●	●	●			
Dark Colors	●	●	●	●	●	●			
Easy Care	●	●	●	●	●	●			
Handwash	●	Ultra	Ultra	Deluxe	Pulsed	Pulsed			
Specialty Cycles					Casuals – Pulsed	Casuals – Pulsed			
Optional Stain Wash	●	●	●						
Soil Levels									
Extra Heavy Soil	●	●	●	●	●	●			
Heavy Soil	●	●	●	●	●	●			
Medium Soil	●	●	●	●	●	●			
Light Soil	●	●	●	●	●	●			
Extra Light					●	●			
Cottons Regular									Whites
Extra Heavy Soil							●	●	●
Heavy Soil							●	●	●
Medium Soil							●	●	●
Light Soil							●	●	●
Extra Light							●	●	●
Auto Soak (15 Min.)							●	●	
Auto Soak (30 Min.)							●	●	
Easy Care									
Extra Heavy Soil							●	●	
Heavy Soil							●	●	
Medium Soil							●	●	
Light Soil							●	●	
Auto Soak (15 Min.)							●	●	
Casuals – Pulsed									
Heavy Soil							●		●
Medium Soil							●		●
Light Soil							●		●
Delicate									
Medium Soil							●	●	
Light Soil							●	●	
Handwash – Pulsed									
Medium Soil							●		
Presoak	●	●	●	●	●	●			
Quick Rinse (Prewash)	●	●	●	●	●	●	●	●	
Spin Only	●	●	●	●	●	●	●	●	
2nd Rinse	●	●	●	●	●	●	●	●	
Extended Spin	●	●	●	●	●	●	●	●	
Rinse and Spin									●
Delay Start	●	●	●						
Color lid instructions	●	●	●	●	●	●	●	●	
Color stain guide	●	●	●	●	●	●			
Washer basket type	PermaTuf II™	ExtrAction Tub™	ExtrAction Tub	ExtrAction Tub	ExtrAction Tub	ExtrAction Tub	PermaTuf II	PermaTuf II	PermaTuf II
Quiet									
Quiet insulation package	Hush Quiet Plus	Hush Quiet Plus	Hush Quiet Plus	Deluxe Quiet Plus	Deluxe Quiet	Deluxe Quiet	Deluxe Quiet	Quiet-By-Design™	Quiet-By-Design
Appearance									
Colors available*	WW	WW, CC	WW, CC, WC	WW, CC	WW, CC	WW, CC	WW	WW, CC	WW, CC
Weights									
Approx. shipping weight (lbs.)	160	160	160	160	160	160	160	160	160

*WW = White on white, CC = Bisque on bisque, WC = Brushed Aluminum. WC available on WHSB9000B only.

Washer Dimensions (in inches)



Washer Specifications

Circuit Requirements:
An individual, properly grounded branch circuit, with a three-prong grounding-type receptacle, protected by a 15 or 20 amp circuit breaker or time-delay fuse is required.

Electrical Rating:
115V, 60Hz, 10A

Washer Note:
Washer wall outlet must be located within 36" of service cord entry. Wall outlet must not be located behind dryer.

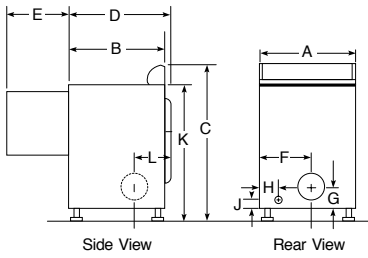
See page 164 for warranty information.

Dryers

Electric Gas	GE Profile				GE		
	DPSE592EA DPSE592GA	DPSB519EB DPSB519GB	DPXB515EB DPXB515GB	DPSB513EB DPSB513GB	DWXR483EB DWXR483GB	DBXR463EB DBXR463GB	DBL333EB DBL333GB
Capacity							
Capacity cu. ft.	Super 7.0	Super 7.0	Extra-Large 6.0	Super 7.0	Extra-Large 6.0	Extra-Large 6.0	Extra-Large 5.7
Features							
Controls	One-Touch Electronic	One-Touch Electronic	One-Touch Electronic	One-Touch Electronic	Rotary-Mechanical	Rotary-Mechanical	Rotary-Mechanical
Custom cycles	2	2	1				
Adaptive Logic	●	●	●	●			
Speed Dry	●	●	●				
Antibacterial cycle	●	●					
Cycle status lights	●	●	●	●			
Heat management system	Sensor Dry Plus	Sensor Dry Plus	Sensor Dry Plus	Sensor Dry Plus	Auto Dry	Auto Dry	Auto Dry
Heat selections	5	5	5	5	4	4	3
End-of-cycle signal	●	Variable	Variable	●	Variable		
Damp dry signal		●					
Number of dry cycles	Multiple	Multiple	Multiple	Multiple	8	6	3
Cycle Countdown	LED	LED	LED	LED			
Cycles							
Cottons	●	●	●	●			
Mixed Loads	●	●	●	●			
Easy Care	●	●	●	●			
Knits/Sweaters	●	●	●	●			
Delicates w/Extra Low temp	●	●	●	●			
Optional Dryness Levels							
More Dry	●	●	●	●			
Dry	●	●	●	●			
Less Dry	●	●	●	●			
Sensor Damp Dry	●	●	●	●			
Options							
Wrinkle Care	Extended Tumble	Extended Tumble	Extended Tumble	Extended Tumble	On/Off		
Dryer [®] Cycle	●	●					
Antibacterial	●	●					
Dewrinkle	●	●	●	●			
AirDry	●	●	●	●			
Add Time	●	●	●	●			
Warm Up		●					
Cottons							
Auto Cottons cycle					●	●	●
Optional Wrinkle Care					●		
Easy Care							
Auto Easy Care					●	●	●
Optional Wrinkle Care					●		
Timed Dry							
Actual minutes on timer	●	●	●	●	80 Minutes	80 Minutes	80 Minutes
Damp Dry					●	●	
Dewrinkle					●	●	
Quick Fluff (no Heat)					●	●	
Delay Start		●					
Deluxe dryer rack	●	●	●	●			
Dryer interior light	●	●	●	●	●	●	
Interior finish	DuraDrum™	DuraDrum	DuraDrum	DuraDrum	DuraDrum	DuraDrum	Painted
Clean lint filter reminder	●	●	●	●			
Quiet							
Quiet insulation package	Hush Quiet Plus	Hush Quiet Plus	Hush Quiet	Deluxe Quiet	Quiet-By-Design™	Quiet-By-Design	Quiet-By-Design
QuietDrum	●	●	●				
Appearance							
Colors available*	WW	WW, CC, WC	WW, CC	WW, CC	WW, CC	WW, CC	WW, CC
Weights							
Approx. ship. wt. (Elec.)	130	130	130	130	112	112	125
Approx. ship. wt. (Gas)	125	125	125	125	115	115	130

*WW = White on white, CC = Bisque on bisque, WC = Brushed Aluminum, WC only available on DPSB519EB/GB.

Dryer Dimensions (in inches)



	Extra-Large 5.7 Capacity	Extra-Large 6.0 Capacity	Super Capacity
A	27	27	27
B	25-1/2*	25-1/2*	25-1/2*
C	42	42	42
D	25-3/4	25-3/4	28-1/4
E	23-1/2	23-1/2	23-1/2
F	11-3/4	11-1/2	11-1/2
G	5-1/2	3-1/2	3-1/2
H	2	2	2
J	2-1/2	2-1/2	2-1/2
K	36	36	36
L	4-3/4	5-1/4	8-1/2

*24-1/2" from the edge of the side panel to the front. 25-1/2" from front to edge of end caps.

Special Installation Requirements

Alcove or Closet Installation

- If your dryer is approved for installation in an alcove or closet, it will be stated on a label on the dryer back.
- The dryer **MUST** be exhausted to the outdoors. See installation instructions.
- Minimum clearances between dryer cabinet and adjacent walls or other surfaces are:
0" either side
3" front and rear
- Minimum vertical space from floor to overhead cabinets, ceilings, etc. is 52".
- Closet doors must be louvered or otherwise ventilated and must contain a minimum of 60 sq. in. of open area equally distributed. If this closet contains both a washer and a dryer, doors must contain a minimum of 120 sq. in. of open area equally distributed.
- The closet should be vented to the outdoors to prevent gas pocketing in case of a gas leak in the supply line.
- No other fuel-burning appliance shall be installed in the same closet with the dryer.

Bathroom or Bedroom Installation

- The dryer **MUST** be exhausted to the outdoors. See installation instructions.
- The installation must conform with the local codes, or in the absence of local codes, with the National Fuel Gas Code, ANSI Z223.

Minimum Clearances other than Alcove or Closet Installations

- Minimum clearances to combustible surfaces:
0" both sides
3" rear

For more information on venting kits and accessories, please call 1-800-GE-CARES.

Dryer Specifications

Exhaust options:

Electric: 4-way via rear, right, left and bottom.

Gas: 3-way via rear, left and bottom. Dryer is shipped exhausted to the rear. Alternate exhausting knockouts are supplied.

Circuit Requirements:

Electric: An individual, properly grounded branch circuit, protected by a 30 amp circuit breaker or a time-delay fuse is required.

Electric Dryer Rating:

208/240V, 5600W, 24A, 60 Hz
208V, 4400W, 22A, 60 Hz

Gas: An individual, properly grounded branch circuit, with a three-prong grounding-type receptacle, protected by a 15 or 20 amp circuit breaker or a time-delay fuse is required.

Gas Dryer Electric Rating:

120V, 60Hz, 6A

Gas (BTU/HR): 22,000. Factory-equipped for natural gas. Tested for LP gas. LP gas supply requires an optional conversion kit, 5.7 cu. ft. model kit is WE25X10003, 6.0 and 7.0 cu. ft. model kit is WE25X0217. Have a qualified gas technician install a conversion kit. See dryer ducting information for proper installation.

Note: Dryer wall outlet must be located within 36" of service cord entry and accessible when dryer is mounted in position.

Dryer Exhausting Information

For complete information see installation instructions packed with dryer.

Important Note: GE Kit Number 14-A018 needed when converting rear exhaust to bottom or side. (On 5.7 extra-large capacity models only.)

Ducting Materials

For best performance, this dryer should be vented with 4" diameter all rigid metal exhaust duct. If "all rigid metal" duct cannot be used, then "flexible all metal" venting can be used, but it will reduce the maximum recommended duct length.

The following kit or parts are available from your local service organization.

Kit WX8X75—7' aluminum duct and 4' hood, short tail.

(OR individual parts):

WX8X65 7' aluminum flex duct only

WX8X58 4' clamps (2)

WX8X67 4' exhaust hood

See installation instructions for complete information.

Exhaust length calculation:

1. Determine the number of 90° turns needed for your installation. If you exhaust to the side or bottom of dryer, add one turn.
2. The maximum length of 4" rigid (aluminum or galvanized) duct which can be tolerated is shown in the table.

The maximum lengths for flexible ducts are less than for rigid duct.

See table in installation instructions. A turn of 45° or less may be ignored.

Two 45° turns within the duct length should be treated as a 90° elbow.

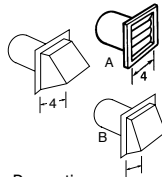
A turn over 45° should be treated as a 90° elbow.

Exhausting the dryer to the outside is strongly recommended to prevent large amounts of moisture and lint from being blown into the room. Gas dryers or any dryer located in a closet **must** be exhausted to the outside.

Caution: For personal safety do not terminate exhaust into a chimney, under any enclosed house floor (crawl space), or into an attic, since the accumulated lint could create a fire hazard or moisture could cause damage. Never terminate the exhaust into a common duct or plenum with a kitchen exhaust, since the combination of lint and grease could create a fire hazard.

Exhaust ducts should be terminated in a dampered wall cap to prevent back drafts, bird nesting, etc. The wall cap must also be located at least 12" above the ground or any other obstruction with the opening pointed down. Other terminations, such as louvered wall boxes, are acceptable provided they are equivalent to a 4" opening dampered wall cap.

Dryer Exhausting Information—Use Metal Duct Only
Vertical and Horizontal Ducting



	Number of 90° Turns	Best Performance			
		Maximum Length of 4" Dia. Rigid Metal Duct		Maximum Length of 4" Dia. Flexible Metal Duct	
		Exhaust Hood Type		Exhaust Hood Type	
		A	B	A	B
		4" Opening	2-1/2" Opening	4" Opening	2-1/2" Opening
Domestic Dryer Models	0	90 ft.	60 ft.	55 ft.	45 ft.
	1	60 ft.	45 ft.	40 ft.	30 ft.
Super & Extra-Large 6.0 Capacity Models	2	45 ft.	35 ft.	30 ft.	20 ft.
All Electric Dryers	3	35 ft.	25 ft.	20 ft.	15 ft.
	4	25 ft.	15 ft.	15 ft.	10 ft.
Super & Extra-Large 6.0 Capacity Models	0	45 ft.	30 ft.	30 ft.	15 ft.
All Gas Dryers	1	35 ft.	20 ft.	20 ft.	10 ft.
	2	25 ft.	10 ft.	10 ft.	—
	3	15 ft.	—	—	—
Extra-Large 5.7 Capacity Electric and Gas Dryers	0	60 ft.	48 ft.	30 ft.	18 ft.
	1	52 ft.	40 ft.	22 ft.	14 ft.
	2	44 ft.	32 ft.	14 ft.	10 ft.
	3	32 ft.	24 ft.	—	—
	4	28 ft.	16 ft.	—	—
Spacemaker® Models	0	46 ft.	37 ft.	30 ft.	24 ft.
DSKS433EA	1	38 ft.	30 ft.	25 ft.	20 ft.
WSM2780W	2	31 ft.	22 ft.	20 ft.	14 ft.
	3	24 ft.	15 ft.	16 ft.	10 ft.
Spacemaker® Model	0	43 ft.	36 ft.	30 ft.	24 ft.
DSKP233EW	1	33 ft.	26 ft.	24 ft.	18 ft.
	3	23 ft.	16 ft.	16 ft.	10 ft.
Spacemaker® Model	0	56 ft.	42 ft.	30 ft.	22 ft.
WSM2700W	1	46 ft.	36 ft.	22 ft.	14 ft.
	2	34 ft.	28 ft.	16 ft.	10 ft.
	3	32 ft.	18 ft.	10 ft.	5 ft.
Spacemaker® Models	0	43 ft.	36 ft.	30 ft.	24 ft.
WSM2420T	1	33 ft.	26 ft.	24 ft.	18 ft.
WSM2480T	2	23 ft.	16 ft.	16 ft.	10 ft.



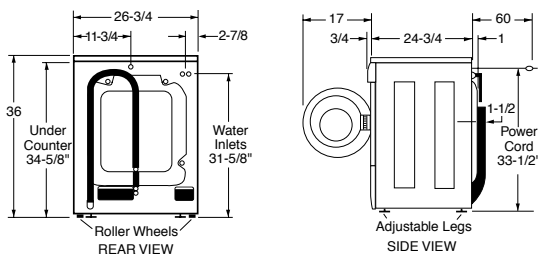
Listed by Underwriters Laboratories

Front-Loading Washer

	GE Profile™	GE
	WPXH214A	WSXH208A
Capacity		
Capacity	Extra-Large	Extra-Large
Cubic Feet	2.7/3.1 IEC	2.7/3.1 IEC
Features		
Wash/rinse temperatures	7	4
Water levels	Auto. Adjustment	Auto. Adjustment
Standard Rinse Cycles	4	3
Motor Speeds	Variable	Variable
ColorLogic™ 2000	●	●
Combinations*	HC, WW, WC, CC	HC, WW, WC, CC
Detergent dispenser (liquid/powder)	●	●
Bleach dispenser	●	●
Fabric softener dispenser	●	●
End-of-cycle signal	Fixed	Adjustable
Final Spin/Speed selections	4	Automatic
Number of wash cycles	14	8
Cotton		
Heavy Soil	●	●
Medium Soil	●	●
Light Soil	●	●
Easy Care		
Medium Soil/Perm. Press	●	●
Light Soil/Wrinkle Free	●	●
Delicates/Ultra Care	●	●
Pre-Wash	●	●
Quick Wash	●	●
Extra-Rinse Cycle/Auto Option	3	2
Max. Spin speed	950	850
AutoTemp	●	●
Noise package	Deluxe	Standard
Energy star	●	●
Leveling legs	●	●
Rear rollers	●	●
Stainless steel wash drum	●	●
Appearance		
Colors available	White on white, Bisque on bisque	White on white
Weights & Dimensions		
Approx. shipping wt. (lbs.)	217	217
Flexible installation	Undercounter, stacked, side-by-side	

*HC = Hot-Cold, WW = Warm-Warm, WC = Warm-Cold, CC = Cold-Cold.

Washer Dimensions (in inches)



Washer Specifications

Circuit Requirements: An individual, properly-grounded branch circuit, with a three-prong grounding-type receptacle, protected by a 15 or 20 amp circuit breaker or time-delay fuse is required.

Electrical Requirements: 120V, 60 Hertz, 12.0 Amps

See Pub. No. 31-2819 for installation information.

Special Installation Requirements

Undercounter Installation

- Accessory mounting kits are required for undercounter installation. To order, call 1-800-848-7722. Washer—Order Pub. No. 14-A037. Dryer—Order Pub. No. 14-A008

Stacked Installation

- Brackets for stacking dryer over washer are included with the dryer.

Alcove or Closet Installation

- If your dryer is approved for installation in an alcove or closet, it will be stated on a label on the dryer back.
- The dryer MUST be exhausted to the outdoors. See EXHAUST INFORMATION on previous page.

- Minimum clearances between dryer cabinet and adjacent walls or other surfaces are:
 - 0" either side
 - 3" front and rear
- Minimum vertical space from floor to overhead cabinets, ceilings, etc. is 52".
- Closet doors must be louvered or otherwise ventilated and must contain a minimum of 60 sq. in. of open area equally distributed. If this closet contains both a washer and a dryer, doors must contain a minimum of 120 sq. in. of open area equally distributed.
- The closet should be vented to the outdoors to prevent gas pocketing in case of a gas leak in the supply line.
- No other fuel-burning appliance shall be installed in the same closet with the dryer.

Bathroom or Bedroom Installation

- The dryer MUST be exhausted to the outdoors. See EXHAUST INFORMATION on previous page.
- The installation must conform with the local codes, or in the absence of local codes, with the National Fuel Gas Code, ANSI Z223.

Minimum Clearances other than Alcove or Closet Installations

- Minimum clearances to combustible surfaces:
 - 0" both sides
 - 3" rear

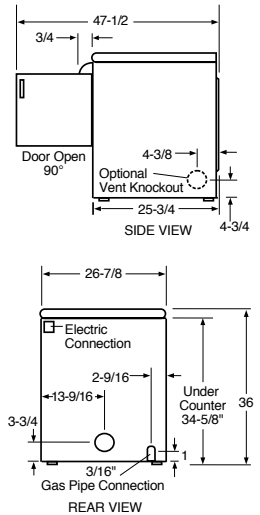
For more information on venting kits and accessories, please call 1-800-GE-CARES.

See pages 164 for warranty information.

Front-Loading Matching Dryer

	GE Profile™	GE
	DPXH46EA/GA	DSXH43EA/GA
Capacity		
Capacity	Extra-Large	Extra-Large
Cubic Feet	5.7	5.7
Features		
Tumble Drying	●	●
Time Dry Cycles	1	1
Auto Dry Cycles	3	2
Sensor Dry	●	●
ColorLogic™ 2000	●	●
Temperature Options	4	4
Regular/Cottons	●	●
Medium/Perm. Press	●	●
Low/Delicates	●	●
Air Fluff/No Heat (Cool Down)	●	●
Wrinkle Care cycle	2	
Moisture sensor	●	●
Drying rack	●	●
Auto Dry Cycles		
Cottons	●	●
Easy Care	●	●
Knits/Delicate	●	●
Cool Down	●	●
Quick Clean Lint Screen	●	●
End-of-Cycle Signal	Fixed	Adjustable
Drum Light	●	●
Reverse-A-Door	●	●
Dura Finish Top and Drum	●	●
Spill-Saver Top	●	●
Poly Tumbling Vanes	●	●
Leveling Legs	●	●
100% Front Serviceable	●	●
Exhaust Options (Electric/Gas)	4/3	4/3
Heavy-Duty Suspension System	●	●
Appearance		
Colors available	White on white, Bisque on bisque	White on white
Weights & Dimensions		
Approx. Shipping Weight (Elec/Gas)	116	116
Flexible installation	Undercounter, stacked, side-by-side	
LP conversion kit	WE25X10003	WE25X10003

Dryer Dimensions (in inches)



Dryer Exhausting Information—

Use Metal Duct Only

	Number of 90° Turns	Best Performance	
		A	B
Front Loading Dryers		Maximum Length of 4" Dia. Rigid Metal Duct	
		Exhaust Hood Type	
		4" Opening	2-1/2" Opening
		0	60 ft.
	1	52 ft.	40 ft.
	2	44 ft.	32 ft.
	3	32 ft.	24 ft.
	4	28 ft.	16 ft.

Front Loading Dryers

Front Loading Dryers

Dryer Specifications

Exhaust options:

- Electric:** 4-way via rear, right, left and bottom.
- Gas:** 3-way via rear, right and bottom. Dryer is shipped exhausted to the rear.
- Exhaust Elbow Kit: Order Pub. No. 14-A018.

Electrical Requirements:

- 208/240V, 3 Wire, 5600W, 24A, 60 Hz
- 208V, 3 wire, 4400W, 22A, 60 Hz

Gas Requirements: 120V, 60 Hz, 6 A

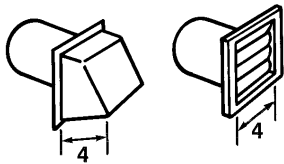
See Pub. No. 49-9963-2 for installation information.

General Information for Dryer Exhausting

Minimizing the length of ductwork and the number of turns in an exhaust system minimizes the potential for lint to settle and accumulate in the exhaust duct and in the interior cabinet of the dryer. Refer to your specific dryer installation instructions for recommended duct length.

1. Wall Caps And Other Terminations

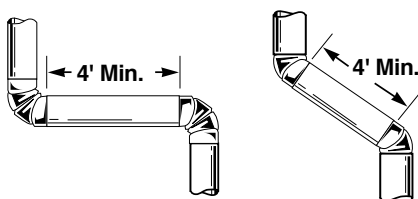
All exhaust systems must be terminated in a manner that will prevent backdrafts from outside as well as prevent birds or other wildlife from building nests or taking refuge in the ductwork. The wall cap should present minimal resistance to the flow of exhaust air and should require little maintenance to prevent clogging. **The preferred termination is either a dampered wall cap with a 4" wide opening or a movable louvered wall cap.** A 2-1/2" wall cap restricts airflow and increases drying time. It must be installed with the opening down, and installed at a minimum of 12" above ground level or any other obstruction. Special consideration should be given in areas where heavy snow drifts are likely to occur to ensure the wall cap does not become obstructed. Other types of terminations, such as roof vents or louvered plenum chambers, are acceptable providing **they are equivalent to the 4" dampered wall cap.** They must contain at least 14 square inches of ventilation area and afford adequate protection against backdrafts.



Exhaust ducts must not contain screens or other filtering devices which may become clogged with lint. The dryer exhaust must not terminate in an ordinary chimney, under an enclosed house floor or crawl space, or into an attic, since any accumulated lint could create a fire hazard and the moisture could cause damage. **Never terminate the exhaust into a common duct or plenum with a kitchen hood exhaust since the combination of grease and lint could create a fire hazard.**

2. Separation Of Turns In The Ductwork

All turns in the exhaust system, external to the dryer itself, including the distance from the last turn to the dampered wall cap, should be separated by at least 4' of straight metal duct. This will reduce the added resistance which results from rapid changes in airflow direction inside the ducting. If two turns must be closer than 4', deduct 10' from the maximum lengths shown in the chart on page 235.



3. Treatment Of Turns Other Than 90°

One turn of 45° or less may be ignored. Two such turns should be treated as one 90°. Each turn over 45° should be treated as one 90°. Refer to specific dryer installation for maximum duct lengths and for allowable number of 90° bends. In determining the number of turns for an exhaust system, one 90° turn must be added for the bend made inside the cabinet whenever the dryer is exhausted through the right, left or bottom. NOTE: Some dryers are limited to only rear exhausting. Consult the installation instruction for the type of dryer being used.

4. Use Of Flexible Metal Ducting

We recommend the use of 4" diameter rigid metal ducting for permanent and transition venting. Permanent venting is from the wall, floor or ceiling to the outside. Transition venting is from the dryer to the wall, floor or ceiling. If all rigid ducting cannot be used then flexible all metal ducting may be used, if the following precautions are adhered to:

- Use only 4" diameter all metal ducting.
- Never use foil or other ducting that can be easily punctured with a screwdriver or nail.
- It must not be allowed to collapse, kink or sag when the dryer is in its final installed position. Required turns in the exhaust system should be made with rigid elbows.
- Use the shortest duct length possible. Don't exceed the maximum allowable duct length specified in the installation instructions.
- Stretch the duct to its maximum length.
- To reduce the risk of fire, **NEVER USE PLASTIC OR OTHER COMBUSTIBLE DUCTWORK.**

NOTE: In special installations where it is impossible to use all metal rigid or all metal flexible duct for transition venting, UL Listed clothes dryer transition duct may be used. The following additional precautions should be followed if this type of ducting is used.

- Never use transition duct beyond the wall, ceiling or floor inside the dryer.
- Avoid resting the duct on sharp objects.

Please refer to the installation instructions for additional exhaust information.

5. Sealing Of Joints

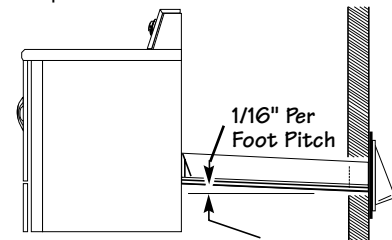
All duct joints should avoid leaks. Duct joints should be made air and moisture tight by wrapping the overlapped joints with duct tape. The male ends of each section of duct should point away from the dryer.

Do not assemble the ductwork with screws or other fasteners that extend into the duct. They will serve as a collection point for lint.

6. Water Condensation

Condensation in a dryer exhaust system is caused by the moisture in the exhausted air contacting the cold inner surfaces of the ductwork. Condensation, which forms at the beginning of the drying cycle, will dissipate quickly after the ductwork becomes heated. If the ductwork passes through an area which keeps it cool throughout the drying cycle, considerable condensation within the duct can be expected. This can result in rapid accumulation of lint in the ductwork.

Ductwork which runs through an unheated area or is situated adjacent to an air conditioning duct should be insulated to avoid such condensation problems. Joints should be tight to avoid leaks and, where feasible, the duct should be dropped 1/16" per foot toward the termination.



7. Accessibility For Cleaning

Since it may be necessary from time to time to remove lint from the inside of the ductwork, it is important that the exhaust system be installed with a provision for periodic inspection and cleaning. Some provision should be made for access to turns and straight runs of duct installed in an enclosed area, such as above plastered ceilings. Special consideration should be given to the amount of maintenance required for roof caps on vertical installations, since the user cannot be expected to make frequent inspections or cleanings.

8. In Line Exhaust (Booster) Fans

Use of In Line exhaust (booster) fan for single unit installation is not recommended:

- Operator may forget to turn it on.
- It may block.
- It may fail without Operator noticing it.

Single Family-Type Dwellings

For more detailed information, refer to the installation instructions for the specific dryer model selected.

Mobile or Manufactured Home Installation

Gas Dryer installation must conform with local Gas Codes and with CGA B149.1 or B149.2 (Installation code for Gas Burning Appliances and Equipments).

All Dryer Installations must conform to Manufactured Home Construction and Safety Standard, Title 24 CFR, Part 32-80. The dryer **MUST** be exhausted to the outdoors with the termination securely fastened to the mobile home structure. The exhaust **MUST NOT** be directed underneath the mobile home.

Multi-Unit Dryer Installation

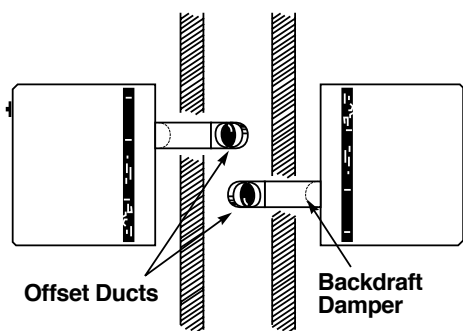
Multi-Unit Systems

Accurate installation of a good dryer exhaust system in multi-family construction is especially important. The restrictions applied by this type of construction should cause the planner to be more concerned than in single-family construction.

When the length of the exhaust duct or the number of turns in the system exceed the maximum limitations recommended by the dryer manufacturer, the planner must seek an alternate solution. One option is to install a common ducting system that is capable of handling the discharge of several dryers at various points along the system.

The scope of the subject is far too broad to be extensively described within this publication. Sufficient information is presented, however, to make the planner aware of the importance of special attention to the subject. Two types of common ducts are generally used: (1) the common dryer exhaust stack with an auxiliary roof fan and (2) the chimney exhaust.

Stack and chimney designs and exhaust fans must meet all local code requirements. It is suggested that professional engineering counsel should be sought in these matters. Dryers should be installed as close to the common duct as possible. Dryer discharges must be offset to prevent one unit from exhausting directly into another. See Illustration No. 1.



Plan View
Illustration 1

Common Fan Assisted Dryer Exhaust Stack (Auxiliary Roof Fan Systems)

The stack outlet (See Illustration No. 2) must be fitted to a continuous duty exhaust fan rated to handle the stack air volume for the total number of dryers on the system. Periodic cleaning of the exhaust fan is necessary to maintain efficient operation.

The bottom of the stack should contain a barometric damper to prevent drawing air through the dryers not in use, and a lint cleanout access door. The damper should be adjusted to just open with all dryers on and the continuous duty exhaust fan operating.

The weighted damper in the individual dryer ducts should be adjusted so that it will just close with all dryers off and the continuous duty exhaust fan operating. The fan should be running at all times. The duct system from each individual dryer must meet the turn and length requirements as noted on page 235.

The required stack diameter for air volumes of 200 CFM to 3,000 CFM can be determined from Illustration No. 4 and calculations on the following page.

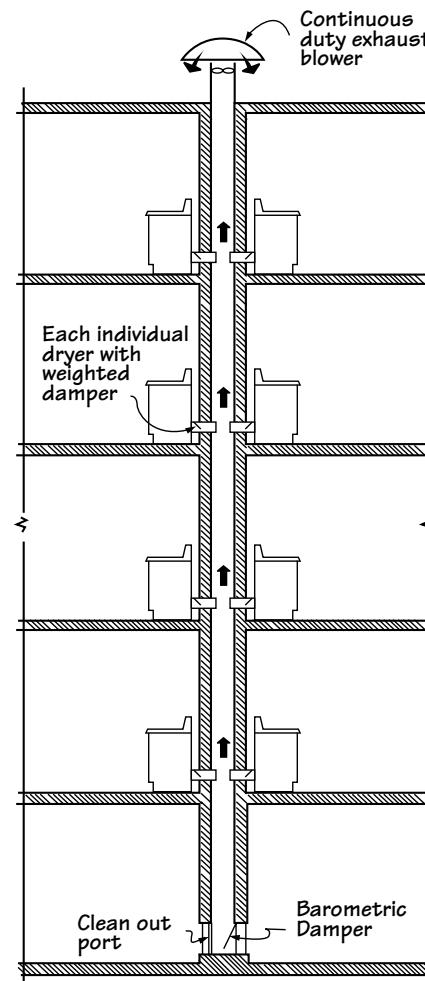


Illustration 2

Chimney Exhaust System

The chimney must be fire resistant and large enough to accommodate the volume of air exhausting from the dryers. Consideration must be made for lint buildup, excessive chimney pressures, backdrafts and other technical factors which will influence the performance and the safety of the system. A lint clean-out access door should be included at the bottom of the chimney. Each dryer duct must have a 4" diameter backdraft damper, adjusted so that it will just close with the dryer inoperative. This will prevent the exhaust and lint of one dryer from going into another dryer and its room. The duct system for each individual dryer must meet the turn and length requirements as noted on page 233.

Use the specs for a 2-1/2" exhaust hood for proper dryer performance. Include the 90° elbow and all ducting in the chimney in your calculations. The 22" (minimum) of vertical ducting in the chimney reduces back pressure and is required for proper dryer performance. See Illustration No. 3.

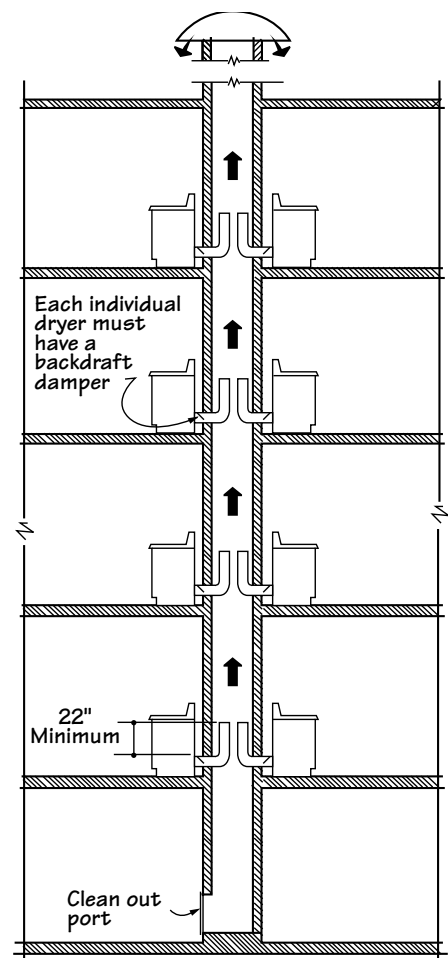


Illustration 3

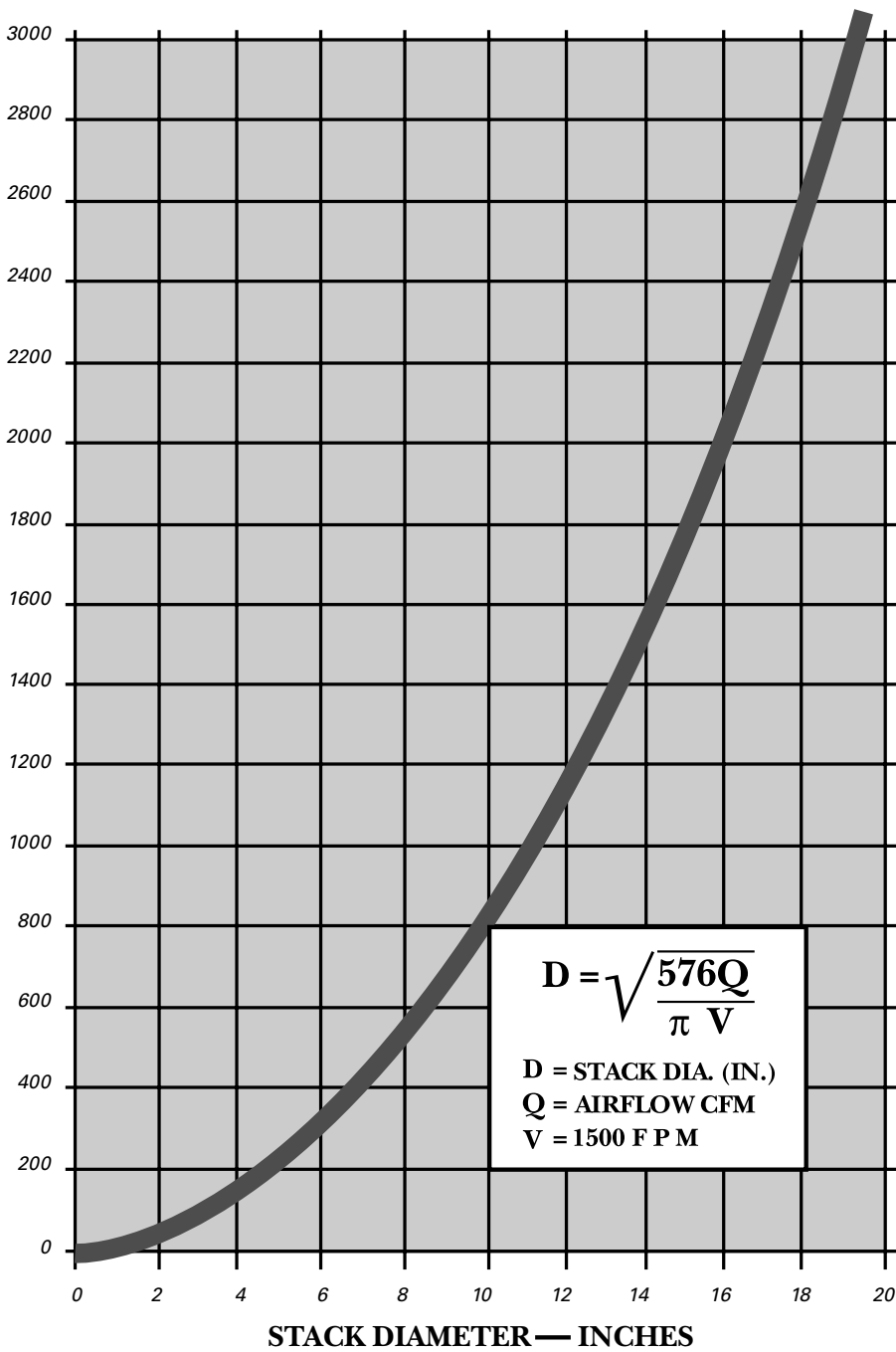


Illustration 4

How To Use Illustration No. 4

Airflow value: 150 CFM.

Assume installation contains eight (8) dryers operating at the same time. Stack air volume (Q) = 150 x 8 = 1200 CFM (Q) is air volume that stack must be capable of handling in the event all dryers are running at one time. Therefore, the stack diameter must be:

$$D = \sqrt{\frac{576Q}{\pi V}} = \sqrt{\frac{576 \times 1200}{\pi \times 1500}} = \sqrt{147} \approx 12 \text{ inches}$$

or read directly from Illustration No. 4 by placing 1200 on the vertical scale and reading 12 on the horizontal scale. The stack diameter should be 12 inches to handle the required volume of air and the continuous duty exhaust blower should be rated to handle this volume while maintaining an air velocity of 1500 Ft./Minute.

Spacemaker® Portable/Stationary Models

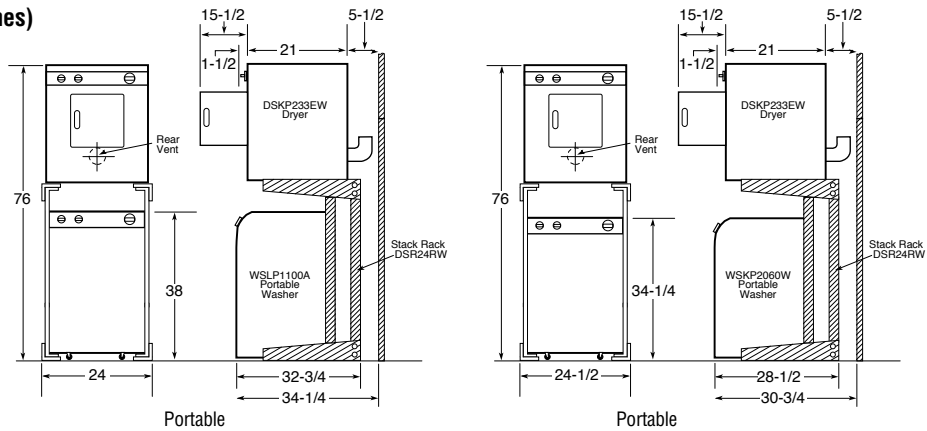
Individual Spacemaker® Washers	GE			
	Stationary WSL1100A	Portable WSLP1100A	Stationary WSKS2060W	Portable WSKP2060W
Capacity				
Capacity	Extra-Large	Extra-Large	Compact	Compact
Features				
Wash/spin speed combinations	1	1	2	2
Wash/rinse temperatures	4	4	3	3
Water levels	4	4	4	4
Number of cycles	10	10	6	6
Cycle countdown	Digital	Digital		
Regular				
Heavy Soil	●	●	●	●
Medium Soil	●	●	●	●
Perm. Press				
Medium Soil	●	●	●	●
Light Soil	●	●	●	●
Delicates	●	●	●	●
Spin only	●	●	●	●
One touch load sensing	●	●		
Automatic cool down	●	●		
Bleach dispenser	●	●	●	●
Fabric softener dispenser	●	●		
Automatic detergent dispenser	●	●		
Lint filter	2 Removable	2 Removable	●	●
Quiet pump	●	●	●	●
Easy-roll rollers		●		●
Unicouple connector		●		●
Basket material	Stainless Steel	Stainless Steel	PermaTuf II™	PermaTuf II
Appearance				
Colors available*	WW	WW, WH	White with granite-look top	White with granite-look top
Weights & Dimensions				
Circuit requirements	120V, 60 Hertz, 15 or 20 Amps			
Dimensions (HxWxD in inches)**	37-1/2† x 23-5/8 x 26	38 x 23-5/8 x 26	34-1/4 x 22-1/4 x 24	34 x 22-1/4 x 24
Approx. shipping wt. (lbs.)	114	116	109	109

*Colors available: WW = White on white, WH = White with black controls.
 **Depth measured from front of control knob.
 †With leveling legs extended.

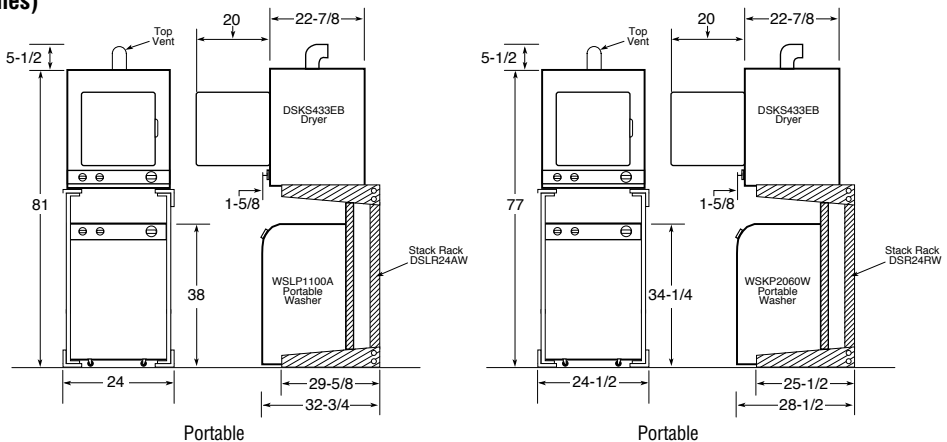
Individual Spacemaker® Dryers	GE	
	DSKS433EB	DSKP233EW*
Capacity		
Capacity	Compact	Compact
Features		
Dry control	Automatic	Automatic
Heat selections	4	2 (timer)
Number of dry cycles	3	3
Auto. Reg.—Perm. Press		●
Auto. Perm. Press & Delicate	●	
Auto. Reg.	●	
Timed Regular (min.)	140	105
Air Fluff (min.)	(Heat Selection)	10
Separate start switch	●	●
Control location	Mid-Band	Top
End-of-cycle signal		●
Lint filter	Upfront	Back of Drum
Appearance		
Colors available**	WW	WH
Weight & Dimensions		
Exhaust options***	4-Way	Rear
	240/208V†, 60 Hertz, 30 Amp	120V, 60 Hertz, 30 Amp
Circuit requirements	No Cord	6 feet
Power cord	33-1/4 x 23-7/8 x 24-1/2	32 x 23-7/8 x 23-5/8
Dimensions (HxWxD in inches)		
Wall-mount kit (available at additional cost)	WMK-35	
Approx. shipping wt. (lbs.)	108	100

*Dryer comes equipped with casters and stationary leveling legs.
 DSKP233EW approved for DSR24RW only.
 **Colors available: WW = White on white, WH = White with black controls.
 ***DSKS433EB shipped exhausted through the top. DSKP233EW exhausted to rear only.
 †240/208 volt outlet: Rear-mounted outlet on DSKS433EB approved for use with Washer/Dryer Stack Rack DSR24RW or DSLR24AW.
Circuit Requirements: An individual, properly-grounded branch circuit of the proper voltage and frequency as specified on the rating plate, with no other appliances or fixtures in circuit, is required.

Rear Vent Installation Dimensions (in inches)



Top Vent Installation Dimensions (in inches)



Unitized GE Spacemaker® Washers and Dryers

	GE			
	Electric		Gas	
Washer	WSM2700W	WSM2420T	WSM2780W	WSM2480T
Capacity				
Capacity	X-Large	X-Large	Compact	Compact
Features				
Wash/spin speed combinations	1		2	
Wash/rinse temperatures	3		3	
Water levels	3		3	
Number of wash cycles	3		3	
Regular	●		●	
Perm. Press	●		●	
Delicates	●		●	
Unbalanced load control	●		●	
Lint filter	●		●	

Dryer

Features				
Automatic dry control		●		●
Number of dry cycles		4		4
Auto Regular		●		●
Auto Perm Press				●
Delicates		●		●
Timed		●		●
Air Fluff		●		●
Control location		Mid-Band		Mid-Band
Exhaust options		Rear		Rear/Sides

Appearance

Colors available*	WW, CC WW	WW, CC WW

Weight & Dimensions

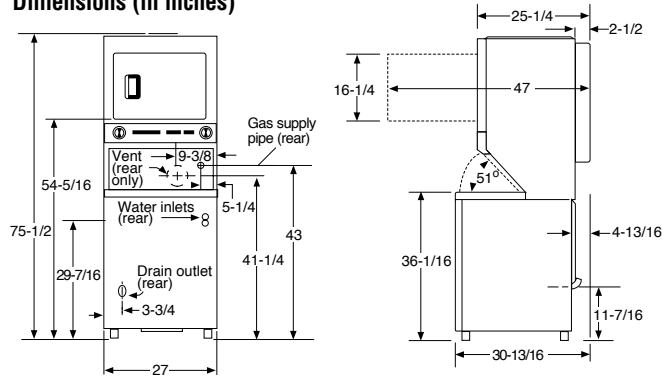
Dimensions (HxWxD in inches)	75-1/2 x 27 x 30-13/16**	71-3/4 x 23-7/8 x 27-1/4**
Approx. shipping wt. (lbs.)	300	238

*WW = White on white, CC = Bisque on bisque

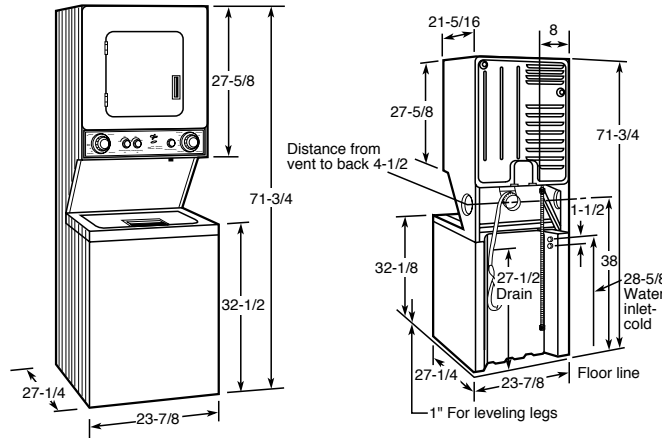
**Depth dimension assumes water hook-up is recessed in the wall.

Note: The third prong on the WSM2780W plug configuration is a flat spade type rather than a typical round probe. It requires a matching wall outlet.

Models WSM2700W and WSM2780W Dimensions (in inches)



Models WSM2420T and WSM2480T Dimensions (in inches)



Electrical Requirements for Unitized Spacemaker® Dryers

WSM2700W: Electric Dryer—This appliance should be connected to an individual, properly-grounded branch circuit with 120/240V or 120/208V single-phase 60 Hz electrical service and should be protected by 30-amp time-delay fuses or circuit breakers. This appliance is manufactured with neutral connected to the frame. Power cord should be purchased separately.

WSM2420T: Electric Dryer—This appliance should be connected to an individual, properly-grounded branch circuit with 120/240V single-phase 60Hz electrical service and should be protected by 30-amp time-delay fuses or circuit breakers. This appliance is manufactured with the neutral connected to the frame. Power cord should be purchased separately.

NOTE: THESE APPLIANCES ARE NOT APPROVED FOR 120-VOLT OPERATION.

WSM2480T: Gas Dryer—This appliance should be connected to an individual, properly-grounded branch circuit with a three-prong grounding-type receptacle and 120-volt single-phase 60 Hz electrical service and should be protected by 15 or 20-amp time-delay fuses or circuit breakers. This appliance is equipped with a 6-foot long flexible U.L. listed 20-amp power cord to match a 15-amp receptacle.

Gas Rated input 10,500 BTU/HR. Factory equipped for natural gas. Tested for LP gas.

WSM2780W: Gas Dryer—This appliance should be connected to an individual branch circuit with 120-volt single-phase 60 Hz electrical service and should be protected by 20-amp time-delay fuses or circuit breakers. This appliance is equipped with a 4-foot long flexible U.L. listed 20-amp power cord to match a 20-amp receptacle.

Gas Rated input 20,000 BTU/HR. Factory equipped for natural gas.

LP gas supply requires a conversion kit.

Kits: WSM2780W—WE25X206

WSM2480T—WE25X0219

Have a qualified gas technician install a conversion kit before use.

Exhaust Information

See "Dryer Exhausting Information" on page 235.

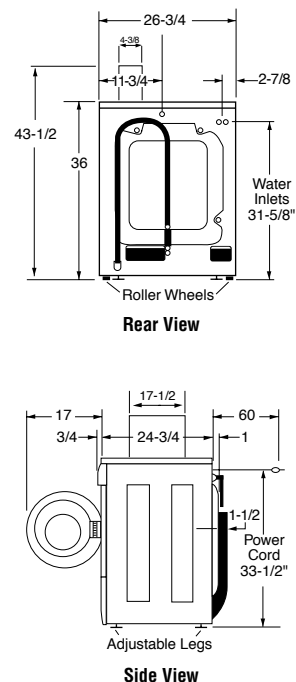
For complete information see installation instructions packed with the product.

Commercial Front-Loading Washer

	GE
	WCCH404VWW
Capacity	
Capacity (cu. ft.)	16 pound (2.7—3.1 per IPC)
Features	
Efficiency	Energy Star Rated
Wash/Rinse Temp.	3/1
Automatic Water Levels	●
Wash Program	Std. Wash + 3 rinses (26 min. excl. fill times)
Wash Options	
Color Cottons	●
Permanent Press	●
White Cottons	●
Delicates	●
Extraction	850rpm/210 G's
Automatic Dispensing Opt.	Detergent, Liquid Bleach, Fabric Softener
Suspension	Soft Mount
Drain Pump	13 gpm @ 36 in head
Leveling System	Front Leveling Legs/Rear Rollers
Wash Drum	Stainless Steel
Door Style	Glass
Appearance	
Colors available	White
Control panel	Brushed alum./black/burgundy
Weights & Dimensions	
Dimensions (HxWxD inches)	36 x 26-3/4 x 24-3/4 (without coin box)
Approx. shipping weight (lbs.)	217
Power Ratings	
Electrical Requirements	120v, 60hz, 12.0 amps

Note: Coin Box Requires assembly to washer, per enclosed Pub. No. 31-15484. Includes accumulator. Coin slides, drops, or smart card accessory must be ordered from supplier separately.

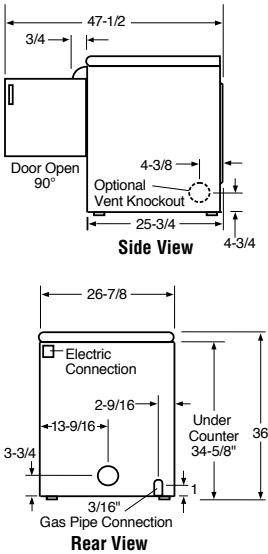
Dimensions (in inches)



Commercial Front-Loading Matching Dryer

		GE
		DCC43EA/GA
Capacity		
Cubic Feet		Extra-Large (5.7)
Features		
Heat selections		3
Dry cycles		3
High Heat		●
Medium Heat		●
Low Heat		●
Lockable lint filter		●
Door swing		Reversible
Drum finish		White DuraDrum™
Front serviceable		●
Appearance		
Colors available		White
Control panel		Brushed alum./ Black/Burgundy
Weights & Dimensions		
Approx. shipping weight (lbs.)	Electric	116
	Gas	116

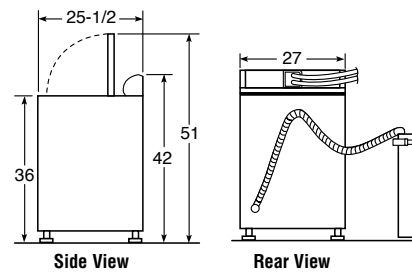
Dryer Dimensions (in inches)



Commercial Smart Card Washers and Dryers

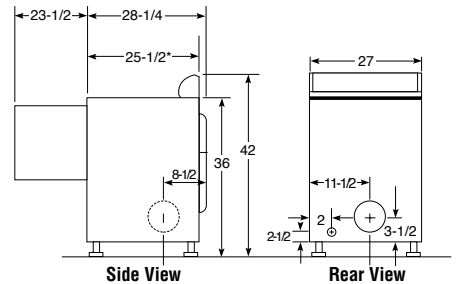
	GE Washers	
	WNCJ2050AWC	WNCK2050AWC
Capacity		
Capacity (cu. ft.)	Extra-Large (2.7)	Extra-Large (2.7)
Features		
Wash/spin speed comb.	3	3
Wash/rinse temperatures	3	3
Water levels	Adjustable	Adjustable
Digital cycle countdown	●	●
Number of wash cycles	5	5
White cottons	●	●
Colored cottons	●	●
Bright colors	●	●
Permanent Press	●	●
Delicate	●	●
Quiet package	●	●
Lid instructions	●	●
LED indicators	●	●
Smart Card Features		
Reader	BridgePoint	ESD
Alphanumeric display	●	●
Control card	●	●
Appearance		
Colors available	White	White
Control panel	Brushed alum./ Black/Burgundy	Brushed alum./ Black/Burgundy
Weights & Dimensions		
Approx. shipping wt. (lbs.)	170	170

Dimensions (in inches)



	GE Dryers	
	DNCJ440EA/GA	DNCK440EA/GA
Capacity		
Capacity (cu. ft.)	Super (7.0)	Super (7.0)
Features		
Heat selections	4	4
Dry cycles	4	4
High Heat	●	●
Medium Heat	●	●
Low Heat	●	●
Cool down	w/High Heat	w/High Heat
Digital cycle countdown	●	●
Quiet package	●	●
Lockable lint filter	●	●
LED indicators	●	●
Door Swing	Reversible	Reversible
Drum finish	White DuraDrum™	White DuraDrum™
Smart Card Features		
Reader	BridgePoint	ESD
Alphanumeric display	●	●
Control card	●	●
Appearance		
Colors available	White	White
Control panel	Brushed alum./ Black/Burgundy	Brushed alum./ Black/Burgundy
Weights & Dimensions		
Approx. shipping weight (lbs.)	Electric	130
	Gas	125

Dimensions (in inches)



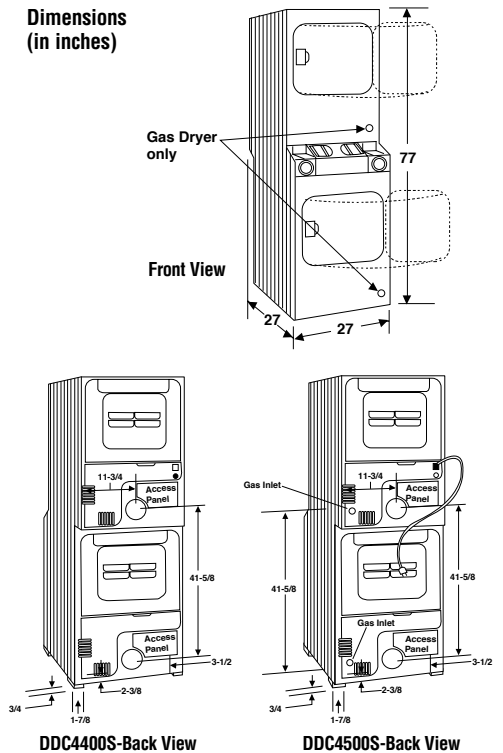
Stackable Commercial Dryers

	GE Dryers	
	Electric	Gas
Capacity		
Capacity (cu. ft.)		Large (5.4)
Features		
Automatic Dry Control		●
Porcelain Drum Interior		●
Upfront lint filter		●
Heat selections		3
Number of cycles		3
Cottons		●
Permanent Press		●
Delicates/Synthetic/Knits		●
100% Front Serviceable		●
Reverse-A-Door		●
Heavy-Duty 1/4 HP Motor		●
Appearance		
Colors available		White
Weight & Dimensions		
Approx. shipping weight (lbs.)	Electric	275
	Gas	275
Stacked (HxWxD in inches)		77 x 27 x 27

Exhaust Options:
Electric: 3-way venting: left, right, or rear. Maximum recommended exhaust duct length is 25 feet of 4" rigid ducting with two 90° elbows and 4" dampened wall cap.
Gas: 2-way venting: left, or rear. Maximum recommended exhaust duct length is 15 feet of 4" rigid ducting with two 90° elbows and a dampened wall cap.
 Dryer is shipped with exhaust to the rear. (See Installation Instructions.)
Circuit Requirements:
Electric: An individual branch circuit fused for 30-amps is required for each dryer.
Electric Dryer Rating:
 208/240V, 60Hz, 5600W, 24A
 208V, 60Hz, 4400W, 22A
 A special 208 Volt heater, part number WE11X0101 is available to reduce drying time in 208 Volt installations.
Gas: An individual branch circuit, properly grounded for a 3-prong outlet, fused for 15- or 20-amp is required for each dryer.

Gas Dryer Rating: 115V, 60Hz
Gas (BTU/Hr): Maintains thermostatically controlled heat flow to dry clothes gently. Longer cool down period on Permanent Press cycle helps prevent heat-set wrinkles. Separate thermostat controls lower temperatures for Knit cycle drying. Factory equipped for natural gas. Tested for LP gas. A conversion kit is required for LP gas. Check installation instructions for correct kit number. Have a qualified technician install the conversion kit.
See Pub. No. 31-1723 for DDC4400S and Pub. No. 31-1724 for DDC4500S installation instructions.
Note: Dimensions and specifications shown here are correct at the time this sheet was printed. Before proceeding with construction or rough-in, check installation instructions that came with your unit. Specifications, dimensions and design are subject to change without notice.
Note: Wall anchor chain provided for gas models only.

Dimensions (in inches)



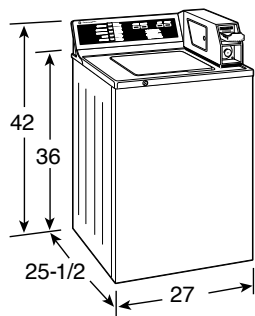
See page 165 for warranty information.

Commercial Washers and Dryers

	GE Washers		
	WCCD2050B	WLCD2050B	WCCB1030B
Capacity			
Capacity (cu. ft.)	Extra-Large (2.7)	Extra-Large (2.7)	Extra-Large (2.7)
Features			
LED Cycle Countdown	●	Long 31.5 min.	
Wash/spin speed combinations	2	2	1
Wash/rinse temperatures	3	3	3
Water levels	3 adjustable	3 adjustable	3 adjustable
GentlePower™ Agitator	●	●	●
Self-cleaning filter	●	●	●
PermaTuf II™ Basket	●	●	●
Number of wash cycles	5	5	3
Cottons White	●	●	●
Cottons Colored	●	●	●
Permanent Press	●	●	●
Delicates	●	●	●
Bright Colors	●	●	●
Color Lid Instructions	●	●	●
100% Front Serviceable	●	●	●
1/2 HP Motor	●	●	●
Appearance			
Colors available*	WH, CC	WH, CC	WH, CC
Weight & Dimensions			
Approx. shipping weight (lbs.)	174	174	174
Dimensions (HxWxD in inches)	42 x 27 x 25-1/2	42 x 27 x 25-1/2	42 x 27 x 25-1/2

*WH = White, CC = Bisque on bisque

Dimensions (in inches)



Energy Saving:

All wash cycles include energy-saving cold water rinse. Connector in back splash can be joined for warm rinse. Total cycle time—18-1/2 minutes plus fill time. Actual wash time is 7 minutes with a final spin speed of approximately 630 RPM.

Circuit Requirement:

An individual, properly grounded 15- or 20-amp branch circuit is required.

Electrical Rating: 115V, 60Hz

Low Water Consumption

Cycle Selection	Total
High Water Level	35 gallons
Medium Water Level	32 gallons
Low Water Level	29 gallons

See Pub. No. 31-15400 for installation instructions.

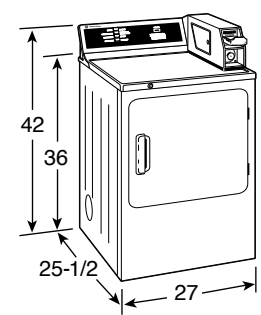
Note: Coin slide or coin drop, coin vault, and locks for cover and meter case access door are not provided with washer.

	GE Dryers		
	Electric Gas	DCB330EB DCB330GB	DCD330EB DCD330GB
Capacity			
Capacity (cu. ft.)		Extra-Large (5.7)	Extra-Large (5.7)
Features			
LED Cycle Countdown			●
Automatic Dry Control		●	●
Porcelain Drum Interior		●	●
Up-front lint filter		●	●
Reverse-A-Door		●	●
Heat selections		3	3
Number of cycles		3	3
Cottons		●	●
Permanent Press		●	●
Synthetic Knits		●	●
Front Serviceable		●	●
100% Front Serviceable		●	●
Heavy-Duty 1/4 HP Motor		●	●
Appearance			
Colors available		WH, CC	WH, CC
Weights & Dimensions			
Approx. shipping weight (lbs.)	Electric 140 Gas 155	140	155
Dimensions (HxWxD in inches)		42 x 27 x 25-1/2	42 x 27 x 25-1/2

*WH = White, CC = Bisque on bisque

GE electric dryers are available with long-ducting capability.

Dimensions (in inches)



Exhaust Options: Electric:

4-way venting: left, right, bottom and rear. Maximum recommended exhaust duct length is 45 feet of 4" rigid ducting with two 90° elbows and 4" dampered wall cap.

Gas: 3-way venting: left, bottom and rear. Maximum recommended exhaust duct length is 15 feet of 4" rigid ducting with two 90° elbows and a dampered wall cap.

Dryer is shipped with exhaust to the rear. (See Installation Instructions.)

See Pub. No. 31-1746 for installation instructions.

Circuit Requirements:

Electric An individual branch circuit fused for 30-amps is required for each dryer.

Electric Dryer Rating:

208/240V, 60Hz, 5600W, 24A
208V, 60Hz, 4400W, 22A
A special 208 Volt heater, part number WE11X0101 is available to reduce drying time in 208 Volt installations.

Gas: An individual branch circuit fused for 15- or 20-amp is required for each dryer.

Gas Dryer Rating: 115V, 60Hz

Gas (BTU/Hr): 22000. Factory equipped for natural gas. Tested for LP gas. A conversion kit is required for LP gas. Check installation instructions for correct kit number. Have a qualified technician install the conversion kit. Equipped with energy saving Glo-Bar ignition.

Dryer Note: Dryer wall outlet must be located within 36" of service cord entry and accessible when dryer is mounted in position.

Note: Dimensions and specifications shown here are correct at the time this sheet was printed. Before proceeding with construction or rough-in, check installation instructions that came with your unit. Specifications, dimensions and design are subject to change without notice.

Non-Coin-Op Commercial Washers and Dryers

	GE Washer
	WNCD2050A
Capacity	
Capacity (cu. ft.)	Super Plus (3.2)
Features	
Motor	2-speed
Wash/spin speed combinations	3
Wash/rinse temperatures	3
Water levels	4
Digital cycle countdown	●
Number of wash cycles	5
White cottons	●
Colored cottons	●
Bright colors	●
Permanent Press	●
Delicate	●
Spin only	●
Bleach dispenser	●
Fabric softener dispenser	●
Quiet package	Deluxe Quiet Plus
Lid instructions	●
LED indicators	●
Appearance	
Colors available	White
Weights & Dimensions	
Approx. shipping weight (lbs.)	160

	GE Dryer
	DNCD450EA/GA
Capacity	
Capacity (cu. ft.)	Super (7.0)
Features	
Dry cycles	5
Cottons/high heat	●
Mixed loads/ high heat	●
Perm press/ medium heat	●
Knits/low heat	●
Delicates/extra low heat	●
Temperatures	4
Air Dry	●
Digital cycle countdown	●
Quiet package	Hush
Lockable lint filter	●
LED indicators	●
Door Swing	Reversible
Drum lamp	●
Drum material	White DuraDrum™
Appearance	
Colors available	White
Weights & Dimensions	
Approx. shipping weight (lbs.)	125

See page 165 for warranty information.

SmartWater™ Reverse Osmosis Filtration Systems

	GE Profile™			GE®
	PNRV18ZWW PNRV18ZCC PNRV18ZBB	PNRV18ZWH PNRV18ZBL	PNRV12ZBL	GXRV10ABL
Capacity				
Storage tank capacity (gals.)	1.9	1.9	2.1	1.3
Features				
SmartWater faucet	Electronic Monitor	Electronic Monitor	Electronic Monitor	Short-Reach
Faucet color	White on white Bisque on bisque Black on black	Chrome with white Chrome with black	Chrome with black	Chrome with black
Output per day (gals.) – production rate (gpd) as tested by WQA Standard S-300	18*	18*	12	10
Process water used (per gal.)	4	4	4	4
Working pressure (psi)	40 min. - 125 max.	40 min. - 125 max.	40 min. - 125 max.	40 min. - 125 max.
Max. TDS removal (ppm)	2000	2000	2000	2000
Percent TDS removal ** (ppm)	75-92	75-92	75-92	75-92
Percent cysts reduction	99.95 effective	99.95 effective	99.95 effective	99.95 effective
Max. hardness	10 grains	10 grains	10 grains	10 grains
Feed water pH limits	4-10	4-10	4-10	4-10
Operation and storage water temperature	40-100° F	40-100° F	40-100° F	40-100° F
Auto Shut-Off	●	●	●	●
Filters & Membrane				
RO membrane	FX18M Thin Film Polyamid (TFP)	FX18M Thin Film Polyamid (TFP)	FX12M Thin Film Polyamid (TFP)	FX12M Thin Film Polyamid (TFP)
Pre-filter (Sediment)	FX18P-Act. Carbon Block	FX18P-Act. Carbon Block	FX12P-Carbon Composite	FX12P-Carbon Block
Post-filter (Taste/Odor)	FX18P-Gran. Act. Carbon	FX18P-Gran. Act. Carbon	FX12P-Carbon Composite	FX12P-Carbon Block
RO filtration indicator	Electronic	Electronic	Electronic	Electronic
Filter change indicator	Electronic	Electronic	Electronic	Electronic
Under counter installation (kit included)	●	●	●	●
Optional basement installation (hardware not included)	●	●	●	●
Appearance				
Style	All-In-One	All-In-One	Bracket	Bracket
Unit color	Grey	Grey	Grey	White
Filter housing	Opaque	Opaque	Opaque	Opaque
Weights & Dimensions				
Approximate shipping weight (lbs.)	16	16	23	20
Overall W x H x D (in.)	10 x 21 x 10	10 x 21 x 10	17 x 16 x 5-3/4 (unit) 11 x 17 x 11 (tank)	17 x 16 x 5-3/4 (unit) 9 x 15 x 9 (tank)
Power/Ratings				
Faucet monitor power requirement	4 AA batteries (included)	4 AA batteries (included)	4 AA batteries (included)	
Accessories (available at additional cost)				
Supplemental tank	RVTNK1	RVTNK1	RVTNK1	RVTNK1
Storage cabinet	RV18CBNT	RV18CBNT		
Icemaker connection kit	RVKIT	RVKIT	RVKIT	RVKIT



GE Reverse Osmosis Models PNRV18Z, PNRV12Z and GXRV10ABL Series are tested and certified to ANSI/NSF Standard 58 for TDS and cyst reduction.

NSF Approved

NSF is the most highly recognized independent testing institution in the water treatment industry. NSF inspects our manufacturing facilities, structurally tests our product, tests our product to make sure nothing harmful is added to the water, and certifies our product performance as specified on the performance data sheet (inside the product box).

SPECTRUM LABS INC

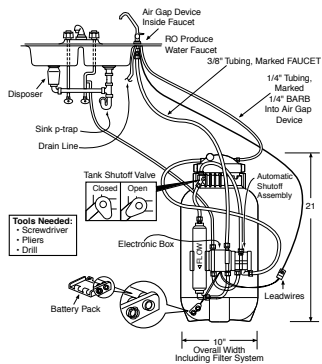
The GE Reverse Osmosis models PNRV18Z, PNRV12Z and GXRV10ABL Series have been quality tested by an independent laboratory, Spectrum Labs, Inc.

Caution: Do not use with water that is micro-biologically unsafe or of unknown quality, without adequate disinfection before or after the system. Systems certified for cyst reduction may be used on disinfected water that may contain filterable cysts. This reverse osmosis unit contains a replaceable membrane cartridge treatment component critical for effective removal of Total Dissolved Solids. The water should be tested periodically to verify that the system is performing satisfactorily.

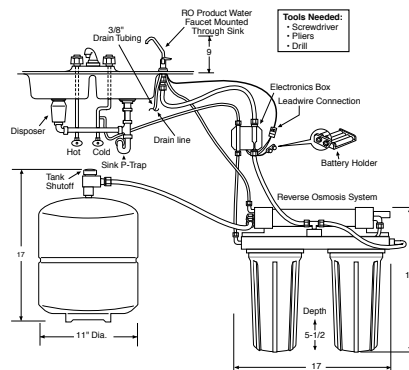
*Output according to ANSI/ NSF Standard 58 as tested by Spectrum Labs, Inc. is 14 gals. per day. Feed water over 10 grains of hardness may affect performance of the filtration system.

** Feed water = 50 psig, 77°F, pH = 7.5 ± 5 and 750 ppm TDS as sodium chloride. Product water produced, amount of waste and percent rejection will vary with changes in pressure, temperature and total dissolved solids. Feed water over 10 grains of hardness may affect performance of the filtration system.

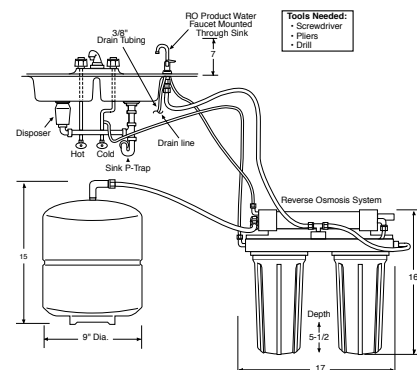
Models PNRV18Z Installation Information (in inches)



Model PNRV12ZBL Installation Information (in inches)



Model GXRV10ABL Installation Information (in inches)



Installation and Parts Information

Note: R.O. System can be installed up to 30 feet from point-of-use/faucet.

Note: Can be installed under counter (as shown), in basement, or other convenient location. Before installing, see installation instructions packed with product for complete details.

Replacement Membranes, Pre- and Post-Filters

Call SmartWater Services, toll-free 800.952.5039 for convenient ordering.

Water Test Kit

To order a water test kit, call 800.626.2000.

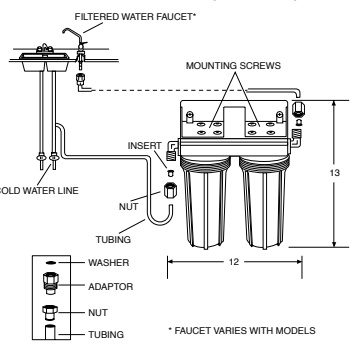
SmartWater Dual and Single Stage Water Filtration Systems

SmartWater Softening Systems

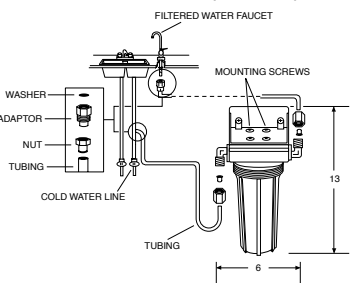
Features	GE		
	Dual Stage		Single Stage
	GNSV30CWW GNSV30CCC GNSV25CBL	GNSL05C	GN1S15CBL
SmartWater faucet	Electronic Monitor	Electronic Monitor	Short-reach
Faucet color	White on white Bisque on bisque Chrome w/black	Chrome w/black	Chrome w/black
Feed water pressure (psi)	40 min.-125 max.	40 min.-125 max.	40 min.-125 max.
Feed water temperature	40-100°F	40-100°F	40-100°F
Filtered water flow (gpm)	0.6	0.6	0.6
Filter I	Filter Set-FXSVC	Filter Set-FXSLC	FXULC
Filter cartridge	Block Act. Carbon	Polyspun Depth Filter	Block Act. Carbon
Filter II	Filter set-FXSVC (VOC)	Filter Set-FXSLC (Lead,Cysts)	N/A
Filter cartridge	Gran. Act. Carbon	Block Act. Carbon	N/A
Particulate removal	0.5-1 micron	0.5-1 micron	Nominal 0.5 micron
Chlorine reduction (percent / gals.)	97/600	97/600	98/1250
Filter life	6 months	6 months	6 months
Lead reduction (percent / gals.)	98/600	98/600	99/1250
Cysts reduction (percent)	99.99	99.99	99.99
Turbidity reduction (percent)	99	99	99
Lindane reduction (percent / gals.) (A Pesticide)	●	91/600	91/1250
Asbestos reduction (percent)	99	99	99
Mercury reduction (percent / gals.)	90/600	90/600	N/A
Atrazine reduction (percent / gals.)	●	89/600	N/A
Filter change indicator	Electronic	Electronic	Sticker
Installation kit	●	●	●
Fittings	●	●	●
Optional basement installation (hardware not included)	●	●	●
Appearance			
Style	Bracket	Bracket	Bracket
Unit color	White	White	White
Filter housing	White	White	White
Weights & Dimensions			
Approximate shipping weight (lbs.)	7	7	3.8
Overall W x H x D (in.)	12 x 13 x 4-5/8	12 x 13 x 4-5/8	5-1/2 x 13 x 4-3/4
Shipping			
Quantity per pack	1	1	8/1
Power/Ratings			
Faucet monitor power requirement	2 AA batteries (incl.)	2 AA batteries (incl.)	N/A
Accessories (available at add'l cost)			
Icemaker connection kit	UCKIT	UCKIT	UCKIT
Replacement filter	FXSVC (dual pack)	FXSLC (dual pack)	FXUTC/FXULC

Caution: Do not use with water that is microbiologically unsafe or of unknown quality, without adequate disinfection before or after the system. Systems certified for cysts reduction may be used on disinfected water that may contain filterable cysts.

Models GNSV30C/GNSV25C/GNSL05C Installation Information (in inches)



Model GN1S15C Installation Information (in inches)



Installation and Parts Information

Note: Can be installed under counter (as shown), in basement, or other convenient location. Before installing, see installation instructions packed with product for complete details.

Replacement Filters

Call SmartWater Services toll-free 800.952.5039 to order replacement filters.

Water Test Kit

To order a water test kit, call 800.626.2000.



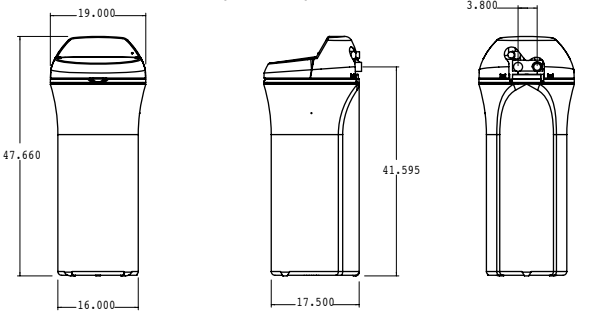
GNSV25CBL, GNSV30CCC, GNSV30CWW, GN1S15CBL and GNSL05CBL are Tested and Certified by NSF International against ANSI/NSF Standard 42 for Particulate Reduction Class I, Chlorine Reduction Class I and Taste and Odor Reduction.
GNSV25CBL, GNSV30CCC and GNSV30CWW are Tested and Certified by NSF International against ANSI/NSF Standard 53 for Lead, Cysts, Turbidity, Asbestos, Mercury and VOC Reduction.

	GE		
	GXSF27E	GXSH39E	GNSH45E
Capacity			
Capacity (grains)	27100*	39000*	45000*
Features			
Efficiency (grains per lb.-salt)	5060**	5360**	5350**
Max. hardness removal (ppg)	95	110	160
Max. clear water iron reduction (ppm)	4	8	10
Resin filter type	Std. Mesh	Std. Mesh	Std. Mesh
Resin quantity (cu. ft.)	0.72	1.07	1.23
Resin tank size (in.)	8 x 40	9 x 40	10 x 40
Salt capacity (lbs.)	200	200	200
Regeneration time (min.)	Approx. 118	Approx. 118	Approx. 118
Service flow rate (at 15 psi drop)	8	11	12.5
Installation pack	●	●	●
Permanent settings memory	●	●	●
Electronic controls	●	●	●
Days to empty indicator	●	●	●
Low salt indicator	●	●	●
Status light indicator	●	●	●
Audible alarm	●	●	●
Systems monitor	●	●	●
Valve size	3/4"	1"	1"
Plumbing connections	Up to 1"	Up to 1-1/4"	Up to 1-1/4"
Appearance			
Style	Sculpted	Sculpted	Sculpted
Unit color	Light Grey	Light Grey	Light Grey
Electronic demand driven	●	●	●
Weights & Dimensions			
Approximate shipping weight (lbs.)	80	100	114
Overall W x H x L (in.)	51x20x20	51x20x20	51x20x20
Power/Ratings			
Electronic rating	24V, 60Hz	24V, 60Hz	24V, 60Hz

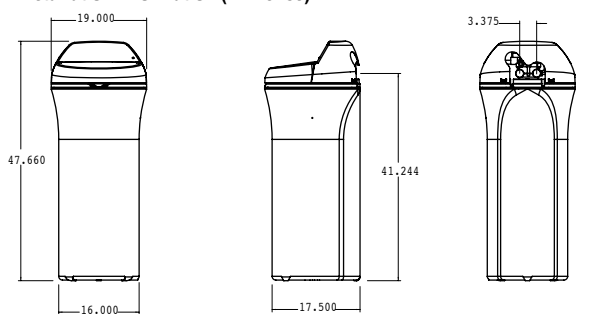
*GNSH45E-Test protocol @ 13.6 lbs. of salt. GXSH39E-Test protocol @ 11.8 lbs. of salt. GXSF27E-Test protocol @ 11.5 lbs. of salt. **GNSH45E-Test protocol @ 3.6 lbs. of salt. GXSH39E-Test protocol @ 3.2 lbs. of salt. GXSF27E-Test protocol @ 2.2 lbs. of salt.

Important: All units must be installed according to local codes. Note: Before installing, see installation instructions packed with product for complete details, or call GE QuickSpecs 800-432-3729.

Models GNSH45E and GXSH39E Installation Information (in inches)



Model GXSF27E Installation Information (in inches)



GNSH45E, GXSH39E and GXSF27E conform to ANSI/NSF 44 for specifically claimed performance.

Refrigeration
Cooking Products
Microwave Ovens
Dishwashers
Clothes Care
Water Systems
Air Conditioning

Vertical Packaged Terminal Air Conditioning

Features	GE Profile™					
	Electric Resistance Heat			Heat Pumps		
	AZ75E09DAC	AZ75E12DAC	AZ75E18DAC	AZ75H09DAC	AZ75H12DAC	AZ75H18DAC
BTUH	9,500/9,300	11,700/11,500	17,500/17,200	9,500/9,300	11,700/11,500	17,500/17,200
Voltage	230/208	230/208	230/208	230/208	230/208	230/208
E.E.R. (BTUH/Watt)	10.5/10.5	10.7/10.7	10.0/10.0	10.5/10.5	10.7/10.7	10.0/10.0
Universal Heater (kW)	2.55/3.45/5.0	2.55/3.45/5.0	2.55/3.45/5.0	2.55/3.45/5.0	2.55/3.45/5.0	2.55/3.45/5.0
Dehumidification (pints/hr.)	2.7	3.6	5.0	2.7	3.6	5.0
Heating Cap (BTUH)				8,400/8,200	10,900/10,700	15,700/15,500
COP @ 47°				3.6	3.3/3.3	3.1
Indoor CFM (Hi/Lo)	310/260	375/315	550/475	310/260	375/315	550/475
Case Dimensions						
Height (in inches)	32-1/4	32-1/4	32-1/4	32-1/4	32-1/4	32-1/4
Width (in inches)	23-1/8	23-1/8	23-1/8	23-1/8	23-1/8	23-1/8
Depth (in inches)	23-1/8	23-1/8	23-1/8	23-1/8	23-1/8	23-1/8
Net weight (lbs.)	141	154	163	141	154	163
Approx. shipping weight (lbs.)	152	165	174	152	165	174

Zoneline Specifications—Heater Wattage and Power Connection Kits

Deluxe Line: 2500, Dry Air 25 and 3200 Series

Models are manufactured with fixed heater wattages with the appropriate power cord attached (all 265 volt models are permanently connected).

5.0 KW heaters are not available on 7,000 BTUH models.

Voltage	Heater Amps	Heater Designator	Watts	KWH	Minimum Ampacity	BTUH
230/208	11.1/10.0	2	2550/2090	2.55/2.09	15	8600/7100
230/208	15.0/13.6	3	3450/2820	3.45/2.82	20	11,700/9600
230/208	21.7/19.7	5	5000/4090	5.00/4.09	30	17,000/13,900
265	9.7	3	2550	2.55	15	8600
265	14.0	4	3700	3.7	20	12,600
265	18.9	5	5000	5.0	30	17,000

Premium Line: 5500 Series and Vertical 7500 Series

Power Connection Kits are REQUIRED on Premium Zoneline Chassis. (See chart.)

The correct kit for the installation is determined by the voltage and amperage of the electrical circuit and the means of connecting the unit to the building wiring. If the unit is to be plugged into a receptacle, a line cord kit would be used; if the unit is to be permanently connected, a permanent connection kit would be used.

Note: 265 volt cord set units must be installed in compliance with National Electrical Code®

230/208 Volt—Line Cord Connected Units

Power Connection Kit	RAK3152	RAK3202	RAK3302
Heater KW	2.55/2.09	3.45/2.82	5.00/4.09
Watts	2550/2090	3450/2820	5000/4090
BTUH	8600/7100	11,700/9600	17,000/13,900
Amps	11.1/10.0	15.0/13.6	21.7/19.7
Min. Circuit Amps	15	20	30
Recommended Protective Device	15 Amp Time Delay Fuse or Breaker	20 Amp Time Delay Fuse or Breaker	30 Amp Time Delay Fuse or Breaker

5500 Series Only

265 Volt—Permanent Connected Units* (Cord Set)

Power Connection Kit	RAK5152	RAK5172	RAK5202	RAK5302
Heater KW	1.7	3.0	3.7	5.0
Watts	1700	3000	3700	5000
BTUH	5800	10,200	12,600	17,000
Amps	6.4	11.3	14.0	18.9
Min. Circuit Amps	15	15	20	30
Recommended Protective Device	15 Amp Time Delay Fuse	15 Amp Time Delay Fuse	20 Amp Time Delay Fuse	30 Amp Time Delay Fuse

*To be used with sub-base.

Sub-bases

	RAK204U	RAK204D20	RAK204D30	RAK204E15	RAK204E20	RAK204E30
Voltage	N/A	230/208	230/208	265	265	265
Amps	N/A	15/20	30	15	20	30
Receptacle	N/A	NEMA6-20R	NEMA6-30R	NEMA7-15R	NEMA7-20R	NEMA7-30R

265 Volt units are to be direct connected. Cordset through enclosed chaseway into interior sub-base receptacle meets the NEC requirements.

Power Connection Kit

Required on premium models.

See specification sheet for heater KW and branch circuit ampacity.

Receptacles/Sub-bases



Tandem
230/208V 15 Amp
NEMA6-20R



Perpendicular
230/208V 20 Amp
NEMA6-20R



Large Tandem
230/208V 30 Amp
NEMA6-30R



265V 15 Amp
NEMA7-15R;
receptacle used on
265V sub-base GE0715



265V 20 Amp
NEMA7-20R;
receptacle used on
265V sub-base GE0720-3



265V 30 Amp
NEMA7-30R;
receptacle used on
265V sub-base GE073



RAK3152/3202/3302
230/208 volt Line
Cord Connection Kit

GE has a policy of continuous improvement on its products and reserves the right to change materials and specifications without notice.

See page 165 for warranty information.

Zoneline Packaged Terminal Unit Specifications

GE							
230/208V Models	Deluxe Series—Cooling and Electric Heat				Dry Air 25		
	2500 Series Units				Dry Air 25		
	AZ25E07D	AZ25E09D	AZ25E12D	AZ25E15D	AZ25E07D*P	AZ25E09D*P	AZ25E12D*P
Capacity							
Cooling BTUH	7,100/6,900	9,000/8,800	11,700/11,500	14,600/14,300	6,800/6,600	8,600/8,400	11,200/11,000
EER (BTU/Watt)	11.8/11.8	11.5/11.5	10.9/10.9	9.6/9.6	11.1/11.1	10.8/10.8	10.2/10.2
Dehumidification Pts/Hr	1.7	2.7	3.6	4.5	2.2	3.4	4.5
Features							
CFM, Indoor Fan High	240	260	270	310	230	230	240
CFM, Indoor Fan Low	210	230	240	280	200	200	210
Vent CFM	40/35	65/60	70/65	70/65	40/35	65/60	70/65
Power/Ratings							
Power Factor	95	96	97	94	95	96	97
Sensible Heat Ratio @ 230 Volts	75%	68%	67%	67%	66%	58%	57%
Watts	600/585	785/765	1075/1055	1520/1490	600/585	785/765	1075/1055
Amperes, F.L.	2.8/3.0	3.6/3.9	4.9/5.3	7.0/7.5	2.8/3.0	3.6/3.9	4.9/5.3
Amperes, L.R.	19.0	21.0	33.0	38.0	19.0	21.0	33.0
Weight (Net/Ship)**	92/108	93/109	101/117	111/127	98/114	99/115	107/123

265V Models	AZ25E07E	AZ25E09E	AZ25E12E	AZ25E15E	AZ25E07E*P	AZ25E09E*P	AZ25E12E*P	
	Capacity							
	Cooling BTUH	7,100	9,000	11,700	14,600	6,800	8,600	11,200
EER (BTU/Watt)	11.8	11.5	10.9	9.6	11.1	10.8	10.2	
Dehumidification Pts/Hr	1.7	2.7	3.6	4.5	2.2	3.4	4.5	
Features								
CFM, Indoor Fan High	240	260	270	310	230	230	240	
CFM, Indoor Fan Low	210	230	240	280	200	200	210	
Vent CFM	40	65	70	70	40	65	70	
Power/Ratings								
Power Factor	96	94	94	96	96	94	94	
Sensible Heat Ratio @ 265 Volts	75%	68%	67%	67%	66%	58%	57%	
Watts	600	785	1075	1520	600	785	1075	
Amperes, F.L.	2.4	3.2	4.4	6.0	2.4	3.2	4.4	
Amperes, L.R.	16.0	18.0	24.0	31.0	16.0	18.0	24.0	
Weight (Net/Ship)**	92/108	93/109	100/117	111/127	98/114	99/115	107/123	

* For Dry Air 25 model number, designate respective heater number using chart above, followed by the letter "P".
 ** ICR adds 3 pounds to unit weight.

Zoneline Installation

Simple Three-Step Installation

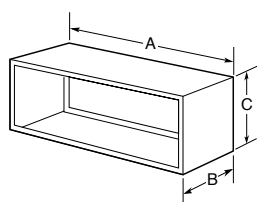
Zoneline heat pumps and heat/cool units are designed for easy installation, off or flush with the floor. When the SMC fiberglass-reinforced polyester sleeve is installed, the chassis simply slides into place.

Compatibility with existing Zoneline wall cases and rear grilles simplifies retrofit installations. A new chassis simply slides into the already installed wall case; the existing rear grille may be used as is, or with a minor modification for greater operating efficiency.

And the exclusive Quick Connect power supply kit with Premium Series makes it easy to connect the new unit to power sources already in place.

- 1. Frame the Opening.** The RAB77A SMC wall case requires an opening of 16-1/2" high x 42-3/8" wide. Position the sleeve, secure it to the studs and then caulk. Complete instructions are furnished with each unit.
- 2. Connect the Electrical Supply.** Each Zoneline unit requires a 230/208V or 265V power supply. *It is strongly recommended that electrical connections be made by a qualified electrician.* All wiring, including installation of the receptacle, must be in accordance with local codes.
- 3. Slide In Chassis.** With the wall sleeve, electrical receptacle, and exterior grille in place, the separate chassis simply slides into position. Install the roomside cabinet, and plug into the electrical receptacle. You are now ready for many years of quiet comfort.

Wall Case Dimensions

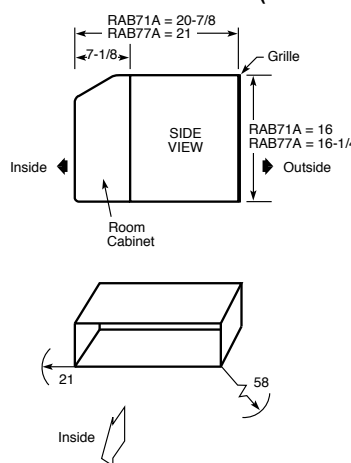


RAB71 Insulated Wall Case
 Heavy-gauge galvanized steel, with insulation.
 A-42", B-13-3/4", C-16"

RAB77 Wall Case
 Molded SMC fiberglass-reinforced polyester compound.
 A-42-1/8", B-13-7/8", C-16-1/4"

Wall Opening Dimensions
 Add 1/4" to A and C dimensions for all cut-out size.
 RAB71—16-1/4" min. H x 42-1/4" min. W
 RAB77—16-1/2" min. H x 42-3/8" min. W

Maximum Cord Extension (in inches)



Electrical Wiring

All wiring, including installation of receptacle, must be made in accordance with local electrical codes and regulations.

Note: Aluminum wiring may pose special problems—consult a qualified electrician.

Cooling Sizes

All units come in four nominal cooling sizes: 7100, 9000, 12,000 and 15,000 BTUH.

Resistance Heat

Resistance heat or back-up heat determined by Quick Connect power cord on the Premium Series and selected heater size for the Value Series (15 amp. 8600 BTU, 20 amp. 11,700 BTU and 30 amp. 17,000 BTU @ 230 volt).

Grille Options

Stamped Aluminum Grille—RAG60
 Molded Exterior Architectural Louvers (Cycloloy)
 RAG61 or RAG64 (Beige)
 RAG62 or RAG65 (Maple)
 RAG63 or RAG66 (Bittersweet)
 RAG67 (Extruded Aluminum)

Ducted Applications

2200 and 3200 series can be used with ductwork to heat or cool more than one room. RAK6052 Duct Adapter is applied to top of case over air discharge/RAK601 Duct Extension is applied to right or left of adapter. Locally fabricated ductwork may be added to extend to maximum recommended distance of 15 feet.

Electrical Connection

230/208 volt units may be plugged into a receptacle. 265 volt units and special application 230/208 volt units require direct connection. See Architects and Engineers Design Data Manual for electrical connection information including use of sub-base for direct connected units. Installation must comply with local electrical codes and regulations.

For the most current updates to features, specifications and installations or applications, visit our website at www.zoneline.com.

Zoneline Packaged Terminal Unit Specifications (continued)

GE								
Deluxe Series—Heat Pump Units					Premium Series—Heat Pump Units			
3500 Series Units					5500 Series Units			
230/208V Models	AZ35H07D	AZ35H09D	AZ35H12D	AZ35H15D	AZ55H07D	AZ55H09D	AZ55H12D	AZ55H15D
Capacity								
Cooling BTUH	7,100/6,900	9,000/8,800	11,700/11,500	14,600/14,300	7,100/6,800	9,000/8,800	11,800/11,600	14,700/14,400
EER (BTU/Watt)	11.8/11.8	11.5/11.5	10.9/10.9	9.6/9.6	12.0/12.0	11.5/11.5	10.9/10.9	10.0/10.0
Dehumidification Pts/Hr	1.7	2.7	3.6	4.5	1.7	2.8	3.6	4.8
Features								
CFM, Indoor Fan High	250	260	280	310	240	290	330	350
CFM, Indoor Fan Low	220	230	250	280	220	270	310	330
Vent CFM	40/35	65/60	70/65	70/65	40/35	65/60	70/65	70/65
Power/Ratings								
Power Factor	95	96	97	94	95	96	94	95
Sensible Heat Ratio @ 230 Volts	75%	68%	67%	67%	75%	67%	68%	65%
Watts	600/585	785/765	1075/1055	1520/1490	590/565	785/765	1085/1065	1470/1440
Amperes, F.L.	2.8/3.0	3.6/3.9	4.9/5.3	7.0/7.5	2.7/2.9	3.6/3.9	5.1/5.5	6.7/7.3
Amperes, L.R.	19.0	21.0	33.0	38.0	19.0	21.0	33.0	38.0
Reverse Cycle Heat BTUH	6400/6200	8400/8200	10900/10700	13400/13200	6,400/6,200	8,400/8,200	10,900/10,700	13,400/13,200
COP	3.5/3.5	3.5/3.5	3.3/3.3	3.1/3.1	3.5/3.5	3.5/3.5	3.3/3.3	3.1/3.1
Watts	535/520	705/685	970/950	1265/1250	535/520	700/685	970/950	1,265/1,250
Amps	2.4/2.6	3.1/3.4	4.3/4.7	5.8/6.3	2.4/2.6	3.1/3.3	4.3/4.7	5.8/6.3
Weight (Net/Ship)*	96/112	99/115	111/127	121/137	101/117	106/122	116/132	123/139

265V Models	AZ35H07E	AZ35H09E	AZ35H12E	AZ35H15E	AZ55H07E	AZ55H09E	AZ55H12E	AZ55H15E
Capacity								
Cooling BTUH	7,100	9,000	11,700	14,600	7,100	9,000	11,800	14,700
EER (BTU/Watt)	11.8	11.5	10.9	9.6	12.0	11.5	10.9	10.0
Dehumidification Pts/Hr	1.7	2.7	3.6	4.5	1.7	2.8	3.6	4.8
Features								
CFM, Indoor Fan High	250	260	280	310	240	290	330	350
CFM, Indoor Fan Low	220	230	250	280	220	270	310	330
Vent CFM	40	65	70	70	40	65	70	70
Power/Ratings								
Power Factor	96	94	94	96	96	94	94	96
Sensible Heat Ratio @ 265 Volts	75%	68%	67%	67%	75%	67%	68%	65%
Watts	600	785	1075	1520	590	785	1085	1470
Amperes, F.L.	2.4	3.2	4.4	6.0	2.3	3.2	4.5	5.8
Amperes, L.R.	16.0	18.0	24.0	31.0	16.0	18.0	24.0	31.0
Reverse Cycle Heat BTUH	6,400	8,400	10,900	13,400	6,400	8,400	10,900	13,400
COP	3.5	3.5	3.3	3.1	3.5	3.5	3.3	3.1
Watts	535	700	970	1265	535	705	970	1,265
Amps	2.2	2.8	3.9	5.0	2.2	2.8	3.9	5.0
Weight (Net/Ship)**	96/112	99/115	111/127	121/137	101/117	106/122	116/132	123/139

*ICR adds 3 pounds to unit weight.

Built-In “J” Series Units and Heat Pumps

Models	GE									
	Regular Mount Chassis/Cool						High-Mount Chassis/Cool			
	AJCS06LCA	AJCS08ACA	AJCS10ACA	AJCS09DCA	AJCS10DCA	AJCS12DCA	AJCH08ACA	AJCH10ACA	AJCH10DCA	AJCH12DCA
Capacity										
BTUH-AHAM	6000	8000	9900	8900/8700	9900/9700	11,600/11,400	8000	9900	9900/9700	11,600/11,400
E.E.R.	9.5	9.2	9.2	9.5/9.5	9.2/9.2	9.0/9.0	9.2	9.2	9.2/9.2	9.0/9.0
Dehumidification (pints/hr.)	1.4	2.0	2.7	2.5	2.6	3.2	2.0	2.7	2.6	3.2
Features										
Fan speeds (Cool/Fan Only)	2/2	2/2	2/2	2/2	2/2	2/2	2/2	2/2	2/2	2/2
Airflow (cfm) roomside hi/low	210/180	250/210	250/210	250/210	250/210	265/230	250/210	250/210	250/210	265/230
Air exchange exhaust	•	•	•	•	•	•	•	•	•	•
Variable setting thermostat	•	•	•	•	•	•	•	•	•	•
Filter type	Slide-Out	Slide-Out	Slide-Out	Slide-Out	Slide-Out	Slide-Out	Slide-Out	Slide-Out	Slide-Out	Slide-Out
Rotary compressor	•	•	•	•	•	•	•	•	•	•
Economical/Quiet										
Fan cycle switch	•	•	•	•	•	•	•	•	•	•
Appearance										
Slide-out chassis	•	•	•	•	•	•	•	•	•	•
Installation	Wall	Wall	Wall	Wall	Wall	Wall	Wall	Wall	Wall	Wall
Wall case required	RAB46/47/48	RAB46/47/48	RAB46/47/48	RAB46/47/48	RAB46/47/48	RAB46/47/48	RAB46/47/48	RAB46/47/48	RAB46/47/48	RAB46/47/48
Weights & Dimensions										
Height (in inches) A	← 15-5/8 →						← 15-5/8 →			
Width (in inches) B	← 26 →									
Depth (in inches) C	← 16-7/8 →									
Approx. net weight (lbs.)	62	67	75	69	76	79	67	75	76	79
Approx. shipping weight (lbs.)	70	75	83	77	84	87	76	83	84	87
Power/Ratings										
Voltage	115	115	115	230/208	230/208	230/208	115	115	230/208	230/208
Amps-AHAM	5.7	7.9	9.7	4.2/4.6	4.9/5.3	5.8/5.3	7.9	9.7	4.9/5.3	5.8/6.3
Watts input	630	870	1075	935/915	1075/1055	1290/1265	870	1075	1075/1055	1290/1265
Line cord plug	Parallel	Parallel	Parallel	Tandem	Tandem	Tandem	Parallel	Parallel	Tandem	Tandem
Recommended circuit protection (time delay)	15 Amps	15 Amps	15 Amps	15 Amps	15 Amps	15 Amps	15 Amps	15 Amps	15 Amps	15 Amps

Models	GE					
	Regular Mount Chassis/Heat/Cool			High-Mount Chassis/Heat/Cool	Regular Mount Chassis/Heat Pumps	
	AJES09DCA	AJES10DCA	AJES12DCA	AJEH12DCA	AJHS08DCA	AJHS10DCA
Capacity						
BTUH-AHAM	8900/8700	9900/9700	11,600/11,400	11,600/11,400	8000/7800	9800/9600
E.E.R.	9.5/9.5	9.2/9.2	9.0/9.0	9.0/9.0	9.2/9.2	9.2/9.2
Dehumidification (pints/hr.)	2.5	2.6	3.2	3.2	2.0	2.6
Features						
Fan speeds (Heating/Cooling)	2/2	2/2	2/2	2/2	2/2	2/2
Fan Only speeds	2	2	2	2	2	2
Airflow (cfm) roomside hi/low	250/210	250/210	265/230	265/230	250/210	250/210
Air exchange exhaust	•	•	•	•	•	•
Variable setting thermostat	•	•	•	•	•	•
Filter type	Slide-Out	Slide-Out	Slide-Out	Slide-Out	Slide-Out	Slide-Out
Rotary compressor	•	•	•	•	•	•
Economical/Quiet						
Fan cycle switch	•	•	•	•	•	•
Appearance						
Slide-out chassis	•	•	•	•	•	•
Wall case required	RAB46/47/48	RAB46/47/48	RAB46/47/48	RAB46/47/48	RAB46/47/48	RAB46/47/48
Installation	Wall	Wall	Wall	Wall	Wall	Wall
Window installation kit	Optional	Optional	Optional	Optional	Optional	Optional
Weights & Dimensions						
Height (in inches) A	← 15-5/8 →					
Width (in inches) B	← 26 →					
Depth (in inches) C	← 16-7/8 →					
Approx. net weight (lbs.)	70	77	80	80	71	81
Approx. shipping weight (lbs.)	78	85	88	88	80	91
Power/Ratings						
Voltage	230/208	230/208	230/208	230/208	230/208	230/208
Amps-AHAM	4.2/4.6	4.9/5.3	5.8/6.3	5.8/6.3	4.0/4.3	4.9/5.3
Watts input	935/915	1075/1055	1290/1265	1290/1265	870/850	1065/1045
Line cord plug	Perpendicular	Perpendicular	Perpendicular	Perpendicular	Perpendicular	Perpendicular
Recommended circuit protection (time delay)	20 Amps	20 Amps	20 Amps	20 Amps	20 Amps	20 Amps
Reverse Cycle Heating						
BTUH-AHAM					7700/7500	9700/9500
C.O.P. @ 47°F.					3.0	3.0
Amps-AHAM					3.4/3.7	4.3/4.7
Watts input					750/730	950/930
Electric Resistance Heating						
BTUH-AHAM	11,600/9,480	11,600/9,480	11,600/9,480	11,600/9,480	11,600/9,480	11,600/9,480
Amps (Max. connected load)	16.0	16.0	16.0	16.0	16.0	16.0
Watts output	3400/2780	3400/2780	3400/2780	3400/2780	3400/2780	3400/2780

All cooling with electric heat models and heat pumps are corrosion treated. Specifications and design subject to change without notice.

Heat/Cool and Window/Built-In "J" Series Units and Heat Pumps

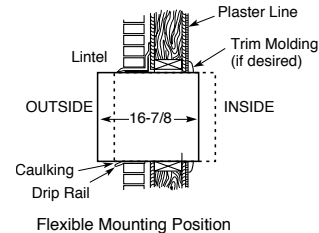
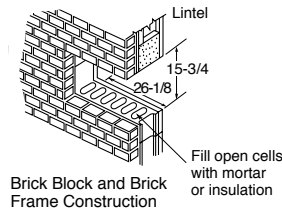
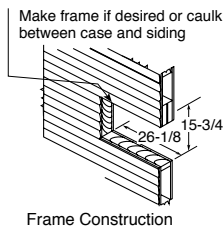
GE "J" Series							
Features	Heat/Cool Units			Heat Pump	Cooling Only Units		
	AJES06LSA*	AJES08ASA*	AJES10DSA*	AJHS08ASA*	AJCS06LZA	AJCS08AZA	AJCS10AZA
Cooling BTUH-AHAM	6,000	8,000	9,900/9,700	8,000	6,000	8,000	9,900
Voltage	115	115	230/208	115	115	115	115
E.E.R. (BTUH/Watt)	9.5	9.2	9.2/9.2	9.2	9.5	9.2	9.2
Rated cooling amps - AHAM	5.7	7.9	4.9/5.3	7.9	5.7	7.9	9.7
Cooling watts	630	870	1,075/1,055	870	630	870	1,075
Plug type (see below)	Parallel	Parallel	Perpendicular	Parallel	Parallel	Parallel	Parallel
Line cord plug recommended circuit protection (time delay)	15 Amps	15 Amps	20 Amps	15 Amps	15 Amps	15 Amps	15 Amps
Dehumidification (pints/hr.)	1.4	2.0	2.6	2.0	1.4	2.0	2.7
CFM (high shown)	210	250	250	230	210	250	250
Air exchange exhaust	●	●	●	●	●	●	●
Fan speeds: Cooling/Heating	2/2	2/2	2/2	2/2	2	2	2
Fan Only position	2	2	2	2	2	2	2
Fan cycle switch	●	●	●	●	●	●	●
Thermostat	Variable Setting	Variable Setting	Variable Setting	Variable Setting	Variable Setting	Variable Setting	Variable Setting
Filter type	Slide-Out	Slide-Out	Slide-Out	Slide-Out	Slide-Out	Slide-Out	Slide-Out
Chassis	Slide-Out	Slide-Out	Slide-Out	Slide-Out	Slide-Out	Slide-Out	Slide-Out
Compressor type	Rotary	Rotary	Rotary	Rotary	Rotary	Rotary	Rotary
Window mounting	Standard	Standard	Standard	Standard	EZ Mount	EZ Mount	EZ Mount
Window opening height (min. in inches)	17	17	17	17	17	17	17
Window opening width (min. in inches)	31	31	31	31	31	31	31
Window opening width (max. in inches)	42	42	42	42	41	41	41
Case Dimensions							
Height (in inches) A	15-5/8	15-5/8	15-5/8	15-5/8	15-5/8	15-5/8	15-5/8
Width (in inches) B	26	26	26	26	26	26	26
Depth (in inches) C	16-7/8	16-7/8	16-7/8	16-7/8	16-7/8	16-7/8	16-7/8
Depth to louvers (in inches) D	None	None	None	None	None	None	None
Net weight (lbs.)	86	91	100	94	85	90	98
Approx. shipping weight (lbs.)	95	100	108	102	93	99	106
Heating Capacity - Reverse Cycle							
BTUH - AHAM - H.P.				7,700			
Rated Heating Amps - AHAM				6.8			
COP @ 47°				3.0			
Heating Capacity - Electric							
BTUH - AHAM - I ² R	4,100	4,100	11,600/9,480	4,100			
Rating Heating Amps - AHAM	12.0	12.0	15.5/14.0	12.0			
Total Heating Load Watts	1,200	1,200	3,400/2,780	1,200			

*These units are not intended to be the primary source of heat.

Built-In Room Air Conditioners Wall Opening for RAB46/47/48 Cases

A finished opening of 26-1/8" x 15-3/4", clear of intrusions, is required. Keep clearance of 4" from side walls. Brick veneer or frame walls should have wood studding surrounding case to provide firm anchoring with screws. Case can be fastened directly to brick or block walls with screws sunk in lead expansion shields.

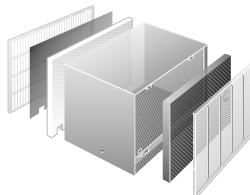
Note: Units should be caulked on all four sides of case to the building exterior to assure building integrity.



Two Wall Cases for Tenant Option Installation
When the air conditioner is offered as a tenant option, these wall cases provide protection against outside elements.

RAB47—includes wall case, exterior grille and steel closure panels.

RAB48—includes wall case, exterior grille, steel closure panel and two layers of insulation.



Standard Wall Case RAB46

Solid-sided wall case fabricated of galvanized steel with baked enamel finish. Welded areas are coated with a sealing compound to help resist rust and corrosion. Polymer gasket surrounds opening to assure tight weather seal. Aluminum grille (RAG13) is included. Panels on interior and between case and grille provide weather protection prior to installation of chassis.



Parallel
115V.
15 Amp.

Perpendicular
230/208V.
20 Amp.

Tandem
230/208V.
15 Amp.

Large Tandem
230/208V.
30 Amp.

Wall Outlets

All wiring, including installation of receptacle, must be made in accordance with local electrical codes and regulations. Electrical outlet should be in reach of line cord.

Note: Aluminum wiring may pose special problems—consult a qualified electrician.

Note: Some models may not be available in your area due to local legislation. Contact your local dealer.

Note: When installing slide out chassis units in through-the-wall applications, keep louvers free. Do not restrict air flow areas. Fixed chassis units are not suitable for through-the-wall applications.



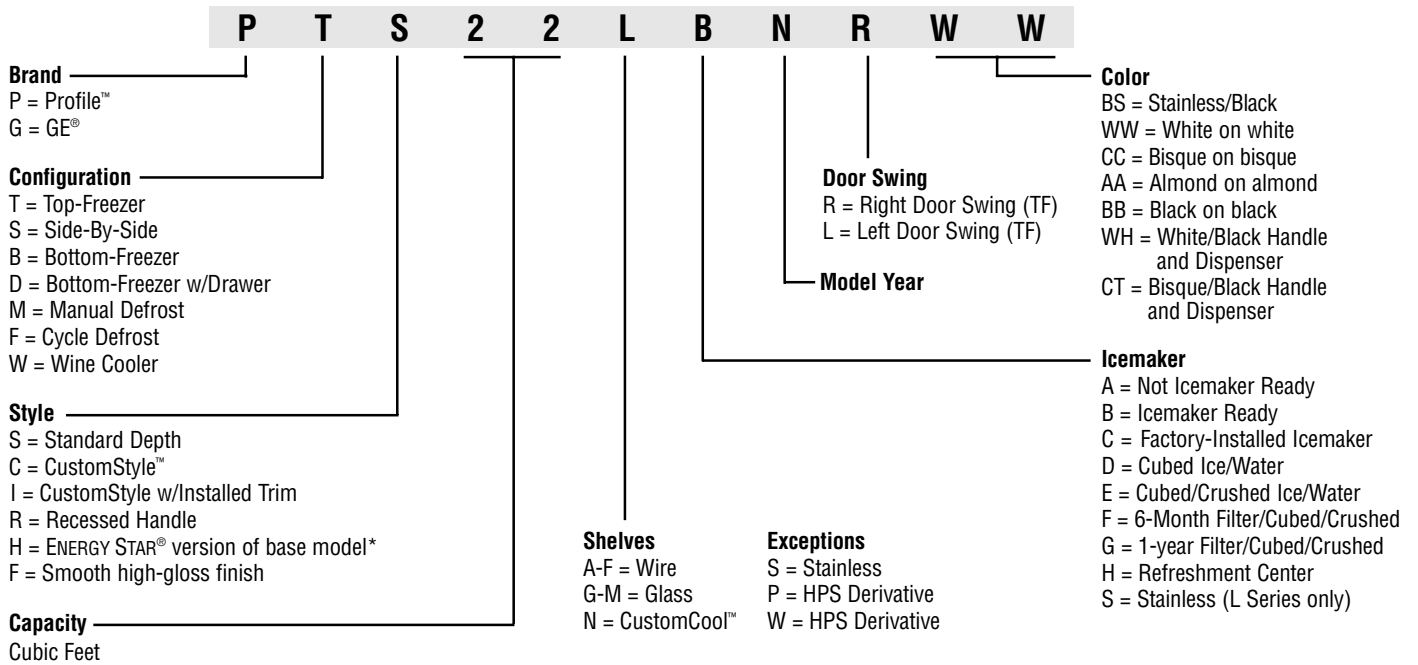
Listed by Underwriters Laboratories



Total capacity and E.E.R. ratings are calculated based on the Association of Home Appliance Manufacturers' standards.

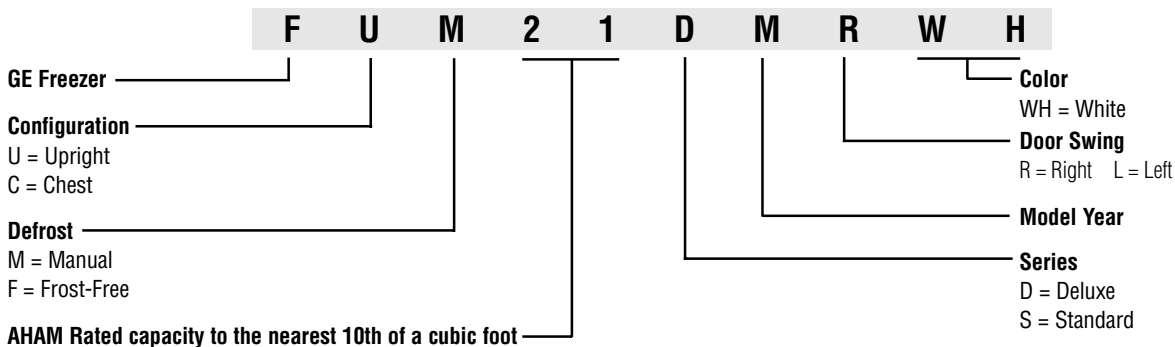


Reading Refrigerator Nomenclature

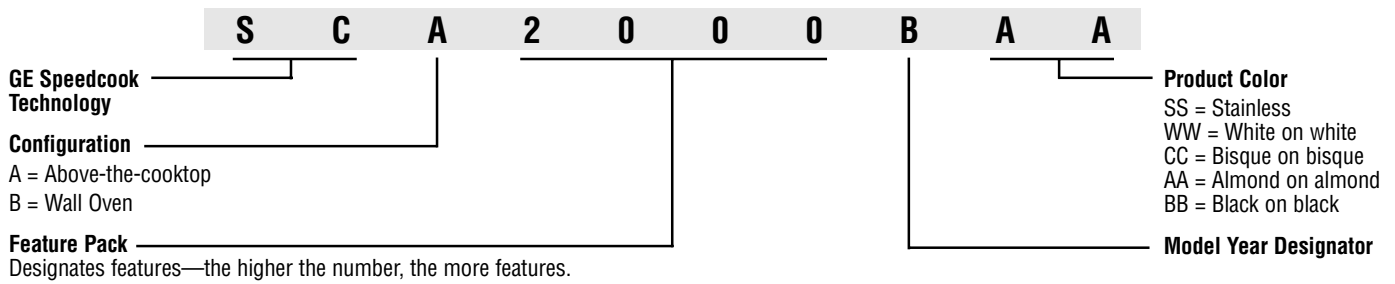


*Some models are only produced in ENERGY STAR versions, see product specifications for details.

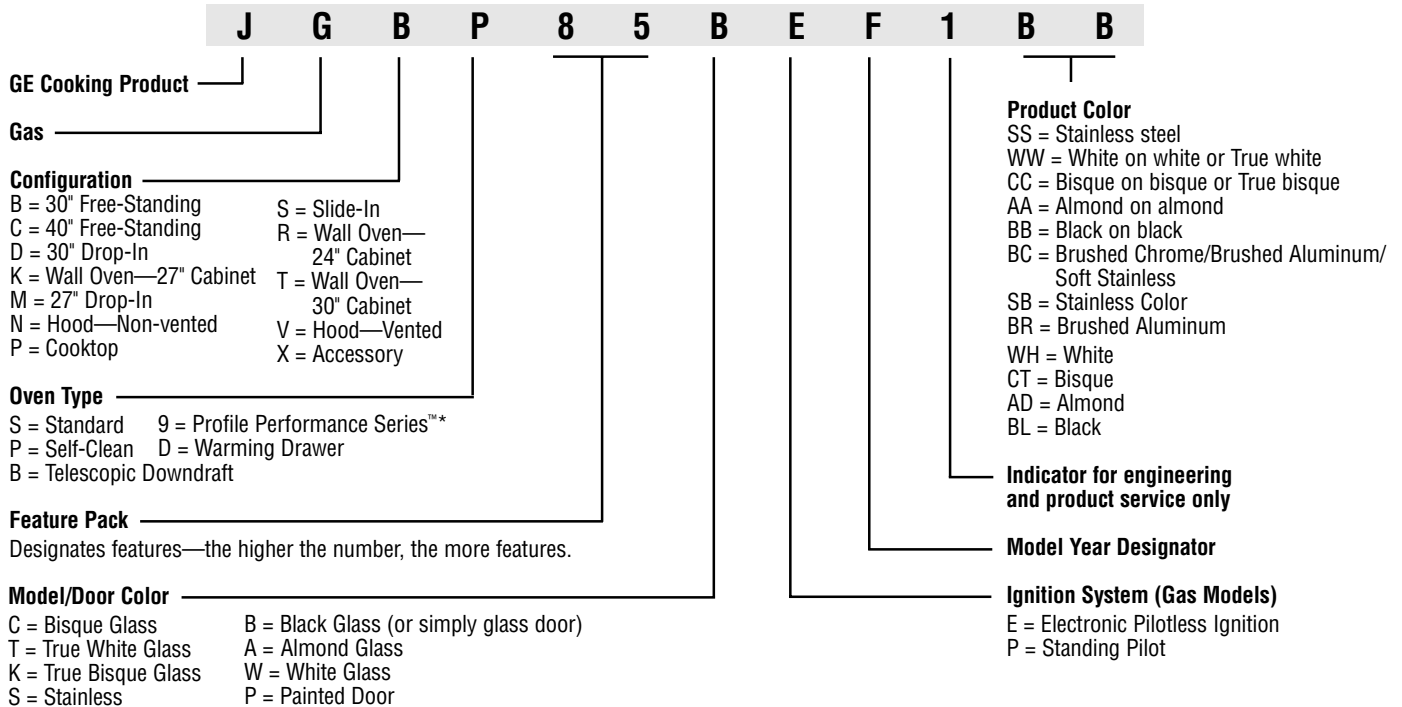
Reading Freezer Nomenclature



Reading Advantium™ Oven Nomenclature

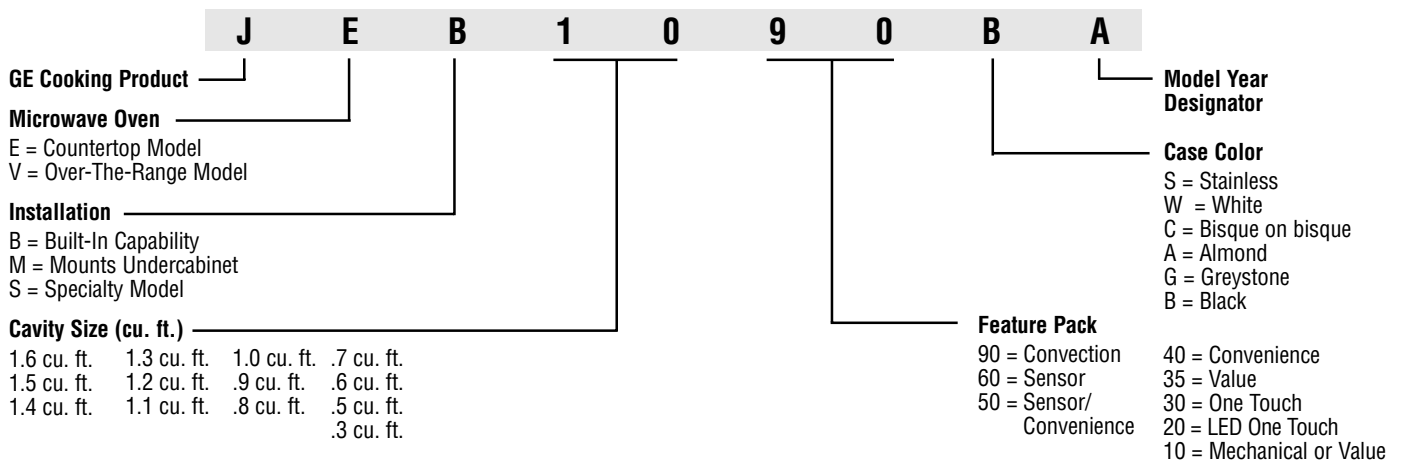


Reading Cooking Nomenclature

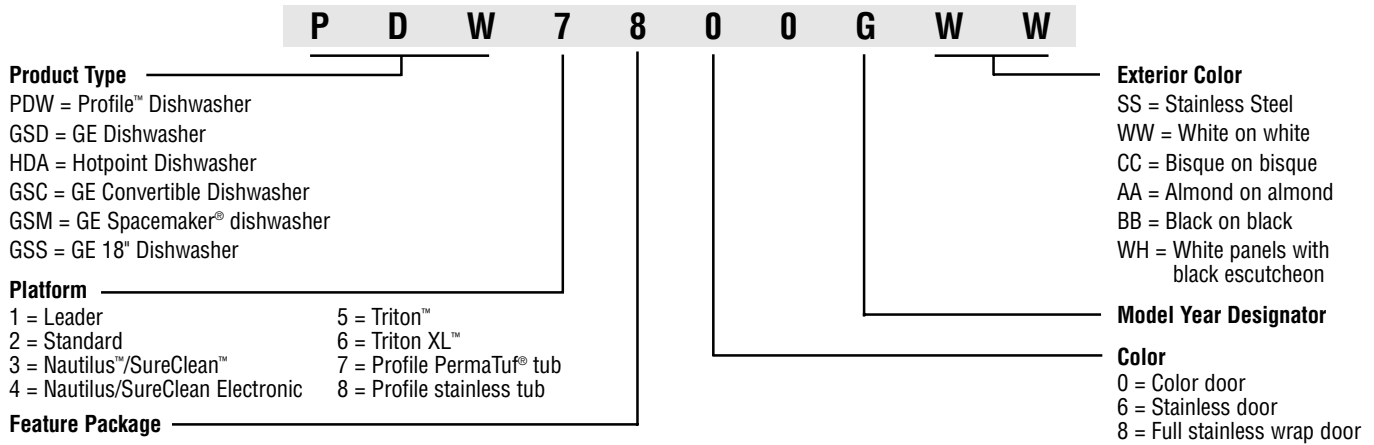


*GE Profile Performance Series™ applies to free-standing only.

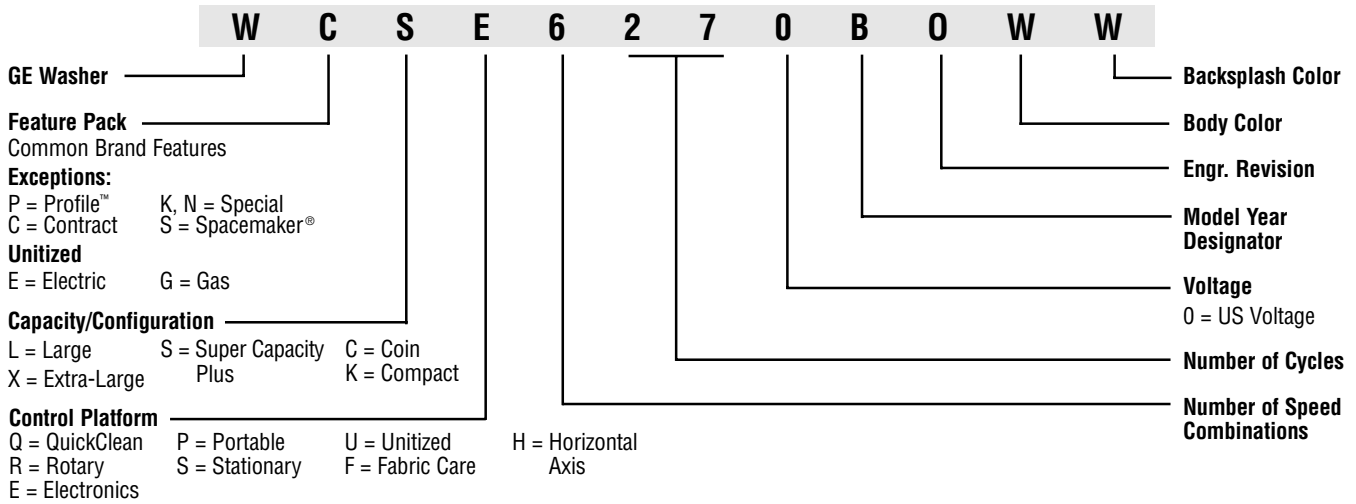
Reading Microwave Nomenclature



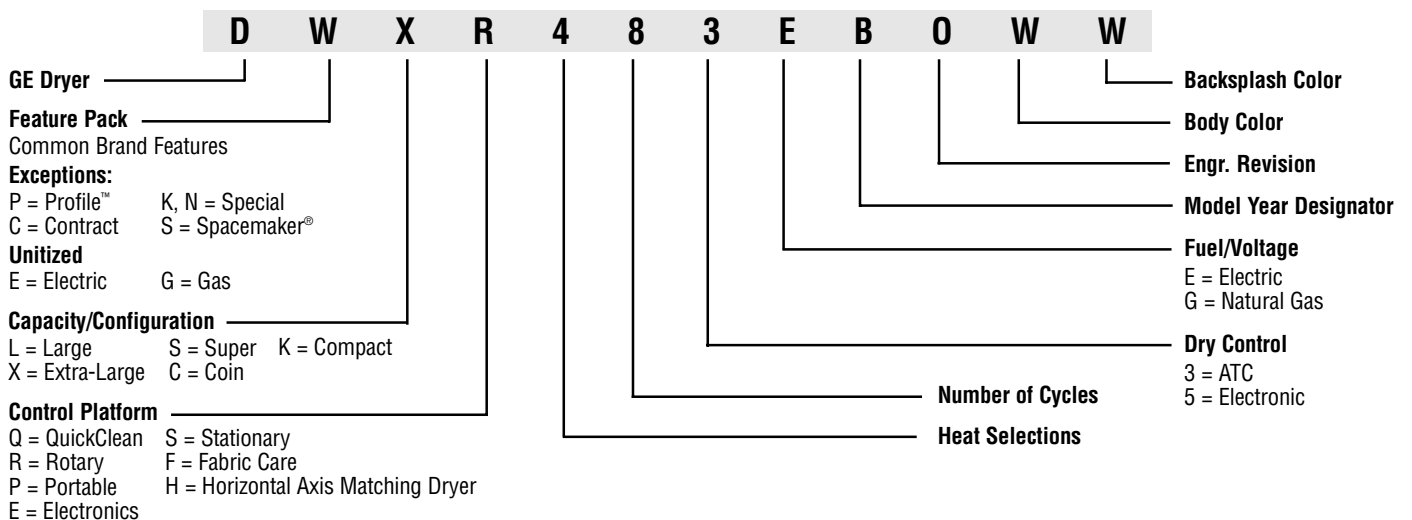
Reading Dishwasher Nomenclature



Reading Washer Nomenclature*

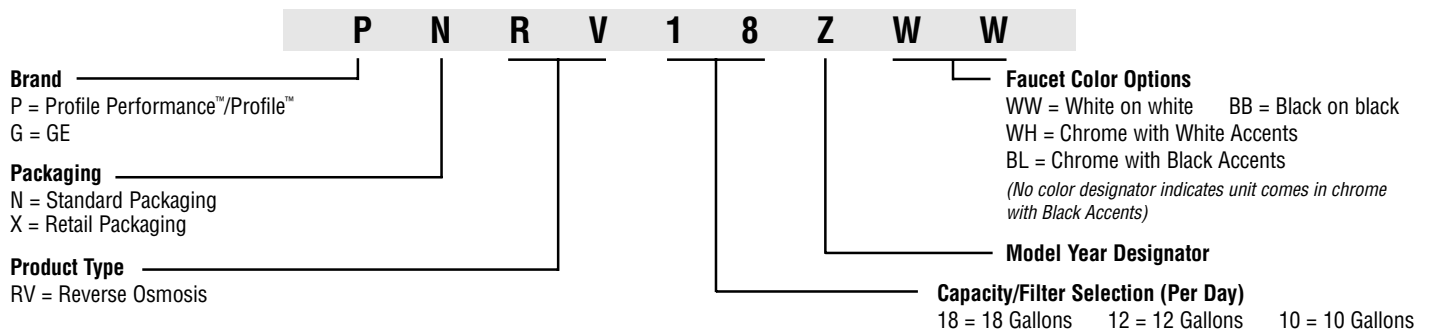


Reading Dryer Nomenclature*

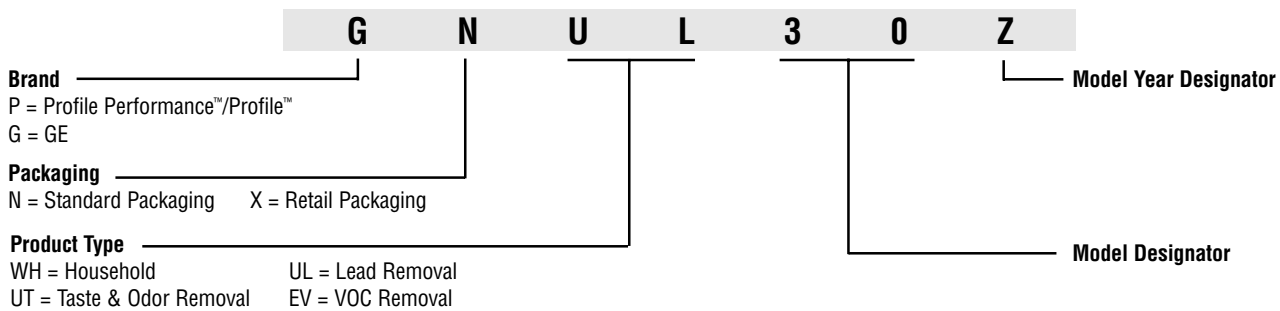


*Does not apply to Wizard Washer or Dryer

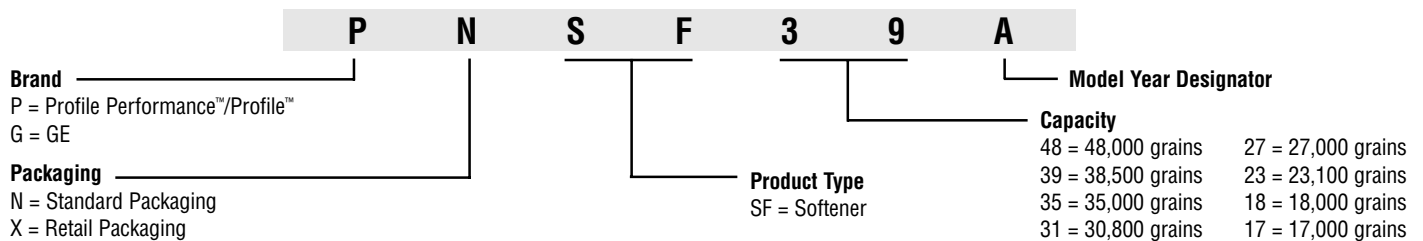
Reading Reverse Osmosis System Nomenclature



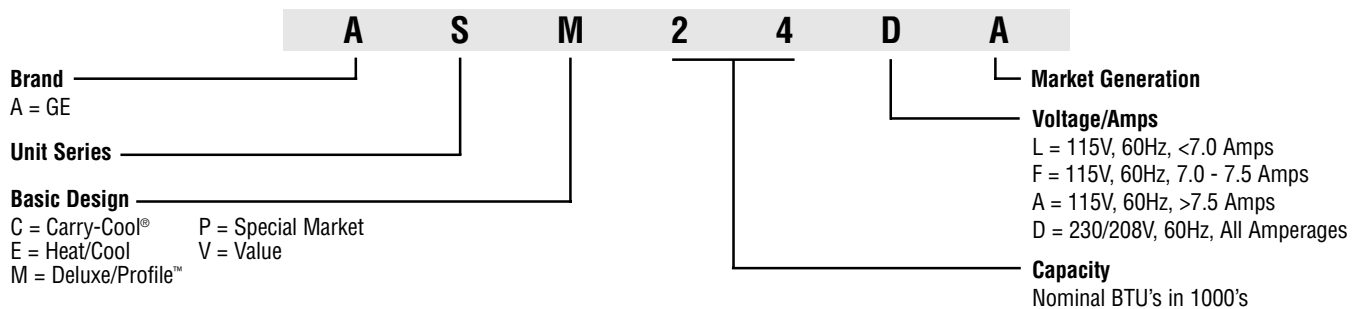
Reading Water Filtration System Nomenclature



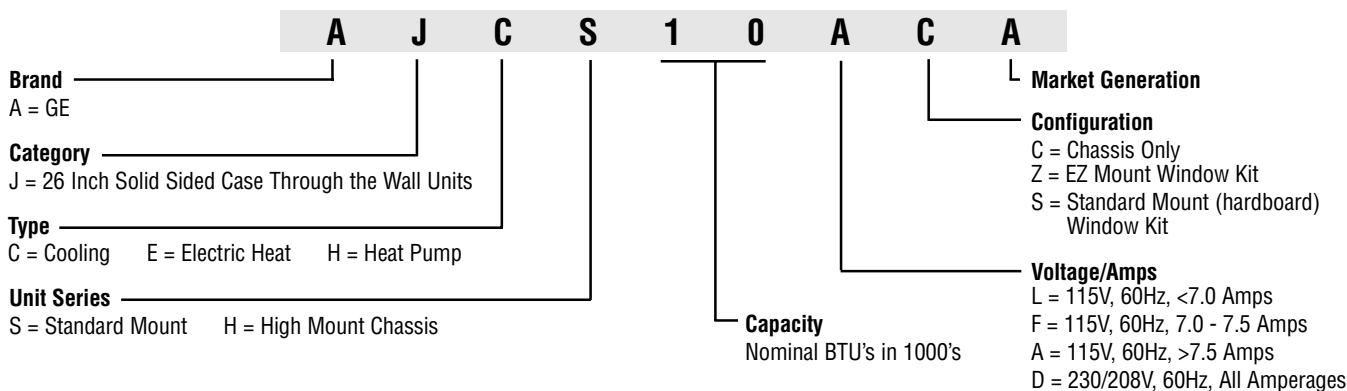
Reading Water Softening System Nomenclature



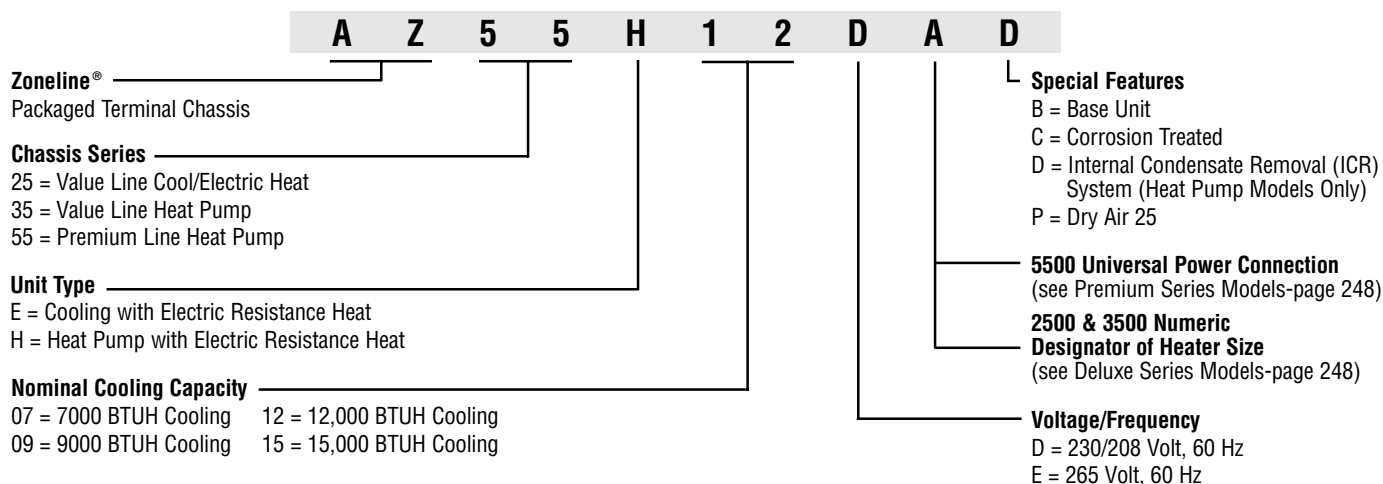
Reading Window Air Conditioners Nomenclature



Reading Built-In Air Conditioners Nomenclature



Reading Zoneline Chassis Nomenclature



For information on how to reach these other GE businesses, visit the GE Internet Web site at www.ge.com

GE Industrial Systems 1-800-431-7867
Electrical distribution, control and circuit protection products, including transformers and switchgear, used in the contractor, industrial and OEM markets.

GE Lighting 1-800-435-2677
Lighting products for home, industrial and commercial applications.

GE Plastics, Resin and Sheet Resin – 1-800-845-0600
Sheet – 1-800-451-3147
Roofing shingles, window frames, Lexan® sheet for windows and Nuvel kitchen countertops.

GE Silicones 1-800-255-8886
Silicone adhesives, conformal coatings, anti-foams, and other applications in the construction markets.

GE Exchange (GE Capital Commercial Direct) 1-800-775-4322
Business Information center for upgrading long-distance telephone service and guaranteed savings.

GE Capital Mortgage Services 1-800-844-6543
Capital and mortgage products for lenders and borrowers.

GE Capital Real Estate 1-800-243-2222
Financial Services for commercial property builders, developers, investors and syndications.

GE Capital Modular Space 1-800-523-7918
Mobile and modular buildings for use at construction sites and for temporary office buildings.

GE Capital Fleet Services 1-800-243-2222
Rental of commercial trucks and tractor/trailers.

GE Commercial Service Program (GE Appliances) 1-800-626-8690
Service from factory-trained technicians for property managers.

Genuine GE Parts (GE Appliances) 1-800-851-6200
GE Parts and Accessories.

Making builders' lives easier.



An industry-leading company committed to customer satisfaction.

America's #1 preferred appliance brand.*

A tradition of innovative, high-quality products with consumer-relevant features.

24-hour accessibility through award-winning technology.

A nationwide network of sales professionals and service technicians wholly dedicated to the builder community.

GE Appliance Service, the largest manufacturer-owned service organization in the appliance industry.

**GE is the appliance brand most often mentioned among the brands rated as offering the best products and services in America.*

Source: Louis Harris Poll – 2001



GE Appliances

General Electric Company
Louisville, Kentucky 40225
GEAppliances.com

Pub. No. 24-C242 PC31703 01/02

Before purchasing an ENERGY STAR®-qualified appliance, read important information about its estimated annual energy consumption or energy efficiency rating that is available from your retailer or at GEAppliances.com

GE has a policy of continuous improvement of its products and reserves the right to change materials and specifications without notice.

© 2002 General Electric Company