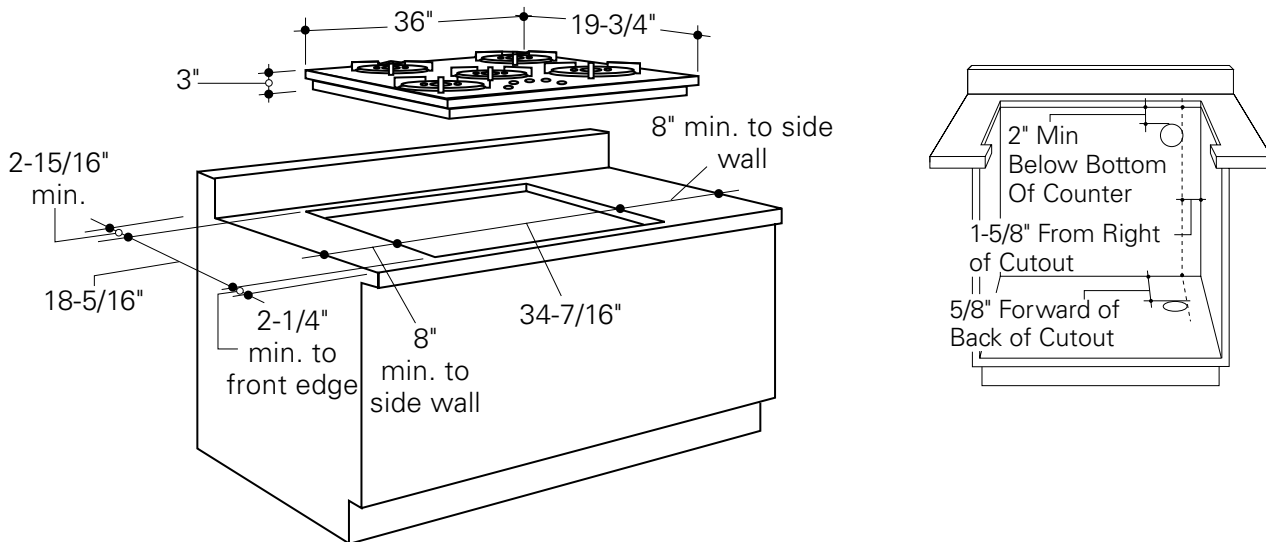




Monogram™

ZGU3650—GE Monogram 36" Updraft Cooktop with 5 Burners

Dimensions and Specifications (in inches)



Note:

Reference, Updraft Cooktop Installation Instructions, packed with product, for complete details.

***LP Gas Conversion JXLP56 must be ordered for LP applications.**

Important:

Must order a white JXBA56WW or black JXBA56BB housing and blower assembly kit. JBXC55 optional outdoor cover accessory may be ordered for installation of motor and blower assembly on outside wall.

†See written warranty for details.

For answers to your Monogram®, GE Profile Performance Series™, GE Profile™ or GE appliance questions, call GE Answer Center® service, 800.626.2000.

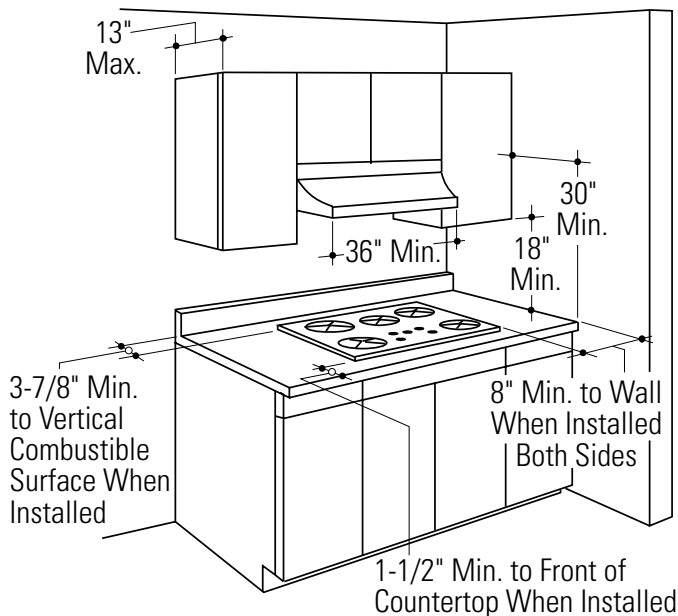
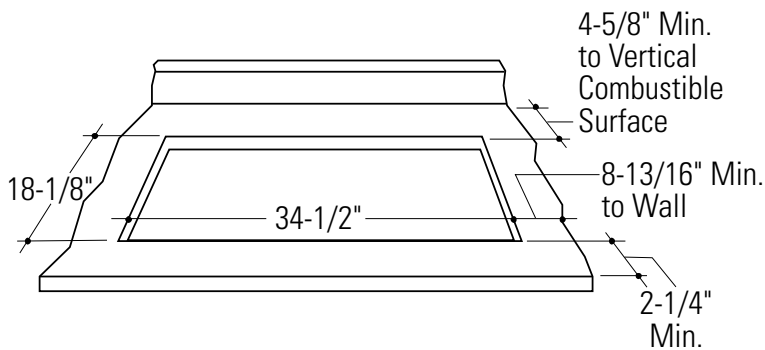
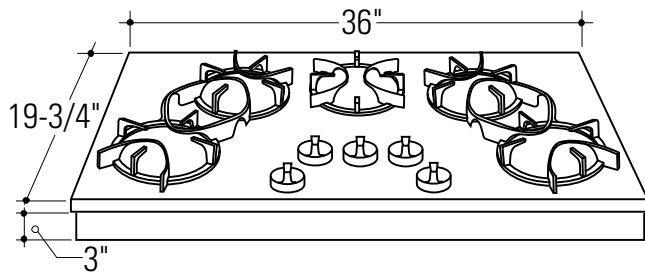




Monogram™

ZGU3650—GE Monogram 36" Updraft Cooktop with 5 Burners

Dimensions and Clearances (in inches)



Advance Planning

- Refer to “Installation Preparation”, found in installation instructions packed with product, for information on appropriate placement and necessary clearances when planning installation.
- Avoid placing cabinetry directly above cooktop when possible.
- If cabinetry is used above the cooking surface:
 - Use cabinets no more than 13” deep.
 - Maintain 30” minimum clearance between the cooktop and unprotected cabinets directly above the cooktop.
 - If clearance is less than 30”, protect cabinet bottoms with flame-retardant millboard at least 1/4” thick, or gypsum board at least 3/16” thick, covered with 28 gauge sheet steel or .02” thick copper.
 - Clearance between cooktop and protected cabinetry must not be less than 24”.
 - An exhaust hood that projects at least 5” beyond front of cabinets can reduce risk of burns caused by reaching over heated surface units.
 - Working areas adjacent to the cooktop should have 18” minimum clearance between cooktop and cabinet bottom.
- Use the Monogram gas updraft cooktop with any 36” or wider exhaust hood, if desired; no special ventilation is required.
- Installation must conform with local codes. In the absence of local codes, the gas cooktop must comply with the National Fuel Gas Code, ANSI Z223.1, latest edition.

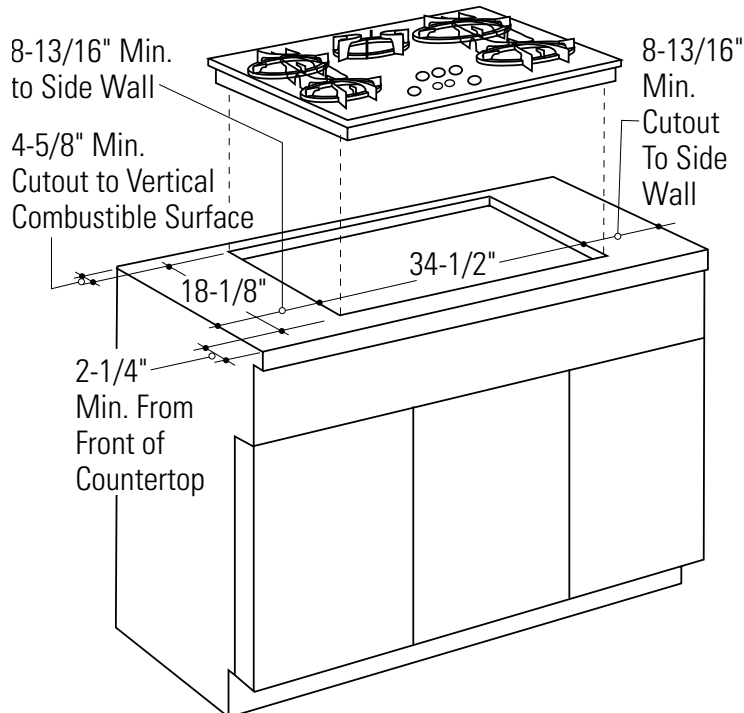
For answers to your Monogram®, GE Profile Performance Series™, GE Profile™ or GE appliance questions, call GE Answer Center® service, 800.626.2000.





Monogram™

ZGU3650—GE Monogram 36" Updraft Cooktop with 5 Burners



Caution:

Wallcoverings, countertops and cabinets should withstand 200°F heat generated by the cooktop.

Cutout Information

Measure carefully when cutting countertop. Make sure sides of opening are parallel and rear and front cuts are exactly perpendicular to sides.

- The Monogram gas cooktop is designed to fit in a 36" or larger base cabinet.
- The countertop cutout for cooktop must be:
 - 34-1/2" wide
 - 18-1/8" deep
 - Allow at least 4-5/8" clearance between back of cutout and wall.
 - Allow at least 8-13/16" clearance from right and left side of cutout to adjacent wall.
 - Allow at least 2-1/4" clearance between front of cutout and front edge of countertop.
- Cooktop requires 3" free space below countertop
- If installing cooktop above a cabinet with drawers, it may be necessary to use a shorted length drawer to allow clearance for gas connection.
- In some cases, two 3/8" I.D. 45° elbows and a pipe nipple may be added between regulator and cooktop to move regulator further back in order to avoid interference with drawer.

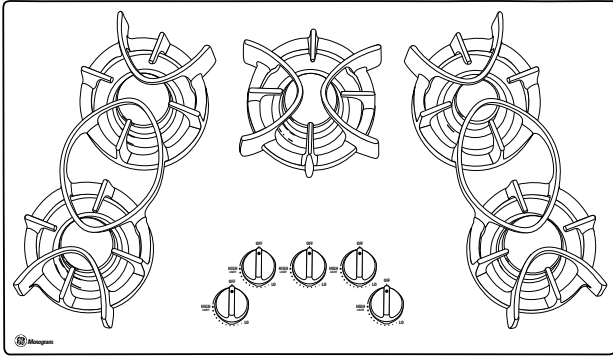
For answers to your Monogram®, GE Profile Performance Series™, GE Profile™ or GE appliance questions, call GE Answer Center® service, 800.626.2000.





Monogram™

ZGU3650—GE Monogram 36" Updraft Cooktop with 5 Burners



Features and Benefits

- 36" Updraft Gas Cooktop
- Five Cooking Areas with Sealed Cooktop Burners
- (1) 12,000 BTU Gas Burner
- (3) 9,500 BTU Gas Burners
- (1) 5,000 BTU Gas Burner
- Burner Flame Stability Chamber
- Electronic Pilotless Ignition
- Tempered Glass Surface
- Continuous Porcelainized Burner Grates
- Front-Mounted Controls
- Model ZGU3650WBWG—White on white
- Model ZGU3650BBBG—Black on black