

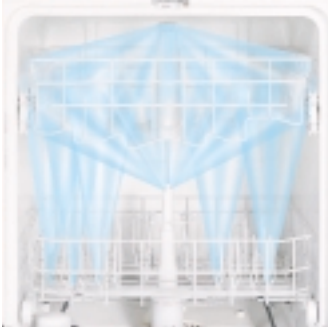
# HOTPOINT®



**Retail**

# Dishwashers

## NEW Hotpoint dishwashers deliver outstanding wash performance...quietly



**New Power Wash II System**  
Three-level wash action with powerful jet action for effective food soil removal and great wash performance.



**Self-Cleaning Filter**  
Effectively traps and removes food soils. No hand-cleaning of any filter by consumer is necessary.



**Hot PreWash option**  
Preheats water allowing dishes to be washed at any time.



**New QuietPower™ motor**  
A quieter, cooler, more energy efficient motor than previous motor.

Not all features available on all models.

## Innovative features consumers expect



### NEW!

#### HDA3400FBB

- 6 cycles/27 options
- Pots & Pans cycle
- Water Saver cycle (on dial)
- Plate Warmer cycle (on dial)
- 5-Hour Delay Start
- Light Wash (on dial)
- Hi-Temp Wash

- Hot Prewash option
- Deluxe Plus upper rack
- Deluxe insulation package
- Deluxe silverware basket
- QuietPower™ Motor

HDA3400FWW – White on white  
HDA3400FAA – Almond on almond



#### HDA3200FBB

- 5 cycles/22 options
- Pots & Pans cycle
- Water Saver cycle (on dial)
- Plate Warmer cycle (on dial)
- Hi-Temp Wash
- Hot Prewash option (on dial)

- Deluxe Plus upper rack
- Deluxe silverware basket
- QuietPower™ Motor

HDA3200FWW – White on white  
HDA3200FAA – Almond on almond



#### HDA1000ZWH

- 1 cycle/2 options
- Normal Wash cycle (on dial)
- Heated Dry On/Off (on rocker)

- Standard upper rack
- Deluxe silverware basket

# Dishwasher specifications

Built-in dishwashers	HDA3400FWW/ HDA3400FBB/ HDA3400FAA	HDA3200FWW/ HDA3200FBB/ HDA3200FAA	HDA1000ZWH
<b>Features</b>			
Power Wash II System	■	■	
Self-cleaning filter	■	■	
Wash levels	3	3	2
Cycles/Options	6/27	5/22	1/2
Pots & Pans cycle	■	■	
Normal Wash cycle	■	■	Dial
Light Wash cycle	■		
Water Saver cycle	Dial	Dial	
Plate Warmer cycle	Dial	Dial	
Rinse Only cycle		Dial	
Delay Start (1-5 Hr.)		■	
Heated Dry	■	Rocker	Rocker
Hi-Temp Wash	■		
Hot Prewash option	■	Dial	
Pushbuttons	6	4	
Rinse Aid dispenser	■	■	■
Rack System			
Upper	Super	Super	Standard
Lower	Deluxe	Deluxe	Deluxe
Silverware Basket	Deluxe	Deluxe	Deluxe
<b>Economical/Quiet</b>			
Sound insulation package	Standard Plus	Standard	
QuietPower™ motor	■	■	
<b>Appearance</b>			
Colors available*	WW, BB, AA	WW, BB, AA	WH
Color panels			
Door	Trimless	Trimless	Trimless
Access	Trimless	Trimless	Textured
<b>Weights &amp; Dimensions</b>			
Approx. shipping wt. (lbs.)	81	81	81
Height w/legs Retracted (in.)	34	34	34
Overall width (in.)	24	24	24
Overall depth (in.)	25-1/8	25-1/8	25-1/8
<b>Accessories</b>			
Requires kit for 1/4" panel capability (w/trim)	GPF325W/B/A	GPF325W/B/A	GPF325W
Requires kit for 3/4" panel capability (trimless)	GPF375	GPF375	GPF375

\*WW = White on white, BB = Black on black, AA = Almond on almond, WH = White/Black, AD = Almond/Black

\*\*Certificate enclosed in Use and Care Book for ordering information.

\*\*\*See written warranty for details.

†For the 1/4" panel capability with trim order GPF325A/W/B. For the 3/4" trimless panel capability order GPF375.

## Dishwasher accessories

### Side panel for all models:

Contains one panel and adjustable toe-kick for end cabinet installation of built-in model.

Does not attach to dishwasher.

Specify color: GPSSAD—Almond GPF5WH—White

### Optional dishwasher accessories:

GPF53—Brackets for under non-wood countertop installation

GPF95—Stainless sink for Spacemaker® dishwasher—single bowl 21-1/4" x 25" Drain hole on right; elbow and strainer included

GPF96—Stainless sink for Spacemaker® dishwasher—single bowl 21-1/4" x 25" Drain hole on left; elbow and strainer included

GPF97—Stainless sink for Spacemaker® dishwasher—double bowl 21-1/4" x 33" Elbow and strainer included

GPF100—Heavy spring kit for custom door panel weighing more than 4 lbs.

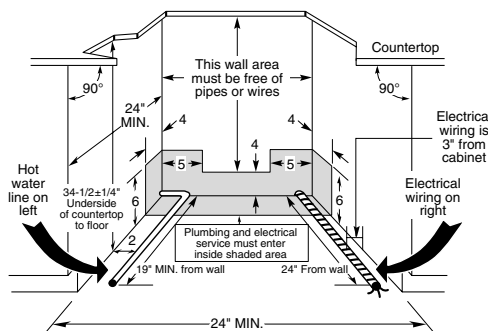
GPF200—Almond/Black/White side tub flange gasket kit

### Wood panel capability:

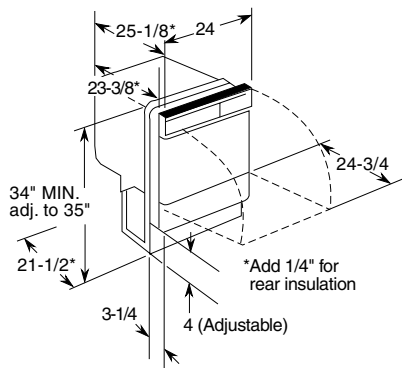
GPF325A/B/W—GE 1/4" panel trim kit (door and access)

GPF375—GE 3/4" trimless panel trim kit (door and access)

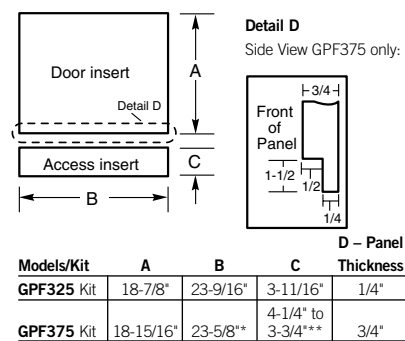
Dishwasher rough-in information (in inches)



Dishwasher dimensions (in inches)



Wood insert cut-out dimensions



## Specifications and electrical rating

120 Volts AC, 60 Hertz, 8.6 Amps total connected load 500 Watt Calrod® heater. For use on adequately wired 120 volt, 15 amp circuit having two-wire service with a separate ground wire. This appliance must be grounded for safe operation.

Dishwasher must not be installed more than 10 feet from sink for proper drainage. All plumbing and electrical work must be in accordance with local codes. Dishwasher includes drain hose and leveling legs.

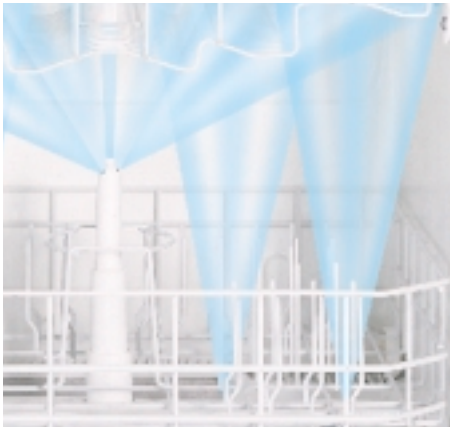
**Note:** Before installing, consult installation instructions packed with product for current dimensional data.



Listed by  
Underwriters  
Laboratories

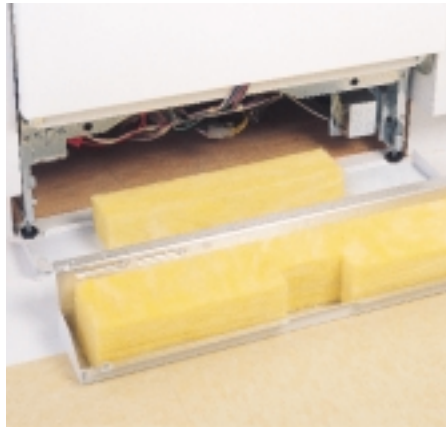


## Wash performance, quiet operation and dependability make Hotpoint a great choice.



### Wall of Water

Completely covers any item in dishwasher.



### Sealed Toe kick & access panel insulation

Fiberglass insulation in toe kick and access panel minimizes operating noise.



### Durable tub and door liner

Guaranteed against leakage from cracking, peeling, chipping or rusting for ten years.\*

Not all features available on all models  
\* See warranty for details.

## Visit us at [www.hotpoint.com](http://www.hotpoint.com)



### We're surfer-friendly!

Completely comprehensive, this site provides you with virtually everything you need to know about Hotpoint® appliances, parts, accessories and service. And, it's also surfer-friendly, so your searches won't be endless—they'll be effortless!



### The GE Answer Center® Information Service 800.626.2000. ([geappliances.com](http://geappliances.com))

Questions? Call any time.  
Before or after you buy any GE or Hotpoint product, ask us about the features, product comparisons, pricing and where to find it. Call us any time.  
We never close.

## Industry leading support—

### GE Genuine Parts 800.626.2002.

Enhance, upgrade or fix it. Check out our accessories!

Accessories can make great GE or Hotpoint products even better. Replacement parts for GE, Hotpoint and most other brands, too. Fast delivery, convenient, direct.

### GE Appliance Service 800.432.2737 (800.GE.CARES) Same day or next day service.

If you ever need product service, we'll come where and when you want—at your convenience. We're the largest manufacturer-owned service organization in the appliance industry. Same or next day service in most cases.

# HOTPOINT®