

GSD3260J GE Nautilus™ Built-In Dishwasher

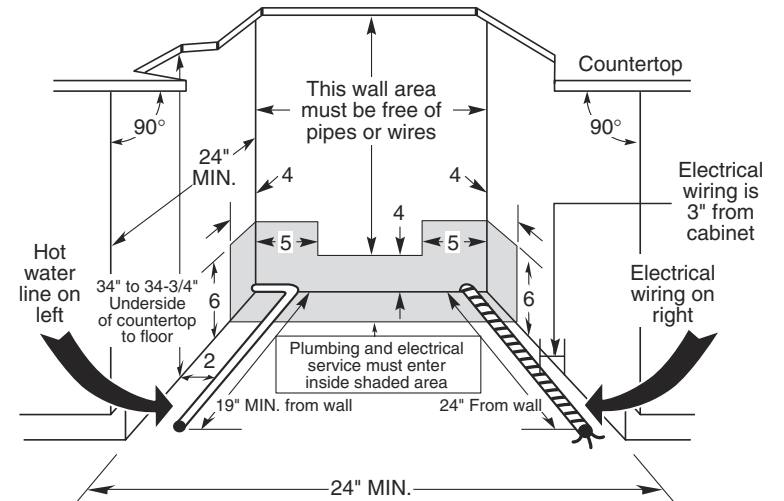
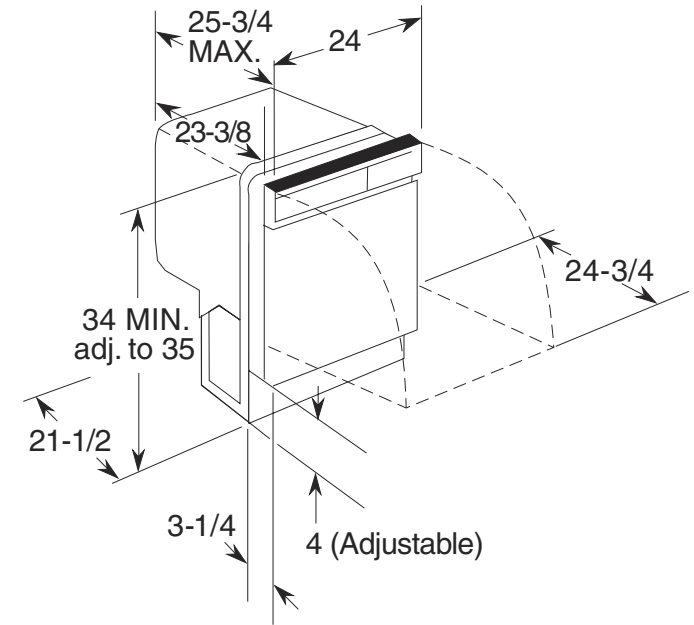
Dimensions and Installation Information (in inches)

Electrical Rating

Voltage AC.....	120
Hertz.....	60
Total connected load amperage.....	6.2
Calrod® heater watts max.....	500

For use on adequately wired 120-volt, 15-amp circuit having 2-wire service with a separate ground wire. This appliance must be grounded for safe operation.

Note: Dishwasher must not be installed more than 10 feet from sink for proper drainage. All plumbing and electrical work must be in accordance with local codes.



For answers to your Monogram®, GE Profile™ or GE® appliance questions, visit our website at ge.com or call GE Answer Center® service, 800.626.2000.



Listed by
Underwriters
Laboratories



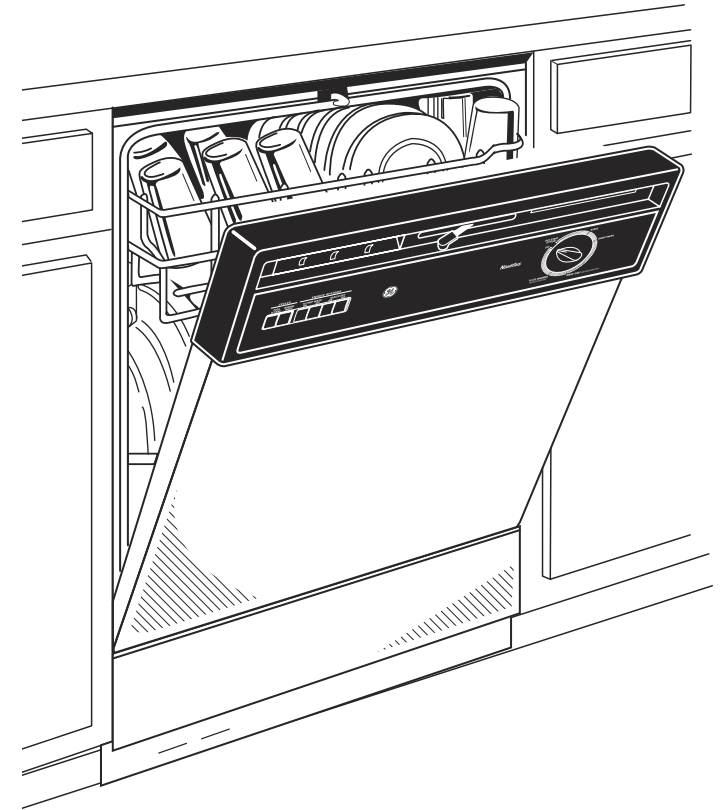
As an ENERGY STAR® partner, GE has determined that this product meets the ENERGY STAR guidelines for energy efficiency.

GSD3260J

GE Nautilus™ Built-In Dishwasher

Features and Benefits

- Trimless door design - Features sleek, classic panels for an instant built-in look
- PowerScrub™ wash system - Cleans thoroughly with two wash arms
- HotStart™ option - Preheats water before the main wash cycle for dependable performance every time
- Piranha™ hard food disposer - Grinds leftover food into small particles that are easily washed away
- Deluxe upper rack - Includes a deep, tiered upper rack
- QuietPower™ I sound package - Softens the sound of the dishwasher for a more peaceful kitchen
- Pots and Pans cycle - Scours off burned-on food with hot water and maximum water pressure
- Hi-Temp Wash option - Allows detergent to work better so dishes come out clean
- QuietPower™ motor - Runs quietly and efficiently to keep the kitchen peaceful and quiet
- Model GSD3260J - Stainless steel



imagination at work