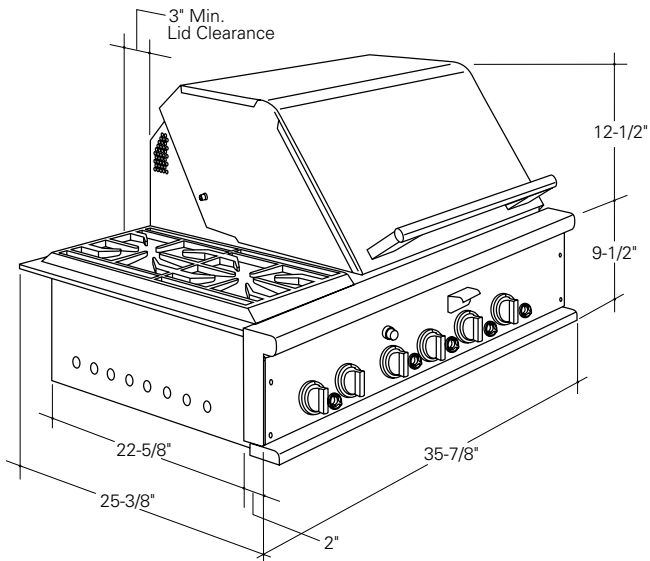




**Monogram™**

## ZGG36N21CSS - GE Monogram 36" Outdoor Cooking Center

### Dimensions and Specifications (in inches)



#### 36" Natural Gas Model:

#### 2 Grill Burners, 1 Infrared Burner and 2 Side Burners

- Monogram Outdoor Cooking Centers are designed to be installed on a grill cart or into an enclosure.
- **These cooking centers are designed for outdoor use only.** Do not locate the grill in a building, garage or other enclosed area.
- Ensure that fresh air ventilation is adequate.
- Consider exposure to wind and proximity to traffic paths.
- The minimum clearances to combustibles must be maintained at all times.
- Do not install a grill below overhead unprotected combustible construction.
- The installation must conform to local codes or in the absence of local codes, with the national fuel gas code, ANSI Z223 latest edition.

Note: Reference pub. no. 49-8843-1, Monogram Outdoor Cooking Center Installation Instructions, for complete details. Reference pub.no. 49-8841-1, Monogram Outdoor Cooking Center Cart Installation Instructions, for complete details.

For answers to your Monogram®  
GE Profile Performance Series™  
GE Profile™ or GE appliance questions, call  
GE Answer Center® service, 800.626.2000.



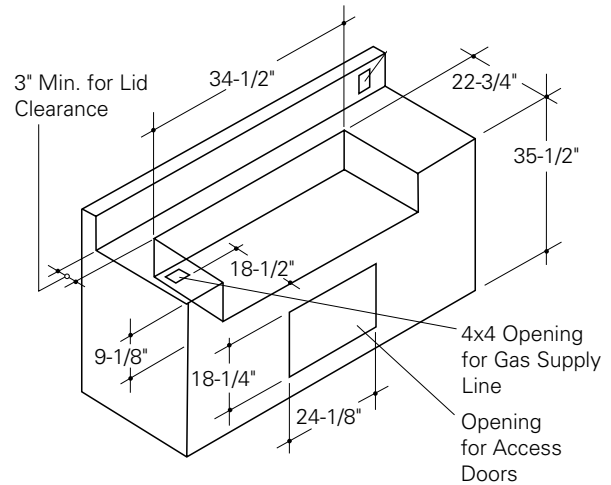
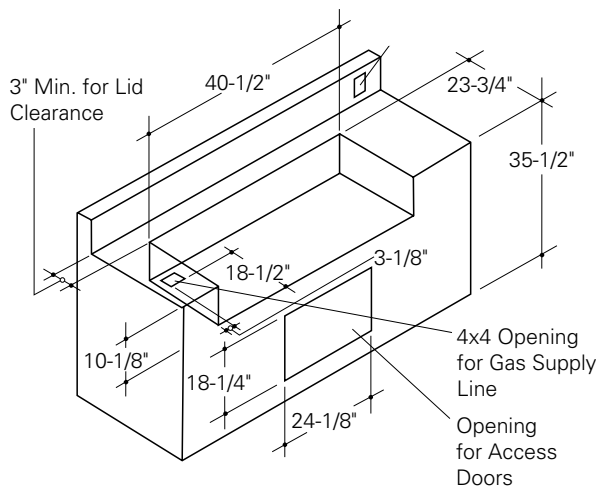
Listed by  
Underwriters  
Laboratories



**Monogram™**

## ZGG36N21CSS - GE Monogram 36" Outdoor Cooking Center

### Dimensions and Specifications (in inches)



#### Installation in a combustable enclosure. ZX36JYSS insulated jacket is required.

- Combustible enclosures require insulated jackets. ZX36JYSS for 36" models and ZX48JYSS for 48" models. The insulated jacket must be supported from the bottom by a solid deck or ledge on each side beneath the jacket.
- Construct the enclosure as shown and place the insulated jacket into the enclosure. Place the cooking center into the jacket. No installation hardware is required.

#### Installation in a non-combustible enclosure.

- In a non-combustible (masonry) enclosure, the grill drops into the opening and hangs from its side flanges. A deck is not required for support.

#### Clearances - All Models

- Allow 3" at the rear for lid clearance.
- Allow at least 12" clearance at the back of the grill when exhaust is directed to a window or a surface that is difficult to clean.
- Allow at least 6" clearance on each side to any non-combustible material located above the cooking surface for counterspace. Rotisserie models also require 6" clearance for placing and handling the motor and skewer.
- Allow at least 12" clearance on each side to combustable vertical materials.

For answers to your Monogram®  
GE Profile Performance Series™  
GE Profile™ or GE appliance questions, call  
GE Answer Center® service, 800.626.2000.

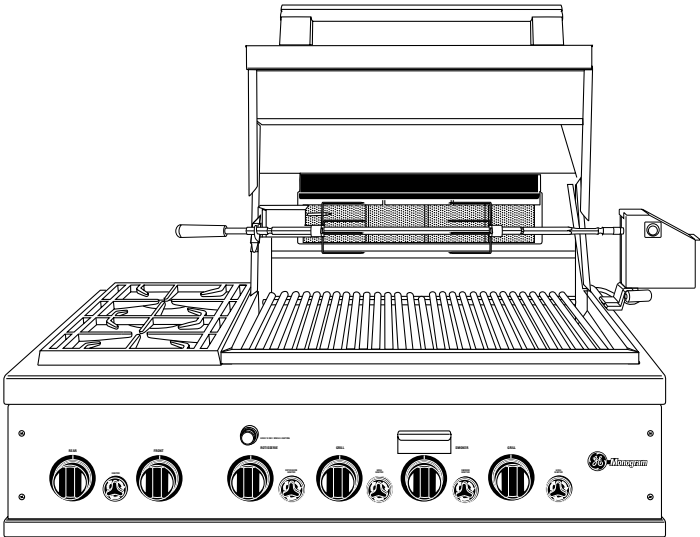


Listed by  
Underwriters  
Laboratories



**Monogram™**

## ZGG36N21CSS - GE Monogram 36" Outdoor Cooking Center



### Features and Benefits

- Natural Gas Model
- 2 (20,000 BTU) Cast-Iron Gas Grill Burners
- 14,000 BTU Infrared Gas Rotisserie Burner
- 5,000 BTU Stainless Steel Gas Smoker Burner
- 2 (15,000 BTU) Cast Iron Gas Cooktop Burners
- Warming Rack
- Rotary Multi-Spark Piezo Ignition
- Brass Control Valves
- Steel, Porcelain-Enameled Grill Grates
- Cast Iron, Porcelanized Cooktop Burner Grates
- Stainless Steel, Slide-Out Drip Tray
- Heavy Duty 304 Stainless Steel Construction
- Flexible Installation Options
- Model ZGG36N21CSS—Natural Gas
- Model ZGG36L21CSS—Liquid Propane Gas