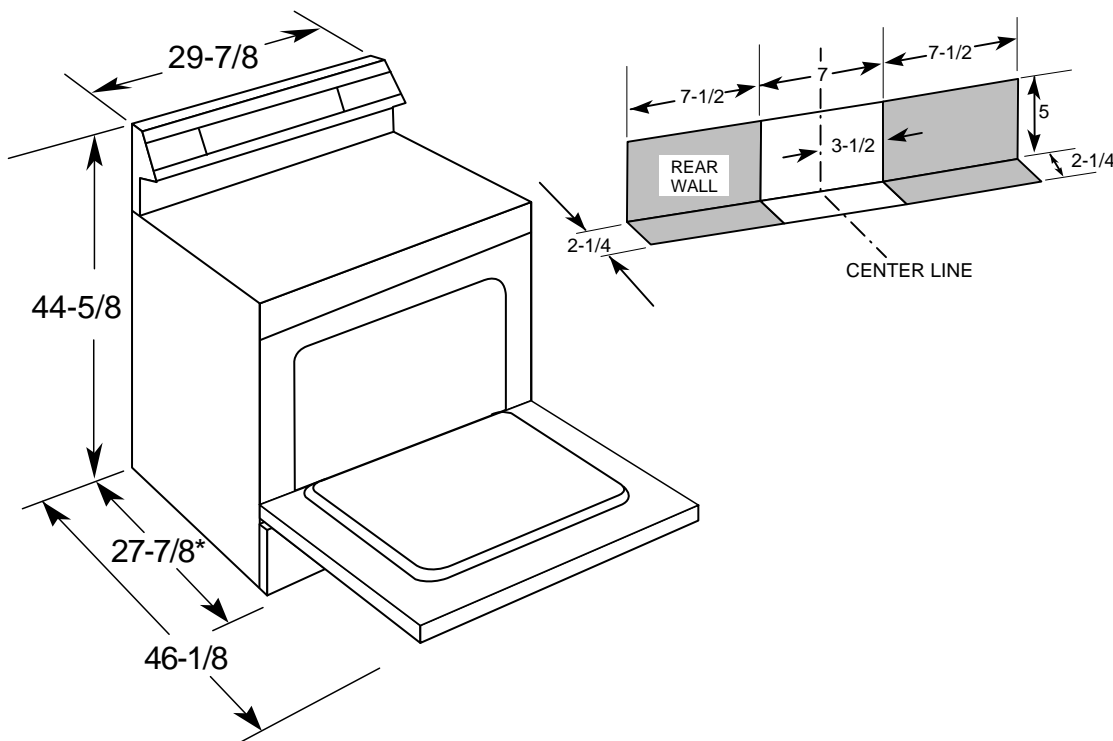


# HOTPOINT

## RB502S—30" Free-Standing Electric Range

### Dimensions (in inches)



\*Dimensions from wall to front of closed oven door handle.

KW Rating	
240V	9.7
208V	7.3

**Receptacle Locations:** For 30" Free-Standing Ranges locally approved flexible service cord or conduit must be used because terminals are not accessible after range installation. See shaded area in drawing for location of electrical outlet box. Recommended outlet locations allow range to be installed directly against rear wall.

**Note:** 30" Ranges conform to U.L. requirements for 0" spacing from adjacent walls above countertops. However, some kitchen cabinet finishes can be damaged by heat from the range heating elements. It is recommended that a clearance of at least 1-1/2" be maintained to walls. Where varnished wood or plastic film finishes are used, a minimum clearance of 6" should be maintained.

**Installation Information:** Before installing, consult installation instructions packed with product for current dimensional data.

For answers to your GE appliance questions, call GE Answer Center® service, 800.626.2000.



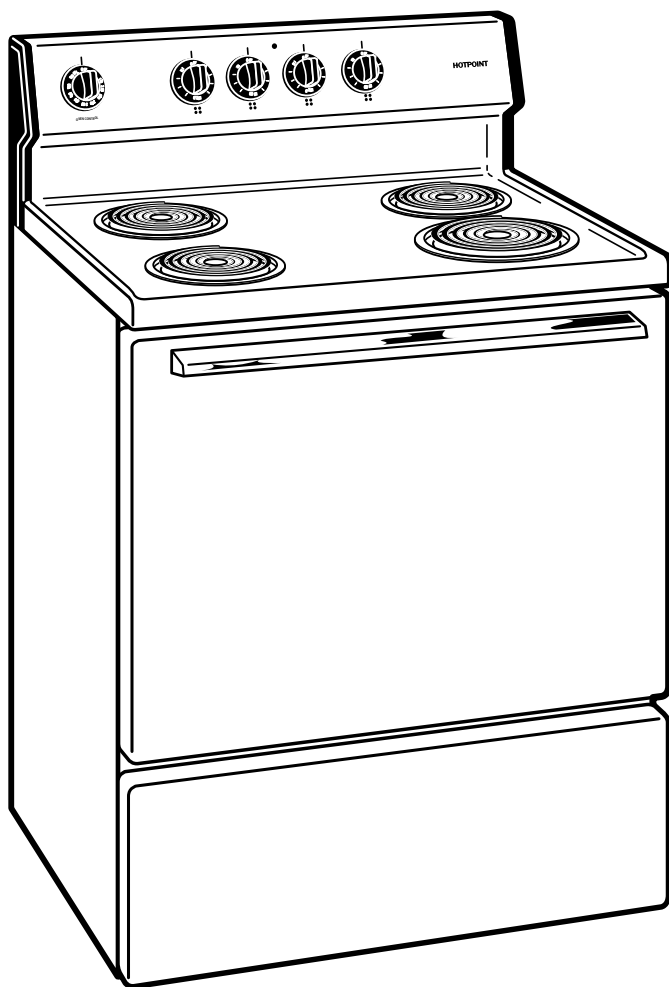
All GE ranges are equipped with an Anti-Tip device. The installation of this device is an important, required step in the installation of the range.



Listed by  
Underwriters  
Laboratories

# HOTPOINT

## RB502S—30" Free-Standing Electric Range



### Features and Benefits

- Available In White and Almond
- Lift-Up Cooktop
- Standard Clean Oven
- High Spill Rims
- Auto Self-Clean
- Preheated Oven Light
- Two Oven Shelves
- One 8" and Three 6" Plug-In Heating Elements
- Removable One-Piece Chrome Drip Bowls
- Solid Color-Matched Oven Door
- Chrome Visor Door Handle