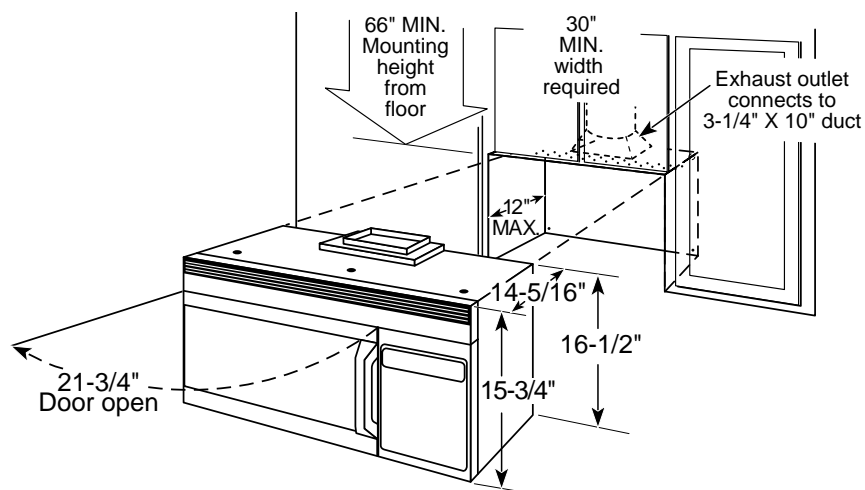


# HOTPOINT®

## RVM1625BD/WD – Hotpoint 1.6 Cu. Ft. Over-the-Range Microwave Oven

### Dimensions (in inches)



**Important Information:** When installing the Counter Saver Plus microwave oven over a range, allow minimum of 2" from bottom of Counter Saver Plus microwave oven to top of range backguard to allow for removal of light covers.

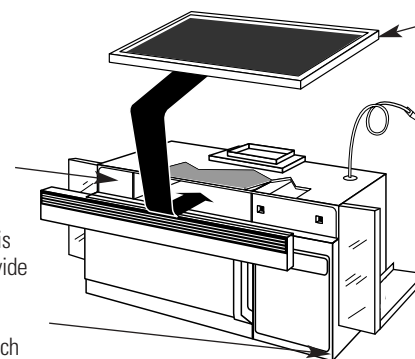
**Installation Information:** This information is not intended to be used for installing unit described. Before installing, consult installation instructions packed with product/kit for current dimensional data.

### Optional Accessories (Available at additional cost)

#### Filler Panel Kits

JX48BL–Black Filler Panel Kit  
JX48WH– White Filler Panel Kit

When replacing a 36" range hood, this kit fills in the additional width to provide a custom, built-in appearance. For installation between cabinets only; not for end-of-cabinet installation. Each kit contains two, 3"-wide filler panels.



To be used when the Counter Saver Plus™ microwave oven cannot be vented to the outside.

**Ventilation Options:** The Counter Saver Plus™ microwave oven is designed for adaptation for the following three types of ventilation:

**Outside Exhaust** (Vertical)

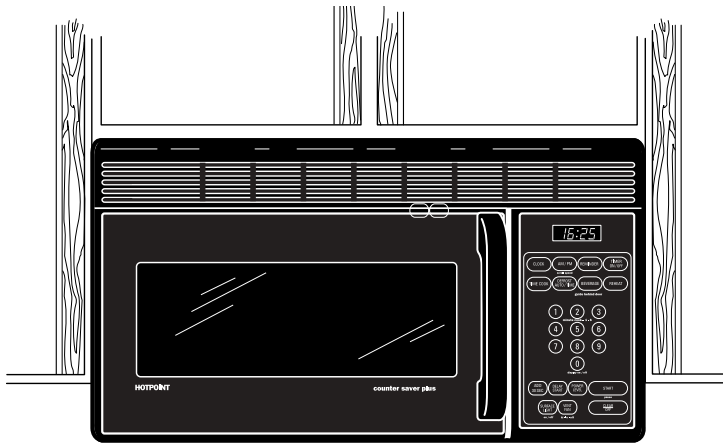
**Outside Exhaust** (Horizontal)

**Recirculating** (Non-vented ductless—see Filter Kit Drawing)

**Note:** Before Installing, consult installation instructions for current dimensional data on these three types of ventilation

# HOTPOINT®

## RVM1625BD/WD – Hotpoint 1.6 Cu. Ft. Over-the-Range Microwave Oven



### Features and Benefits

- 1.6 cu. ft. Oven Cavity/Powerful 1000 Watts\*
- Circuwave™ Plus Cooking System
- Convenience Cooking Controls for Popcorn and Reheat
- Electronic Controls with Digital Scrolling Display
- Time Cook I & II
- Delay Start
- Model RVM1625WD – White
- Model RVM1625BD – Black