



INSTALLATION INSTRUCTIONS

36", 48" Monogram Island Vent Hood

ZVIS361SRSS

ZVIS481SRSS

ENGLISH/ESPAÑOL

Safety Information

BEFORE YOU BEGIN

Read these instructions completely and carefully.

- **IMPORTANT** — Save these instructions for local inspector's use.
- **IMPORTANT** — Observe all governing codes and ordinances.
- **Note to Installer** — Be sure to leave these instructions with the Consumer.
- **Note to Consumer** — Keep these instructions with your Owner's Manual for future reference.
- **Skill Level** — Installation of this appliance requires basic mechanical and electrical skills.
- **Completion Time** — 1 to 3 Hours.
- Proper installation is the responsibility of the installer. Product failure due to improper installation is not covered under the warranty.
- For Monogram local service in your area, visit monogram.com.
- For Monogram Parts and Accessories, visit monogram.com/use-and-care/parts.

▲ CAUTION Due to the weight and size of these vent hoods and to reduce the risk of personal injury or damage to the product, **TWO PEOPLE ARE REQUIRED FOR PROPER INSTALLATION.**

▲ WARNING To reduce the risk of fire or electrical shock, do not use this range hood with any external solid-state speed control device. Any such alteration from original factory wiring could result in damage to the unit and/or create an electrical safety hazard. **TO REDUCE THE RISK OF FIRE, USE ONLY METAL DUCTWORK.**

▲ WARNING TO REDUCE THE RISK OF FIRE, ELECTRICAL SHOCK OR INJURY TO PERSONS, OBSERVE THE FOLLOWING:

- A. Use this unit only in the manner intended by the manufacturer. If you have any questions, contact the manufacturer.
- B. Before servicing or cleaning the unit, switch the power off at the service panel and lock the service disconnecting means to prevent the power from being switched on accidentally. When the service disconnecting means cannot be locked, securely fasten a prominent warning device, such as a tag, to the service panel.

▲ CAUTION FOR GENERAL VENTILATING USE ONLY. DO NOT USE TO EXHAUST HAZARDOUS MATERIALS, EXPLOSIVE MATERIALS OR VAPORS.

▲ WARNING TO REDUCE THE RISK OF FIRE, ELECTRICAL SHOCK OR INJURY TO PERSONS, OBSERVE THE FOLLOWING:

- Installation work and electrical wiring must be done by qualified person(s) in accordance with all applicable codes and standards, including fire-rated construction.
- Sufficient air is needed for proper combustion and exhausting of gases through the flue (chimney) of fuel burning equipment to prevent back-drafting. Follow the heating equipment manufacturer's guidelines and safety standards, such as those published by the National Fire Protection Association (NFPA), the American Society for Heating, Refrigeration and Air Conditioning Engineers (ASHRAE) and the local code authorities. When applicable, install any makeup (replacement) air system in accordance with local building code requirements.
- When cutting or drilling into walls or ceilings, do not damage electrical wiring and other hidden utilities.
- Ducted systems must always be vented to the outdoors.
- Local codes vary. Installation of electrical connections and grounding must comply with applicable codes. In the absence of local codes, the vent should be installed in accordance with National Electrical Code ANSI/NFPA 70-1990 or latest edition.

▲ CAUTION To reduce risk of fire and to properly exhaust air, be sure to duct air outside — do not vent exhaust air into spaces within walls or ceilings or into attics, crawl spaces or garages.

READ AND SAVE THESE INSTRUCTIONS

Design Information

CONTENTS

Safety Information	2	Step 3, Install Lower Support Frame	13
Design Information		Step 4, Size and Install Ductwork	14
Models Available	3	Step 5, Connect Electrical.....	14
Product Dimensions	3	Step 6, Install Decorative Duct Covers	15
Advance Planning		Step 7, Install Damper.....	15
Adjustable Blowers	4	Step 8, Install Hood	16
Ductwork Planning	4	Step 9, Slide Duct Cover Down	16
Ceiling Framing for Adequate Support	4	Step 10, Install Blower(s) (If Integral).....	16
Installation Preparation		Step 11, Install Grease Filters.....	17
Power Supply	5	Step 12, Finalize Installation	17
Tools and Materials Required	5	Installation Instructions	
Remove the Packaging	6	Installation – Recirculating	18
Check Installation Hardware	6	Step 1, Assemble & Install Recirc Box.....	18
Determine Installation Height	7	Step 2, Mount Template.....	18
Duct Cover Dimensions	7	Step 3, Install Support Frame	19
Install Ceiling Support Structure.....	10	Step 4, Install Ductwork	19
Installation Instructions		Step 5, Install Duct Covers.....	19
Installation – Vented to the Outside	13	Step 6, Install Hood & Slide Duct Cover.....	19
Step 1, Mount Template.....	13	Step 7, Install Blower(s)	19
Step 2, Install Upper Support Frame	13	Step 8, Install Filters.....	20
		Step 9, Finalize Installation	20
		Make Up Air Technology (for 36" only)	21

MODELS AVAILABLE

Model ZVIS361, ZVIS481

These hoods may be installed to vent to the outdoors, or **ZVIS361** may be installed for recirculating operation with accessory kit **UXIN36** and charcoal filters **UXCF91**.

ZVIS361 can be installed over any 36" Monogram electric or gas cooktop.

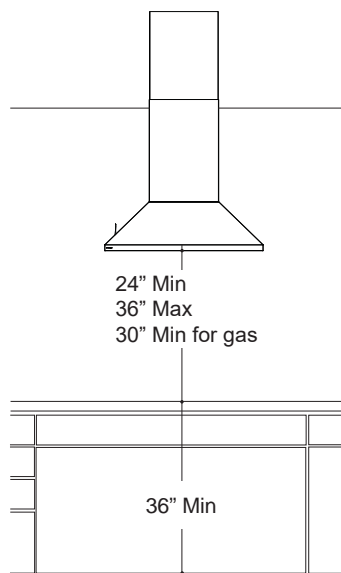
ZVIS481 can be installed over any 48" Monogram electric or gas cooktop.

- Reversible duct covers accommodate recirculating operation.
- The telescopic duct covers conceal the ductwork running from the top of the hood to the ceiling.
- The supplied duct cover is sized to reach ceiling heights of 10 feet. See the Installation Heights table in the Installation Preparation section.

PRODUCT DIMENSIONS AND CLEARANCES

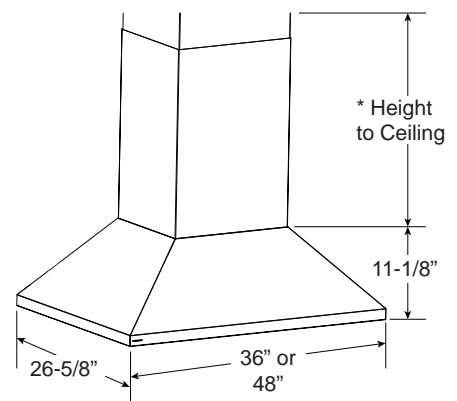
The vent hood must be installed 24" minimum and 36" maximum above the cooking surface. It must be installed 30" minimum above a gas range.

NOTE: Installation height should be measured from the cooking surface to the lowest part of the hood.



Duct Cover Accessories

The 10' ceiling duct cover is included with the hood. See the Installation Heights table in the Installation Preparation section for guidance on all duct cover options based on ceiling height and height above cooking surface.



Advance Planning

ADJUSTABLE BLOWER

Blower accessories sold separately are required for use

36"

- WB26X40949 Integral 610 CFM adjustable blower
- ZXR6101 In-line 610 CFM adjustable blower
- ZXR1220RSS In-line 1220-CFM adjustable blower

48"

- WB26X40949 Integral 610 CFM adjustable blower (must purchase two)
- ZXR1220RSS In-line 1220-CFM adjustable blower

DUCTWORK PLANNING

- This hood is designed to be vented vertically through the ceiling. Use locally supplied elbows to vent horizontally through the rear wall.
- Determine the exact location of the vent hood.
- Plan the route for venting exhaust to the outdoors.
- Use the shortest and straightest duct route possible. For satisfactory performance, duct run should not exceed 150' equivalent length for any duct configurations.
- Refer to “**Duct Fittings**” chart to compute the maximum permissible length for duct runs to the outdoors.
- Use rigid metal ductwork only.
- This vent hood must use a 8” round duct for **ZVWS361** and 10” round duct for **ZVWS481**.
- Install the house duct to run horizontally between ceiling joists or straight up through the roof.
- Install a wall or roof cap with damper at the exterior opening. Order the wall or roof cap and any transition and length of duct needed in advance.
- When applicable, install any makeup (replacement) air system in accordance with local building code requirements. Visit **GEAppliances.com** for available makeup air solutions.

▲WARNING TO REDUCE THE RISK OF FIRE, USE ONLY RIGID METAL DUCTWORK.

WALL FRAMING FOR ADEQUATE SUPPORT

- This vent hood is heavy. Adequate structural support must be provided. The hood must be secured to a vertical stud in the wall. See page 9.
- We strongly recommend that the vent hood with duct cover be on site before final framing and wall finishing. This will also help to accurately locate the ductwork and electrical service.
- Installation will be easier if the vent hood is installed before the cooktop and countertop are installed.

ADVANCE PLANNING

A duct cover accessory may be required for your hood installation depending on ceiling height.

Installation Preparation

POWER SUPPLY

IMPORTANT – (Please read carefully)

⚠ WARNING FOR PERSONAL SAFETY, THIS APPLIANCE MUST BE PROPERLY GROUNDED.

Remove house fuse or open circuit breaker before beginning installation.

Do not use an extension cord or adapter plug with this appliance. Follow National electrical codes or prevailing local codes and ordinances.

Electrical supply

This vent hood must be supplied with 120V, 60Hz, and connected to an individual, properly grounded branch circuit, and protected by a 15 or 20 amp circuit breaker or time delay fuse.

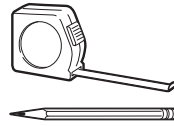
- Wiring must be 2 wire with ground.
- If the electrical supply does not meet the above requirements, call a licensed electrician before proceeding.
- Route house wiring as close to the installation location as possible, in the ceiling or back wall. Refer to Wiring Locations on page 9.
- Connect the hood wiring to the house wiring in accordance with local codes.

Grounding instructions

The grounding conductor must be connected to a grounded metal, permanent wiring system, or an equipment-grounding terminal or lead on the hood.

⚠ WARNING The improper connection of the equipment-grounding conductor can result in a risk of electric shock. Check with a qualified electrician or service representative if you are in doubt whether the appliance is properly grounded.

TOOLS AND MATERIALS REQUIRED (NOT SUPPLIED)



Pencil and tape measure



Safety glasses



Gloves



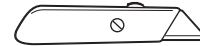
Spirit level



Hammer



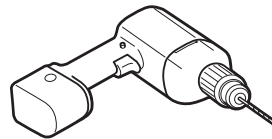
Phillips screwdriver



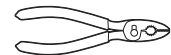
Utility knife



Flashlight



Electric drill with 5/32" bits, #2 Phillips, T20 torx, 7mm socket and 6" extension



Pliers



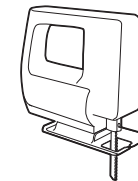
Stepladder



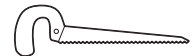
Masking tape



Wire cutter/stripper



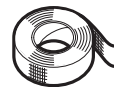
Saber saw or keyhole saw



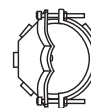
Plumb



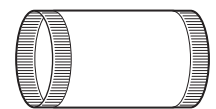
UL-listed wire nuts



Aluminized duct tape



Strain relief for junction box



8" (36") or 10" (48") round metal duct, length to suit installation



120V, 60Hz. 15- or 20-Amp, 2-wire with ground, properly grounded branch circuit

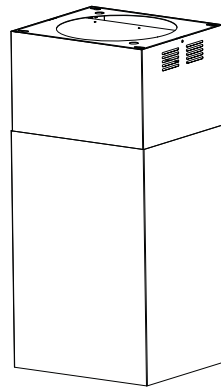
Installation Preparation

REMOVE THE PACKAGING

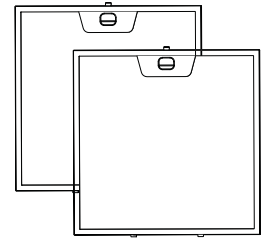
CAUTION Wear gloves to protect against sharp edges.

The following items are included in the box.

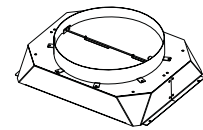
- Duct cover assembly with upper and lower cover and support frame
- Mesh grease filters
- Damper assembly
- Hardware bag
- Hood body assembly
- Installation template



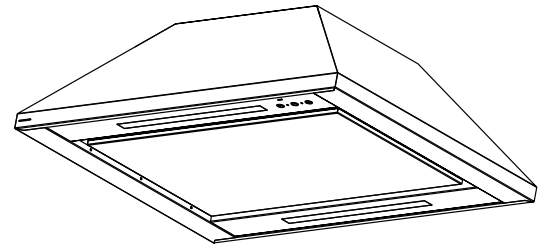
Support frame and Duct Cover Assembly



Mesh Grease Filter
2 Pieces (36" model) or
3 Pieces (48" model)



Damper Assembly
8" (36" model) or
10" (48" model)

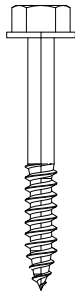


Hood Body Assembly

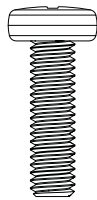
Hardware bag contents



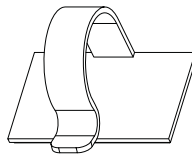
4 Pieces T20 torx/
7mm hex head
Installation Hood to
Chimney Screw



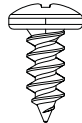
4 Pieces T20 torx/
7mm hex head
Installation Ceiling
Screw



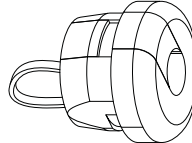
22 Pieces Blower
and Support Frame
Screw M4 x 13mm



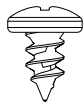
1 Piece Self Adhesive
Cable Clip



2 Pieces Duct
Cover Stop Screw
3.1 x 9.5mm



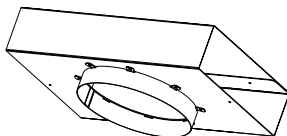
1 Piece Plastic Strain
Relief Bushing Cable
Holder 6N-4



6 Pieces
Damper Screw
2.9 x 6mm

ACCESSORIES NOT INCLUDED

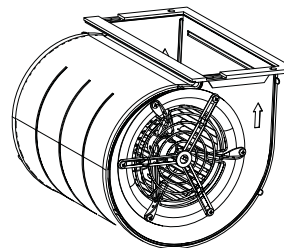
- Blower assembly (Integral or Inline)
- Recirculation box and charcoal filters (36" only)



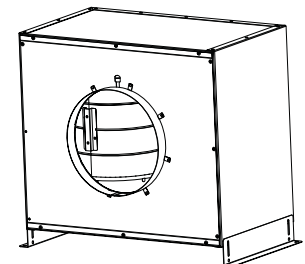
Recirculation Box
(UXIN36)



2 Charcoal filters
(UXCF91)



Integral Blower
(WB26X40949)

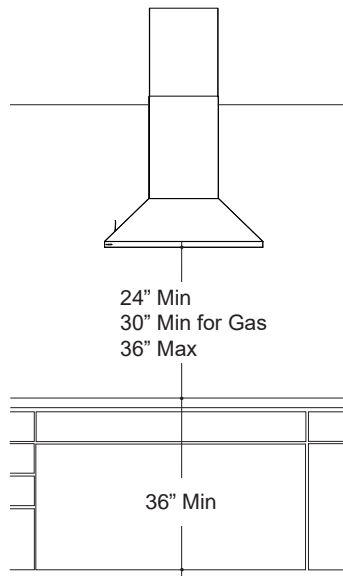


Inline Blower (ZXR6101
Single, ZXR1220 Dual)

Installation Preparation

DETERMINE INSTALLATION HEIGHT

- Telescopic duct covers are provided to conceal the ductwork running to the ceiling.
- This hood can be installed for vented operation. The **ZVIS361** can be installed for recirculating operation with accessory kit UXIN36 and charcoal filters **UXCF91**.



NOTE: Installation height should be measured from the cooking surface to the lowest part of the hood.

The vent hood must be installed 24" min. and 36" max. above the cooking surface. The hood installation height, from the cooking surface to the bottom of the hood, depends upon ceiling height and duct cover limitations.

DUCT COVER DIMENSIONS

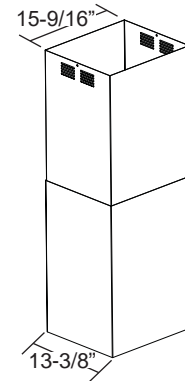
10' version of the duct cover is included with the hood. Duct covers include adjustable structure.

Optional Duct Cover Accessories

ZX8IC1SRSS – 8' Ceiling

ZX12IC1SRSS – 12' Ceiling

ZX14IC1SRSS – 14' Ceiling



Installation Preparation

Included Accessory				
High Ceiling Duct Cover up to 10 ft				
Ceiling Height (ft./in.)	Installation over Electric Range		Installation over Gas Range	
	Vented Installation Height	Recirc Installation Height	Vented Installation Height	Recirc Installation Height
8' 5"	24	24		
8' 6"	24 - 25	24 - 25		
8' 7"	24 - 26	24 - 26		
8' 8"	24 - 27	24 - 27		
8' 9"	24 - 28	24 - 28		
8' 10"	24 - 29	24 - 29		
8' 11"	24 - 30	24 - 30		
9' 0"	24 - 31	24 - 31		
9' 1"	24 - 32	24 - 32	30	30
9' 2"	24 - 33	24 - 33	30 - 31	30 - 31
9' 3"	24 - 34	24 - 34	30 - 32	30 - 32
9' 4"	25 - 35	24 - 35	30 - 33	30 - 33
9' 5"	26 - 36	24 - 36	30 - 34	30 - 34
9' 6"	27 - 36		30 - 35	30 - 35
9' 7"	28 - 26	25 - 36	30 - 36	30 - 36
9' 8"	29 - 36	26 - 36		
9' 9"	30 - 36	27 - 36		
9' 10"	31 - 36	28 - 26		
9' 11"	32 - 36	29 - 36		
10' 0"	33 - 36	30 - 36	31 - 36	
10' 1"	34 - 36	31 - 36	32 - 36	
10' 2"	35 - 36	32 - 36	33 - 36	
10' 3"	36	33 - 36	34 - 36	31 - 36
10' 4"		34 - 36	35 - 36	32 - 36
10' 5"		35 - 36	36	33 - 36
10' 6"		36		34 - 36
10' 7"				35 - 36
10' 8"				36

Optional Accessory ZX8IC1SRSS				
High Ceiling Duct Cover up to 8 ft				
Ceiling Height (ft./in.)	Installation over Electric Range		Installation over Gas Range	
	Vented Installation Height	Recirc Installation Height	Vented Installation Height	Recirc Installation Height
8' 1"	24	24		
8' 2"	24 - 25	24 - 25		
8' 3"	24 - 26	24 - 26		
8' 4"	24 - 27	24 - 27		
8' 5"	24 - 28	24 - 28		
8' 6"	24 - 29	24 - 29		
8' 7"	25 - 30	24 - 30		
8' 8"	26 - 31	24 - 31		
8' 9"	27 - 32	24 - 32	30	30
8' 10"	28 - 33	25 - 33	30 - 31	30 - 31
8' 11"	29 - 34	26 - 34	30 - 32	30 - 32
9' 0"	30 - 35	27 - 35	30 - 33	30 - 33
9' 1"	31 - 36	28 - 36	30 - 34	30 - 34
9' 2"	32 - 36	29 - 36	30 - 35	30 - 35
9' 3"	33 - 36	30 - 36	31 - 36	30 - 36
9' 4"	34 - 36	31 - 36	32 - 36	
9' 5"	35 - 36	32 - 36	33 - 36	
9' 6"	36	33 - 36	34 - 36	31 - 36
9' 7"		34 - 36	35 - 36	32 - 36
9' 8"		35 - 36	36	33 - 36
9' 9"		36		34 - 36
9' 10"				35 - 36
9' 11"				36

Installation Preparation

Optional Accessory ZX12IC1SRSS				
High Ceiling Duct Cover up to 12 ft				
Ceiling Height (ft./in.)	Installation over Electric Range		Installation over Gas Range	
	Vented Installation Height	Recirc Installation Height	Vented Installation Height	Recirc Installation Height
9' 2"	24	24		
9' 3"	24 - 25	24 - 25		
9' 4"	24 - 26	24 - 26		
9' 5"	24 - 27	24 - 27		
9' 6"	24 - 28	24 - 28		
9' 7"	24 - 29	24 - 29		
9' 8"	24 - 30	24 - 30		
9' 9"	24 - 31	24 - 31		
9' 10"	24 - 32	24 - 32	30	30
9' 11"	24 - 33	24 - 33	30 - 31	30 - 31
10' 0"	24 - 34	24 - 34	30 - 32	30 - 32
10' 1"	24 - 35	24 - 35	30 - 33	30 - 33
10' 2"	24 - 36	24 - 36	30 - 34	30 - 34
10' 3"			30 - 35	30 - 35
10' 4"			30 - 36	30 - 36
10' 5"				
10' 6"				
10' 7"				
10' 8"				
10' 9"				
10' 10"			25 - 36	
10' 11"	26 - 36			
11' 0"	27 - 36			
11' 1"	28 - 26	25 - 36		
11' 2"	29 - 36	26 - 36		
11' 3"	30 - 36	27 - 36		
11' 4"	31 - 36	28 - 26		
11' 5"	32 - 36	29 - 36		
11' 6"	33 - 36	30 - 36	31 - 36	
11' 7"	34 - 36	31 - 36	32 - 36	
11' 8"	35 - 36	32 - 36	33 - 36	
11' 9"	36	33 - 36	34 - 36	31 - 36
11' 10"		34 - 36	35 - 36	32 - 36
11' 11"		35 - 36	36	33 - 36
12' 0"		36		34 - 36
12' 1"				35 - 36
12' 2"				36

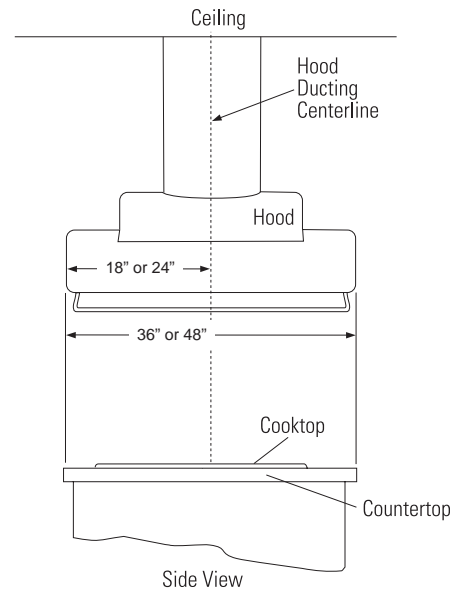
Optional Accessory ZX14IC1SRSS				
High Ceiling Duct Cover up to 14 ft				
Ceiling Height (ft./in.)	Installation over Electric Range		Installation over Gas Range	
	Vented Installation Height	Recirc Installation Height	Vented Installation Height	Recirc Installation Height
10' 2"	24	24		
10' 3"	24 - 25	24 - 25		
10' 4"	24 - 26	24 - 26		
10' 5"	24 - 27	24 - 27		
10' 6"	24 - 28	24 - 28		
10' 7"	24 - 29	24 - 29		
10' 8"	24 - 30	24 - 30		
10' 9"	24 - 31	24 - 31		
10' 10"	24 - 32	24 - 32	30	30
10' 11"	24 - 33	24 - 33	30 - 31	30 - 31
11' 0"	24 - 34	24 - 34	30 - 32	30 - 32
11' 1"	24 - 35	24 - 35	30 - 33	30 - 33
11' 2"	24 - 36	24 - 36	30 - 34	30 - 34
11' 3"			30 - 35	30 - 35
11' 4"			30 - 36	30 - 36
11' 5"				
11' 6"				
11' 7"				
11' 8"				
11' 9"				
11' 10"				
11' 11"				
12' 0"				
12' 1"				
12' 2"				
12' 3"				
12' 4"				
12' 5"				
12' 6"				
12' 7"				
12' 8"				
12' 9"				
12' 10"	25 - 36			
12' 11"	26 - 36			
13' 0"	27 - 36			
13' 1"	28 - 26	25 - 36		
13' 2"	29 - 36	26 - 36		
13' 3"	30 - 36	27 - 36		
13' 4"	31 - 36	28 - 26		
13' 5"	32 - 36	29 - 36		
13' 6"	33 - 36	30 - 36	31 - 36	
13' 7"	34 - 36	31 - 36	32 - 36	
13' 8"	35 - 36	32 - 36	33 - 36	
13' 9"	36	33 - 36	34 - 36	31 - 36
13' 10"		34 - 36	35 - 36	32 - 36
13' 11"		35 - 36	36	33 - 36
14' 0"		36		34 - 36
14' 1"				35 - 36
14' 2"				36

Installation Preparation

CONSTRUCT CEILING SUPPORT

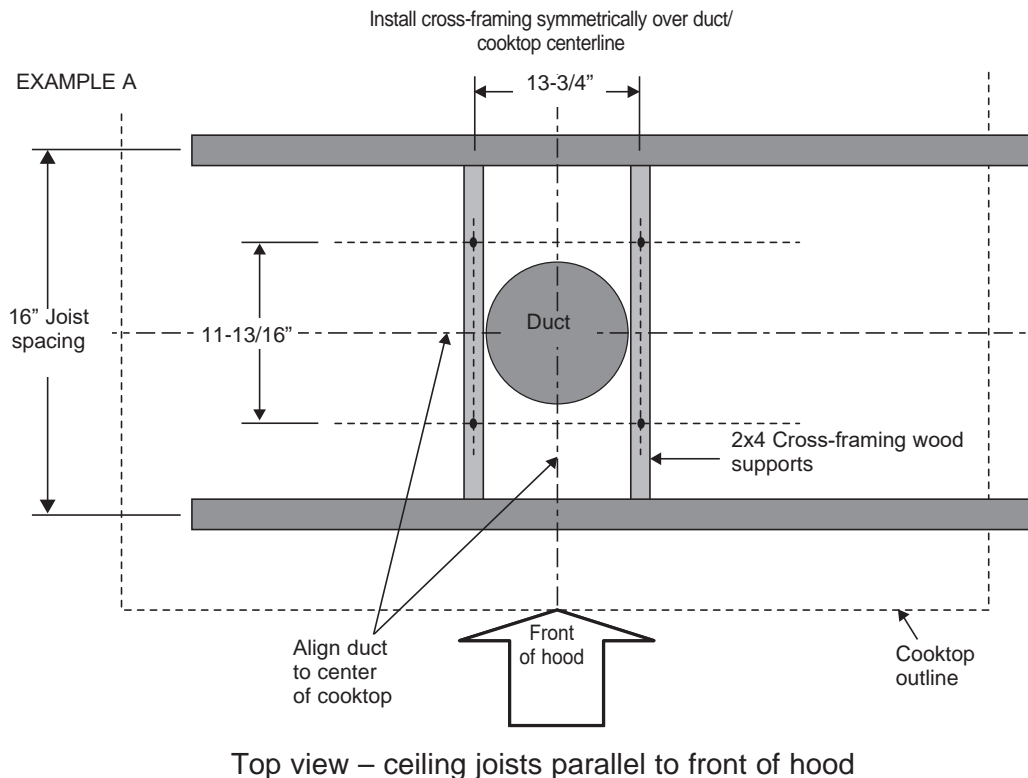
Plan the Location of the Hood and Ductwork

- Use a plumb bob to check the location. The countertop/cooktop below the hood must be centered with the hood.
- The hood should extend beyond the front and rear edge of the cooking appliance.
- The duct in the ceiling must be centered over the cooktop.



Ceiling Support Structure

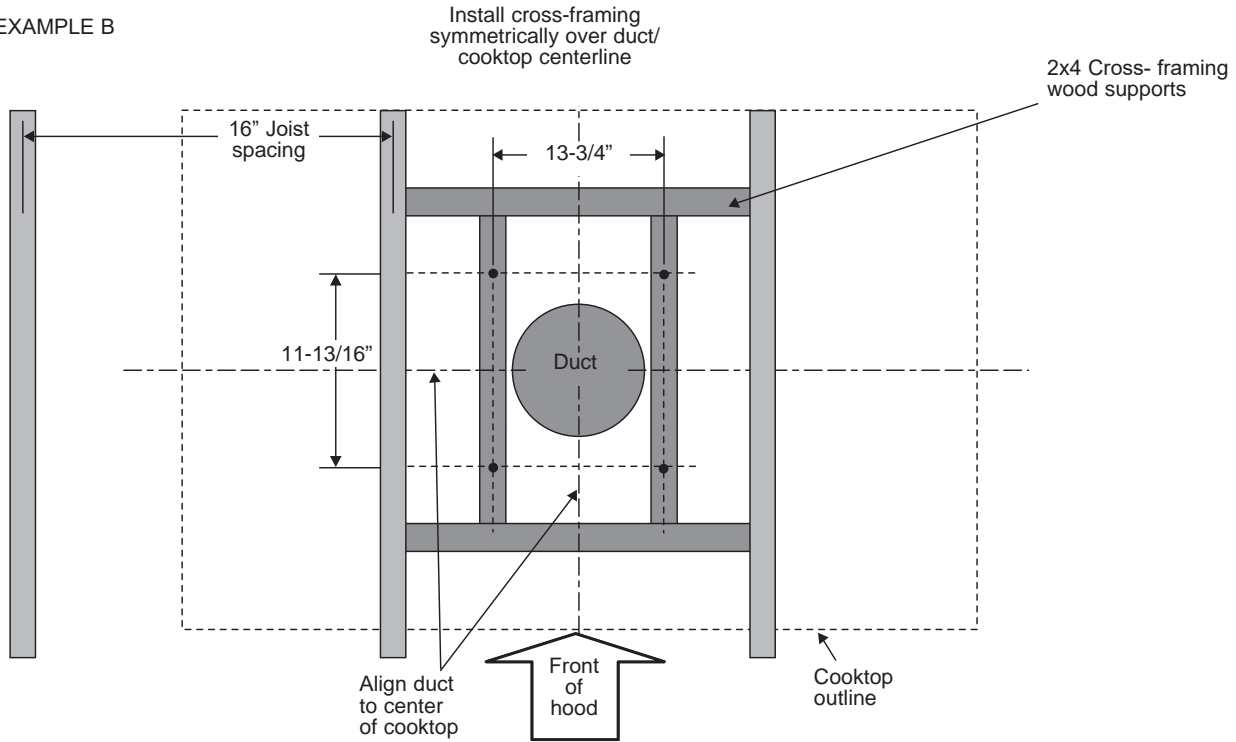
- At the hood location, install 2 x 4 cross framing between ceiling joists as shown. (2x4's are required to support the weight of the hood.)
- Arrange cross framing in the ceiling to suit the existing structure.
- Your ceiling joists will be like one of the following examples.



Installation Preparation

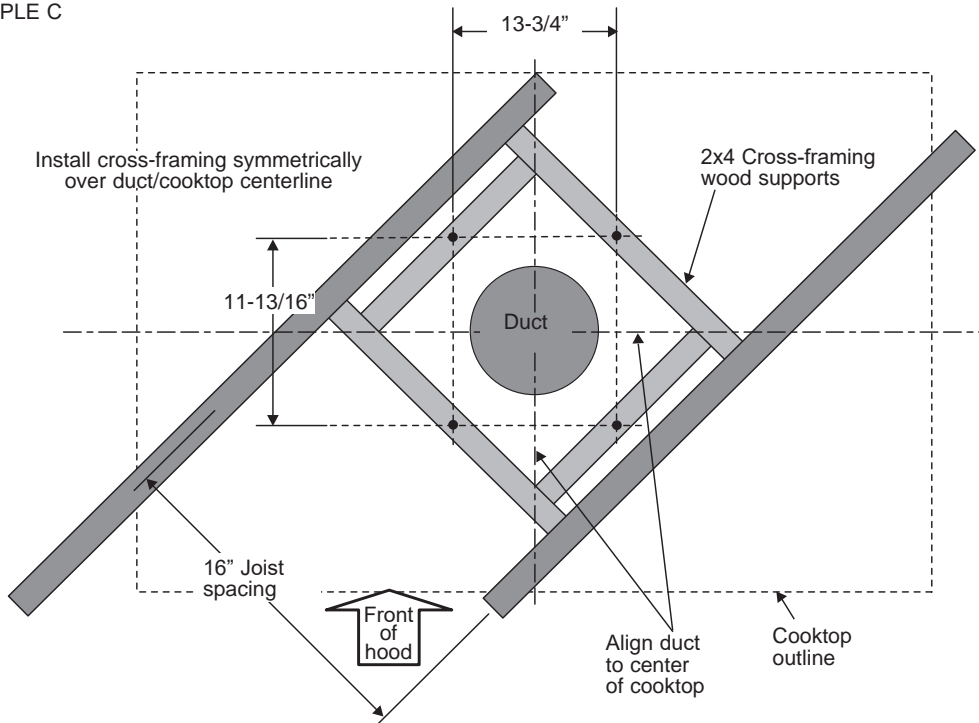
CONSTRUCT CEILING SUPPORT (cont.)

EXAMPLE B



Top view – ceiling joists run perpendicular to front of hood

EXAMPLE C



Top view – ceiling joists at angle to front of hood

Installation Preparation

CONSTRUCT CEILING SUPPORT (Cont.)

- Secure each 2 x 4 block with at least four (4), #10 wood screws, 3" long (not supplied). Use 8 wood screws total for the two supports.
- The cross framing must be accurately aligned to assure correct positioning of the hood.
- The cross framing must be level in all directions. Check with a spirit level and adjust if necessary.

IMPORTANT: The ceiling structure must be capable of supporting the weight of the hood (approximately 200 pounds) and any inadvertent user contact loads. The hood support frame will be supported by the 2 x 4 cross framing.

Ductwork for Installations Vented to the Outdoors

- Use the shortest and straightest duct route possible. For satisfactory performance, duct run should not exceed 100 feet equivalent length for any duct configuration.
- Refer to "Duct Fittings" chart to compute the maximum permissible length for duct runs to the outdoors.
- If this is a new hood installation, 8" (36") or 10" (48") round rigid duct must be used. If this is a replacement for an existing hood, then adapters can be used but it must be noted that performance will be compromised.

⚠ WARNING TO REDUCE THE RISK OF FIRE, USE ONLY METAL DUCTWORK.

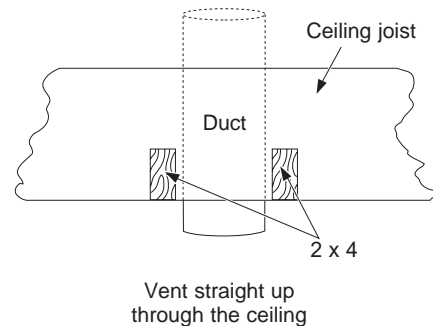
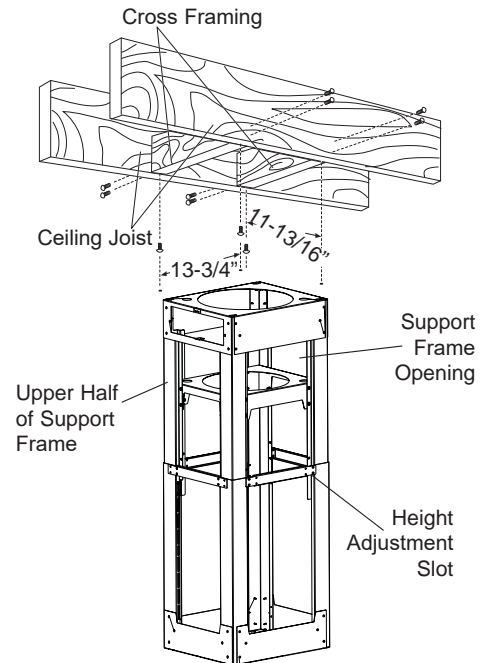
- Install the house ductwork to run horizontally between ceiling joists or straight up through the roof.

Run the Electrical Supply

- See Page 5 for requirements.

Finish the Ceiling

- Finish the ceiling surface. It is recommended that the opening inside the added ceiling support be left open as much as possible for ease of the rest of the installation. This makes it easier to run ductwork and electrical. **Be sure to mark the location of the ceiling joists and cross framing AND the centerlines in both directions, as they will be critical for determining the mounting hole locations.**

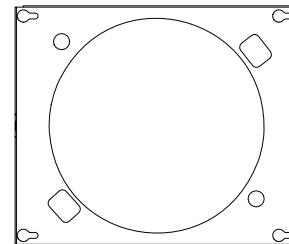


Installation Instructions

INSTALLATION—VENTED TO THE OUTSIDE

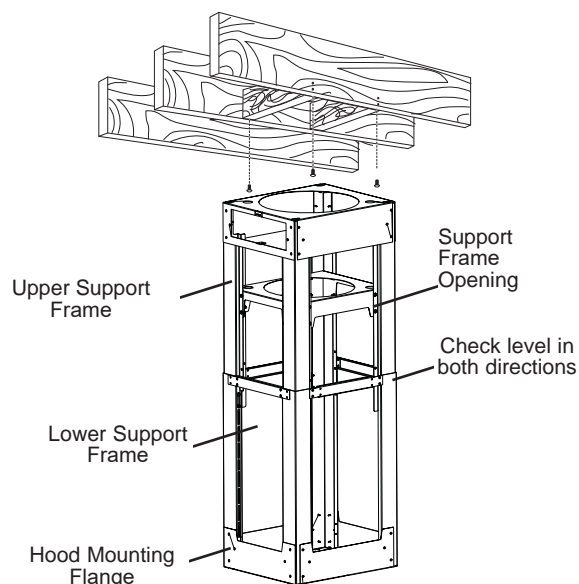
1 MOUNT TEMPLATE

- Align the template with the marks on the ceiling and tape in place.
 - Be sure the template is oriented correctly, with the front of the hood.
- Use a plumb to be sure the mounting holes will provide parallel alignment with the countertop below.
- Center punch all hole locations.
- Drill pilot holes in the 4 screw locations. Use a 5/32" bit and drill approximately 2-1/2" deep.
- Cut any needed wire holes in the needed location(s).
- Cut the ~ 9" (36") or ~ 11" (48") duct opening through the ceiling.



2 INSTALL UPPER SUPPORT FRAME

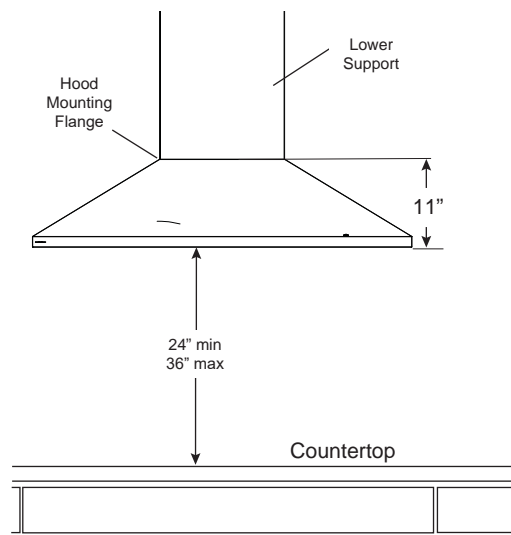
- The frame assembly comes partially assembled. It is recommended that the Lower frame be disassembled from the Upper frame to ease installation. This requires the removal of 4 screws from the slotted portion of the legs and then pulling the Lower frame from the Upper frame.
- Using a T20 torx or a 7mm socket, secure the upper support frame to the ceiling joists and/or cross framing with the 4 screws provided. For maximum rigidity and strength, the screws must be driven into the center of the joists and/or cross-framing.
- The Upper frame inner bracket is secured with a total of 16 screws. 8 of the screws are already installed and 8 are in the hardware bag. Install the 8 screws and tighten all 16.
- Check to be sure the support frame is level, vertically and horizontally.



3 INSTALL LOWER SUPPORT FRAME

- Insert lower support frame into the upper support frame and loosely secure with 8 screws (4 on the front and 4 on the back sides).
- Adjust the lower support frame up or down to the desired height above the countertop. Tighten screws.

IMPORTANT: Again, check to be sure the support is level in both directions. There is no way to level the hood after the hood is secured to the frame.

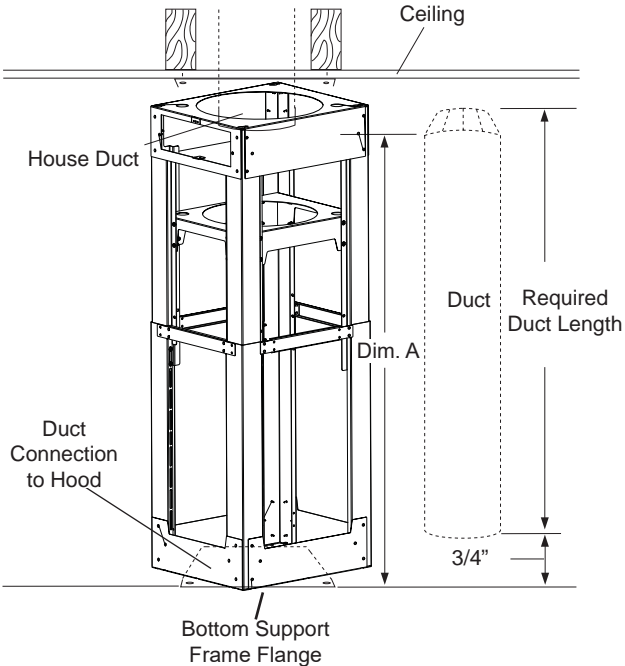


Installation Instructions

INSTALLATION—VENTED TO THE OUTSIDE

4 SIZE AND INSTALL DUCTWORK

- Measure from house duct (Dim. A) to bottom of support frame.
 - Add at least 1" for duct overlap at the top.
 - Subtract 3/4" for hood insertion into the bottom of the frame.



- Cut the duct to the required length.

NOTE: The bottom end of the duct must be flared slightly, to facilitate installation of the hood.

- Install duct up through support frames onto the house duct. Push duct up until it is 3/4" from the bottom of the support frame flange.
- Secure the duct to house duct connection with screws and seal with duct tape.
- Seal duct connection with duct tape, making sure connection is secured in place.

5 CONNECT ELECTRICAL

Verify that power is turned off at the source.

⚠ WARNING

If house wiring is not 2-wire with a ground wire, a ground must be provided by the installer. When house wiring is aluminum, be sure to use U.L. approved anti-oxidant compound and aluminum-to-copper connectors.

- Install strain relief onto the knockout of the junction box cover.
- Insert house wiring through strain relief and tighten.
- Connect white leads to branch circuit white lead.
- Connect black leads to branch circuit black lead.
- Connect green/yellow leads to branch circuit green or bare ground lead.
- Secure all connections with wire nuts on each electrical connector.
- Push wires into junction box and replace cover. Be sure wires are not pinched.

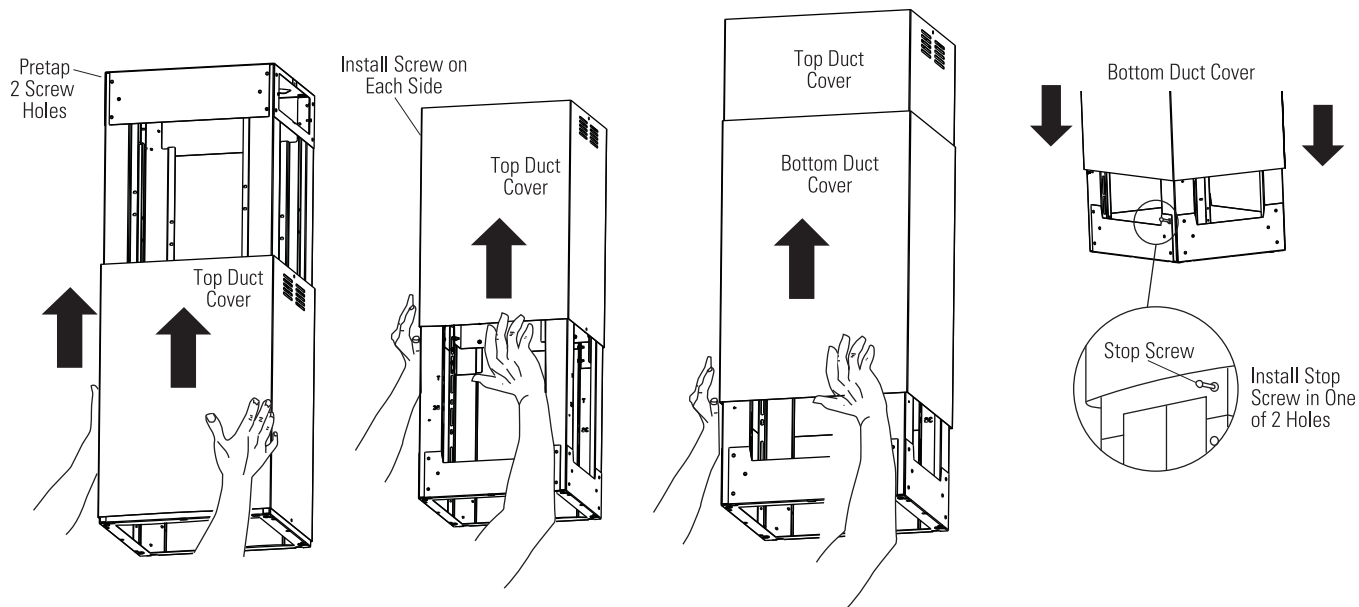
NOTE: For corded installation:

Use only with rangehood cord-connection kits that have been investigated and found acceptable for use with this model rangehood.

Installation Instructions

INSTALLATION—VENTED TO THE OUTSIDE

6 INSTALL DECORATIVE DUCT COVERS



- Pretap or drive decorative screw into the screw holes on the support frame. This will make screw installation easier.

- Separate the two decorative duct covers.

- Select the inside or top cover with the vent hole pattern on one end.

For this vented installation to the outside, the hole pattern should be located at the bottom.

- Locate the 2 supplied duct cover screws.

- Slide the decorative duct cover over the support frame and push to the ceiling.

- Attach the inside duct cover to the hood support at the top with 2 supplied duct cover screws.

- Locate the stop screw in the hardware bag.

- Install the stop screw into one of the two holes and tighten against the frame to allow the second duct cover to slide up and pass over.

- Slide the lower duct cover over the installed upper duct cover and push up past the stop screw location.

- Back out the stop screw far enough to support the bottom duct cover and prevent it from sliding down onto the top of the hood.

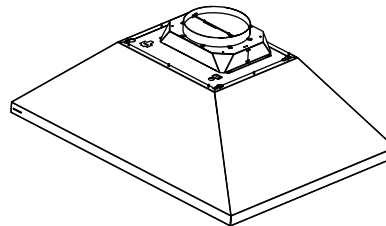
CAUTION The stop screw must be installed. Failure to do so could result in personal injury or damage to the duct cover.

7 INSTALL DAMPER

Verify that power is turned off at the source.

- Using the 4 supplied screws, attach the damper to the hood body.

- Seal the body of the damper to the body with aluminum duct tape.



Installation Instructions

INSTALLATION—VENTED TO THE OUTSIDE

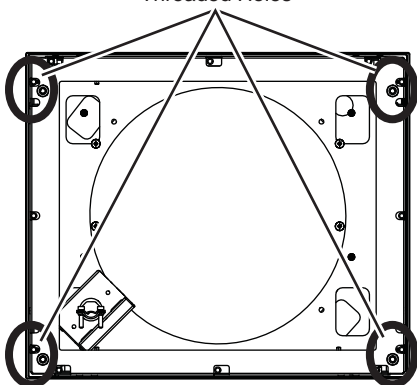
8 INSTALL HOOD

▲ CAUTION

2 people are required to lift and position the hood onto the mounting bracket.

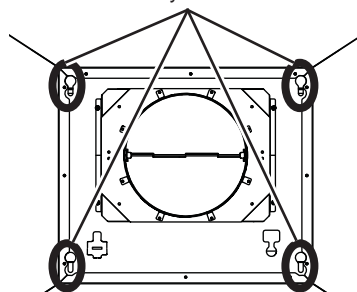
- On the bottom of the frame, locate the threaded holes and install the 4 Installation Hood to Chimney Screws, threading them in approximately 1".
- Lift the hood to the support frame. Align the key holes of the hood body and rest the hood body on the screw heads.
- Using a T20 torx or a 7mm socket, thread the screws until the body is brought up to the frame. Be sure to align the duct with the damper connector.
- Make sure the hood body is centered and squared with the frame and tighten the screws.
- Tape the duct to the damper. Do not use any screws to secure as this will prevent the damper from working properly.

Threaded Holes

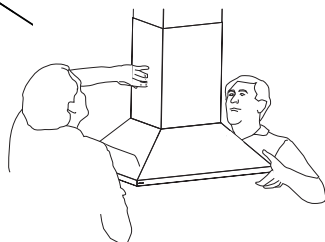


Bottom View of Frame

Keyholes

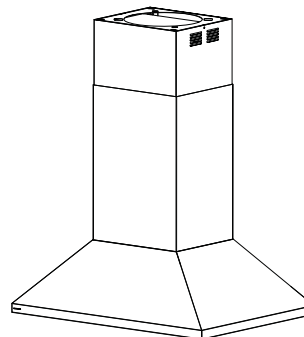


Top View of Hood Body



9 SLIDE DUCT COVER DOWN

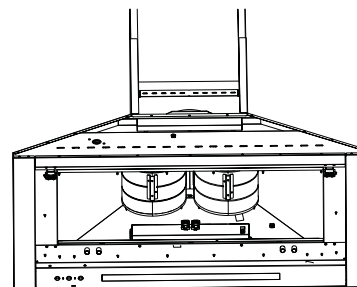
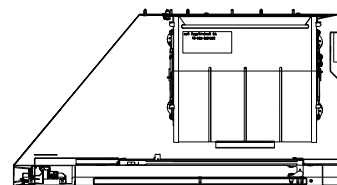
- Slide the lower duct cover up and above the stop screw.
- Drive the stop screw in close to the frame.
- Slide the lower duct cover down.



10 INSTALL BLOWER(S) (IF INTEGRAL)

NOTES: Each blower has four through holes for securing by machine screws to the hood body; two of which are key holes. All four holes are used with the 36" but only two are used with the 48", as the 48" uses a lip on the body to secure one side of the motor for ease of assembly.

1. Noting which holes are key holes, pre-install the relevant screws to the body.
2. Install the blower(s) by inserting and sliding the keyhole over the screw(s).
3. Install the remaining screws through the regular holes of the blower(s) to the hood body.
4. Tighten all screws.
5. Install the blower wire harness connector(s) to the control box connector(s).



Installation Instructions

INSTALLATION—VENTED TO THE OUTSIDE

11 INSTALL GREASE FILTERS

NOTE: Be sure the circuit breaker is off and all surfaces are cool before cleaning or servicing any part of the vent hood.

The filter traps grease released by foods from cooking.

The filters must ALWAYS be in place when the hood is in use. The grease filters are dishwasher-safe and should be cleaned every month, or as needed.

To remove:

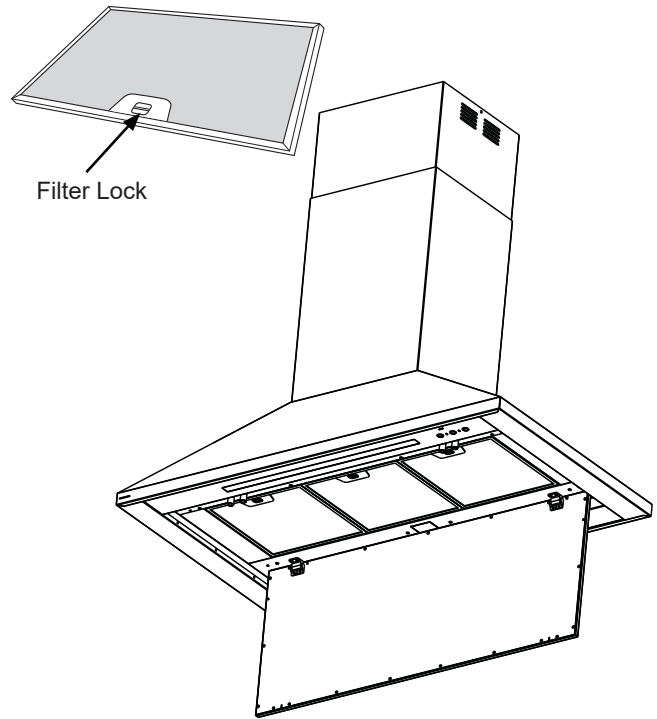
Pull open the perimeter panel, which is secured with magnets. Pull downward on the filter lock to release the filter.

To replace:

Fit the tabs at the bottom of the filter behind the ledge of the filter opening. Lift up the front side of the filter, push downward on the filter lock, and push gently until the filter is in place. Release the filter lock to secure the filter in place. Close the perimeter panel.

To clean, swish the filter in hot soapy water and rinse in clean water or wash it in the dishwasher. Do not use abrasive cleansers.

NOTE: Some discoloration may occur to the grease filters in the dishwasher.



12 FINALIZE INSTALLATION

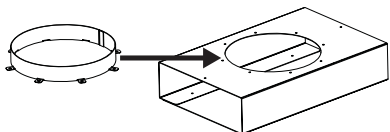
- Remove remaining protective film from the hood.
- Make sure filters are seated properly when installed
- Be sure fan and lights operate correctly. Refer to the Owner's Manual for operating instructions and the Problem Solver.

Installation Instructions

INSTALLATION—RECIRCULATING

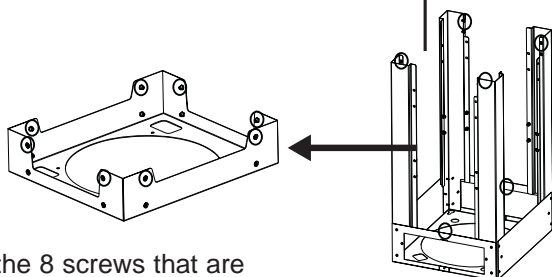
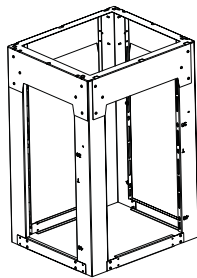
1 ASSEMBLE AND INSTALL RECIRCULATION BOX

1. Assemble the recirculation box using 8 of the supplied screws and attach the duct ring to the box.



2. Turn the frame assembly upside down.

3. Remove the 4 screws that are partially holding the upper duct cover frame to the lower frame and remove the upper duct frame from the lower frame.

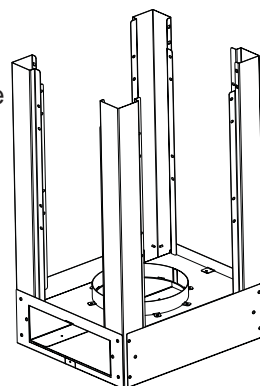


4. Remove the 8 screws that are partially holding the extra frame support from the upper frame.

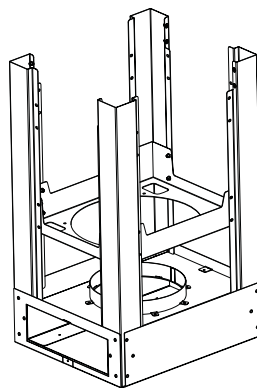
5. Bend the tabs of the upper frame support inward.

6. Position the recirculation box so that the tabs are aligned with the box.

7. Attach the recirculation box to the upper frame by securing a screw to each tab on each end of the box.

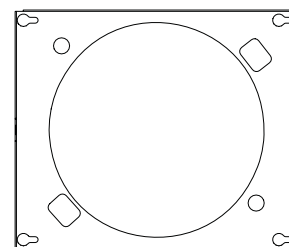


8. Reattach the extra frame support with the 8 screws removed and the additional 8 screws in the hardware bag.



2 MOUNT TEMPLATE

- Align the template with the marks on the ceiling and tape in place.
 - Be sure the template is oriented correctly, with the front of the hood.
- Use a plumb to be sure the mounting holes will provide parallel alignment with the countertop below.
- Center punch all hole locations.
- Drill pilot holes in the 4 screw locations. Use a 5/32" bit and drill approximately 1-1/2" deep.
- Cut wire access hole approximately 1" dia.



Installation Instructions

INSTALLATION—RECIRCULATING

3 FOLLOW STEPS 1 - 3 ON PAGE 13
TO INSTALL THE FRAME

6 FOLLOW STEPS 8 & 9 ON PAGE
16 TO INSTALL THE HOOD BODY
AND SLIDING DOWN THE DUCT
COVER

4 FOLLOW STEPS 4 & 5 ON PAGE
14 TO INSTALL THE DUCTWORK

NOTE: With the exception of the ductwork will
attach to the Recirculation box duct ring instead
of the vented duct of the house.

7 FOLLOW STEP 10 ON PAGE 16
FOR BLOWER INSTALL

5 FOLLOW STEPS 6 & 7 ON PAGE
15 TO INSTALL THE DUCT
COVERS

NOTE: With the exception of the upper duct cover
will have the recirculating louvers visible on the
top.

Installation Instructions

INSTALLATION—RECIRCULATING

8 INSTALL FILTERS

Be sure the circuit breaker is off and all surfaces are cool before cleaning or servicing any part of the vent hood.

Grease Filter

The filter traps grease released by foods from cooking. The filters must ALWAYS be in place when the hood is in use. The grease filters are dishwasher-safe and should be cleaned every month, or as needed.

To remove:

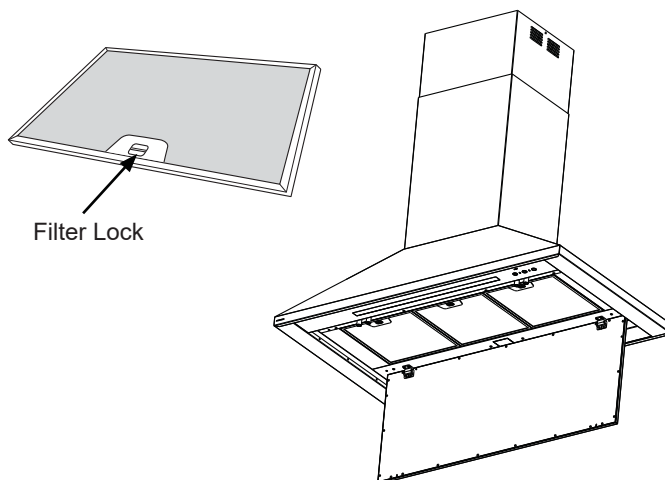
Pull open the perimeter panel, which is secured with magnets. Pull downward on the filter lock to release the filter.

To replace:

Fit the tabs at the bottom of the filter behind the ledge of the filter opening. Lift up the front side of the filter, push downward on the filter lock, and push gently until the filter is in place. Release the filter lock to secure the filter in place. Close the perimeter panel.

To clean, swish the filter in hot soapy water and rinse in clean water or wash it in the dishwasher. Do not use abrasive cleansers.

NOTE: Some discoloration may occur to the grease filters in the dishwasher.



Charcoal Filter (for recirculation installation only)

NOTE: DO NOT rinse, or put charcoal filter in an automatic dishwasher.

The charcoal filter is NOT included with the unit. Order charcoal filter UXCF91. It cannot be cleaned; it must be replaced. It is recommended that the charcoal filter be replaced every 6 months or if it is noticeably dirty or discolored.

To reduce the risk of fire and shock, when used in recirculation mode, use only charcoal filter UXCF91.

To inquire about purchasing replacement charcoal filters or to find the location of a dealer nearest you, please call our toll-free number:

National Parts Center 800.626.2002

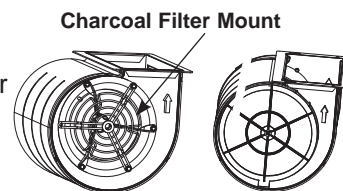
To Install

1. Remove the grease filters. See Filters section.

2. Install the charcoal filter mounts to either side of the motor using three screws per side.
3. Insert the tab on the charcoal filter into the triangular slot on the mount.
4. Clip the charcoal filter in until it is locked
5. Repeat with second filter on the other side of the motor.
6. Reattach the metal filters. See Filters section.

To Remove

1. Remove grease filters- See Filters section
2. Unclip the charcoal filter by pressing the release clip.
3. Carefully remove charcoal filter from tab.



9 FINALIZE INSTALLATION

- Remove the protective film covering the control panel on the front face of the hood and any other packaging materials.
- Make sure the filters are seated properly when installed and the filter light is not on.

- Be sure fan and lights operate correctly. Refer to the Owner's Manual for operating instructions and the Problem Solver.

Installation Instructions

MAKE UP AIR TECHNOLOGY (for 36" only)

This operation must be performed by a qualified technician or installer.

Note to Installers and Inspectors: This product comes equipped with a simple installation feature that limits maximum CFM levels in order to comply with certain local codes or regulations. This installation method may not be necessary for all installations, please refer to your local codes for further guidelines.

This makeup air feature applies to single motor models only.

⚠ CAUTION

Hood must be disconnected from main power prior performing the conversion instructions listed below. Failure to do so could result in personal injury or damage to the product.

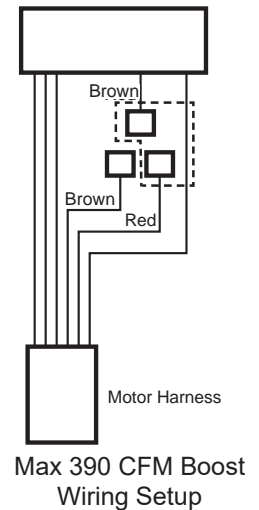
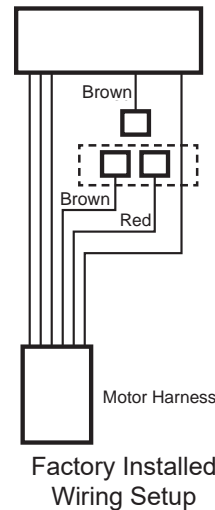
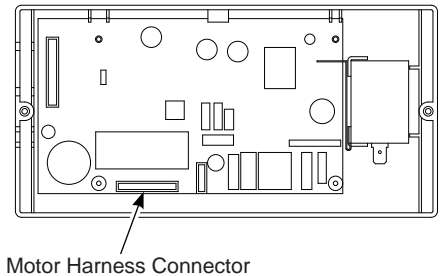
To modify unit (if needed for local codes):

390CFM

By design, the maximum blower speed is greater than 400 CFM. For local codes requiring reduced CFM, modify the wiring as described below:

1. Remove the Baffle filters.
2. Disconnect all the harnesses from the top of control box on right side of motor
3. Loosen the screws on top of control box and slide out to remove it from the hood
4. Uninstall the control box cover
5. For a maximum of 390 CFM Unit can operate with 4 speeds (Low, Medium, High, Boost).
 - i. Disconnect connectors of the **BROWN** wire.
 - ii. Remove the cap attached to the connector of the **RED** wire.
 - iii. Connect the mating connector of the **BROWN** wire and the **RED** wire.
 - iv. Attach the cap to the open **BROWN** wire connector.
6. Reinstall control box cover and secure control box to the bracket in the hood using the two screws
7. Connect all harnesses on top of the control box
8. Reinstall filters.

Note to Inspectors: To verify this product installation, check motor wiring connections as described above.



For Monogram® local service in your area, visit
monogram.com

NOTE: Product improvement is a continuing endeavor at Monogram Appliances. Therefore, materials, appearance and specifications are subject to change without notice.



MONOGRAM



INSTRUCCIONES DE INSTALACIÓN

Campana Extractora para Isla Monogram de 36", 48"

ZVIS361SRSS

ZVIS481SRSS

ESPAÑOL

Información de Seguridad

ANTES DE COMENZAR

Lea estas instrucciones completa y cuidadosamente.

- **IMPORTANTE** — Guarde estas instrucciones para uso del inspector local.
- **IMPORTANTE** — Observe todos los códigos y ordenanzas vigentes.
- **Nota para el instalador** — Cerciórese de dejar estas instrucciones en poder del consumidor.
- **Nota para el consumidor** — Mantenga estas instrucciones para referencia futura.
- **Nivel de destrezas** — La instalación de este aparato requiere de destrezas mecánicas y eléctricas básicas.
- **Tiempo para la instalación** — 1 a 3 horas.
- La instalación correcta es responsabilidad del instalador. La falla del producto debido a una instalación incorrecta no está cubierta por la garantía.
- Para servicio técnico local Monogram en su área, visite nuestro sitio web en monogram.com.
- Para Piezas y accesorios Monogram, visite nuestro sitio web en monogram.com/use-and-care/parts.

⚠ PRECAUCIÓN Debido al peso y tamaño de estas campanas con ventilación y para reducir el riesgo de lesiones personales o daños al producto, **SE NECESITAN DOS PERSONAS PARA REALIZAR UNA INSTALACIÓN CORRECTA.**

⚠ ADVERTENCIA Para reducir el riesgo de incendio o descarga eléctrica, no utilice esta campana para estufa con ningún dispositivo de control de velocidad externo de estado sólido. Cualquier clase de modificación del cableado original de fábrica podría provocar daños a la unidad y/o crear un peligro de seguridad eléctrico.
PARA REDUCIR EL RIESGO DE INCENDIO, SÓLO UTILICE CONDUCTOS DE METAL.

⚠ ADVERTENCIA PARA REDUCIR EL RIESGO DE INCENDIO, DESCARGA ELÉCTRICA O LESIONES A PERSONAS, CUMPLA CON LOS SIGUIENTES PUNTOS:

- Utilice esta unidad sólo de la manera concebida por el fabricante. Si tiene alguna pregunta, comuníquese con el fabricante.
- Antes de efectuar servicio técnico o limpiar la unidad, desconecte la corriente en el panel de servicio y bloquee el medio de desconexión del servicio para evitar que la corriente se restablezca accidentalmente. Cuando el medio de desconexión del servicio no se pueda bloquear, fije firmemente al panel de servicio un dispositivo de advertencia prominente, como una etiqueta.

⚠ PRECAUCIÓN SÓLO PARA USO DE VENTILACIÓN GENERAL. NO LO UTILICE PARA VENTILAR MATERIALES PELIGROSOS, MATERIALES O VAPORES EXPLOSIVOS.

⚠ ADVERTENCIA PARA REDUCIR EL RIESGO DE INCENDIO, DESCARGA ELÉCTRICA O LESIONES A PERSONAS, CUMPLA CON LOS SIGUIENTES PUNTOS:

- El trabajo de instalación y el cableado eléctrico deben realizarlo personas calificadas en cumplimiento con todos los códigos y normas aplicables, incluyendo construcción con clasificación para incendios.
- Se necesita suficiente aire para una combustión y escape de gases adecuados a través de la ventilación (chimenea) de equipamiento de combustión de combustible para evitar la contracorriente. Siga las pautas y normas de seguridad del fabricante del equipamiento de calefacción, tales como las publicadas por la Asociación Nacional de Protección contra Incendios (NFA), la Sociedad Estadounidense de Ingenieros en Calefacción, Refrigeración y Aire Acondicionado (ASHRAE) y las autoridades de códigos locales. Cuando corresponda, instale un sistema de reposición (reemplazo) de aire de acuerdo con los requisitos del código local de construcción.
- Cuando realice cortes o perforaciones dentro de paredes o cielorrasos, no dañe el cableado eléctrico y otros servicios públicos ocultos.
- Los sistemas de conductos siempre deben contar con una salida al exterior.
- Los códigos locales pueden variar. La instalación de conexiones eléctricas y a tierra deben cumplir con los códigos aplicables. Si no existieran códigos locales, la ventilación deberá instalarse en cumplimiento con el Código Eléctrico Nacional ANSI/NFA 70-1990 o la última edición.

⚠ PRECAUCIÓN Para reducir el riesgo de incendio o para que el aire se ventile de manera adecuada, asegúrese de que el aire salga al exterior; no ventile aire de escape en espacios dentro de paredes o cielorrasos o dentro de áticos, huecos sanitarios o garajes.

LEA Y GUARDE ESTAS INSTRUCCIONES

Información de diseño

CONTENIDOS

Información de Seguridad	2	Paso 4, Mida e instale los conductos.....	14
Información de diseño		Paso 5, Conecte los elementos eléctricos	14
Modelos disponibles	3	Paso 6, Instale las cubiertas de conducto decorativas.....	15
Dimensiones del producto.....	3	Paso 7, Instale el regulador	15
Planificación previa		Paso 8, Instale la campana	16
Extractor ajustable	4	Paso 9, deslice hacia abajo la tapa del conducto.....	16
Planificación de los conductos	4	Paso 10, Instale el extractor(s) (Si es Integral).....	16
Armazones de cielorraso para un soporte adecuado	4	Paso 11, Instale los filtros de grasa.....	17
Preparación para la instalación		Paso 12, Finalice la instalación.....	17
Fuente de energía.....	5	Instrucciones de instalación	
Herramientas y materiales requeridos	5	Instalación—Recirculación	18
Retire el embalaje	6	Paso 1, Assemble & Install Recirc Box.....	18
Controle los Materiales de Instalación	6	Paso 2, Instale la plantilla	18
Determine la altura de instalación.....	7	Paso 3, Instale el marco.....	19
Dimensiones de la cubierta de conducto	7	Paso 4, Instale el conducto	19
Construya el soporte del cielorraso.....	10	Paso 5, Instale las cubiertas de conducto	19
Instrucciones de instalación		Paso 6, Instale el cuerpo de la campana y deslizar la tapa del conducto.....	19
Instalación—Ventilación hacia el exterior	13	Paso 7, Instale el extractor(s)	19
Paso 1, Instale la plantilla	13	Paso 8, Instale los filtros	20
Paso 2, Instale el armazón de soporte superior	13	Paso 9, Finalice la instalación.....	20
Paso 3, Instale el armazón de soporte inferior	13	Tecnología de reposición de aire (solo para 36")	21

MODELOS DISPONIBLES

Model ZVIS361, ZVIS481

Estas campanas se podrán instalar para ventilar hacia el exterior, o el modelo ZVIS361 se podrá instalar para el funcionamiento de recirculación con el kit de accesorios UXIN36 y los filtros de carbón UXCF91

El ZVIS361 se podrá instalar sobre cualquier superficie de cocción eléctrica o a gas de 36" Monogram.

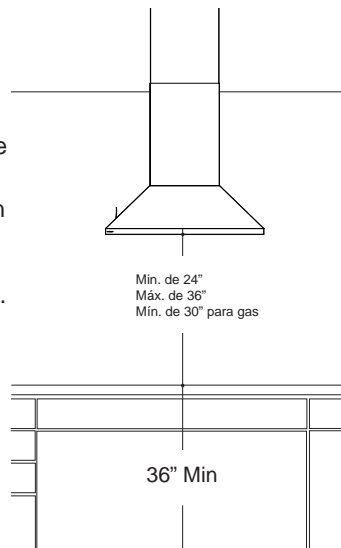
El ZVIS481 se podrá instalar sobre cualquier superficie de cocción eléctrica o a gas de 48" Monogram.

- Las cubiertas del conducto reversibles pueden utilizarse para la operación de recirculación.
- Las cubiertas del conducto plegables ocultan los conductos que van desde la parte superior de la campana hasta el cielorraso.
- La tapa del conducto suministrada está adaptada para alcanzar alturas de cielorraso de 10 pies. Consulte la tabla de Alturas de Instalación en la sección de Preparación de la Instalación.

DIMENSIONES Y MARJENS DEL PRODUCTO

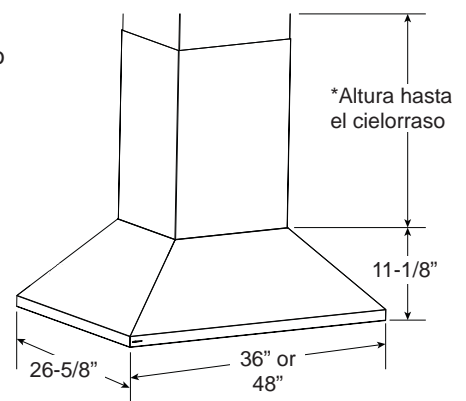
La campana de ventilación debe instalarse a un mín. de 24" y un máx. de 30" sobre la superficie de cocción. Se deberá instalar a un mínimo de 30" sobre una estufa a gas.

NOTA: La altura de instalación debe medirse desde la superficie de cocción hasta la parte más baja de la campana.



Accesorios de la Tapa del Conducto

La tapa del conducto para cielorraso de 10' se incluye con la campana. Consulte la tabla de Alturas de Instalación en la sección de Preparación de la Instalación para acceder a orientación sobre todas las opciones de tapa del conducto en base a la altura del cielorraso y a la altura sobre la superficie de cocción.



Planificación previa

EXTRACTOR AJUSTABLE

Los accesorios para extractor, los cuales se venden por separado, se requieren para su uso

36"

- Extractor ajustable WB26X40949 Integral 610 CFM
- Extractor ajustable ZXR6101 en línea 610 CFM
- Extractor ajustable ZXR1220RSS en línea 1220-CFM

48"

- Extractor ajustable WB26X40949 Integral 610 CFM (se deben adquirir dos)
- Extractor ajustable ZXR1220RSS en línea 1220-CFM

PLANIFICACIÓN DE LOS CONDUCTOS

- Esta campana está diseñada para ventilarse en forma vertical a través del cielorraso. Utilice codos suministrados en forma local para ventilación horizontal a través de la pared trasera.
- Determine la ubicación exacta de la campana de ventilación.
- Planifique el recorrido de la salida de ventilación hacia el exterior.
- Utilice el recorrido de conductos más corto y más recto posible. Para un desempeño satisfactorio, el recorrido de los conductos no debe superar una longitud equivalente a los 150' para ninguna configuración de conductos.
- Consulte la tabla "Accesorios de conductos" para calcular la longitud máxima permisible para recorridos de conductos hacia el exterior.
- Sólo use conductos de metal rígidos.
- Esta campana de ventilación se deberá usar con un conducto redondo de 8" para el modelo ZVWS361 y un conducto redondo de 10" para el modelo ZVWS481.
- Instale el conducto doméstico para que corra en forma horizontal entre las vigas del cielorraso o en forma recta a través del techo.
- Instale una cubierta de pared o casquete de techo con un regulador de tiro en la abertura exterior. Solicite por adelantado la cubierta de pared o el casquete de techo y cualquier transición o longitud de conducto necesarios.
- Cuando corresponda, instale un sistema de reposición (reemplazo) de aire de acuerdo con los requisitos del código local de construcción. Para acceder a soluciones de aire disponibles, visite GEAppliances.com.

▲ ADVERTENCIA PARA REDUCIR EL RIESGO DE INCENDIO, SÓLO UTILICE CONDUCTOS DE METAL RÍGIDOS.

ARMAZONES DE PARED PARA UN SOPORTE ADECUADO

- Esta campana de ventilación es pesada. Debe contarse con un soporte estructural adecuado. Esta campana debe fijarse a columnas vertical de la pared. Ver página 23.
- Recomendamos enfáticamente que la campana de ventilación con cubierta de conducto se encuentre en el lugar antes de colocar los armazones y efectuar el acabado de la pared. Esto también ayudará a ubicar con precisión los conductos y el servicio eléctrico.
- La instalación resultará más fácil si la campana de ventilación se instala antes que la estufa y el mostrador de encimera.

PLANIFICACIÓN PREVIA

Su instalación de campana puede necesitar un accesorio de cubierta de conductos dependiendo de la altura del cielorraso.

Preparación para la instalación

SUMINISTRO DE ENERGÍA

IMPORTANTE – (Tenga a bien leer cuidadosamente)

⚠ADVERTENCIA PARA SEGURIDAD PERSONAL, ESTE APARATO DEBE CONECTARSE A TIERRA DE MANERA ADECUADA.

Quite el fusible o abra el interruptor de circuitos antes de comenzar la instalación.

No utilice un cable de extensión o un enchufe adaptador con este artefacto. Siga el Código Eléctrico Nacional o los códigos y ordenanzas locales vigentes.

Suministro eléctrico

Esta campana de ventilación deben contar con un suministro de 120V, 60Hz, y debe estar conectada a un circuito derivado individual con una adecuada conexión a tierra y debe contar con la protección de un interruptor de circuito o un fusible con retraso de 15 o 20 amperios.

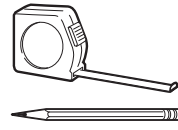
- El cableado debe ser de 2 hilos con conexión a tierra.
- Si el suministro eléctrico no cumple con los requisitos anteriores, llame a un electricista con licencia antes de continuar.
- Dirija el cableado doméstico lo más cercano a la instalación posible. Considere una longitud adicional desde las vigas del cielorraso para poder alcanzar la caja de conexiones de la campana.
- Conecte el cableado al cableado doméstico en cumplimiento con los códigos locales.

Instrucciones de conexión a tierra

El conductor a tierra debe conectarse a un metal con conexión a tierra, un sistema de cableado permanente o una terminal o conductor de conexión a tierra en la campana.

⚠ADVERTENCIA Una conexión inadecuada del conductor de conexión a tierra del equipamiento puede provocar un riesgo de descarga eléctrica. Consulte a un electricista calificado o representante de servicio técnico si tiene dudas sobre la correcta conexión a tierra del aparato.

HERRAMIENTAS Y MATERIALES REQUERIDOS (NO SUMINISTRADOS)



Lápiz y cinta métrica



Gafas de seguridad



Guantes



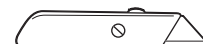
Nivel de burbuja de aire



Martillo



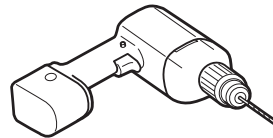
Destornillador de estrella



Cuchillo de uso general



Linterna



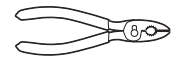
Taladro eléctrico con brocas de 5/32", Phillips n°2, torx T20, llave de tubo de 7mm y extensión de 6"



Escalera



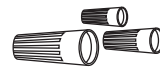
Cinta adhesiva



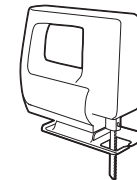
Alicates



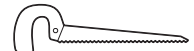
Alicate pelacables



Tapones de alambre aprobados por UL



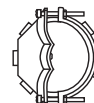
Sierra sable o serrucho de calar



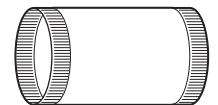
Plomada



Cinta aislante de aluminio



Alivio de tensión para la caja de conexiones



Conducto metálico circular de 8" (36") o 10" (48"), longitud adecuada a la instalación



Cable de 120V, 60Hz, 15 o 20 amperios de 2 hilos con circuito derivado con conexión a tierra

Preparación para la instalación

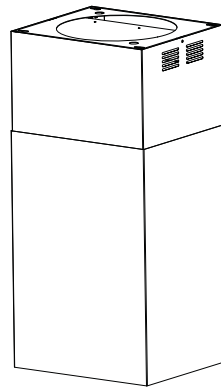
RETIRE EL EMBALAJE

CAUTION

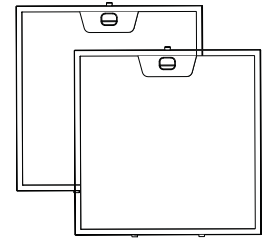
Use guantes como protección contra extremos filosos.

Los siguientes ítems están incluidos en la caja.

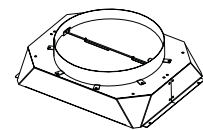
- Ensamble de la tapa del conducto con la tapa superior e inferior y el marco de soporte
- Filtros de grasa con malla
- Ensamble del regulador
- Bolsa de materiales
- Ensamble del cuerpo de la campana
- Plantilla de instalación



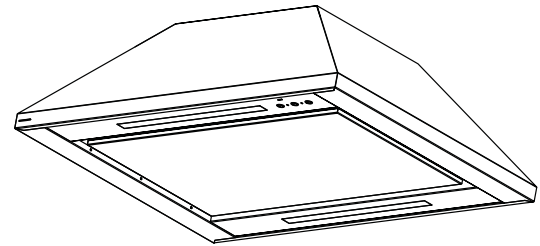
Ensamble para Marco de Soporte y Tapa del Conducto



2 Filtros de Grasa con Malla (modelo de 36") o 3 Filtros (modelo de 48")



Ensamble del Regulador de 8" (modelo de 36") o 10" (modelo de 48")

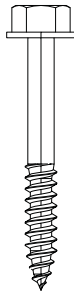


Ensamble del Cuerpo de la Campana

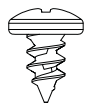
Contenidos de la Bolsa de Materiales



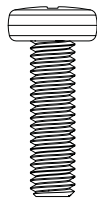
4 Tornillos con cabeza hexagonal para torx T20/ 7mm para Instalación de Campana a Chimenea



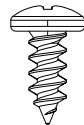
4 Tornillos con cabeza hexagonal para torx T20/ 7mm para Instalación en Cielorraso



6 Tornillos de 2.9 x 6mm para Regulador



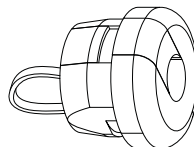
22 Tornillos M4 x 13mm para Extractor y Estructura de Soporte



2 Tornillos de 3.1 x 9.5mm para Detención de la Tapa del Conducto



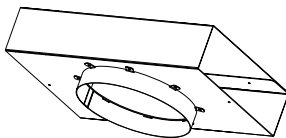
1 Clip Autoadhesivo para Cable



1 Suspensor para Cable con Aliviador de Tensión y Buje 6N-4

ACCESORIOS NO INCLUIDOS

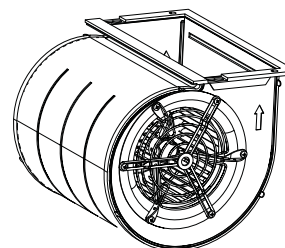
- Ensamble del Extractor (Integral o en línea)
- Caja de recirculación y filtros de carbón (36" únicamente)



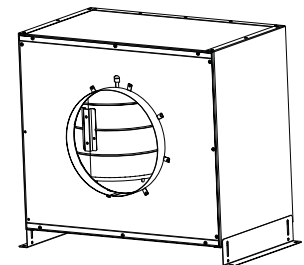
Caja de Recirculación (UXIN36)



2 Filtros de Carbón (UXCF91)



Extractor Integral (WB26X40949)

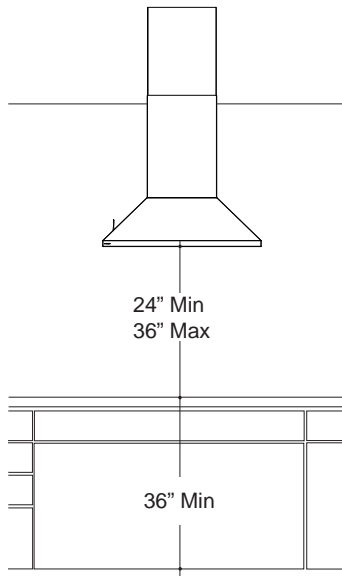


Extractor en Línea (ZXR6101 Single ZXR1220 Dual)

Preparación para la instalación

DETERMINE LA ALTURA DE INSTALACIÓN

- Se ofrecen cubiertas de conducto plegables para ocultar los conductos que se extienden hasta el cielorraso.
- Esta campana se podrá instalar para el funcionamiento de ventilación. El modelo ZVIS361 se podrá instalar para el funcionamiento de recirculación con el kit de accesorios UXIN36 y los filtros de carbón UXCF91.



NOTA: La altura de instalación debe medirse desde la superficie de cocción hasta la parte inferior de la campana.

La campana de ventilación debe instalarse a un mín. de 24" y un máx. de 36" sobre la superficie de cocción. La altura de instalación de la campana, desde la superficie de cocción hasta la parte inferior de la campana, depende de la altura del cielorraso y de las limitaciones de la cubierta de conducto.

DIMENSIONES DE LA CUBIERTA DE CONDUCTO

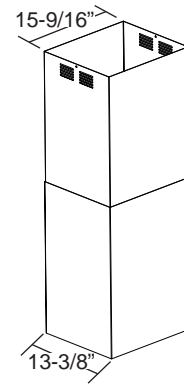
La versión de la tapa del conducto de 10' se incluye con la campana. Las tapas de conductos incluyen una estructura ajustable.

Accesorios Opcionales de la Tapa del Conducto

ZX8IC1SRSS – Cielorraso a 8'

ZX12IC1SRSS – Cielorraso a 12'

ZX14IC1SRSS – Cielorraso a 14'



Preparación para la instalación

Accesorio Incluido				
Tapa del Conducto del Cielorraso Alto de hasta 10 pies				
Altura del Cielorraso (pies/ pulg.)	Instalación sobre Estufa Eléctrica		Instalación sobre Estufa a Gas	
	Altura de Instalación con Ventilación	Altura de Instalación con Recirculación	Altura de Instalación con Ventilación	Altura de Instalación con Recirculación
8' 5"	24	24		
8' 6"	24 - 25	24 - 25		
8' 7"	24 - 26	24 - 26		
8' 8"	24 - 27	24 - 27		
8' 9"	24 - 28	24 - 28		
8' 10"	24 - 29	24 - 29		
8' 11"	24 - 30	24 - 30		
9' 0"	24 - 31	24 - 31		
9' 1"	24 - 32	24 - 32	30	30
9' 2"	24 - 33	24 - 33	30 - 31	30 - 31
9' 3"	24 - 34	24 - 34	30 - 32	30 - 32
9' 4"	25 - 35	24 - 35	30 - 33	30 - 33
9' 5"	26 - 36	24 - 36	30 - 34	30 - 34
9' 6"	27 - 36		30 - 35	30 - 35
9' 7"	28 - 26	25 - 36	30 - 36	30 - 36
9' 8"	29 - 36	26 - 36		
9' 9"	30 - 36	27 - 36		
9' 10"	31 - 36	28 - 26		
9' 11"	32 - 36	29 - 36		
10' 0"	33 - 36	30 - 36	31 - 36	
10' 1"	34 - 36	31 - 36	32 - 36	
10' 2"	35 - 36	32 - 36	33 - 36	
10' 3"	36	33 - 36	34 - 36	31 - 36
10' 4"		34 - 36	35 - 36	32 - 36
10' 5"		35 - 36	36	33 - 36
10' 6"		36		34 - 36
10' 7"				35 - 36
10' 8"				36

Accesorio opcional ZX8IC1SRSS				
Tapa del Conducto del Cielorraso Alto de hasta 8 pies				
Altura del Cielorraso (pies/ pulg.)	Instalación sobre Estufa Eléctrica		Instalación sobre Estufa a Gas	
	Altura de Instalación con Ventilación	Altura de Instalación con Recirculación	Altura de Instalación con Ventilación	Altura de Instalación con Recirculación
8' 1"	24	24		
8' 2"	24 - 25	24 - 25		
8' 3"	24 - 26	24 - 26		
8' 4"	24 - 27	24 - 27		
8' 5"	24 - 28	24 - 28		
8' 6"	24 - 29	24 - 29		
8' 7"	25 - 30	24 - 30		
8' 8"	26 - 31	24 - 31		
8' 9"	27 - 32	24 - 32	30	30
8' 10"	28 - 33	25 - 33	30 - 31	30 - 31
8' 11"	29 - 34	26 - 34	30 - 32	30 - 32
9' 0"	30 - 35	27 - 35	30 - 33	30 - 33
9' 1"	31 - 36	28 - 36	30 - 34	30 - 34
9' 2"	32 - 36	29 - 36	30 - 35	30 - 35
9' 3"	33 - 36	30 - 36	31 - 36	30 - 36
9' 4"	34 - 36	31 - 36	32 - 36	
9' 5"	35 - 36	32 - 36	33 - 36	
9' 6"	36	33 - 36	34 - 36	31 - 36
9' 7"		34 - 36	35 - 36	32 - 36
9' 8"		35 - 36	36	33 - 36
9' 9"		36		34 - 36
9' 10"				35 - 36
9' 11"				36

Preparación para la instalación

Accesorio opcional ZX12IC1SRSS						
Tapa del Conducto del Cielorraso Alto de hasta 12 pies						
Altura del Cielorraso (pies/ pulg.)	Instalación sobre Estufa Eléctrica		Instalación sobre Estufa a Gas			
	Altura de Instalación con Ventilación	Altura de Instalación con Recirculación	Altura de Instalación con Ventilación	Altura de Instalación con Recirculación		
9' 2"	24	24				
9' 3"	24 - 25	24 - 25				
9' 4"	24 - 26	24 - 26				
9' 5"	24 - 27	24 - 27				
9' 6"	24 - 28	24 - 28				
9' 7"	24 - 29	24 - 29				
9' 8"	24 - 30	24 - 30				
9' 9"	24 - 31	24 - 31				
9' 10"	24 - 32	24 - 32	30	30		
9' 11"	24 - 33	24 - 33	30 - 31	30 - 31		
10' 0"	24 - 34	24 - 34	30 - 32	30 - 32		
10' 1"	24 - 35	24 - 35	30 - 33	30 - 33		
10' 2"	24 - 36	24 - 36	30 - 34	30 - 34		
10' 3"			30 - 35	30 - 35		
10' 4"			30 - 36	30 - 36	30 - 36	
10' 5"						
10' 6"						
10' 7"						
10' 8"						
10' 9"						
10' 10"						25 - 36
10' 11"						26 - 36
11' 0"	27 - 36					
11' 1"	28 - 26	25 - 36				
11' 2"	29 - 36	26 - 36				
11' 3"	30 - 36	27 - 36				
11' 4"	31 - 36	28 - 26				
11' 5"	32 - 36	29 - 36				
11' 6"	33 - 36	30 - 36	31 - 36			
11' 7"	34 - 36	31 - 36	32 - 36			
11' 8"	35 - 36	32 - 36	33 - 36			
11' 9"	36	33 - 36	34 - 36	31 - 36		
11' 10"		34 - 36	35 - 36	32 - 36		
11' 11"		35 - 36	36	33 - 36		
12' 0"		36		34 - 36		
12' 1"				35 - 36		
12' 2"				36		

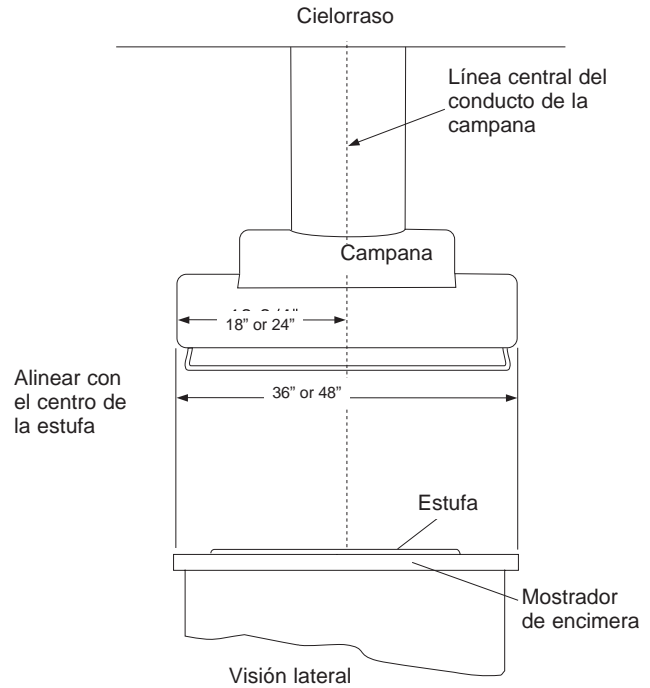
Accesorio opcional ZX14IC1SRSS						
Tapa del Conducto del Cielorraso Alto de hasta 14 pies						
Altura del Cielorraso (pies/ pulg.)	Instalación sobre Estufa Eléctrica		Instalación sobre Estufa a Gas			
	Altura de Instalación con Ventilación	Altura de Instalación con Recirculación	Altura de Instalación con Ventilación	Altura de Instalación con Recirculación		
10' 2"	24	24				
10' 3"	24 - 25	24 - 25				
10' 4"	24 - 26	24 - 26				
10' 5"	24 - 27	24 - 27				
10' 6"	24 - 28	24 - 28				
10' 7"	24 - 29	24 - 29				
10' 8"	24 - 30	24 - 30				
10' 9"	24 - 31	24 - 31				
10' 10"	24 - 32	24 - 32	30	30		
10' 11"	24 - 33	24 - 33	30 - 31	30 - 31		
11' 0"	24 - 34	24 - 34	30 - 32	30 - 32		
11' 1"	24 - 35	24 - 35	30 - 33	30 - 33		
11' 2"	24 - 36	24 - 36	30 - 34	30 - 34		
11' 3"			30 - 35	30 - 35		
11' 4"			30 - 36	30 - 36	30 - 36	
11' 5"						
11' 6"						
11' 7"						
11' 8"						
11' 9"						
11' 10"						24 - 36
11' 11"						25 - 36
12' 0"	26 - 36					
12' 1"	27 - 36					
12' 2"		24 - 36	30 - 36	30 - 36		
12' 3"						
12' 4"						
12' 5"						
12' 6"						
12' 7"						
12' 8"						
12' 9"						
12' 10"	25 - 36					
12' 11"	26 - 36					
13' 0"	27 - 36					
13' 1"	28 - 26	25 - 36				
13' 2"	29 - 36	26 - 36				
13' 3"	30 - 36	27 - 36				
13' 4"	31 - 36	28 - 26				
13' 5"	32 - 36	29 - 36				
13' 6"	33 - 36	30 - 36	31 - 36			
13' 7"	34 - 36	31 - 36	32 - 36			
13' 8"	35 - 36	32 - 36	33 - 36			
13' 9"	36	33 - 36	34 - 36	31 - 36		
13' 10"		34 - 36	35 - 36	32 - 36		
13' 11"		35 - 36	36	33 - 36		
14' 0"		36		34 - 36		
14' 1"				35 - 36		
14' 2"				36		

Preparación para la instalación

CONSTRUYA EL SOPORTE DEL CIELORRASO

Planifique la ubicación de la campana y del conducto

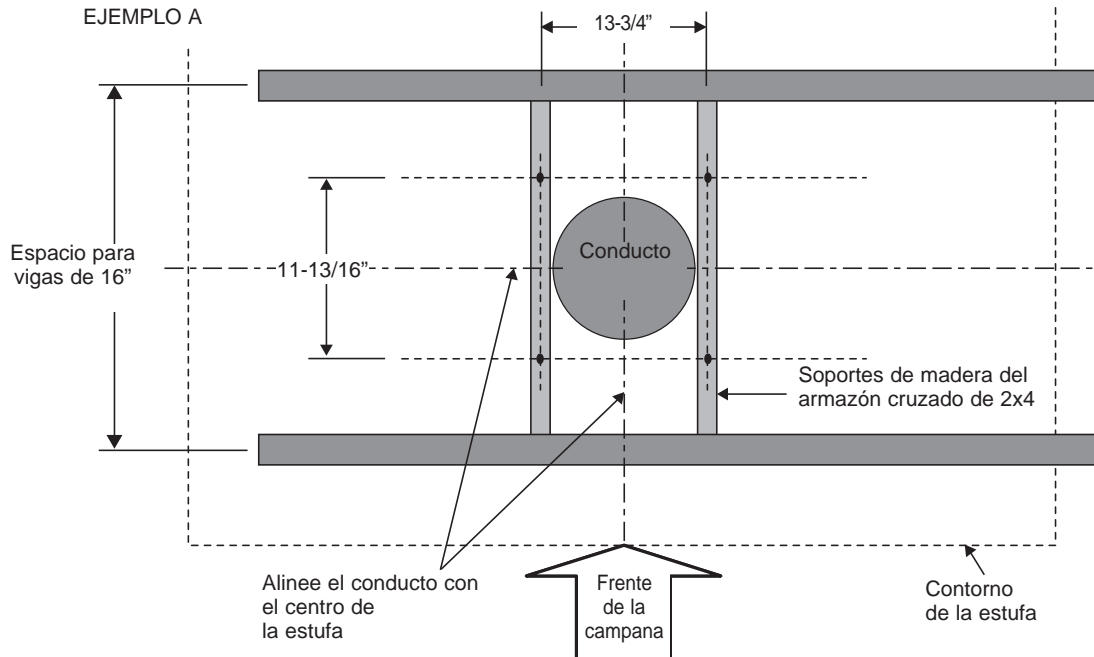
- Utilice una plomada para verificar la ubicación.
 - El mostrador de encimera/la estufa debajo de la campana deben centrarse respecto de la campana.
- La campana debe extenderse más allá de los bordes frontal y trasero del aparato de cocción.
- El conducto del cielorraso debe centrarse sobre la estufa.



Estructura del soporte de cielorraso

- En la ubicación de la campana, instale un armazón cruzado entre las vigas del cielorraso como se indica. (Se requieren soportes de madera de 2x4 para sostener el peso de la campana).
- Coloque el armazón cruzado en el cielorraso de modo que se ajuste a la estructura existente.
- Las vigas del cielorraso serán como uno de los siguientes ejemplos.

Instale el armazón cruzado en forma simétrica sobre la línea central del conducto/estufa



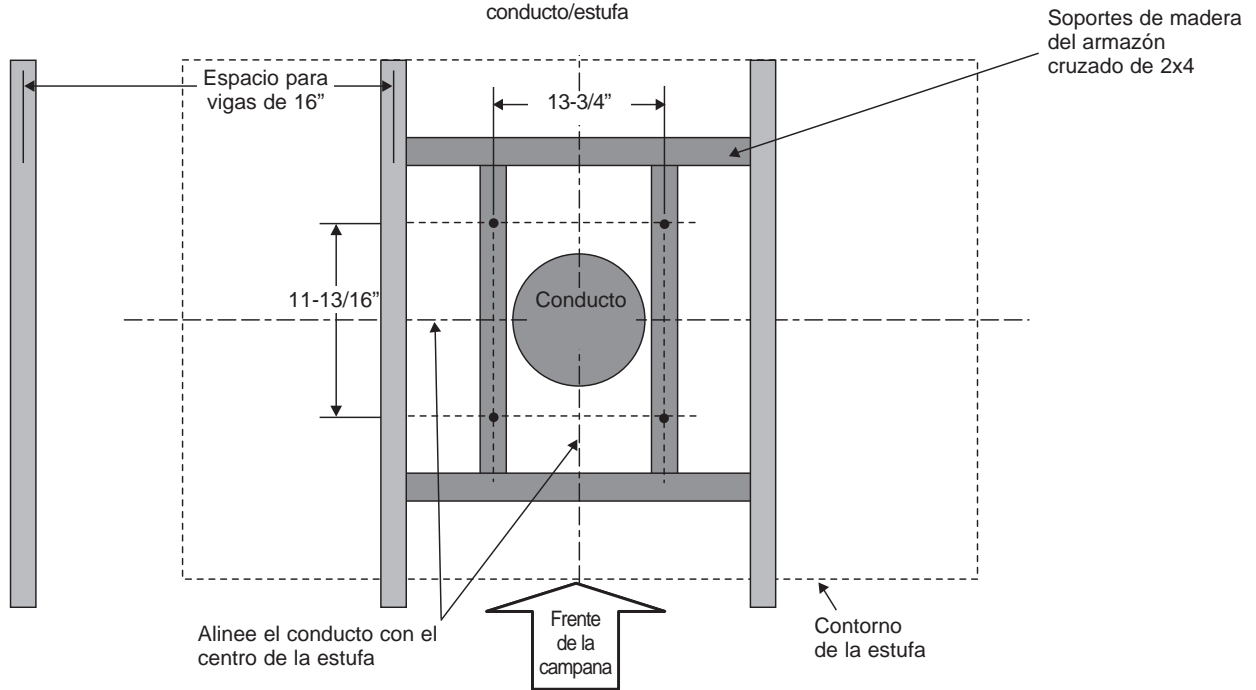
Visión superior – vigas del cielorraso paralelas al frente de la campana

Preparación para la instalación

CONSTRUYA EL SOPORTE DEL CIELORRASO (cont.)

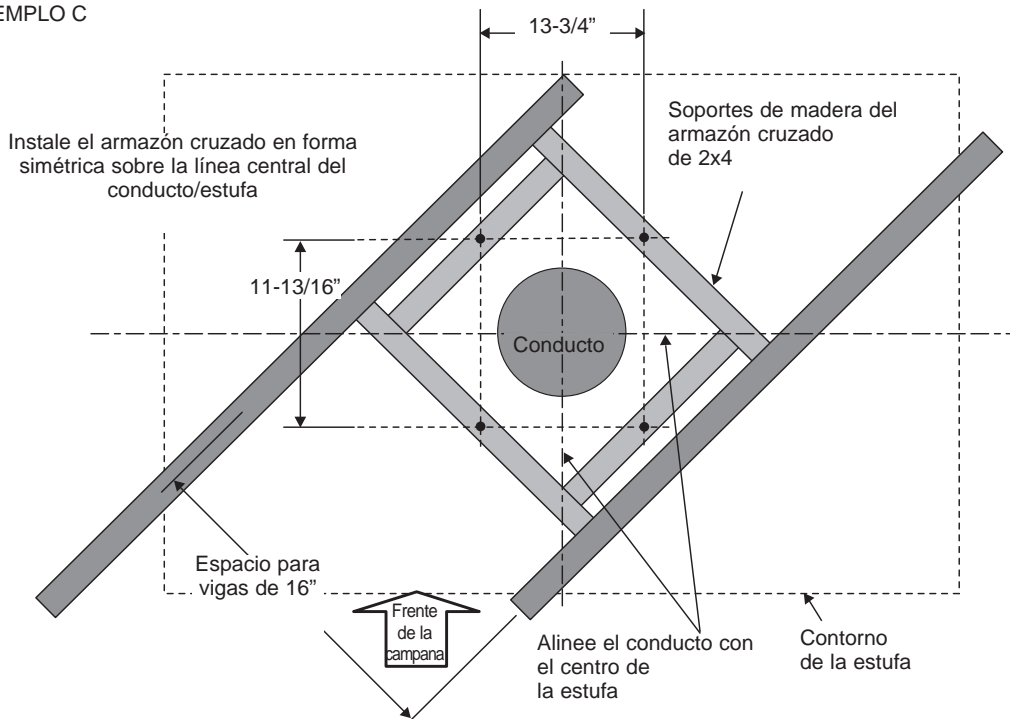
EJEMPLO B

Instale el armazón cruzado en forma simétrica sobre la línea central del conducto/estufa



Visión superior – las vigas del cielorraso corren perpendiculares al frente de la campana

EJEMPLO C



Visión superior – vigas del cielorraso en ángulo con el frente de la campana

Preparación para la instalación

CONSTRUYA EL SOPORTE DEL CIELORRASO (Cont.)

- Fije cada bloque de 2 x 4 con por lo menos cuatro (4) tornillos para madera N°10 de 3" de largo (no provistos). Utilice un total de 8 tornillos para madera para los dos soportes.
- El armazón cruzado debe estar precisamente alineado para garantizar una posición correcta de la campana.
- El armazón cruzado debe estar nivelado en todas las direcciones. Controle con un nivel de burbuja y ajuste si hiciera falta.

IMPORTANTE: La estructura del cielorraso debe poder soportar el peso de la campana (aproximadamente 200 libras) y las cargas de contacto involuntarias ejercidas por el usuario. El armazón de la campana tendrá el soporte de un armazón cruzado de 2 x 4.

Conductos para instalaciones con ventilación hacia el exterior

- Utilice el recorrido de conductos más corto y más recto posible. Para un desempeño satisfactorio, el recorrido de los conductos no debe superar una longitud equivalente a los 100 pies para ninguna configuración de conductos.
- Consulte la tabla "Accesorios de conductos" para calcular la longitud máxima permisible para recorridos de conductos hacia el exterior.
- Si se trata de una instalación de campana nueva, se deberá usar un conducto rígido circular de 8" (36") o 10" (48"). Si se trata del reemplazo de una campana existente, entonces los adaptadores se podrán usar pero se deberá observar que el funcionamiento se verá comprometido.

⚠ ADVERTENCIA PARA REDUCIR EL RIESGO DE INCENDIO, SÓLO UTILICE CONDUCTOS DE METAL RÍGIDOS.

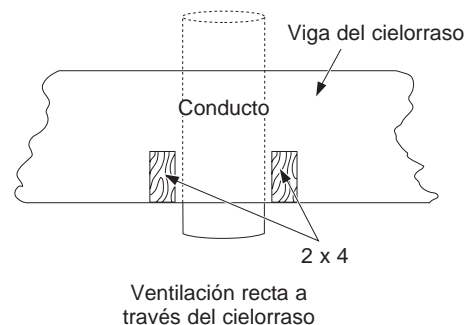
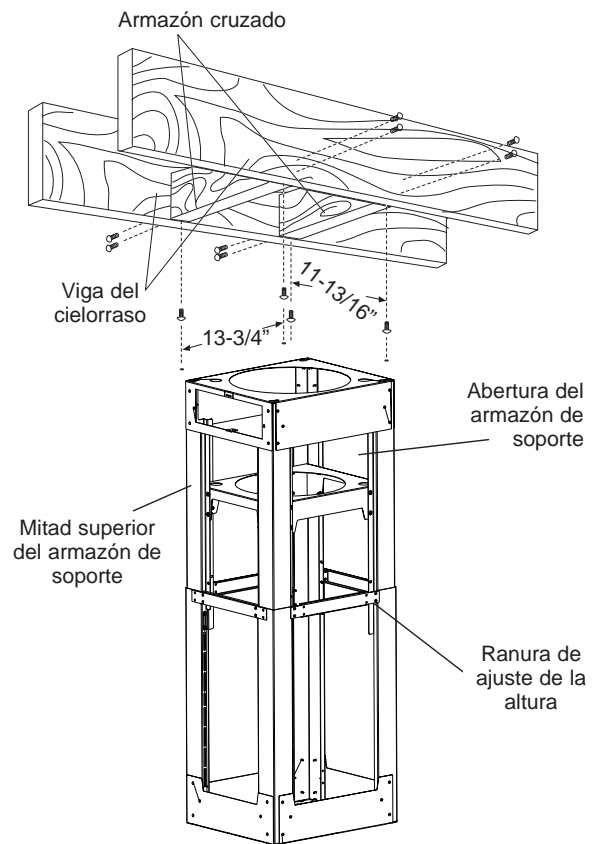
- Instale el conducto doméstico para que corra en forma horizontal entre las vigas del cielorraso o en forma recta a través del techo.

Ponga en Funcionamiento el Suministro Eléctrico

- Consulte la Página 5 para conocer los requisitos.

Finalice el cielorraso

- Finalice la superficie del cielorraso. Se recomienda dejar abierta la apertura dentro del soporte del cielorraso agregada tanto como sea posible para facilitar el resto de la instalación. Esto hace más fácil la circulación del conducto y de la electricidad. Asegúrese de marcar la ubicación de las viguetas del cielorraso y cruzar el enmarcado Y las líneas centrales en ambas direcciones, ya que serán críticas para determinar las ubicaciones de los agujeros de montaje.

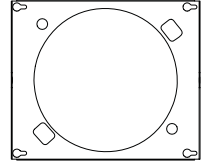


Instrucciones de instalación

INSTALACIÓN – VENTILACIÓN HACIA EL EXTERIOR

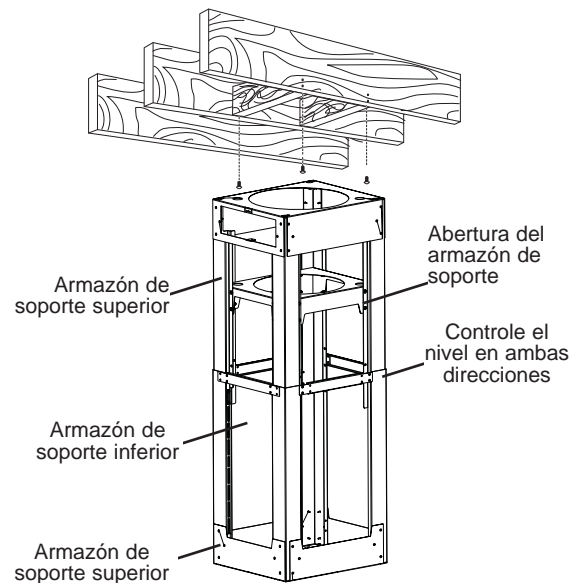
1 INSTALE LA PLANTILLA

- Alinee la plantilla con las marcas sobre el cielorraso y adhiérala en su lugar con cinta adhesiva.
 - Asegúrese de que la plantilla esté bien orientada respecto del frente de la campana.
- Utilice una plomada para asegurar que los orificios de montaje brinden una alineación paralela con el mostrador de encimera de abajo.
- Marque todas las ubicaciones de los orificios con un punzón.
- Perfore orificios piloto en las 4 ubicaciones para tornillos. Utilice una broca de 5/32" y perfore con una profundidad de aproximadamente 2-1/2".
- Corte cualquier agujero para cable necesario en la ubicación(es) necesaria.
- Corte la abertura de conducto de ~ 9" (36") or ~ 11" (48") a través del cielorraso.



2 INSTALE EL ARMAZÓN DE SOPORTE SUPERIOR

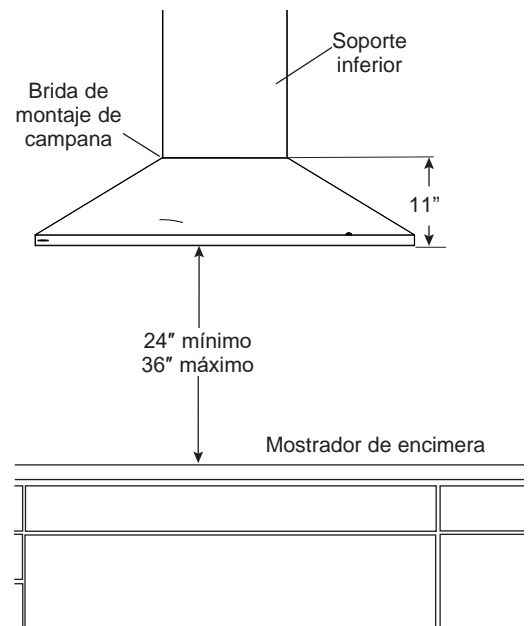
- El ensamble del enmarcado viene parcialmente ensamblado. Se recomienda desensamblar el marco Inferior del marco Superior para facilitar la instalación. Esto requerirá el retiro de 4 tornillos de la parte ranurada de las patas y luego empujar el marco Inferior del marco Superior.
- Usando una llave torx T20 o una llave de tubo de 7mm, asegure el marco del soporte superior a las viguetas del cielorraso y/o al marco cruzado con los 4 tornillos provistos. Para una máxima rigidez y resistencia, los tornillos se deberán pasar por el centro de las viguetas y/o del marco cruzado.
- El soporte interior con marco Superior se asegura con un total de 16 tornillos. 8 de los tornillos ya están instalados y 8 se encuentran en la bolsa de materiales. Instale los 8 tornillos y ajuste los 16.
- Verifique que el armazón de soporte esté nivelado, en forma vertical y horizontal.



3 INSTALE EL ARMAZÓN DE SOPORTE INFERIOR

- Introduzca el armazón de soporte inferior en el armazón de soporte superior y coloque los 8 tornillos (4 en el frente y 4 en la parte trasera).
- Ajuste el armazón de soporte inferior hacia arriba o abajo hasta alcanzar la altura deseada sobre el mostrador de encimera. Ajuste los tornillos.

IMPORTANTE: Verifique una vez más que el soporte esté nivelado en ambas direcciones. No hay manera de nivelar la campana después de haberla fijado al armazón.

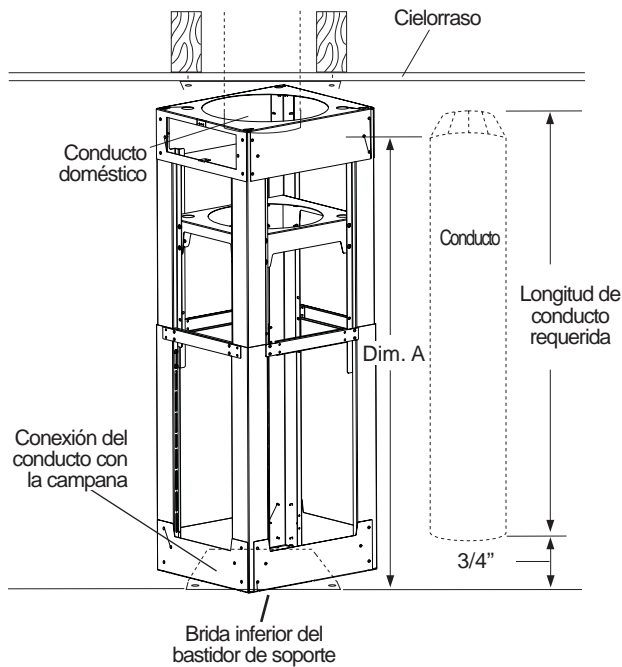


Instrucciones de instalación

INSTALACIÓN—VENTILACIÓN HACIA EL EXTERIOR

4 MIDA E INSTALE LOS CONDUCTOS

- Mida desde el conducto doméstico (Dim. A) hasta la parte inferior del armazón de soporte.
 - Agregue por lo menos 1" para la superposición de conductos en la parte superior.
 - Reste 3/4" para poder introducir la campana en la parte inferior del armazón.



- Corte el conducto con la longitud apropiada.
- NOTE:** El extremo inferior del conducto debe ser un poco abierto para facilitar la instalación de la campana.
- Instale el conducto a través de los armazones de soporte dentro del conducto doméstico. Empuje el conducto hacia arriba hasta que se encuentre a 3/4" desde la parte inferior de la brida del armazón de soporte.
 - Fije el conducto a la conexión del conducto doméstico con tornillos y selle con cinta aislante.
 - Selle la conexión del conducto con cinta aislante, verificando que la conexión esté bien instalada en su lugar.

5 CONECTE LOS ELEMENTOS ELÉCTRICOS

Verifique que la energía esté cortada en la fuente.

⚠ ADVERTENCIA Si el cableado doméstico no cuenta con un cable de 2 hilos con conexión a tierra, un instalador debe realizar una conexión a tierra. Cuando el cableado doméstico es de aluminio, asegúrese de usar un compuesto antioxidante y conectores de aluminio a cobre aprobados por UL.

- Instale el alivio de tensión en el calado de la tapa de la caja de conexiones.
- Introduzca el cableado doméstico a través del alivio de tensión y ajuste.
- Conecte los cables blancos al cable blanco del circuito derivado.
- Conecte los cables negros al cable negro del circuito derivado.
- Conecte los cables verdes/amarillos al cable verde o pelado con conexión a tierra del circuito derivado.
- Ajuste todas las conexiones con tapones de alambre sobre cada conector eléctrico.
- Empuje los cables dentro de la caja de conexiones y vuelva a colocar la tapa. Verifique que los cables no sufran pellizcos.

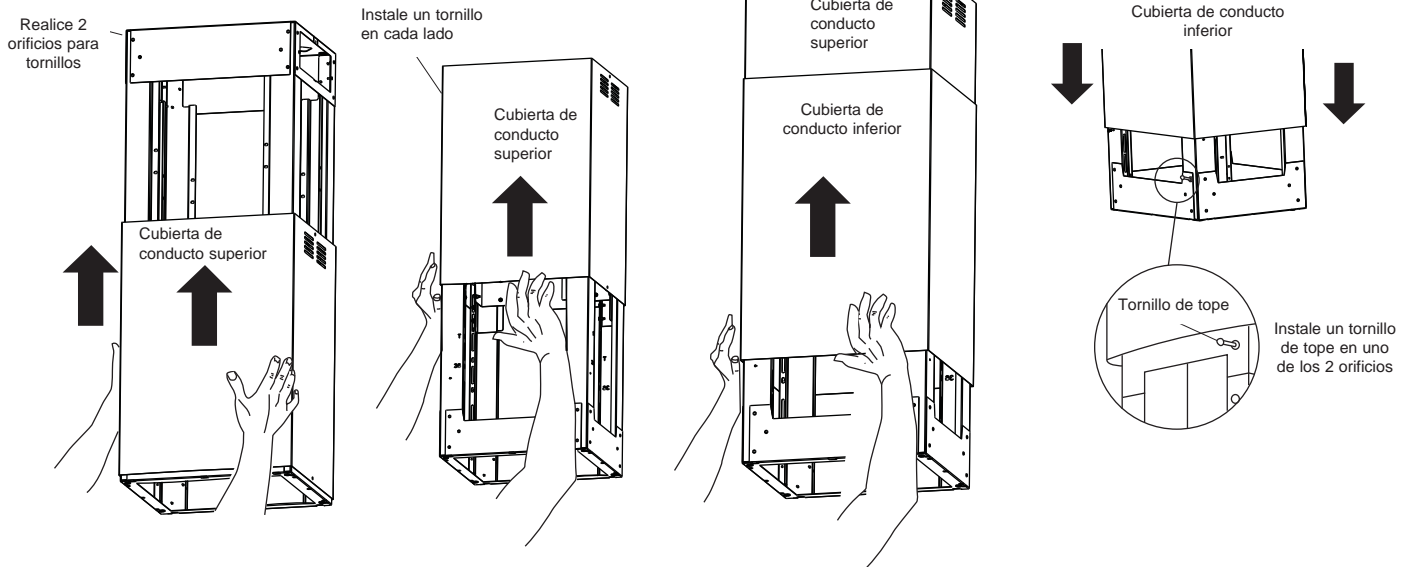
NOTA: Para una instalación con cables:

use la misma sólo con los kits de conexión de cables para campanas de cocina que fueron investigados y que se encontró que su uso es aceptable con este modelo de campana para cocina.

Instrucciones de instalación

INSTALACIÓN – VENTILACIÓN HACIA EL EXTERIOR

6 INSTALE LAS CUBIERTAS DE CONDUCTO DECORATIVAS



- Realice un orificio o introduzca un tornillo decorativo en los orificios de tornillos del armazón de soporte. Esto facilitará la instalación de los tornillos.
- Separe las dos cubiertas de conducto decorativas.
- Elija la cubierta interna o superior con el patrón de orificios de ventilación en un extremo.

Para esta instalación con ventilación hacia el exterior, el patrón de orificios debe ubicarse en la parte inferior.

- Ubique los 2 tornillos de cubierta de conducto provistos.
- Deslice la cubierta de conducto decorativa sobre el armazón de soporte y presione hacia el cielorraso.
- Sujete la cubierta de conducto interior al soporte de la campana en la parte superior con los 2 tornillos para cubierta de conducto provistos.

- Ubique el tornillo de tope en la bolsa de piezas.
- Instale el tornillo de tope en uno de los dos orificios y ajuste contra el armazón para permitir que la segunda cubierta de conducto se deslice hacia arriba y pase por encima.
- Deslice la cubierta de conducto inferior sobre la cubierta de conducto superior instalada y presione hacia arriba pasando la ubicación de tornillo de tope.
- Tire hacia atrás el tornillo de tope lo suficiente como para sostener la cubierta de conducto inferior y evitar que se deslice hacia abajo sobre la parte superior de la campana.

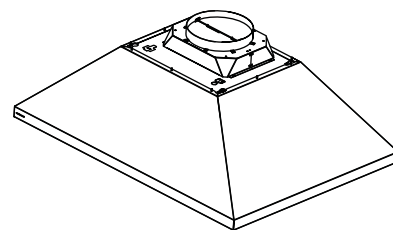
⚠ PRECAUCIÓN

El tornillo de tope debe instalarse. No hacerlo puede provocar una lesión personal o daños a la cubierta de conducto.

7 INSTALE EL REGULADOR

Verifique que la corriente esté apagada en la fuente.

- Usando los 4 tornillos provistos, adhiera el regulador al cuerpo de la campana.
- Selle el cuerpo del regulador al cuerpo con cinta para conducto de aluminio.



Instrucciones de instalación

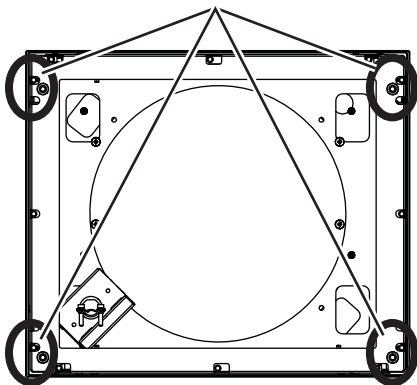
INSTALACIÓN—VENTILACIÓN HACIA EL EXTERIOR

8 INSTALE LA CAMPANA

▲PRECAUCIÓN Se requieren 2 personas para levantar y posicionar la campana sobre el soporte de montaje.

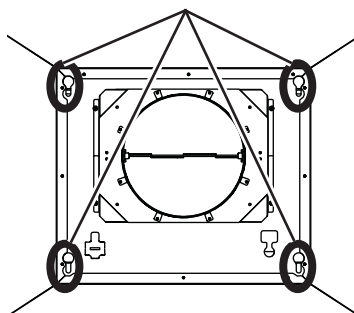
- En la parte inferior del marco, ubique los agujeros roscados e instale los 4 Tornillos de Instalación de la Campana a la Chimenea, roscándolos en aproximadamente 1".
- Levante la campana hasta el marco de soporte. Alinee los agujeros tipo cerradura del cuerpo de la campana y el resto del cuerpo de la campana sobre las cabezas de los tornillos.
- Usando una llave torx T20 o una llave de tubo de 7mm, enrosque los tornillos hasta que el cuerpo se eleve hasta el marco. Asegúrese de alinear el conducto con el conector del regulador.
- Asegúrese de que el cuerpo de la campana esté centrado y encuadrado con el marco y ajuste los tornillos.
- Enciente el conducto al regulador. No use ningún tornillo para asegurarlo, ya que esto impedirá que el regulador funcione de forma apropiada.

Agujeros Roscados

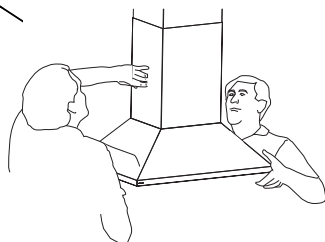


Vista Inferior del Marco

Agujeros Tipo Cerradura

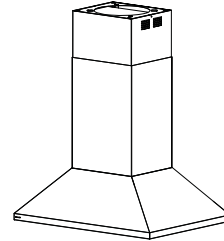


Vista Superior del Cuerpo de la Campana



9 DESLICE HACIA ABAJO LA TAPA DEL CONDUCTO

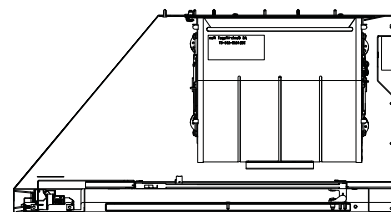
- Deslice la tapa del conducto inferior hacia arriba y sobre el tornillo de detención.
- Conduzca el tornillo de detención cerca del marco.
- Deslice la tapa del conducto inferior hacia abajo.



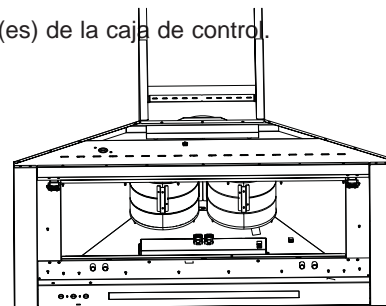
10 INSTALE EL EXTRACTOR(S) (Si es Integral)

NOTAS: Cada extractor cuenta con cuatro agujeros pasantes para asegurarlo al cuerpo de la campana con tornillos para metal, dos de los cuales son cerraduras. Los cuatro agujeros se usan con el modelo de 36" pero sólo dos se usan con el modelo de 48", ya que este último use un labio sobre el cuerpo para asegurar un lado del motor para facilitar el ensamble.

1. Observando cuáles orificios son cerraduras, preinstale los tornillos relevantes al cuerpo.
2. Instale el extractor(es) insertando y deslizando las cerradura sobre el tornillo(s).
3. Instale los tornillos restantes a través de los agujeros regulares del extractor(s) sobre el cuerpo de la campana.
4. Ajuste todos los tornillos.
5. Instale el conector del arnés del cable del extractor(s) al



conector(es) de la caja de control.



Instrucciones de instalación

INSTALACIÓN – VENTILACIÓN HACIA EL EXTERIOR

11 INSTALE LOS FILTROS

NOTA: Asegúrese de que la energía eléctrica esté apagada y que todas las superficies estén frías antes de limpiar o arreglar cualquier pieza de la campana de ventilación.

El filtro atrapa la grasa liberada por las comidas durante su cocción.

Filtro debe estar SIEMPRE en su lugar cuando la campana esté en funcionamiento. El filtro de grasa es apto para lavavajillas y debe limpiarse cada mese, o según sea necesario.

Para quitar:

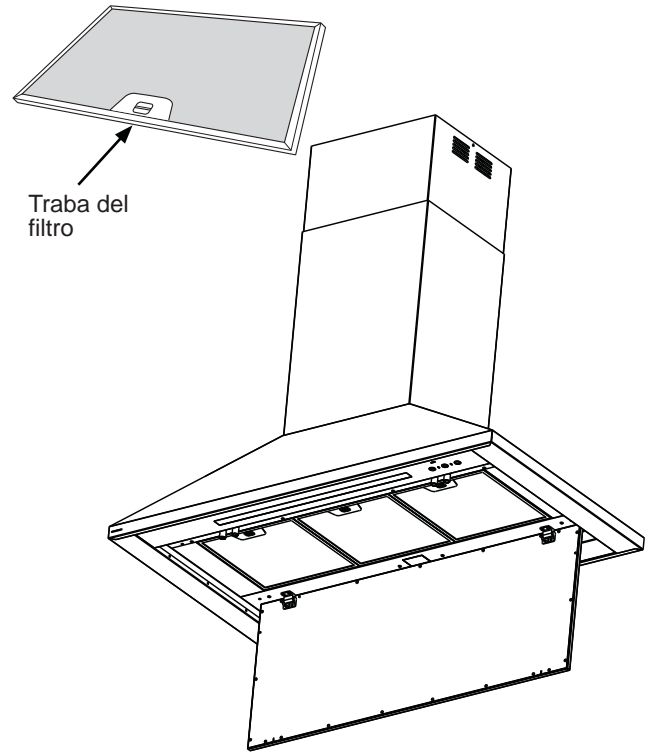
Abra con presión el panel perimetral, el cual está asegurado con imanes. Empuje hacia abajo el bloqueo del filtro para liberar este último.

Para volver a colocar:

Coloque las lengüetas en la parte inferior del filtro, detrás del estante de la apertura del filtro. Levante la cara frontal del filtro, empuje hacia abajo el bloqueo del filtro, y empuje de forma suave hasta que el filtro esté en su posición. Libere el bloqueo del filtro para asegurar el mismo en su posición. Cierre el panel perimetral.

Para limpiar el filtro, utilice agua jabonosa caliente y enjuague con agua limpia o lávelo en el lavavajillas. No utilice productos de limpieza abrasivos.

NOTA: Cierta descoloración de los filtros de grasa se podrá producir en el lavavajillas.



12 FINALICE LA INSTALACIÓN

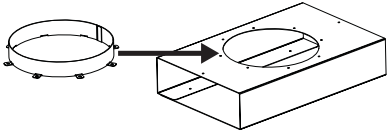
- Retire la película protectora restante de la campana.
- Asegúrese de que los filtros estén apoyados de forma correcta al ser instalados.
- Verifique que el ventilador y las luces funcionen correctamente. Consulte el Manual del propietario sobre instrucciones operativas y la solución de problemas.

Instrucciones de instalación

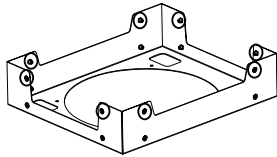
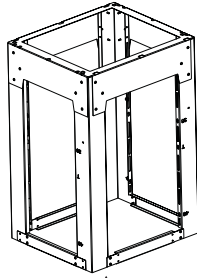
INSTALACIÓN—RECIRCULACIÓN

1 ENSAMBLE E INSTALE LA CAJA DE RECIRCULACIÓN

1. Ensamble la caja de recirculación usando 8 de los tornillos suministrados y adhiera el anillo del conducto a la caja..



2. Coloque el ensamble de la estructura boca abajo.
3. Retire los 4 tornillos que sostienen parcialmente la estructura de la tapa del conducto superior al marco inferior y retire el marco del conducto superior desde el marco inferior.

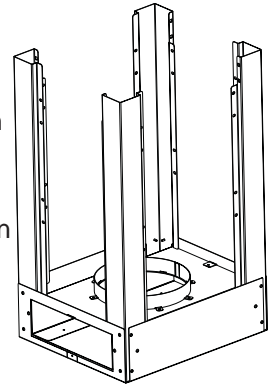


4. Retire los 8 tornillos que sostienen parcialmente el soporte adicional del marco desde el marco superior.

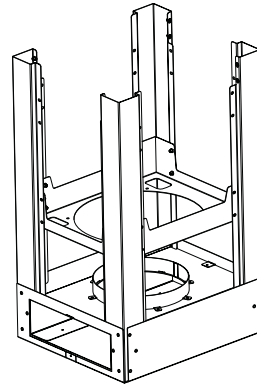
5. Incline las lengüetas del ángulo de apoyo del marco superior hacia adentro.

6. Posicione la caja de recirculación de modo que las lengüetas queden alineadas con la caja.

7. Adhiera la caja de recirculación al marco superior asegurando un tornillo sobre cada lengüeta en cada extremo de la caja.

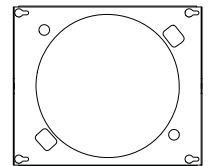


8. Vuelva a adherir el soporte adicional del marco con los 8 tornillos retirados y los 8 tornillos adicionales en la bolsa de materiales.



2 INSTALE LA PLANTILLA

- Alinee la plantilla con las marcas sobre el cielorraso y adhiérala en su lugar con cinta adhesiva.
 - Asegúrese de que la plantilla esté bien orientada respecto del frente de la campana.
- Utilice una plomada para asegurar que los orificios de montaje brinden una alineación paralela con el mostrador de encimera de abajo.
- Marque todas las ubicaciones de los orificios con un punzón.
- Perfore orificios piloto en las 4 ubicaciones para tornillos. Utilice una broca de 5/32" y perfore con una profundidad de aproximadamente 2-1/2".
- Corte cualquier agujero para cable necesario en la ubicación(es) necesaria.
- Corte la abertura de conducto de ~ 9" (36") or ~ 11" (48") a través del cielorraso.



Instrucciones de instalación

INSTALACIÓN—RECIRCULACIÓN

3 SIGA LOS PASOS 1 A 3 EN LA PÁGINA 13 PARA INSTALAR EL MARCO

6 SIGA LOS PASOS 8 Y 9 EN LA PÁGINA 16 PARA INSTALAR EL CUERPO DE LA CAMPANA Y DESLIZAR LA TAPA DEL CONDUCTO

4 SIGA LOS PASOS 4 Y 5 EN LA PÁGINA 14 PARA INSTALAR EL CONDUCTO

NOTA: Con la excepción del conducto se adherirá a la caja de recirculación el anillo del conducto, en lugar del conducto de ventilación de la casa.

7 SIGA EL PASO 10 EN LA PÁGINA 16 PARA LA INSTALACIÓN DEL EXTRACTOR

5 SIGA LOS PASOS 6 Y 7 EN LA PÁGINA 15 PARA INSTALAR LAS TAPAS DE CONDUCTO

NOTA: Con la excepción de la tapa del conducto superior, estarán visibles las rejillas de recirculación en la parte superior.

Instrucciones de instalación

INSTALLATION—RECIRCULATING

8 INSTALE LOS FILTROS

Asegúrese de que la energía eléctrica esté apagada y que todas las superficies estén frías antes de limpiar o arreglar cualquier pieza de la campana de ventilación.

Filtro de grasa

El filtro atrapa la grasa liberada por las comidas durante su cocción.

Filtro debe estar SIEMPRE en su lugar cuando la campana esté en funcionamiento. El filtro de grasa es apto para lavavajillas y debe limpiarse cada mese, o según sea necesario.

Para quitar:

Abra con presión el panel perimetral, el cual está asegurado con imanes. Empuje hacia abajo el bloqueo del filtro para liberar este último.

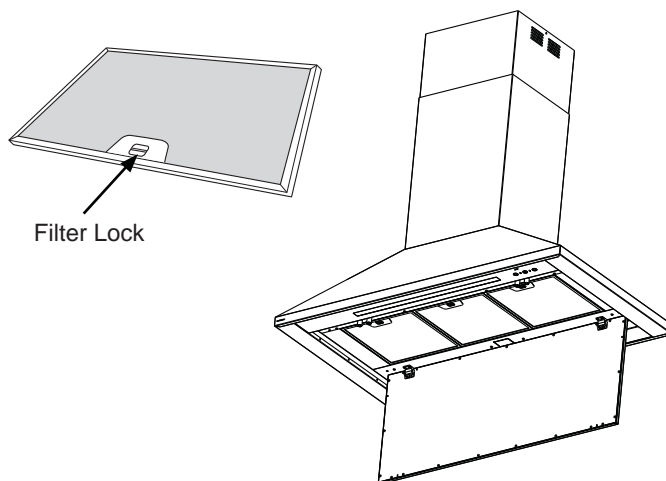
Para volver a colocar:

Coloque las lengüetas en la parte inferior del filtro, detrás del estante de la apertura del filtro. Levante la cara frontal del filtro, empuje hacia abajo el bloqueo del filtro, y empuje de forma suave hasta que el filtro esté en su posición. Libere el bloqueo del filtro para asegurar el mismo en su posición.

Cierre el panel perimetral.

Para limpiar el filtro, utilice agua jabonosa caliente y enjuague con agua limpia o lávelo en el lavavajillas. No utilice productos de limpieza abrasivos.

NOTA: Cierta descoloración de los filtros de grasa se podrá producir en el lavavajillas.



Filtro de carbón (Sólo Para Instalación con Recirculación)

NOTA: NO enjuague o coloque el filtro de carbón en el lavavajillas automático.

El filtro de carbón **NO** está incluido con la unidad. **Solicite el filtro de carbón UXCF91. Debe ser reemplazado. Se recomienda que el filtro de carbón sea reemplazado cada entre 6 meses, o si se encuentra notoriamente sucio o descolorido.**

A fin de reducir el riesgo de incendios y descargas, al usar el modo de recirculación utilice sólo el filtro de carbón UXCF91.

Para consultar sobre la compra de filtros de carbón de repuesto o para encontrar la ubicación del distribuidor más cercano a su domicilio, llame a nuestro número gratuito:

Centro nacional de piezas 800.626.2002

Para instalar

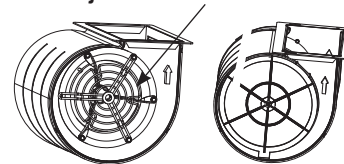
1. Retire los filtros de grasa. Consulte la sección de Filtros.

2. Instale los montajes del filtro de carbón sobre cada lado del motor, usando tres tornillos por lado.
3. Inserte la lengüeta que se encuentra en el filtro de carbón dentro de la ranura triangular del montaje.
4. Enganche el filtro de carbón hasta que quede bloqueado.
5. Repita esto con el segundo filtro del otro lado del motor.
6. Vuelva a adherir los filtros metálicos. Consulte la sección de Filtros.

Para retirar

1. Retire los filtros de grasa – Consulte la sección de Filtros
2. Desenganche el filtro de carbón presionando el sujetador para liberarlo.
3. Con cuidado retire el filtro de carbón de la lengüeta.

Montaje del Filtro de Carbón



9 FINALICE LA INSTALACIÓN

- Quite la película protectora que cubre el panel de control sobre la parte frontal de la campana y cualquier material de empaque restante.
- Asegúrese de que los filtros estén bien colocados y que la luz del filtro no esté encendida.

- Verifique que el ventilador y las luces funcionen correctamente. Consulte el Manual del propietario sobre instrucciones operativas y la solución de problemas.

Instrucciones de instalación

TECNOLOGÍA DE REPOSICIÓN DE AIRE (solo para 36")

Esta operación deberá ser realizada por un técnico o instalador calificado.

Nota para los Instaladores e Inspectores: Este producto está equipado con una función de instalación simple que limita los niveles máximos de CFM, a fin de cumplir con ciertos códigos o regulaciones locales. Es posible que este método de instalación no sea necesario en todas las instalaciones; para acceder a más pautas, por favor consulte sus códigos locales.

Esta función de reposición de aire se aplica a modelos con un solo motor únicamente.

⚠PRECAUCIÓN

La campana deberá ser desconectada de la alimentación de corriente principal siguiendo las instrucciones de conversión que figuran a continuación. Si no se siguen estos pasos, se podrán producir lesiones personales o daños sobre el producto.

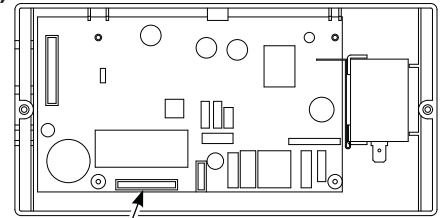
A fin de modificar la unidad (si es necesario para cumplir con los códigos locales):

390CFM

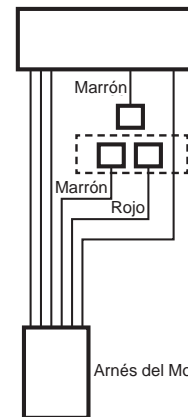
Por diseño, la velocidad máxima del calefactor es superior a los 400 CFM. Si los códigos locales requieren una reducción de los CFM, modifique el cableado como se describe a continuación:

1. Retire los filtros de los deflectores.
2. Desconecte todos los arneses de la parte superior de la caja de control sobre el lado derecho del motor.
3. Afloje los tornillos sobre la parte superior de la caja de control y deslice la misma para retirarla de la campana.
4. Desinstale la tapa de la caja de control.
5. Para un máximo de 390 CFM, la unidad puede funcionar en 4 velocidades (Baja, Media, Alta, Aumentada).
 - i. Desconecte los conectores del cable **MARRÓN**.
 - ii. Retire la tapa adherida al conector del cable **ROJO**.
 - iii. Coloque el conector correspondiente al cable **MARRÓN** y al cable **ROJO**.
 - iv. Adhiera la tapa al enchufe del cable **MARRÓN** abierto.
6. Vuelva a instalar la tapa de la caja de control y asegure la caja de control al soporte de la campana, usando los dos tornillos.
7. Conecte todos los arneses sobre la caja de control.
8. Vuelva a instalar los filtros.

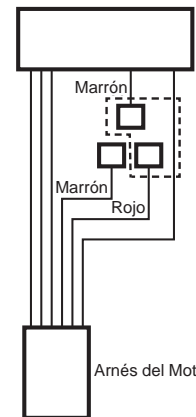
Nota para los Inspectores: A fin de verificar la instalación de este producto, controle las conexiones del cableado del motor como se describe más arriba.



Conector del Arnés del Motor



Configuración del Cableado Instalado de Fábrica



Configuración del Cableado Aumentado Máx. de 390 CFM

Para servicio técnico local Monogram® en su área, visite nuestro sitio web en monogram.com.

NOTA: La mejora de los productos es un esfuerzo continuo para Monogram Appliances. Por lo tanto, los materiales, apariencia y especificaciones pueden sufrir cambios sin previo aviso.



MONOGRAM