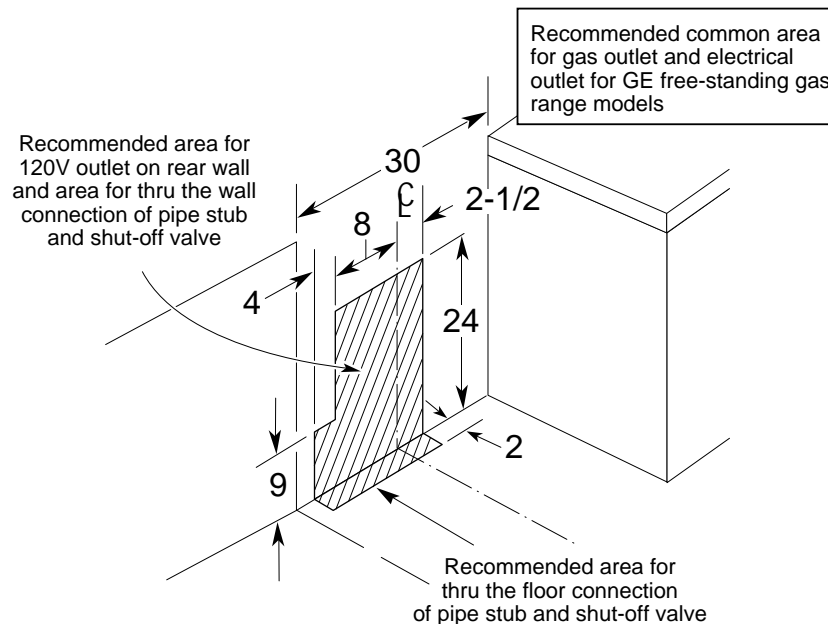
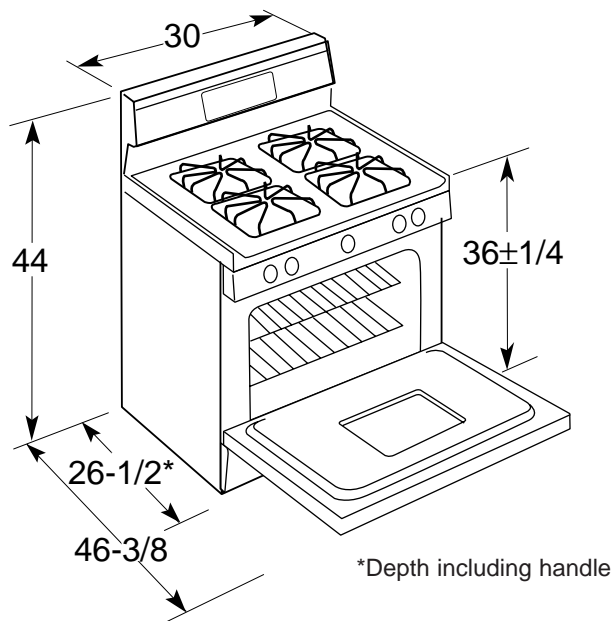


HOTPOINT

RGB525PPAWW—30" Free-Standing Gas Range

Dimensions (in inches)



Installation Information:

Dimensions shown here are the same as those shown on the installation instructions at the time this sheet was printed. Before proceeding with installation, see your Hotpoint supplier for latest detailed preparation and installation instructions or install from the instructions packed with each unit.

Optional gas range accessory drip pans:

(Available at additional cost)
To order these accessory drip pans, call toll-free 800-626-2002.

For answers to your Monogram®GE Profile Performance Series™ GE Profile™ and GE appliance questions, call GE Answer Center® service, 800.626.2000.

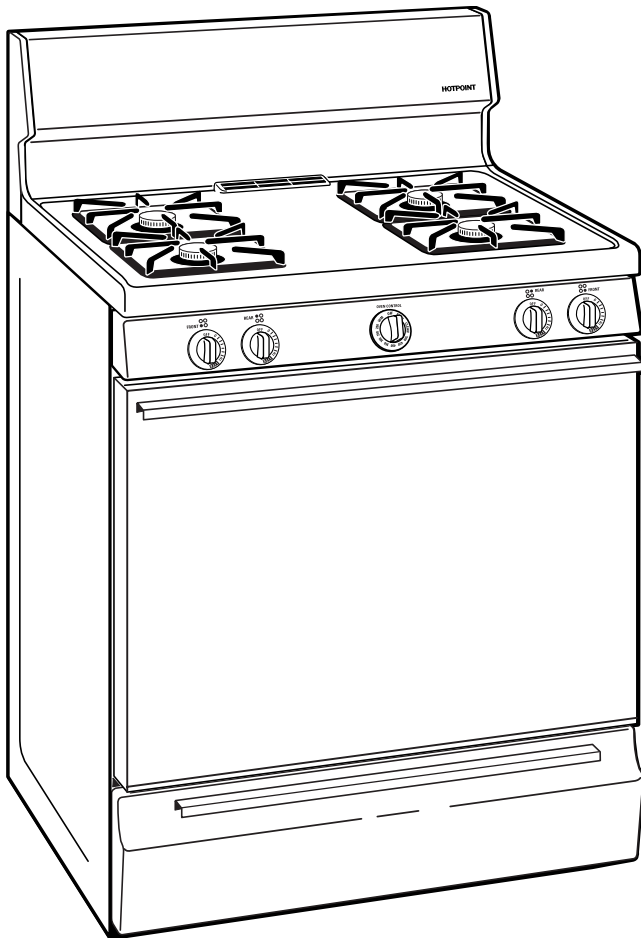


All GE ranges are equipped with an Anti-Tip device. The installation of this device is an important, required step in the installation of the range.



HOTPOINT

RGB525PPAWW—30" Free-Standing Gas Range



Features and Benefits

- Porcelain-Enameled Cooktop
- Lift-Up Cooktop with Easy-Clean Subtop
- Twin Cooktop Burners
- Grey Removable Square Grates
- Standing Pilot Ignition System
- Extra-Large Standard Clean Oven
- Slide Out Broiler Drawer
- 2 Oven Shelves / 6 Embossed Rack Positions
- Solid White Porcelain-Enameled Oven Door
- Visor-Style Handle
- Also Available with Electric Pilotless Ignition System as Model RGB525PEA
- Optional Accessory One-Piece Drip Pans Available at Additional Cost
- Model RGB525PPAWW—White on White