



# Chest Freezer

## Owner's Manual and Installation Instructions

Model: XCM22DMWW

### Contents

- Safety Information** . . . . . 3
- Using the Freezer**
  - Operation . . . . . 5
  - Features . . . . . 5
  - Defrosting Instructions . . . . . 7
- Care And Cleaning**
- Installation** . . . . . 10
- Troubleshooting Tips** . . . . . 11
  - Normal Operating Characteristics . . . 13
- Limited Warranty** . . . . . 15
- Consumer Support** . . . . . 16

Write the model and serial numbers here:

Model # \_\_\_\_\_

Serial # \_\_\_\_\_

You can find the rating label on the right hand side of the freezer above the machine compartment cover.



America's iconic brand, backed by America's best appliance warranty!  
 10 Year Limited Warranty FREE on all Crosley Appliances!

APPLIANCE	COMPONENT	MANUFACTURER'S LIMITED WARRANTY	CROSLEY'S EXTENDED LIMITED WARRANTY
Refrigerator or Freezer	Compressor	1 Year	10 Years Including 1 year Manufacturer's Coverage
Top-Load Washer	Gearcase/ Transmission	1 Year	
Front-Load Washer	Motor	1 Year	
Compact Washer	Motor	1 Year	
Washer/Dryer Stack Unit	Motor/Heating Element	1 Year	
Dishwasher	Motor	1 Year	
Gas/Electric Dryer	Motor/Heating Element	1 Year	
Electric Range	Bake/Broil/Surface Elements	1 Year	
Gas Range	Ignitors and Spark Modules	1 Year	

Visit [Crosley.com/mycrosley](http://Crosley.com/mycrosley) to register the extended limited warranty.

# IMPORTANT SAFETY INFORMATION

## READ ALL INSTRUCTIONS BEFORE USING THE APPLIANCE

**⚠ WARNING** To reduce the risk of fire, explosion, electric shock, or injury when using your freezer, follow these basic safety precautions:

- This freezer must be properly installed and located in accordance with the Installation Instructions before it is used.
- Unplug the freezer before making repairs or cleaning.  
**NOTE:** Power to the freezer cannot be disconnected by any setting on the control panel.  
**NOTE:** Repairs must be performed by a qualified Service Professional.
- Replace all parts and panels before operating.
- Do not store or use gasoline or other flammable vapors and liquids in the vicinity of this or any other appliance.
- Do not store explosive substances such as aerosol cans with a flammable propellant in this appliance.
- Do not use an extension cord.
- To prevent suffocation and entrapment hazards to children, remove the lid from any freezer before disposing of it or discontinuing its use.
- To avoid serious injury or death, children should not stand on, or play in or with the appliance.
- Children and persons with reduced physical, sensory or mental capabilities or lack of experience and knowledge can use this appliance only if they are supervised or have been given instructions on safe use and understand the hazards involved.
- This appliance is intended to be used in household and similar applications such as: staff kitchen areas in shops, offices and other working environments; farm houses; by clients in hotels, motels, bed & breakfast and other residential environments; catering and similar non-retail applications.

**⚠ CAUTION** To reduce the risk of injury when using your freezer, follow these basic safety precautions.

- Do not clean freezer with warm water when it is cold. Components may break if exposed to sudden temperature changes or impact, such as bumping or dropping.
- Keep fingers out of the “pinch point” areas; clearances between the lid and cabinet are necessarily small. Be careful closing lid when children are in the area.
- Do not touch the cold surfaces in the freezer compartment when hands are damp or wet, skin may stick to these extremely cold surfaces.
- Do not refreeze frozen foods which have thawed completely.

**⚠ WARNING**  **FIRE OR EXPLOSION HAZARD Flammable Refrigerant**

**This appliance contains isobutane refrigerant, also known as R600a, a natural gas with high environmental compatibility. However, it is also combustible. Adhere to the warnings below to reduce the risk of injury or property damage.**

1. When handling, installing and operating the appliance, care should be taken to avoid damage to the refrigerant tubing.
2. Service shall only be performed by authorized service personnel. Use only manufacturer-authorized service parts.
3. Dispose of refrigerator in accordance with Federal and Local Regulations. The flammable refrigerant and insulation material used in this product require special disposal procedures. Contact your local authorities for the environmentally safe disposal of your refrigerator.
4. Keep ventilation openings in the appliance enclosures or in the built-in structure clear of obstruction.
5. To remove frost, scrape with a plastic or wood spatula or scraper. Do not use an ice pick or a metal or sharp-edged instrument as it may puncture the freezer liner and then the flammable refrigerant tubing behind it.
6. Do not use electrical appliances inside the food storage compartment of the appliance.
7. Do not use any electrical device to defrost your freezer.

## READ AND SAVE THESE INSTRUCTIONS

# IMPORTANT SAFETY INFORMATION

## READ ALL INSTRUCTIONS BEFORE USING THE APPLIANCE

### CONNECTING ELECTRICITY

#### **⚠ WARNING** **ELECTRICAL SHOCK HAZARD**

Plug into a grounded 3-prong outlet.

Do not remove the ground prong.

Do not use an adapter.

Do not use an extension cord.

Failure to follow these instructions can result in death, fire, or electrical shock.

**Do not, under any circumstances, cut or remove the third (ground) prong from the power cord. For personal safety, this appliance must be properly grounded.**

The power cord of this appliance is equipped with a 3-prong (grounding) plug which mates with a standard 3-prong (grounding) wall outlet to minimize the possibility of electric shock hazard from this appliance.

Have the wall outlet and circuit checked by a qualified electrician to make sure the outlet is properly grounded.

Where a standard 2-prong wall outlet is encountered, it is your personal responsibility and obligation to have it replaced with a properly grounded 3-prong wall outlet.

The freezer should always be plugged into its own individual electrical outlet which has a voltage rating that matches the rating plate.

A 115 Volt AC, 60 Hz, 15- or 20-amp fused, grounded electrical supply is required. This provides the best performance and also prevents overloading house wiring circuits which could cause a fire hazard from overheated wires.

Never unplug your freezer by pulling on the power cord. Always grip plug firmly and pull straight out from the outlet.

Immediately discontinue use of a damaged supply cord. If the supply cord is damaged, it must be replaced by a qualified service professional with an authorized service part from the manufacturer.

When moving the freezer away from the wall, be careful not to roll over or damage the power cord.

### PROPER DISPOSAL OF YOUR OLD APPLIANCE

#### **⚠ WARNING** **SUFFOCATION AND ENTRAPMENT HAZARD**

Failure to follow these disposal instructions can result in death or serious injury

**IMPORTANT:** Child entrapment and suffocation are not problems of the past. Junked or abandoned appliances are still dangerous even if they will sit for “just a few days.” If you are getting rid of your old appliance, please follow the instructions below to help prevent accidents.

#### **Before You Throw Away Your Old Freezer:**

- Take off the freezer lid.
- Leave the baskets in place so that children may not easily climb inside.

#### **Refrigerant and Foam Disposal:**

Dispose of appliance in accordance with Federal and Local Regulations. Flammable insulation material used requires special disposal procedures. Contact your local authorities for the environmentally safe disposal of your appliance.

## READ AND SAVE THESE INSTRUCTIONS

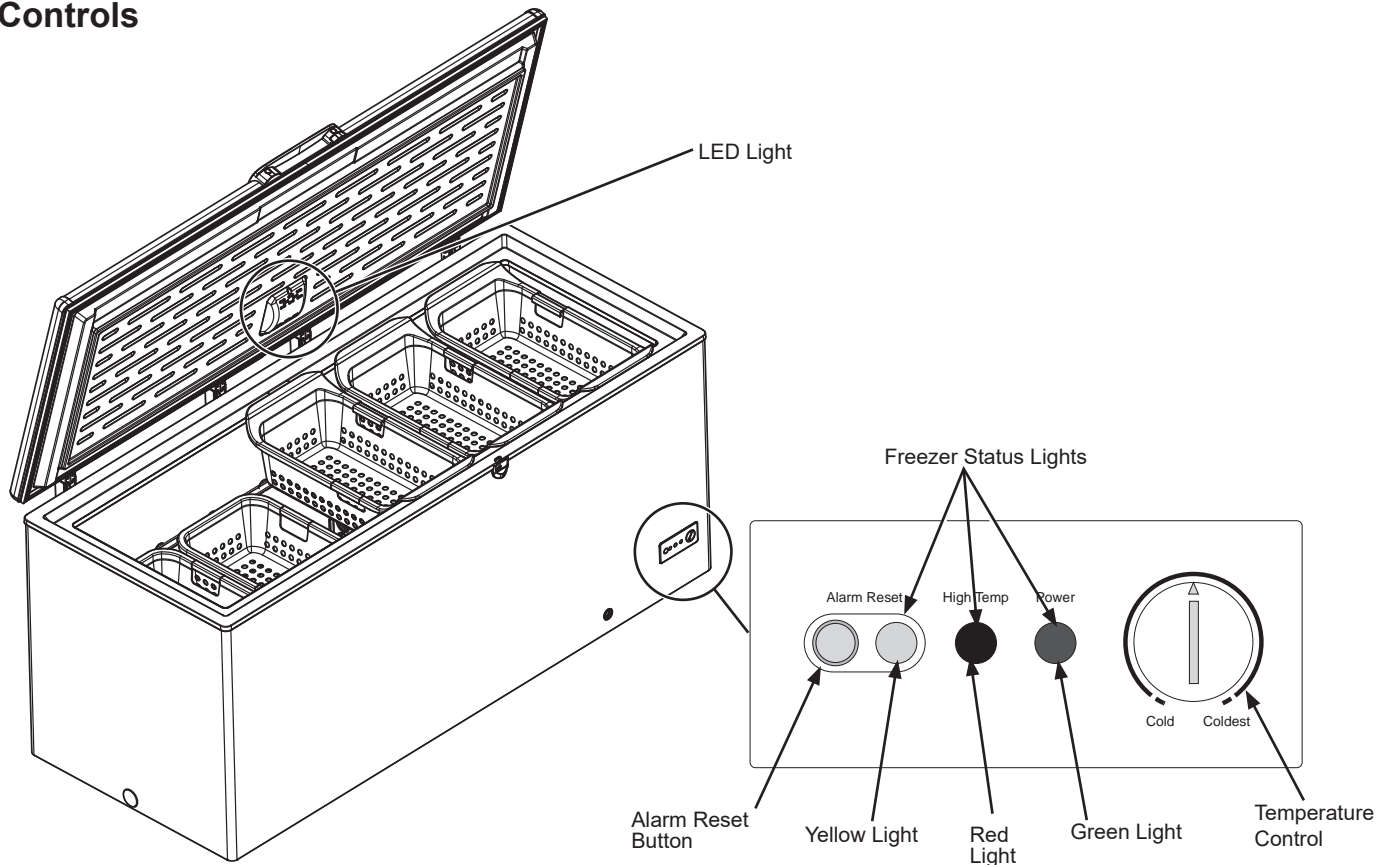
# Operation

## Starting the Freezer

1. Clean the inside of the freezer with a mild solution of baking soda and water (see Care and Cleaning).
2. Connect cord to power outlet.
3. Make sure the temperature control is set the midpoint between Cold and Coldest.
4. Allow freezer to operate for at least 6 to 8 hours before placing food inside.

## Features

### Controls



#### Freezer Status Lights

**RED:** The red light will turn on automatically when the temperature of the freezer is too high, above 23°F (-5°C) for 60 minutes. It will go off once the temperature is below 20°F (-7°C).

**YELLOW:** The yellow light will flash when the red temperature light is on. You must press the Alarm Reset Button to turn the yellow light off. If the yellow light is flashing and the red temperature light is off, you have experienced a home power loss. You must press the **Alarm Reset Button** to turn the yellow light off.

**GREEN:** The green light is the indicator light and assures you that your freezer is running. If the indicator light is not glowing, immediately check for power interruption, unplugged power cord, open circuit breaker, blown fuse, or burned out indicator light. If the light is burned out, contact service for a replacement.

#### Alarm

Audio alarm indicates that the freezer temperature is too high.

#### Alarm Reset Button

Push the Alarm Reset button to turn the alarm off. Once the button is pushed, the yellow light will stop flashing and the alarm will shut off.

#### Temperature Control Dial

Turn using a coin in the slot to adjust the freezer temperature between Cold and Coldest.

#### **⚠ WARNING**

Freezer must be unplugged to avoid electrical hazard from power source when installing, cleaning or repairing the freezer

# Features

---

## Recommended Grounding Method

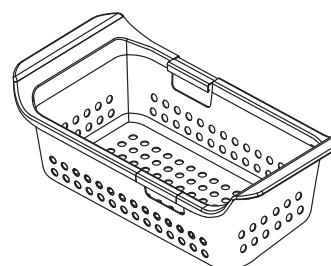
A 115 Volt, 60 Hz, AC only, 15- or 20-amp fused, grounded electrical supply is required. It is recommended that a separate circuit serving only your freezer be provided. Use an outlet that cannot be turned off by a switch Do not use an extension cord.

---

## Sliding Basket

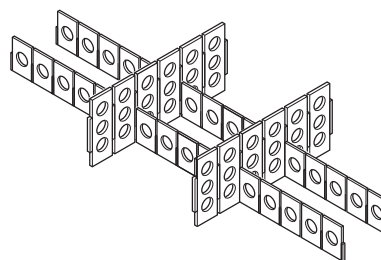
Store small packages in the basket to avoid losing them in the bottom of the freezer. The basket can be moved from side to side or it can be removed when loading or unloading the food below it.

To remove basket, lift it straight up and out. To replace basket, lower basket back into place.



## Divider

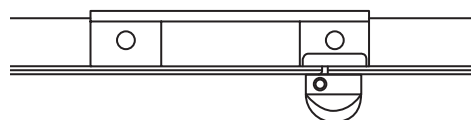
On some models there is a divider in the bottom of the unit. If divider is used, follow the assembly instructions included with the divider.



## Key Eject Lock

The lock is spring loaded so the key cannot be left in the lock. To lock or unlock, press the key in while turning. If the key is lost, contact your dealer for a replacement or go to [GEApplianceParts.com](http://GEApplianceParts.com). Always give the model and serial number of the freezer when requesting a replacement key.

**⚠ WARNING** To prevent a child from being entrapped, keep the key out of reach of children and away from the freezer.



# Defrosting Instructions

In most climates, defrosting will be necessary only about twice a year.

To have your freezer operate most efficiently, do not permit more than 1/4" (6 mm) thickness of frost, on average, to accumulate on the walls.

To remove frost, scrape with a plastic or wood spatula or scraper.

Do not use boiling water as it may damage the freezer.

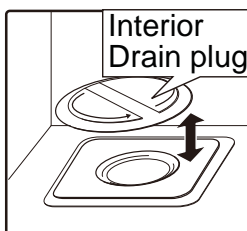
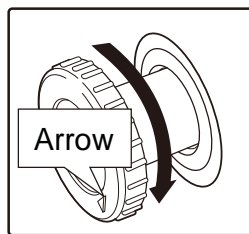
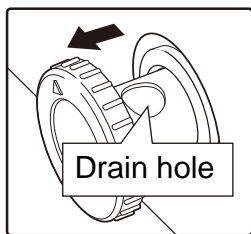
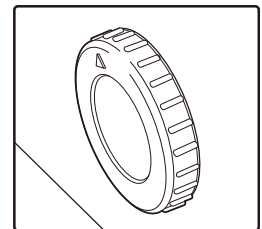
**⚠ WARNING Risk of fire or explosion. Flammable refrigerant used.**

To remove frost, scrape with a plastic or wood spatula or scraper. Do not use an ice pick or a metal or sharp-edged instrument as it may puncture the freezer liner and then the flammable refrigerant tubing behind it.

Do not use any electrical device to defrost your freezer.

## For Complete Defrosting

1. Turn the temperature control to far left COLD setting and unplug the freezer.
2. Remove all food and place it in corrugated boxes, insulated bags, picnic coolers, etc. Use towels and newspapers for insulation as needed.
3. Place a tray (not included) in front of the freezer, beneath the exterior drain plug to collect the water. Pull out the drain plug about 1" until the drain hole on the plug shows completely. Turn the drain plug clockwise until the arrow is pointed down. Unscrew counterclockwise to remove the interior drain plug. This allows the water to flow out into the tray.  
**NOTE:** Water that has accumulated at the bottom of the freezer during defrosting will drain into the tray. Monitor the tray under the drain to avoid overflow.
4. With the lid open, you may choose to use pans of hot tap water (less than 120° F) to speed defrosting. Directing air from an electric fan into the freezer will also help. Do not place fan or any electrical device in the freezer. Remove large pieces before they melt.
5. Wipe water from walls with a towel or sponge.
6. After defrosting, clean the inside of the freezer (see Care and Cleaning).
7. Replace the drain plugs.
8. Plug in the freezer. Return the temperature control to its previous position and return food to the freezer.



**⚠ WARNING** Freezer must be unplugged to avoid electrical hazard from power source when defrosting unit.



# Care And Cleaning

---

## Cleaning Your Freezer

■ **Outside.** Protect the paint finish. The finish on the outside of the freezer is a high quality, baked-on paint finish. With proper care, it will stay new-looking and rust-free for years. Apply a coat of appliance polish wax when the freezer is new and then at least twice a year. Appliance polish wax also works well to remove tape residue from freezer surfaces.

**Keep the finish clean.** Wipe with a clean cloth lightly dampened with appliance polish wax or mild liquid dishwashing detergent. Dry and polish with a clean, soft cloth. Do not wipe the freezer with a soiled dishwashing cloth or wet towel. Do not use scouring pads, powdered cleaners, bleach, or cleaners containing bleach.

**NOTICE:** Care should be taken in moving the freezer away from the wall. All types of floor coverings can be damaged, particularly cushioned coverings and those with embossed surfaces.

■ **Inside.** Clean the inside of your freezer at least once a year. We recommend that the freezer be unplugged before cleaning. If this is not practical, wring excess moisture out of sponge or cloth when cleaning in the vicinity of switches, lights or controls.

Use warm water and baking soda solution—about a tablespoon of baking soda to a quart of water. Rinse thoroughly with water and wipe dry. Do not use cleaning powders or other abrasive cleaners. **DO NOT** wash removable parts in a dishwasher.

An open box of baking soda in the freezer will absorb stale freezer odors. Change the box every three months.

**⚠ CAUTION** Damp objects stick to cold metal surfaces. **DO NOT** touch interior metal surfaces with wet or damp hands.

---

## In Case of Extended Power Failure

- Keep freezer lid closed. Your freezer will keep food frozen for 24 hours provided warm air is not admitted.
- If freezer is out of operation for 24 hours or more, add dry ice. Leave ice in large pieces. Add more ice as required.

**⚠ CAUTION** Handling of dry ice can cause freezing of the hands—gloves or other protection is recommended.

- If dry ice is not available, move food to a frozen food locker temporarily—until power is restored.

---

## Preparing to Move

Disconnect the power cord plug from the wall outlet. Remove foods, defrost (on Manual Defrost models) and clean the freezer.

Secure all loose items such as baskets by taping them securely in place to prevent damage.

Be sure freezer stays in upright position during actual moving and during transportation. The freezer must be secured during transportation to prevent movement. Protect outside of freezer with blanket.



# Care And Cleaning

---

## Preparing for Vacation

To maintain freezer in operation during vacations, be sure your house power is not turned off. For sure protection of freezer contents, you may want to ask a neighbor to check the power supply and freezer operation every 24 hours.

For extended vacations or absences, you may prefer to move your frozen foods to a storage locker temporarily. If your freezer is to be left empty, disconnect power cord plug from wall outlet. To prevent formation of odors, place open box of baking soda in freezer and leave freezer lid open.

---

## Save Money and Energy

- The freezer should be located in the coolest area of the room, away from heat-producing appliances or heating ducts, and out of direct sunlight.
- Let hot foods cool to room temperature before placing in the freezer. Overloading the freezer forces the compressor to run longer. Foods that freeze too slowly may lose quality or spoil.



- Be sure to wrap foods properly, and wipe containers dry before placing them in the freezer. This cuts down on frost buildup inside the freezer.
- Freezer baskets should not be lined with aluminum foil, wax paper or paper towels. Liners interfere with cold air circulation, making the freezer less efficient.
- Organize and label food to reduce lid openings and extended searches. Remove as many items as needed at one time, and close the lid as soon as possible.

# Preparing of Installation

Read these instructions completely and carefully.

## Freezer Location

Your freezer should be conveniently located for day-to-day use in a dry, well-ventilated room.

Do not install the freezer where the temperature will go below 0°F (-18°C) or above 110°F (43°C), because it will not maintain proper temperatures.

Do not install the freezer in a location exposed to rain water or direct sunlight.

Be sure to install your freezer on a floor strong enough to support it when it is fully loaded.

## Level Freezer

Level the freezer from side to side and front to back so that the lid will seal properly. Use shims to level the freezer if necessary.

**NOTE:** It should not be necessary to remove the lid during installation. If, for some reason, the hinges need adjustment, call a professional service company..

## Clearances and Ventilation

Allow at least 2" (50.8 mm) clearance on both sides of the freezer and 2" (50.8 mm) between the back of the freezer and the wall. Leave room above the freezer to open the lid.

Keep flammable materials and vapors, such as gasoline, away from freezer.

Do not cover the freezer with items such as blankets, sheets, tablecloths, etc. This reduces air circulation.

## Lid Removal

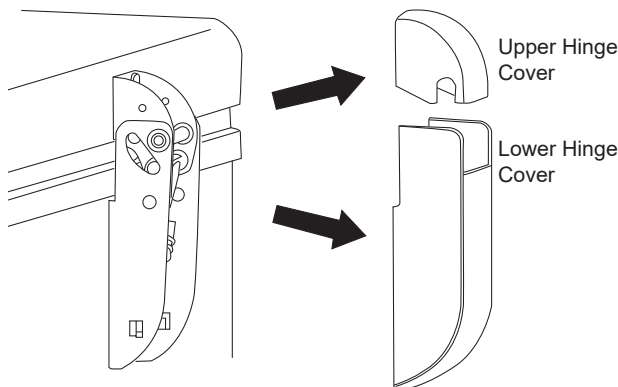
### ⚠ CAUTION LIFTING HAZARD

The lid is heavy. Use both hands to secure the lid before lifting.

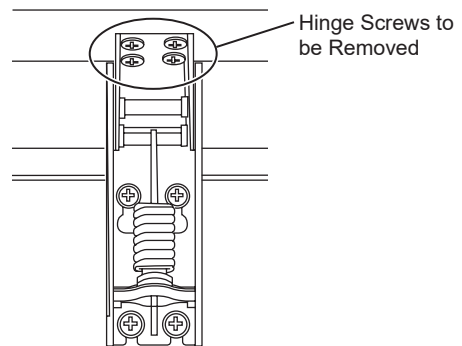
### ⚠ CAUTION HINGE SPRING UNDER TENSION

If it is necessary to remove the lid, follow these steps:

1. Remove the lower part of the hinge cover and then remove the upper part.



2. Open the lid to the maximum position. (The hinges are loosest at this position.)
3. Remove the 4 screws from the upper part of the hinge and lid. The 22' freezer has 4 hinges.



4. To reinstall lid follow steps in reverse. Tighten all hinge screws but avoid over-tightening to prevent stripping. Reinstall hinge covers.

# Troubleshooting Tips... Before you call for service

Save time and money! Review the charts on the following pages first and you may not need to call for service.

Problem	Possible Causes	What To Do
Freezer does not operate	Temperature control set to Cold position.	Move the control to a colder temperature setting.
	Freezer is unplugged.	Push the plug completely into the outlet.
	The fuse is blown/circuit breaker is tripped.	Replace fuse or reset the breaker.
Freezer starts/stops too frequently	Lid left open.	Check to see if package is holding lid open.
	Too frequent or too long lid openings.	Open the lid less often.
	Temperature control set too cold.	See About the operation of your freezer.
Freezer operates too long	Lid left open.	Check to see if package is holding lid open.
	Too frequent or too long lid openings.	Open the lid less often.
	Temperature control set too cold.	See About the operation of your freezer.
	Inadequate air circulation space around cabinet.	See Preparing to install the freezer.
	Room or outside weather is hot.	It's normal for the freezer to work harder under these conditions.
	Freezer has been disconnected recently for a period of time.	It takes 6-8 hours for the freezer to cool down completely.
	Large amounts of warm or hot food have been stored recently.	Warm food will cause the freezer to run more until the desired temperature is reached
Noisy operation or cabinet vibrates	Floor may be weak, causing freezer to vibrate when compressor is on.	Check to make sure freezer is located on solid floor and use shims, as needed, to level the unit.
	Cabinet is not positioned solidly on floor.	See Preparing to install the freezer. Use shims, as needed, to level the unit.
	Freezer is touching the wall.	Level freezer or move slightly. See Level Freezers.
Freezer temperature too warm	Lid left open.	Check to see if package is holding lid open.
	Too frequent or too long lid openings.	Open the lid less often.
	Temperature control is set too warm.	Turn control to a colder setting. Allow several hours for the temperature to stabilize.
	Large amounts of water or hot food may have been stored recently.	Wait until the freezer has had a chance to reach its selected temperature.
	Freezer has been disconnected recently.	Freezer requires 6-8 hours to cool down completely.
Foods defrosting	Temperature control set to Cold position.	Move the control to a colder temperature setting.
	Freezer is unplugged.	Push the plug completely into the outlet.
	The fuse is blown/circuit breaker is tripped.	Replace fuse or reset the breaker.
	Lid left open.	Check to see if package is holding lid open.
	Too frequent or too long lid openings.	Open the lid less often.
Freezer temperature too cold	Temperature control set too cold.	See About the operation of your freezer.

## Troubleshooting Tips... Before you call for service

Problem	Possible Causes	What To Do
Moisture forms on outside of cabinet	Not unusual during periods of high humidity.	Wipe surface dry.
	Lid may not be seating properly, causing cold air from inside the freezer to meet warm moist air from the outside.	See Preparing to install the freezer.
Interior light does not work	No power at outlet.	Replace fuse or reset the breaker.
	Freezer is unplugged.	Push the plug completely into the outlet.
Lid won't fully close by itself	Package holding lid open.	Move package to a different location.
Slow starting time after being off	Built-in overload protection.	This is normal after being off.
Excessive frost buildup	Lid left open.	Check to see if package is holding lid open.
	Too frequent or too long lid openings.	Open the lid less often.
	Not unusual during periods of high humidity.	Wipe surface dry.
Freezer external surface temperature is warm	The external freezer walls can be as much as 30°F warmer than room temperature.	This is normal while the compressor works to transfer heat from inside the freezer cabinet.
Louder sound levels whenever freezer is on	Modern freezers have increased storage capacity and more stable temperatures. They require a high-efficiency compressor.	This is normal. When the surrounding noise level is low, you might hear the compressor running while it cools the interior.
Higher sound levels when compressor comes on	Freezer operates at higher pressures during the start of the ON cycle.	This is normal. Sound will level off or disappear as freezer continues to run.
Popping or cracking sound when compressor comes on	Metal parts undergo expansion and contraction, as in hot water pipes.	This is normal. Sound will level off or disappear as freezer continues to run.
Bubbling or gurgling sound, like boiling water	Refrigerant (used to cool freezer) is circulating throughout the system.	This is normal.
Moisture forms on inside freezer walls	Weather is hot and humid, which increases internal rate of frost buildup.	This is normal.
	Lid may not be seating properly.	See Preparing to install the freezer.
	Lid is kept open too long, or is opened too frequently.	Open the lid less often.
Odors in freezer	Interior needs to be cleaned.	Clean interior with sponge, warm water and baking soda.
	Foods with strong odors are in the freezer.	Cover the food tightly.

# Troubleshooting Tips... Before you call for service

---

## **Normal Operating Characteristics**

These things are normal and do not indicate a need for service.

- A warm cabinet exterior as the refrigeration system transfers heat from the inside to the outside through the exterior cabinet walls.
- The sound of the high-efficiency compressor motor.



# Crosley® Corporation Freezer Limited Warranty

**LIMITED WARRANTY**

## Crosley.com

Your appliance is covered by a limited warranty, as listed below, by GE Appliances. All warranty service is provided by our GE Appliances Factory Service Centers, or an authorized service technician. To schedule service, call Crosley at 800.544.4780. Please have your serial number and your model number available when calling for service.

For the Period of:	GE Appliances Will Replace
<b>One Year</b> From the date of the original purchase	<b>Any part</b> of the refrigerator which fails due to a defect in materials or workmanship. During the <b>limited one-year warranty</b> , GE Appliances will also provide, <b>free of charge</b> , all labor and related service to replace the defective part.

### This warranty will not cover:

- Service trips to your home to teach you how to use the product.
- Improper installation, delivery or maintenance.
- Failure of the product if it is abused, misused, or used for other than the intended purpose or used commercially.
- Loss of food due to spoilage.
- Damage caused after delivery.
- Replacement of house fuses or resetting of circuit breakers.
- Damage to the product caused by accident, fire, floods or acts of God.
- Incidental or consequential damage caused by possible defects with this appliance.
- Product not accessible to provide required service.

### Crosley® Extended Warranty

In addition to the warranty shown above, ask your dealer or visit us at [Crosley.com/warranty](http://Crosley.com/warranty) regarding the **Crosley 10-Year Extended Limited Warranty** that comes to you at no extra charge. This warranty will cover your product after the initial manufacturer's warranty expires up through 10 years. Please contact Crosley at [Crosley.com](http://Crosley.com) or call Crosley at 800.356.5268 for specific details.

### EXCLUSION OF IMPLIED WARRANTIES

Your sole and exclusive remedy is product repair as provided in this Limited Warranty. Any implied warranties, including the implied warranties of merchantability or fitness for a particular purpose, are limited to one year or the shortest period allowed by law.

This limited warranty is extended to the original purchaser and any succeeding owner for products purchased for home use within the USA. If the product is located in an area where service by a GE Appliances Authorized Servicer is not available, you may be responsible for a trip charge or you may be required to bring the product to an Authorized GE Appliances Service location for service. In Alaska, the limited warranty excludes the cost of shipping or service calls to your home.

Some states do not allow the exclusion or limitation of incidental or consequential damages. This limited warranty gives you specific legal rights, and you may also have other rights which vary from state to state. To know what your legal rights are, consult your local or state consumer affairs office or your state's Attorney General.

**Warrantor: GE Appliances, a Haier company**  
Louisville, KY 40225



Staple your receipt here. Proof of the original purchase date is needed to obtain service under the warranty.



# Consumer Support

---

## Crosley Website

Have a question or need assistance with your appliance? Try the Crosley Website 24 hours a day, any day of the year at **Crosley.com**. You can also shop for more great Crosley products on our website.

---

## Register Your Appliance

Register your new appliance on-line at your convenience at **Crosley.com/mycrosley**. Timely product registration will allow for enhanced communication and prompt service under the terms of your warranty, should the need arise. You may also mail in the pre-printed registration card included in the packing material.

---

## Schedule Service

Crosley repair service is only one step away from your door. Call 800.544.4780 during normal business hours to schedule service.

---

## CROSLEYCARE® 10 Year Limited Warranty

When you buy a Crosley appliance, you receive one of the best warranties available in the appliance industry. For more information, visit **Crosley.com/warranty**. Visit **Crosley.com/mycrosley** to register the extended limited warranty.

---

## Parts and Accessories

Individuals qualified to service their own appliances can have parts or accessories sent directly to their homes (VISA, MasterCard and Discover cards are accepted). Order on-line today 24 hours every day. Visit **GEApplianceparts.com** or by phone at 877.959.8688 during normal business hours.

**Instructions contained in this manual cover procedures to be performed by any user. Other servicing generally should be referred to qualified service personnel. Caution must be exercised, since improper servicing may cause unsafe operation.**



# Congeladores Verticales

Manuel  
d'utilisation  
et d'installation

Modelo: XCM22DMWW

## Contenido

<b>Información de Seguridad</b> .....	3
<b>Uso del Congelador</b>	
Instrucciones de operación .....	5
Características .....	5
Instrucciones para descongelar .....	7
<b>Cuidado y Limpieza</b>	
<b>Instalación</b> .....	10
<b>Solucionar Problemas</b> .....	11
Características de Funcionamiento Normales .....	13
<b>Garantía Limitada</b> .....	15
<b>Servicio al Consumidor</b> .....	16

Escriba los números de modelo  
y de serie aquí:

Número de modelo : \_\_\_\_\_

Número de serie: \_\_\_\_\_

Encontrará la etiqueta de calificación del  
lado derecho del freezer, sobre la tapa del  
compartimiento de la máquina.



¡La icónica marca estadounidense apoyada por la mejor garantía de electrodomésticos estadounidense! ¡Garantía Limitada por 10 Años GRATUITA en todos los Electrodomésticos Crosley!

ELECTRODOMÉSTICO	COMPONENTE	GARANTÍA LIMITADA DEL FABRICANTE	GARANTÍA LIMITADA EXTENDIDA DE CROSLY
Refrigerador o Freezer	Compresor	1 Año	10 años Incluyendo Cobertura del Fabricante por 1 Año
Lavadora de Carga Superior	Caja de engranajes/ Transmisión	1 Año	
Lavadora de Carga Frontal	Motor	1 Año	
Lavadora Compacta	Motor	1 Año	
Unidad de Almacenamiento de Lavadora/ Secadora	Motor/Elemento de Calefacción	1 Año	
Lavavajillas	Motor	1 Año	
Secadora a Gas/ Eléctrica	Motor/Elemento de Calefacción	1 Año	
Cocina Eléctrica	Elementos para Hornear/ Asar/ de la Superficie	1 Año	
Cocina a Gas	Arrancadoras y Módulos de Chispa	1 Año	

Visite [Crosley.com/mycrosley](http://Crosley.com/mycrosley) y registre la garantía limitada extendida.

# INFORMACIÓN IMPORTANTE DE SEGURIDAD

## LEA TODAS LAS INSTRUCCIONES ANTES DE USAR LA MÁQUINA

### ⚠️ ADVERTENCIA

A fin de reducir el riesgo de incendio, explosión, descargas eléctricas o lesiones al usar su refrigerador, siga estas precauciones básicas de seguridad:

- Este freezer se deberá instalar y ubicar adecuadamente de acuerdo con las Instrucciones de Instalación antes de ser usado.
- Desenchufe el freezer antes de hacer reparaciones, ya sea reemplazar una lámpara de luz o hacer una limpieza.  
**Nota:** La corriente que va al freezer no puede ser desconectada por ninguna configuración del panel de control.  
**Nota:** Las reparaciones deberán ser realizadas por un Profesional del Servicio Técnico calificado.
- Reemplace todas las piezas y paneles antes del uso.
- No guarde ni use gasolina u otros vapores inflamables y líquidos cerca de este ni de otro electrodoméstico.
- No guarde sustancias explosivas tales como latas de aerosoles con propelentes inflamables en este electrodoméstico.
- No use un prolongador.
- A fin de evitar riesgos de que los niños sufran asfixia o queden atrapados, retire la tapa del freezer antes de deshacerse o dejar de usar el mismo.
- Para evitar lesiones graves o la muerte, los niños no se deberán parar sobre ni jugar en o con el electrodoméstico.
- Los niños y las personas con capacidad física, sensorial o mental reducida o con falta de experiencia y conocimiento podrán usar este electrodoméstico sólo si son supervisados o les fueron dadas instrucciones sobre un uso seguro y entienden los riesgos involucrados.
- Este electrodoméstico fue diseñado para uso hogareño y para aplicaciones similares tales como: áreas de personal de cocina en tiendas, oficinas y otros espacios laborales; casas de campo; por clientes en hoteles, moteles, hostales y otros espacios residenciales, catering y aplicaciones no minoristas similares.

### ⚠️ PRECAUCIÓN

Para reducir el riesgo de lesiones al usar el freezer, siga estas precauciones básicas.

- No limpie el freezer con agua caliente cuando se encuentre frío. Los componentes se pueden romper si son expuestos a cambios de temperatura repentinos o impactos, tales como sacudones o caídas.
- Mantenga los dedos fuera de los espacios de "riesgo de lastimaduras"; los espacios de despeje entre la tapa y el gabinete son necesariamente pequeños. Tenga el cuidado de cerrar las puertas cuando haya niños dentro del área.
- No toque las superficies frías del compartimiento del freezer cuando las manos estén húmedas o mojadas, ya que la piel se podrá adherir a estas superficies extremadamente frías.
- No vuelva a congelar comidas que hayan estado totalmente congeladas en forma previa.

### ⚠️ ADVERTENCIA



### RIESGO DE INCENDIO O EXPLOSIÓN Refrigerantes Inflamables

**Este electrodoméstico cuenta con refrigerante isobutano, también conocido como R600a, un gas natural con alto nivel de compatibilidad medioambiental. Sin embargo, también es combustible. Siga las advertencias que figuran a continuación, a fin de reducir el riesgo de lesiones o daños sobre la propiedad.**

1. Al mover, instalar y operar el electrodoméstico, se deberá tener cuidado de no dañar la tubería del refrigerante.
2. El servicio técnico sólo debe ser realizado por personal autorizado del servicio. Use sólo piezas del servicio autorizadas por el fabricante
3. Descarte el electrodoméstico de acuerdo con las Regulaciones Federales y Locales. El refrigerante inflamable y el material aislante inflamable usados en este producto requieren procedimientos de descarte especiales. Comuníquese con las autoridades locales para descartar su refrigerador de forma ambientalmente segura.
4. Mantenga las aberturas de ventilación en el espacio de protección del electrodoméstico o en la estructura incorporada libres de obstrucción.
5. A fin de eliminar la escarcha, raspe con una espátula o raspador de plástico o madera. No use un pico de hielo o un instrumento de metal con forma puntiaguda, ya que esto podrá perforar el revestimiento del freezer y luego la tubería refrigerante inflamable detrás de éste.
6. No use dispositivos eléctricos dentro del compartimiento de almacenamiento de comida del electrodoméstico.
7. No use ningún dispositivo eléctrico para descongelar su refrigerador.

## LEA Y GUARDE ESTAS INSTRUCCIONES

# INFORMACIÓN IMPORTANTE DE SEGURIDAD

## LEA TODAS LAS INSTRUCCIONES ANTES DE USAR LA MÁQUINA

### CONEXIÓN DE LA ELECTRICIDAD

#### **⚠ ADVERTENCIA**



#### **RIESGO DE DESCARGA ELÉCTRICA**

Enchufe en un tomacorriente con conexión a tierra de 3 cables.

No elimine el cable de conexión a tierra.

No use un adaptador.

No use un prolongador.

Si no se siguen estas instrucciones se podrá producir la muerte, incendios o descargas eléctricas.

**Nunca, bajo ninguna circunstancia, corte o elimine el tercer cable (tierra) del cable de corriente. Para su seguridad personal, este electrodoméstico debe estar adecuadamente conectado a tierra.**

El cable de corriente de este electrodoméstico cuenta con un enchufe de 3 cables (conexión a tierra) que se conecta a un tomacorriente de pared estándar de 3 cables (conexión a tierra) para minimizar la posibilidad de riesgos de descargas eléctricas por parte del mismo.

Contrate a un electricista calificado para que controle el tomacorriente y el circuito eléctrico, a fin de asegurar que el enchufe esté correctamente conectado a tierra.

En caso de contar con un tomacorriente de pared de 2 cables, es su responsabilidad y obligación reemplazarlo por un tomacorriente de pared de 3 cables correctamente conectado a tierra. No use un adaptador.

El freezer deberá estar siempre conectado a un enchufe específico con un índice de voltaje equivalente al que figura en la placa de calificación.

Se requiere un suministro eléctrico con fusible y conexión a tierra de 115 voltios de CA, 60 Hz, 15 o 20 amperes. Esto garantiza el mejor funcionamiento y además previene la sobrecarga de los circuitos del hogar, lo cual podría ocasionar riesgos de incendio debido al recalentamiento de cables.

Nunca desenchufe el refrigerador tirando del cable de corriente. Siempre tome su enchufe firmemente y empuje el mismo hacia fuera para retirarlo.

Inmediatamente interrumpa el uso de un cable de suministro de corriente dañado. Si el cable de corriente se encuentra dañado, su reemplazo deberá ser realizado por un profesional calificado del servicio técnico, utilizando una pieza del servicio técnico autorizada por el fabricante.

Al alejar el freezer de la pared, se deberá tener cuidado de que no ruede sobre ni dañe el cable de corriente.

### FORMA ADECUADA DE DESCARTAR SU ANTIGÜO CONGÉLATEUR

#### **⚠ ADVERTENCIA**

#### **PELIGRO DE SUFFOCATION Y ENTRAPMENT**

El incumplimiento de estas instrucciones de eliminación puede causar la muerte o lesiones graves.

**IMPORTANTE:** Que un niño quede atrapado o que sufra una asfixia no son problemas del pasado. Los refrigeradores antiguos o abandonados aún son peligrosos, incluso aunque se conserven por "sólo unos pocos días". Si se deshará de su antiguo refrigerador, siga las siguientes instrucciones a fin de evitar accidentes.

#### **Antes de Descartar su Antiguo Refrigerador o Congélateur:**

- Retire la tapa del congelador.
- Deje los estantes en su lugar de modo que los niños no puedan trepar dentro con facilidad.

#### **Cómo Eliminar Refrigerantes y Gomaespumas:**

Descarte el electrodoméstico de acuerdo con las Regulaciones Federales y Locales. El material aislante inflamable usado requiere procedimientos de descarte especiales. Comuníquese con las autoridades locales para descartar su electrodoméstico de forma ambientalmente segura

# LEA Y GUARDE ESTAS INSTRUCCIONES

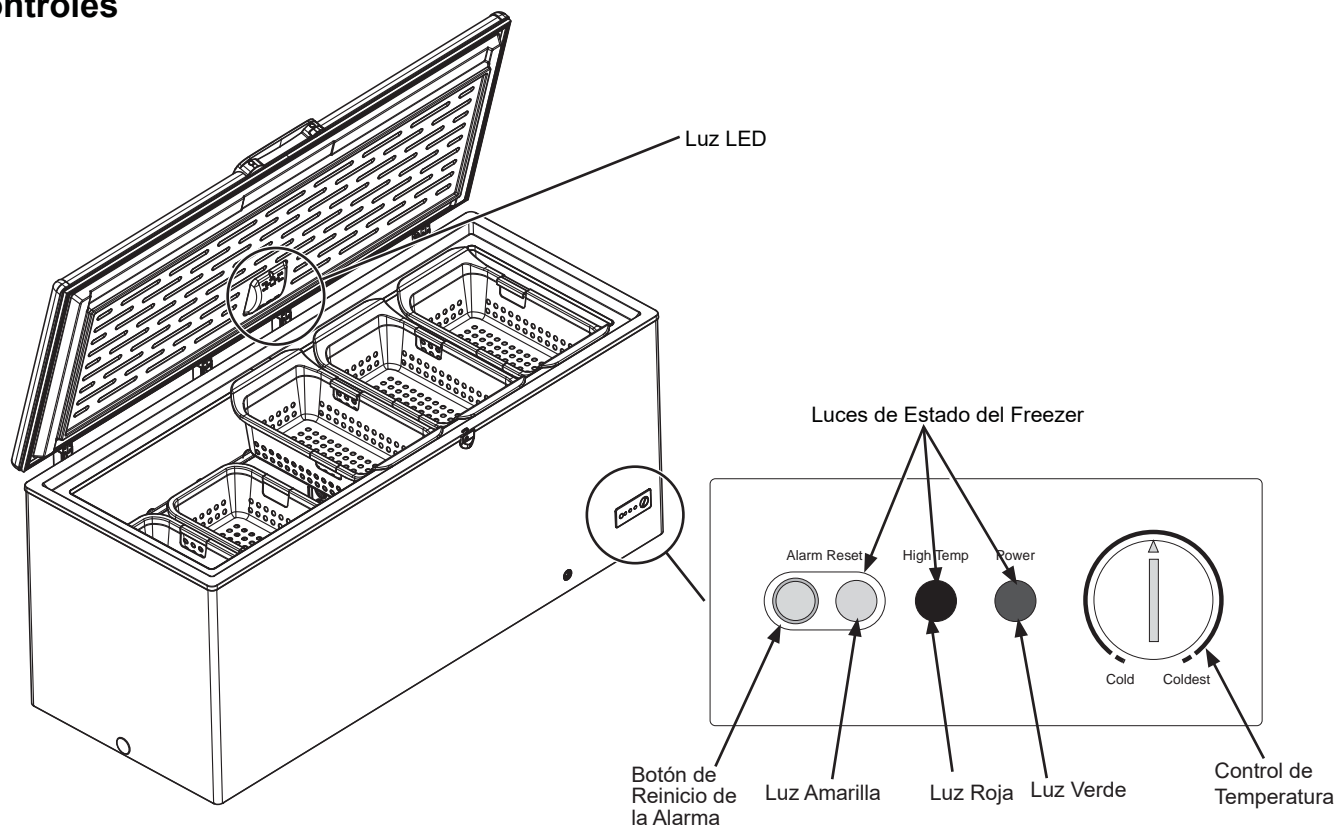
# Instrucciones de operación

## Cómo poner el congelador en funcionamiento

1. Limpie el interior del congelador con una solución suave de bicarbonato de sodio y agua (vea Cuidado y limpieza).
2. Conecte el cable al tomacorriente.
3. Asegúrese de que el control de temperatura esté en la posición intermedia entre Cold (Frío) y Coldest (Lo Más Frío).
4. Deje que el congelador funcione durante por lo menos cuatro horas antes de colocar alimento en el interior.

## Características

### Controles



#### Luces de Estado del Freezer

**ROJA:** La luz roja se encenderá de forma automática cuando la temperatura del freezer sea demasiado alta, por encima de los 23°F (-5°C) durante 60 minutos. Se apagará cuando la temperatura esté por debajo de los 20°F (-7°C).

**AMARILLA:** La luz amarilla titilará cuando la luz roja de temperatura esté encendida. Deberá presionar el botón Alarm Reset (Reinicio de la Alarma) para apagar la luz amarilla. Si la luz amarilla está titilando y la luz roja de temperatura está apagada, usted experimentó un corte de corriente hogareño. Deberá presionar el Botón Alarm Reset (Reinicio de la Alarma) para apagar la luz amarilla.

**VERDE:** La luz verde es la luz indicadora y asegura que su freezer está en funcionamiento. Si la luz indicadora no está iluminada, controle inmediatamente que no haya cortes de corriente, que el cable de corriente no esté desenchufado, que el disyuntor no esté abierto, que no haya fusibles quemados, o que la luz indicadora no esté quemada. Si la luz está quemada, comuníquese al servicio técnico para solicitar un reemplazo.

#### Alarma

La alarma con audio indica que la temperatura del freezer es demasiado alta.

#### Botón de Reinicio de la Alarma

Presione el botón Alarm Reset (Reinicio de la Alarma) para apagar la misma. Una vez que el botón sea presionado, la luz amarilla dejará de titilar y la alarma se apagará.

#### Dial del Control de Temperatura

Gire el mismo colocando una moneda en la ranura para ajustar la temperatura del freezer entre Cold (Frío) y Coldest (Lo Más Frío).

**⚠ ADVERTENCIA** El freezer deberá estar desenchufado para evitar riesgos eléctricos relacionados con una fuente de corriente, al instalar, limpiar o reparar el freezer.

# Características

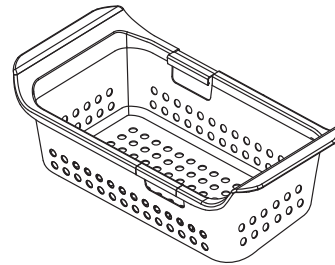
## Método Recomendado de Conexión a Tierra

Se requiere un suministro eléctrico con fusible y conexión a tierra de 115 voltios, 60 Hz, sólo CA y 15 o 20 amperes. Se recomienda contar con un circuito separado que se use únicamente con el freezer. Use una ficha que no pueda ser apagada por un interruptor. No use un prolongador.

## Canasta Deslizable

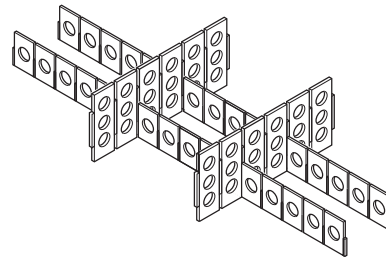
Guarde pequeños paquetes en la canasta, a fin de evitar su pérdida en el fondo del freezer. La canasta se puede mover de un lado al otro o puede ser retirada al cargar o descargar la comida debajo de la misma.

Para retirar la canasta, levante la misma de forma recta hacia arriba y afuera. Para reemplazar la canasta, vuelva a bajar la misma hasta su posición.



## Divisor

Algunos modelos cuentan con un divisor en la parte trasera de la unidad. Si se utiliza el divisor, siga las instrucciones de ensamble incluidas con el divisor.



## Cerradura con Ejector de Llave

La cerradura posee un resorte, de modo que la llave no pueda ser dejada en la misma. Para bloquear o desbloquear, presione la llave mientras la esté girando. Si se pierde la llave, comuníquese con su vendedor para un reemplazo o visite [GEApplianceParts.com](http://GEApplianceParts.com). Al solicitar una llave de reemplazo, siempre dé los números de modelo y serie del freezer.



### **⚠ ADVERTENCIA**

A fin de evitar que un niño quede atrapado, guarde la llave fuera del alcance de los niños y lejos del freezer.



# Instrucciones para descongelar

En la mayoría de los climas, sólo será necesario descongelar unas dos veces al año.

Para que el congelador funcione con mayor eficiencia, no permita que se acumule más de 1/4" (6 mm) de grosor, en promedio, de escarcha de escarcha en los estantes.

Para quitar la helada, raspe con una espátula de plástico o de madera o raspador.

No use agua hirviendo, ya que esto podrá dañar el freezer.

## **⚠ ADVERTENCIA** RIESGO DE INCENDIO O EXPLOSIÓN. Se usó un refrigerante inflamable.

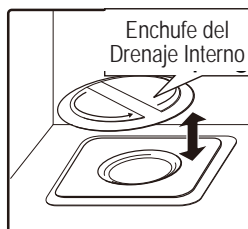
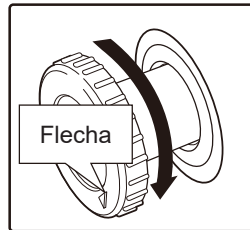
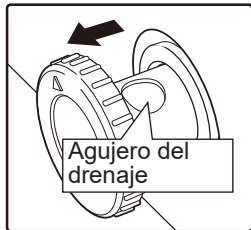
A fin de eliminar la escarcha, raspe con una espátula o raspador de plástico o madera. No use un pico de hielo o un instrumento de metal con forma puntiaguda, ya que esto podrá perforar el revestimiento del freezer y luego la tubería refrigerante inflamable detrás de éste.

No use ningún dispositivo eléctrico para descongelar su refrigerador.

## Para un descongelamiento completo

1. Gire el control de temperatura hasta la configuración del extremo izquierdo COLD (Frío) y desenchufe el freezer.
2. Retire todos los alimentos y colóquelos en cajas corrugadas, bolsas aisladas, refrigeradores portátiles, etc. Use toallas y periódicos como aislantes, según sea necesario.
3. Coloque una bandeja (no incluida) en el frente del freezer, debajo del enchufe de drenaje externo para recolectar el agua. Empuje el enchufe del drenaje hacia afuera aproximadamente 1", hasta que el agujero de drenaje del enchufe aparezca completamente. Gire el enchufe del drenaje en dirección de las agujas del reloj, hasta que la flecha apunte hacia abajo. Desenrosque en dirección contraria a las agujas del reloj para retirar el enchufe de drenaje interno. Esto permite que el agua fluya hacia fuera de la bandeja.

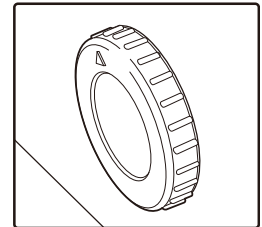
**NOTA:** El agua acumulada en la parte inferior del freezer durante la descongelación será drenada en la bandeja. Controle la bandeja ubicada bajo el drenaje para evitar desbordes.



4. Con la tapa abierta, podrá optar por utilizar ollas con agua caliente del grifo (a menos de 120°F) para acelerar la descongelación. Irigir el aire de un ventilador eléctrico al freezer también ayudará. No coloque el ventilador o cualquier otro dispositivo eléctrico en el freezer.

Retire las piezas grandes antes de que se derritan.

5. Limpie el agua de las paredes con una toalla o esponja.
6. Después del descongelamiento, limpie el interior del congelador (vea Cuidado y limpieza).
7. Reemplace los enchufes del drenaje.
8. Enchufe el freezer. Regrese el control de temperatura a su posición previa y vuelva a colocar la comida en el freezer.



**⚠ ADVERTENCIA** El freezer debe estar desenchufado, a fin de evitar riesgos eléctricos de la fuente de corriente al descongelar la unidad.

# Cuidado y limpieza

## Limpieza del congelador

■ **Exterior.** Proteja el acabado de pintura. El acabado del exterior del congelador es un acabado de pintura curada de alta calidad. Con el cuidado apropiado, se conservará como nueva y sin óxido durante años. Aplique una capa de cera para pulir aparatos cuando el congelador es nuevo y luego, por lo menos dos veces al año. También se recomienda usar cera para pulir aparatos para retirar los residuos de cinta de las superficies del congelador.

**Mantenga limpio el acabado.** Use un paño limpio ligeramente humedecido en cera para pulir aparatos o detergente líquido suave para lavar platos. Seque y pula con un paño suave y limpio. No limpie el congelador con un paño para lavar platos sucio o una toalla húmeda. No use esponjas limpiadoras, limpiadores en polvo, lejía o limpiadores que contengan lejías.

**AVISO:** Se deben tomar precauciones al separar el congelador de la pared. Es posible que se dañen todos los tipos de coberturas para pisos, especialmente las coberturas acolchadas y las que tienen superficies en relieve.

■ **Interior.** Limpie el interior del congelador por lo menos una vez al año. Recomendamos desenchufar el congelador antes de limpiarlo. Si no fuera posible, exprima el exceso de humedad de la esponja o del paño cuando se limpie alrededor de botones, bombillas o controles.

Use agua caliente y una solución de bicarbonato de sodio—aproximadamente una cucharada (15 ml) de bicarbonato de sodio por cada cuarto (1 litro) de agua. Enjuague bien con agua y seque. No use polvos limpiadores ni otros limpiadores abrasivos. NO lave piezas desmontables en el lavavajillas.

Una caja de bicarbonato de sodio abierta absorberá los olores viciados del congelador. Cambie la caja cada tres meses.

### ⚠ PRECAUCIÓN

Los objetos húmedos se pegan a las superficies metálicas frías. NO toque superficies metálicas internas con manos mojadas o húmedas.

## En caso de interrupción prolongada del suministro eléctrico

- Mantenga la tapa del congelador cerrada. El congelador mantendrá los alimentos congelados durante 24 horas siempre que no permita el ingreso de aire cálido.
- Si el congelador no recibe energía durante 24 horas o más, agregue hielo seco. Deje el hielo en trozos grandes. Agregue más hielo según sea necesario.

### ⚠ PRECAUCIÓN

La manipulación de hielo seco puede causar congelamiento en las manos; se recomienda el uso de guantes o de otro tipo de protección.

- Si no es posible conseguir hielo seco, traslade los alimentos a un armario para alimentos congelados hasta que se restablezca el suministro eléctrico.

## En caso de mudanza

Desconecte el enchufe de alimentación del tomacorriente de pared. Retire los alimentos, descongele (en los modelos con Descongelamiento manual) y limpie el congelador.

Asegure todos los elementos sueltos como canastas pegándolos con cinta adhesiva en su lugar para evitar daños.

Asegúrese de que el freezer permanezca en la posición de parado durante la mudanza y en el vehículo. El freezer debe estar asegurado en el vehículo a fin de evitar movimientos. Proteja el exterior del congelador con una manta.

# Cuidado y limpieza

## Preparación para vacaciones

Para mantener el congelador en funcionamiento durante las vacaciones, asegúrese de no desconectar el suministro eléctrico de su hogar. Para proteger de manera segura el contenido del congelador, puede solicitar a algún vecino que controle el suministro de energía y el funcionamiento del congelador cada 24 horas.

En caso de vacaciones o ausencias prolongadas, puede optar por trasladar los alimentos congelados a un armario de almacenamiento de manera temporal. Si deja el congelador vacío, desconecte el cable de alimentación del enchufe de pared. Para evitar la formación de olores, coloque una caja de bicarbonato de sodio vacía en el congelador y deje la tapa abierta.

## Ahorre Tiempo y Dinero

- El congelador debe ubicarse en el área más fría de la habitación, lejos de aparatos que generen calor o conductos de calefacción, y alejado de la luz solar directa.



- Deje que los alimentos calientes se enfríen hasta temperatura ambiente antes de colocarlos en el congelador. Sobrecargar el congelador hace que el compresor deba funcionar durante más tiempo. Los alimentos que se congelan muy lentamente pueden perder sus cualidades o arruinarse.

- Asegúrese de envolver los alimentos en forma adecuada y seque los recipientes antes de colocarlos en el congelador. Esto reduce la acumulación de escarcha dentro del congelador.
- Canastas del freezer no deben recubrirse con papel de aluminio, papel encerado o toallas de papel. El recubrimiento afecta la circulación de aire frío, reduciendo la eficiencia del congelador.
- Organice y etiquete los alimentos para reducir las veces en que se abre la tapa y las búsquedas prolongadas. Saque todos los elementos necesarios de una vez y cierre la tapa lo más rápido posible.

# Pasos previos a la instalación

Lea estas instrucciones por completo y con cuidado.

## Ubicación del congelador

Deberá ubicar el congelador de forma conveniente para el uso diario, en una habitación seca y bien ventilada.

No instale el congelador donde la temperatura baje de los 0°F (-18°C) o supere los 110°F (43°C), ya que no mantendrá las temperaturas adecuadas.

No instale el freezer en una ubicación expuesta al agua de lluvia o en contacto directo con la luz solar.

Asegúrese de instalar el congelador en un piso que sea lo suficientemente firme como para sostenerlo cuando esté completamente cargado.

## Nivele el congelador

Nivele el freezer de un lado a otro y de la parte frontal a la parte trasera, de modo que la tapa se selle de forma adecuada. Use cuñas para nivelar el freezer, si es necesario.

**NOTA:** No debería ser necesario retirar la tapa durante la instalación. Si, por alguna razón, las bisagras necesitan ajustes, llame a una empresa de servicios profesionales.

## Espacios de Despeje y Ventilación

Deje por lo menos 2" (50.8 mm) de espacio a ambos lados del freezer y 2" (50.8 mm) entre la parte trasera del freezer y la pared. Deje espacio arriba del freezer para abrir la tapa.

No cubra el freezer con artículos tales como frazadas, sábanas, manteles, etc. Esto reduce la circulación de aire.

Mantenga cualquier material y vapores inflamables, tales como gasolina, alejados del freezer.

## Retiro de la Tapa

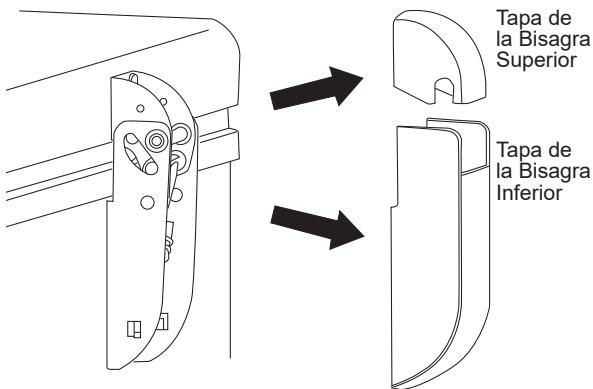
### ⚠ PRECAUCIÓN RIESGO AL LEVANTAR

La tapa es pesada. Use ambas manos para asegurar la tapa antes de levantar la misma.

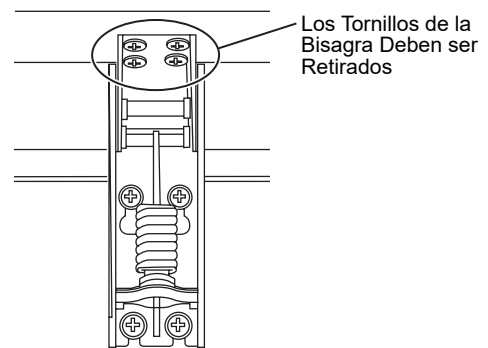
### ⚠ PRECAUCIÓN RESORTE DE LA BISAGRA BAJO TENSION

Si es necesario retirar la tapa, siga estos pasos:

1. Retire la parte inferior de la tapa de la bisagra y luego retire la parte superior.



2. Abra la tapa hasta su posición máxima. (Las bisagras quedan de la forma más suelta en esta posición).
3. Retire los 4 tornillos desde la parte superior de la bisagra y la tapa. El freezer de 22' cuenta con un total de 4 bisagras.



4. Para reinstalar la tapa, siga los pasos de modo inverso. Ajuste todos los tornillos de las bisagras, pero no ajuste en exceso para evitar dañar la capa de pintura. Reinstale las tapas de las bisagras.

# Consejos para la Solución de Problemas... Antes de solicitar el servicio técnico

Économisez temps et argent! Consultez d'abord les tableaux des pages suivantes et vous pourriez vous éviter un appel de service.

Problema	Causas Posibles	Qué hacer
El congelador no funciona o la Luz de encendido está apagada	El control de temperatura está en la posición <b>OFF u O.</b>	Mueva el control a una configuración de temperatura más fría.
	El congelador está <b>desenchufado.</b>	Empuje la clavija completamente en el enchufe.
	Fusible fundido/interruptor de circuito roto.	Reemplace el fusible o reajuste el interruptor.
El congelador arranca/se detiene con demasiada frecuencia	Se dejó la tapa abierta.	Revise si hay un paquete que mantiene la tapa abierta.
	Abrir la tapa con mucha frecuencia o por mucho tiempo.	Abra la tapa con menos frecuencia.
	El control del temperatura está en un nivel demasiado frío.	Vea <i>Acerca de la operación del congelador.</i>
El congelador opera demasiado tiempo	Se dejó la tapa abierta.	Revise si hay un paquete que mantiene la tapa abierta.
	Abrir la tapa con mucha frecuencia o por mucho tiempo.	Abra la tapa con menos frecuencia.
	El control del temperatura está en un nivel demasiado frío.	Vea <i>Acerca de la operación del congelador.</i>
	El espacio para circulación de aire alrededor del gabinete no es adecuado.	Vea <i>Pasos previos a la instalación del congelador.</i>
	La temperatura en la habitación o en el exterior es elevada.	Es normal que el congelador funcione más intensamente con estas condiciones.
	El congelador se ha desconectado recientemente por un rato.	El congelador tarda 4 horas en enfriarse por completo.
	Se han guardado recientemente grandes cantidades de alimentos tibios o calientes.	Los alimentos tibios harán que el congelador funcione por más tiempo hasta alcanzar la temperatura deseada.
Funcionamiento ruidoso o el gabinete vibra	El piso posiblemente sea débil, lo que hace que el congelador vibre cuando funciona el compresor.	Asegúrese de que el freezer esté ubicado en un piso sólido y use cuñas, según sea necesario, para nivelar la unidad.
	El gabinete no está firme en el piso.	Consulte la sección sobre Preparación para la instalación del freezer. Use cuñas, según sea necesario, para nivelar la unidad.
	El congelador toca la pared.	Nivele el congelador o desplácelo un poco. Ver <i>Cómo Nivelar los congeladores.</i>
La temperatura del congelador es demasiado alta	Se dejó la tapa abierta.	Revise si hay un paquete que mantiene la tapa abierta.
	Abrir la tapa con mucha frecuencia o por mucho tiempo.	Abra la tapa con menos frecuencia.
	El control de temperatura se ha configurado a una temperatura muy elevada.	Cambie el control a una configuración más fría. Deje pasar unas horas para que la temperatura se estabilice.
	Se han guardado recientemente grandes cantidades de agua o alimentos calientes.	Espere hasta que el congelador haya alcanzado su temperatura seleccionada.
	El congelador se ha desconectado recientemente.	El congelador necesita 4 horas para enfriarse por completo.
Los alimentos se descongelan	Control de temperatura configurado en la posición <b>Cold (Frío).</b>	Mueva el control hasta un ajuste de temperatura.
	El congelador está <b>desenchufado.</b>	Empuje la clavija completamente en el enchufe.
	Fusible fundido/interruptor de circuito roto.	Reemplace el fusible o reajuste el interruptor.
	Se dejó la tapa abierta.	Revise si hay un paquete que mantiene la tapa abierta.
	Abrir la tapa con mucha frecuencia o por mucho tiempo.	Abra la tapa con menos frecuencia.

## Consejos para la Solución de Problemas... Antes de solicitar el servicio técnico

Problema	Causas Posibles	Qué hacer
La temperatura del congelador es demasiado baja	El control del temperatura está en un nivel demasiado frío.	Vea <i>Acerca de la operación del congelador</i> .
Se forma humedad en la parte externa del gabinete	No es extraño durante períodos de alta humedad.	Seque la superficie con un paño suave.
	La tapa puede estar mal colocada, lo que provoca que el aire frío del interior del congelador se mezcle con el aire húmedo del exterior.	Vea <i>Preparaciones para instalar el congelador</i> .
La luz interior no funciona (en algunos modelos)	No hay corriente en el tomacorriente.	Reemplace el fusible o reajuste el interruptor.
	El congelador está desenchufado.	Empuje la clavija completamente en el enchufe.
La tapa no se cierra completamente sola	Paquete mantiene la tapa abierta.	Mueva el paquete a una ubicación diferente.
Tiempo de arranque lento después de estar desconectado	Protección contra sobrecarga incorporada.	Esto es normal luego de estar apagado.
Acumulación excesiva de escarcha	Se dejó la tapa abierta.	Revise si hay un paquete que mantiene la tapa abierta.
	Abrir la tapa con mucha frecuencia o por mucho tiempo.	Abra la tapa con menos frecuencia.
	No es extraño durante períodos de alta humedad.	Seque la superficie.
La temperatura de la superficie externa del congelador es elevada	Las paredes externas del congelador pueden alcanzar una temperatura de hasta 30°F mayor a la temperatura ambiente.	Esto es normal mientras el compresor funciona para transferir calor desde la parte interior del gabinete del congelador.
Niveles de sonido mayores cuando el congelador está encendido	Los congeladores modernos cuentan con una capacidad de almacenamiento mejorada y temperaturas más estables. Requieren un compresor de alta eficiencia.	Esto es normal. Cuando el nivel de ruido de alrededor es bajo, puede oírse el compresor mientras enfría el interior.
Niveles de sonido más prolongados cuando se enciende el compresor	El congelador funciona a presiones más altas durante el inicio del ciclo <b>ON</b> (encendido).	Esto es normal. El sonido bajará o desaparecerá mientras el congelador siga funcionando.
Ruidos de crujidos o chasquidos cuando se enciende el compresor	Las piezas de metal sufren expansión y contracción, como las tuberías de agua caliente.	Esto es normal. El sonido bajará o desaparecerá mientras el congelador siga funcionando.
Sonidos de borboteos o gorgoteos, como agua hirviendo	El refrigerante (utilizado para enfriar el congelador) se encuentra circulando por el sistema.	Esto es normal.
Se forma humedad en las paredes externas del congelador	El clima es caluroso y húmedo, lo que incrementa el nivel interno de acumulación de escarcha.	Esto es normal.
	La tapa puede estar mal colocada.	Vea <i>Preparaciones para instalar el congelador</i> .
	La tapa quedó abierta mucho tiempo o se abre muy frecuentemente.	No abra la tapa tan seguido.
Olores en el congelador	Debe limpiarse la parte interna.	Limpie el interior con una esponja, agua tibia y bicarbonato de sodio.
	Hay alimentos con olores fuertes dentro del congelador.	Cubra bien los alimentos.

### Características de funcionamiento normales

Todo esto es normal y no indica necesidad de servicio.

- Gabinete exterior tibio a medida que el sistema de refrigeración transfiere calor desde el interior hacia el exterior a través de las paredes externas del gabinete.
- Sonido de motor compresor de alta eficiencia.





# Garantía limitada del refrigerador de Crosley® Corporation

**GARANTÍA LIMITADA**

## Crosley.com

Su electrodoméstico está cubierto por una garantía limitada, como figura a continuación, de GE Appliances. Todo el servicio de garantía es provisto por nuestros Centros de Servicio de Fabricación de Electrodomésticos GE Appliances, o por un técnico autorizado del servicio técnico. Para programar el servicio técnico, comuníquese con Crosley al 800.544.4780. Cuando llame para solicitar el servicio técnico, tenga los números de serie y modelo disponibles.

<b>Por el Período de:</b>	<b>GE Appliances Reemplazará</b>
<b>Un Año</b> Desde la fecha de la compra original	<b>Cualquier parte</b> del refrigerador que falle debido a defectos en los materiales o en la fabricación. Durante esta garantía <b>limitada de un año</b> , GE Appliances también proporcionará, <b>sin costo alguno</b> , toda la mano de obra y el servicio relacionado para reemplazar partes defectuosas.

### Esta garantía no cubre:

- Viajes del técnico del servicio a su hogar para enseñarle sobre cómo usar el producto.
- Instalación inadecuada, entrega o mantenimiento.
- Fallas del producto en caso de abuso, mal uso, o uso para propósitos diferentes al original o uso comercial.
- Pérdida de alimentos por mal estado.
- Daño causado después de la entrega.
- Reemplazo de fusibles de la casa o reinicio de disyuntores.
- Daños ocasionados sobre el producto por accidente, incendio, inundaciones o catástrofes naturales.
- Daños consecuentes o incidentales causados por posibles defectos de este producto.
- Producto no accesible para brindar el servicio requerido.

### Garantía Extendida de Crosley®

Además de la garantía que figura más arriba, solicítele a su vendedor minorista o en **Crosley.com/warranty** la **Garantía Limitada Extendida por 10 Años de Crosley**, la cual es provista sin costo adicional. Esta garantía cubrirá su producto cuando la garantía inicial del fabricante caduque luego de 10 años. Para conocer detalles específicos, por favor comuníquese con Crosley a través de **Crosley.com** o llame a Crosley al 800.356.5268.

### EXCLUSIÓN DE GARANTÍAS IMPLÍCITAS

Su única y exclusiva alternativa es la reparación del producto, como se indica en la Garantía Limitada. Las garantías implícitas, incluyendo garantías implícitas de comerciabilidad o conveniencia sobre un propósito particular, se limitan a un año o al período más corto permitido por la ley.

Esta garantía se extiende al comprador original y a cualquier dueño subsiguiente de productos comprados para uso hogareño dentro de EE.UU. Si el producto está en un área donde no se encuentra disponible un Proveedor Autorizado del Servicio Técnico de GE Appliances, usted será responsable por el costo de un viaje o se podrá requerir que traiga el producto a una ubicación del Servicio Técnico de GE Appliances Autorizado para recibir el servicio. En Alaska, la garantía excluye el costo de envío o llamadas del servicio a su hogar.

Algunos estados no permiten la exclusión o limitación de daños fortuitos o consecuentes. Esta garantía le da derechos legales específicos y es posible que tenga otros derechos legales que varían entre un estado y otro. Para conocer cuáles son sus derechos legales, consulte a la oficina de asuntos del consumidor local o estatal o al Fiscal de su estado.



**Garante: GE Appliances, a Haier company**  
Louisville, KY 40225

Abroche su recibo aquí. Para acceder al servicio técnico de acuerdo con la garantía deberá contar con la prueba de la fecha original de compra.

# Soporte para el Consumidor

---

## Crosley Website

¿Desea realizar una consulta o necesita ayuda con su electrodoméstico? Visite el sitio Web de Crosly durante las 24 horas, cualquier día del año en **Crosley.com**. Usted también puede comprar otros grandes productos de Crosley en nuestro sitio Web.

---

## Registre su Electrodoméstico

¡Registre su electrodoméstico nuevo a través de Internet, según su conveniencia en **Crosley.com/mycrosley**. Un registro puntual de su producto permitirá una mejor comunicación y un servicio más puntual de acuerdo con los términos de su garantía, en caso de surgir la necesidad. También puede enviar una carta en la tarjeta de inscripción preimpresa que se incluye con el material embalado.

---

## Servicio Programado

El servicio de reparación de Crosley está a sólo un paso de su puerta. Para programar el servicio técnico, comuníquese al 800.544.4780 durante el horario de atención comercial.

---

## Garantía Limitada de 10 Años de CROSLEYCARE®

Cuando compre un electrodoméstico Crosley, recibirá una de las mejores garantías disponibles en la industria de electrodomésticos. Para más información, visite **Crosley.com/warranty**. Visite **Crosley.com/mycrosley** y registre la garantía limitada extendida.

---

## Piezas y Accesorios

Aquellos individuos calificados para realizar el servicio técnico de sus propios electrodomésticos podrán solicitar el envío de piezas o accesorios directamente a sus hogares (se aceptan las tarjetas VISA, MasterCard y Discover). Ordene hoy a través de Internet durante las 24 horas, todos los días. Visita **GEApplianceparts.com** o de forma telefónica al 877.959.8688 durante el horario de atención comercial.

**Las instrucciones que figuran en este manual cubren los procedimientos que serán realizados por cualquier usuario. Otros servicios técnicos generalmente deben ser derivados a personal calificado del servicio. Se deberá tener cuidado, ya que una reparación indebida podrá hacer que el funcionamiento no sea seguro.**