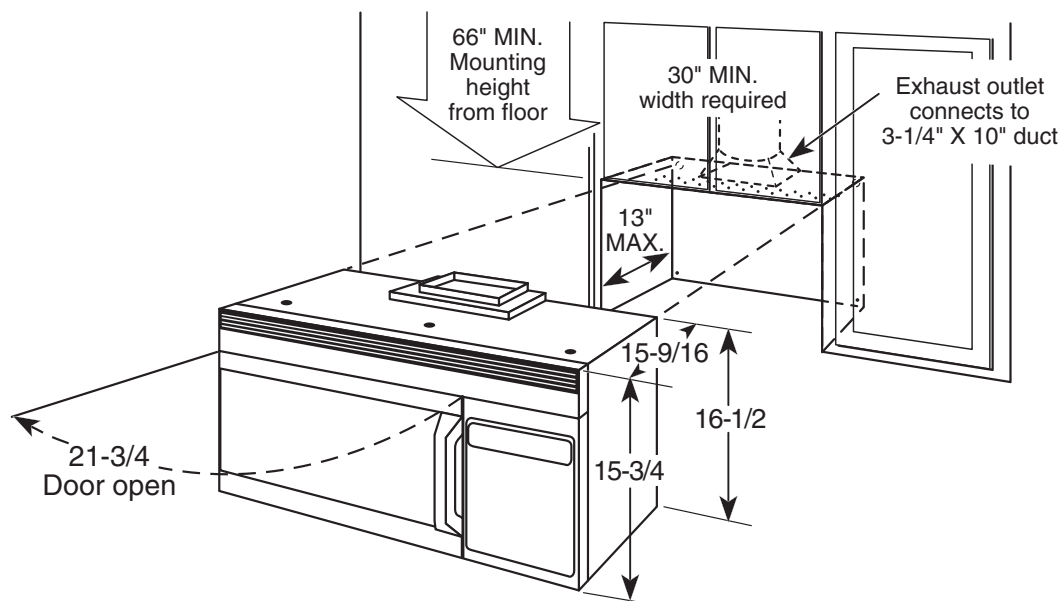


# HOTPOINT®

## RVM1635BJ/CJ/WJ – Hotpoint® 1.6 Cu. Ft. Over-the-Range Microwave Oven

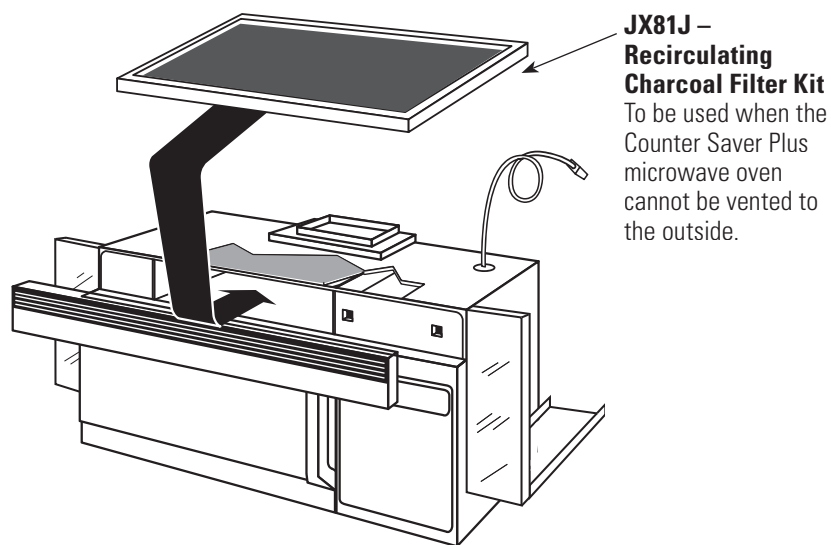
### Dimensions (in inches)



**Important Information:** When installing the microwave oven over a range, allow minimum of 2" from bottom of Counter Saver Plus microwave oven to top of range backguard to allow for removal of light covers.

**Installation Information:** This information is not intended to be used for installing unit described. Before installing, consult installation instructions packed with product/kit for current dimensional data.

### Optional Accessories (Available at additional cost)



**Ventilation Options:** The microwave oven is designed for adaptation for the following three types of ventilation:

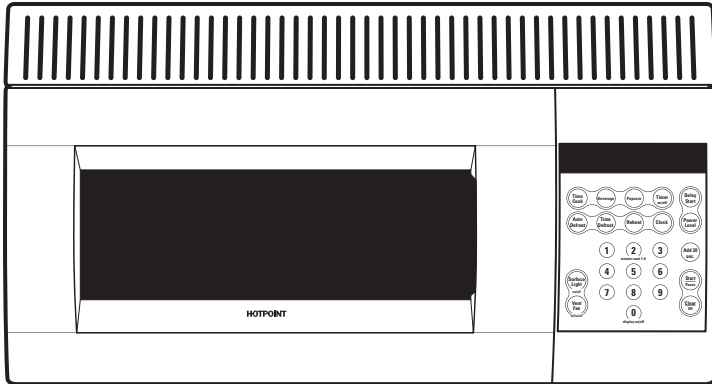
**Outside Exhaust** (Vertical – Delivered from factory in vertical position)

**Outside Exhaust** (Horizontal)

**Recirculating** (Non-vented ductless)

# HOTPOINT®

## RVM1635BJ/CJ/WJ – Hotpoint® 1.6 Cu. Ft. Over-the-Range Microwave Oven



### Features and Benefits

- 1.6 cu. ft. oven cavity – 1000 Watts
- Turntable – Continually rotates food to ensure even cooking
- Instant On Controls – Allow quick, one-touch cooking and reheating
- Auto and Time Defrost – Automatically defrosts for a specified amount of time
- Time Cook I & II – Makes it possible to enter two cooking times, so users can stop the microwave to stir or rotate foods without reprogramming
- Express Cook pads – A shortcut to set cook times from 1 to 6 minutes
- Two-Speed, 200-CFM Venting System – Quickly removes smoke and steam from the cooktop
- Full-View Cooktop Lighting – Illuminates the cooking surface below
- Child lock out – Enables you to lock the keypad to prevent the oven from being accidentally started
- Easy-mount installation – Easily mounts below cabinetry, freeing up valuable counter space
- Model RVM1635BJ – Black
- Model RVM1635CJ – Bisque
- Model RVM1635WJ – White