

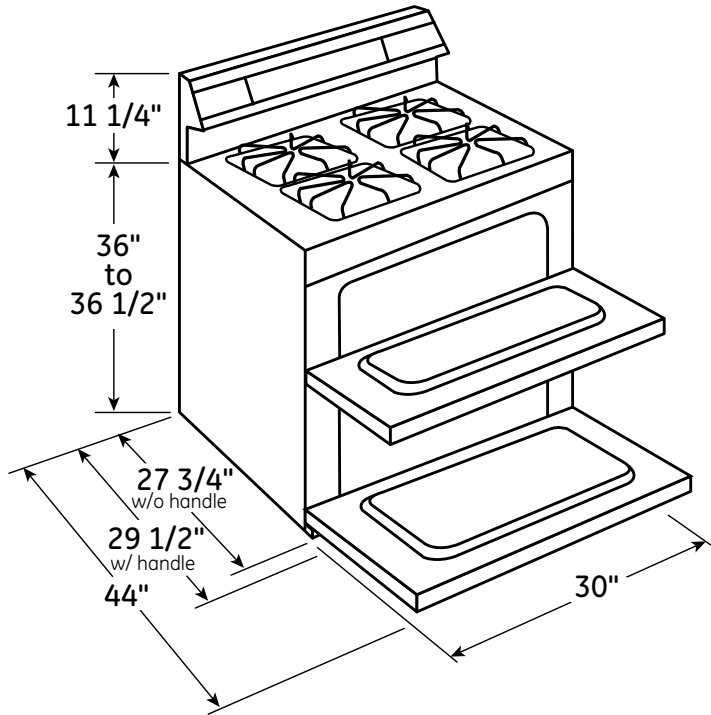
# JGB870SEF

## GE® 30" Free-Standing Gas Double Oven Range with Convection

### Dimensions and Installation Information (in inches)

**Electrical Rating:** 120V, 60Hz, 15A

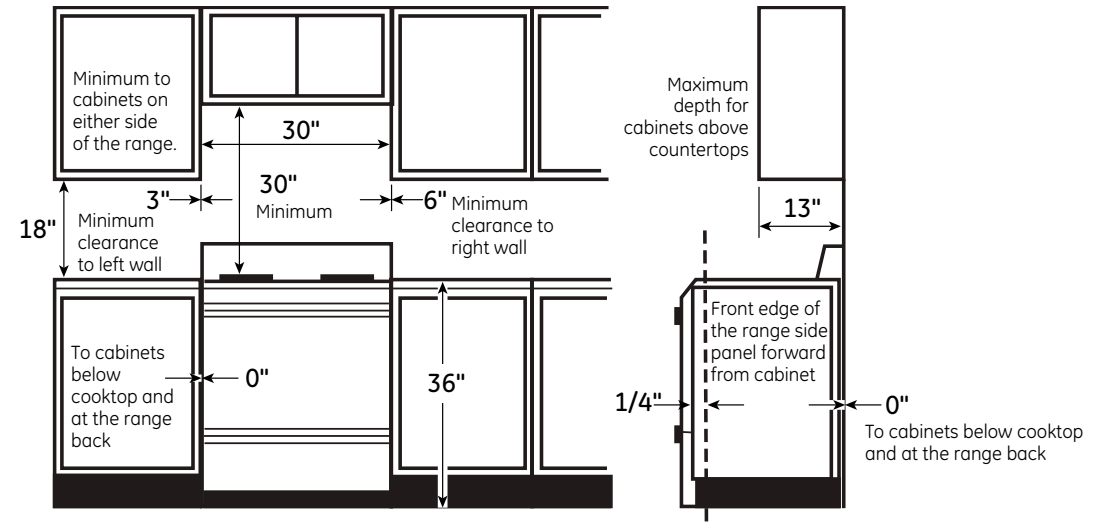
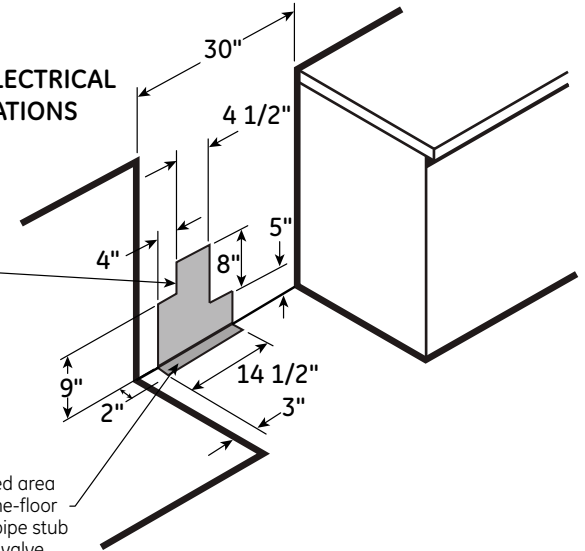
**Installation Information:** Before installing, consult installation instructions packed with product for current dimensional data.



### GAS PIPE AND ELECTRICAL OUTLET LOCATIONS

Recommended area for 120V outlet on rear wall and area for through-the-wall connection of pipe stub and shut-off valve.

Recommended area for through-the-floor connection of pipe stub and shut-off valve.



For answers to your Monogram® or GE® appliance questions, visit our website at [geappliances.com](http://geappliances.com) or call GE Answer Center® service, 800.626.2000.



All GE ranges are equipped with an Anti-Tip device. The installation of this device is an important, required step in the installation of the range.



# JGB870SEF

## GE® 30" Free-Standing Gas Double Oven Range with Convection

### Features and Benefits

- Double Oven 6.8 cu. ft. Total Capacity - Large capacity is ideal for big meals
- 17,000 BTU Power Boil Burner - Delivers intense heat for fast boiling
- Precise Simmer Burner - Delicate foods don't burn with low, even heat
- Reversible Cast-Iron Griddle/Grill - Two great ways to cook
- Center Oval Burner - Large oval fifth burner is ideal for griddle or odd-size cookware
- Gas Convection Oven - Circulates heat for high-quality results
- Heavy-Cast, Continuous Grates - Allow for easy movement of pans between burners
- Self-Clean Oven - Cleans the oven cavity without the need for scrubbing
- Black Gloss Oven Interior - Enjoy a clean and sleek appearance
- Model JGB870SEFSS - Stainless steel

