



# Bottom Freezer REFRIGERATORS

**SAFETY INFORMATION** ..... 3

**OPERATING INSTRUCTIONS**

Features..... 6  
 Controls..... 10  
 Dispenser..... 12  
 Autofill\* ..... 12  
 WiFi ..... 13  
 Demand Response ..... 14  
 Water Filter..... 15  
 Refrigerator Storage Options..... 16  
 Climate Zone..... 18  
 Convertible Drawer ..... 18  
 Freezer..... 19  
 Automatic Icemaker..... 20

**CARE AND CLEANING** ..... 21

Replacing the Lights ..... 22

**INSTALLATION INSTRUCTIONS**

Preparing to Install the  
 Refrigerator..... 23  
 Installing the Refrigerator..... 26  
 Installing the Water Line..... 35

**TROUBLESHOOTING** ..... 38

Normal Operating Conditions ..... 38  
 Troubleshooting Tips..... 39  
 Truth or Myth ..... 41

**LIMITED WARRANTY** ..... 43

**CONSUMER SUPPORT**

XWFE Water Filter Cartridge  
 Limited Warranty..... 44  
 Performance Data Sheet..... 45  
 Consumer Support..... 48

\*Select Models Only

Write the model and serial numbers here:

Model # \_\_\_\_\_

Serial # \_\_\_\_\_

Find these numbers on a label on the left side, near the middle of the refrigerator compartment.

**OWNER'S MANUAL & INSTALLATION INSTRUCTIONS**

Models PVD and PXD

**ENGLISH/FRANÇAIS/ESPAÑOL**

## **THANK YOU FOR MAKING GE APPLIANCES A PART OF YOUR HOME.**

---

Whether you grew up with GE Appliances, or this is your first, we're happy to have you in the family.

We take pride in the craftsmanship, innovation and design that goes into every GE Appliances product, and we think you will too. Among other things, registration of your appliance ensures that we can deliver important product information and warranty details when you need them.

Register your GE appliance now online. Helpful websites and phone numbers are available in the Consumer Support section of this Owner's Manual. You may also mail in the pre-printed registration card included in the packing material.



# IMPORTANT SAFETY INFORMATION

## READ ALL INSTRUCTIONS BEFORE USING THE APPLIANCE

**▲ WARNING** To reduce the risk of fire, explosion, electric shock, or injury when using your refrigerator, follow these basic safety precautions:

- This refrigerator must be properly installed and located in accordance with the Installation Instructions before it is used.
- Unplug the refrigerator before making repairs or cleaning.  
**NOTE:** Power to the refrigerator cannot be disconnected by any setting on the control panel.  
**NOTE:** Repairs must be performed by a qualified Service Professional.
- Replace all parts and panels before operating.
- Do not use an extension cord.
- Keep flammable materials and vapors away from the refrigerator.
- Do not store explosive substances such as aerosol cans with a flammable propellant in this appliance.
- To prevent suffocation and entrapment hazards to children, remove the refrigerator and freezer doors from any refrigerator before disposing of it or discontinuing its use.
- To avoid serious injury or death, children should not stand on, or play in or with the appliance.
- Children and persons with reduced physical, sensory or mental capabilities or lack of experience and knowledge can use this appliance only if they are supervised or have been given instructions on safe use and understand the hazards involved.
- This appliance is intended to be used in household and similar applications such as: staff kitchen areas in shops, offices and other working environments; farm houses; by clients in hotels, motels, bed & breakfast and other residential environments; catering and similar non-retail applications.
- Connect to potable water supply only. A cold water supply is required for automatic icemaker operation. The water pressure must be between 40 and 120 psi (275-827 kilopascals).
- Do not apply harsh cleaners to the refrigerator. Certain cleaners will damage plastic which may cause parts such as the door or door handles to detach unexpectedly. See the Care and Cleaning section in your Owner's Manual for detailed instructions.

**▲ CAUTION** To reduce the risk of injury when using your refrigerator, follow these basic safety precautions.

- Do not clean glass shelves or covers with warm water when they are cold. Glass shelves and covers may break if exposed to sudden temperature changes or impact, such as bumping or dropping. Tempered glass is designed to shatter into many small pieces if it breaks.
- Keep fingers out of the "pinch point" areas; clearances between the doors and between the doors and cabinet are necessarily small. Be careful closing doors when children are in the area.
- Do not touch the cold surfaces in the freezer compartment when hands are damp or wet, skin may stick to these extremely cold surfaces.
- Do not refreeze frozen foods which have thawed completely.
- In refrigerators with automatic icemakers, avoid contact with the moving parts of the ejector mechanism, or with the heating element that releases the cubes. Do not place fingers or hands on the automatic ice making mechanism while the refrigerator is plugged in.

### **▲ WARNING** FIRE OR EXPLOSION HAZARD

Keep flammable materials and vapors away from refrigerator. Failure to do so can result in fire, explosion, or death.

### **▲ WARNING** Tip Over Hazard.

Models PJD, PJE, PXD, CJE, and CXE are top heavy especially with doors open. These models have an anti-tip bracket packaged with your refrigerator which must be installed and properly secured to the home's structure to prevent tipping forward, which could result in death or serious injury. Read and follow the entire installation instructions for installing the anti-tip floor bracket provided with your refrigerator.

## READ AND SAVE THESE INSTRUCTIONS

# IMPORTANT SAFETY INFORMATION

## READ ALL INSTRUCTIONS BEFORE USING THE APPLIANCE

### **⚠ WARNING** FIRE OR EXPLOSION HAZARD Flammable Refrigerant

This appliance contains isobutane refrigerant, also known as R600a, a natural gas with high environmental compatibility. However, it is also combustible. Adhere to the warnings below to reduce the risk of injury or property damage.

1. When handling, installing and operating the appliance, care should be taken to avoid damage to the refrigerant tubing.
2. Service shall only be performed by authorized service personnel. Use only manufacturer-authorized service parts.
3. Dispose of refrigerator in accordance with Federal and Local Regulations. Flammable refrigerant and insulation material used require special disposal procedures. Contact your local authorities for the environmentally safe disposal of your refrigerator.
4. Keep ventilation openings in the appliance enclosures or in the built-in structure clear of obstruction.
5. To remove frost, scrape with a plastic or wood spatula or scraper. Do not use an ice pick, metal, or sharp-edged instrument as it may puncture the freezer liner and then the flammable refrigerant tubing behind it.
6. Do not use electrical appliances inside the food storage compartment of the appliance.
7. Do not use any electrical device in defrosting your freezer.

## CONNECTING ELECTRICITY

### **⚠ WARNING** ELECTRICAL SHOCK HAZARD

Plug into a grounded 3-prong outlet

Do not remove the ground prong

Do not use an adapter

Do not use an extension cord.

Failure to follow these instructions can result in death, fire, or electrical shock.

**Do not, under any circumstances, cut or remove the third (ground) prong from the power cord. For personal safety, this appliance must be properly grounded.**

The power cord of this appliance is equipped with a 3-prong (grounding) plug which mates with a standard 3-prong (grounding) wall outlet to minimize the possibility of electric shock hazard from this appliance.

Have the wall outlet and circuit checked by a qualified electrician to make sure the outlet is properly grounded.

Where a standard 2-prong wall outlet is encountered, it is your personal responsibility and obligation to have it replaced with a properly grounded 3-prong wall outlet. Do not use an adapter.

The refrigerator should always be plugged into its own individual electrical outlet which has a voltage rating that matches the rating plate.

A 115 Volt AC, 60 Hz, 15- or 20-amp fused, grounded electrical supply is required. This provides the best performance and also prevents overloading house wiring circuits which could cause a fire hazard from overheated wires.

Never unplug your refrigerator by pulling on the power cord. Always grip plug firmly and pull straight out from the outlet.

Immediately discontinue use of a damaged supply cord. If the supply cord is damaged, it must be replaced by a qualified service professional with an authorized service part from the manufacturer.

When moving the refrigerator away from the wall, be careful not to roll over or damage the power cord.

## READ AND SAVE THESE INSTRUCTIONS

# IMPORTANT SAFETY INFORMATION

## READ ALL INSTRUCTIONS BEFORE USING THE APPLIANCE

### PROPER DISPOSAL OF YOUR OLD REFRIGERATOR

#### **▲ DANGER** SUFFOCATION AND ENTRAPMENT HAZARD

Failure to follow these disposal instructions can result in death or serious injury

**IMPORTANT:** Child entrapment and suffocation are not problems of the past. Junked or abandoned refrigerators are still dangerous even if they will sit for “just a few days.” If you are getting rid of your old refrigerator, please follow the instructions below to help prevent accidents.

#### **Before You Throw Away Your Old Appliance**

- Take off the refrigerator and freezer doors.
- Leave the shelves in place so that children may not easily climb inside.

#### **Refrigerant and Foam Disposal:**

Dispose of appliance in accordance with Federal and Local Regulations. Flammable refrigerant and insulation material used requires special disposal procedures. Contact your local authorities for the environmentally safe disposal of your refrigerator.

## READ AND SAVE THESE INSTRUCTIONS

# Features

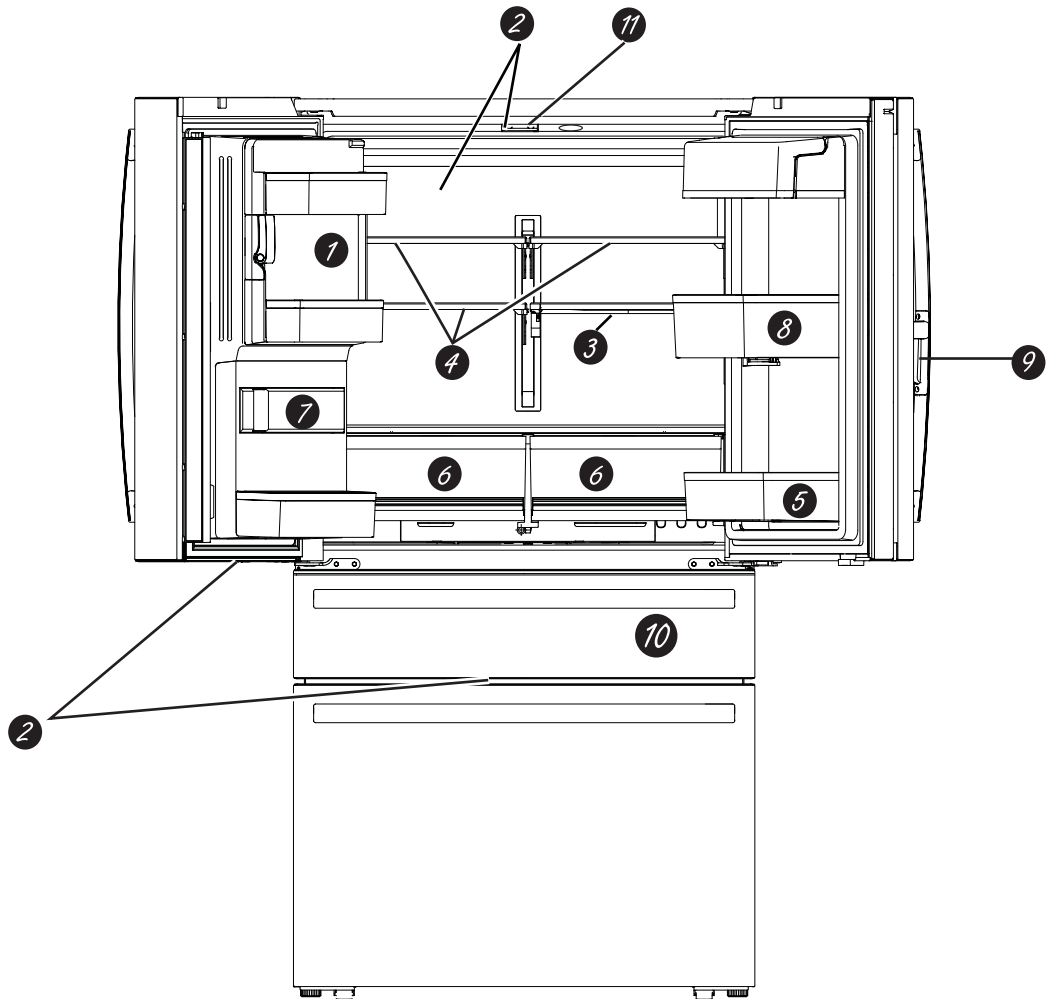
## Profile Models PVD28, PXD22, PVD28H, PXD22H

Door Display Assembly



12

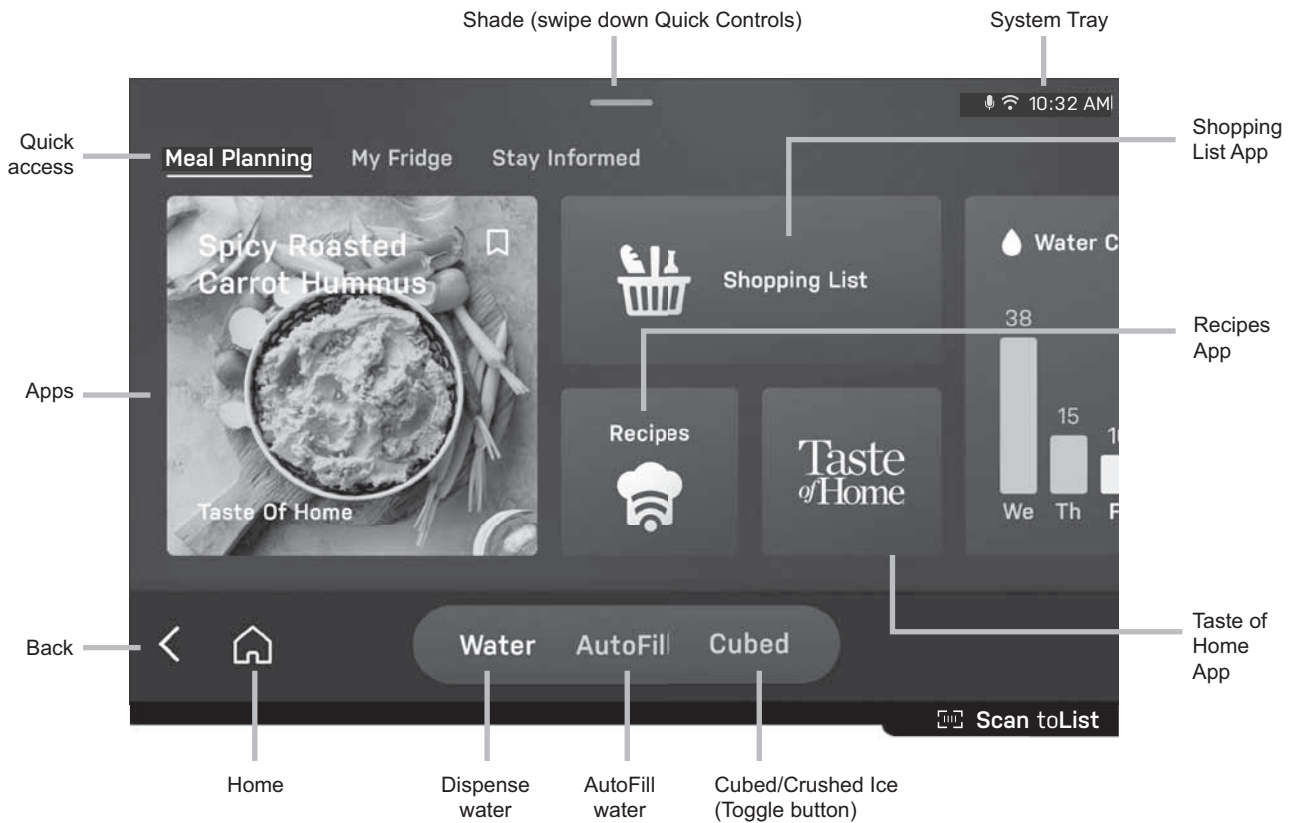
13



- 1 Space-saving ice maker**  
Ice maker and bin are located on the door creating more usable storage space.
- 2 Showcase LED lighting**  
LED lighting is positioned throughout the interior to spotlight areas in the refrigerator. LEDs are located under the refrigerator door to light the convertible drawer, and LEDs are under the convertible drawer to light the freezer drawer.
- 3 QuickSpace shelf**  
Functions as a normal full-sized shelf when needed and easily slides back to store tall items below.
- 4 Spillproof shelves**  
Designed to capture your spills for easier clean up.
- 5 Removable door bin**  
Can be removed for those with a wall limiting the door opening.
- 6 Climate zone bin**  
Separate bins for produce storage.
- 7 Water filter**  
Filters water and ice. Certified to reduce chlorine-resistant cysts, lead, select pharmaceuticals, and more. For easy filter replacement instructions, see page 14.
- 8 Rotating Bin (on some models)**  
Can be rotated out for easy access.
- 9 Door in Door Latch (on some models)**  
Squeeze the latch on the underside of the handle to open the outer door.
- 10 Convertible drawer**  
Select the best temperature to store your food.
- 11 Fridge Focus camera (on PVD28H & PXD22H)**  
Position of camera adjusts front to back, and privacy shutter can be used by sliding to the side.
- 12 Speaker (on PVD28H & PXD22H)**  
Produces sharp and detailed sound, making voices, music, and notifications easy to hear.
- 13 Scan-to-List (on PVD28H & PXD22H)**  
Barcode Scanner to scan Barcodes.

# Features

## Profile Models PVD28H, PXD22H








### Personalizing Your Refrigerator

#### Accessing Settings

- Touch and hold the gray bar at the top of the display.
- Swipe downward to open the Settings panel.

#### Quick Controls

- **SmartHQ Status** : View the icon in the upper left corner for your connected status in SmartHQ.
- **Light** : Touch the Light icon to turn the dispenser light On or Off.
- **Lock** : Touch the Lock icon to enable or disable the Control Lock.
- **Microphone** : Touch the Microphone icon to turn the microphone On or Off.
  - (Turning Off the microphone disables voice commands.)
- **Volume** : Adjust the media volume by moving the Volume slider to the desired level.
- **Screen Brightness**: Adjust the display brightness by moving the Brightness slider.
- **Settings**: Adjust any settings on appliance or screen. (see more details below.)
- **Ambient**: Quickly active the Ambient screen to see your customized backdrops and widgets.
- **Alerts**: Access your historical list of notifications that show on your appliance.

### Fridge Controls:

- **Refrigerator Temperature**: Press + or – to adjust between 34°F (1°C) and 42°F (6°C).
- **Drawer Settings**: Select one of the following modes: Meat: 29°F Beverages: 33°F Snacks: 37°F Wine: 42°F
- **Freezer Temperature**: Press + or – to adjust between –6°F (–21°C) and 5°F (–15°C). Ice Maker: Turn On or Off to start or stop ice production.

### Lighting:

- **Showcase LED Light wall**: Turn On or Off and Adjust brightness using the dimming slide
- **Presence Sensor**: Turn On or Off
- **Dispenser Sensor Lighting**: Turn On or Off (When enabled, the dispenser light turns on automatically when you approach the refrigerator)

### Advanced:

- **Temperature Units**: Select Fahrenheit (°F) or Celsius (°C)
- **Sabbath Mode**: Go to Settings > Sabbath to activate Sabbath Mode. Press and hold the screen for 10 seconds to exit.
- **Cooling Systems**: Turn cooling systems On or Off (Before turning Off the cooling system, empty the refrigerator. This feature is recommended for long idle periods such as vacations or deep cleaning to help conserve energy.)

# Features

---

## Profile Models PVD28H, PXD22H

**FridgeFocus:** Turn On or Off internal refrigerator snapshots

### Scan-to-List (Requires Wi-Fi and SmartHQ Login)

- **Scan-to-List:** Enable or disable the barcode scanner.
- **Scanner Target Light:** Turn barcode scanner light On or Off
- **Auto-Add to List after Scanning:** Turn On or Off Automatically add scanned items to your list

### System:

- **About** – find details about software versions.
- Location
- Time and Date settings
- **Service Mode** – for Service Technicians.
- **Showroom Mode** – Only for retailers.
- **Clear User Data** – Quickly clear all the user data stored on the appliance and disconnect from Wifi.

**UI Reset** – if a reset is needed simply unlock the Convertible Drawer UI then press the **Meat** and **Snack** buttons simultaneously for 3 seconds to trigger a UI restart. This will take a few minutes.

### Get Connected to SmartHQ

- **Download** the SmartHQ app from the app store.



- **Sign In** to SmartHQ to see your refrigerator in the app to get the full benefits of connecting.
- **Connect** your refrigerator from the display by selecting ANY feature that requires connection to start, such as Shopping List or Recipes. Follow on-screen instruction to connect your refrigerator to you SmartHQ Account.

### Display and Appearance

- **Brightness:** Adjust the Screen Brightness level by Adjusting Brightness bar found in the Shade settings
- Energy Saver Touch on/off icon for Energy saver mode on/off ( This mode allows customization for your display's scheduled Energy saver mode on/off times)

### Ambient Mode:

- Clock Group( Add/Remove Date and weather together or individually)
- Widgets( Add/Remove Weather and Recipes widgets together or individually to Home screen)

### Backdrop:

- Select Backdrop(s) from the options to personalize your ambient screen image.

### Sounds and Alerts

- **Media Volume:** Adjust the Volume as needed by adjusting Volume bar
- **Interface Volume:** Change interface Volume to **Off, Low, Med** or **High** as needed
- **Touch Tone:** Turn On/Off touch tone
- **Time Alert:** Sets the sound level for system tones, timers and alerts.

### Voice & Microphone:

- **Microphone:** Turn On/Off Microphone ( Turning Off will disable Voice commands)
- If there are 2 appliances in the same kitchen that support “Hey HQ”, you should mute one to avoid both responding.
- Use “Hey HQ” as the wake word to execute commands:
  - “what filter do I need to buy”
  - “Add apples to my shopping list.”
  - “Give me 20 oz of water”
  - “Start Turbo Cool.”

### Barcode Scanning:

- The barcode scanner includes an indicator LED to help users align the barcode with the reader.
- This LED is not a laser, and it has been tested in accordance with the industry standard IEC 62471, which evaluates the photobiological safety of lamps and lamp systems—even under extended retinal exposure.
- The LED is not required for the barcode scanner to function. If you prefer to turn it off for any reason, you may do so through the unit's settings menu without affecting the scanner's performance.
- Scan-to-List toggle will turn the scanner ON or OFF.
- Scanner Target Light - A green dot that will help you align the barcode to the scanner.
- Auto-Add to List: Automatically adds items to your shopping list when you scan.
- Only 1 dimensional bar code labels are supported. QR Codes and some other formats are not supported.

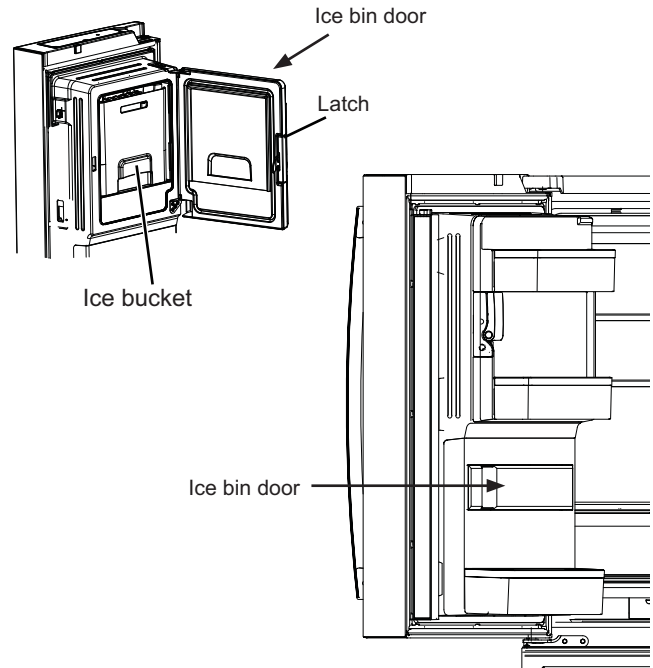
# Features

## Door ice bin removal

1. Open left refrigerator door.
2. Pull down latch to release bin door.
3. Using handhold lift ice bucket up and out to clear locators in bottom of bin.
4. To replace the ice bucket, set it on the guide brackets and push until the ice bucket seats properly.
5. If bucket cannot be replaced, rotate the Ice Bucket Fork 1/4 turn clockwise.

## Ice/water filter

Certified to reduce chlorine-resistant cysts, lead, select pharmaceuticals, and more. For easy filter replacement instructions see page 13.



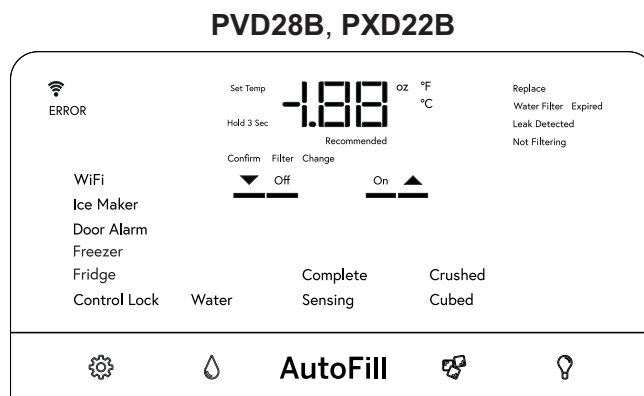
# Controls

## REFRIGERATOR/FREEZER CONTROLS

We are continuously updating our software. Please reference the full owner's manual online for the latest functionality at [GEAppliances.com](http://GEAppliances.com). In Canada, visit [GEAppliances.ca](http://GEAppliances.ca).

The refrigerator is shipped with protective film covering the controls. If the film was not removed during installation, remove it now.

The recommended temperature settings, preset from the factory, are 37°F (3°C) for the refrigerator and 0°F (-18°C) for the freezer.



### Changing the Temperature

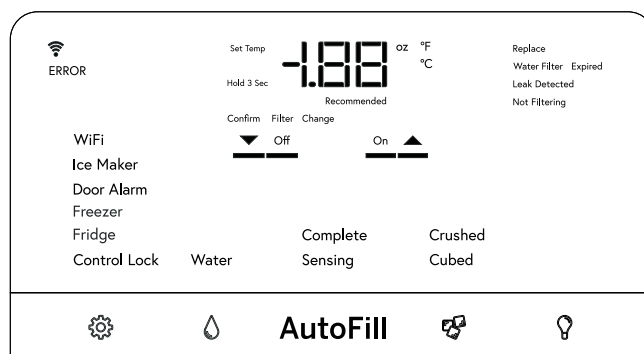
#### To Change the Refrigerator Temperature:

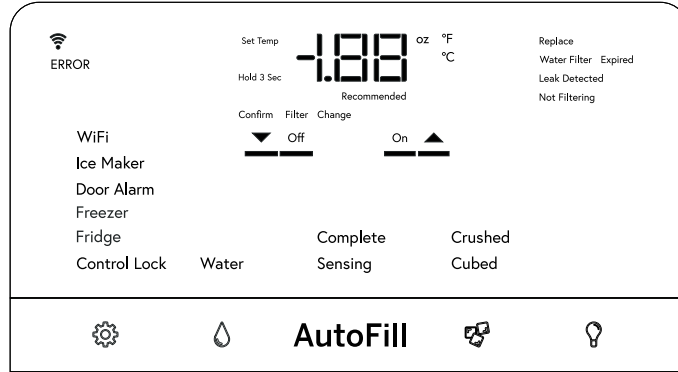
Press the **Settings** button (⚙️) until “Fridge” is highlighted. Press the Up or Down arrow buttons to increase or decrease temperature settings.

#### To Change the Freezer Temperature:

Press the Settings button (⚙️) until “Freezer” is highlighted. Press the Up or Down arrow buttons to increase or decrease temperature settings.

The cooling system can be turned off by pressing the Settings button (⚙️) until either “Fridge” or “Freezer” is highlighted. Press and hold both the Up and Down arrow buttons for 3 seconds. “- -” will be displayed when the system is off. Turning the cooling system off stops the cooling to the refrigerator, but it does not shut off the electrical power. The cooling system can be turned on by returning to the “Fridge” or “Freezer” setting and pressing the On button.





**Settings** (⚙️) - Press to scroll through the refrigerator functions.

- **Control Lock** - Press ON to lock out ice and water dispenser and all feature and temperature buttons. Press and hold OFF for 3 seconds to deactivate.
- **Fridge** - Press Up or Down button to increase or decrease temperature from 34°F(1°C) to 42°F (6°C).
- **Freezer** - Press Up or Down button to increase or decrease temperature from -6°F (-21°C) to 5°F (-15°C).
- **Door Alarm** - Sounds an alert when the freezer or refrigerator doors have been left open. Snooze the alert by pressing any key. Press On or Off to activate or deactivate Door Alarm while an alert is not active.
- **Ice Maker** - Press On or Off to start/stop Ice Maker.
- **WiFi** - (on some models) Press On to start the WiFi connection process per the instructions on Page 12. Press Off to disable WiFi. Note that restarting WiFi requires repeating the WiFi connection process.  
 GE Profile Door-in-Door models PVD28, PXD22 have built-in Wifi  
 GEA models GVE28 are Connect Plus Ready

**Water** (💧) - Press to select Water to dispense when the paddle is pressed.

**AutoFill\*** - Press to initiate automatic sensing to fill from dispenser.

**Ice** (🧊) - Press to select crushed or cubed ice when the paddle is pressed.

**Light** (💡) - Press to control dispenser lighting. Chime will accompany each press.

**Fahrenheit / Celsius:**

Temperature display can be switched between Fahrenheit and Celsius. Press Settings button (⚙️) to navigate to “Fridge” or “Freezer”, then press and hold the Ice button and Light button for three seconds.

**Volume Control:**

Alert volume can be adjusted from High to Low and Off. Press Settings button (⚙️) to navigate to “Icemaker”, then press and hold the Ice button and Light button for three seconds.

**Sabbath Mode:**

Simultaneously hold the Settings (⚙️), Water, and Light buttons for three seconds to enter and exit Sabbath mode.

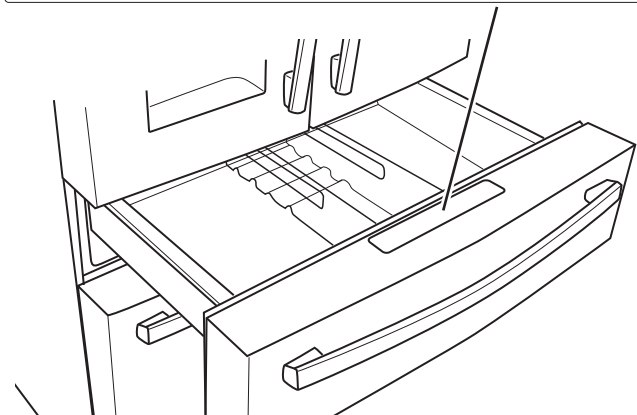
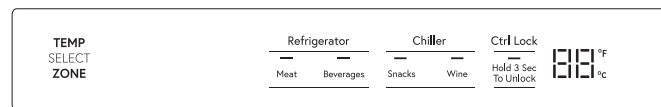
## CONVERTIBLE DRAWER

Temperature in the Convertible Drawer is selected by pressing the food item to be kept in the drawer. The corresponding temperatures are:

Meat	29°F (-2°C)
Beverages	33°F (1°C)
Snacks	37°F (3°C)
Wine	42°F (6°C)

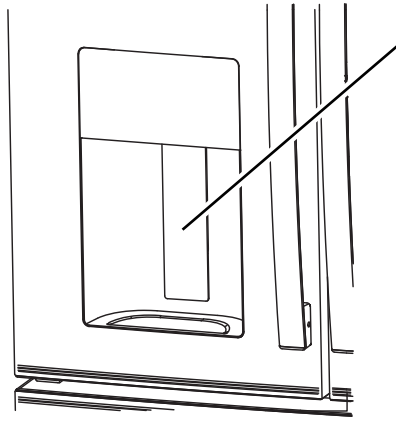
The temperature setting is locked by default. Button must be pressed for 3 seconds to unlock.

Pressing and holding multiple keys will reset the Display.



\*Select models only

# Dispenser



**Water & Ice Dispenser**  
(See About the controls with temperature settings & About the control features)

## **▲ WARNING** Laceration Hazard

- Never put fingers or any other object into ice crusher discharge opening. Doing so can result in contacting the ice crushing blades and lead to serious injury or amputation
- Use a sturdy glass when dispensing ice. A delicate glass may break and result in personal injury.

If no water is dispensed when the refrigerator is first installed, there may be air in the water line system. Press the dispenser paddle for at least five minutes to remove trapped air from the water line and to fill the water system. To flush out impurities in the water line, throw away the first six full glasses of water.

## Important Facts About Your Dispenser

- Do not add ice from trays or bags to the door ice maker bucket. It may not crush or dispense.
- Avoid overfilling glass with ice and use of narrow glasses. Backed-up ice can jam the chute or cause the door in the chute to freeze shut. If ice is blocking the chute remove the ice bucket, poke it through with a wooden spoon.
- Beverages and foods should not be quick-chilled in the door ice maker bin. Cans, bottles or food packages in the storage drawer may cause the ice maker or auger to jam.
- To keep dispensed ice from missing the glass, put the glass close to, but not touching, the dispenser opening.
- Some crushed ice may be dispensed even though you selected **CUBED**. This happens occasionally when a few cubes accidentally get directed to the crusher.
- After crushed ice is dispensed, some water may drip from the chute.
- Sometimes a small mound of snow will form on the door in the ice chute. This condition is normal and usually occurs when you have dispensed crushed ice repeatedly. The snow will eventually evaporate.

## AUTOFILL\*

### To Use HANDS FREE AUTOFILL:

- Center container on Recess Dispenser Tray as far back as possible without activating paddle and remove hand from container
- Press **AUTOFILL**

### To Stop AUTOFILL

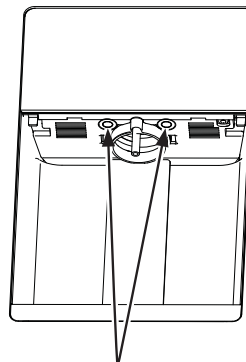
- Press ANY key, including **AutoFill**, to stop.

### Important Facts about AUTOFILL

- For optimum results, use a uniform container between 4-8" (10-20 cm) tall and 2-6" (5-15 cm) wide.
- Fill level and functionality may vary on containers taller than 8" (20 cm) or wider than 6" (15 cm).
- Container volumes may vary. If "ERROR" message is given, try a different container.
- **AUTOFILL** will time out.
- Handles, straws, and garnishes on the rim of the container may cause overfilling or variation in fill volumes. If using powdered drink mix prior to **AUTOFILL** may result in reduced performance.

\*Select models only

- Splashing may occur depending on the location of the container, water flow rate, container shape, and ice cubes.
- Keep sensors clean with a clean damp cloth, and do not spray liquid or cleaners directly on sensors
- **AUTOFILL** works best with household water pressure of 60 to 100 psi (414 to 689 kPa).
- Ice in container may affect fill volume. If issues are experienced, use less ice.



AutoFill Sensors

# Dispenser

## PRECISE FILL SECTION

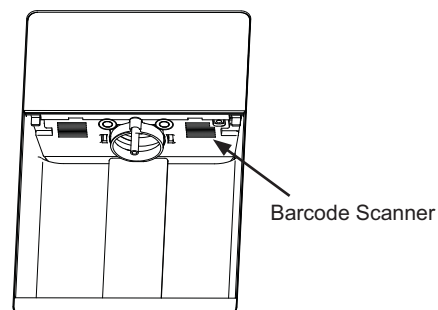
After setting volume from the Precise Fill Menu you can proceed in two methods:

1. Using Hands Free Precise Fill: With Container fully inserted into recess and stationary press the Dispense button from the Precise Fill Menu. The unit will dispense until the set volume or level sense limit is reached. See Autofill description (page 12) for description of compatible vessels.
2. Using Paddle-Depressing paddle with container will dispense water until the target is reached or the paddle is released. If the vessel is filled before the target volume is reached you can replace the vessel or empty the vessel and depress the paddle again to continue until selected amount is reached.

## Bar Code Scanner

### Important Facts about Barcode Scanning

- Splashing may occur depending on the location of the container, water flow rate, container shape and ice cubes.
- Keep the bar code scanner lens clean with a clean damp cloth, and do not spray liquid or cleaners directly on the lens.
- The optimal distance for the label scan will vary depending on label type, size and ambient light.



## WiFi (on some models) (for customers in the United States, its territories, and Canada)

If your refrigerator has a **Connected Appliance Information** label, then it can be connected to your WiFi network, allowing it to communicate with your mobile device for remote monitoring, control and notifications.

Please visit [GEAppliances.com/connect](http://GEAppliances.com/connect) to learn more about connected appliance features and learn what connected appliance apps work with your mobile device.

## REGULATORY INFORMATION

### FCC/IC Compliance Statement:

This device complies with Part 15 of the FCC Rules. Operation is subject to the following two conditions:

1. This device may not cause harmful interference, and
2. This device must accept any interference received, including interference that may cause undesired operation.

**NOTICE:** Changes or modifications to this unit not expressly approved by the manufacturer could void the user's authority to operate the equipment.

This device complies with Innovation, Science and Economic Development Canada's license-exempt RSSs. Operation is subject to the following two conditions:

- (1) This device may not cause interference; and
- (2) This device must accept any interference, including interference that may cause undesired operation of the device.

## Demand Response (some models)

---

This Product has WiFi capability and requires Internet connectivity and a wireless router to enable interconnection with an Energy Management System, and/or with other external devices, systems or applications.

### What is Demand Response?

Some utilities vary their electricity rates based on the time of day. Some utilities offer Demand Response programs to reduce energy usage during certain times of the day. Some utilities may do both things. This refrigerator has a Demand Response feature to help control energy usage.

### Using Demand Response without a Utility Program

The Demand Response feature allows the user to shift high energy features, like defrost, for a 4-hour window. This window corresponds to the average peak energy usage. This feature is enabled or disabled with the SmartHQ™ and requires the SmartHQ™ to operate. It does not depend on the local utility, or whether it varies the electricity rates.

### Demand Response with your Utility

If your utility has a compatible Demand Response program, and you are signed up with the utility, this refrigerator can modify its energy usage based on commands received from the utility. The SmartHQ™ can be used to override the Demand Response program, if desired. Please note that there are many different Demand Response programs, and many are not compatible with kitchen appliances. Please check with your local utility.

The demand response level is displayed in the mobile app. Delay appliance load mode (DAL) reduces power consumption by delaying defrost and ice production for 4 hours. Temporary appliance load reduction (TALR) reduces the power consumption by delaying defrost, ice production, and stopping cooling for 10 minutes.

Estimated energy consumption in Watt-hour(Wh) is reported in the mobile app.

### Installing Demand Response

Install the SmartHQ™ per the instructions on the previous page. Select the Demand Response page, and choose from the available Demand Response options. The app provides more information on the operation of each Demand Response option.

### Demand Response Communication Protocols

This refrigerator uses the following IETF open standard protocols for the WiFi communication. Consult the online user manual for the latest protocol updates:

- <https://mqtt.org/mqtt-specification/>
- <http://docs.oasis-open.org/mqtt/mqtt/v3.1.1/os/mqtt-v3.1.1-os.html>

GEA API for demand response:

- Write demand respond status (Inactive, DAL, and TALR)
- Get demand response status (Inactive, DAL, TALR, or Delay Defrost)
- Get estimated energy consumption in Watt-hour.
- Get event for "Door Open"
- Get event for "High temperature alert"
- Write demand response (DAL or TALR) start time and duration time period.
- Get demand response (DAL or TALR) start time and duration time period.
- Delete demand response (DAL or TALR) schedule.

# XWFE Water Filter

## Water Filter Cartridge

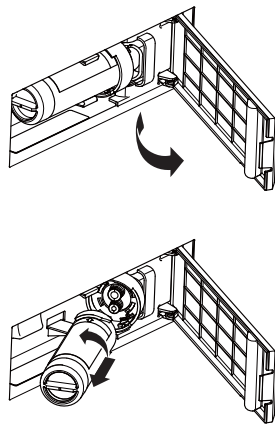
The water filter cartridge is located in the left-hand refrigerator door behind the rectangular access panel.

## When to Replace the Filter Cartridge

The **Replace Water Filter** message on the control panel will illuminate when the water filter cartridge needs to be replaced soon. The **Water Filter Expired** message will illuminate when the water filter cartridge needs to be replaced. The water filter can be replaced earlier if the flow of water to the dispenser or icemaker decreases. Once either message is illuminated, dispensing water will show **Confirm Filter Change**; do not confirm until the water filter is replaced

## REMOVING THE FILTER

If you are replacing the filter, first remove the previous one by gently grasping the filter and slowly turning it to the left, about a ¼ turn. The filter should automatically release itself when you have rotated it far enough to the left. A small amount of water may drip down.



### CAUTION

If air has been trapped in the system, the filter cartridge may be ejected as it is removed. Use caution when removing.

## FILTER BYPASS PLUG

To reduce the risk of property damage due to water leakage, you **MUST** use the filter bypass plug when a replacement filter cartridge is not available. Some models do not come equipped with the filter bypass plug. To obtain a free bypass plug, call 833.4BODEWELL (833.426.3393) and request WR17X33825 filter bypass plug. In Canada, call 800.561.3344. The dispenser and icemaker will not operate without either the filter or bypass plug installed. The bypass plug is installed in the same way as a filter cartridge.

### WARNING

To reduce the risk associated with choking, do not allow children under 3 years of age to have access to small parts during the installation of this product. The disposable filter cartridge should be replaced every 6 months at the rated capacity, or sooner if a noticeable reduction in flow rate occurs.

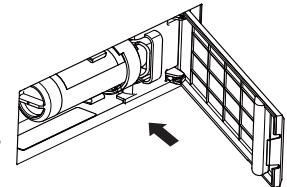
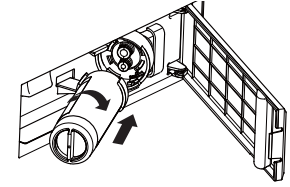
For the maximum benefit of your filtration system, GE Appliances recommends the use of GE Appliances-branded filters only. Using GE Appliances-branded filters in GE Appliances and Hotpoint® refrigerators provides optimal performance and reliability. GE Appliances filters meet rigorous industry NSF standards for safety and quality that are important for products that are filtering your water. GE Appliances has not qualified non-GE Appliances-branded filters for use in GE Appliances and Hotpoint refrigerators and there is no assurance that non-GE Appliances-branded filters meet GE Appliances standards for quality, performance and reliability.

If you have questions, or to order additional filter cartridges, visit our website at [gewaterfilters.com](http://gewaterfilters.com) or call **GE Appliances Parts and Accessories, 877.959.8688**.

Customers in Canada should consult the yellow pages for the nearest Camco Service Center.

## INSTALLING THE FILTER IN A BOTTOM FREEZER REFRIGERATOR

1. Open the filter cartridge housing by pulling the door open.
2. Line up the ports on the filter with the ports on the filter cartridge holder, and gently insert the filter.
3. Slowly turn the filter to the right until it stops. **DO NOT OVERTIGHTEN**. As you turn the filter, it will automatically adjust itself into position. The filter will move about a ¼ turn or 90 degrees, until the filter cannot be turned, and the label faces outward.
4. Slowly push the filter up into the clips.
5. Close the filter cartridge housing by gently pushing the door closed until the tabs lock into place.
6. Run water from the dispenser for 2 gallons or approximately 5 minutes to clear the system. Water may spurt out and air bubbles may be visible during this process. If water is not flowing, check to make sure the filter has been fully rotated to the right.
7. When dispensing water, press the button underneath the **Confirm Filter Change** message. If replacing the water filter before the message appeared, press the Settings (⚙️) button until "Icemaker" is highlighted, then hold down the Water and Ice buttons simultaneously for 3 seconds.



## Application Guidelines/Water Supply

Service Flow	0.5 gpm (1.89 lpm)
Water Supply	Potable Water
Water Pressure	25-120 psi (172-827 kPa)
Water Temperature	33°F-100°F (0.6°C-38°C)
Capacity	170 gallons (643.5 liters)

Sign-up for **TEXT REMINDERS** by texting **REPLACE** to **70543**.

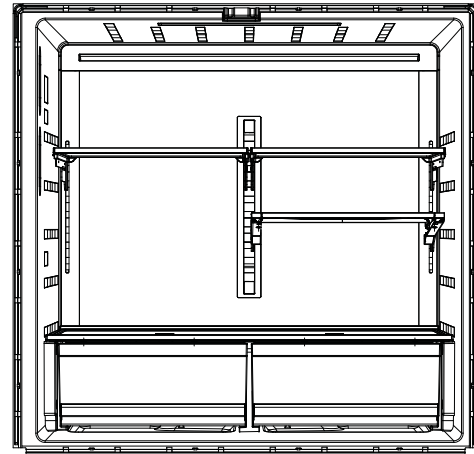
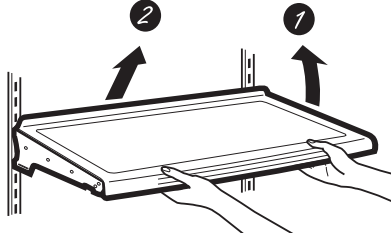
# Refrigerator Storage Options

## Rearranging the Shelves

Shelves in the refrigerator compartment are adjustable.

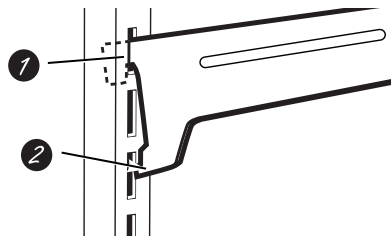
**To remove:**

- 1 Remove all items from the shelf.
- 2 Tilt the shelf up at the front.
- 3 Lift the shelf up at the back and bring the shelf out.



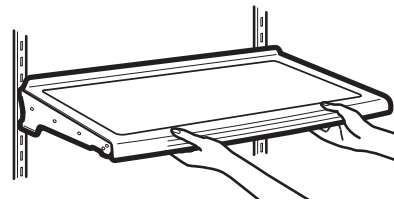
**To replace:**

- 1 While tilting the shelf up, insert the top hook at the back of the shelf in a slot on the track.
- 2 Lower the front of the shelf until the bottom of the shelf locks into place.



## Spillproof Shelves

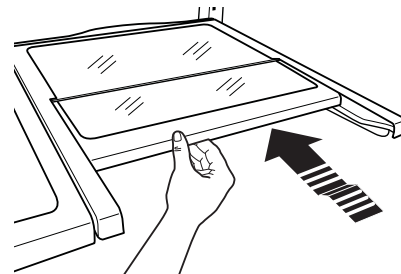
Spillproof shelves have special edges to help prevent spills from dripping to lower shelves.



## Quick Space Shelf

This shelf splits in half and slides under itself for storage of tall items on the shelf below.

This shelf can be removed and replaced or relocated (just like spillproof shelves).

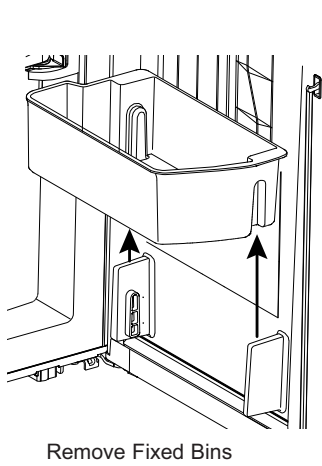


# Refrigerator Storage Options

## Right Door Bins

**FIXED BINS** can easily be carried from refrigerator to work area.

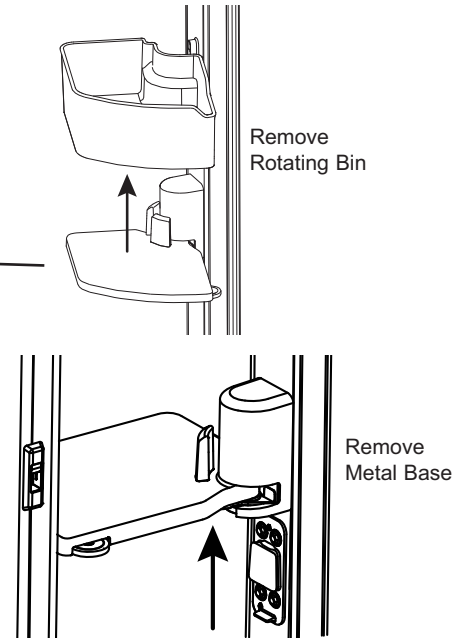
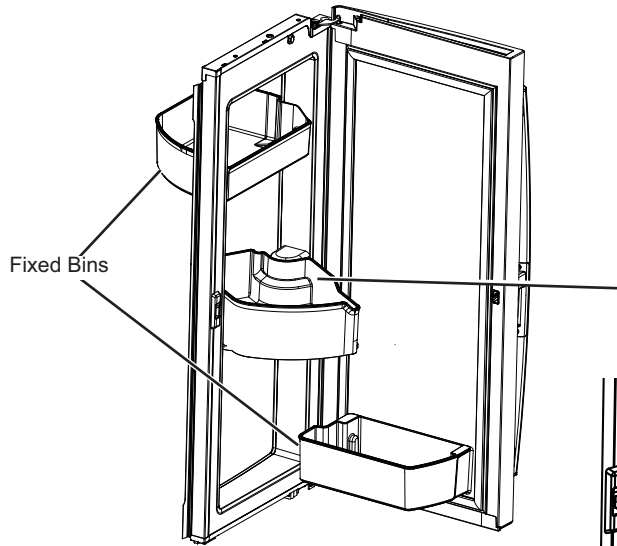
**To remove:** Lift bin straight up, then pull out.



**ROTATING BIN:**

**To remove:** Rotate bin outward then lift straight up. To remove Place hand under metal base and lift up.

**To remove Metal Base:** Place hand under metal base and lift up.

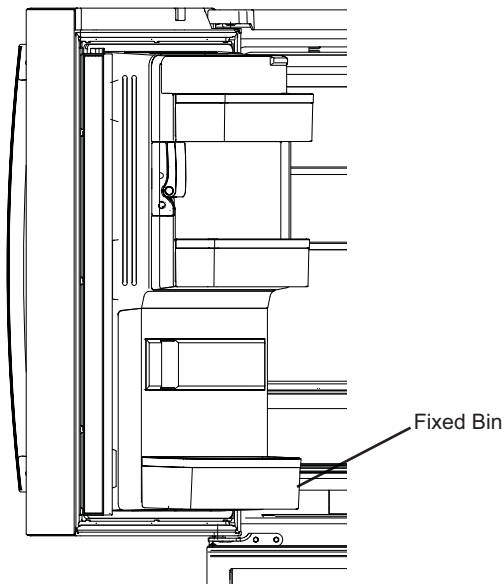


## Left Door Bins

**FIXED BIN**

**To remove:** Lift the bin straight up, then pull out.

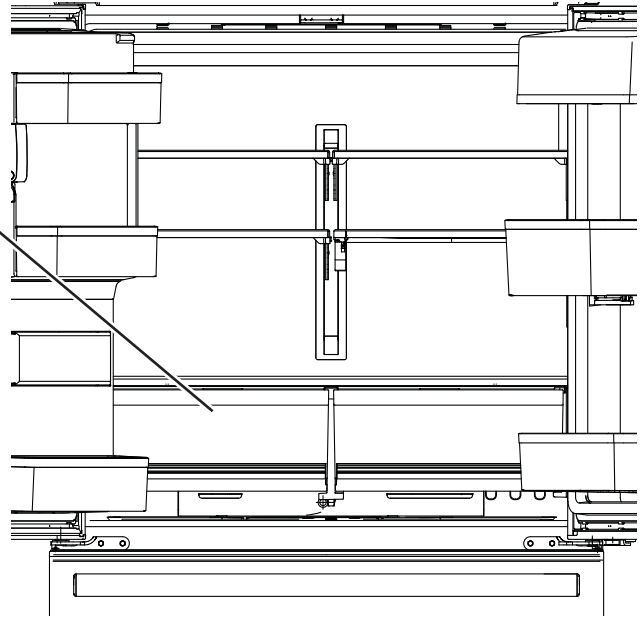
The ice maker door bins are not interchangeable, note the location upon removal and replace the bin in its proper location.



## Climate Zone

Keep fruits and vegetables organized in separate compartments for easy access.

Excess water that may accumulate in the bottom of the drawers or under the drawers should be wiped dry.



## Convertible Drawer

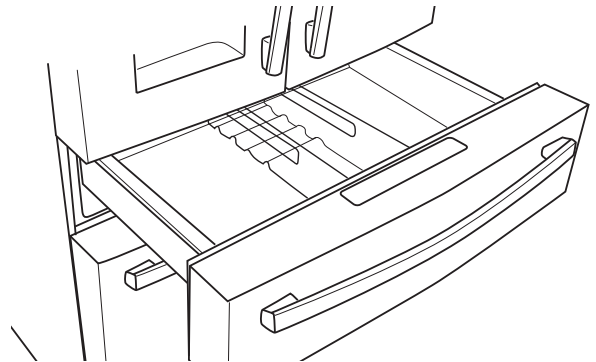
### How to Remove and Replace Drawer Organizer

**To remove:**

1. Pull the drawer out to the stop position.
2. Slightly raise the organizer, then rotate to remove.

**To replace:**

1. Place the back of the divider on the rear wall of the drawer.
2. Rotate the organizer into the desired position.



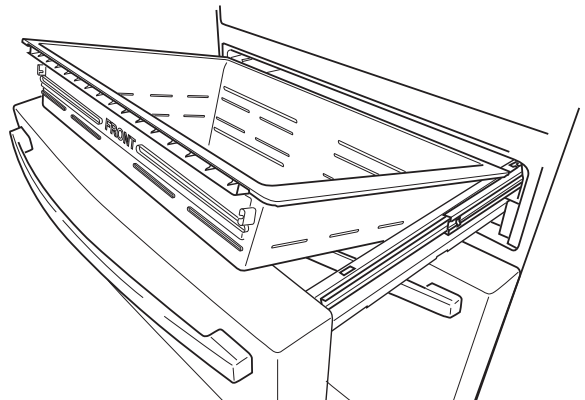
### How to Remove and Replace Drawer

**To remove:**

1. Pull the drawer out to the stop position.
2. Remove the convertible drawer basket by lifting while rotating the basket upward.

**To replace:**

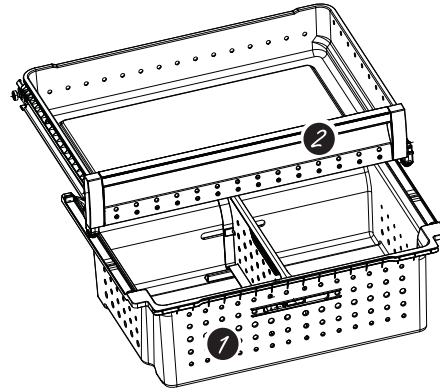
1. Place drawer back in first and rotate drawer front down to seat on slide.
2. Push the drawer in to closed position.  
Convertible drawer basket will be loose if re-installed backwards. Look for "FRONT" emboss to help with re-installation.



# Baskets, Drawers, and Bins

## Freezer Basket and Drawer

- 1 Basket.
- 2 Drawer



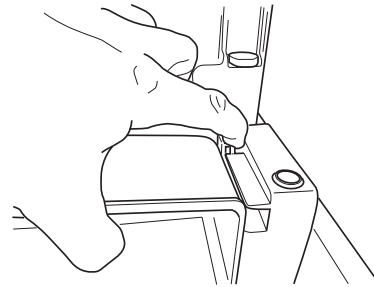
## Tilt-Out Bin in the Freezer

### To remove:

Press the tab on the right side bracket to remove the freezer drawer bin.

### To replace:

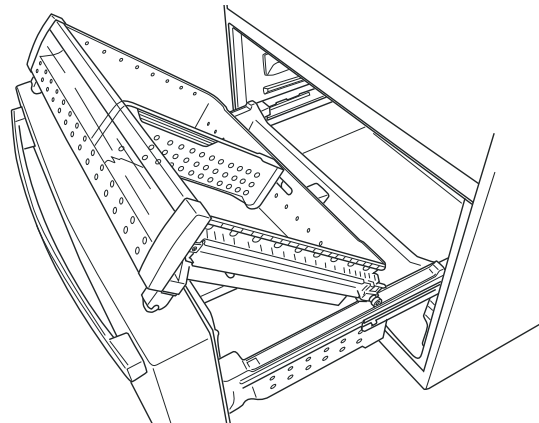
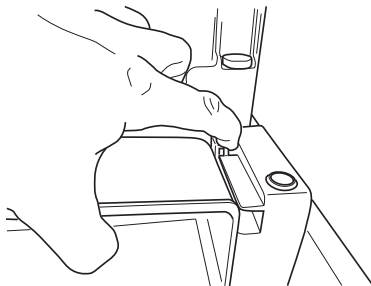
Slide bin into location until it locks into place.



## Basket Removal

### To remove:

1. Pull the top freezer drawer basket forward until it is out of the track in the freezer compartment. Lift, while rotating the basket upward to remove.
2. Press the tab on the right side bracket to remove the freezer door bin.



To replace, reverse removal steps.

3. Lift the bottom freezer drawer basket slightly back, then up and out of the drawer.

# Automatic Icemaker

A newly installed refrigerator may take 12 to 24 hours to begin making ice.

**⚠ WARNING** Connect to potable water supply only.

A cold water supply is required for automatic icemaker operation. The water pressure must be between 40 and 120 psi (275-827 kilopascals).

## Automatic Ice maker

The ice maker will produce seven cubes per cycle approximately 112-140 cubes in a 12-hour period, depending on freezer compartment temperature, room temperature, number of door openings and other use conditions.

The ice maker will fill with water when it cools to 15°F (-10°C). A newly installed refrigerator may take 12 to 24 hours to begin making ice cubes.

If the refrigerator is operated before the water line connection is made to the unit or if the water supply to an operating refrigerator is turned off, make sure that the ice maker is turned off. Once the water has been connected to the refrigerator, the ice maker may be turned on. See the table below for details.

You may hear a buzzing sound each time the ice maker fills with water.

To fill the bucket to maximum capacity after installation,

dispense 3-4 cubes at 12 hours and 18 hours. Allow 1-2 days for the bucket to completely fill with ice.

Throw away the first few batches of ice to allow the water line to clear.

Be sure nothing interferes with the sweep of the feeler arm.

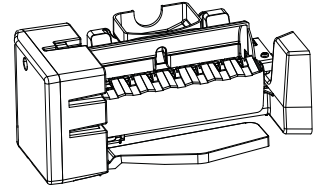
When the bin fills to the level of the feeler arm, the ice maker will stop producing ice. It is normal for several cubes to be joined together.

If ice is not used frequently, old ice cubes will become cloudy, taste stale and shrink.

**NOTE:** In homes with lower-than-average water pressure, you may hear the ice maker cycle multiple times when making one batch of ice.

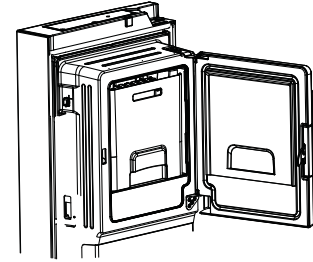
**⚠ CAUTION** To minimize the risk of personal injury, avoid contact with the moving parts of the ejector mechanism, or with the heating element that releases the cubes. Do not place fingers or hands on the automatic ice making mechanism while the refrigerator is plugged in.

To turn the icemaker **ON/OFF**, use the **Settings** button to navigate to the Icemaker selection. See **CONTROLS**, page 10.



## Ice Bucket and Dispenser

- Open the ice box door on inside of the left door.
- Pull up and out on the ice bucket in the left hand door to remove it from the compartment.
- To replace the ice bucket, set it on the guide brackets and push until the ice bucket seats properly.



## Sabbath Mode OU (Orthodox Union) and CRC (Central Rabbinical Congress)

This refrigerator offers an OU and CRC Sabbath mode that complies with standards set forth by Orthodox Union, the Central Rabbinical Congress, and Halacha Tech, and is 100% certified to the highest halacha standards. In order to enable the OU and CRC Sabbath mode there are two methods: a manual entry and an automatic Sabbath Mode.

The first (manual) method can be activated using the instructions in the Fridge Controls Section (Page 7). Sabbath mode will exit automatically after 96 hours.

The second (automatic) method uses a separate Shabbos Keeper for Refrigerators that must be connected to the refrigerator. The Shabbos Keeper can be purchased from [zmantechnologies.com](http://zmantechnologies.com) or [geappliances.com](http://geappliances.com). The only way to enable the automatic OU and CRC Sabbath mode is

with the purchase of the Shabbos Keeper for Refrigerators. The Shabbos Keeper connects to your refrigerator to automatically enable Shabbos compatible modes each week and before every holiday. The appropriate mode will automatically activate based on the Jewish calendar date for your location. When the Shabbos Keeper is properly connected to the refrigerator, the display will show a Fixed Screen featuring an Exit Sabbath mode Button.



POWERED BY:



# Care and Cleaning

## Cleaning the Outside

**FINGERPRINT RESISTANT STAINLESS STEEL\***, - Outside surfaces, door handles, and trim

**⚠ DO NOT use Stainless Steel cleaners on the door surfaces. ⚠**

**IMPORTANT:** The use of incorrect products may damage the outer finish of Fingerprint Resistant Stainless and Black Stainless models. Please follow these instructions and use only the appropriate items below to clean your appliance surfaces.

- Clean interior/exterior surfaces with warm water, mild soap or detergent, and a soft or microfiber cloth to avoid damage.
- Wipe the appliance surface dry with a soft clean cloth or microfiber towel to avoid streaking or water spotting.

DO USE	DO NOT USE								
Soft, clean cloth or sponge Microfiber cloth	Abrasive cloths, paper towels, scrubbing sponges (with or without soap), scouring or steel wool pads								
Mild detergent mixed with warm water	<table border="0"> <tr> <td>Abrasive powders, liquids, or sprays</td> <td>Oven cleaners</td> </tr> <tr> <td>Window sprays, ammonia, or bleach</td> <td>Alkaline cleaners</td> </tr> <tr> <td>Citrus or plant oil-based cleaners</td> <td>Stainless steel cleaners</td> </tr> <tr> <td>Acidic or vinegar-based cleaners</td> <td></td> </tr> </table>	Abrasive powders, liquids, or sprays	Oven cleaners	Window sprays, ammonia, or bleach	Alkaline cleaners	Citrus or plant oil-based cleaners	Stainless steel cleaners	Acidic or vinegar-based cleaners	
Abrasive powders, liquids, or sprays	Oven cleaners								
Window sprays, ammonia, or bleach	Alkaline cleaners								
Citrus or plant oil-based cleaners	Stainless steel cleaners								
Acidic or vinegar-based cleaners									

\*Easily wipe away smudges and fingerprints.

## Cleaning the Inside

**To help prevent odors**, leave an open box of baking soda in the refrigerator and freezer compartments.

### Unplug the refrigerator before cleaning.

If this is not practical, wring excess moisture out of sponge or cloth when cleaning around switches, lights or controls.

Use an appliance wax polish on the inside surface between the doors.

Use warm water and baking soda solution—about a tablespoon (15 ml) of baking soda to a quart (1 liter) of water. This both cleans and neutralizes odors. Rinse and wipe dry.

**To clean the inside metal panel\***, open the outer door using the Door in Door Latch. Clean the panel with a mild detergent and then wipe dry with a soft cloth. Do not use any stainless steel cleaner on the panel as it may damage the surrounding plastic.

**⚠ CAUTION** Do not clean glass shelves or covers with warm water when they are cold. Glass shelves and covers may break if exposed to sudden temperature changes or impact such as bumping or dropping. Tempered glass is designed to shatter into many small pieces if it breaks.

Do not wash any plastic refrigerator parts in the dishwasher.

## Care and Cleaning

---

### Behind the Refrigerator

Be careful when moving the refrigerator away from the wall. All types of floor coverings can be damaged, particularly cushioned coverings and those with embossed surfaces.

Raise the leveling legs located at the bottom front of the refrigerator.

Pull the refrigerator straight out and return it to position by pushing it straight in. Moving the refrigerator in a side direction may result in damage to the floor covering or refrigerator.

Lower the leveling legs until they touch the floor.

**⚠ WARNING**  **ELECTRICAL SHOCK HAZARD**

**When pushing the refrigerator back, make sure you don't roll over the power cord or water supply line.**

---

### Shutting Down and Restarting your Refrigerator for Prolonged Periods

For long vacations or absences, remove food and unplug the refrigerator. Clean the interior with a baking soda solution of one tablespoon (15 ml) of baking soda to one quart (1 liter) of water. Leave the doors open.

If the temperature can drop below freezing, have a qualified service technician drain the water supply system to prevent serious property damage due to flooding.

1. Turn refrigerator off (see CONTROLS, page 10) or unplug the refrigerator.
2. Empty ice bucket
3. Turn water supply off

**If you cut the water supply off, turn off the ice maker.**

Upon returning from vacation:

1. Replace the water filter.
  2. Run 2 gallons (7.57 liters) of water through the cold water dispenser (about 5 minutes) to flush the system.
- 

### Preparing to Move

Secure all loose items such as shelves and drawers by taping them securely in place to prevent damage.

When using a hand truck to move the refrigerator, do not rest the front or back of the refrigerator against the hand truck. This could damage the refrigerator.

Handle only from the sides of the refrigerator.

Be sure the refrigerator stays in an upright position during moving.

---

## Replacing the Lights

---

### Refrigerator Lights (LEDs)

Appearance may vary by model.

There is LED lighting in the refrigerator compartment, the bottom of the left-hand refrigerator door, and the bottom of the convertible drawer.

An authorized technician will need to replace the LED light.

If this assembly needs to be replaced, visit **GEAppliances.com/service** or call 833.4BODEWELL (833.426.3393). In Canada, visit **GEAppliances.ca/service** or call 800.561.3344.

# Installation Instructions

# Refrigerator

Questions? Call 833.4BODEWELL (833.426.3393) or visit our Website at: [GEAppliances.com](http://GEAppliances.com)  
 In Canada, call 1.800.561.3344 or visit our Website at: [GEAppliances.ca](http://GEAppliances.ca)

## BEFORE YOU BEGIN

Read these instructions completely and carefully.

**⚠ WARNING**  **Tip Over Hazard.**

Models PJD, PJE, PXD, CJE, and CXE are top heavy especially with doors open. These models have an anti-tip bracket packaged with your refrigerator which must be installed and properly secured to the home's structure to prevent tipping forward, which could result in death or serious injury. Read and follow the entire installation instructions for installing the anti-tip floor bracket provided with your refrigerator.

**NOTE:** If you have model PJD, PJE, PXD, CJE, or CXE and did not receive an anti-tip bracket with your purchase, call 833.4BODEWELL (833.426.3393) to receive one at no cost (In Canada, call 1.800.561.3344.) For installation instructions of the bracket, visit: [www.GEAppliances.com](http://www.GEAppliances.com) (In Canada, [www.GEAppliances.ca](http://www.GEAppliances.ca).)

- **IMPORTANT** — Observe all governing codes and ordinances. Save these instructions for local inspector's use.
- **Note to Installer** – Be sure to leave these instructions with the Consumer.
- **Note to Consumer** – Keep these instructions for future reference.
- **Skill level** – Installation of this appliance requires basic mechanical skills.

## IMPORTANT — (cont.)

- **Completion time** – Refrigerator Installation can vary. Water Line Installation 30 minutes.
- Proper installation is the responsibility of the installer.
- Product failure due to improper installation is not covered under the Warranty.

## PREPARATION

### MOVING THE REFRIGERATOR INDOORS

If the refrigerator will not fit through a doorway, the refrigerator doors and freezer drawer can be removed.

- To remove the refrigerator doors, see the Installing the Refrigerator section.
- To remove the freezer drawer, see the Removing the Freezer Drawer section.

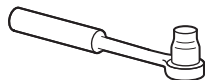
### WATER SUPPLY TO THE ICEMAKER AND DISPENSER

If the refrigerator has an ice maker, it will have to be connected to a cold water line. A GE Appliances water supply kit (containing tubing, shutoff valve, fittings and instructions) is available at extra cost from your dealer, by visiting our website at [GEAppliances.com](http://GEAppliances.com) (in Canada at [GEAppliances.ca](http://GEAppliances.ca)) or from Parts and Accessories, 833.426.3393 (in Canada 1.800.661.1616).

## TOOLS YOU MAY NEED



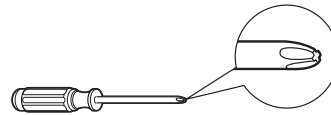
Adjustable Wrench



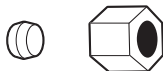
5/16" Socket Ratchet/Driver



1/8", 3/32", 1/4" & 5/32" Allen (Hex) Wrenches



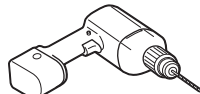
Phillips-Head Screwdriver



1/4" Outer Diameter Compression Nut and Ferrule (sleeve)



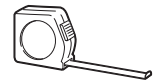
Pencil



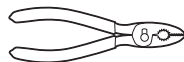
1/8" Drill Bit and Electric or Hand Drill



1/4" Nut Driver



Tape Measure



Pliers



Flat-Head Screwdriver



Torx T20, T25



Level

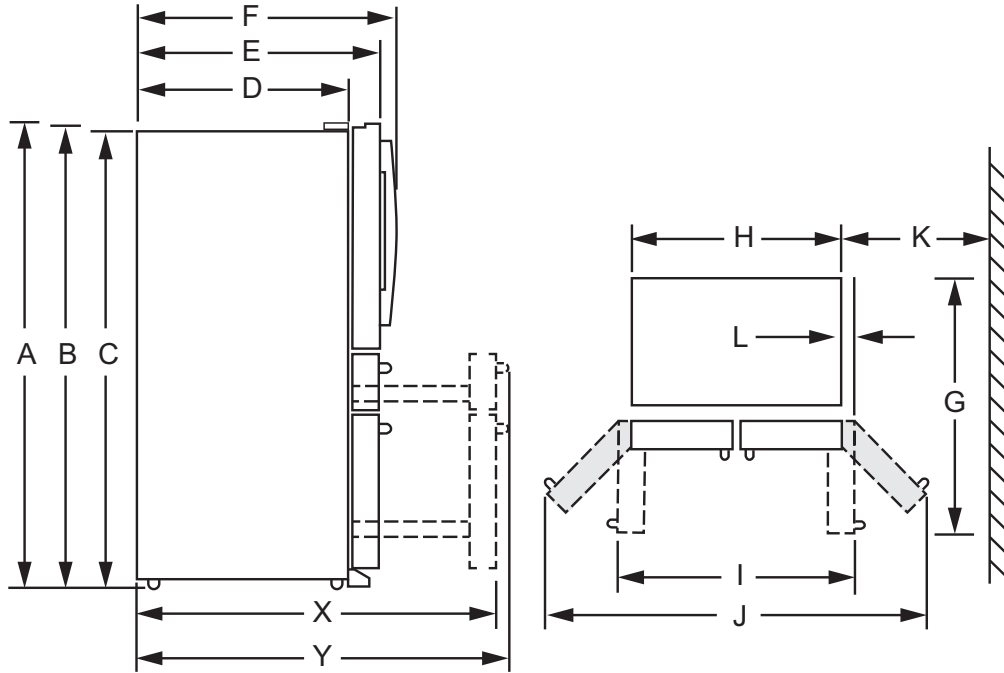
# Installation Instructions

## DIMENSIONS

**NOTE:** It is recommended that the floor be protected with a plastic covering throughout the installation process.

**NOTE:** Not recommended for installation on carpeted flooring.

**NOTE:** Power cord length is 68" (1727 mm)



	PVD28		PXD22	
	Inches	mm	Inches	mm
Overall Height to Top of the Door (A)	70	1778	70	1778
Height to Top of Hinge Cover (B)	69 7/8	1775	69 7/8	1775
Height to Top of Case (C)	68 5/8	1743	68 5/8	1743
Case Depth without Door (D)	29 1/2	749	24 1/2	622
Case Depth with Door, less Door Handle (E)	34 1/4	870	29 1/4	743
Case Depth with Door and Handle (F)	36 3/4	933	31 3/4	806
Depth with Refrigerator Door Open 90° (G)	48 3/8	1229	43 3/8"	1102
Width (H)	35 3/4	908	35 3/4	908
Width with Door Open 90°, with Handle (I)	44 3/8	1127	44 3/8	1127
Width with Doors Fully Open (J)	63	1600	63	1600
Min. Distance Between Case and Wall to Allow Doors to Fully Open (K)	13 5/8	346	13 5/8	346
Distance Between Case and Door, with Door Open 90° (L)	4 3/8	111	4 3/8	111
Depth with Freezer Door Completely Open, without Handle (X)	53 1/2	1359	46	1168
Depth with Freezer Door Completely Open, with Handle (Y)	56	1422	48 1/2	1232

# Installation Instructions

## MOVING THE REFRIGERATOR

- Using the chart below determine if the width of your passageway can accommodate the depth of the refrigerator. Ensure you have clearance to prevent damage to the refrigerator before safely moving it to the final location.
- If passageways are large enough to accommodate the refrigerator without removing the handles skip to Step 6. Leave tape, film and all packaging on doors until the refrigerator is in the final location.
- **NOTE: Use a padded hand truck or moving straps to move this refrigerator. Place the refrigerator on the hand truck with a side against the truck. We strongly recommend that two people move and complete this installation.**

If your opening is less than the following dimensions, remove door parts in order until dimension is less than the opening.

	PVD28	PXD22
Remove Handles	38" (965 mm)	33" (838 mm)
Remove Doors	36" (914 mm)	32" (813 mm)
Remove Center Hinge	34" (864 mm)	29" (737 mm)

## REFRIGERATOR LOCATION

- Do not install the refrigerator where the temperature will go below 60°F (16°C) because it will not run often enough to maintain proper temperatures.
- Do not install the refrigerator where the temperature will go above 100°F (37°C) because it will not perform properly.
- Do not install the refrigerator in a location exposed to water (rain, etc.) or direct sunlight.
- Install it on a floor strong enough to support it fully loaded.

## CLEARANCES

Allow the following clearances for ease of installation, proper air circulation and plumbing and electrical connections.

Sides	1/8" (3 mm)
Top	1" (25 mm)
Back	2" (50 mm)

## REMOVING THE REFRIGERATOR DOORS

- **IMPORTANT NOTE:** If passageways are less than the depth of your refrigerator, the refrigerator doors and handles can easily be scratched and damaged. The doors can be removed to allow the refrigerator to be safely moved indoors. If passageways are less than the depth of your refrigerator and the handles are installed, start by reversing Step 1 to remove the handles.
- If it is not necessary to remove handles or doors, skip to Step 13. Leave tape and all packaging on doors until the refrigerator is in the final location.
- **NOTE:** Use a padded hand truck to move this refrigerator. Place the refrigerator on the hand truck with a side against the truck. We strongly recommend that TWO PEOPLE move and complete this installation.

# Installation Instructions

## INSTALLING THE REFRIGERATOR

### 1 REFRIGERATOR AND FREEZER HANDLE INSTALLATION

**Before You Start....**

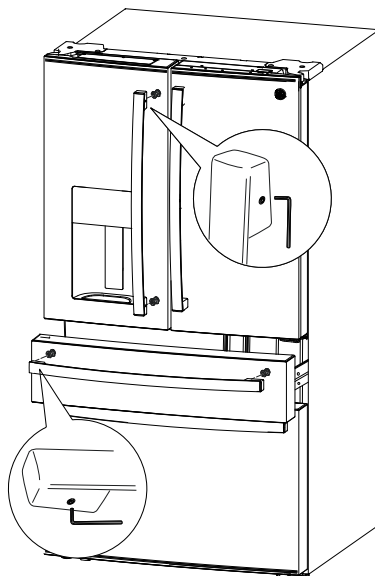
- To avoid injury, wear closed-toe shoes when installing the handles.
- While installing the handle, grasp the handle firmly to ensure it does not fall or scratch the appliance's finish.
- **IMPORTANT:** To make sure the handles are accurately installed, please review the instructions and graphics before you begin installation.
- **IMPORTANT:** Do not use power tools to tighten set screws.

**Tools Provided:**

- 1/8" hex key

Handle appearance may vary based on model; however, the installation process is the same.

1. Remove any protective film from the door or drawer fronts before installing handles (if applicable).
2. Remove handle from packaging and locate the provided 1/8" hex key.
3. Place the handle over the mounting fasteners until it is flush against the surface of the door.
4. Tighten both set screws in the handle end caps by turning the 1/8" hex key clockwise until the handle will not hang loose or fall from its mounting. Do not fully tighten yet.
5. **IMPORTANT:** Hold the handle firmly against the door, make sure there are no gaps between the handle end caps and the door, and fully tighten the set screws.



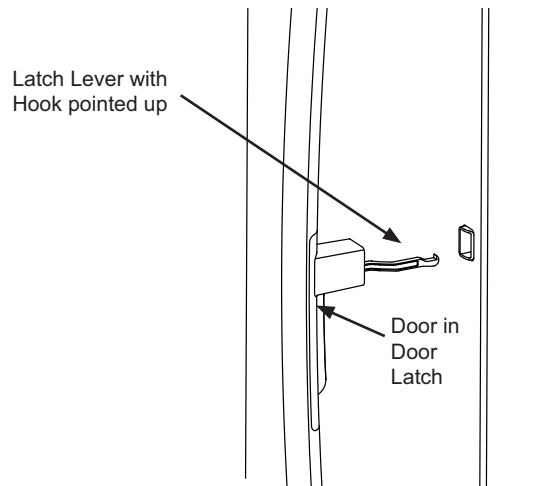
To remove the handles, reverse the installation process.

### 2 REFRIGERATOR HANDLE INSTALLATION FOR DOOR-IN-DOOR MODELS ONLY

Handle appearance may vary based on model; however, the installation process is the same.

1. Remove any protective film from the door or drawer fronts before installing handles (if applicable). **Do not remove the tape that secures the inner door to the outer door until after the handle is installed.**
2. Remove handle from packaging and locate the provided 1/8" hex key.
3. Align the lever with the opening on the outer door. Make sure the hook is pointed up.
4. Insert the latch lever into the opening and place the handle over the mounting fasteners until it is flush against the surface of the door.
5. Tighten both set screws in the handle end caps by turning the 1/8" hex key clockwise until the handle will not hang loose or fall from its mounting. Do not fully tighten yet.
6. **IMPORTANT:** Hold the handle firmly against the door, make sure there are no gaps between the handle end caps and the door, and fully tighten the set screws.

To remove the handles, reverse the installation process.



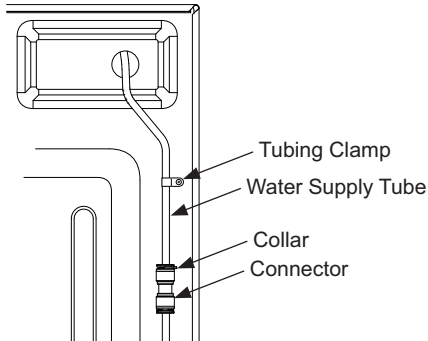
# Installation Instructions

## INSTALLING THE REFRIGERATOR (Cont.)

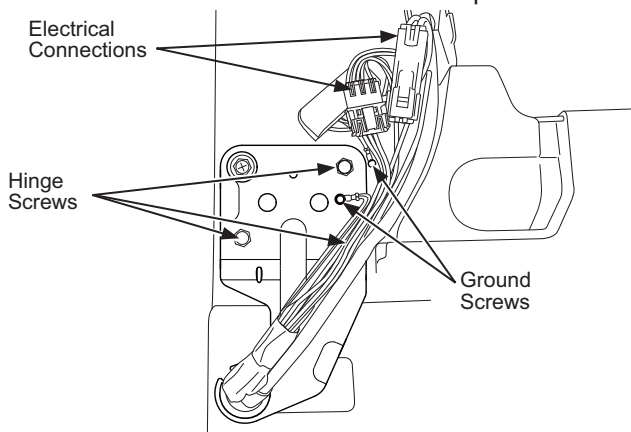
### 3 REMOVE THE LEFT-HAND DOOR (if necessary)

#### ▲WARNING

Follow all steps for removing and reinstalling the door. Failure to follow these instructions, leaving off parts, or overtightening screws, can lead to the door falling off and result in injury and property damage.



- Loosen the icemaker water supply tube.
  - Loosen and remove the tubing clamp which holds the water supply tube to the back of the refrigerator.
  - Remove the top black collar from water supply tube connector at the top right back of the refrigerator.
  - Press the white flange down and separate the water supply line from the connector.
- Remove the left hinge cover by removing 2 hinge cover screws with a Phillips head, 7mm hex, or T20 Torx driver and lifting from the left side. Disconnect electrical connectors and pull the water



- supply tube through the case.
- Securely tape the door shut with masking tape or have a second person support the door.
- Remove screws holding hinge with a 5/16" socket. Lift hinge from refrigerator and door.

### 3 REMOVE REFRIGERATOR DOORS (cont.)

For proper installation later, please follow these next steps carefully:

- Remove the tape keeping the door as straight as possible, then lift up to remove.

#### ▲CAUTION Lifting Hazard.

A single person lift could cause injury. Gain assistance when handling, moving, or lifting refrigerator doors.

### 4 REMOVE THE RIGHT-HAND DOOR (if necessary)

- Remove right hinge cover. (If necessary)
- Securely tape the door shut with masking tape or have a second person support the door.
- Remove screws holding hinge with a 5/16" socket. Lift hinge from refrigerator and door.

For proper installation later, please follow these next steps carefully:

- Remove the tape keeping the door as straight as possible, then lift up to remove.

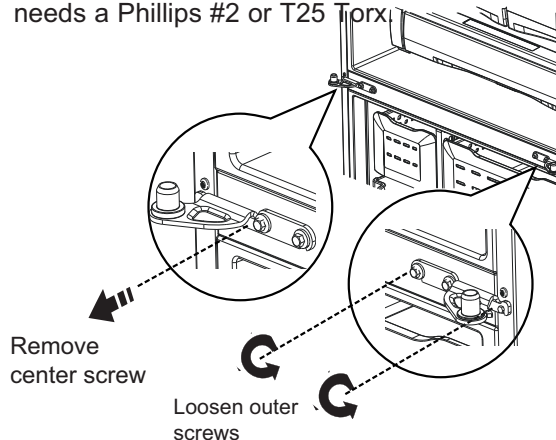
#### ▲CAUTION Lifting Hazard.

A single person lift could cause injury. Gain assistance when handling, moving, or lifting refrigerator doors.

To reassemble doors, reverse removal steps.

### 5 REMOVE CENTER HINGE (if necessary)

Remove screws that secure hinge to the cabinet. Inner screws need a 5/16" socket. Outer screw needs a Phillips #2 or T25 Torx.



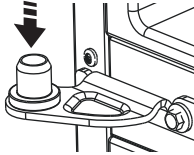
# Installation Instructions

## INSTALLING THE REFRIGERATOR (Cont.)

### 6 REINSTALLING THE LEFT-HAND AND RIGHT-HAND DOORS

**⚠ WARNING** Follow all steps for removing and reinstalling the door. Failure to follow these instructions, leaving off parts, or overtightening screws, can lead to the door falling off and result in injury and property damage.

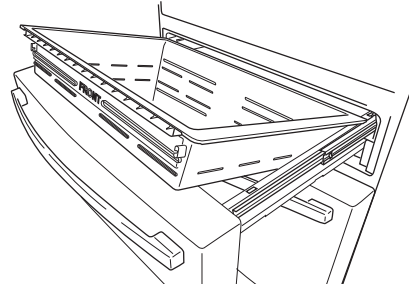
1. Reinstall center hinge first and torque the 1/4" screw to 65 in-lbs (7.34 N-m) and small screw to 25 in-lbs (2.82 N-m). Rotating the screw by 1/3 turn after it is flush with mating surface will achieve these torques.



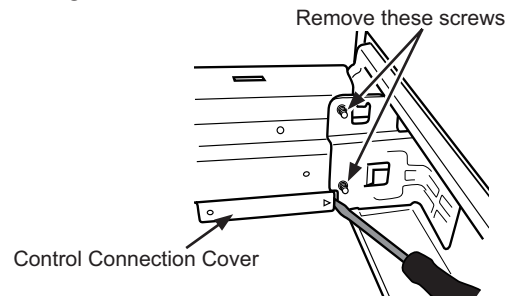
2. Lower the refrigerator door onto the center hinge.
3. **Securely tape the door shut with masking tape or have a second person support the door.**
4. Reinstallation is the reverse of the removal instructions.
5. Be sure to reinstall the ground wire and strain relief to the top hinge.
6. Reinstall hinge cover. **NOTE:** Ensure wires are not pinched or under screw bosses before tightening screws.

### 7 REMOVING CONVERTIBLE DRAWER

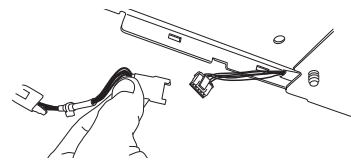
1. Remove the convertible drawer basket by lifting while rotating the basket upward.



2. Disconnect the control connection for the convertible drawer.
  - Using a flat-head screwdriver, remove cover over electric connectors on inside right of the drawer frame. The cover hooks through the drawer frame toward the inside of the refrigerator.



- Press the tab in the center of the connector to separate.



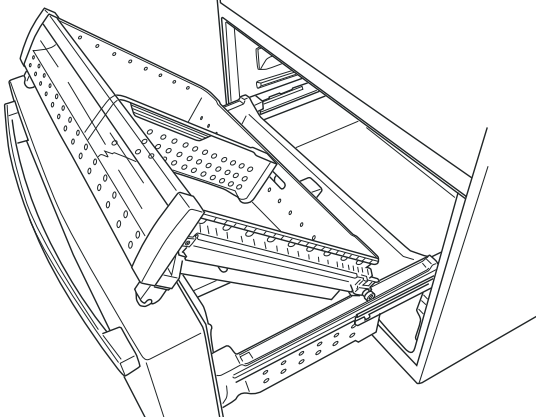
3. Remove 2 screws from each side of the frame with a 5/16" socket.
4. Remove door by lifting off hooks.

# Installation Instructions

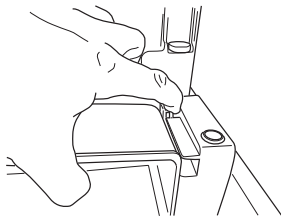
## INSTALLING THE REFRIGERATOR (Cont.)

### 8 REMOVE LOWER FREEZER BASKET

- Pull the top freezer drawer basket forward until it is out of the track in the freezer compartment. Lift, while rotating the basket upward to remove.



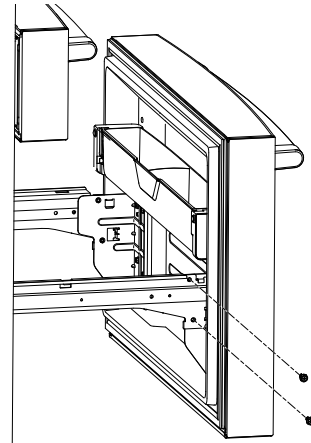
- Press the tab on the right side bracket to remove the freezer door bin.



- Pull the freezer drawer to full extension.
- Lift the bottom freezer drawer basket slightly back, then up and out of the drawer.

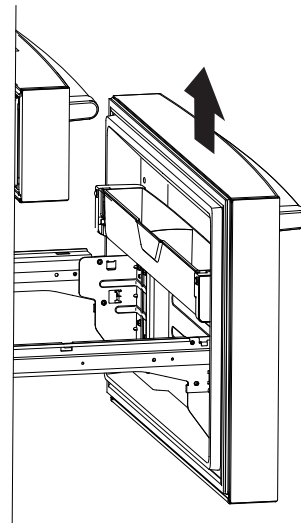
### 9 REMOVE THE FREEZER DRAWER

1. Pull the freezer drawer open to full extension.
2. Remove two screws from each side of the frame with a 5/16" socket.



**CAUTION** Lifting Hazard  
Freezer door is heavy Use both hands to secure the door before lifting.

3. Remove the door by lifting off hooks.

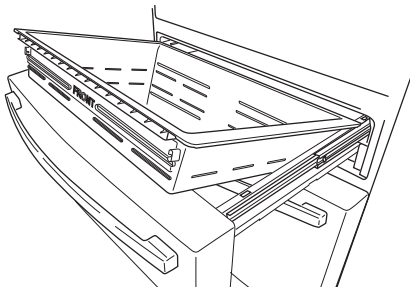


# Installation Instructions

## INSTALLING THE REFRIGERATOR (Cont.)

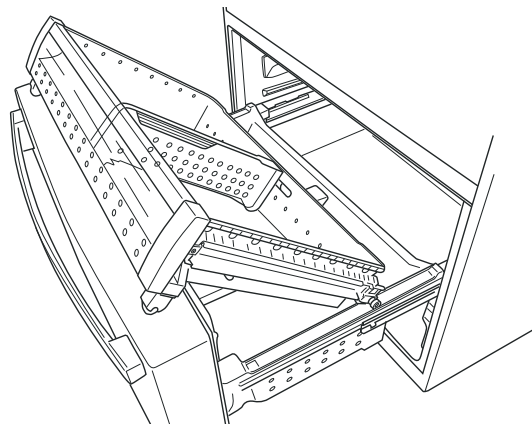
### 10 RE-INSTALL CONVERTIBLE DRAWER

To reassemble doors, reverse removal steps. Convertible drawer basket will be loose if re-installed backwards. Look for "FRONT" emboss to help with re-installation.



### 12 RE-INSTALL FREEZER BASKETS

1. Re-install lower freezer basket
2. Re-install top freezer drawer by placing the drawer wheels onto the top of the tracks on the side of the freezer walls. The front wheels on the freezer drawer should be on top of the bottom basket.



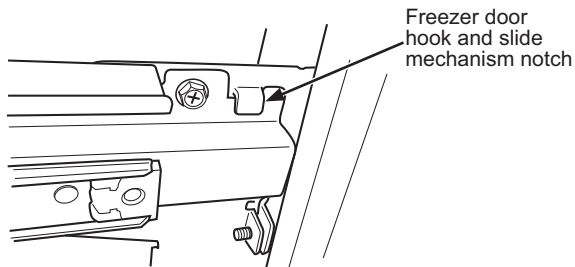
3. Check for smooth operation of baskets.

### 11 REPLACE FREEZER DRAWER

**⚠ CAUTION** Lifting Hazard

Freezer door is heavy Use both hands to secure the door before lifting.

1. Pull the lower basket slide mechanism to full extension with both hands.
2. Lift the freezer door and align the hooks with the notches on the slide mechanisms. NOTE: Place one side in first, then align the other side.



3. Replace the attachment screws and torque the screws to 65 in-lb (7.34 N-m).

# Installation Instructions

## INSTALLING THE REFRIGERATOR (Cont.)

### 13 CONNECTING THE REFRIGERATOR TO THE HOUSE WATER LINE

A cold water supply is required for automatic ice maker operation. If there is not a cold water supply, you will need to provide one. See Installing the Water Line section.

**NOTES:**

- Before making the connection to the refrigerator, be sure the refrigerator power cord is not plugged into the wall outlet.
- If your refrigerator does not have a water filter, we recommend installing one if your water supply has sand or particles that could clog the screen of the refrigerator's water valve. Install it in the water line near the refrigerator. If using SmartConnect™ Refrigerator Tubing Kit, you will need an additional tube (WX08X10002) to connect the filter. Do not cut plastic tube to install filter.
- Before connecting the water line to the house, purge the house line for at least 2 minutes.

- A** If you are using copper tubing, place a compression nut and ferrule (sleeve) onto the end of the tubing coming from the house cold water supply.

If you are using the SmartConnect™ tubing, the nuts are already assembled to the tubing.

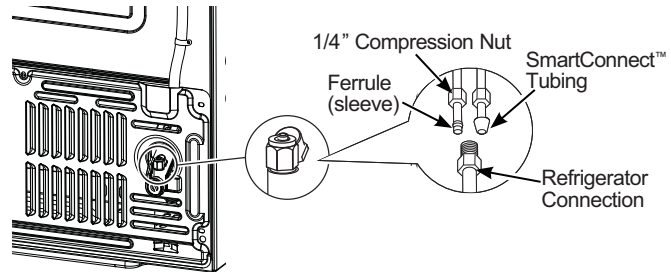
- B** If you are using copper tubing, insert the end of the tubing into the refrigerator connection, at the back of the refrigerator, as far as possible. While holding the tubing, tighten the fitting.

If you are using SmartConnect™ tubing, insert the molded end of the tubing into the refrigerator connection, at the back of the refrigerator, and tighten the compression nut until it is hand tight. Then tighten one additional turn with a wrench. Over tightening may cause leaks.

- C** Fasten the tubing into the clamp provided to hold it in position. You may need to pry open the clamp.

**⚠ WARNING** Connect to potable water supply only. A cold water supply is required for automatic icemaker operation. The water pressure must be between 40 and 120 psi (275-827 kilopascals)

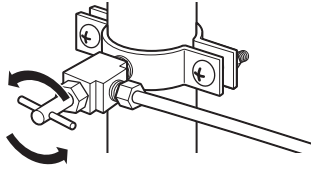
**⚠ WARNING**  **Electrical Shock Hazard.** Attach tubing clamp using existing hole only. DO NOT drill into the refrigerator.



# Installation Instructions

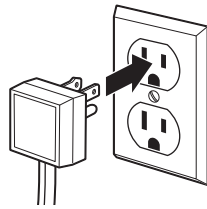
## INSTALLING THE REFRIGERATOR (Cont.)

### 14 TURN ON THE WATER SUPPLY



Turn the water on at the shutoff valve (house water supply) and check for any leaks.

### 15 PLUG IN THE REFRIGERATOR



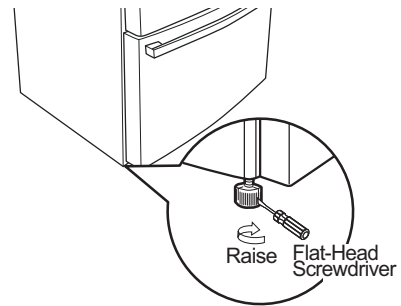
See the grounding information attached to the power cord.

### 16 LEVEL THE REFRIGERATOR

The leveling legs have 2 purposes:

1. Leveling legs adjust so the refrigerator is firmly positioned on the floor and does not wobble.
2. Leveling legs serve as a stabilizing brake to hold the refrigerator securely in position during operation and cleaning. The leveling legs also prevent the refrigerator from tipping.

- Turn the leveling legs clockwise to raise the refrigerator, counterclockwise to lower it.



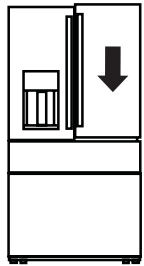
**NOTICE:** To avoid possible property damage, the leveling legs must be firmly touching the floor.

# Installation Instructions

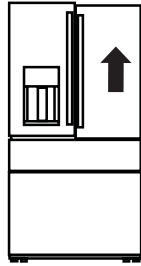
## INSTALLING THE REFRIGERATOR (Cont.)

### 17 LEVEL THE REFRIGERATOR DOORS

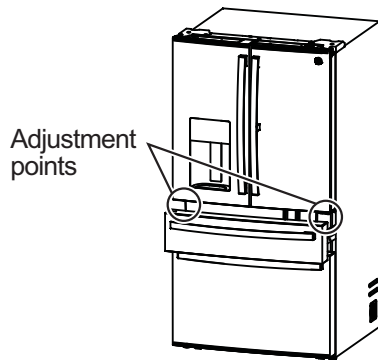
Remember a level refrigerator is necessary for getting the doors perfectly even. If you need help, review the previous section on leveling the refrigerator.



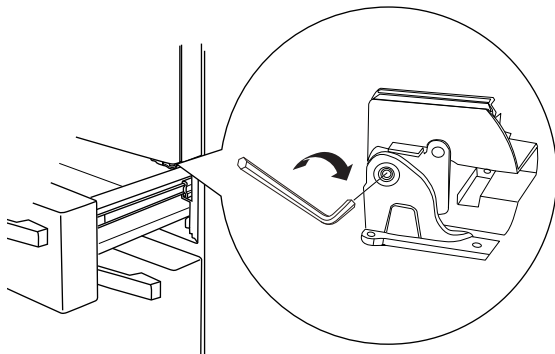
When the left door is lower than the right door.



When the left door is higher than the right door.



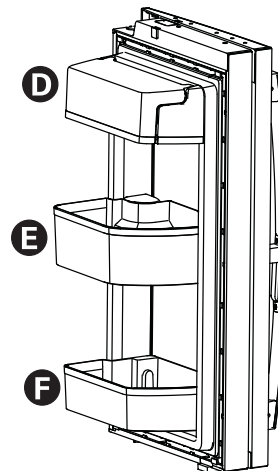
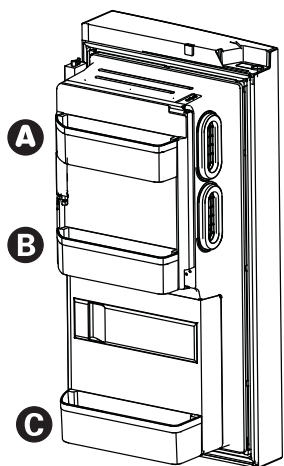
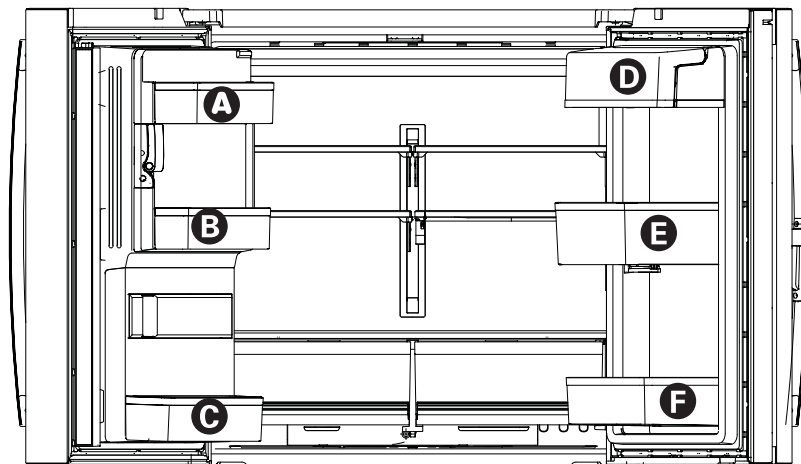
- Access the hinge screws by opening the convertible drawer.
- Insert 1/4" Allen wrench into the shaft of the center hinge.
- Adjust the height by turning clockwise or counterclockwise. When you turn counterclockwise, the door will move up.



# Installation Instructions

## INSTALLING THE REFRIGERATOR (Cont.)

### Profile Four Door, Door-in-Door Models

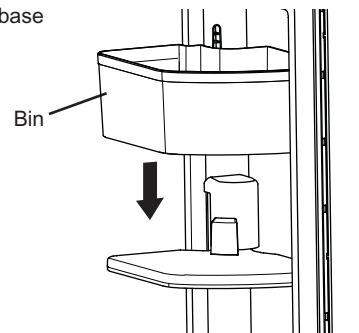
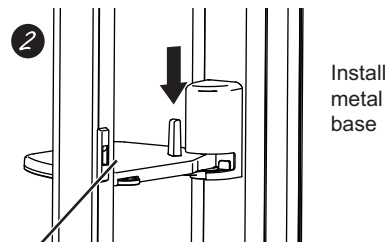
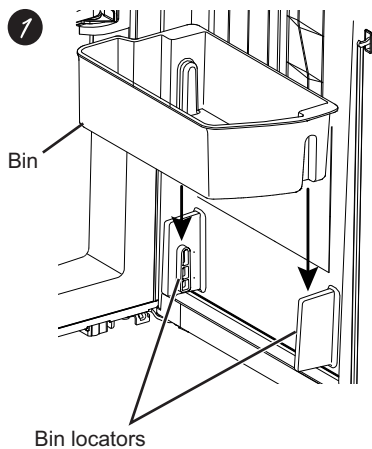


**To place adjustable bins into door:**

**1** Position the bins over the bin locators and push down until locked in position.

**2 To place rotating bin into door:**

1. Slide bin base assembly onto the bracket on the door.
2. Slide the bin onto the bin base



# Installation Instructions

## INSTALLING THE WATER LINE

### BEFORE YOU BEGIN

Recommended copper water supply kits are WX8X2, WX8X3 or WX8X4, depending on the amount of tubing you need. Approved plastic water supply lines are SmartConnect™ Refrigerator Tubing (WX08X10006, WX08X10015 and WX08X10025).

When connecting your refrigerator to a GE Appliances Reverse Osmosis Water System, the only approved installation is with a GE Appliances RVKit. For other reverse osmosis water systems, follow the manufacturer's recommendations.

If the water supply to the refrigerator is from a Reverse Osmosis (RO) Water Filtration System AND the refrigerator also has a water filter, use the refrigerator's filter bypass plug. Using the refrigerator's water filtration cartridge in conjunction with the RO water filter can result in hollow ice cubes. Some models do not come equipped with the filter bypass plug. To obtain a free bypass plug, call 833.4BODEWELL (833.426.3393) and request WR17X33825 filter bypass plug. In Canada, call 800.561.3344.

This water line installation is not warranted by the refrigerator or ice maker manufacturer. Follow these instructions carefully to minimize the risk of expensive water damage.

Water hammer (water banging in the pipes) in house plumbing can cause damage to refrigerator parts and lead to water leakage or flooding. Call a qualified plumber to correct water hammer before installing the water supply line to the refrigerator.

To prevent burns and product damage, do not hook up the water line to the hot water line.

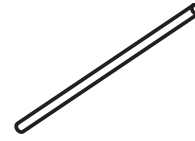
If the refrigerator is operated before the water connection is made to the ice maker, see **Controls** section on page 10 to turn ice maker off.

Do not install the ice maker tubing in areas where temperatures fall below freezing.

When using any electrical device (such as a power drill) during installation, be sure the device is double insulated or grounded in a manner to prevent the hazard of electric shock, or is battery powered.

All installations must be in accordance with local plumbing code requirements.

### WHAT YOU WILL NEED



- Copper or SmartConnect™ Refrigerator Tubing kit, 1/4" outer diameter to connect the refrigerator to the water supply. If using copper, be sure both ends of the tubing are cut square.

To determine how much tubing you need: measure the distance from the water valve on the back of the refrigerator to the water supply pipe. Be sure there is sufficient extra tubing to allow the refrigerator to move out from the wall after installation.

SmartConnect™ Refrigerator Tubing Kits are available in the following lengths:

- 8' (2.4 m) – WX08X10006
- 15' (4.6 m) – WX08X10015
- 25' (7.6 m) – WX08X10025

### ⚠ WARNING

Connect to potable water supply only.

A cold water supply is required for automatic icemaker operation. The water pressure must be between 40 and 120 psi (275-827 kilopascals)

# Installation Instructions

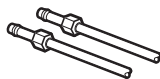
## INSTALLING THE WATER LINE (Cont.)

### WHAT YOU WILL NEED (Cont.)

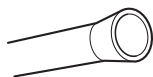
**NOTE:** The only Café approved plastic tubing is that supplied in SmartConnect™ Refrigerator Tubing kits. Do not use any other plastic water supply line because the line is under pressure at all times. Certain types of plastic will crack or rupture with age and cause water damage to your home.

- A GE Appliances water supply kit (containing tubing, shutoff valve and fittings listed below) is available at extra cost from your dealer or from Parts and Accessories, 877-959-8688 (in Canada 1.800.661.1616).
- A cold water supply. The water pressure must be between 20 and 120 p.s.i. (1.4–8.1 bar).

- Power drill.
- 1/2" or adjustable wrench.
- Straight and Phillips blade screwdriver.



- Two 1/4" outer diameter compression nuts and 2 ferrules (sleeves)—to connect the copper tubing to the shutoff valve and the refrigerator water valve.  
OR
- If you are using a SmartConnect™ Refrigerator Tubing kit, the necessary fittings are preassembled to the tubing.



- If your existing copper water line has a flared fitting at the end, you will need an adapter (available at plumbing supply stores) to connect the water line to the refrigerator OR you can cut off the flared fitting with a tube cutter and then use a compression fitting. Do not cut formed end from SmartConnect™ Refrigerator tubing.



- Shutoff valve to connect to the cold water line. The shutoff valve should have a water inlet with a minimum inside diameter of 5/32" at the point of connection to the COLD WATER LINE. Saddle-type shutoff valves are included in many water supply kits. Before purchasing, make sure a saddle-type valve complies with your local plumbing codes.

Install the shutoff valve on the nearest frequently used drinking water line.

### 1 SHUT OFF THE MAIN WATER SUPPLY

Turn on the nearest faucet long enough to clear the line of water.

### 2 CHOOSE THE VALVE LOCATION

Choose a location for the valve that is easily accessible. It is best to connect into the side of a vertical water pipe. When it is necessary to connect into a horizontal water pipe, make the connection to the top or side, rather than at the bottom, to avoid drawing off any sediment from the water pipe.

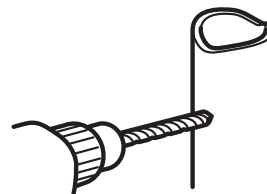


### 3 DRILL THE HOLE FOR THE VALVE

Drill a 1/4" hole in the water pipe (even if using a self-piercing valve), using a sharp bit. Remove any burrs resulting from drilling the hole in the pipe.

Take care not to allow water to drain into the drill.

Failure to drill a 1/4" hole may result in reduced ice production or smaller cubes.

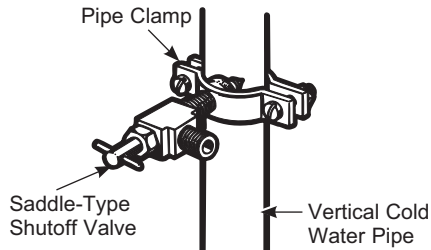


# Installation Instructions

## INSTALLING THE WATER LINE (Cont.)

### 4 FASTEN THE SHUTOFF VALVE

Fasten the shutoff valve to the cold water pipe with the pipe clamp.

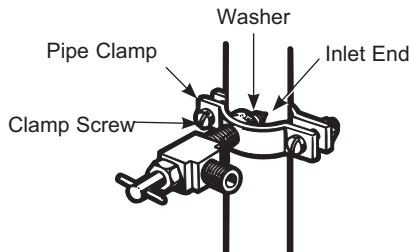


**NOTE:** Commonwealth of Massachusetts Plumbing Codes 248CMR shall be adhered to. Saddle valves are illegal and use is not permitted in Massachusetts. Consult with your licensed plumber.

### 5 TIGHTEN THE PIPE CLAMP

Tighten the clamp screws until the sealing washer begins to swell.

**NOTE:** Do not over tighten or you may crush the tubing.



### 6 ROUTE THE TUBING

Route the tubing between the cold water line and the refrigerator.

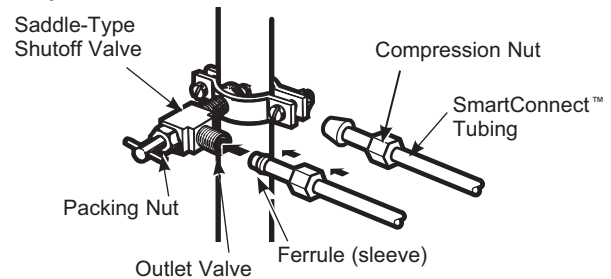
Route the tubing through a hole drilled in the wall or floor (behind the refrigerator or adjacent base cabinet) as close to the wall as possible.

### 7 CONNECT THE TUBING TO THE VALVE

Place the compression nut and ferrule (sleeve) for copper tubing onto the end of the tubing and connect it to the shutoff valve.

Make sure the tubing is fully inserted into the valve. Tighten the compression nut securely.

For plastic tubing from a SmartConnect™ Refrigerator Tubing kit, insert the molded end of the tubing into the shutoff valve and tighten compression nut until it is hand tight, then tighten one additional turn with a wrench. Over tightening may cause leaks.



**NOTE:** Commonwealth of Massachusetts Plumbing Codes 248CMR shall be adhered to. Saddle valves are illegal and use is not permitted in Massachusetts. Consult with your licensed plumber.

### 8 FLUSH OUT THE TUBIN

Turn the main water supply on and flush out the tubing until the water is clear.

Shut the water off at the water valve after about one quart (1 liter), or 2 minutes, of water has been flushed through the tubing.



To complete the installation of the refrigerator, go back to Step 12 in Installing the Refrigerator.

# Normal Operating Conditions.

Newer refrigerators sound different from older refrigerators.  
 Modern refrigerators have more features and use newer technology.

## Do you hear what I hear? These conditions are normal.

**HUMMM...**

**WHOOSH...**

- The new high efficiency compressor may run faster and longer than your old refrigerator and you may hear a high-pitched hum or pulsating sound while it is operating.
- You may hear a whooshing sound when the doors close. This is due to pressure equalizing within the refrigerator.
- After dispensing ice, a motor will close the ice chute to keep warm room air from entering the ice bucket, maintaining ice at a freezing temperature.  
 The hum of the motor closing the ice chute is normal, shortly after dispensing ice.



- You may hear the fans spinning at high speeds. This happens when the refrigerator is first plugged in, when the doors are opened frequently or when a large amount of food is added to the refrigerator or freezer compartments. The fans are helping to maintain the correct temperatures.
- The fans change speeds in order to provide optimal cooling and energy savings.

### CLICKS, POPS, CRACKS and SNAPS

- You may hear cracking or popping sounds when the refrigerator is first plugged in. This happens as the refrigerator cools to the correct temperature.
- The compressor may cause a clicking or chirping sound when attempting to restart (this could take up to 5 minutes).
- Expansion and contraction of cooling coils during and after defrost can cause a cracking or popping sound.
- On models with an ice maker, after an ice making cycle, you may hear the ice cubes dropping into the ice bucket.
- After dispensing ice, a motor will close the ice chute to keep warm room air from entering the ice bucket, maintaining ice at a freezing temperature.

### WATER SOUNDS



- The flow of refrigerant through the cooling coils may make a gurgling noise like boiling water.
- Water dropping on the defrost heater can cause a sizzling, popping or buzzing sound during the defrost cycle.
- A water dripping noise may occur during the defrost cycle as ice melts from the evaporator and flows into the drain pan.
- Closing the door may cause a gurgling sound due to pressure equalization.

### START UP COOLING


It can take up to 24 hours for the refrigerator and freezer temperatures to match the display. During that time refrigerator and freezer door openings should be minimized.

**TIPS**

- Freezer cools first.
- Refrigerator compartment cools last; it may take several hours after the freezer.
- Turning off ice maker makes both refrigerator and freezer food cool faster.

# Troubleshooting Tips... Before you call for service

Save time and money! Review the charts on the following pages first and you may not need to schedule service.

Problem	Possible Causes	What to Do
Not filtering	Filter bypass installed	Install correct water filter
Reset Water Filter Water Filter Expired	Water filter leaking or needs replacing	Replace water filter, or install filter bypass * To reset filter timer, press the <b>Settings</b> (  ) button until "Icemaker" is highlighted, then hold down the <b>Water</b> and <b>Ice</b> buttons simultaneously for 3 seconds."
Leak Detected at Filter	Water filter leaking or needs replacing.	Replace water filter or install filter bypass plug.
Water filter indicator light remains lit after replacing filter	Water filter or bypass plug installed backward or wrong filter installed.	Remove filter or bypass plug, rotate it 180 degrees and reinstall.
Water filter indicator light is not lit	This is normal. This indicator will turn on to tell you that you need to replace the filter soon.	See Water Filter for more information.
Handle is loose/handle has a gap.	Handle needs adjusting	See Installing the Refrigerator section for detailed instructions.
Refrigerator beeping	This is door alarm	-Turn off or disable with door closed -If door open and alarm is sounding, you can only snooze the alarm
Not cooling	The cooling system is off	See Controls.
Water has poor taste/odor	Water dispenser has not been used for a long time	Dispense water, until all water in system is replenished.
Water in glass is warm	Normal when refrigerator is first installed	Wait 24 hours for the refrigerator to completely cool down.
	Water dispenser has not been used for a long time	Dispense water, until all water in system is replenished
	Water system has drained	Allow several hours for replenished supply to chill
Water dispenser does not work	Water supply line turned off or not connected	See Installing the Water Line
	Water filter clogged or filter/bypass plug not installed	Replace filter cartridge or remove filter and install bypass plug*
	Air may be trapped in the water system	Press the dispenser arm for at least 5 minutes.
	Water in reservoir is frozen because the controls are set too cold	Set the refrigerator control to a warmer setting and wait 24 hours. If the water does not dispense after 24 hours, call for service
Water spurting from dispenser	Newly installed filter cartridge	Run water from the dispenser for 5 minutes (about 2 gallons)

\*Some models do not come equipped with the filter bypass plug. To obtain a free bypass plug, call 833.4BODEWELL (833.426.3393) and request WR17X33825 filter bypass plug. In Canada, call 800.561.3344.

## Troubleshooting Tips... Before you call for service

Problem	Possible Causes	What to Do
No water or ice cube production	Supply line or shutoff valve is clogged	Call a plumber
	Water filter is clogged	Replace filter cartridge or remove filter and install bypass plug*
	Filter cartridge not properly installed	Remove and reinstall filter cartridge, being certain that it locks in place.
	Ice maker is turned off	Check that the ice maker is turned on. See Controls
Water is leaking from dispenser	Air may be present in the water line system, causing water to drip after being dispensed	Dispense water for at least 5 minutes to remove air from system
AUTO FILL under fill/no fill	Not all containers work with <b>AUTOFILL</b>	Try different container
	If container is not stationary may result in error or underfill.	See page 11
	Usage of a clogged or expired water filter	Clean sensor. See page 11.
AUTO FILL overfills	Not all containers work with <b>AUTOFILL</b>	Try different container Use less ice Ensure hands are away from the cup prior to pressing the AutoFill key
Hands Free Precise Fill	Not all containers work with <b>AUTOFILL</b>	Try different container Use less ice Ensure hands are away from the cup prior to pressing the AutoFill key
Freezer cooling, refrigerator not cooling	Normal, when refrigerator first plugged in or after extended power outage	Wait 24 hours for temperature in both compartments to reach selected temperatures.
Ice dispenser opens after closing freezer drawer	Normal	The ice dispenser door may open after closing freezer door to allow access
My refrigerator door squeaks	Diminished lubricant because of accidental cleaning of the lubricant on the hinge	It is best to order GEA lubricant service part number WR97X166 and apply on the hinge at specified location.  It is possible to spray some non-toxic lubricant such as silicone based non-stick cooking spray, petroleum jelly or NSF approved food grade lubricants. <b>IMPORTANT:</b> Do not use WD-40 as it will remove any remaining grease in or around the hinge
	Improper leveling	Make sure the unit is leveled
	If doors were removed and re-assembled during installation process, waterline and/ harness under Top Hinge cover may get out of position and rub against door while door swivels.	Remove the Top Hinge cover and make sure the waterline and harness that passes through the hinge pin has been properly seated and does not touch the any of the door parts during rotation.  Applying some food grade lubricant around door thimble area will also help.
No item found after scanning	Not all labels are compatible with scanner. Poor connection to WiFi • Check WiFi strength of phone near appliance. Reset WiFi. Reposition WiFi router.	Add shopping list item via Voice function. Reset SBC UI (user interface) with convertible drawer UI multi-press
No scan is read	Obstruction on scanner	Clean Sensor. See Page 12(?) Check position of label. See Page 12(?)

# Troubleshooting Tips... Before you call for service

Problem	Possible Causes	What to Do
Display Shows "item not found" when scanning	Item not found in database.	Attempt to rescan. Scan a known compatible product. Add item via Voice. Add item manually from fridge or SmartHQ app.
Barcode Scanner Indicator LED not active	Barcode Scanner Disabled	Enable from Settings Menu
	Indicator LED disabled	Enable from Settings Menu
	Presence Sensing Issue	See Presence Sensing Section
	Wifi Connection	Verify wifi connection on Display
Item does not scan (no response on screen)	Label Not Supported	Certain Barcode formats are not supported such as QR. Some manufacturer barcodes may not be in supported database. Add item via Voice. Add via SmartHQ App
	Ambient Lighting	Increase lighting in kitchen or Activate the Recess light and rescan. Try changing label distance either further or closer to scanner with indicator LED shining on label.
	Label size	For smaller labels move closer. For larger labels move further away. For Curved surfaces attempt to flatten label. Attempt to reset unit via Multi-key
	Label damage	Inspect label for dirt, damage, curvature or crinkle.
	Reflectivity	Check for glare on the label surface and remove/obscure source of extra light
	Orientation of label	Move label so that widest area is presented towards Bar Code Scanner Lens. Adjust so that label is oriented around 45 degrees from the display surface. Try changing label distance either further or closer to scanner with indicator LED shining on label.
	Lens Obstruction	Check for any material obstruction the bar code scanner lens. Wipe gently with damp cloth. See Use and Care Cleaning Section
	Wifi Connection	Attempt to rescan. Verify wifi connection on Display
	Software Lockup	Reset the unit by using the Convertible Drawer UI. Open drawer, Unlock Control and hold Meat and Snacks keys simultaneously for 3 seconds. All controls in unit should reset.
	Doors Open	Ensure all doors are closed for scanner to be active.
Wrong Item Displayed	Database uses the same product number for multiple items	Attempt to rescan. Attempt to change orientation and distance of label before rescan. Add Item Via Voice or SmartHQ.

## Troubleshooting Tips... Before you call for service

Problem	Possible Causes	What to Do
Fridge Focus camera images are not showing up in the SmarthQ app	Check the state of the camera shutter	Open the shutter or remove obstructions
	Check for camera position and obstructions	Adjust camera and any intervening items to give best view of drawers
	Remaining packing material	Remove all packing material from drawers that could obstruct the silver trim of the Crisper Drawers.
	Check for lens cleanliness	Wipe gently with damp cloth. See Use and Care Cleaning Section
	Camera Disabled	Ensure that camera is enabled in Settings Menu
	Duration	Generally having drawers open for 4-5 seconds will give best results for drawer images. Open door for 10 seconds, open crisper for 20 seconds, close everything, wait for few minutes and check SmarthQ to see if images are shown.
	Wifi Connection	Verify wifi connection on Display Check Wifi Signal Strength in Settings Menu. <-90 db may result in poor performance Additionally verify that your SmarthQ app shows that your unit is connected to your account.
No audible noise	Settings	Check that speaker is enabled and increase volume from settings menu.
Distorted audio	Settings	Check that speaker are enabled and increase volume from settings menu.
	Obstruction	Check that no obstruction or material is on speaker surface.
	Software Lockup	Reset the unit by using the Convertible Drawer UI. Open drawer, Unlock Control and hold Meat and Snacks keys simultaneously for 3 seconds. All controls in unit should reset.
No response to touch screen or screen frozen	Software lockup	Reset the unit by using the Convertible Drawer UI. Open drawer, Unlock Control and hold Meat and Snacks keys simultaneously for 3 seconds. All controls in unit should reset.
Recess Light/Display/Aiming LED do not activate when I'm in front of the unit	Obstructing item	Long Term presence of an object (such as a kitchen island or tall chair) within 40"-60" of front of unit may cause the presence sensing algorithm to be disabled. Move the obstructing object and algorithm should reset within ~8 hours. Touch the screen and the Aiming LED should activate
	Material	Certain clothing materials/colors may be more difficult to detect. Such as dark/rough fleece.
Precisefill Stops prematurely	Container positioning	See Autofill Section

# Truth or Myth

## SERVICE

Before you call for service, review the detailed troubleshooting tips in the Owner's manual. If needed, service can be scheduled by visiting us online [GEAppliances.com](http://GEAppliances.com) or calling 800.GE.CARES 800.432.2737. In Canada visit [GEAppliances.ca](http://GEAppliances.ca) or call 800.561.3344.

## Truth or Myth

Truth or Myth?	Answer	Explanation
The refrigerator water filter may require replacement, even though the filter indicator has not turned red, or reads "Filter Expired."	TRUE	The water filter indicator will indicate the need to replace the water filter every six months. Water quality varies from city to city; if water flow from the dispenser slows, or ice production decreases, the water filter should be replaced, even though the filter indicator may not indicate the need for replacement.
The automatic ice maker in my refrigerator will produce ice when the refrigerator is plugged in to a power receptacle.	MYTH	The refrigerator must be connected to water, and the ice maker must be turned on. Make sure the ice maker is turned on, only after the water line is connected and water is turned on. The ice maker can be turned <b>on/off</b> from the controls and ensure the ice maker is on, as indicated on the refrigerator control panel. See Automatic Ice Maker section in the full owner's manual available online.
After the refrigerator has been plugged in and connected to water, I will immediately have unlimited chilled water available from the water dispenser.	MYTH	The water dispenser tank located inside the refrigerator stores water for dispensing. The water in this tank requires 24 hours to chill after installation. High usage conditions will not allow time for the water to chill.
After water dispenses, a few drops of water are normal.	TRUE	A few drops of water may fall from the dispenser, after the dispenser paddle has been released. To minimize the drops, remove the glass slowly from the dispenser.
I will never see frost inside the freezer compartment.	MYTH	Frost inside the freezer typically indicates that the door is not properly sealed, or has been left open. If frost is found, clear the frost using a plastic spatula and towel, then check to ensure that no food packages or containers are preventing the freezer door from closing. Check the refrigerator control panel to ensure the door alarm is on.
When the refrigerator is installed, or after replacing the water filter, I must dispense water for five minutes.	TRUE	A newly installed refrigerator or water filter contains air in the water lines. Press the dispenser paddle and dispense cold water for at least 5 minutes to remove air from the water line, and flush the filter.
To fill the ice bucket to the maximum capacity, I should dispense 12 and 18 hours after installation.	TRUE	Dispensing 3-4 cubes 12 hours and 18 hours after installation, allows ice to disperse within the ice bucket, which in turns calls on the ice maker to produce additional ice. Normal ice production = 100 cubes in 24 hours.
I can use the water filter bypass plug to determine if the filter requires replacement.	TRUE	Decrease in flow from the water dispenser, or decreased ice production, may indicate the need to replace the water filter. Install the water filter bypass plug (provided with the refrigerator on some models*), and check flow from the dispenser. If water flow returns to normal with the bypass plug in place, replace the water filter.
The top of the refrigerator doors will always be aligned.	MYTH	Several things can affect the refrigerator door alignment, including the floor the refrigerator is installed on and loading of doors. If the top of the refrigerator doors are not aligned, use a 1/4" allen wrench to adjust the right/left hand door. The adjustment screw is located on the bottom right or left hand side of the door. Refrigerator doors should be open during height adjustment. Open the freezer door to access the screw. See Step 8.
Refrigerator door handles can be easily tightened.	TRUE	If door handles are loose or have a gap, the handle can be adjusted using a 1/8" allen wrench, on set screws located on the ends of the handles.
There may be odor and taste problems with your ice.	TRUE	After starting the ice maker throw away 24 hours of ice production to avoid odor and taste problems.
I can make fine adjustments to the Refrigerator Doors to align them.	TRUE	If the refrigerator doors are not aligned, use a 1/4" Allen wrench to adjust the right hand door. The adjustment screw is located on the bottom of the right door. Open the freezer door to access. See step 8.

## Truth or Myth

### SERVICE

Before you call for service, review the detailed troubleshooting tips in the Owner's manual. If needed, service can be scheduled by visiting us online [GEAppliances.com](http://GEAppliances.com) or calling 800.GE.CARES 800.432.2737. In Canada visit [GEAppliances.ca](http://GEAppliances.ca) or call 800.561.3344.

### Truth or Myth

Truth or Myth?	Answer	Explanation
Door handles should always be removed for installation.	MYTH	Check chart on reverse side of this instruction. If the doors must be removed do not remove the handles, or if the refrigerator will fit easily through the passage way opening. Adjust handles that are loose or have a gap, by adjusting 1/8" set screws on either end of handles.
Door removal is always required for installation.	MYTH	Check chart on reverse side of this instruction. Doors should only be removed when necessary to prevent damage from passage way or access to final location.
Refrigerator doors will self-close if left open.	MYTH	Refrigerator doors need to be closed by consumer. A gentle bounce back is a designed feature on some models that gives a positive feedback to the user so that they can initiate and complete the door closing action.
There is an adjustment to rear wheels.	MYTH	Front leveling legs are adjustable and should be used to balance the refrigerator. Leveling legs are used to make initial refrigerator door adjustment.
Check for leaks after all water connections are made.	TRUE	While purging the air from the water system, check all water line connections for leaks. Check the connection to the household water supply at back of refrigerator, and door water line connect.
Any packaging residue can be cleaned off the refrigerator using any cleaner.	MYTH	Do not use wax, polish, bleach, or other products containing chlorine on Stainless Steel panels, door handles and trim. Check this instruction under "Cleaning the Outside" for full details.

\*Some models do not come equipped with the filter bypass plug. To obtain a free bypass plug, call 833.4BODEWELL (833.426.3393) and request WR17X33825 filter bypass plug. In Canada, call 800.561.3344.

# GE Appliances Refrigerator Limited Warranty

**LIMITED WARRANTY**

## GEAppliances.com

For US Customers, all warranty service is provided by our Factory Service Centers, or an authorized Customer Care® technician. To schedule service online, visit us at [geappliances.com](http://geappliances.com), or call GE Appliances at 833.4 BODEWELL (833.426.3393). Please have your serial number and your model number available when calling for service.

In Canada, call 800.661.1616.

Service your refrigerator may require the use of the onboard data port for diagnostics. This gives a GE Appliances Factory Service technician the ability to quickly diagnose any issues with your appliance and helps GE Appliances improve its products by providing GE Appliances with information on your appliance. If you do not want your appliance data to be sent to GE Appliances, please advise your technician NOT to submit the data to GE Appliances at the time of service.

For the Period of:	GE Appliances Will Replace
<b>One Year</b> From the date of the original purchase	<b>Any part</b> of the refrigerator which fails due to a defect in materials or workmanship. During the <b>limited one-year warranty</b> , GE Appliances will also provide, <b>free of charge</b> , all labor and related service to replace the defective part.
<b>Thirty Days</b> (Water filter, if included) From the original purchase date of the refrigerator	<b>Any part</b> of the water filter cartridge which fails due to a defect in materials or workmanship. During this <b>limited thirty-day warranty</b> , GE Appliances will also provide, <b>free of charge</b> , a replacement water filter cartridge.

## GE PROFILE™ MODELS ONLY

<b>Five Years</b> From the date of the purchase	<b>Any part</b> of the sealed refrigerating system (the compressor, condenser, evaporator and all connecting tubing) which fails due to a defect in materials or workmanship. During this <b>limited five-year sealed refrigerating system warranty</b> , GE Appliances will also provide, <b>free of charge</b> , all labor and related service to replace the defective part in the sealed refrigerating system.
--	--

## What GE Appliances Will Not Cover:

- Service trips to your home to teach you how to use the product.
- Improper installation, delivery or maintenance.
- Failure of the product if it is abused, misused, or used for other than the intended purpose or used commercially.
- Loss of food due to spoilage.
- Replacement of house fuses or resetting of circuit breakers.
- Damage to finish, such as surface rust, tarnish, or small blemishes not reported within 48 hours of delivery.
- Replacement of the water filter cartridge, if included, due to water pressure that is outside the specified operating range or due to excessive sediment in the water supply.
- Replacement of the light bulbs, if included, or water filter cartridge, if included, other than as noted above.
- Damage to the product caused by accident, fire, floods or acts of God.
- Incidental or consequential damage caused by possible defects with this appliance.
- Product not accessible to provide required service.
- Damage caused by a non-GE Appliances Brand water filter.

## EXCLUSION OF IMPLIED WARRANTIES

Your sole and exclusive remedy is product repair as provided in this Limited Warranty. Any implied warranties, including the implied warranties of merchantability or fitness for a particular purpose, are limited to one year or the shortest period allowed by law.

**For US Customers:** This limited warranty is extended to the original purchaser and any succeeding owner for products purchased for home use within the USA. If the product is located in an area where service by a GE Appliances Authorized Servicer is not available, you may be responsible for a trip charge or you may be required to bring the product to an Authorized GE Appliances Service location for service. In Alaska, the limited warranty excludes the cost of shipping or service calls to your home. Some states do not allow the exclusion or limitation of incidental or consequential damages. This warranty gives you specific legal rights, and you may also have other rights which vary from state to state. To know what your legal rights are, consult your local or state consumer affairs office or your state's Attorney General.

**Warrantor: GE Appliances, a Haier company Louisville, KY 40225**

**In Canada (including the province of Québec):** This limited warranty is extended to the original purchaser and any succeeding owner for products purchased in Canada including Québec for home use within Canada including Québec. If the product is located in an area where service by a GE Appliances Authorized Servicer is not available, you may be responsible for a trip charge or you may be required to bring the product to an Authorized GE Appliances Service location. Some provinces including Québec do not allow the exclusion or limitation of incidental or consequential damages. This limited warranty gives you specific legal rights, and you may also have other rights which vary from province to province including Québec. To know what your legal rights are, consult your local or provincial consumer affairs office.

**For Québec consumers only - Notice on the warranty of availability of spare parts, repair services and information necessary for repair or maintenance (s. 39 of the Consumer Protection Act):** Please be advised that MC Commercial Inc. ("MC Commercial") does not guarantee, within the meaning of section 39 of the Consumer Protection Act, CQLR, c. P-40.1 and sections 79.18 to 79.20 of the Regulation respecting the application of the Consumer Protection Act, CQLR, c. P-40.1, r. 3, the availability of replacement parts, repair services, or the information necessary for the maintenance or repair of goods manufactured, imported, advertised, or sold by MC Commercial.

Please note that MC Commercial Inc. continues to offer the manufacturer's limited warranty as stated in the Owner's Manual or Quick Guide, and that this limited warranty is distinct from the statutory warranty of availability provided for under section 39 of the Consumer Protection Act.

**Warrantor: MC Commercial Inc., Burlington, ON, L7L 6B2**

Staple your receipt here. Proof of the original purchase date is needed to obtain service under the warranty.

# XWFE Water Filter Cartridge Limited Warranty

Contact us at [geapplianceparts.com](http://geapplianceparts.com), or call 800.GE.CARES.

<b>For the period of</b>	<b>GE Appliances will replace</b>
<b>Thirty Days</b> From the date of the original purchase	<b>Any part</b> of the water filter cartridge which fails due to a defect in materials or workmanship during this <b>limited thirty-day warranty</b> .*

### What GE Appliances will not cover:

- Service trips to your home to teach you how to use the product.
- Improper installation.
- Failure of the product if it is abused, misused, used for other than the intended purpose or used commercially.
- Replacement of house fuses or resetting of circuit breakers.
- Damage to the product caused by accident, fire, floods, or acts of God.
- Incidental or consequential damage caused by possible defects with this appliance.

### EXCLUSION OF IMPLIED WARRANTIES

Your sole and exclusive remedy is part exchange as provided in this Limited Warranty. Any implied warranties, including the implied warranties of merchantability or fitness for a particular purpose, are limited to six months or the shortest period allowed by law.

This warranty is extended to the original purchaser and any succeeding owner for products purchased for home use within the USA. In Alaska, the warranty excludes the cost of shipping or service calls to your home.

Some states do not allow the exclusion or limitation of incidental or consequential damages. This warranty gives you specific legal rights, and you may also have other rights which vary from state to state. To know what your legal rights are, consult your local or state consumer affairs office or your state's Attorney General.

**For Purchases Made In Iowa:** This form must be signed and dated by the buyer and seller prior to the consummation of this sale.

This form should be retained on file by the seller for a minimum of two years.

### Buyer:

Name \_\_\_\_\_  
 Address \_\_\_\_\_  
 City \_\_\_\_\_ State \_\_\_\_\_ Zip \_\_\_\_\_  
 Signature \_\_\_\_\_ Date \_\_\_\_\_

### Seller:

Name \_\_\_\_\_  
 Address \_\_\_\_\_  
 City \_\_\_\_\_ State \_\_\_\_\_ Zip \_\_\_\_\_  
 Signature \_\_\_\_\_ Date \_\_\_\_\_

\*If your GE Appliances part fails because of a manufacturing defect within thirty days from the date of original purchase for use, we will give you a new or, at our option, a rebuilt part without charge. Return the defective part to the parts supplier from whom it was purchased together with a copy of the "proof of purchase" for the part. If the part is defective and shows no signs of abuse, it will be exchanged. The warranty does not cover the failure of parts which are damaged while in your possession, are abused, or have been installed improperly. It does not cover the cost of returning the part to the supplier from whom it was purchased nor does it cover the cost of labor to remove or install it to diagnose the fault. It does not cover parts used in products in commercial use except in the case of air conditioning equipment. In no event shall GE Appliances be liable for consequential damages. Warrantor: GE Appliances, a **Haier** company

Staple your receipt here. Proof of the original purchase date is needed to obtain service under the warranty.

# Performance Data Sheet

## Model: GE Appliances XWFE

- System certified by IAPMO R&T against NSF/ANSI Standards 42, 53, 401, and P473 for the reduction of claims specified on the performance data sheet and at [iapmort.org](http://iapmort.org).
- Actual performance may vary with local water conditions.

Substance Tested for Reduction	Influent challenge concentration (mg/L)	Maximum permissible product water concentration (mg/L)	Avg % Reduction
Chlorine Taste and Odor	2.0 mg/L +/- 10%	N/A	96.9
Chloramine Taste and Odor	3.0 mg/L +/- 10%	0.5	96.9
Particulate, Class I	At least 10,000/mL	N/A	91.4
Cysts	50,000/L	N/A	>99.99
Lead	0.15	0.01	98.85
Mercury	0.006	0.002	96.3
Asbestos	107 to 108 fibers/ L	N/A	>99
Toxaphene	0.015 +/- 10%	0.003	86.95
VOC (Chloroform surrogate chemical)	0.300	0.015	99.7
Alachlor	0.050	0.001	> 98
Atrazine	0.100	0.003	> 97
Benzene	0.081	0.001	> 99
Carbofuran	0.190	0.001	> 99
carbon tetrachloride	0.078	0.0018	98
chlorobenzene	0.077	0.001	> 99
chloropicrin	0.015	0.0002	99
2,4-D	0.110	0.0017	98
dibromochloropropane (DBCP)	0.052	0.00002	> 99
o-Dichlorobenzene	0.08	0.001	> 99
p-Dichlorobenzene	0.040	0.001	> 98
1,2-dichloroethane	0.088	0.0048	95
1,1-dichloroethylene	0.083	0.001	> 99
cis-1,2-dichloroethylene	0.170	0.0005	> 99
trans-1,2-dichloroethylene	0.086	0.001	> 99
1,2-dichloropropane	0.080	0.001	> 99
cis-1,3-dichloropropylene	0.079	0.001	> 99
dinoseb	0.170	0.0002	99
Endrin	0.053	0.00059	99
Ethylbenzene	0.088	0.001	> 99
ethylene dibromide (EDB)	0.044	0.00002	> 99
bromochloroacetonitrile	0.022	0.0005	98
dibromoacetonitrile	0.024	0.0006	98
dichloroacetonitrile	0.0096	0.0002	98
trichloroacetonitrile	0.015	0.0003	98
1,1-dichloro-2-propanone	0.0072	0.0001	99
1,1,1-trichloro-2-propanone	0.0082	0.0003	96
heptachlor (H-34, Heptox)	0.025	0.00001	>99
heptachlor epoxide	0.0107	0.0002	98
hexachlorobutadiene	0.044	0.001	> 98
hexachlorocyclopentadiene	0.060	0.000002	> 99
Lindane	0.055	0.00001	> 99
methoxychlor	0.050	0.0001	> 99
pentachlorophenol	0.096	0.001	> 99
simazine	0.120	0.004	> 97
Styrene	0.150	0.0005	> 99
1,1,2,2-tetrachloroethane	0.081	0.001	> 99
Tetrachloroethylene	0.081	0.001	> 99
Toluene	0.078	0.001	> 99
2,4,5-TP (silvex)	0.270	0.0016	99
tribromoacetic acid	0.042	0.001	> 98
1,2,4-Trichlorobenzene	0.160	0.0005	> 99
1,1,1-trichloroethane	0.084	0.0046	95
1,1,2-trichloroethane	0.150	0.0005	> 99
trichloroethylene	0.180	0.0010	> 99
bromoform	0.300	0.015	95
bromodichloromethane	0.300	0.015	95
chlorodibromomethane	0.300	0.015	95
xylenes	0.070	0.001	>99
Meprobamate	400 +/- 20%	60	95.5
Atenolol	200 +/- 20%	30	95.9
Carbamazepine	1400 +/- 20%	200	98.6
DEET	1400 +/- 20%	200	98.6
Metolachlor	1400 +/- 20%	200	98.7
Trimethoprim	140 +/- 20%	20	96.1
Linuron	140 +/- 20%	20	96.6
TCEP	5000 +/- 20%	700	98.1
T CPP	5000 +/- 20%	700	98.1
Phenytol	200 +/- 20%	30	96
Ibuprofen	400 +/- 20%	60	95.9
Naproxen	140 +/- 20%	20	96.5
Estrone	140 +/- 20%	20	97.1
Bisphenol A	2000 +/- 20%	300	99.1
Nonyl phenol	1400 +/- 20%	200	97.3

### Application Guidelines/Water Supply Parameters

Service Flow	0.5 gpm (1.89 lpm)
Water Supply	Potable Water
Water Pressure	25-120 psi (172-827 kPa)
Water Temperature	33°F-100°F (0.6°C-38°C)
Capacity	170 gallons (643.5 liters)

It is essential that the manufacturer's recommended installation, maintenance and filter replacement requirements be carried out for the product to perform as advertised. See Installation Manual for Warranty information.

**NOTE:** While the testing was performed under standard laboratory conditions, actual performance may vary. Replacement Cartridge: XWFE. For estimated costs of replacement elements please visit our website at [gewaterfilters.com](http://gewaterfilters.com).

### ⚠ WARNING To reduce the risk associated with ingestion of contaminants:

- Do not use with water that is microbiologically unsafe or of unknown quality without adequate disinfection before and after the system. Systems certified for cyst reduction may be used on disinfected water that may contain filterable cysts.

### NOTICE

To reduce the risk of water leakage or flooding, and to ensure optimal filter performance:

- Read and follow use instructions before installation and use of this system.
- Installation and use **MUST** comply with all state and local plumbing codes.
- Do not install if water pressure exceeds 120 psi (827 kPa). If your water pressure exceeds 80 psi (552 kPa), you **must** install a pressure-limiting valve. Contact a plumbing professional if you are uncertain how to check your water pressure.
- Do not install where water hammer conditions may occur. If water hammer conditions exist you **must** install a water hammer arrester. Contact a plumbing professional if you are uncertain how to check for this condition.
- Do not install on hot water supply lines. The maximum operating water temperature of this filter system is 100° F (38° C).
- **Protect filter from freezing.** Drain filter when temperatures drop below 33°F (0.6°C).
- Change the disposable filter cartridge every six months or sooner if you observe a noticeable reduction in water flow rate.
- Failure to replace the disposable filter cartridge at recommended intervals may lead to reduced filter performance and cracks in the filter housing, causing water leakage or flooding.
- This System has been tested according to NSF/ANSI 42, 53, 401, and P473 for the reduction of the substances listed below. The concentration of the indicated substances in water entering the system was reduced to a concentration less than or equal to the permissible limit for water leaving the system, as specified in NSF/ANSI 42, 53, 401, and P473.



XWFE System is certified by IAPMO R&T against NSF/ANSI Standards 42, 53, 401, and P473 for the reduction of claims specified on the performance data sheet and at [iapmort.org](http://iapmort.org).

# Consumer Support

---

## GE Appliances Website

Have a question or need assistance with your appliance? Try the GE Appliances Website 24 hours a day, any day of the year! You can also shop for more great GE Appliances products and take advantage of all our on-line support services designed for your convenience. In the US: [GEAppliances.com](http://GEAppliances.com) In Canada: [GEAppliances.ca](http://GEAppliances.ca)

---

## Register Your Appliance

Register your new appliance on-line at your convenience! Timely product registration will allow for enhanced communication and prompt service under the terms of your warranty, should the need arise. You may also mail in the pre-printed registration card included in the packing material.

In the US: [GEAppliances.com/register](http://GEAppliances.com/register)

In Canada: [GEAppliances.ca/after-sales-support](http://GEAppliances.ca/after-sales-support)

---

## Schedule Service

Expert GE Appliances repair service is only one step away from your door. Get on-line and schedule your service at your convenience any day of the year. In the US: [bodewell.com/schedule-repair-service](http://bodewell.com/schedule-repair-service) or call 833.4BODEWELL (833.426.3393) during normal business hours.

In Canada: [GEAppliances.ca/parts-filters-accessories](http://GEAppliances.ca/parts-filters-accessories) or call 800.561.3344

---

## Extended Warranties

Purchase a GE Appliances extended warranty and learn about special discounts that are available while your warranty is still in effect. You can purchase it on-line anytime. GE Appliances Services will still be there after your warranty expires. In the US: [bodewellcareplan.com](http://bodewellcareplan.com) or call 833.4BODEWELL (833.426.3393) during normal business hours.

In Canada: [GEAppliances.ca/purchase-extended-warranty](http://GEAppliances.ca/purchase-extended-warranty) or call 866.277.9842.

---

## Parts and Accessories

Individuals qualified to service their own appliances can have parts or accessories sent directly to their homes (VISA, MasterCard and Discover cards are accepted). Order on-line today 24 hours every day.

In the US: [bodewell.com/schedule-repair-service](http://bodewell.com/schedule-repair-service) or by phone at 833.4BODEWELL (833.426.3393) during normal business hours.

**Instructions contained in this manual cover procedures to be performed by any user. Other servicing generally should be referred to qualified service personnel. Caution must be exercised, since improper servicing may cause unsafe operation.**

Customers in Canada should consult the yellow pages for the nearest Mabe service center, visit our website at [GEAppliances.ca/parts-filters-accessories](http://GEAppliances.ca/parts-filters-accessories) or call 800.661.1616.

---

## Contact Us

If you are not satisfied with the service you receive from GE Appliances, contact us on our Website with all the details including your phone number, or write to:

In the US: General Manager, Customer Relations | GE Appliances, Appliance Park | Louisville, KY 40225

[GEAppliances.com/contact](http://GEAppliances.com/contact) or call 800.626.2000.

In Canada: Director, Customer Relations | MC Commercial Inc. | 1100 Burloak Dr, Suite 601 | Burlington, ON L7L 6B2

[GEAppliances.ca/contact-us](http://GEAppliances.ca/contact-us) or call 877.994.5366.

---



# Congélateur au bas RÉFRIGÉRATEURS

## MESURES DE SÉCURITÉ ..... 3

## CONSIGNES D'UTILISATION

Fonctions.....	6
Commandes .....	10
Distributeur .....	12
Autofill* (Remplissage automatique) .....	12
Communications des électroménagers ..	13
Réponse à la demande .....	14
Filtre à eau .....	15
Stockage des produits frais .....	16
Rangement à contrôle climatique.....	18
Tiroir convertible .....	18
Congélateur.....	19
Machine à glaçons automatique .....	20

## ENTRETIEN ET NETTOYAGE.. 21

Remplacement des ampoules .....	22
---------------------------------	----

## INSTRUCTIONS D'INSTALLATION

Préparation avant installation du réfrigérateur .....	23
Installation du réfrigérateur .....	26
Installation de l'alimentation en eau....	35

## CONSEILS DE DÉPANNAGE .... 38

Bruits normaux de fonctionnement ....	38
conseils de dépannages .....	39
Entretien - Mythe ou réalité .....	41

## GARANTIE LIMITÉE ..... 43

## SOUTIEN AU CONSOMMATEUR

Certificat de garantie du filtre à eau à cartouche XWFE .....	44
Données de performance .....	45
Assistance à la clientèle .....	48

\*Modèles sélectionnés seulement

Écrivez ici le numéro de modèle et  
le numéro de série :

Modèle # \_\_\_\_\_

Série # \_\_\_\_\_

Vous les trouvez sur une étiquette  
dans le coin supérieur gauche du  
compartiment réfrigérateur.

## Manuel d'utilisation et d'installation

Modelos PVD et PXD

## FRANÇAIS

## **NOUS VOUS REMERCIONS D'ACCUEILLIR GE APPLIANCES CHEZ VOUS**

---

Que vous ayez grandi avec GE Appliances ou qu'il s'agisse de votre première acquisition, nous sommes heureux de vous accueillir dans notre famille.

Nous sommes fiers du savoir-faire, de l'innovation et de l'esthétique qui composent chaque appareil GE Appliances, et nous pensons que vous le serez aussi. Dans cette optique, nous vous rappelons que l'enregistrement de votre électroménager vous assure la communication de renseignements importants sur le produit et la garantie lorsque vous en avez besoin.

Enregistrez votre électroménager GE en ligne dès maintenant. Des sites Web et des numéros de téléphone utiles figurent dans la section Soutien au consommateur de ce manuel d'utilisation. Vous pouvez aussi poster la fiche de garantie pré-imprimée incluse dans l'emballage.



**GE APPLIANCES**

# INFORMATION DE SÉCURITÉ IMPORTANTES

## LISEZ TOUTES LES DIRECTIVES AVANT D'UTILISER L'APPAREIL

**⚠ AVERTISSEMENT** Pour réduire le risque d'incendie, d'explosion, de choc électrique ou de blessures lorsque vous utilisez votre réfrigérateur, veuillez suivre ces consignes de sécurité :

- Ce réfrigérateur doit être correctement installé conformément aux Consignes d'Installation avant toute utilisation.
- Débranchez le réfrigérateur avant d'effectuer une réparation ou de le nettoyer.  
**Remarque** : L'alimentation du réfrigérateur ne peut être déconnectée par aucune des fonctions sur le panneau de commande.  
**Remarque** : Les réparations doivent être effectuées par un professionnel qualifié.
- Remettez toutes les pièces et panneaux en place avant d'utiliser l'appareil.
- N'utilisez pas un cordon de rallonge.
- Gardez les matériaux et vapeurs inflammables loin du réfrigérateur.
- N'entreposez pas dans cet électroménager des substances explosives telles que des bombes aérosols qui contiennent un gaz propulseur.
- Pour éviter les risques d'asphyxie et d'enfermement pour les enfants. Démontez les portes du congélateur et du compartiment de réfrigération avant de le mettre au rebut ou d'interrompre son utilisation.
- Afin de prévenir les accidents graves ou la mort, les enfants ne doivent pas se tenir ni jouer dans ou sur l'électroménager.
- Les enfants et les personnes dont les capacités sont réduites sur le plan physique, sensoriel ou mental, ou qui manquent d'expérience ou de connaissances, peuvent utiliser cet électroménager seulement si elles sont surveillées ou ont reçues des consignes de sécurité sur son usage et les risques y sont associés.
- Cet électroménager est conçu pour une utilisation domestique et applications similaires : salle du personnel dans une usine, un bureau ou d'autres lieux de travail; maison de ferme; clients dans un hôtel, un motel, un gîte touristique et d'autres lieux résidentiels; approvisionnement et applications similaires non reliées au commerce de détail.
- Raccordez-vous à une alimentation en eau potable seulement. Une alimentation en eau potable est requise pour le fonctionnement de la machine à glaçons. La pression d'eau doit se situer entre 40 et 120 psi (275 à 827 kilopascals).
- N'appliquez pas de nettoyants corrosifs sur le réfrigérateur. Certains nettoyants endommagent le plastique et peuvent ainsi causer le détachement inopiné de pièces telles que porte ou poignées de porte. Voyez la section Entretien et nettoyage pour des instructions détaillées.

**⚠ ATTENTION** Pour réduire le risque de blessures lorsque vous utilisez votre réfrigérateur, veuillez suivre ces consignes de sécurité.

- Ne nettoyez pas les clayettes ou les couvercles en verre avec de l'eau tiède quand ceux-ci sont froids. Les clayettes et couvercles en verre peuvent se casser s'ils sont exposés à des changements soudains de température ou si vous les cognez ou les faites tomber. Le verre trempé est conçu pour se briser en petits morceaux en cas de casse
- Éloignez les doigts des parties du congélateur où l'on peut facilement se pincer : les espaces entre les portes, et entre les portes et les placards sont toujours étroits. Soyez prudent lorsque vous fermez les portes en présence d'enfants.
- Ne recongelez pas les aliments surgelés qui ont complètement dégelé.
- Ne touchez pas les surfaces froides du congélateur lorsque vous avez les mains humides ou mouillées. La peau risque d'adhérer à ces surfaces extrêmement froides.
- Si votre réfrigérateur est doté d'une machine à glaçons automatique, évitez le contact avec les pièces mobiles du mécanisme éjecteur, ou avec l'élément chauffant qui libère les glaçons. Ne posez pas les doigts ou les mains sur le mécanisme de la machine à glaçons automatique pendant que le réfrigérateur est branché.

**⚠ AVERTISSEMENT**  **RISQUE D'INCENDIE OU D'EXPLOSION**

Conservez les matériaux et les vapeurs inflammables à l'écart du réfrigérateur. Une explosion, un incendie voire la mort pourrait en résulter.

**⚠ AVERTISSEMENT**  **RISQUE DE BASCULEMENT**

Les modèles PJD, PJE, PXD, CJE et CXE sont lourds du haut, surtout lorsque les portes sont ouvertes. Ces modèles sont munis d'un support antibasculement fourni avec votre réfrigérateur, lequel doit être installé et solidement fixé à la structure de la maison afin de prévenir un basculement vers l'avant, ce qui pourrait entraîner des blessures graves ou la mort. Lisez et observez la totalité des instructions d'installation pour installer le support antibasculement de plancher fourni avec votre réfrigérateur.

## LIRE ET CONSERVER CES INSTRUCTIONS

# INFORMATION DE SÉCURITÉ IMPORTANTES

## LISEZ TOUTES LES DIRECTIVES AVANT D'UTILISER L'APPAREIL

### ⚠ AVERTISSEMENT



### RISQUE D'INCENDIE OU D'EXPLOSION

#### Fluide frigorigène inflammable

Cet électroménager contient le réfrigérant isobutane, aussi connu comme R600a, un gaz naturel à compatibilité élevée avec l'environnement. Il s'agit cependant d'un combustible. Observez les consignes de sécurité ci-dessous afin de réduire le risque de blessure ou de dommage à la propriété.

1. Lors de la manipulation, de l'installation et de l'utilisation de cet appareil, prenez soin de ne pas endommager les tubes de circulation du fluide frigorigène.
2. L'entretien ou la réparation doivent être effectués par un personnel de service autorisé. Utilisez seulement des pièces de rechange autorisées par le fabricant.
3. Mettez le réfrigérateur au rebut conformément aux réglementations fédérales et locales. Le fluide frigorigène inflammable et le matériel isolant utilisés nécessitent des procédures de mise au rebut spéciales. Communiquez avec les autorités locales compétentes pour la mise au rebut de votre réfrigérateur sans danger pour l'environnement.
4. N'obstruez pas les événements dans l'enceinte prévue pour l'appareil.
5. Pour retirer le givre, grattez à l'aide d'un grattoir ou d'une spatule en plastique ou en bois. N'utilisez pas un pic à glace ni un instrument métallique ou aux arêtes coupantes car il y a risque de percer la doublure du congélateur et la tubulure du réfrigérant inflammable derrière elle.
6. N'utilisez pas d'appareils électriques dans le compartiment réfrigérateur de cet appareil.
7. N'utilisez aucun appareil électrique pour dégivrer votre congélateur.

## BRANCHEMENTS ÉLECTRIQUES

### ⚠ AVERTISSEMENT



### RISQUE DE CHOC ÉLECTRIQUE

Branchez l'appareil dans une prise triple avec terre.

Ne retirez pas la broche de terre.

N'utilisez pas d'adaptateur.

N'utilisez pas un cordon de rallonge.

Le non-respect de ces instructions peut entraîner des risques d'incendies, des chocs électriques ou la mort.

**Ne coupez pas ou n'enlevez pas, sous aucun prétexte, la troisième broche de mise à la terre du cordon d'alimentation. Pour des raisons de sécurité, cet appareil doit être correctement mis à la terre.**

Le cordon d'alimentation de cet appareil est équipé d'une fiche à trois broches (pour une mise à la terre) qui s'adapte à la prise de courant standard à 3 broches (pour une mise à la terre) pour minimiser les risques de chocs électriques par cet appareil.

Faites vérifier la prise murale et le circuit électrique par un électricien qualifié pour s'assurer que le système est correctement mis à la terre.

Dans le cas d'une prise biphasée, l'installateur a la responsabilité et l'obligation de la remplacer par une prise triphasée correctement mise à la terre. N'utilisez pas d'adaptateur.

Le réfrigérateur doit toujours être branché à sa propre prise électrique d'une tension nominale correspondant à celle indiquée sur sa plaque signalétique.

Une alimentation électrique à 115 volts CA, 60 Hz, avec un fusible de 15 ou 20 ampères et une mise à la terre est nécessaire. Ceci permet d'obtenir un meilleur rendement et évite de surcharger les circuits électriques du domicile qui risque d'occasionner un incendie en surchauffant.

Ne débranchez jamais le réfrigérateur en tirant sur le cordon d'alimentation. Prenez toujours fermement la fiche en main et tirez pour la sortir de la prise.

Réparez ou remplacez immédiatement tout cordon électrique usé ou endommagé. N'utilisez pas un cordon fissuré ou présentant des dommages dus aux frottements soit sur sa longueur ou aux extrémités.

Lorsque vous éloignez votre réfrigérateur du mur, faites attention à ne pas le faire rouler sur le cordon d'alimentation afin de ne pas l'endommager.

## LIRE ET CONSERVER CES INSTRUCTIONS

# INFORMATION DE SÉCURITÉ IMPORTANTES

## LISEZ TOUTES LES DIRECTIVES AVANT D'UTILISER L'APPAREIL

### MISE AU REBUT APPROPRIÉE DE VOTRE ANCIEN RÉFRIGÉRATEUR

#### **⚠ DANGER** RISQUE DE SUFFOQUER OU D'Y ÊTRE EMPRISONNÉ

Le non-respect de ces instructions d'élimination peut entraîner la mort ou des blessures graves.

**IMPORTANT:** Les enfants pris au piège ou morts d'asphyxie sont toujours d'actualité. Les réfrigérateurs et congélateurs abandonnés sont toujours aussi dangereux, même si on n'attend que «quelques jours» pour s'en débarrasser. Si vous ne gardez pas votre ancien réfrigérateur ou congélateur, veuillez suivre les directives ci-dessous afin de prévenir les accidents.

#### **Avant de vous débarrasser de votre ancien appareil :**

- Démontez les portes du compartiment de réfrigération et du compartiment de congélation.
- Laissez les clayettes en place afin d'empêcher les enfants de grimper à l'intérieur.

#### **Mise au rebut des produits réfrigérants et en mousse**

Mettez l'électroménager au rebut conformément à la réglementation fédérale et locale. Le réfrigérant inflammable ainsi que le matériau d'isolation utilisés exigent des procédures d'élimination particulières. Communiquez avec les autorités locales pour connaître la façon de mettre votre électroménager au rebut qui soit respectueuse de l'environnement.

## LIRE ET CONSERVER CES INSTRUCTIONS

# Fonctions

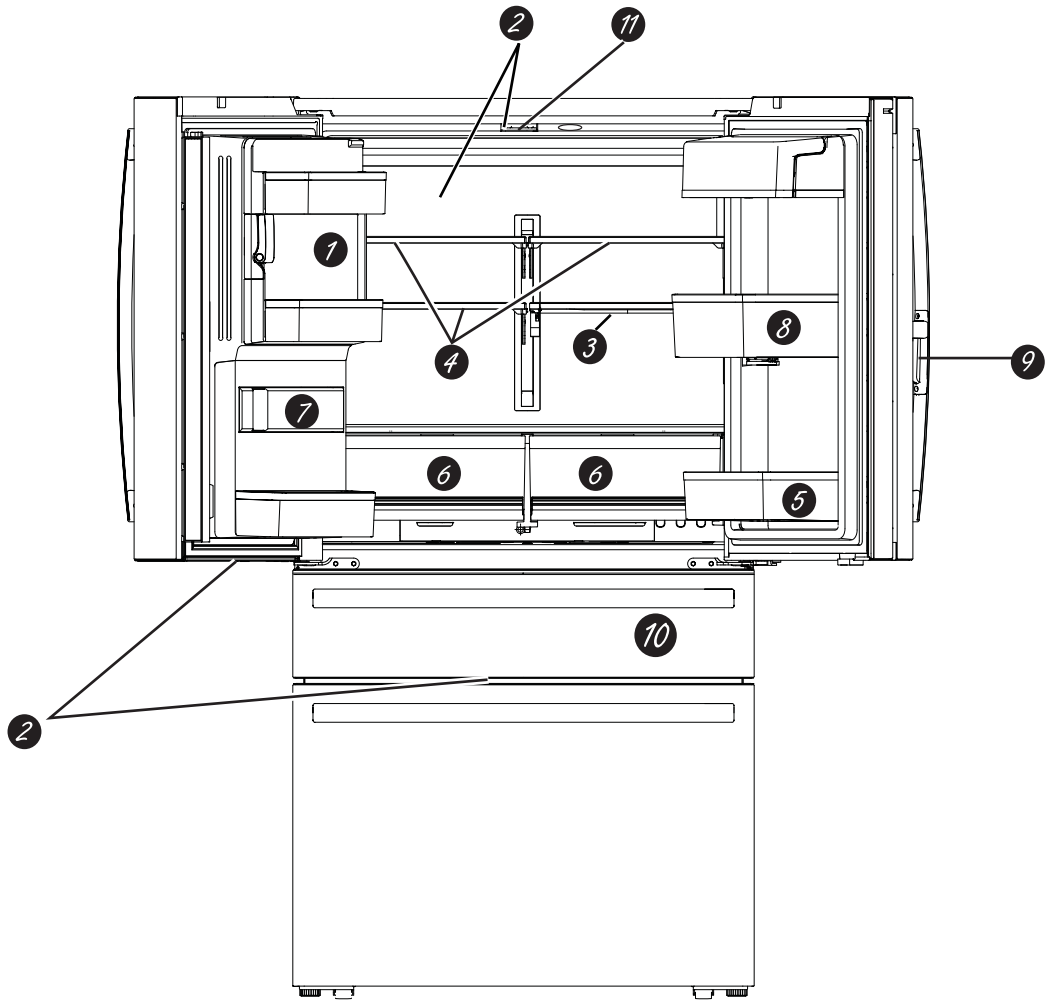
Modèles Profile PVD28, PXD22, PVD28H, PXD22H

assemblage de l'affichage de porte



12

13



**1 Machine à glaçons à faible encombrement**

La machine à glaçons et son bac sont situés sur la porte permettant d'avoir un espace de stockage plus spacieux.

**2 Éclairage DEL général**

L'éclairage à DEL est placé dans tout le compartiment pour éclairer différentes zones du réfrigérateur. Des DEL sont situées sous la porte réfrigérateur afin d'éclairer le tiroir convertible, et des DEL se trouvent sous le tiroir convertible pour éclairer le tiroir congélateur.

**3 Clayette QuickSpace**

Elle s'utilise comme une clayette normale de pleine largeur. Elle se glisse vers l'arrière pour stocker des produits hauts.

**4 Clayettes anti-débordements**

Conçues pour empêcher les aliments renversés de couler et permettre ainsi un nettoyage facile.

**5 Balconnet amovible**

On peut le retirer lorsque l'ouverture de porte est limitée par un mur.

**6 Bac climatisé**

SBacs distincts pour le stockage de fruits et légumes frais.

**7 Filtre à eau**

Filtre l'eau et la glace. Certifié pour réduire les kystes résistants au chlore, le plomb, certains produits pharmaceutiques, et plus encore. Pour obtenir des instructions de remplacement du filtre, reportez-vous à la page 14.

**8 Bac pivotant (certains modèles)**

Ce bac pivote vers l'extérieur pour faciliter l'accès.

**9 Loquet pour porte dans la porte (sur certains modèles)**

Appuyez sur le loquet sous la poignée pour ouvrir la porte extérieure.

**10 Tiroir convertible**

Réglez la meilleure température pour ranger vos aliments.

**11 Caméra Fridge Focus (sur PVD28H et PXD22H)**

La position de la caméra s'ajuste d'avant en arrière, et le volet de confidentialité peut être utilisé en le faisant glisser sur le côté.

**12 Haut-parleur (sur PVD28H et PXD22H)**

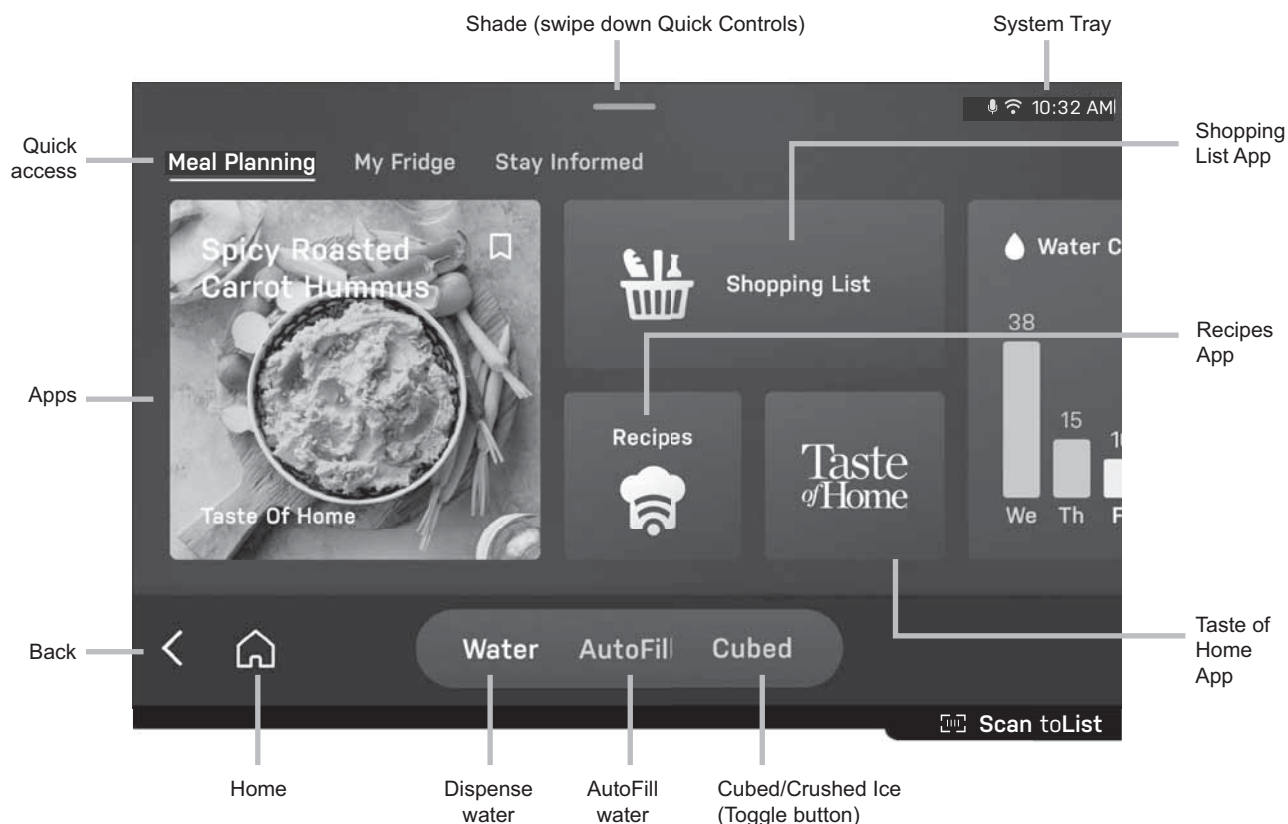
Produit un son net et précis, ce qui facilite l'écoute des voix, de la musique et des notifications.

**13 Numérisation vers liste (sur PVD28H et PXD22H)**

Lecteur de codes-barres pour numériser les codes-barres.

# Fonctions

## Modèles Profile PVD28H, PXD22H








### Personnalisation de Votre Réfrigérateur

#### Accès aux Réglages

- Touchez et maintenez la barre grise en haut de l'affichage.
- Faites glisser vers le bas pour ouvrir le panneau des paramètres.

#### Commandes Rapides

- **Statut SmartHQ** : Consultez l'icône dans le coin supérieur gauche pour vérifier votre état de connexion dans SmartHQ.
- **Lumière** : Touchez l'icône « Light » pour allumer ou éteindre la lumière du distributeur.
- **Verrouiller** : Touchez l'icône Lock (verrouillage) pour activer ou désactiver le Control Lock (verrouillage des commandes).
- **Microphone** : Touchez l'icône Microphone pour activer ou désactiver le microphone.
  - (Désactiver le microphone désactive les commandes vocales.)
- **Volume** : Ajustez le volume du média en déplaçant le curseur Volume au niveau souhaité.
- **Luminosité de l'écran**: Ajustez la luminosité de l'affichage en déplaçant le curseur Brightness (« Luminosité »).
- **Réglages**: Ajustez tous les réglages sur l'appareil ou à l'écran. (voir plus de détails ci-dessous.)
- **Ambient**: Activez rapidement l'écran Ambient pour voir vos arrière-plans personnalisés et vos widgets.
- **Alertes**: Accédez à votre liste historique de notifications qui s'affichent sur votre appareil.

### Commandes du Réfrigérateur:

- **Température du Réfrigérateur**: Appuyez sur « + » ou « - » pour régler entre 34 °f (1 °c) et 42 °f (6 °c).
- **Réglages du Tiroir**: Sélectionnez l'un des modes suivants : Meat (viande) : 29 °F (-1,7 °C) Beverages (boissons) : 33 °F (0,6 °C) Snacks (collations) : 37 °F (2,8 °C) Wine (vin) : 42 °F (5,6 °C)
- **Température du Congélateur**: Appuyez sur « + » ou « - » pour régler entre -6 °F (-21 °C) et 5 °F (-15 °C).  
Ice Maker: sélectionnez On (marche) ou Off (arrêt) pour démarrer ou arrêter la production de glace.

#### Éclairage:

- **Mur d'Éclairage à DEL Showcase**: Allumez ou éteignez et réglez la luminosité à l'aide du curseur de gradation.
- **Capteur de Présence**: Sélectionnez On (marche) ou Off (arrêt)
- **Éclairage du Capteur du Distributeur**: Sélectionnez On (marche) ou Off (arrêt) (Lorsqu'elle est activée, la lumière du distributeur s'allume automatiquement lorsque vous vous approchez du réfrigérateur)

#### Avancé:

- **Unités de Température**: Sélectionnez Fahrenheit (°F) ou Celsius (°C)
- **Mode Sabbath (Sabbat)**: Accédez à Paramètres > Sabbath pour activer le mode Sabbath. Maintenez une pression sur l'écran pendant 10 secondes pour quitter.
- **Systèmes de Refroidissement**: Activez ou désactivez les systèmes de refroidissement (avant de désactiver le système de refroidissement, videz le réfrigérateur. Cette fonction est recommandée pour les longues périodes d'inutilisation, comme les vacances ou un nettoyage en profondeur, afin d'aider à économiser l'énergie.)

# Fonctions

## Modèles Profile PVD28H, PXD22H

**FridgeFocus** : Activer ou désactiver les instantanés internes du réfrigérateur

**Scan-to-List (Nécessite une connexion Wi-Fi et un identifiant SmartHQ)**

- **Scan-to-List:** Activez ou désactivez le lecteur de codes-barres.
- **Scanner Target Light:** Allumer ou éteindre la lumière du lecteur de codes-barres
- **Ajout Automatique à la Aiste Après la Numérisation:** Activer ou désactiver l'ajout automatique des articles numérisés à votre liste.

**Système:**

- **À propos** – trouvez des détails sur les versions logicielles.
- Emplacement
- Réglages de l'heure et de la date.
- **Mode service** – réservé aux techniciens de service.
- **Mode salle d'exposition** – réservé uniquement aux détaillants.
- **Effacer les données utilisateur** – effacez rapidement toutes les données utilisateur enregistrées sur l'appareil et déconnectez-vous du Wifi.

**Réinitialisation de l'interface** – si une réinitialisation est nécessaire, déverrouillez simplement l'interface utilisateur du Convertible Drawer ( tiroir convertible), puis appuyez simultanément sur les boutons Meat (viande) et Snack (collation) pendant 3 secondes pour lancer le redémarrage de l'interface. Cette opération prendra quelques minutes.

**Connectez-vous à SmartHQ**

- Téléchargez l'application SmartHQ à partir de l'App Store.



- Connectez-vous à SmartHQ pour voir votre réfrigérateur dans l'application et profiter pleinement des avantages de la connexion.
- Connectez votre réfrigérateur à partir de l'affichage en sélectionnant TOUTE fonctionnalité nécessitant une connexion pour commencer, comme « Shopping List » (liste d'achats) ou « Recipes » (recettes). Suivez les instructions à l'écran pour connecter votre réfrigérateur à votre compte SmartHQ.

**Affichage et Apparence**

- **Luminosité:** Réglez le niveau de luminosité de l'écran en ajustant la barre de luminosité dans les paramètres Shade.
- Icône tactile Marche/Arrêt pour le mode Energy saver (économie d'énergie) Marche/Arrêt (Ce mode permet de personnaliser les heures programmées d'activation et de désactivation du mode Energy saver sur votre affichage)

**Mode Ambient:**

- Groupe Horloge (ajoutez ou retirez la date et la météo

ensemble ou individuellement)

- Widgets (ajoutez ou retirez les widgets Météo et Recettes ensemble ou individuellement à l'écran d'accueil)

**Arrière-plan:**

- Sélectionnez « Backdrop(s) » parmi les options pour personnaliser l'image d'arrière-plan de votre écran ambiant.

**Sons et Alertes**

- **Volume du média:** Réglez le volume au besoin en ajustant la barre de volume.
- **Volume de l'interface:** Modifiez le volume de l'interface à Off (arrêt), Low (faible), Med (moyen) ou High (élevé) selon vos besoins.
- **Signal Sonore Tactile:** Activez ou désactivez le signal sonore tactile
- **Time Alert:** Règle le niveau sonore des tonalités du système, des minuteries et des alertes.

**Voix et Microphone:**

- **Microphone:** Activer/désactiver le microphone (la désactivation empêchera l'utilisation des commandes vocales)
- S'il y a 2 appareils dans la même cuisine qui prennent en charge « Hey HQ », vous devriez en mettre un en mode sourdine afin d'éviter que les deux ne répondent en même temps.
- Utilisez « Hey HQ » comme mot d'activation pour exécuter des commandes :
  - « quel filtre dois-je acheter »
  - « ajoutez des pommes à ma liste d'achats. »
  - « donnez-moi 591 ml (20 oz) d'eau »
  - « démarrez Turbo Cool. »

**Numérisation de Code-Barres:**

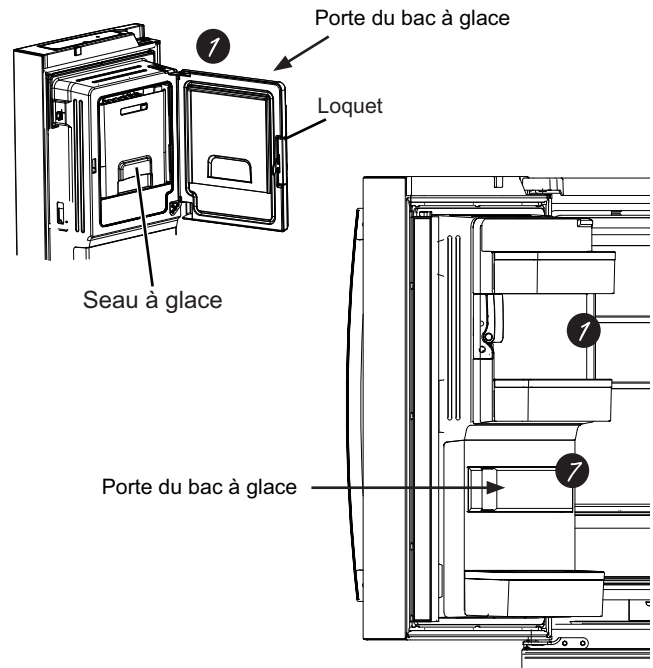
- Le lecteur de codes-barres comprend un témoin lumineux DEL pour aider les utilisateurs à aligner le code-barres avec le lecteur.
- Cette DEL n'est pas un laser et a été testée conformément à la norme industrielle IEC 62471, qui évalue la sécurité photobiologique des lampes et des systèmes de lampes, même en cas d'exposition rétinienne prolongée.
- La DEL n'est pas nécessaire au fonctionnement du lecteur de codes-barres. Si vous préférez l'éteindre pour quelque raison que ce soit, vous pouvez le faire dans le menu des paramètres de l'appareil sans nuire à la performance du lecteur.
- L'option « Scan-to-List » permet d'activer ou de désactiver le lecteur.
- Lumière de ciblage du lecteur – Un point vert qui vous aide à aligner le code-barres avec le lecteur.
- Ajout automatique à la liste : ajoute automatiquement les articles à votre liste d'achats lors de la numérisation.
- Seules les étiquettes à code-barres unidimensionnel sont prises en charge. Les codes QR et certains autres formats ne sont pas pris en charge.

## Retrait du Bac à Glaçons de la Porte

1. Ouvrez la porte gauche du compartiment de réfrigération.
2. Tirez le loquet vers le bas pour ouvrir la porte du bac.
3. A l'aide de la poignée, soulevez le seau à glace pour libérer les repères au fond du bac.
4. Pour remettre le seau à glace, placez-le sur les guides et enfoncez-le jusqu'à ce qu'il soit correctement en place.
5. Si vous n'arrivez pas à le remettre, faites tourner la fourche d'1/4 de tour dans le sens des aiguilles d'une montre.

## Filtre à eau/à glace

Certifié pour la réduction des oocystes résistants au chlore, du plomb, de produits pharmaceutiques choisis et plus. Pour des instructions sur le remplacement aisé du filtre, voyez la page 13.



# Contrôles

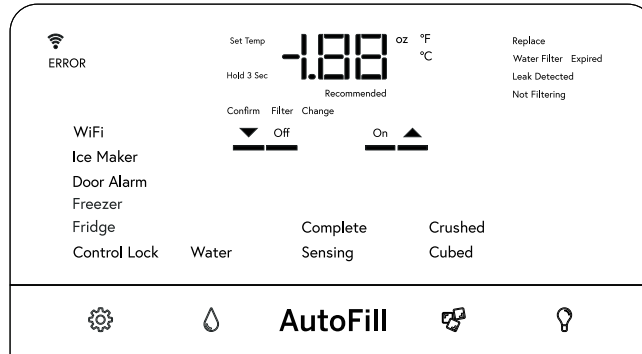
## MODÈLES CAFÉ PRO QUATRE PORTES ET CAFÉ MINIMAL QUATRE PORTES À L'ASPECT VITRIFIÉ

Nous mettons constamment à jour notre logiciel. Veuillez vous reporter au manuel d'utilisation complet en ligne pour connaître la fonction la plus récente sur visitez [Electromenagersge.ca](http://Electromenagersge.ca)

Le réfrigérateur est livré avec une pellicule protectrice qui recouvre les commandes. Si la pellicule n'a pas été retirée lors de l'installation, retirez-la maintenant.

Les réglages de température recommandés, préréglés à l'usine, sont 37 °F (3 °C) pour le réfrigérateur et 0 °F (-18 °C) pour le congélateur.

### PVD28B, PXD22B



## Modification de la température

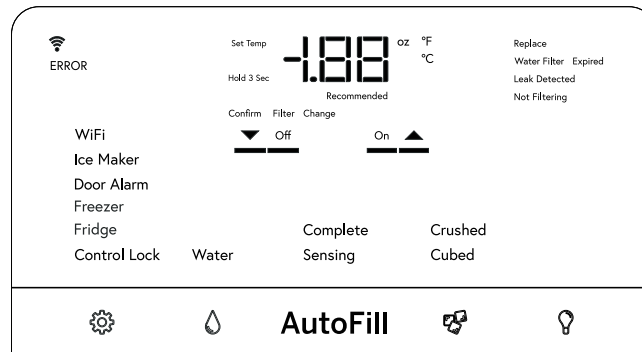
### Pour modifier la température du réfrigérateur :

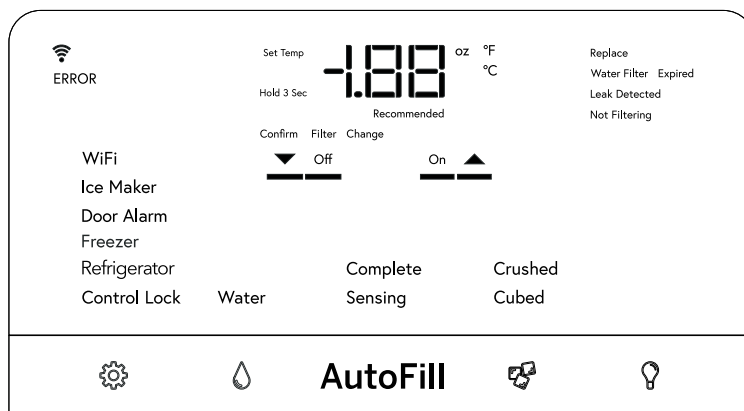
Pressez le bouton **Settings** (fonctions) (⚙️) jusqu'à ce que le mot « Fridge » (réfrigérateur) s'allume. Pressez les boutons des flèches vers le haut ou le bas pour augmenter ou diminuer les réglages de température.

### Pour modifier la température du congélateur :

Pressez le bouton Settings (fonctions) (⚙️) jusqu'à ce que « Freezer » (congélateur) s'allume. Pressez les boutons des flèches vers le haut ou le bas pour augmenter ou diminuer les réglages de température.

On peut désactiver le système de refroidissement en pressant le bouton Settings (fonctions) (⚙️) jusqu'à ce que le mot « Fridge » (réfrigérateur) ou « Freezer » (congélateur) s'allume. Maintenez simultanément une pression sur les boutons des flèches vers le haut et le bas durant 3 secondes. Le signe « - - » s'affiche lorsque le système est désactivé. La désactivation du système de refroidissement fait cesser le refroidissement du réfrigérateur, mais ne coupe pas l'alimentation électrique. On peut activer le système de refroidissement en retournant à la fonction « Fridge » (réfrigérateur) ou « Freezer » (congélateur) et en pressant le bouton On (marche).





**Fonctions (⚙️) (icône roue dentelée)** - Pressez pour faire défiler les fonctions du réfrigérateur.

- **Control Lock (verrouillage des commandes)** - Pressez ON (marche) ou OFF (arrêt) pour activer. Maintenez une pression sur Off durant 3 secondes pour désactiver.
- **Fridge (réfrigérateur)** - Pressez les boutons Haut ou Bas pour augmenter ou diminuer la température de 34 °F(1 °C) à 42 °F (6 °C).
- **Freezer (congélateur)** - Pressez les boutons Haut ou Bas pour augmenter ou diminuer la température de -6°F(-21°C) à 5°F (-15°C).
- **Door Alarm (alarme de porte)** - Déclenche une alarme lorsque les portes du congélateur ou du réfrigérateur sont laissées ouvertes. Éteignez l'alarme en appuyant sur l'une des touches. Appuyez sur « ON » ou « Off » pour activer ou désactiver l'alarme de porte pendant qu'une alarme est inactive.
- **Ice Maker (machine à glaçons)** - Pressez On ou Off pour démarrer/arrêter la machine à glaçons.
- **WiFi (Wi-Fi)** - Appuyez sur « On » pour commencer la procédure de connexion Wi-Fi selon les instructions de la page 12. Appuyez sur « Off » pour désactiver le Wi-Fi. Notez que le redémarrage du Wi-Fi exige que vous recommenciez la procédure de connexion Wi-Fi.

Modèles porte dans la porte Profile PVD18, PXD22 GE avec Wi-Fi intégré

Modèles GVE28 de GE prêt pour la connexion

**Water (💧) (eau)**- Pressez pour sélectionner Ice (glace) ou Water (eau) à distribuer sur pression de la palette.

**AutoFill\* (remplissage automatique)** - Pressez pour activer la détection automatique qui activera le distributeur.

**Ice (🧊) (glace)** - Pressez pour sélectionner Crushed (glace pilée) ou Cubed (glaçons) à distribuer sur pression de la palette.

**Light (💡) (éclairage)** - Pressez pour éclairer le distributeur. Un carillon accompagnera chaque pression.

#### Fahrenheit / Celsius:

On peut basculer l'affichage de la température entre Fahrenheit et Celsius. Pressez le bouton Settings (fonctions) (⚙️) pour naviguer à « Fridge » (réfrigérateur) ou « Freezer » (congélateur), puis maintenez une pression sur les boutons Ice (glace) et Light (lampe) durant trois secondes.

#### Contrôle du volume sonore :

On peut régler le volume de l'alerte de High (haut) à Low (bas) et Off (désactivé). Pressez le bouton Settings (fonctions) (⚙️) pour naviguer à « Icemaker » (machine à glaçons), puis maintenez une pression sur les boutons Ice (glace) et Light (lampe) durant trois secondes.

#### Mode Sabbat :

Pressez simultanément les boutons Settings (fonctions) (⚙️), Water (eau) et Light (lampe) durant trois secondes pour entrer dans le mode Sabbat et en sortir.

## TIROIR CONVERTIBLE

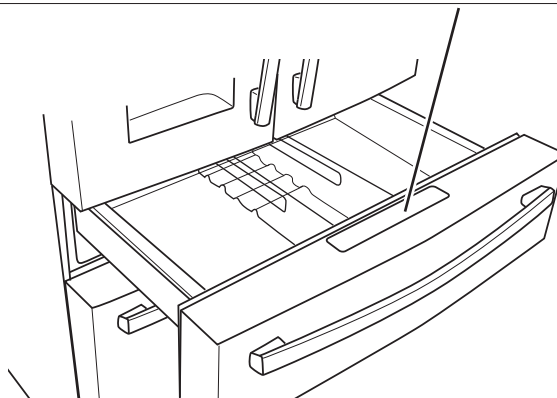
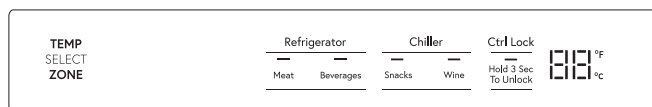
La température dans le tiroir convertibles est sélectionnée en pressant le type d'aliment à conserver dans le tiroir.

Les températures correspondantes sont :

Meat (moi à)	29°F (-2°C)
Beverages (breuvages)	33°F (1°C)
Snacks (des collations)	37°F (3°C)
Wine (vin)	42°F (6°C)

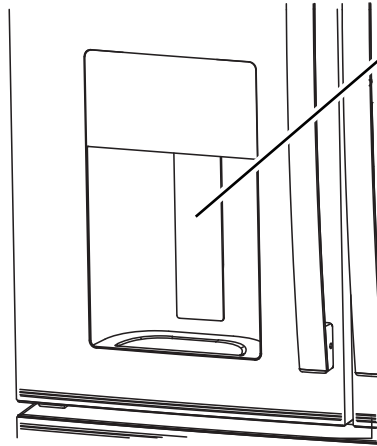
Le réglage de température est verrouillé par défaut. Il faut presser le bouton durant 3 secondes pour déverrouiller.

Le fait de maintenir plusieurs touches enfoncées réinitialisera l'affichage.



\*Modèles sélectionnés seulement

# Distributeur



**Distributeur d'eau et de glace**  
(Consulter la section sur les paramètres de température et les fonctions de contrôle)

## ⚠ AVERTISSEMENT Risque de laceration

- N'introduisez jamais les doigts ou tout autre objet dans l'ouverture de sortie du broyeur de glace. Vous risqueriez de toucher les lames du broyeur de glace et entraîner des blessures graves, voire une amputation.
- Utilisez un verre robuste lorsque vous prenez les glaçons. Un verre fragile pourrait se casser et occasionner une blessure.

Si l'eau n'est pas distribuée lorsque le réfrigérateur vient d'être installé, il y a peut-être de l'air dans le conduit d'eau. Appuyez sur le bras du distributeur pendant au moins cinq minutes pour purger l'air contenu dans le conduit d'alimentation en eau et ainsi remplir ce dernier d'eau. Afin d'éliminer les impuretés du système, jetez les six premiers verres d'eau.

## Informations importantes concernant votre distributeur

- N'ajoutez pas de glaçons provenant des bacs ou de sac à glaçons au seau de la machine à glaçons de la porte. Ils peuvent être difficile à piler ou à distribuer.
- Évitez de trop remplir les verres de glaçons et d'utiliser des verres étroits. La glace accumulée peut bloquer le conduit ou peut geler le volet en position fermée. Si des glaçons bloquent le conduit, retirer le seau à glace et faites-les passer à l'aide d'une cuillère en bois.
- Ne placez pas de boisson ou d'aliment dans le bac de la machine à glaçons pour les refroidir rapidement. Les canettes, bouteilles et paquets alimentaires peuvent bloquer la machine à glaçons ou la vis sans fin.
- Pour éviter que la glace distribuée ne manque le verre, placez ce dernier à proximité de l'ouverture du distributeur, mais sans la toucher.
- Il est possible que de la glace pilée soit distribuée même si vous avez choisi CUBED. Cela se produit de temps à autre lorsque plusieurs glaçons sont accidentellement acheminés vers le broyeur.
- Après distribution de glace pilée, de l'eau peut s'écouler du conduit.
- Parfois, un peu de givre se forme sur le volet du conduit à glace. Ce phénomène est normal et se produit en général après des distributions répétées de glace pilée. Le givre va éventuellement s'évaporer.

## AUTOFILL\* (Remplissage Automatique)

### Pour utiliser le remplissage automatique mains libres :

- Centrez le récipient sur la grille du distributeur aussi loin que possible sans activer le bras palpeur, puis retirez la main du récipient.
- Appuyer sur **AUTOFILL**

### Pour arrêter le Remplissage automatique

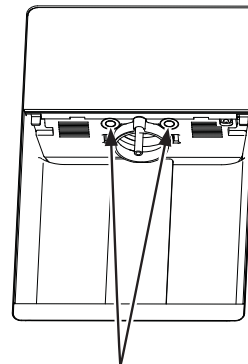
- Appuyez sur l'une des touches, y compris AutoFill (remplissage automatique), pour arrêter.

### Faits importants à propos du AUTOFILL (Remplissage automatique)

- Pour obtenir des résultats optimaux, utiliser un récipient uniforme d'une hauteur de 10 à 20 cm (4 à 8 po.) et d'une largeur de 5 à 15 cm (2 à 6 po.)
- Le niveau de remplissage et la fonctionnalité peuvent varier dans le cas de récipients dont la longueur excède 20 cm (8 po) ou la largeur, 15 cm (6 po).
- Le volume des récipients pourrait également varier. Si le mot « ERROR » (erreur) apparaît, essayez un contenant différent.
- Le remplissage automatique prendra fin automatiquement après un certain temps.
- Une poignée, des pailles, ou d'autres garnitures sur le rebord du récipient pourraient entraîner un débordement ou des variations du volume de remplissage. L'utilisation

d'un mélange à boisson en poudre avant AUTOFILL peut entraîner une diminution de la performance.

- Des éclaboussures pourraient se produire selon la position du récipient, le débit d'eau, la forme du récipient et la présence de glaçons
- Nettoyer les capteurs régulièrement à l'aide d'un chiffon propre et humide, et ne pas vaporiser de liquide ni de nettoyant directement sur les capteurs.
- Le remplissage automatique fonctionne mieux si la pression d'eau de la résidence se trouve entre 414 et 689 kPa (60 et 100 psi).
- La glace dans le récipient peut influencer le volume de remplissage. En cas de problème, utilisez moins de glace.



Capteurs AutoFill

\*Modèles sélectionnés seulement

# Distributeur

## SECTION DE REMPLISSAGE PRÉCIS

Après avoir réglé le volume dans le menu Precise Fill (menu Remplissage précis), vous pouvez continuer de deux façons:

1. Utilisation du remplissage précis mains libres : lorsque le contenant est complètement inséré dans le renforcement et immobile, appuyez sur le bouton Dispense (« Dispenser ») dans le menu Precise Fill (« Remplissage précis »). L'appareil distribuera jusqu'à ce que le volume programmé ou la limite de détection du niveau soit atteint. Consultez la description de la fonction Autofill (« Remplissage

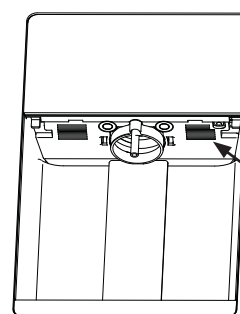
automatique ») à la page 12 pour connaître les contenants compatibles.

2. Utilisation de la palette — Appuyer sur la palette avec un contenant distribuera de l'eau jusqu'à ce que la quantité cible soit atteinte ou que la palette soit relâchée. Si le récipient est rempli avant d'atteindre le volume cible, vous pouvez remplacer le récipient ou le vider, puis appuyer de nouveau sur la palette pour continuer jusqu'à ce que la quantité sélectionnée soit atteinte.

## Bar Code Scanner

### Faits Importants Concernant la Lecture de Codes-Barres

- Des éclaboussures peuvent se produire selon l'emplacement du contenant, le débit d'eau, la forme du contenant et la présence de glaçons.
- Gardez la lentille du lecteur de codes-barres propre à l'aide d'un chiffon propre et humide, et ne vaporisez pas de liquide ni de nettoyant directement sur la lentille.
- La distance optimale pour la numérisation de l'étiquette variera selon le type d'étiquette, la taille et la lumière ambiante.



Lecteur de code-barres

## WiFi (pour les clients aux États-Unis, ses territoires et au Canada)

La présence d'une étiquette intitulée **Connected Appliance Information** sur votre réfrigérateur indique qu'il peut être connecté à votre réseau Wi-Fi et ainsi communiquer avec votre appareil mobile pour la surveillance, le contrôle et les notifications à distance.

Veuillez visiter [GEAppliances.com/connect](http://GEAppliances.com/connect) en apprendre davantage sur les fonctions de connexion pour électroménagers et les applications compatibles avec votre appareil mobile.

## RENSEIGNEMENTS RÉGLEMENTAIRES

### Déclaration de conformité de la FCC/IC :

Cet appareil est conforme aux prescriptions de la partie 15 des règles de la FCC. Le fonctionnement de cet équipement est assujéti aux deux conditions suivantes :

1. Cet appareil ne doit pas causer de brouillage préjudiciable.
2. Cet appareil doit accepter tout brouillage qu'il reçoit, y compris celui pouvant entraîner un fonctionnement indésirable.

**AVIS :** Les modifications non explicitement approuvées par le fabricant peuvent annuler le droit de l'utilisateur de se servir de cet équipement.

Cet appareil est conforme aux cahiers des charges sur les normes radioélectriques (CNR) exempts de licence d'Innovation, Sciences et Développement économique Canada. L'utilisation de cet équipement est assujéti aux deux conditions suivantes :

- (1) Cet appareil ne doit pas causer de brouillage; et
- (2) Cet appareil doit accepter tout brouillage, y compris celui pouvant entraîner un fonctionnement indésirable de l'appareil.

## Réponse à la demande (pour certains modèles)

Ce produit est doté d'une compatibilité Wi-Fi et nécessite une connexion Internet et un routeur sans fil pour permettre l'interconnexion avec un système de gestion d'énergie et/ou d'autres périphériques, systèmes ou applications extérieurs.

### Qu'est-ce que la réponse à la demande?

Certains fournisseurs varient leurs tarifs d'électricité en fonction du moment de la journée. D'autres offrent des programmes de réponse à la demande afin de réduire la consommation d'énergie durant certaines périodes de la journée. Et certains peuvent offrir les deux types de service. Ce réfrigérateur est doté d'une fonction de réponse à la demande pour faciliter la gestion de la consommation d'énergie.

### Utilisation de la réponse à la demande sans programme d'un fournisseur d'énergie

La fonction de réponse à la demande permet à l'utilisateur de déplacer les processus à haute consommation d'énergie (p.ex. le dégivrage) pour une période de 4 heures. Cette période correspond à la consommation moyenne d'énergie de pointe. La fonction de réponse à la demande est activée par l'application SmartHQ™ et nécessite cette dernière pour fonctionner. Cette fonction ne dépend pas du fournisseur local ni de sa capacité à varier ses tarifs d'électricité.

### Réponse à la demande avec votre fournisseur d'énergie

Si votre fournisseur offre un programme de réponse à la demande compatible, ce réfrigérateur peut modifier sa consommation d'énergie en fonction des commandes reçues de ce fournisseur. On peut utiliser l'SmartHQ™ pour outrepasser le programme de réponse à la demande, le cas échéant. Veuillez noter qu'il existe différents programmes de réponse à la demande, plusieurs n'étant pas compatibles avec les électroménagers de cuisine. Veuillez vérifier auprès de votre fournisseur d'énergie local.

Le niveau de réponse à la demande est affiché sur l'application mobile. Le mode temporisation de la charge de l'électroménager (DAL - Delay appliance load mode) réduit la consommation d'énergie en reportant le dégivrage et la production de glace de 4 heures. La réduction temporaire de la charge de l'électroménager (TALR - Temporary appliance load reduction) réduit la consommation d'énergie en reportant le dégivrage, la production de glace et le refroidissement de 10 minutes.

La consommation d'énergie estimée en Watt-heure (Wh) est affichée dans l'application mobile.

### Installation de la fonction de réponse à la demande

Installez l'SmartHQ™ d'après les instructions de la page précédente. Sélectionnez la page Demand Response (réponse à la demande) et choisissez les options disponibles pour ce service. L'application fournit plus de renseignements sur le fonctionnement de chaque option de la réponse à la demande.

### Protocoles de communication de la réponse à la demande

Le réfrigérateur utilise les protocoles standards ouverts IETF suivants pour la communication Wi-Fi. Consultez le manuel de l'utilisateur pour les dernières mises à jour des protocoles :

- <https://mqtt.org/mqtt-specification/>
- <http://docs.oasis-open.org/mqtt/mqtt/v3.1.1/os/mqtt-v3.1.1-os.html>

API GEA pour la réponse à la demande :

- Écrire l'état de la réponse à la demande (Inactif, DAL, et TALR)
- Obtenir l'état de la réponse à la demande (Inactif, DAL, TALR ou Delay Defrost [dégivrage différé])
- Obtenir la consommation d'énergie estimée en watt-heure.
- Obtenir l'événement pour « Door Open » (porte ouverte).
- Obtenir l'événement pour « High temperature alert » (alerte haute température).
- Écrire l'heure de départ et la durée de la réponse à la demande (DAL ou TALR).
- Obtenir l'heure de départ et la durée de la réponse à la demande (DAL ou TALR).
- Supprimer l'horaire de la réponse à la demande (DAL ou TALR).

# Cartouche XWFE du filtre

## Cartouche de filtre à eau

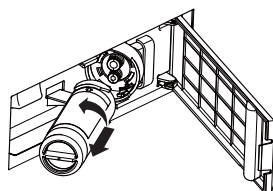
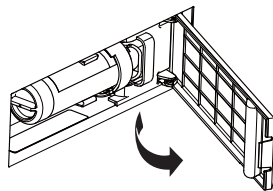
La cartouche de filtre à eau est située dans la porte réfrigérateur gauche derrière le panneau d'accès rectangulaire.

## Quand remplacer la cartouche de filtre à eau

Le message **Replace Water Filter** (remplacer le filtre à eau) sur le panneau de commande va s'allumer lorsque la cartouche de filtre à eau devra être remplacée bientôt. Le message **Water Filter Expired** (filtre à eau périmé) sur le panneau de commande va s'allumer lorsque la cartouche de filtre à eau doit être remplacée à brève échéance. La cartouche de filtre à eau peut être remplacée plus tôt si le débit d'eau du distributeur ou de la machine à glaçons diminue. Une fois que l'un ou l'autre message est illuminé, la distribution d'eau affichera **Confirm Filter Change** (confirmer le remplacement du filtre); ne confirmez que si le filtre a été remplacé.

## RETRAIT DU FILTRE

Si vous remplacez le filtre, retirez d'abord le précédent en agrippant le filtre avec soin et le tournant lentement vers la gauche sur environ ¼ de tour. Le filtre va se libérer automatiquement une fois tourné suffisamment vers la gauche. Une petite quantité d'eau pourrait dégoutter.



## ATTENTION

Si de l'air est emprisonné dans le système, la cartouche de filtre peut être éjectée lors de son retrait.

## BOUCHON DE DÉRIVATION DU FILTRE

Pour réduire le risque de dommage à la propriété en raison de fuites d'eau, vous DEVEZ utiliser un bouchon de dérivation du filtre lorsqu'une cartouche filtrante de rechange n'est pas disponible. Certains modèles ne sont pas dotés d'un bouchon de dérivation du filtre. Pour obtenir une prise de dérivation, appelez au 1-800-692-6630 et demandez la prise de dérivation no WR17X33825. Au Canada, appelez au 1-800-561-3344. Le distributeur et la machine à glaçons ne fonctionneront pas sans que ne soient installés le filtre ou le bouchon de dérivation. Le bouchon de dérivation s'installe de la même manière que la cartouche de filtre.

## AVERTISSEMENT

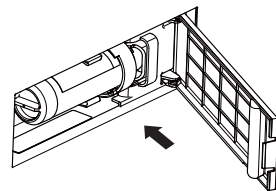
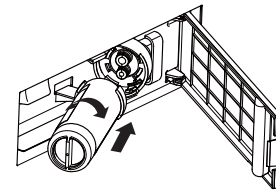
**Pour réduire le risque d'étouffement, ne laissez pas les enfants âgés de moins de 3 ans atteindre les petites pièces pendant l'installation du produit.** Le filtre à cartouche jetable doit être remplacé tous les 6 mois dans les conditions d'utilisation prescrites, ou plus tôt si une diminution évidente de son débit est observée.

Pour bénéficier au maximum de votre système de filtration, GE Appliances recommande l'utilisation de filtres de marque GE Appliances seulement. L'utilisation de filtres de marque GE Appliances avec des réfrigérateurs GE Appliances et Hotpoint® procure un rendement et une fiabilité optimaux. Les filtres GE Appliances satisfont les normes NSF rigoureuses de l'industrie relative à la sécurité et la qualité, facteur important pour les produits qui filtrent votre eau. GE Appliances n'a pas évalué le rendement des filtres d'autres marques dans les réfrigérateurs GE Appliances et Hotpoint et il n'existe aucune assurance qu'ils satisferont les normes de qualité, de rendement et de fiabilité GE Appliances.

**Pour toute question, ou pour commander des filtres à cartouche de rechange, visitez notre site Web au [gewaterfilters.com](http://gewaterfilters.com), ou pour joindre le service des Pièces et accessoires GE Appliances composez le 877.959.8688. (Canada 1.800.661.1616 ou [electromenagersge.ca/fr/produits/filtres-et-accessoires](http://electromenagersge.ca/fr/produits/filtres-et-accessoires)).**

## INSTALLATION DU FILTRE DANS UN RÉFRIGÉRATEUR À CONGÉLATEUR EN BAS

- Ouvrez le logement de la cartouche de filtre en tirant pour ouvrir la porte.
- Alignez les points d'accès du filtre sur ceux porte-filtre puis insérez délicatement le filtre.
- Tournez lentement le filtre vers la droite jusqu'à ce qu'il s'arrête. **NE PAS SERRER EXCESSIVEMENT.** Le filtre s'ajustera automatiquement à sa position à mesure que vous le tournez. Le filtre tournera d'environ ¼ de tour ou 90 degrés jusqu'à ce qu'il ne puisse plus tourner, étiquette orientée vers l'extérieur.
- Poussez lentement le filtre dans les pinces.
- Fermez le logement de la cartouche de filtre en poussant délicatement la porte jusqu'à ce que les languettes se verrouillent en place.
- Faites couler 2 gallons (9 litres) d'eau par le distributeur (environ 5 minutes) pour nettoyer le système. De l'eau peut jaillir et des bulles d'air peuvent être visibles pendant la procédure. Si l'eau ne s'écoule pas, assurez-vous que le filtre a été complètement tourné vers la droite.
- Lors de la distribution d'eau, pressez le bouton en dessous du message Confirm Filter Change (confirmer le remplacement du filtre). Si vous souhaitez changer le filtre à eau avant l'apparition du message, appuyez sur le bouton **Settings** (réglages) (⚙️) jusqu'à ce que le mot « Ice maker » (machine à glaçons) s'allume puis maintenez simultanément les boutons « Water » et « Ice » enfoncés pendant trois (3) secondes.



## Conditions d'application/Paramètres d'alimentation d'eau

Débit de service	0,5 g/m (1,89 L/m)
Alimentation d'eau	Eau potable
Pression d'eau	25-120 psi (172-827 kPa)
Température de l'eau	33 °F-100 °F (0,6 °C-38 °C)
Capacité	170 gallons (643,5 litres)

**Enregistrez-vous pour recevoir des RAPPELS TEXTUELS en textant REPLACE au 70543.**

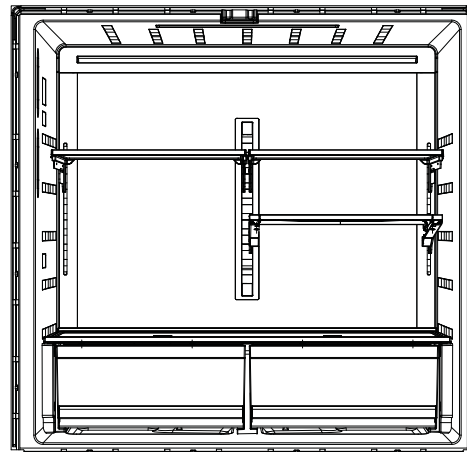
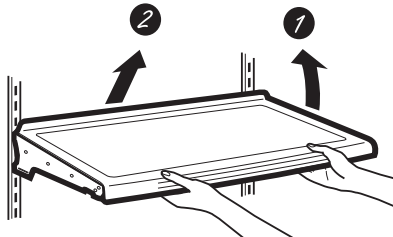
## Stockage des produits frais

### Réorganisation des clayettes

Les clayettes du réfrigérateur sont réglables.

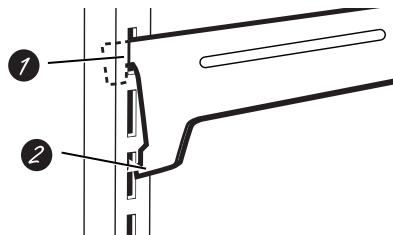
#### Pour les retirer :

- 1 Retirez tous les aliments de la clayette.
- 2 Soulevez l'avant de la clayette.
- 3 Soulevez l'arrière de la clayette et sortez-la du réfrigérateur.



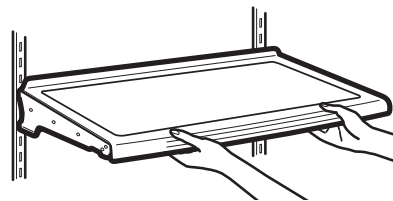
#### Pour le remettre en place :

- 1 Tout en inclinant la clayette, insérez le crochet supérieur à l'arrière de cette même clayette dans une fente du rail.
- 2 Abaissez l'avant de la clayette jusqu'à ce que le bas de celle-ci se positionne correctement.



### Clayettes anti-déversement

Les clayettes anti-déversement ont des bords adaptés pour éviter que les déversements ne s'écoulent sur les clayettes inférieures.

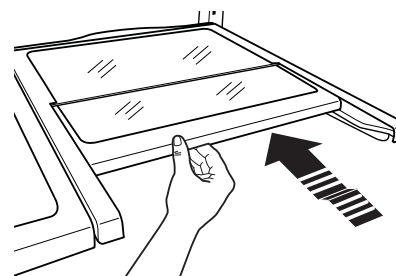


### Clayette QuickSpace

Cette clayette se partage en deux avec une partie qui s'escamote sous l'autre pour permettre le stockage des articles de grande taille posés sur la clayette inférieure.

Cette clayette peut être retirée et remplacée ou déplacée (tout comme les clayettes anti-déversement).

**REMARQUE :** La partie arrière de la clayette QuickSpace n'est pas réglable.



# Options de stockage du réfrigérateur

## Bacs de la porte droite

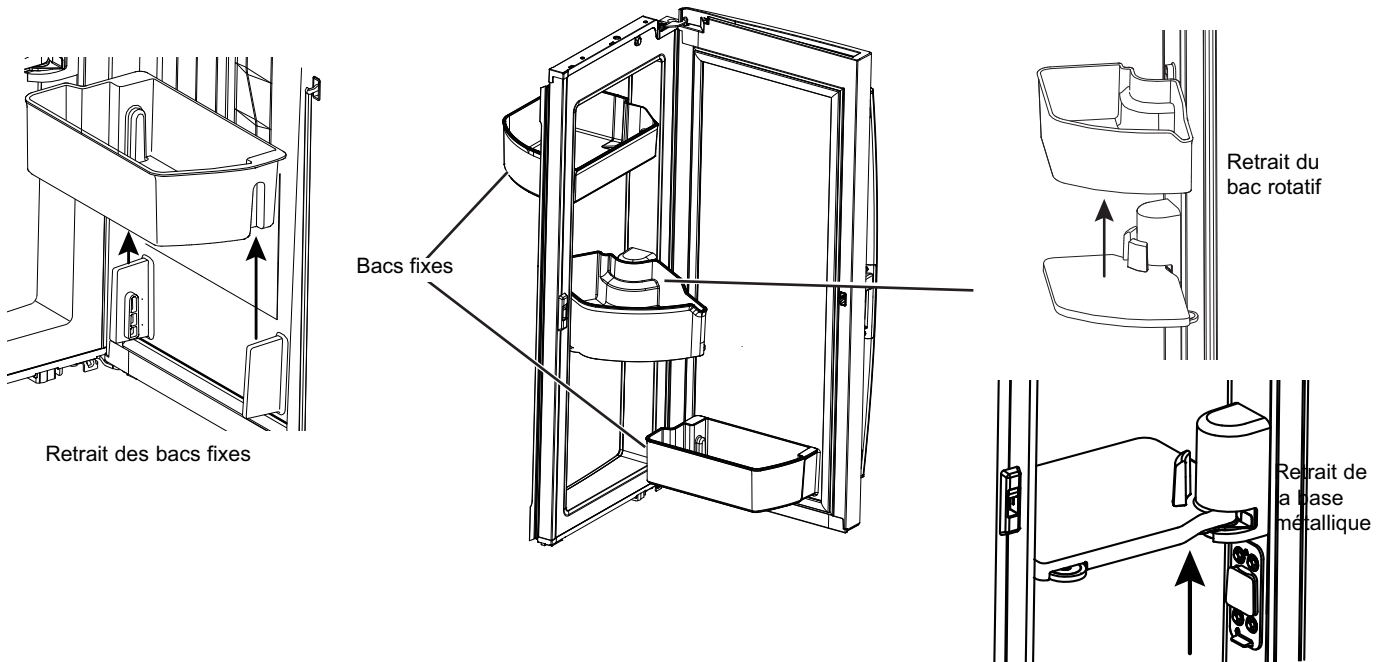
**BACS FIXES** pouvant facilement être transportés du réfrigérateur vers la surface de travail.

**Pour retirer :** Soulevez le bac à la verticale puis tirez-le vers l'extérieur.

**BAC ROTATIF :**

**Pour retirer :** Tournez le bac vers l'extérieur puis soulevez-le à la verticale. Pour le retirer, placez une main sous la base métallique puis soulevez le bac.

**Pour retirer la base métallique :** Placez une main sous la base métallique puis soulevez.

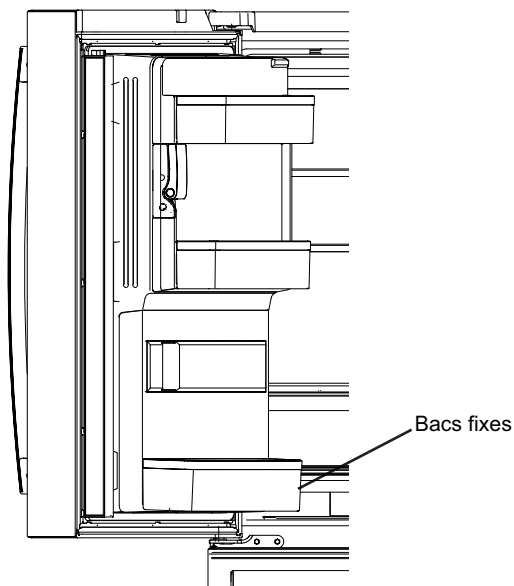


## Bacs de la porte gauche

**BAC FIXE**

**Pour retirer :** Soulevez le bac à la vertical puis tirez-le vers l'extérieur.

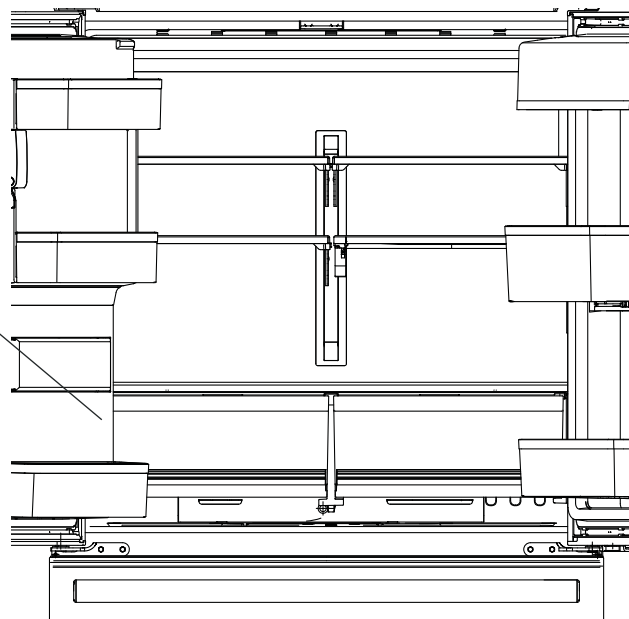
Les bacs à glace de la porte ne sont pas interchangeables. Mémorisez l'emplacement lors du retrait et réinstallez le bac au même endroit.



## Zone climatisée

Pour organiser les fruits et les légumes dans des compartiments distincts pour faciliter l'accès.

L'excès d'eau pouvant s'accumuler au fond ou sous les tiroirs doit être épongé.



## Tiroir convertible

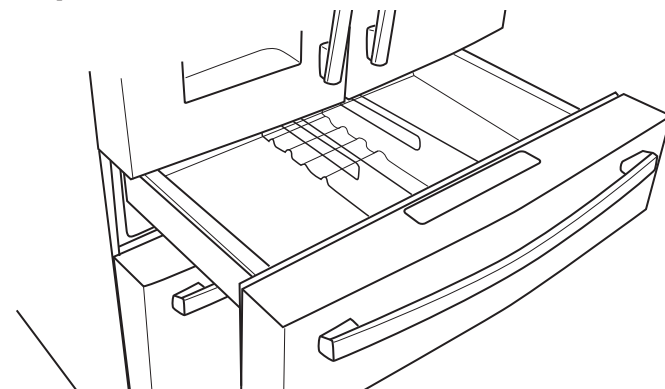
### Comment retirer et réinstaller la cloison séparatrice

**Pour retirer :**

1. Ouvrez le tiroir jusqu'à ce qu'il s'immobilise
2. Soulevez légèrement la cloison séparatrice puis tournez-la pour la retirer.

**Pour réinstaller :**

1. Placez le dos de la cloison séparatrice sur la paroi arrière du tiroir.
2. Tournez la cloison séparatrice dans la position désirée.



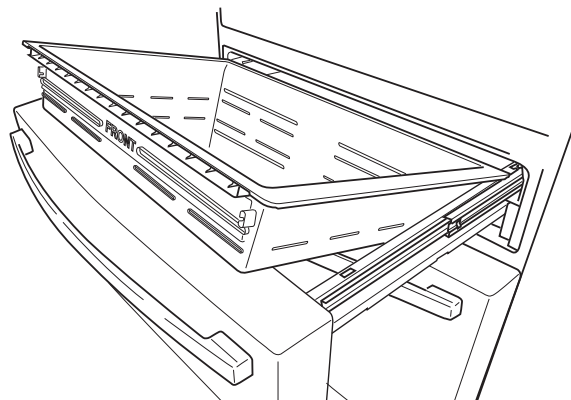
### Comment retirer et replacer le tiroir

**Pour retirer :**

1. Tirez le tiroir vers l'extérieur jusqu'à la position d'arrêt.
2. Retirez le panier du tiroir convertible en le soulevant tout en faisant pivoter le panier vers le haut.

**Pour replacer :**

1. Replacez d'abord l'arrière du tiroir et faites pivoter le devant pour le déposer sur les glissières.
2. Poussez le tiroir jusqu'à la position fermée.  
Le panier de tiroir convertible sera lâche s'il est réinstallé à l'envers. Repérez le mot embossé « FRONT » (devant) pour faciliter la réinstallation.

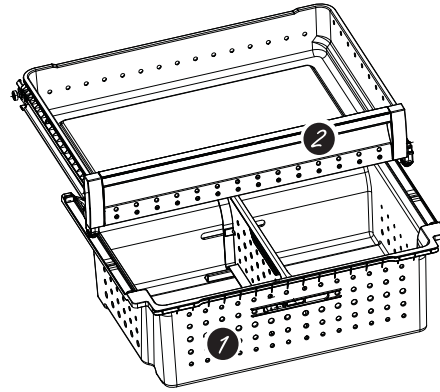


# Paniers, tiroirs et bacs

## Panier et tiroir du congélateur

① Panier.

② Tiroir



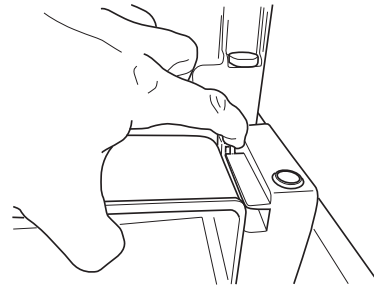
## Bac à bascule dans le congélateur

**Pour retirer :**

Pressez la languette sur le support droit pour retirer le bac du tiroir du congélateur.

**Pour replacer :**

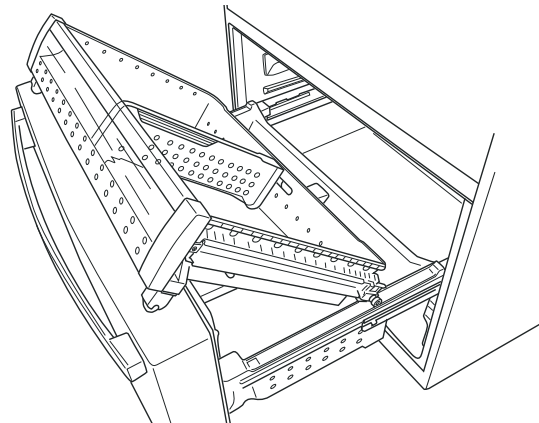
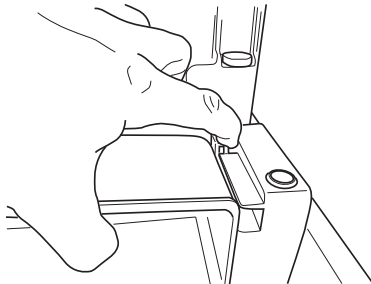
Glissez le bac à sa position jusqu'à ce qu'il se verrouille en place.



## Retrait du panier

**Pour retirer :**

1. Tirez le panier du tiroir de congélateur supérieur vers l'avant jusqu'à ce qu'il sorte du rail du compartiment congélateur. Soulevez, tout en faisant pivoter le panier vers le haut pour le retirer.
2. Pressez la languette sur le support droit pour retirer le bac de la porte du congélateur.



**Pour réinstaller, faites les étapes de retrait à l'inverse.**

3. Soulevez le panier du tiroir congélateur inférieur légèrement vers l'arrière, puis vers le haut et hors du tiroir.

# Machine à glaçons automatique

Il faut prévoir entre 12 et 24 heures avant qu'un réfrigérateur nouvellement installé commence à produire des glaçons.

## ⚠ AVERTISSEMENT

Raccordez l'appareil à une alimentation d'eau potable seulement. Une alimentation d'eau froide est requise pour faire fonctionner la machine à glaçons et le pichet à remplissage automatique. La pression d'eau doit se situer entre 40 et 120 psi. (275 à 827 kPa).

## Machine à glaçons automatique

La machine à glaçons produit sept glaçons par cycle - environ 112-140 cycles par 12 heures, selon la température du compartiment de congélation, la température de la pièce, le nombre d'ouverture de porte et les autres conditions d'utilisation.

La machine à glaçons se remplit d'eau lorsque sa température atteint 15°F (-10°C). Il faut prévoir entre 12 et 24 heures avant qu'un réfrigérateur nouvellement installé commence à produire des glaçons.

Si le réfrigérateur est mis en marche avant que la machine à glaçons ne soit raccordée à l'alimentation en eau ou si l'alimentation en eau du réfrigérateur est fermée, assurez-vous que la machine à glaçons est éteinte. Une fois l'eau raccordée au réfrigérateur, on peut mettre la machine à glaçons sous tension (On) à l'aide des contrôles.

Vous entendrez un bourdonnement à chaque fois que la machine à glaçons se remplit d'eau.

Pour remplir le bac à sa capacité maximale après l'installation, distribuez 3 ou 4 glaçons au bout de 12 heures et 18 heures. Allouez 1 à 2 jours pour que le bac se remplisse complètement de glaçons

Jetez les premiers bacs de glaçons pour bien nettoyer le conduit d'eau.

Vérifiez que rien n'interfère avec le déplacement du bras de détection.

Quand le bac se remplit jusqu'au niveau du bras de détection, la machine à glaçons s'arrête de produire des glaçons. Il est normal de trouver des glaçons qui soient soudés ensemble.

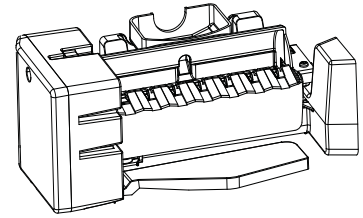
Si vous n'utilisez pas souvent vos glaçons, les vieux glaçons deviennent opaques, prennent un mauvais goût et rétrécissent.

**REMARQUE :** Dans les maisons qui ont une pression d'eau plus faible que la moyenne, vous entendrez peut-être la machine à glaçons recommencer plusieurs fois son cycle pour produire un lot de glaçons.

## ⚠ ATTENTION

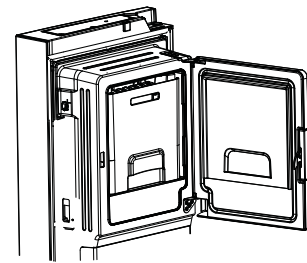
Pour minimiser les risques de blessures, évitez le contact avec les pièces mobiles du mécanisme éjecteur, ou avec l'élément chauffant qui libère les glaçons. Ne posez pas les doigts ou les mains sur le mécanisme de la machine à glaçons automatique pendant que le réfrigérateur est branché.

Pour allumer ou éteindre la machine à glaçons, utilisez le bouton Paramètres pour accéder aux sélections de la machine à glaçons. Voir COMMANDES, page 10.



## Seau à glaçons et distributeur

- Ouvrez la porte du bac à glace à l'intérieur de la porte de gauche.
- Tirez le seau à glaçons vers le haut dans la porte de gauche pour le sortir du compartiment.
- Pour remettre le seau à glace, placez-le sur les guides et enfoncez-le jusqu'à ce qu'il soit correctement en place.



## Mode Sabbath - OU (Orthodox Union) et CRC (Central Rabbinical Congress)

Ce réfrigérateur offre un mode Sabbath OU et CRC conforme aux normes établies par Orthodox Union, le Central Rabbinical Congress et Halacha Tech, et il est certifié à 100 % selon les normes halachiques les plus strictes. Pour activer le mode Sabbath OU et CRC, deux méthodes sont possibles : une activation manuelle et un mode Sabbath automatique.

La première méthode (manuelle) peut être activée en suivant les instructions de la section Commandes du réfrigérateur (Page 7). Le mode Sabbath se désactivera automatiquement après 96 heures.

La deuxième méthode (automatique) nécessite l'utilisation d'un Shabbos Keeper for Refrigerators distinct, qui doit être branché au réfrigérateur. Le Shabbos Keeper peut être acheté

sur [zmantechnologies.com](http://zmantechnologies.com) ou [geappliances.com](http://geappliances.com). La seule façon d'activer automatiquement le mode Sabbath OU et CRC est d'acheter le Shabbos Keeper for Refrigerators. Le Shabbos Keeper se connecte à votre réfrigérateur pour activer automatiquement les modes compatibles Shabbos chaque semaine et avant chaque fête. Le mode approprié s'activera automatiquement selon la date du calendrier juif correspondant à votre emplacement. Lorsque le Shabbos Keeper est correctement branché au réfrigérateur, l'affichage présentera un écran fixe comportant un bouton « Exit Sabbath mode » (quitter le mode Sabbath).



POWERED BY:



# Entretien et nettoyage

## Nettoyage de l'extérieur

**ACIER INOXYDABLE RÉSISTANT AUX EMPREINTES DIGITALES\***, - Directives pour nettoyer les surfaces extérieures, les poignées de porte et les garnitures

**⚠ N'utilisez PAS de nettoyeurs pour acier inoxydable sur les surfaces de porte. ⚠**

**IMPORTANT** : L'utilisation de produits inappropriés peut endommager le fini extérieur de l'acier inoxydable résistant aux empreintes digitales et de l'acier inoxydable noir. Veuillez suivre ces instructions et utiliser seulement les articles appropriés ci-dessous pour nettoyer les surfaces de votre électroménager.

- Afin de prévenir leur détérioration, nettoyez les surfaces intérieure/extérieure avec de l'eau tiède, un savon ou un détergent doux, et un linge doux ou en microfibrés.
- Afin de prévenir les rayures et les taches d'eau, séchez les surfaces de l'électroménager en les essuyant avec un chiffon doux propre ou un linge en microfibrés.

UTILISER	NE PAS UTILISER	
Linge ou éponge doux et propres Chiffon en microfibrés	Linges abrasifs, essuie-tout, éponges à récurer (avec ou sans savon), tampons à récurer ou en laine d'acier.	
Détergent doux dans eau chaude.	Poudres, liquides, ou vaporisateurs abrasifs. Vaporisateurs pour fenêtres, ammoniac ou javel Nettoyants à base d'agrumes ou de plantes. Nettoyants acides ou à base de vinaigre.	Nettoyants pour le four. Nettoyants alcalins Nettoyants pour acier inoxydable

\*Nettoie facilement les taches et les empreintes de doigt.

## Nettoyage de l'intérieur

**Pour prévenir les odeurs**, laissez ouverte une boîte de bicarbonate de soude dans les compartiments réfrigérateur et congélateur.

### Débranchez l'appareil avant de le nettoyer.

S'il est trop difficile de débrancher l'appareil, essorez bien votre chiffon ou votre éponge pour enlever l'excès d'eau lorsque vous nettoyez autour des interrupteurs, des lampes ou des commandes. Utilisez une cire pour appareil ménager sur la surface intérieure entre les portes.

Utilisez une solution d'eau tiède et de bicarbonate de soude (environ une cuillère à soupe (15 ml) de bicarbonate de soude dans un litre d'eau) afin de nettoyer tout en neutralisant les odeurs. Rincez et séchez.

**Pour nettoyer le panneau métallique intérieur\***, ouvrez la porte extérieure à l'aide du verrou entre les portes extérieure et intérieure. Nettoyez le panneau à l'aide d'un détergent doux puis essuyez avec un chiffon souple pour sécher. N'utilisez pas un nettoyeur pour acier inoxydable sur le panneau car il pourrait endommager le plastique du pourtour.

### ⚠ ATTENTION

Ne nettoyez pas les clayettes ou les couvercles en verre avec de l'eau tiède quand ceux-ci sont froids. Les clayettes et couvercles en verre peuvent se casser s'ils sont exposés à des changements soudains de température ou si vous les cognez ou les faites tomber. Le verre trempé est conçu pour se briser en petits morceaux en cas de casse.

Ne lavez aucune pièce en plastique du réfrigérateur au lave-vaisselle.

## Entretien et nettoyage

### Derrière le réfrigérateur

Soyez prudent lorsque vous éloignez votre réfrigérateur du mur. Tous les types de revêtements de sol peuvent être endommagés, en particulier les revêtements matelassés et ceux dont la surface est gaufrée.

Relevez les pieds de mise à niveau situés sur la partie inférieure avant du réfrigérateur.

Tirez le réfrigérateur en ligne droite et lorsque vous le remettez en place, poussez-le vers le mur en ligne droite. Les déplacements latéraux du réfrigérateur pourraient endommager le revêtement de sol ou le réfrigérateur.

Abaissez les pieds de mise à niveau jusqu'à ce qu'ils touchent le sol.

**⚠ AVERTISSEMENT**



**RISQUE DE CHOC**

**ÉLECTRIQUE** Lorsque vous remettez le réfrigérateur en place en le poussant, veillez à ne pas le faire rouler sur le cordon d'alimentation.

### Arrêt et redémarrage du réfrigérateur pendant des périodes prolongées

Lors de vacances ou d'absences prolongées, retirez les aliments et débranchez le réfrigérateur. Nettoyez l'intérieur avec une solution d'une cuillère à table (15 ml) de bicarbonate de soude dans une pinte (1 litre) d'eau. Laissez les portes ouvertes.

Si la température risque de descendre sous le point de congélation, faites appel à un technicien qualifié pour vidanger le système d'alimentation d'eau afin de prévenir les dommages à la propriété causés par inondation.

1. Mettez le réfrigérateur hors tension (Off) ou débranchez-le. (Voir COMMANDES, page 10.)

2. Videz le bac à glaçons.

3. Coupez l'alimentation d'eau.

**Si vous coupez l'alimentation d'eau, mettez la machine à glaçons hors tension (Off).**

Au retour de vacances :

1. Remplacez le filtre à eau.

2. Faites circuler deux gallons (7,57 litres) d'eau dans le distributeur d'eau froide (environ 5 minutes) afin de rincer le système.

### Déménagement

Immobilisez toutes les pièces amovibles, telles que les clayettes et les bacs, à l'aide de ruban gommé pour éviter de les endommager.

Lorsque vous utilisez un diable pour déplacer le réfrigérateur, ne faites pas reposer le devant ou l'arrière du réfrigérateur contre le diable, sous peine d'endommager votre réfrigérateur.

Ne le manipulez que par les côtés.

Assurez-vous que le réfrigérateur reste en position verticale pendant son déménagement.

## Remplacement des ampoules

### Ampoules du réfrigérateur (DEL)

L'aspect peut varier selon le modèle.

Le compartiment de réfrigération est équipé d'un éclairage à DEL. De plus, le bas de la porte du compartiment réfrigérateur est également équipé de DEL pour éclairer le compartiment de congélation.\*

Le remplacement des ampoules à DEL doit être effectué par un technicien autorisé.

Si cet assemblage doit être remplacé, visitez [Electromenagersge.ca/fr/soutien/demande-de-service](http://Electromenagersge.ca/fr/soutien/demande-de-service) pour programmer une visite de service.

# Instructions d'installation

# Réfrigérateur

Des Questions ? consultez notre site internet [Electromenagersge.ca](http://Electromenagersge.ca)

## AVANT DE COMMENCER

Lisez ces instructions entièrement et attentivement.

### **⚠ AVERTISSEMENT** Risque de basculement

Les modèles PJD, PJE, PXD, CJE et CXE sont lourds du haut, surtout lorsque les portes sont ouvertes. Ces modèles sont fournis avec un support antibasculement qui doit être installé et solidement fixé à la structure de la maison afin de prévenir un basculement vers l'avant, ce qui pourrait entraîner des blessures graves ou la mort. Lisez et observez la totalité des instructions d'installation pour installer le support de plancher antibasculement fourni avec votre réfrigérateur.

REMARQUE : Si vous possédez un modèle PJD, PJE, PXD, CJE ou CXE et que vous n'avez pas reçu de support antibasculement lors de votre achat, composez le 833.4BODEWELL pour en obtenir un gratuitement (au Canada, composez le 1.800.561.3344). Pour les instructions d'installation du support, visitez : [www.GEAppliances.com](http://www.GEAppliances.com) (au Canada, [www.GEAppliances.ca](http://www.GEAppliances.ca)).

**IMPORTANT** — Respectez tous les codes et règlements en vigueur. Conservez ces instructions pour l'inspecteur local.

- Remarque pour l'installateur – Assurez-vous de remettre ces instructions à l'utilisateur.
- Remarque pour l'utilisateur- Conservez ces instructions pour toute référence future.
- Niveau de compétence - L'installation de cet appareil demande des connaissances de base en mécanique.

### • IMPORTANT — (cont.)

- Délai d'exécution– Variable pour l'installation du réfrigérateur  
30 minutes pour l'installation de l'alimentation en eau
- L'installateur est responsable de l'installation correcte de l'appareil.
- La panne de l'appareil due à une mauvaise installation n'est pas couverte par la garantie.

## PRÉPARATION

### DÉPLACEMENT DU RÉFRIGÉRATEUR À L'INTÉRIEUR DE LA MAISON

Si le réfrigérateur ne peut pas passer par la porte, vous pouvez enlever la portes du compartiment de réfrigération et le tiroir du compartiment de congélation.

- Pour enlever la portes du compartiment de réfrigération, consultez la section « Installation du réfrigérateur »
- Pour enlever la porte du compartiment de congélation, consultez la section « Retrait du tiroir de congélation ».

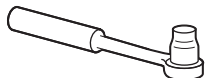
### ALIMENTATION EN EAU DE LA MACHINE À GLAÇONS ET DU DISTRIBUTEUR

Si le réfrigérateur est équipé d'une machine à glaçons, il devra être branché à une alimentation en eau froide. Vous pouvez vous procurer une trousse GE Appliances de branchement à l'alimentation d'eau (contenant tuyau, robinet, raccords et instructions) auprès de votre fournisseur, en consultant notre site internet [Electromenagersge.ca/fr/produits/filtres-et-accessoires](http://Electromenagersge.ca/fr/produits/filtres-et-accessoires).

## OUTILLAGE DONT VOUS POUVEZ AVOIR BESOIN



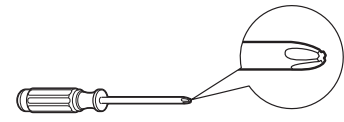
Clé à molette



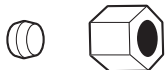
Tournevis à cliquet de 5/16 po



Clé hexagonale de type Allen de 1/8 po, 3/32 po, 1/4 po et de 5/32 po



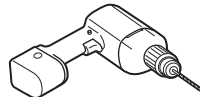
Tournevis cruciforme



Écrou à compression de diamètre externe d'1/4 po et d'une bague



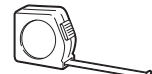
Crayon



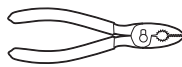
Mèche de 1/8 po et Perceuse manuelle ou électrique



Tournevis à tête plate



Mètre



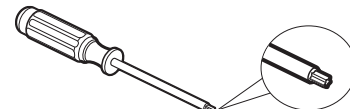
Pincès



Tournevis à tête plate



Niveau



Tournevis Torx T20, T25

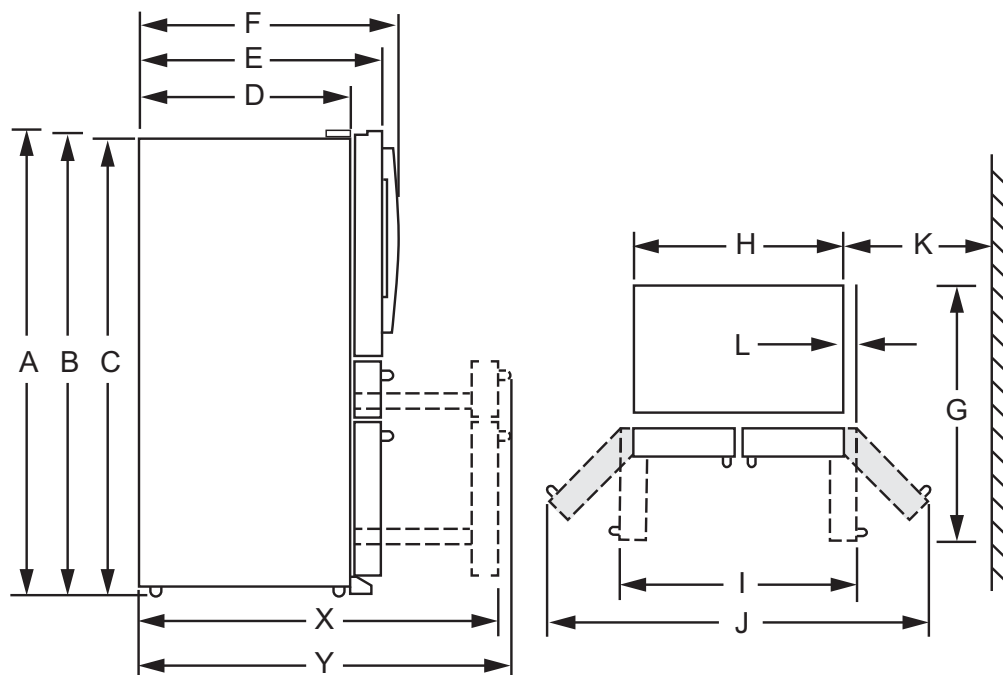
# Instructions d'installation

## DIMENSIONS

**REMARQUE :** Il est recommandé que le plancher soit protégé par un recouvrement plastique durant toute la durée de l'installation.

**REMARQUE :** Non recommandé pour une installation sur moquette.

**REMARQUE :** La longueur du cordon d'alimentation est de 1 727 mm (68 po).



	PVD28		PXD22	
	pouces	millimètres	pouces	millimètres
Hauteur totale jusqu'au dessus de la porte (A)	70	1778	70	1778
Hauteur jusqu'au dessus du couvercle de charnière (B)	69 7/8	1775	69 7/8	1775
Hauteur jusqu'au dessus de la carrosserie (C)	68 5/8	1743	68 5/8	1743
Profondeur de carrosserie sans porte (D)	29 1/2	749	24 1/2	622
Profondeur carrosserie avec porte, moins poignée porte (E)	34 1/4	870	29 1/4	743
Profondeur carrosserie avec porte et poignée (F)	36 3/4	933	31 3/4	806
Profondeur avec porte réfrigérateur ouverte à 90° (G)	48 3/8	1229	43 3/8"	1102
Largeur (H)	35 3/4	908	35 3/4	908
Largeur avec porte ouverte à 90°, avec poignée (I)	44 3/8	1127	44 3/8	1127
Largeur avec portes totalement ouvertes (J)	63	1600	63	1600
Dist. min. entre carrosserie et mur pour portes totalement ouvertes (K)	13 5/8	346	13 5/8	346
Distance entre le caisson et la porte, porte ouverte à 90° (L)	4 3/8	111	4 3/8	111
Profondeur avec porte congélateur totalement ouverte, avec poignée (X)	53 1/2	1359	46	1168
Profondeur avec porte congélateur totalement ouverte, sans poignée (Y)	56	1422	48 1/2	1232

## DÉPLACEMENT DU RÉFRIGÉRATEUR

- En utilisant le tableau ci-dessous, déterminez si la largeur de votre couloir et embrasures de porte peuvent accommoder la profondeur du réfrigérateur. Assurez-vous d'avoir assez d'espace pour éviter d'endommager le réfrigérateur avant de le déplacer en toute sécurité vers son emplacement final.
- Si votre couloir et embrasures de porte sont assez large pour laisser passer le réfrigérateur sans enlever les poignées, passez directement à l'étape 6. Laissez les bandes adhésives, le film et tous les emballages sur les portes jusqu'à ce que le réfrigérateur soit dans sa position finale.
- **REMARQUE : Utilisez un diable rembourré ou des sangles de déménagement pour déplacer ce réfrigérateur. Placez le réfrigérateur sur le diable en appuyant un des côtés contre le diable. Il est fortement recommandé que DEUX PERSONNES déplacent le réfrigérateur et effectuent cette installation.**

Si votre ouverture est inférieure aux dimensions suivantes, retirez les pièces de la porte dans l'ordre indiqué jusqu'à ce que les dimensions soient inférieures à l'ouverture.

	PVD28	PXD22
Retirer les poignées	38" (965 mm)	33" (8389 mm)
Retirer les portes	36" (914 mm)	32" (813 mm)
Retirer la charnière centrale	34" (864 mm)	29" (737 mm)

## EMPLACEMENT DU RÉFRIGÉRATEUR

- N'installez pas le réfrigérateur dans une pièce où les températures descendent en-dessous de 60°F (16°C) parce qu'il serait difficile d'y maintenir une température correcte.
- N'installez pas le réfrigérateur dans un endroit où la température ambiante sera supérieure à 100°F (37°C), il ne fonctionnera pas correctement.
- N'installez pas le réfrigérateur dans un endroit exposé à l'eau (pluie, etc.) ou directement aux rayons solaires.
- Il doit être installé sur une surface suffisamment solide pour supporter le poids d'un réfrigérateur rempli.

## DÉGAGEMENTS

Prévoyez les dégagements suivants pour faciliter l'installation, la circulation d'air et les raccordements hydrauliques et électriques.

Côtés	1/8 po (3 mm)
Dessus	1 po (25mm)
Arrière	2 po (50 mm)

## RETRAIT DES PORTES DU RÉFRIGÉRATEUR

- **REMARQUE IMPORTANTE :** Si les passages sont moins profonds que votre réfrigérateur, les portes et les poignées du réfrigérateur peuvent être facilement rayées et endommagées. Les portes peuvent être retirés pour permettre de déplacer le réfrigérateur à l'intérieur en toute sécurité. Si les passages sont moins profonds que la profondeur de votre réfrigérateur et que les poignées sont installées, commencez par inverser l'étape 1 pour retirer les poignées.
- S'il n'est pas nécessaire de retirer les poignées ou les portes, passez directement à l'étape 13. Laissez les bandes adhésives et tous les emballages sur les portes jusqu'à ce que le réfrigérateur soit dans sa position finale.
- **REMARQUE :** Utilisez un diable rembourré pour déplacer ce réfrigérateur. Placez le réfrigérateur sur le diable en appuyant un des côtés contre le diable. Il est fortement recommandé que DEUX PERSONNES déplacent le réfrigérateur et effectuent cette installation.

# Instructions d'installation

## INSTALLATION DU RÉFRIGÉRATEUR

### 1 INSTALLATION DE LA POIGNÉE DU RÉFRIGÉRATEUR ET DU CONGÉLATEUR

#### Avant de commencer...

- Pour éviter les blessures, portez des chaussures fermées lors de l'installation des poignées.
- Lors de l'installation, saisissez la poignée fermement pour vous assurer qu'elle ne tombe pas et ne raye pas la finition de l'appareil.
- **IMPORTANT:** Pour vous assurer que les poignées seront correctement installées, veuillez lire les instructions et examiner les illustrations attentivement avant de commencer l'installation.
- **IMPORTANT:** N'utilisez pas d'outils électriques pour serrer les vis de pression.

#### Outils fournis:

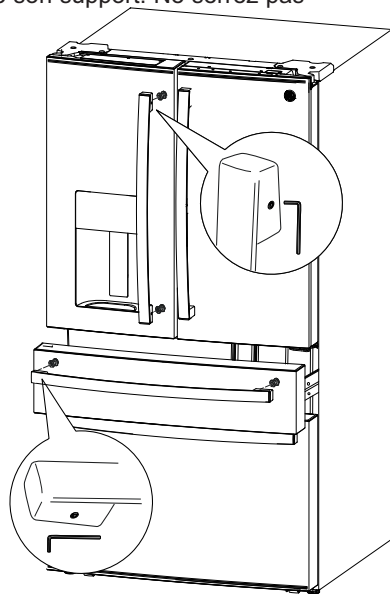
- Clé hexagonale 1/8 po

L'apparence de la poignée peut varier en fonction du modèle; cependant, la procédure d'installation est la même.

1. Retirez toute pellicule protectrice de la porte ou du devant des tiroirs avant d'installer les poignées (s'il y a lieu).
2. Retirez la poignée de l'emballage et repérez la clé hexagonale 1/8" fournie.
3. Placez la poignée sur les fixations de montage jusqu'à ce qu'elle affleure la surface de la porte.
4. Serrez les deux vis de pression dans les capuchons d'extrémité de la poignée en tournant la clé hexagonale de 1/8" dans le sens des aiguilles d'une montre jusqu'à ce que la poignée ne branle pas ou ne tombe pas de son support. **Ne serrez pas complètement pour le moment.**

5. **IMPORTANT:** Maintenez fermement la poignée contre la porte, assurez-vous qu'il n'y a pas d'espace entre les capuchons d'extrémité de la poignée et la porte, et serrez complètement les vis de pression.

Pour retirer les poignées, inversez la procédure d'installation.

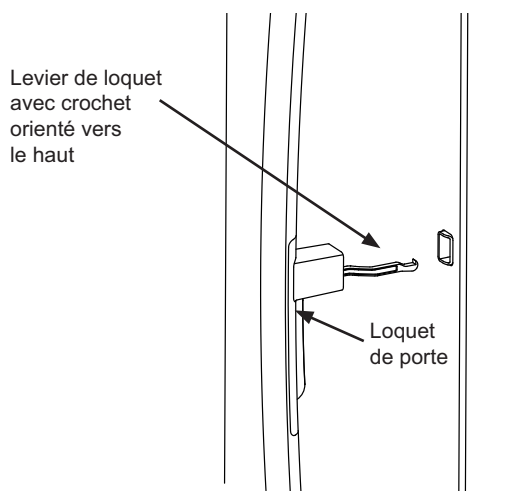


### 2 INSTALLATION DE LA POIGNÉE DU RÉFRIGÉRATEUR POUR MODÈLES À PORTE INTÉRIEURE (DOOR-IN-DOOR) SEULEMENT

L'apparence de la poignée peut varier en fonction du modèle; cependant, la procédure d'installation est la même.

1. Retirez toute pellicule protectrice de la porte ou du devant des tiroirs avant d'installer les poignées (s'il y a lieu). **Ne retirez pas le ruban adhésif qui fixe la porte intérieure à la porte extérieure avant d'avoir installé la poignée.**
2. Retirez la poignée de l'emballage et repérez la clé hexagonale 1/8" fournie.
3. Alignez le levier sur l'ouverture de la porte la porte extérieure. Assurez-vous que le crochet est orienté vers le haut.
4. Insérez le levier du loquet dans l'ouverture et placez la poignée sur les fixations de montage jusqu'à ce qu'elle affleure la surface de la porte.
5. Serrez les deux vis de pression dans les capuchons d'extrémité de la poignée en tournant la clé hexagonale de 1/8" dans le sens des aiguilles d'une montre jusqu'à ce que la poignée ne branle pas ou ne tombe pas de son support. **Ne serrez pas complètement pour le moment.**
6. **IMPORTANT:** Maintenez fermement la poignée contre la porte, assurez-vous qu'il n'y a pas d'espace entre les capuchons d'extrémité de la poignée et la porte, et serrez complètement les vis de pression.

Pour retirer les poignées, inversez la procédure d'installation.



# Instructions d'installation

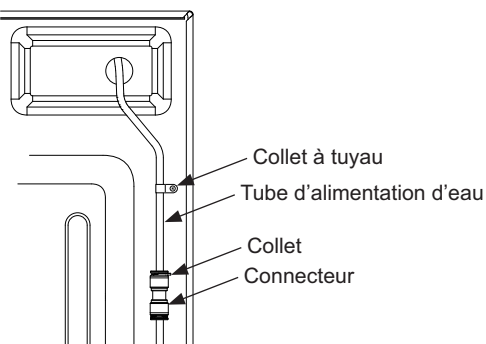
## INSTALLATION DU RÉFRIGÉRATEUR (suite)

### 3 RETIRER LA PORTE GAUCHE

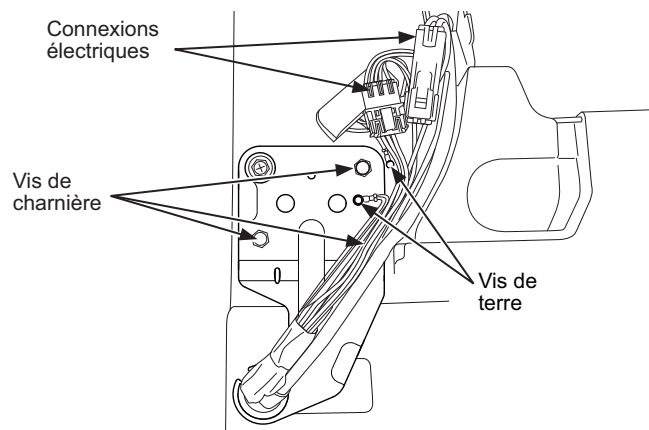
#### ⚠ AVERTISSEMENT (si nécessaire)

Suivez toutes les étapes pour enlever et réinstaller la porte. La porte risque de tomber en plus de causer des blessures ou des dommages si vous ne respectez pas ces instructions, oubliez des pièces ou effectuez un serrage excessif des vis.

- Desserrez le tube d'alimentation d'eau de la machine à glaçons.



- Dévissez et retirez le collet à tuyau qui fixe le tuyau d'eau sur la face arrière du réfrigérateur.
- Retirez le collet noir supérieur du connecteur du tuyau d'eau sur la face arrière supérieure droite du réfrigérateur.
- Pressez la collerette blanche vers le bas et séparez la conduite d'alimentation d'eau du connecteur.
- Retirez le couvercle de la charnière gauche en retirant 2 vis du couvercle de la charnière avec une tête Phillips, un tournevis hexagonal de 7 mm ou un tournevis Torx T20 et en le soulevant du côté gauche. Débranchez les connecteurs électriques et tirez le tube d'alimentation d'eau de la machine à glaçons à travers la carrosserie.



- Fixez fermement la porte en position fermée avec du ruban cache ou demandez à une autre personne de supporter la porte.
- Retirez les vis qui fixent la charnière à l'aide d'une douille 5/16 po. Levez la charnière pour la dégager du réfrigérateur et de la porte.

### 3 RETIRER LA PORTE GAUCHE (suite)

Pour une installation correcte plus tard, veuillez suivre les étapes suivantes attentivement :

- Retirez le ruban en gardant la porte aussi droite que possible, puis soulevez-la pour l'enlever.

#### ⚠ ATTENTION Risques lors du levage

Un levage avec une seule personne peut provoquer des blessures. Utilisez de l'aide lors de la manipulation, le déplacement ou le levage des portes du réfrigérateur.

### 4 RETIRER LA PORTE DROITE (si nécessaire)

- Retirez le couvercle de charnière droit. (si nécessaire)
- Fixez fermement la porte en position fermée avec du ruban cache ou demandez à une autre personne de supporter la porte.
- Retirez les vis qui fixent la charnière à l'aide d'une douille 5/16 po. Levez la charnière pour la dégager du réfrigérateur et de la porte.

Pour une installation correcte plus tard, veuillez suivre les étapes suivantes attentivement :

- Retirez le ruban en gardant la porte aussi droite que possible, puis soulevez-la pour l'enlever.

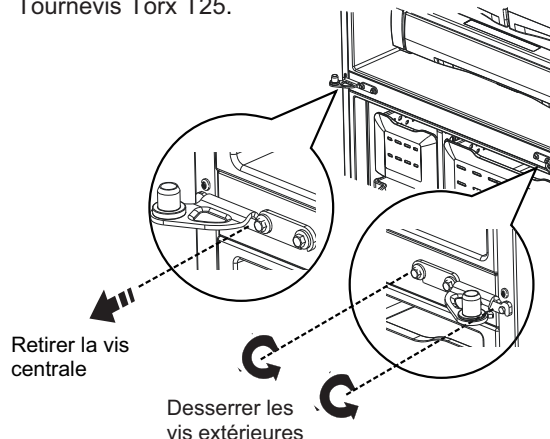
#### ⚠ ATTENTION Risques lors du levage

Un levage avec une seule personne peut provoquer des blessures. Utilisez de l'aide lors de la manipulation, le déplacement ou le levage des portes du réfrigérateur.

Pour remonter les portes, inversez les étapes du retrait.

### 5 RETIRER LA CHARNIÈRE CENTRALE (si nécessaire)

Retirez les vis pour fixer la charnière sur la carrosserie. Les vis intérieures nécessitent une douille 5/16 po. Les vis extérieures nécessitent une vis Phillips no 2 ou Tournevis Torx T25.



# Instructions d'installation

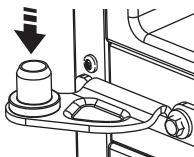
## INSTALLATION DU RÉFRIGÉRATEUR (suite)

### 6 RÉINSTALLATION DES PORTES DES CÔTÉS GAUCHE ET DROIT

#### ⚠ AVERTISSEMENT

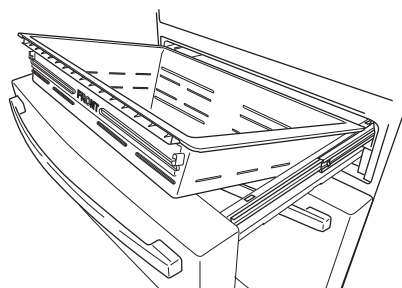
Suivez toutes les étapes pour enlever et réinstaller la porte. La porte risque de tomber en plus de causer des blessures ou des dommages si vous ne respectez pas ces instructions, oubliez des pièces ou effectuez un serrage excessif des vis.

1. Réinstallez d'abord la charnière centrale et serrez la vis 1/4 po au couple de 65 lb-po (7,34 N m) et la petite vis au couple de 25 lb-po (2,82 N m). On peut obtenir ces couples de serrage en tournant la vis de 1/3 de tour une fois qu'elle est à égalité avec la surface correspondante.
2. Abaissez la porte du compartiment réfrigérateur sur la charnière centrale.
3. Fixez fermement la porte en position fermée avec du ruban cache ou demandez à une autre personne de supporter la porte.
4. Les réinstallation s'effectue à l'inverse des instructions de retrait.
5. Assurez-vous de réinstaller le fil de terre et le détendeur sur la charnière supérieure.
6. Réinstallez le couvercle de charnière. REMARQUE : Assurez-vous que les fils ne sont pas pincés ni qu'ils se trouvent en-dessous des blocs de fixation avant de serrer les vis.

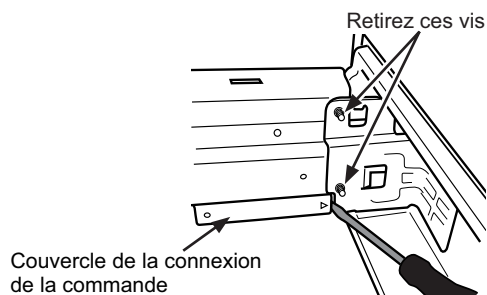


### 7 RETRAIT DU TIROIR CONVERTIBLE

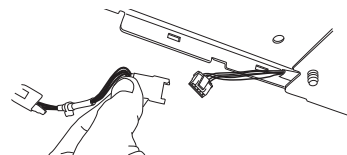
1. Retirez le panier du tiroir convertible en soulevant puis faisant pivoter le panier vers le haut.



2. Débranchez la connexion de contrôle pour le tiroir convertible.
  - À l'aide d'un tournevis à tête étoilée, retirez le couvercle au-dessus des connecteurs électriques sur l'intérieur droit du cadre du tiroir. Les crochets de couvercle à travers le cadre de tiroir vers l'intérieur du réfrigérateur.



- Pressez la languette au centre du connecteur pour séparer.



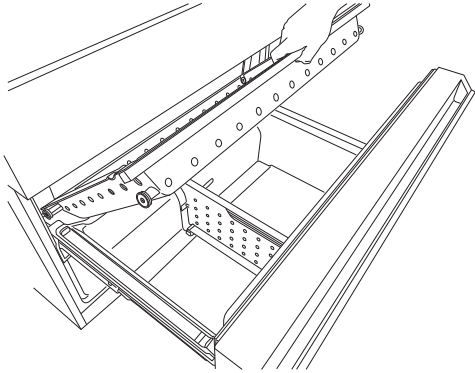
3. Retirez 2 vis de chaque côté du cadre à l'aide d'une douille 5/16 po.
4. Retirez la porte en la soulevant pour la dégager des crochets

# Instructions d'installation

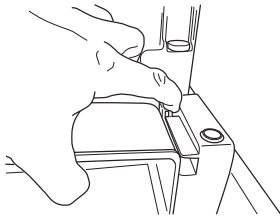
## INSTALLATION DU RÉFRIGÉRATEUR (suite)

### 8 RETRAIT CONGÉLATEUR INFÉRIEUR

- Tirez le panier du tiroir de congélateur supérieur vers l'avant jusqu'à ce qu'il sorte du rail du compartiment congélateur. Soulevez, tout en faisant pivoter le panier vers le haut pour le retirer.



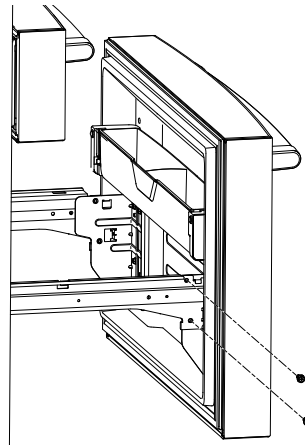
- Pressez la languette sur le support droit pour retirer le balconnet de congélateur.



- Tirez le tiroir du congélateur jusqu'à sa pleine extension.
- Soulevez légèrement vers l'arrière le panier du tiroir de congélateur inférieur, puis vers le haut et l'extérieur.

### 9 RETRAIT DE LA PORTE DU CONGÉLATEUR

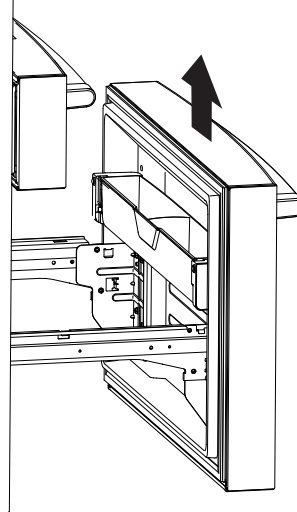
1. Tirez sur la porte du congélateur jusqu'à ce qu'elle soit complètement ouverte.
2. Retirez deux vis de chaque côté du cadre à l'aide d'une douille 5/16 po.



#### **ATTENTION** Risque lors du levage de charge

La porte du congélateur est lourde. Utilisez les deux mains pour maintenir la porte avant de la soulever.

3. Retirez la porte en la soulevant pour la dégager des crochets.

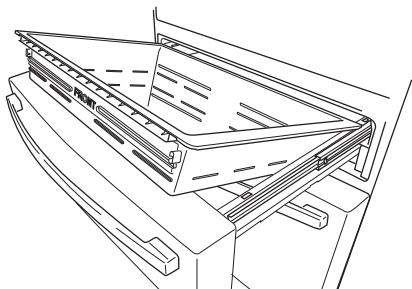


# Instructions d'installation

## INSTALLATION DU RÉFRIGÉRATEUR (suite)

### 10 RÉINSTALLATION DU TIROIR CONVERTIBLE

Pour remonter les portes, inversez les étapes de retrait. Le panier de tiroir convertible sera lâche s'il est réinstallé à l'envers. Repérez le mot embossé « FRONT » (devant) pour faciliter la réinstallation.

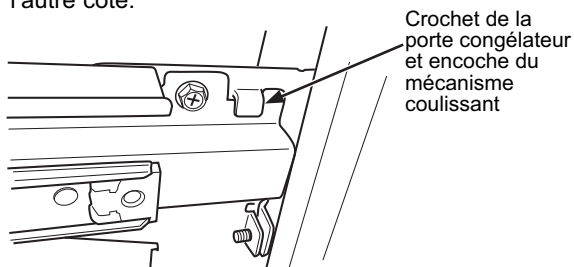


### 11 REINSTALLATION DE LA PORTE DU CONGÉLATEUR

**ATTENTION** Risque lors du levage de charge

La porte du congélateur est lourde. Utilisez les deux mains pour maintenir la porte avant de la soulever.

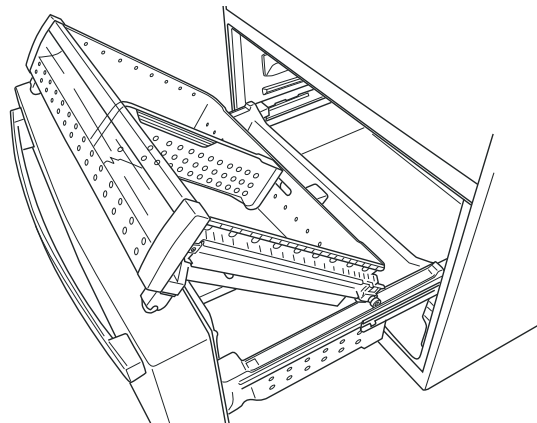
1. Tirez le mécanisme coulissant du panier inférieur à sa pleine extension à l'aide des deux mains.
2. Soulevez la porte congélateur et alignez les crochets sur les encoches du mécanisme coulissant.  
**REMARQUE** : Placez un côté d'abord, puis alignez l'autre côté.



3. Réinstallez les vis de fixation et vissez-les au couple de 65 lb-po (7,34 N m).

### 12 RÉINSTALLATION DES PANIERS DE CONGÉLATEUR

1. Réinstallez le panier inférieur du congélateur.
2. Réinstallez le tiroir de congélateur supérieur en plaçant les roulettes du tiroir sur le dessus des rails situés sur les parois latérales du congélateur. Les roulettes avant du tiroir de congélateur doivent être sur le dessus du panier inférieur.



3. Vérifiez le bon fonctionnement des paniers.

## INSTALLATION DU RÉFRIGÉRATEUR (suite)

### 13 RACCORDEMENT DU RÉFRIGÉRATEUR À LA CONDUITE D'EAU DE LA MAISON

Une alimentation d'eau froide est requise pour faire fonctionner la machine à glaçons automatique. Vous devrez en fournir une si elle n'existe pas. Consultez la section « Installation de l'alimentation en eau ».

#### REMARQUES :

- Avant de raccorder la conduite d'eau au réfrigérateur, assurez-vous que le cordon d'alimentation électrique du réfrigérateur n'est pas branché à la prise murale.
  - Si votre réfrigérateur n'est pas équipé de filtre à eau, nous recommandons d'en monter un si votre alimentation d'eau contient du sable ou des particules qui peuvent boucher la grille du robinet d'eau du réfrigérateur. Installez le dans la conduite d'alimentation d'eau froide près du réfrigérateur. Si vous utilisez une trousse SmartConnect™ Refrigerator Tubing, vous aurez besoin d'un tuyau supplémentaire (WX08X10002) pour brancher le filtre. Ne coupez pas le tuyau en plastique pour installer le filtre.
  - Avant de raccorder la conduite d'eau à la maison, purgez la ligne de la maison pendant au moins 2 minutes.
1. Si vous utilisez un tuyau de cuivre, placez un écrou de compression et une bague (manchon) à l'extrémité du tuyau qui vient de l'alimentation d'eau froide de la maison.  
Si vous utilisez le tuyau SmartConnect™, les écrous sont déjà assemblés au tuyau.

2. Si vous utilisez un tuyau de cuivre, insérez aussi loin que possible l'extrémité du tuyau dans le raccord à l'arrière du réfrigérateur. Tout en tenant le tuyau, serrez le raccord.

Si vous utilisez un tuyau SmartConnect™, insérez l'extrémité moulée du tuyau dans le raccord à l'arrière du réfrigérateur, puis serrez l'écrou à compression à la main. Serrez ensuite d'un autre tour à l'aide d'une clé. Des fuites peuvent survenir si l'écrou est trop serré.

3. Fixez le tuyau dans le collier de serrage fourni pour le maintenir en position. Vous aurez peut être besoin d'écarter la bride.

#### ⚠ AVERTISSEMENT

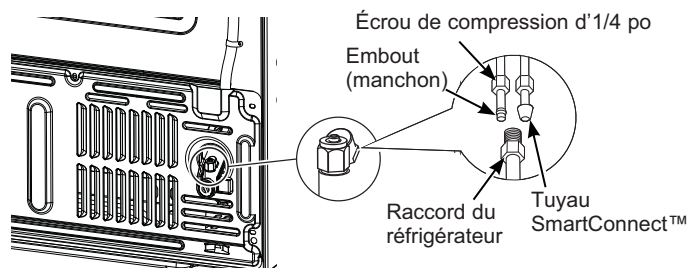
Raccordez-vous à une alimentation en eau potable seulement. Une alimentation en eau potable est requise pour le fonctionnement de la machine à glaçons. La pression d'eau doit se situer entre 40 et 120 psi (275 à 827 kilopascals).

#### ⚠ AVERTISSEMENT



#### RISQUE DE DÉCHARGE

**ÉLECTRIQUE** Fixez le collier de serrage dans le trou présent seulement. NE PERCEZ PAS dans le réfrigérateur.

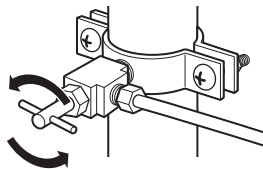


# Instructions d'installation

## INSTALLATION DU RÉFRIGÉRATEUR (suite)

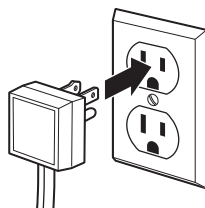
### 14 OUVRIR L'ALIMENTATION EN EAU

Ouvrez l'alimentation d'eau au niveau du robinet d'arrêt (alimentation en eau de la maison) et vérifiez qu'il n'y a pas de fuite.



### 15 BRANCHEMENT DU CORDON D'ALIMENTATION DU RÉFRIGÉRATEUR

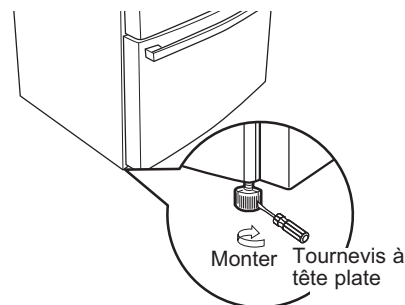
Veillez lire les informations de mise à la terre fixées au cordon d'alimentation.



### 16 MISE À NIVEAU DU RÉFRIGÉRATEUR

Les pieds de mise à niveau servent :

1. à ajuster le réfrigérateur pour que celui-ci soit correctement positionné sur le sol et ne vacille pas
  2. de frein pour stabiliser le réfrigérateur pendant son utilisation et son nettoyage. Les pieds de mise à niveau permettent aussi d'empêcher le réfrigérateur de basculer.
- Tournez les pieds de mise à niveau dans le sens des aiguilles d'une montre pour relever le réfrigérateur et dans le sens inverse des aiguilles d'une montre pour l'abaisser.

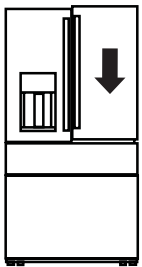


**REMARQUE :** Pour éviter tout dommage matériel, les pieds de mise à niveau doivent bien reposer sur le sol.

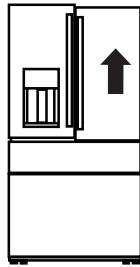
## INSTALLATION DU RÉFRIGÉRATEUR (suite)

### 17 MISE À NIVEAU DES PORTES DU RÉFRIGÉRATEUR

Rappelez-vous qu'il est nécessaire que le réfrigérateur soit de niveau pour que les portes soient parfaitement de niveau. Si vous avez besoin d'aide, consultez la section précédente sur la mise à niveau du réfrigérateur.



Lorsque la porte de gauche est plus basse que la porte de droite.



Lorsque la porte de gauche est plus haute que la porte de droite.

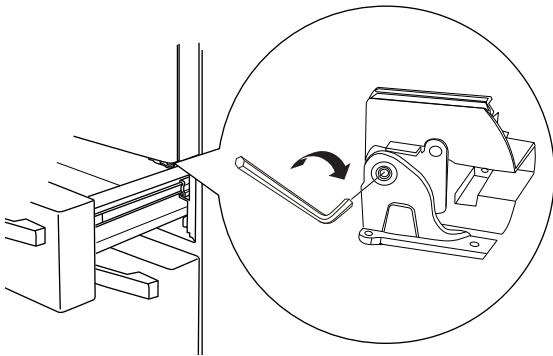
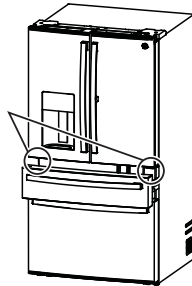
**A.** Accédez aux vis de charnière en ouvrant le tiroir convertible.

**B.** Insérez une clé Allen d'1/4 po dans l'axe de la charnière centrale.

**C.** Ajustez la hauteur en tournant dans le sens des aiguilles d'une montre ou dans le sens inverse des aiguilles d'une montre.

Lorsque vous tournez dans le sens inverse des aiguilles d'une montre, la porte se déplace vers le haut.

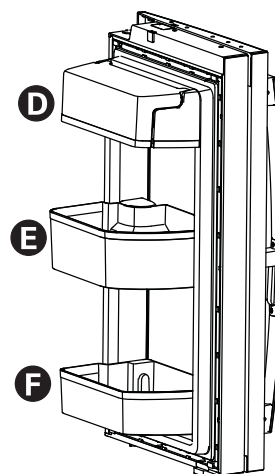
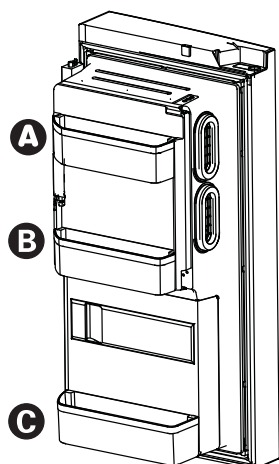
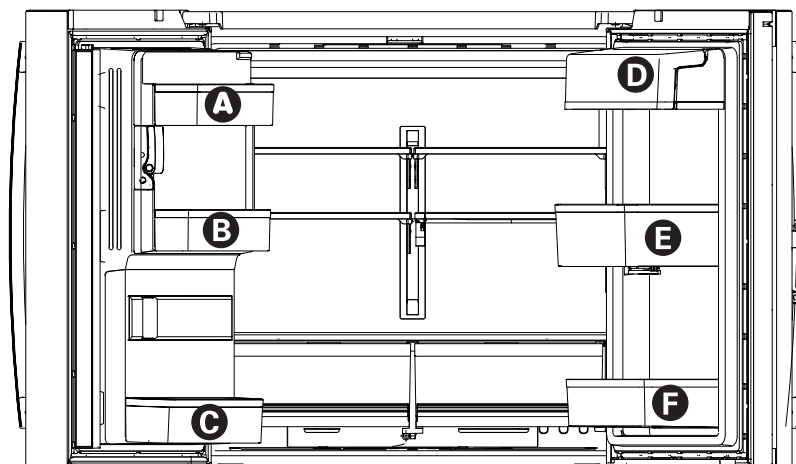
Point de réglage



# Instructions d'installation

## INSTALLATION DU RÉFRIGÉRATEUR (suite)

Modèle Profile quatre portes, modèles avec une porte double

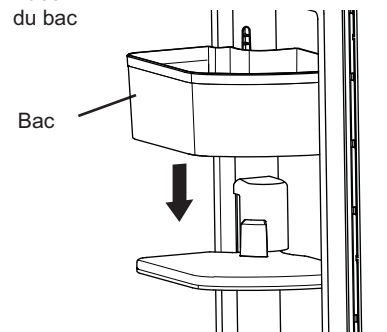
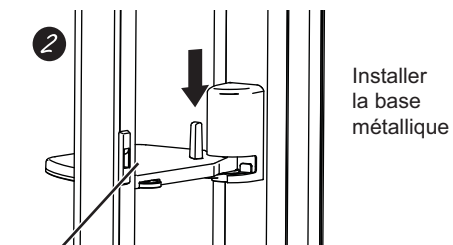
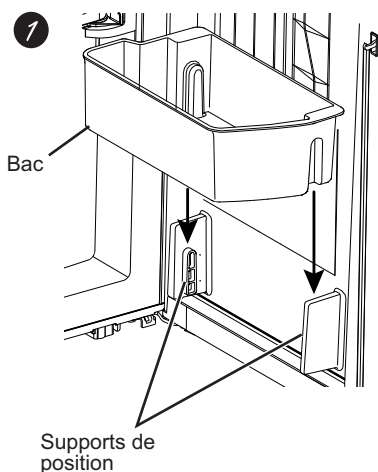


### Pour positionner les bacs dans les portes :

1 Placez les bacs au dessus des supports de position et poussez vers le bas jusqu'à ce qu'ils se verrouillent en position.

### 2 Pour placer le bac pivotant dans la porte :

1. Glissez la base du bac sur le support de la porte.
2. Glissez le bac sur sa base.



# Instructions d'installation

## INSTALLATION DE LA CONDUITE D'EAU

### AVANT DE COMMENCER

Nous recommandons les trousse d'alimentation d'eau en cuivre WX8X2, WX8X3, WX8X4, selon la longueur de tuyau dont vous avez besoin. Nous approuvons les conduites d'eau en matière plastique SmartConnect™ Refrigerator Tubing (WX08X10006, WX08X10015 et WX08X10025).

Si vous installez un système d'eau à osmose inverse GE Appliances dans votre réfrigérateur, la trousse GE Appliances RVKIT est la seule installation approuvée. Pour les autres systèmes à osmose inverse, suivez les recommandations du fabricant.

Si l'alimentation d'eau du réfrigérateur provient d'un système de filtration de l'eau par osmose inverse (OI) ET si votre réfrigérateur est équipé d'un filtre à eau, utilisez le bouchon de dérivation du filtre du réfrigérateur. En cas d'utilisation de la cartouche de filtration d'eau du réfrigérateur associée à un filtre à OI peut produire des glaçons creux. Certains modèles ne sont pas équipés d'un bouchon de dérivation de filtre. Pour obtenir une prise de dérivation, appelez au 1-800-692-6630 et demandez la prise de dérivation no WR17X33825. Au Canada, appelez au 1-800-561-3344.

L'installation de cette conduite d'eau n'est pas garantie par le fabricant du réfrigérateur ou de la machine à glaçons. Suivez attentivement ces instructions afin de minimiser le risque de fuite d'eau et de dommages onéreux.

Les coups de bélier (coups dans les tuyaux) dans la tuyauterie de la maison peuvent endommager les pièces de votre réfrigérateur et provoquer des fuites d'eau ou des inondations. Appelez un plombier certifié pour corriger les coups de bélier avant de brancher l'alimentation en eau au réfrigérateur.

Pour prévenir les brûlures et éviter d'endommager votre produit, ne branchez pas le tuyau d'eau à une conduite d'eau chaude.

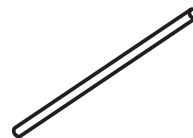
Si le réfrigérateur est mis en marche avant le raccordement de l'alimentation d'eau à la machine à glaçons, voir la section Commandes de la page 9 pour la désactivation de la machine à glaçons.

Ne pas installer la tubulure de la machine à glaçons à des endroits où la température baisse sous le point de congélation.

Lors de l'utilisation d'un appareil électrique (tel qu'une perceuse) durant l'installation, s'assurer que celui-ci est doublement isolé et qu'il est mis à la terre de façon à prévenir les chocs électriques, ou qu'il est alimenté par batterie.

Toutes les installations doivent être conformes aux codes de plomberie locaux.

### PIÈCES NÉCESSAIRES



- Tuyaux en cuivre ou trousse SmartConnect™ Refrigerator Tubing, diamètre extérieur d'¼ po pour brancher le réfrigérateur à l'alimentation d'eau. Si vous utilisez un tuyau en cuivre, les deux extrémités du tuyau doivent être coupées bien droit.

Pour déterminer la longueur de tuyau dont vous avez besoin : mesurez la distance entre le robinet d'eau à l'arrière du réfrigérateur et le tuyau d'alimentation en eau. Assurez-vous d'avoir une longueur de tuyau suffisante pour permettre d'éloigner le réfrigérateur du mur après l'installation.

Les trousse de tuyauterie pour réfrigérateur SmartConnect™ sont disponibles dans les longueurs suivantes :

8 pi (2,4 m) - WX08X10006

15 pi (4,6 m) - WX08X10015

25 pi (7,6 m) - WX08X10025

### ⚠ AVERTISSEMENT

Raccordez-vous à une alimentation en eau potable seulement. Une alimentation en eau potable est requise pour le fonctionnement de la machine à glaçons. La pression d'eau doit se situer entre 40 et 120 psi (275 à 827 kilopascals).

# Instructions d'installation

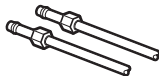
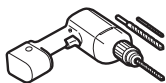
## INSTALLATION DE LA CONDUITE D'EAU (suite)

### PIÈCES NÉCESSAIRES (suite)

**REMARQUE :** Les seuls tuyaux en plastique autorisés par GE Appliances sont fournis avec la trousse SmartConnect™ Refrigerator Tubing. N'utilisez pas d'autres tuyaux d'alimentation d'eau en plastique, cette ligne étant sous pression en permanence. Certains types de plastique peuvent se fissurer ou se rompre avec le vieillissement et causer des dégâts d'eau dans votre maison.

- Vous pouvez vous procurer une trousse de branchement à l'alimentation d'eau (contenant tuyau, robinet, raccords et instructions) auprès de votre fournisseur ou [Electromenagersge.ca/fr/produits/filtres-et-accessoires](http://Electromenagersge.ca/fr/produits/filtres-et-accessoires).
- Alimentation en eau froide La pression de l'alimentation d'eau doit être entre 20 et 120 psi (1,4 à 8,1 bar).

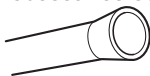
- Perceuse électrique.
- Clé d'1/2 po ou clé réglable
- Un tournevis à tête plate et un tournevis cruciforme.



- Deux écrous à compression d'un diamètre extérieur de 1/4 po et deux bagues (manchons)—pour brancher le tuyau en cuivre au robinet d'arrêt et au robinet d'eau du réfrigérateur.

OU

- Si vous utilisez une trousse SmartConnect™ Refrigerator Tubing, les raccords nécessaires sont déjà assemblés au tuyau.



- Si votre canalisation d'eau actuelle en cuivre est équipée d'un raccord évasé à une extrémité, vous aurez besoin d'un adaptateur (que vous trouverez dans votre magasin de matériel de plomberie) pour brancher le tuyau d'eau au réfrigérateur, OU BIEN vous pouvez couper le raccord évasé à l'aide d'un coupe-tube, puis utiliser un raccord à compression. Ne coupez jamais l'extrémité finie d'un tuyau de la trousse SmartConnect™ Refrigerator Tubing.



- Robinet d'arrêt pour brancher le tuyau d'eau froide. Le robinet d'arrêt doit avoir une entrée d'eau avec un diamètre intérieur minimal de 5/32 po au point de jonction avec le TUYAU D'EAU FROIDE. Des robinets d'arrêt de type vanne à étrier sont souvent inclus dans les trousse d'alimentation d'eau. Avant d'en acheter, assurez-vous que ce type de robinet est conforme à vos codes de plomberie locaux.

Installez le robinet d'arrêt sur la canalisation d'eau potable la plus proche.

### 1 FERMETURE DE L'ALIMENTATION D'EAU PRINCIPALE

Ouvrez le robinet le plus proche pour purger l'eau des tuyauteries.

### 2 CHOISISSEZ L'EMPLACEMENT DU ROBINET

Choisissez un emplacement pour le robinet qui soit facilement accessible. Il est préférable de se connecter sur le côté d'un tuyau vertical. Si vous devez vous connecter à un tuyau horizontal, faites le branchement vers le haut ou sur le côté, plutôt qu'en bas du tuyau pour éviter de recevoir des sédiments provenant de la conduite d'eau.

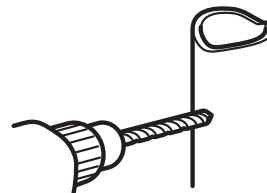


### 3 PERCAGE D'UN TROU POUR LE ROBINET

Percez un trou de 1/4 po dans le tuyau d'eau, à l'aide d'un foret dur, même si vous utilisez un robinet auto-forant. Enlevez toutes les bavures dues au perçage du trou dans le tuyau.

Veillez à ne pas laisser l'eau couler dans votre perceuse.

Si vous ne percez un trou d' 1/4 po, votre production de glace ainsi que la taille des glaçons seront réduites.

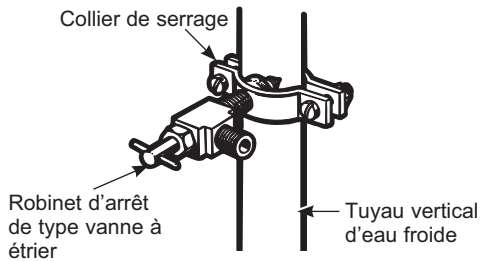


# Instructions d'installation

## INSTALLATION DE LA CONDUITE D'EAU (suite)

### 4 FASTEN THE SHUTOFF VALVE

1. Fixez le robinet d'arrêt à la canalisation d'eau froide à l'aide du collier de serrage.

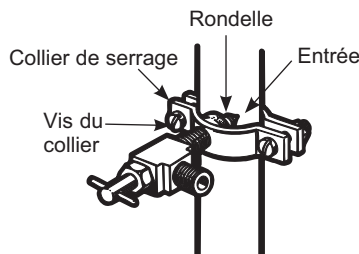


**REMARQUE :** L'installation sera conforme aux codes de plomberie 248CMR du Commonwealth du Massachusetts. L'utilisation de robinets-vannes à étrier sont interdites au Massachusetts. Demandez l'avis de votre plombier qualifié.

### 5 SERRAGE DU COLLIER

Serrez les vis du collier jusqu'à ce que la rondelle d'étanchéité commence à enfler.

**REMARQUE :** Ne serrez pas trop, vous risquez d'écraser le tuyau.



### 6 PASSAGE DU TUYAU

Faites passer le tuyau entre la conduite d'eau froide et le réfrigérateur.

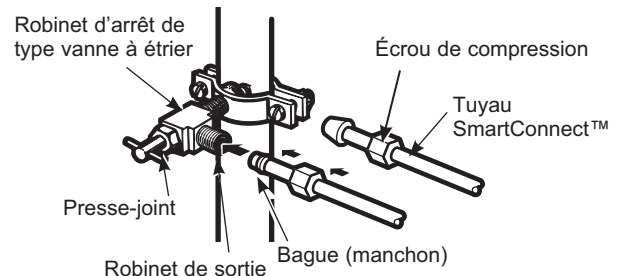
Faites passer le tuyau par un trou percé dans le mur ou le plancher (derrière le réfrigérateur ou au niveau du placard adjacent) aussi près du mur que possible.

### 7 BRANCHEMENT DU TUYAU AU ROBINET

Placez un écrou de compression et une bague (manchon) à l'extrémité du tuyau et branchez-les au robinet d'arrêt.

Assurez-vous que le tuyau soit bien inséré dans le robinet. Serrez bien l'écrou de compression.

Pour le tuyau en matière plastique d'une trousse SmartConnect™ Refrigerator Tubing, insérez l'extrémité moulée du tuyau dans le robinet d'arrêt et serrez l'écrou de compression à la main, puis serrez d'un tour supplémentaire avec une clé. Des fuites peuvent survenir si l'écrou est trop serré.



**REMARQUE :** L'installation sera conforme aux codes de plomberie 248CMR du Commonwealth du Massachusetts. L'utilisation de robinets-vannes à étrier sont interdites au Massachusetts. Demandez l'avis de votre plombier qualifié.

### 8 PURGE DU TUYAU

Ouvrez le robinet d'alimentation principale d'eau et purgez le tuyau jusqu'à ce que l'eau soit claire.

Fermez l'eau au niveau du robinet d'eau après écoulement d'environ 1 litre (1 quart) d'eau par le tuyau ou au bout de 2 minutes.



Pour terminer l'installation du réfrigérateur, retournez à l'étape 12 de la section Installation du réfrigérateur.

# Conditions normales de fonctionnement

Les réfrigérateurs plus récents font des bruits différents de ceux des anciens.

Les réfrigérateurs modernes proposent plus de fonctions et sont plus avancés sur le plan technologique.

## Entendez-vous ce que j'entends ? Ces conditions sont normales.

**HUMMM...**

**WHOOSH...**

- Le nouveau compresseur à rendement élevé peut fonctionner plus longtemps et plus vite que votre ancien réfrigérateur et vous pouvez entendre un son modulé ou un ronflement aigu pendant son fonctionnement.
- Vous entendrez peut-être un sifflement lorsque les portes se ferment.
- Ceci est dû à l'équilibrage de la pression dans le réfrigérateur. Après distribution de glace, un moteur ferme la goulotte de glace pour empêcher l'air tiède ambiant d'entrer dans le seau à glace, permettant ainsi de maintenir la glace à une température en dessous de zéro. Le ronronnement du moteur fermant la goulotte de glaçons est normal, quelques instants après la distribution de glace.



- Vous pouvez entendre les ventilateurs tourner à hautes vitesses. Cela se produit lorsque le réfrigérateur vient d'être branché, lorsque les portes sont ouvertes fréquemment ou lors de l'ajout d'une grande quantité d'aliments dans le réfrigérateur ou le congélateur. Les ventilateurs permettent de maintenir les bonnes températures.
- La vitesse des ventilateurs varie pour fournir un refroidissement et une économie d'énergie optimum.

## CLICS, CRAQUEMENTS ET CLAQUEMENTS

- Vous entendrez peut-être des craquements ou des bruits secs lorsque le réfrigérateur vient d'être branché. Ceci se produit lorsque le réfrigérateur se refroidit pour atteindre la bonne température.
- L'expansion et la contraction des serpentins de refroidissement pendant et après le dégivrage peuvent provoquer des craquements ou des claquements.
- Sur les modèles équipés d'une machine à glaçons, après un cycle de fabrication de glaçons, vous entendrez les glaçons tomber dans le seau à glace.
- Sur les modèles équipés d'un distributeur, au cours de la distribution d'eau, vous entendrez peut-être le déplacement des tuyaux d'eau au début de la distribution et après avoir relâché le bouton du distributeur.
- Ceci est dû à l'équilibrage de la pression dans le réfrigérateur. Après distribution de glace, un moteur ferme la goulotte de glace pour empêcher l'air tiède ambiant d'entrer dans le seau à glace, permettant ainsi de maintenir la glace à une température en dessous de zéro.

## BRUITS D'EAU



- La circulation du liquide frigorigène dans le système provoque parfois des gargouillements comme de l'eau en ébullition.
- L'eau qui tombe sur le chauffage de dégivrage peut parfois provoquer des crépitements, des bourdonnements pendant le cycle de dégivrage.
- Vous entendrez peut-être des bruits de ruissellement pendant le cycle de dégivrage quand la glace sur l'évaporateur fond et coule dans le bac collecteur.
- La fermeture de la porte peut provoquer un gargouillement dû à l'équilibrage de la pression.

## REFROIDISSEMENT AU DÉMARRAGE


24 heures peuvent être nécessaires pour que les températures dans le réfrigérateur et le congélateur correspondent à celles affichées à l'écran. Pendant ce temps, il est préférable de réduire au maximum l'ouverture des portes du réfrigérateur et du congélateur.

### CONSEILS

- Le congélateur se refroidit en premier.
- Le compartiment de réfrigération se refroidit en dernier, cela peut prendre plusieurs heures après le congélateur.
- En éteignant la machine à glaçons, les aliments dans le congélateur et le réfrigérateur se refroidissent plus rapidement.

# Conseils de dépannage... Avant de faire un appel de service

Économisez temps et argent! Consultez d'abord les tableaux des pages suivantes et vous pourriez vous éviter un appel de service.

Problème	Causes Possibles	Solution
<b>Il n'y a pas de filtrage</b>	Le bouchon de filtration du filtre est installé Contrôles B et C	Installez un filtre à eau approprié
<b>Réinitialisation du filtre à eau Filtre à eau périmé</b>	Le filtre à eau fuit ou doit être remplacé.	Remplacez le filtre à eau, ou installez le bouchon de dérivation*. Pour réinitialiser le temporisateur du filtre, appuyez sur le bouton Settings (réglages) (  ) jusqu'à ce que le mot « Icemaker » (machine à glaçons) s'allume puis maintenez simultanément les boutons « Water » et « Ice » enfoncés pendant trois (3) secondes.
Le voyant du filtre à eau reste allumé après le remplacement du filtre	Filtre à eau ou bouchon de dérivation installé à l'envers ou mauvais type de filtre installé.	Retirez le filtre ou le bouchon de dérivation, faites-le tourner de 180 degrés et réinstallez-le.
<b>La poignée est lâche/Il y a un espace vide au niveau de la poignée.</b>	La poignée doit être ajustée.	Consultez les sections Fixation de la Poignée du Compartiment de Réfrigération et Fixation de la Poignée du Congélateur pour des instructions détaillées.
<b>Le voyant lumineux du filtre à eau est éteint</b>	Ceci est normal. Ce voyant s'allume pour vous signaler que le filtre devra bientôt être remplacé.	Consultez la section <i>A propos du Filtre à Eau</i> pour de plus amples informations.
<b>La poignée est lâche/Il y a un espace vide au niveau de la poignée.</b>	La poignée doit être ajustée.	Consultez les sections Fixation de la Poignée du Compartiment de Réfrigération et Fixation de la Poignée du Congélateur pour des instructions détaillées.
<b>Le réfrigérateur bipe</b>	Il s'agit de l'alarme de la porte	Arrêtez-la ou désactivez-la avec la porte fermée. Si la porte est ouverte et l'alarme retentit, vous ne pouvez qu'arrêter l'alarme.
<b>Pas de refroidissement</b>	Le système de refroidissement est éteint	Consultez la section <i>A propos des commandes</i>
<b>L'eau a un mauvais goût ou une mauvaise odeur</b>	Le distributeur d'eau n'a pas été utilisé pendant une longue période.	Tirez de l'eau jusqu'à ce que toute l'eau du système soit remplacée.
<b>L'eau dans le verre est tiède*</b>	Ceci est normal lorsque le réfrigérateur vient d'être branché	Attendez 24 heures pour que le réfrigérateur refroidisse complètement
	Le distributeur d'eau n'a pas été utilisé pendant une longue période	Tirez de l'eau jusqu'à ce que toute l'eau du système soit remplacée.
	Le système d'eau a été vidangé	Attendez quelques heures pour que l'eau se refroidisse.
<b>Le distributeur d'eau ne fonctionne pas</b>	Le robinet d'eau est fermé ou n'est pas branché.	Consultez la section <i>Installation de la conduite d'eau</i>
	Le filtre à eau est bouché ou le filtre/le bouchon de dérivation n'est pas installé	Remplacez la cartouche de filtre ou retirez le filtre et installez le bouchon de dérivation**.
	De l'air peut être piégé dans le système d'eau.	Appuyez sur le bras de distribution pendant au moins 5 minutes.
	L'eau dans le réservoir est gelée parce que les commandes sont réglées sur une température trop froide.	Réglez la commande du réfrigérateur sur une température plus élevée et attendez 24 heures. Si le distributeur ne donne pas d'eau au bout de 24 heures, contactez un réparateur
<b>L'eau jaillit du distributeur</b>	La cartouche du filtre vient d'être installée	Faites couler l'eau du distributeur pendant 5 minutes (environ 2 gallons ou 7,5 litres).

\*Certains modèles ne sont pas équipés d'un bouchon de dérivation de filtre. Pour obtenir une prise de dérivation, appelez au 1-800-692-6630 et demandez la prise de dérivation no WR17X33825. Au Canada, appelez au 1-800-561-3344.

## Conseils de dépannage... Avant de faire un appel de service

Problème	Causes Possibles	Solution
Pas de production d'eau ou de glaçons	La ligne d'alimentation ou le robinet d'arrêt est bouché	Appelez un plombier
	Le filtre à eau est bouché	Remplacez la cartouche de filtre ou retirez le filtre et installez le bouchon de dérivation**.
	La cartouche du filtre n'est pas correctement installée	Retirez et réinstallez la cartouche de filtre, en étant certain qu'elle est bien verrouillée
	La machine à glaçons est éteinte	Vérifier que la machine à glaçons est en marche Consultez la section <i>À propos de la machine à glaçons automatique</i>
L'eau jaillit du distributeur*	L'air est peut être présent dans le système d'alimentation en eau, amenant l'eau à goûter après distribution	Distribuez de l'eau pendant au moins 5 minutes pour éliminer l'air du système
AUTO FILL (Remplissage automatique) : Remplissage manquant/Pas de remplissage*	Tout récipient ne peut pas servir pour le <b>AUTO FILL</b> (remplissage automatique).	Essayer un récipient différent
	Message d'erreur.	Voir p.11 Nettoyez le capteur. Voir p.11
Débordements dus au <b>AUTO FILL</b> (remplissage automatique) *	Tout récipient ne peut pas servir pour le <b>AUTO FILL</b> (remplissage automatique).	Essayez un contenant différent. Utilisez moins de glace. Assurez-vous que vos mains sont éloignées de la tasse avant d'appuyer sur la touche AutoFill (remplissage automatique).
Le congélateur refroidit mais pas le compartiment de réfrigération	Ceci est normal lorsque le réfrigérateur vient d'être branché ou après une panne d'électricité d'une longue durée.	Attendez 24 heures pour que la température dans les deux compartiments atteigne les températures sélectionnées.
Le distributeur de glace s'ouvre après la fermeture du tiroir du congélateur*	Normal	La porte du distributeur de glace peut s'ouvrir après la fermeture de la porte du congélateur pour permettre l'accès
La porte de mon réfrigérateur grince	Diminution de lubrifiant causée par son nettoyage accidentel sur la charnière.	Il est préférable de commander le lubrifiant GEA, numéro de pièce WR97X166, et de l'appliquer sur la charnière à l'endroit indiqué. Il est possible de vaporiser certains lubrifiants non toxiques tels que l'enduit à cuisson antiadhésif à base de silicone, la gelée de pétrole ou un lubrifiant alimentaire approuvé NSF. <b>IMPORTANT</b> : N'utilisez pas le WD-40 car il éliminera toute graisse résiduelle dans et autour de la charnière.
	Nivellement incorrect	Assurez-vous que l'appareil est de niveau
	Si les portes ont été enlevées et remontées lors de l'installation, le tuyau d'eau et le faisceau de fils sous le couvercle de charnière supérieure peuvent s'être déplacés et frotter contre la porte lorsqu'elle pivote.	Retirez le couvercle de charnière supérieure et assurez-vous que le tuyau d'eau et le faisceau de fils qui passent à travers l'axe de charnière ont été correctement placés et qu'ils ne touchent aucune pièce de porte pendant la rotation. L'application d'un lubrifiant de qualité alimentaire autour du manchon de porte peut aussi aider.
Aucun article trouvé après la numérisation	Toutes les étiquettes ne sont pas compatibles avec le scanner. Mauvaise connexion au Wi-Fi Vérifiez la puissance du signal WiFi de votre téléphone près de l'appareil. Réinitialisez le WiFi. Repositionnez le routeur WiFi.	Ajoutez un article à la liste d'achats à l'aide de la fonction vocale. Réinitialisez l'interface utilisateur SBC (user interface) avec une pression multiple sur l'interface utilisateur du tiroir convertible.
Aucun balayage n'est lu	Obstruction sur le scanner	Nettoyez le capteur. Voir à la page 12 Vérifiez la position de l'étiquette. Voir à la page 12

# Conseils de dépannage... Avant de faire un appel de service

Problème	Causes Possibles	Solution
L'affichage indique « item not found » (élément non trouvé) lors de la numérisation.	Article non trouvé dans la base de données.	Tentez de relancer la numérisation. Numérisez un produit compatible reconnu. Ajoutez un article par commande vocale. Ajoutez l'article manuellement à partir du réfrigérateur ou de l'application SmartHQ.
Le témoin DEL du lecteur de codes-barres n'est pas activé	Lecteur de codes-barres désactivé	Activer à partir du menu Settings (paramètres)
	DEL désactivée	Activer à partir du menu Settings (paramètres)
	Problème de détection de présence	Voir la section Détection de Présence
	Connexion Wi-Fi	Vérifiez la connexion Wi-Fi sur l'affichage
L'article ne se numérise pas (aucune réponse à l'écran)	Étiquette non prise en charge	Certains formats de code-barres ne sont pas pris en charge, comme le QR. Certains codes-barres de fabricant peuvent ne pas figurer dans la base de données prise en charge. Ajoutez l'article par commande vocale. Ajoutez-le via l'application SmartHQ.
	Éclairage ambiant	Augmentez l'éclairage dans la cuisine ou activez la lumière « Recess » (lumière encastrée), puis relancez la numérisation. Essayez de modifier la distance de l'étiquette, soit en l'éloignant, soit en la rapprochant du numériseur, en vous assurant que le témoin DEL éclaire l'étiquette.
	Format de l'étiquette	Pour les petites étiquettes, rapprochez-vous. Pour les grandes étiquettes, éloignez-vous. Pour les surfaces courbes, essayez d'aplatir l'étiquette. Essayez de réinitialiser l'appareil à l'aide de « Multi-key » (touche multi).
	Dommages à l'étiquette	Inspectez l'étiquette pour détecter la saleté, les dommages, la courbure ou les plis.
	Réflexivité	Vérifiez la présence de reflets sur la surface de l'étiquette et éliminez ou masquez la source de lumière supplémentaire.
	Orientation de l'étiquette	Déplacez l'étiquette de façon à ce que la zone la plus large soit orientée vers la lentille du lecteur de codes à barres. Ajustez l'étiquette pour qu'elle soit inclinée d'environ 45 degrés par rapport à la surface d'affichage. Essayez de modifier la distance de l'étiquette, soit en l'éloignant, soit en la rapprochant du lecteur, avec la DEL indicatrice éclairant l'étiquette.
	Obstruction de la lentille	Déplacez l'étiquette de façon à présenter la zone la plus large vers la lentille du lecteur de code-barres. Essuyez délicatement avec un linge humide. Voir la section Utilisation et entretien – Nettoyage.
	Connexion Wi-Fi	Tentez de relancer la numérisation. Vérifiez la connexion wifi sur l'affichage.
	Blocage Logiciel	Réinitialisez l'appareil à l'aide de l'interface utilisateur Convertible Drawer. Ouvrez le tiroir, déverrouillez la commande et maintenez simultanément les touches Meat (viande) et Snacks (collations) enfoncées pendant 3 secondes. Tous les réglages de l'appareil seront réinitialisés.
Portes Ouvertes	Assurez-vous que toutes les portes sont fermées pour que le scanner soit actif..	
Mauvais article affiché	La base de données utilise le même numéro de produit pour plusieurs articles.	Tentez de relancer la numérisation. Essayez de modifier l'orientation et la distance de l'étiquette avant de relancer la numérisation. Ajouter un article par commande vocale ou via SmartHQ.

## Conseils de dépannage... Avant de faire un appel de service

Problème	Causes Possibles	Solution
Les images de la caméra Fridge Focus ne s'affichent pas dans l'application SmarthQ.	Vérifiez l'état de l'obturateur de la caméra	Ouvrez le volet ou retirez les obstructions
	Vérifiez la position de la caméra et l'absence d'obstructions.	Ajustez la caméra et tout objet intermédiaire afin d'obtenir la meilleure vue possible des tiroirs.
	Matériau d'emballage restant	Retirez tout le matériel d'emballage des tiroirs qui pourrait obstruer la garniture argentée des tiroirs à fruits et légumes.
	Vérifiez la propreté de la lentille	Essayez délicatement avec un linge humide. Voir la section Nettoyage dans Utilisation et entretien.
	Caméra désactivée	Assurez-vous que la caméra est activée dans le menu Settings (paramètres).
	Durée	En général, laisser les tiroirs ouverts pendant 4 à 5 secondes donnera les meilleurs résultats pour les images des tiroirs. Ouvrez la porte pendant 10 secondes, ouvrez le bac à légumes pendant 20 secondes, refermez tout, attendez quelques minutes, puis vérifiez dans SmarthQ si les images s'affichent.
	Connexion Wi-Fi	Vérifiez la connexion Wi-Fi sur l'affichage. Vérifiez la puissance du signal Wi-Fi dans le menu Settings (« Paramètres »). Un signal inférieur à -90 dB peut entraîner une performance réduite. Vérifiez également que l'application SmarthQ indique que votre appareil est bien connecté à votre compte.
Aucun bruit audible	Paramètres	Vérifiez que le haut-parleur est activé et augmentez le volume à partir du menu « Settings » (paramètres).
Audio déformé	Paramètres	Vérifiez que le haut-parleur est activé et augmentez le volume à partir du menu « Settings » (paramètres).
	Obstruction	Vérifiez qu'aucun obstacle ni matériau ne se trouve sur la surface du haut-parleur.
	Verrouillage logiciel	Réinitialisez l'appareil à l'aide de l'interface utilisateur Convertible Drawer. Ouvrez le tiroir, déverrouillez la commande et maintenez simultanément les touches Meat (viande) et Snacks (collations) enfoncées pendant 3 secondes. Toutes les commandes de l'appareil seront réinitialisées.
Aucune réponse à l'écran tactile ou écran figé	Verrouillage logiciel	Réinitialisez l'appareil à l'aide de l'interface utilisateur Convertible Drawer. Ouvrez le tiroir, déverrouillez la commande et maintenez simultanément les touches Meat (viande) et Snacks (collations) enfoncées pendant 3 secondes. Toutes les commandes de l'appareil seront réinitialisées.
Les voyants « Recess Light », « Display » et « Aiming LED » ne s'activent pas lorsque vous êtes devant l'appareil.	Article obstruant	Long Term presence of an object (such as a kitchen island or tall chair) within 40"-60" of front of unit may cause the presence sensing algorithm to be disabled. Move the obstructing object and algorithm should reset within ~8 hours.
	Material	Certains tissus ou couleurs de vêtements peuvent être plus difficiles à détecter, comme la laine polaire foncée ou rugueuse. Touchez l'écran et la DEL de visée devrait s'activer.
Arrêt prématuré de Precisefill	Positionnement du contenant	Voir la section Autofill

# Mythe ou réalité

**ENTRETIEN** Avant d'appeler un technicien, consultez les conseils de dépannage détaillées dans le mode d'emploi. Si nécessaire, le service peut être prévue en nous visitant notre site web [electromenagersge.ca](http://electromenagersge.ca).

## Mythe ou réalité

Mythe ou réalité ?	Réponse	Explication
Le filtre à eau du réfrigérateur peut nécessiter un remplacement en-deçà de six mois.	VRAI	Le voyant du filtre à eau indiquera la nécessité de remplacer le filtre tous les six mois, ou suite à la distribution de 644 litres (170 gallons) d'eau (certains modèles seulement). Si le débit d'eau du distributeur ralentit ou si la production de glace diminue, le filtre à eau doit être remplacé, même si l'indicateur de filtre peut ne pas indiquer la nécessité d'un remplacement.
La machine à glaçons automatique dans mon réfrigérateur produira de la glace lorsque le réfrigérateur est branché à une prise secteur.	MYTHE	Le réfrigérateur doit être raccordé à une alimentation en eau et la machine à glaçons doit être allumée. Assurez-vous que la machine à glaçons est en marche, mais seulement après avoir raccordé le système à l'alimentation en eau et que celle-ci est ouverte. La machine à glaçons peut être allumée ou éteinte à partir des commandes. Veillez à ce que la machine à glaçons soit en marche, comme indiqué sur le panneau de commande du réfrigérateur. Consultez la section <i>À propos de la machine à glaçons automatique</i> .
Une fois que le réfrigérateur est branché à une prise électrique et raccordé à une alimentation en eau, j'aurai immédiatement des quantités illimitées d'eau glacée disponibles au distributeur d'eau.	MYTHE	Le bac du distributeur d'eau situé à l'intérieur du réfrigérateur sert à stocker l'eau à distribuer. 24 heures sont nécessaires pour que l'eau de ce réservoir soit refroidie après l'installation. Une utilisation trop importante ne permet pas à l'eau de se refroidir.
Après distribution d'une quantité d'eau, la présence de quelques gouttes d'eau est normale.	VRAI	Quelques gouttes d'eau peuvent tomber du distributeur après que le bras de distribution ait été relâché. Pour minimiser les pertes, retirez lentement votre verre du distributeur.
Il n'y aura jamais de givre dans le compartiment de congélation.	MYTHE	La présence de givre dans le congélateur indique généralement que la porte n'est pas bien fermée ou a été laissée ouverte. En cas de givre, éliminez le l'aide d'une spatule en plastique et d'un torchon. Puis vérifiez qu'aucun aliment ou conteneur empêche la fermeture de la porte du congélateur. Vérifiez sur le panneau de contrôle du réfrigérateur si l'alarme de la porte est activée.
Après installation du réfrigérateur ou après le remplacement de la cartouche filtrante, je dois tirer de l'eau pendant cinq minutes.	VRAI	Un réfrigérateur ou un filtre à eau nouvellement installé contient de l'air dans les tuyaux d'eau. Appuyez sur le bras du distributeur pour tirer de l'eau froide pendant au moins 5 minutes pour éliminer l'air du tuyau d'alimentation en eau et rincer le filtre.
Pour remplir le seau à glace jusqu'à sa capacité maximale, je dois distribuer des glaçons environ 12 à 18 heures après l'installation.	VRAI	La distribution de 3 ou 4 glaçons, entre 12 heures et 18 heures après l'installation, permet à la glace de se disperser dans le seau à glace. Celui-ci indique à la machine à glaçons de produire des glaçons supplémentaires. Production normale de glaçons = 100 glaçons en 24 heures.
Je peux utiliser le bouchon de dérivation du filtre à eau pour déterminer si le filtre doit être remplacé.	VRAI	La réduction de débit du distributeur d'eau ou de la production de glace peut indiquer la nécessité de remplacer le filtre à eau. Installez le bouchon de dérivation du filtre à eau (fourni avec le réfrigérateur sur certains modèles*), et vérifiez le débit au niveau du distributeur. Si le débit d'eau revient à la normale avec le bouchon de dérivation en place, remplacez le filtre à eau.
La partie supérieure de la porte du réfrigérateur sera toujours alignée.	MYTHE	Plusieurs facteurs peuvent affecter l'alignement des portes du compartiment de réfrigération, y compris le sol sur lequel le réfrigérateur est installé et la quantité d'aliment (charge) dans les portes. Si les parties supérieures des portes du compartiment de réfrigération ne sont pas alignées, utilisez une clé Allen de 6,3 mm (1/4 po) pour ajuster les portes gauche et droite. La vis de réglage se trouve sur le côté inférieur gauche ou droit de la porte. Ouvrez la porte du congélateur pour accéder à cette vis.
Les poignées de porte du réfrigérateur peuvent être facilement resserrées.	VRAI	Si les poignées de porte sont lâches ou s'il y a un espace vide au niveau de la poignée, celle-ci peut être ajustée à l'aide d'un clé Allen d' 1/8 po sur les vis de réglage situées sur les extrémités des poignées.
Il peut y avoir des problèmes d'odeur et de goût avec votre glace.	VRAI	Après la mise en marche de la machine à glaçons, jetez les premières 24 heures de production de glace pour éviter tous problème d'odeur et de goût.
Je peux effectuer des réglages précis des portes du compartiment de réfrigération pour les aligner.	VRAI	Si les portes du compartiment de réfrigération ne sont pas alignées, utilisez une clé Allen d' 1/4 po pour ajuster la porte de droite. La vis de réglage est située au bas de les portes gauche et droite. Ouvrez la porte du congélateur pour y accéder.

## Mythe ou réalité

**ENTRETIEN** Avant d'appeler un technicien, consultez les conseils de dépannage détaillées dans le mode d'emploi. Si nécessaire, le service peut être prévue en nous visitant notre site web [electromenagersge.ca](http://electromenagersge.ca).

### Mythe ou réalité

Truth or Myth?	Answer	Explanation
Les poignées de porte doivent toujours être retirées pour l'installation.	MYTHE	Si les portes doivent être retirées ou si le réfrigérateur passe facilement dans les ouvertures, ne retirez pas les poignées. Ajustez les poignées qui sont lâches ou s'il y a un espace vide au niveau de celles-ci, en ajustant les vis de réglage à chaque extrémité des poignées.
Les portes doivent toujours être retirées pour l'installation.	MYTHE	Consultez le tableau au verso de ces instructions. Les portes doivent uniquement être enlevées lorsque cela est nécessaire pour prévenir les dommages provoqués par des ouvertures trop étroites ou pour accéder à l'emplacement final.
Les portes du réfrigérateur vont se fermer d'elles-mêmes si elles sont laissées ouvertes.	MYTHE	Les portes du réfrigérateur doivent être fermées par l'utilisateur. Certains modèles sont dotés d'une fonction procurant un léger rebond qui génère une réaction positive de l'utilisateur afin qu'il puisse compléter la fermeture de la porte.
Les roues arrière peuvent être ajustées.	MYTHE	Les pieds de nivellement avant sont réglables et doivent être utilisés pour équilibrer le réfrigérateur. Les pieds de nivellement sont utilisés pour procéder au réglage initial de la porte réfrigérateur.
Vérifiez l'absence de fuites d'eau après avoir effectué tous les raccordements.	VRAI	Lorsque vous purgez l'air du système, vérifiez l'absence de fuites au niveau de toutes les connexions. Vérifiez la connexion à l'alimentation en eau du domicile à l'arrière du réfrigérateur ainsi que la connexion de ce tuyau au niveau de la porte.
Tout résidu d'emballage peut être nettoyé à l'aide de n'importe quel détergent.	MYTHE	N'utilisez pas de cire, de javellisant ou de tout autre produit contenant du chlore sur les panneaux, les poignées de porte et les garnitures en acier inoxydable. Vérifiez ces instructions dans la section Nettoyage de l'extérieur du réfrigérateur pour plus de détails.

\*Certains modèles ne sont pas équipés d'un bouchon de dérivation de filtre. Pour obtenir une prise de dérivation, appelez au 1-800-692-6630 et demandez la prise de dérivation no WR17X33825. Au Canada, appelez au 1-800-561-3344.

# GE Appliances Garantie Limitée du Réfrigérateur

**GARANTIE LIMITÉE**

electromenagersge.ca

Toutes les réparations en vertu de la garantie sont fournis par nos Centre de Service d'Usine ou par un technicien autorisé Customer Care®. Pour prévoir une réparation, consultez notre site [electromenagersge.ca/fr/soutien/demande-de-service](http://electromenagersge.ca/fr/soutien/demande-de-service) ou appelez le 800.661.1616. Veuillez avoir votre numéro de série et votre numéro de modèle à portée de main lorsque vous appelez pour obtenir un service.

**Pour le diagnostic, la réparation de votre réfrigérateur peut nécessiter l'utilisation du port de données embarqué. Celui-ci permet au technicien de réparation GE Appliances de diagnostiquer rapidement des problèmes avec votre appareil. Il permet également à GE Appliances d'améliorer ses produits en fournissant à ces derniers des informations sur votre appareil. Si vous ne voulez pas que les données de votre appareil soient envoyées à GE Appliances, veuillez demander à votre technicien de NE PAS soumettre les données à GE Appliances pendant la réparation.**

Pendant la période de garantie de :	GE Appliances remplacera :
<b>Un An</b> A compter de la date d'achat initial	<b>Toute pièce</b> du réfrigérateur qui s'avère défectueuse en raison d'un défaut de matériau ou de fabrication. Pendant la validité de la <b>présente garantie limitée</b> d'un an, GE Appliances fournira également gratuitement la main d'œuvre et le service pour réparer la pièce défectueuse.
<b>Trente jours</b> (filtre à eau, si inclus) A compter de la date d'achat initial	<b>Toute pièce</b> de la cartouche filtrante qui ne fonctionne pas à cause d'un vice de matériau ou de main d'œuvre. Pendant la validité de la <b>présente garantie limitée de 30 jours</b> , GE Appliances fournira gratuitement une cartouche filtrante de remplacement.
<b>SEULEMENT MODÈLES GE PROFILE™</b>	
<b>Cinq Ans</b> A compter de la date d'achat	<b>Toute pièce</b> du système fermé du réfrigérateur (compresseur, condenseur, évaporateur et tous les tuyaux de raccordement) qui s'avère défectueuse en raison d'un défaut de matériau ou de fabrication. Pendant la validité de la <b>présente garantie limitée de cinq ans</b> , GE Appliances fournira également gratuitement la main d'œuvre et le service pour réparer la pièce défectueuse dans le système fermé du réfrigérateur.

## Ce qui n'est pas couvert par GE Appliances :

- Les déplacements à votre domicile pour vous expliquer l'utilisation de ce produit
- Une installation, livraison ou maintenance défectueuse.
- Une panne du produit par abus d'utilisation, par mauvais utilisation, par modification ou s'il a été utilisé dans un but autre que celui pour lequel il a été fabriqué.
- Détérioration des aliments.
- Le remplacement des fusibles ou le réenclenchement du disjoncteur du domicile.
- Les dommages à la finition, tels que rouille de surface, ternissement ou petites taches, non signalés dans un délai de 48 heures suivant la livraison.
- Le remplacement de la cartouche filtrante, si incluse,
- à cause d'une pression d'eau en dehors de la gamme de fonctionnement recommandée ou à cause d'une concentration excessive de sédiments dans l'eau d'alimentation.
- Le remplacement des ampoules, si incluses, ou la cartouche filtrante, si incluse, et dans des conditions autres que celles susmentionnées.
- Tout dommage causé par accident, incendie, inondation ou une catastrophe naturelle.
- Tout dommage fortuit ou indirect causé par des défauts éventuels de cet appareil.
- Le service s'il est impossible d'avoir accès au produit.
- Dommages causés par l'utilisation d'un filtre qui n'est pas de marque GE Appliances.

## EXCLUSION DES GARANTIES TACITES

Votre recours exclusif est l'échange du produit suivant les modalités de la Garantie Limitée. Toutes garanties tacites, y compris les garanties de valeurs marchandes ou d'adéquation à des fins particulières, sont limitées à une durée d'un an ou à la durée la plus courte autorisée par la loi.

**Pour les clients des États-Unis :** Cette garantie limitée est étendue à l'acheteur d'origine et aux propriétaires suivants pour tout produit acheté pour une utilisation domestique aux États-Unis. Si le produit est installé dans une région où ne se trouve aucun réparateur autorisé GE Appliances, vous devrez peut-être assumer les frais de transport et apporter l'appareil à un centre de service autorisé GE Appliances. En Alaska, cette garantie limitée exclut le coût d'expédition ou de dépannage à votre domicile. Certains états n'acceptent pas d'exclusion ou de limites aux dommages indirects consécutifs. Certains droits particuliers vous sont dévolus en vertu de la présente garantie et peuvent s'accompagner d'autres droits qui varient selon votre lieu de résidence. Pour connaître vos droits juridiques, veuillez consulter le bureau local ou le bureau d'état des affaires aux consommateurs ou le Procureur Général de votre état.

**Garant : États-Unis : GE Appliances, a Haier company Louisville, KY 40225**

**Au Canada (incluant la province de Québec) :** Cette garantie limitée s'étend à l'acheteur initial et à tous les propriétaires ultérieurs pour les produits achetés au Canada, y compris au Québec, et qui sont destinés à un usage domestique au Canada, y compris au Québec. Toutefois, si le produit se trouve dans une région où un réparateur agréé GE Appliances n'est pas disponible, vous pourriez être tenu de payer des frais de déplacement ou de vous rendre dans un centre de service agréé GE Appliances. Certains territoires, comme le Québec, interdisent l'exclusion ou la restriction des dommages collatéraux ou indirects. Cette garantie limitée vous confère des droits légaux spécifiques ; vous pouvez également bénéficier d'autres droits qui varient d'une province à l'autre, y compris au Québec. Pour en savoir plus sur vos droits légaux, adressez-vous à votre bureau régional ou provincial de protection des consommateurs.

**A l'intention des consommateurs québécois uniquement - Avis sur la garantie de disponibilité des pièces de rechange, des services de réparation et des renseignements nécessaires à la réparation ou à l'entretien (art. 39 de la Loi sur la protection du consommateur) :** Veuillez noter que MC Commercial Inc. (« MC Commercial ») ne garantit pas, au sens de l'article 39 de la Loi sur la protection du consommateur, RLRQ, c. P -40.1, et des articles 79.18 à 79.20 du Règlement d'application de la Loi sur la protection du consommateur, RLRQ, c. P -40.1, r. 3, la disponibilité des pièces de rechange, des services de réparation ou des renseignements nécessaires à l'entretien ou à la réparation des biens fabriqués, importés, annoncés ou vendus par MC Commercial. Veuillez noter que MC Commercial Inc. continue d'offrir la garantie limitée du fabricant, telle qu'énoncée dans le manuel du propriétaire ou le guide rapide. Cette garantie limitée diffère de la garantie légale de disponibilité énoncée à l'article 39 de la Loi sur la protection du consommateur.

**Garant : MC Commercial Inc., Burlington, ON, L7L 6B2**

Pour bénéficier du service de réparation sous garantie, une preuve de la date d'achat initial est nécessaire.

# Garantie limitée de la cartouche filtrante d'eau

Contactez-nous au **Electromenagersge.ca**.

<b>Pendant une période de :</b>	<b>GE Appliances remplacera :</b>
<b>Trente jours</b> À partir de la date d'achat d'origine	<b>Toute pièce défectueuse</b> de la cartouche filtrante en raison d'un vice de matière ou de fabrication durant cette <b>garantie limitée de trente jours.*</b>

## Ce que la garantie ne couvre pas :

- Déplacement d'un technicien au domicile pour des explications sur le produit.
- Installation incorrecte.
- La défectuosité du produit s'il a été utilisé abusivement, a été mal utilisé ou utilisé à d'autres fins que celle prévues ou à des fins commerciales.
- Le remplacement des fusibles ou le réenclenchement du disjoncteur du domicile.
- Le remplacement de la cartouche filtrante à cause d'une pression d'eau en dehors de la gamme de fonctionnement recommandée ou à cause d'une concentration excessive de sédiments dans l'eau d'alimentation.
- Détérioration du produit imputable à : accident, incendie, inondation ou catastrophe naturelle.
- Dommages accessoires ou indirects résultant de possibles défectuosités de cet appareil.

### EXCLUSION DES GARANTIES IMPLICITES

Votre seul et unique recours consiste dans le remplacement de la pièce telle que décrite dans cette Garantie limitée. Toute garantie implicite, y compris les garanties relatives à la qualité marchande ou à l'adéquation à un usage particulier, est limitée à six mois ou à la période la plus courte autorisée par la loi.

Cette garantie est destinée à l'acheteur d'origine et à tout propriétaire subséquent pour les produits acquis à des fins d'utilisation domestique à l'intérieur des États-Unis. En Alaska, la garantie exclut les frais de livraison et les appels de service depuis votre domicile.

Certains États n'autorisent pas l'exclusion ou la limitation des dommages accessoires ou indirects. Certains droits particuliers vous sont dévolus en vertu de la présente garantie et peuvent s'accompagner d'autres droits qui varient d'un État à l'autre. Pour connaître vos droits, consultez l'autorité locale ou de l'État en matière de droits des consommateurs, ou encore le Procureur général de votre État.

**Achats effectués en Iowa :** Ce formulaire doit être signé et daté par l'acheteur et le vendeur avant la consommation du produit.

Ce formulaire doit être conservé dans les dossiers du vendeur pendant un minimum de deux ans.

### Acheteur :

Nom \_\_\_\_\_  
 Adresse \_\_\_\_\_  
 Ville \_\_\_\_\_ État \_\_\_\_\_ Code postal \_\_\_\_\_  
 Signature \_\_\_\_\_ Date \_\_\_\_\_

### Vendeur :

Nom \_\_\_\_\_  
 Adresse \_\_\_\_\_  
 Ville \_\_\_\_\_ État \_\_\_\_\_ Code postal \_\_\_\_\_  
 Signature \_\_\_\_\_ Date \_\_\_\_\_

\*Si votre pièce GE Appliances s'avère défectueuse en raison d'un vice de fabrication durant la période de trente jours suivant la date d'achat d'origine, nous vous offrons, à notre discrétion et sans frais, une pièce neuve ou reconstruite. Retournez la pièce défectueuse au fournisseur où s'est effectué l'achat accompagnée d'une copie de la preuve d'achat de la pièce. Si la pièce s'avère défectueuse et qu'elle ne présente aucun signe d'usage abusif, elle sera remplacée. La garantie ne couvre pas la défectuosité de pièces qui ont été endommagées alors qu'elles étaient en votre possession, dont l'usage a été abusif, ou dont l'installation est incorrecte. Elle ne couvre pas les frais de retour de la pièce au fournisseur où l'achat a eu lieu, ni les coûts de main-d'œuvre pour la retirer ou l'installer afin de diagnostiquer la défectuosité. Elle ne couvre pas les pièces dont l'usure découle d'une utilisation commerciale, à l'exception des équipements de climatisation. En aucune circonstance GE Appliances ne sera tenue responsable des dommages indirects.

**Débiteur de la garantie : GE Appliances, a Haier company**  
 Louisville, KY 40225

Brochez votre reçu ici. La preuve d'achat d'origine est obligatoire pour obtenir le service en vertu de la garantie.

# Fiche technique de performance

## Modèle : GE Appliances XWFE

- Système certifié par l'IAPMO R&T en vertu des normes 42, 53, 401, et P473 de la NSF/ANSI relatives à la réduction des allégations spécifiées sur la fiche technique de rendement et le site [iapmort.org](http://iapmort.org).
- Le rendement réel peut varier selon les conditions locales de l'eau.

Substance testée pour réduction	Concentration d'essai de l'influent (mg/L)	Concentration max. admissible dans l'eau du produit (mg/L)	Réduction moy. (%)
Goût et odeur chlore	2.0 mg/L +/- 10%	N/A	96.9
Goût et odeur chloramine	3.0 mg/L +/- 10%	0.5	96.9
Particules, Classe I	Au moins 10 000/mL	N/A	91.4
Oocystes	50,000/L	N/A	>99.99
Plomb	0.15	0.01	98.85
Mercure	0.006	0.002	96.3
Amiante	107 à 108 fibres/L	N/A	>99
Toxaphène	0.015 +/- 10%	0.003	86.95
SCC (substitut de chloroforme C	0.300	0.015	99.7
Alachlore	0.050	0.001	> 98
Atrazine	0.100	0.003	> 97
Benzène	0.081	0.001	> 99
Carbofuran	0.190	0.001	> 99
tétrachlorure de carbone	0.078	0.0018	98
chlorobenzène	0.077	0.001	> 99
chloropicrine	0.015	0.0002	99
2, 4-D	0.110	0.0017	98
dibromochloropropane (DBCP)	0.052	0.00002	> 99
o-Dichlorobenzène	0.08	0.001	> 99
p-Dichlorobenzène	0.040	0.001	> 98
1,2-dichloroéthane	0.088	0.0048	95
1,1-dichloroéthylène	0.083	0.001	> 99
cis-1,2-dichloroéthylène	0.170	0.0005	> 99
trans-1,2-dichloroéthylène	0.086	0.001	> 99
1,2-dichloropropane	0.080	0.001	> 99
cis-1,3-dichloropropylène	0.079	0.001	> 99
dinosébe	0.170	0.0002	99
Endrine	0.053	0.00059	99
Éthylbenzène	0.088	0.001	> 99
éthylène dibromide (EDB)	0.044	0.00002	> 99
bromochloroacétonitrile	0.022	0.0005	98
dibromoacétonitrile	0.024	0.0006	98
dichloroacétonitrile	0.0096	0.0002	98
trichloroacétonitrile	0.015	0.0003	98
1,1-dichloro-2-propanone	0.0072	0.0001	99
1,1,1-trichloro-2-propanone	0.0082	0.0003	96
heptachlore (H-34, Heptox)	0.025	0.00001	>99
heptachloreépoxyde	0.0107	0.0002	98
hexachlorobutadiène	0.044	0.001	> 98
hexachlorocyclopentadiène	0.060	0.000002	> 99
Lindane	0.055	0.00001	> 99
méthoxychlore	0.050	0.0001	> 99
pentachlorophénole	0.096	0.001	> 99
simazine	0.120	0.004	> 97
Styrène	0.150	0.0005	> 99
1,1,2,2-tétrachloroéthane	0.081	0.001	> 99
Tétrachloroéthylène	0.081	0.001	> 99
Toluène	0.078	0.001	> 99
2,4,5-TP (silvex)	0.270	0.0016	99
Acide tribromoacétique	0.042	0.001	> 98
1,2,4-Trichlorobenzène	0.160	0.0005	> 99
1,1,1-trichloroéthane	0.084	0.0046	95
1,1,2-trichloroéthane	0.150	0.0005	> 99
trichloroéthylène	0.180	0.0010	> 99
bromoforme	0.300	0.015	95
bromodichlorométhane	0.300	0.015	95
chlorodibromométhane	0.300	0.015	95
xylènes	0.070	0.001	>99
Méprobamate	400 +/- 20%	60	95.5
Aténolol	200 +/- 20%	30	95.9
Carbamazépine	1400 +/- 20%	200	98.6
diéthyltoluamide (DEET)	1400 +/- 20%	200	98.6
Métolachlore	1400 +/- 20%	200	98.7
Triméthoprim	140 +/- 20%	20	96.1
Linuron	140 +/- 20%	20	96.6
TCEP	5000 +/- 20%	700	98.1
TCP	5000 +/- 20%	700	98.1
Phénytoïne	200 +/- 20%	30	96
Ibuprofène	400 +/- 20%	60	95.9
Naproxène	140 +/- 20%	20	96.5
Estrone	140 +/- 20%	20	97.1
Bisphénol A	2000 +/- 20%	300	99.1
Nonylphénol	1400 +/- 20%	200	97.3

### Conditions d'application/Paramètres d'alimentation d'eau

Débit de service	0,5 gal./min. (1,89 l/min.)
Alimentation d'eau	Eau potable
Pression d'eau	25-120 psi (172-827 kPa)
Température de l'eau	33°F-100°F (0.6°C-38°C)
Capacité	170 gallons (643,5 litres)

Le rendement du produit sera conforme à ce qui est promis à condition que l'installation, l'entretien et le remplacement du filtre s'effectuent selon les recommandations du fabricant.

**REMARQUE :** Bien que les tests aient été réalisés dans des conditions Bien que les tests aient été réalisés dans des conditions de laboratoire.

Cartouche de rechange : XWFE. Pour une estimation du coût des pièces de rechange, visitez notre site Web [Electromenagersge.ca/fr/produits/filtres-et-accessoires](http://Electromenagersge.ca/fr/produits/filtres-et-accessoires).

### ⚠ AVERTISSEMENT Pour réduire le risque associé à l'ingestion de contaminants :

- N'utilisez pas l'appareil avec de l'eau d'une qualité incertaine ou non potable sur le plan microbiologique sans une désinfection en amont et en aval du système. Les systèmes homologués relativement à la réduction d'oocystes peuvent être utilisés avec de l'eau désinfectée pouvant contenir des oocystes filtrables.

### AVIS

#### Pour réduire le risque de fuite ou d'inondation et pour garantir un rendement optimal du filtre :

- Lisez et observez les instructions d'utilisation avant l'installation et l'utilisation de ce système.
- L'installation et l'utilisation DOIVENT satisfaire tous les codes de plomberie locaux et nationaux.
- Ne procédez pas à l'installation si la pression d'eau excède 120 psi (827 kPa). Si votre pression d'eau excède 80 psi (552 kPa), vous devez poser une valve de limitation de pression. Faites appel à un plombier si vous avez des doutes sur la façon de mesurer votre pression d'eau.
- Ne procédez pas à l'installation si une condition de coup de bélier est susceptible de survenir. Si cette condition existe, vous devez poser un antibélier. Faites appel à un plombier si vous avez des doutes sur la manière d'identifier cette condition.
- Ne procédez pas à l'installation sur des conduites d'eau chaude. La température de service maximale de l'eau pour ce système de filtre est de 100 °F (38 °C).
- Protégez le filtre contre le gel. Drainez le filtre lorsque la température tombe sous 33 °F (0,6 °C).
- Remplacez la cartouche filtrante jetable tous les six mois, ou plus tôt si vous constatez une réduction appréciable du débit d'eau.
- L'omission de remplacer la cartouche filtrante jetable aux intervalles recommandés peut mener à une réduction du rendement du filtre et au fendillement du boîtier du filtre, entraînant ainsi des fuites ou l'inondation.
- Ce système a été mis à l'essai conformément aux normes 42, 53, 401, et P473 de la NSF/ANSI relatives à la réduction des substances énumérées ci-dessous. La concentration des substances mentionnées dans l'eau entrant dans le système a été réduite à une valeur inférieure ou égale à la limite admissible pour l'eau quittant le système, tel que stipulé dans les normes 42, 53, 401, et P473 de la NSF/ANSI.



Le système XWFE est certifié par l'IAPMO R&T en vertu des normes 42, 53, 401, et P473 de la NSF/ANSI relatives à la réduction des allégations spécifiées sur la fiche technique de rendement et le site [iapmort.org](http://iapmort.org).

# Soutien au consommateur

---

## Site Web de GE Appliances

Vous avez une question ou vous avez besoin d'aide pour votre appareil électroménager? Visitez le site Web de GE Appliances 24 heures par jour, tous les jours de l'année! Vous pouvez aussi y trouver d'autres formidables produits GE Appliances et tirer avantage de tous nos services d'assistance en ligne. [ElectromenagersGE.ca/fr](http://ElectromenagersGE.ca/fr)

---

## Enregistrez votre électroménager

Enregistrez votre nouvel appareil en ligne au moment qui vous convient le mieux! L'enregistrement de votre produit dans les délais prescrits permet une meilleure communication et un service rapide, selon les modalités de votre garantie, si besoin est. Vous pouvez également envoyer par courrier la carte d'enregistrement pré-imprimée qui se trouve dans l'emballage de votre appareil.

[Electromenagersge.ca/soutien-apres-vente](http://Electromenagersge.ca/soutien-apres-vente)

---

## Service de réparation

Un service de réparation expert GE Appliances se trouve à quelques pas de chez vous. Rendez-vous sur notre site et programmez, à votre convenance, une visite de réparation à n'importe quel jour de l'année.

[Electromenagersge.ca/soutien-apres-vente](http://Electromenagersge.ca/soutien-apres-vente) ou composez le 800.561.3344

---

## Prolongation de garantie

Procurez-vous une prolongation de garantie GE Appliances et informez-vous des rabais spéciaux en vigueur pendant la durée de votre garantie. Vous pouvez vous la procurer en ligne en tout temps. Les services GE Appliances seront toujours disponibles après l'expiration de la garantie.

[Electromenagersge.ca/achat-dune-garantie-prolongee](http://Electromenagersge.ca/achat-dune-garantie-prolongee) ou composez le 866.277.9842

---

## Pièces et accessoires

Les personnes ayant les compétences requises pour réparer elles-mêmes leurs appareils peuvent recevoir directement à la maison des pièces ou accessoires (les cartes VISA, MasterCard et Discover sont acceptées). Commandez en ligne 24 heures par jour.

**Les instructions contenues dans le présent manuel comportent des procédures que tout utilisateur peut effectuer. Les autres types de réparation doivent généralement être confiés à un technicien qualifié. Utilisez de prudence : une réparation ou un entretien mal effectués peuvent rendre l'utilisation de l'appareil dangereuse.**

Les consommateurs au Canada doivent consulter les pages jaunes pour connaître le centre de service Mabe le plus proche, visiter notre site Web au [electromenagersge.ca/pièces-filtres-et-accessoires](http://electromenagersge.ca/pièces-filtres-et-accessoires) ou composer le 1.800.661.1616.

---

## Communiquez avec nous

Si vous n'êtes pas satisfait du service après-vente de GE Appliances, communiquez avec nous depuis notre site Web en fournissant tous les détails dont votre numéro de téléphone, ou écrivez à :

Au Canada : Director, Customer Relations | MC Commercial Inc. | 1100 Burloak Dr, Suite 601 | Burlington, ON L7L 6B2  
[Electromenagersge.ca/contactez-nous](http://Electromenagersge.ca/contactez-nous) ou composer le 877.994.5366.



# Congelador Inferior REFRIGERADORES

**INFORMACIÓN DE SEGURIDAD** . . . 3

**INSTRUCCIONES DE FUNCIONAMIENTO**

Funciones . . . . . 6

Controles . . . . . 10

Dispensador . . . . . 12

Autollenado\* . . . . . 12

WiFi . . . . . 13

Respuesta a la Demanda . . . . . 14

Filtro de Agua . . . . . 15

Opciones de Almacenamiento del Refrigerador . . . . . 16

Área Climática . . . . . 18

Cajón Convertible . . . . . 18

Freezer . . . . . 19

Máquina de Hacer Hielo Automática . . . . . 20

**CUIDADO Y LIMPIEZA** . . . . . 21

Reemplazo de las Luces . . . . . 22

**INSTRUCCIONES PARA LA INSTALACIÓN**

Preparación para Instalar el Refrigerador . . 23

Instalación del Refrigerador . . . . . 26

Instalación del Suministro de Agua . . . . . 35

**SOLUCIÓN DE PROBLEMAS** . . . . . 38

Condiciones de Funcionamiento Normal . . 38

Consejos para la Solución de Problemas . . 39

Verdad o Mito . . . . . 41

**GARANTÍA LIMITADA** . . . . . 43

**SOPORTE AL CONSUMIDOR**

Certificado Limitado del Dispositivo del Cartucho del Filtro de Agua XWFE . . . 44

Ficha Técnica de Rendimiento . . . . . 45

Suporte al Cliente . . . . . 48

\*Modelos Selectos Únicamente

Escriba los números de modelo y de serie aquí:

Nº de Modelo \_\_\_\_\_

Nº de Serie \_\_\_\_\_

Busque estos números en una etiqueta del lado izquierdo, cerca de la parte intermedia del compartimiento del refrigerador.

## MANUAL DEL PROPIETARIO E INSTRUCCIONES DE INSTALACIÓN

Modelos PVD y PXD

**ESPAÑOL**

## **GRACIAS POR HACER QUE GE APPLIANCES SEA PARTE DE SU HOGAR.**

---

Ya sea que haya crecido usando GE Appliances, o que ésta es su primera vez, nos complace tenerlo en la familia.

Sentimos orgullo por el nivel de arte, innovación y diseño de cada uno de los electrodomésticos de GE Appliances, y creemos que usted también. Entre otras cosas, el registro de su electrodoméstico asegura que podamos entregarle información importante del producto y detalles de la garantía cuando los necesite.

Registre su electrodoméstico GE ahora a través de Internet. Sitios Web y números telefónicos útiles están disponibles en la sección de Soporte para el Consumidor de este Manual del Propietario.

También puede enviar una carta en la tarjeta de inscripción preimpresa que se incluye con el material embalado.



**GE APPLIANCES**

# INFORMACIÓN IMPORTANTE DE SEGURIDAD

## LEA TODAS LAS INSTRUCCIONES ANTES DE USAR

### ⚠️ ADVERTENCIA

A fin de reducir el riesgo de incendio, explosión, descargas eléctricas o lesiones al usar su refrigerador, siga estas precauciones básicas de seguridad:

- Este refrigerador se deberá instalar y ubicar adecuadamente de acuerdo con las Instrucciones de Instalación antes de ser usado.
- Desenchufe el refrigerador antes de hacer reparaciones o hacer una limpieza.  
**Nota:** La corriente que va al refrigerador no puede ser desconectada por ninguna configuración del panel de control.  
**Nota:** Las reparaciones deberán ser realizadas por un Profesional del Servicio Técnico calificado.
- Reemplace todas las piezas y paneles antes del uso.
- No use un prolongador.
- Mantenga cualquier material y vapores inflamables alejados del refrigerador.
- No guarde sustancias explosivas tales como latas de aerosoles con propelentes inflamables en este electrodoméstico.
- A fin de evitar riesgos de que los niños sufran asfixia o queden atrapados, retire las puertas de comidas frescas y del freezer de cualquier refrigerador antes de deshacerse o dejar de usar el mismo.
- Para evitar lesiones graves o la muerte, los niños no se deberán parar sobre ni jugar en o con el electrodoméstico.
- Los niños y las personas con capacidad física, sensorial o mental reducida o con falta de experiencia y conocimiento podrán usar este electrodoméstico sólo si son supervisados o les fueron dadas instrucciones sobre un uso seguro y entienden los riesgos involucrados.
- Este electrodoméstico fue diseñado para uso hogareño y para aplicaciones similares tales como: áreas de personal de cocina en tiendas, oficinas y otros espacios laborales; casas de campo; por clientes en hoteles, moteles, hostales y otros espacios residenciales, catering y aplicaciones no minoristas similares.
- Realice la conexión a un suministro de agua potable únicamente. Se requiere un suministro de agua fría para el funcionamiento de la máquina de hielos automática. La presión del agua deberá estar entre 40 y 120 psi (275-827 kilopascales).
- No aplique limpiadores ásperos sobre el refrigerador. Ciertos limpiadores dañarán el plástico, lo cual podrá hacer que ciertas piezas tales como la puerta o las manijas de las puertas se separen de forma inesperada. Para acceder a instrucciones detalladas, lea la sección de Cuidado y Limpieza.

### ⚠️ PRECAUCIÓN

A fin de reducir el riesgo de lesiones al usar el refrigerador, siga estas precauciones básicas.

- No limpie estantes de vidrio ni tapas con agua caliente cuando estén fríos. Los estantes de vidrio y las tapas se pueden romper si son expuestos a cambios de temperatura repentinos o impactos, tales como sacudones o caídas. El vidrio templado está diseñado para destruirse en pequeñas piezas en caso de rotura.
- Mantenga los dedos fuera de los espacios de "riesgo de lastimaduras"; los despejes entre las puertas y entre las puertas y el gabinete son necesariamente pequeños. Tenga el cuidado de cerrar las puertas cuando los niños se encuentren en el área.
- No toque las superficies frías del compartimiento del freezer cuando las manos estén húmedas o mojadas, ya que la piel se podrá adherir a estas superficies extremadamente frías.
- No vuelva a congelar comidas que hayan estado totalmente congeladas en forma previa.
- En refrigeradores con máquinas de hacer hielo automáticas, evite el contacto con las partes móviles del mecanismo eyector o con el elemento de calefacción que libera los cubos. No coloque los dedos ni las manos en el mecanismo de la máquina de hielo automática mientras el refrigerador esté enchufado.

### ⚠️ ADVERTENCIA

#### RIESGO DE INCENDIO O EXPLOSIÓN

Mantenga cualquier material y vapores inflamables alejados del refrigerador. Si no se cumple con esto se podrá producir una explosión, incendio o la muerte.

### ⚠️ ADVERTENCIA



#### RIESGO DE CAÍDAS

Los modelos PJD, PJE, PXD, CJE y CXE son inestables, especialmente cuando las puertas se encuentran abiertas. Estos modelos incluyen un soporte anti volcaduras que viene empaquetado con su refrigerador y que debe instalarse y asegurarse correctamente a la estructura de la vivienda para evitar caídas hacia adelante, lo que podría ocasionar la muerte o lesiones graves. Lea y siga las instrucciones de instalación en su totalidad para instalar el soporte de piso anti volcaduras proporcionado con su refrigerador.

## LEA Y GUARDE ESTAS INSTRUCCIONES

# INFORMACIÓN IMPORTANTE DE SEGURIDAD LEA TODAS LAS INSTRUCCIONES ANTES DE USAR

## **⚠ ADVERTENCIA**



### **RIESGO DE INCENDIO O EXPLOSIÓN Refrigerantes Inflamables**

Este electrodoméstico cuenta con refrigerante isobutano, también conocido como R600a, un gas natural con alto nivel de compatibilidad medioambiental. Sin embargo, también es combustible. Siga las advertencias que figuran a continuación, a fin de reducir el riesgo de lesiones o daños sobre la propiedad.

1. Al mover, instalar y operar el electrodoméstico, se deberá tener cuidado de no dañar la tubería del refrigerante.
2. El servicio técnico sólo debe ser realizado por personal autorizado del servicio. Use sólo piezas del servicio autorizadas por el fabricante
3. Descarte el electrodoméstico de acuerdo con las Regulaciones Federales y Locales. El refrigerante inflamable y el material aislante inflamable usados requieren procedimientos de descarte especiales. Comuníquese con las autoridades locales para descartar su refrigerador de forma ambientalmente segura.

4. Mantenga las aberturas de ventilación en el espacio de protección del electrodoméstico o en la estructura incorporada libres de obstrucción.
5. A fin de eliminar la escarcha, raspe con una espátula o raspador de plástico o madera. No use un instrumento con pico de hielo, metal, o con forma puntiaguda, ya que esto podrá perforar el revestimiento del freezer y luego la tubería refrigerante inflamable detrás de éste.
6. No use dispositivos eléctricos dentro del compartimiento de almacenamiento de comida del electrodoméstico.
7. No use ningún dispositivo eléctrico para descongelar su refrigerador.

## CONEXIÓN DE LA ELECTRICIDAD

## **⚠ ADVERTENCIA**



### **RIESGO DE DESCARGA ELÉCTRICA**

Enchufe en un tomacorriente con conexión a tierra de 3 cables.

No elimine el cable de conexión a tierra.  
No use un adaptador.

No use un prolongador.

Si no se siguen estas instrucciones se podrá producir a muerte, incendios o descargas eléctricas.

**Nunca, bajo ninguna circunstancia, corte o elimine el tercer cable (tierra) del cable de corriente. Para su seguridad personal, este electrodoméstico debe estar adecuadamente conectado a tierra.**

El cable de corriente de este electrodoméstico contiene un enchufe de 3 cables (conexión a tierra) que se conecta a un tomacorriente de pared estándar de 3 cables (conexión a tierra) para minimizar la posibilidad de riesgos de descargas eléctricas por parte del mismo.

Contrate a un electricista calificado para que controle el tomacorriente y el circuito eléctrico, a fin de asegurar que el enchufe esté correctamente conectado a tierra.

En caso de contar con un tomacorriente de pared de 2 cables, es su responsabilidad y obligación reemplazarlo por un tomacorriente de pared de 3 cables correctamente conectado a tierra. No use un adaptador.

El refrigerador debería estar siempre conectado a un enchufe específico con un índice de voltaje equivalente al que figura en su etiqueta de características técnicas.

Se requiere un suministro eléctrico con fusible y conexión a tierra de 115 voltios de CA, 60 Hz, 15 o 20 amperes. Esto garantiza el mejor funcionamiento y además previene la sobrecarga de los circuitos del hogar, lo cual podría ocasionar riesgos de incendio debido al recalentamiento de cables.

Nunca desenchufe el refrigerador tirando del cable de corriente. Siempre tome su enchufe firmemente y empuje el mismo hacia afuera para retirarlo.

Repáre o reemplace de inmediato todos los cables de corriente pelados o con cualquier tipo de daño. No use un cable con cortaduras o abrasión sobre su extensión o extremos.

Al alejar el refrigerador de la pared, se deberá tener cuidado de que no ruede sobre ni dañe el cable de corriente.

# LEA Y GUARDE ESTAS INSTRUCCIONES

# INFORMACIÓN IMPORTANTE DE SEGURIDAD

## LEA TODAS LAS INSTRUCCIONES ANTES DE USAR

### **⚠ PELIGRO**

#### **PELIGRO DE SUFFOCATION Y ENTRAPMENT**

El incumplimiento de estas instrucciones de eliminación puede causar la muerte o lesiones graves.

**IMPORTANTE:** Que un niño quede atrapado o que sufra una asfixia no son problemas del pasado. Los refrigeradores antiguos o abandonados aún son peligrosos, incluso aunque se conserven por "sólo unos pocos días". Si se deshará de su antiguo refrigerador, siga las siguientes instrucciones a fin de evitar accidentes.

#### **Antes de Descartar su Antiguo Aparato:**

- Retire las puertas de comidas frescas y del freezer.
- Deje los estantes en su lugar de modo que los niños no puedan trepar dentro con facilidad.

#### **Cómo Eliminar Refrigerantes y Gomaespumas:**

Descarte el electrodoméstico de acuerdo con las Regulaciones Federales y Locales. El material aislante inflamable usado requiere procedimientos de descarte especiales. Comuníquese con las autoridades locales para descartar su electrodoméstico de forma ambientalmente segura.

## LEA Y GUARDE ESTAS INSTRUCCIONES

# Funciones

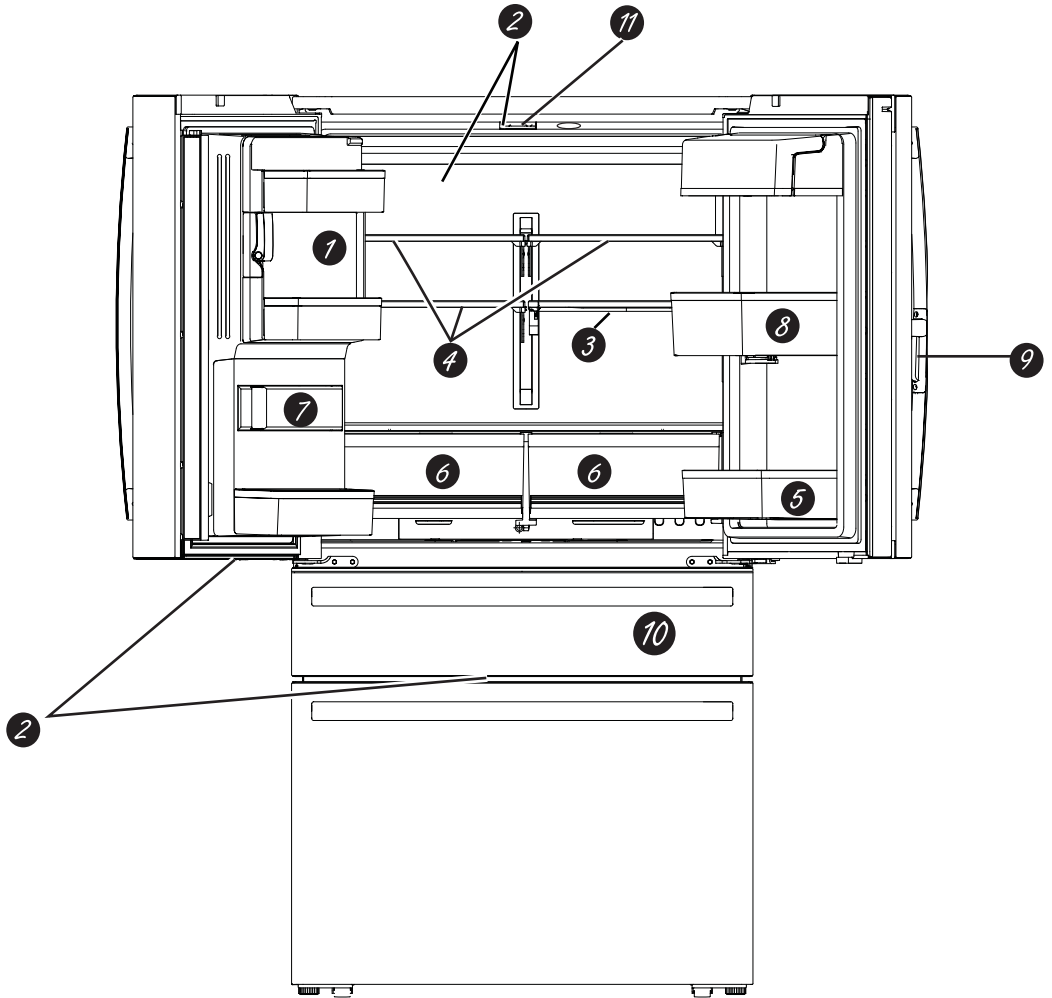
Modelos de Profile PVD28, PXD22, PVD28H, PXD22H

Ensamblaje de la pantalla de la puerta



12

13



**1 Máquina de hacer hielo con ahorro de espacio**

La máquina de hacer hielo y el recipiente están ubicados en la puerta, creando un espacio de almacenamiento con mayor uso.

**2 Luz LED de exhibición**

La luz LED está posicionada a través del interior para iluminar áreas del refrigerador. Debajo de la puerta de comidas frescas se encuentran ubicadas luces LED para iluminar el cajón convertible, y debajo del cajón convertible se encuentran luces LED para iluminar el cajón del freezer.

**3 Estante de QuickSpace**

Funciona como un estante normal de tamaño completo cuando lo necesite y se desliza fácilmente hacia adentro para guardar artículos altos en la parte inferior.

**4 Estantes a prueba de derrames**

Diseñados para capturar derrames y permitir una limpieza más fácil.

**5 Recipiente con puerta desmontable**

Puede ser retirado cuando haya una pared que limite la apertura de la puerta.

**6 Recipiente de Climate zone**

Recipientes aparte para almacenar productos alimenticios.

**7 Filtro de Agua**

Filtra agua y hielo. Certificado para reducir quistes resistentes al cloro, plomo, fármacos selectos, y más. A fin de acceder a instrucciones para un reemplazo fácil del filtro, consulte la página 14.

**8 Bandeja Giratoria (en algunos modelos)**

Puede ser rotada para un fácil acceso.

**9 Traba para Puerta en la Puerta (en algunos modelos)**

Presione la traba desde el lado inferior de la manija para abrir la puerta externa.

**10 Cajón Convertible**

Seleccione la mejor temperatura para guardar su comida.

**11 Cámara Fridge Focus (en PVD28H y PXD22H)**

La posición de la cámara se ajusta de adelante hacia atrás, y la tapa de privacidad puede utilizarse deslizando hacia un lado.

**12 Altavoz (en PVD28H y PXD22H)**

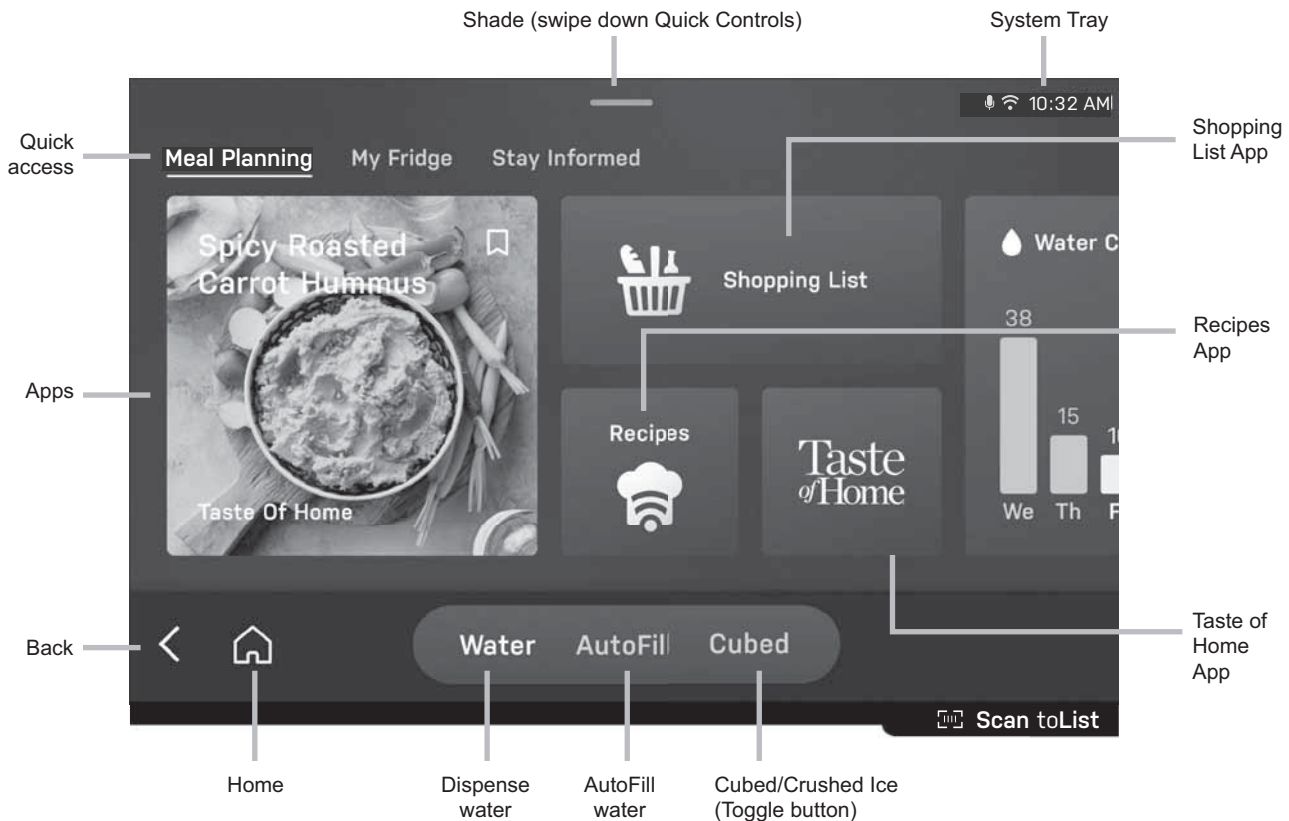
Produce un sonido nítido y detallado, lo que facilita escuchar voces, música y notificaciones.

**13 Escanear para Lista (en PVD28H y PXD22H)**

Escáner de códigos de barras para escanear códigos de barras

# Funciones

## Modelos de Profile PVD28H, PXD22H





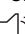


### Personalización de su Refrigerador

#### Acceso a la Configuración

- Toque y mantenga presionada la barra gris en la parte superior de la pantalla.
- Deslice hacia abajo para abrir el panel de Settings (Configuración).

#### Controles Rápidos

- **Estado de SmartHQ** : Vea el icono en la esquina superior izquierda para conocer su estado de conexión en SmartHQ.
- **Luz** : Toque el icono Light (Luz) para encender o apagar la luz del dispensador.
- **Bloquear** : Toque el icono Lock (bloqueo) para activar o desactivar el bloqueo del control.
- **Micrófono** : Toque el icono de Microphone (Micrófono) para encender o apagar el micrófono.
  - (Apagar el micrófono desactiva los comandos de voz.)
- **Volumen** : Ajuste el volumen de los medios moviendo el control deslizante de Volume (Volumen) al nivel deseado.
- **Brillo de la Pantalla**: Ajuste el brillo de la pantalla moviendo el control deslizante Brightness (brillo).
- **Ajustes**: Ajuste cualquier configuración en el electrodoméstico o en la pantalla (vea más detalles a continuación).
- **Ambient**: Active rápidamente la pantalla Ambient para ver sus fondos personalizados y widgets.
- **Alertas**: Acceda a su lista histórica de notificaciones que aparecen en su electrodoméstico.

### Controles del Refrigerador:

- **Temperatura del Refrigerador**: Presione + o – para ajustar entre 34°F (1°C) y 42°F (6°C).
- **Configuraciones del Cajón**: Seleccione uno de los siguientes modos: Carne: 29 °F Bebidas: 33 °F Bocadillos: 37 °F Vino: 42 °F
- **Temperatura del congelador**: Presione + o – para ajustar entre –6°F (–21°C) y 5°F (–15°C). Fabricador de hielo: Encienda o apague para iniciar o detener la producción de hielo.

### Iluminación:

- **Pared de luz LED Showcase**: encienda o apague y ajuste el brillo usando el control deslizante de atenuación.
- **Sensor de Presencia**: activar o desactivar
- **Iluminación del Sensor del Dispensador**: Encender o apagar (Cuando está habilitada, la luz del dispensador se enciende automáticamente al acercarse al refrigerador).

### Avanzado:

- **Unidades de Temperatura**: Seleccione Fahrenheit (°F) o Celsius (°C).
- **Modo Sabbath**: Vaya a Settings > Sabbath (Configuración > Sabbath) para activar el Modo Sabbath. Mantenga presionada la pantalla durante 10 segundos para salir.
- **Sistemas de Enfriamiento**: Encienda o apague los sistemas de enfriamiento (antes de apagar el sistema de enfriamiento, vacíe el refrigerador. Esta función se recomienda para periodos prolongados de inactividad, como vacaciones o limpieza profunda, para ayudar a conservar energía.)

# Funciones

## Modelos de Profile PVD28H, PXD22H

**FridgeFocus:** Activar o desactivar capturas internas del refrigerador.

**Scan-to-List (Requiere Wi-Fi e inicio de sesión en SmarHQ)**

- **Scan-to-List:** active o desactive el escáner de códigos de barras.
- **Luz objetivo del escáner:** encienda o apague la luz del escáner de códigos de barras
- **Agregar automáticamente a la lista después de escanear:** active o desactive la función para agregar automáticamente los artículos escaneados a su lista.

**Sistema:**

- **Acerca de – encuentre detalles sobre las versiones de software.**
- **Ubicación**
- **Configuración de hora y fecha**
- **Modo de Servicio** – para técnicos de servicio.
- **Modo de Exhibición** – solo para minoristas.
- **Borrar Datos de Usuario** – borre rápidamente todos los datos de usuario almacenados en el electrodoméstico y desconéctese de Wifi.

**Restablecimiento de la interfaz de usuario (UI Reset):** si es necesario un reinicio, simplemente desbloquee la interfaz de usuario Convertible Drawer (Cajón Convertible) y luego presione los botones Meat (Carne) y Snack (Bocadillo) simultáneamente durante 3 segundos para iniciar un reinicio de la interfaz de usuario. Esto tomará unos minutos.

**Conéctese a SmarHQ**

- Descargue la aplicación SmarHQ desde la tienda de aplicaciones.
- Inicie sesión en SmarHQ para ver su refrigerador en la



aplicación y obtener todos los beneficios de la conexión.

- Conecte su refrigerador desde la pantalla seleccionando CUALQUIER función que requiera conexión para comenzar, como Lista de compras o Recetas. Siga las instrucciones en pantalla para conectar su refrigerador a su cuenta SmarHQ.

**Pantalla y apariencia**

- **Brillo:** ajuste el nivel de brillo de la pantalla mediante la barra de ajuste de brillo que se encuentra en la configuración de Sombra.
- **Energy saver:** Icono táctil de encendido/apagado para Energy saver (Ahorro de energía) para activar/desactivar el modo Energy saver (Ahorro de energía) (Este modo permite personalizar los horarios programados de encendido/apagado del modo Energy saver (Ahorro de energía) en su pantalla).

**Modo Ambiente:**

- Grupo de reloj (Agregar/Quitar fecha y clima juntos o individualmente)
- Widgets (Agregar/Quitar widgets de Clima y Recetas juntos o individualmente a la pantalla de inicio)

**Fondo:**

- Seleccione Backdrop(s) (Fondos) de las opciones para personalizar la imagen de su pantalla ambiental.

**Sonidos y Alertas**

- Volumen de Medios: Ajuste el volumen según sea necesario ajustando la barra de Volumen.
- Volumen de la interfaz: Cambie el volumen de la interfaz a **Off** (Apagado), **Low** (Bajo), **Med** (Medio) o **High** (Alto) según sea necesario.
- Tono táctil: Encienda o apague el tono táctil
- Alerta de tiempo: Establece el nivel de sonido para los tonos del sistema, temporizadores y alertas.

**Voz y micrófono:**

- Micrófono: Encender/Apagar Micrófono (Apagar desactivará los comandos de voz)
- Si hay 2 electrodomésticos en la misma cocina que admiten “Hey HQ”, debe silenciar uno para evitar que ambos respondan.
- Use “Hey HQ” como palabra de activación para ejecutar comandos:
  - “qué filtro debo comprar”
  - “Agregue manzanas a mi lista de compras.”
  - “Deme 20 oz de agua”
  - “Inicie Turbo Cool.”

**Escaneo de Código de Barras:**

- El escáner de códigos de barras incluye un indicador LED para ayudarlo a alinear el código de barras con el lector.
- Este LED no es un láser y ha sido probado conforme a la norma industrial IEC 62471, la cual evalúa la seguridad fotobiológica de lámparas y sistemas de lámparas, incluso bajo exposición retiniana prolongada.
- El LED no es necesario para que funcione el escáner de códigos de barras. Si prefiere apagarlo por cualquier motivo, puede hacerlo desde el menú de configuración de la unidad sin afectar el rendimiento del escáner.
- El interruptor Scan-to-List (Escanear para agregar a la lista) encenderá o apagará el escáner.
- Luz de objetivo del escáner: un punto verde que le ayudará a alinear el código de barras con el escáner.
- Auto-Add to List (Agregar automáticamente a la lista): agrega automáticamente los artículos a su lista de compras cuando los escanea.
- Solo se admiten etiquetas de código de barras unidimensionales. Los códigos QR y algunos otros formatos no son compatibles.

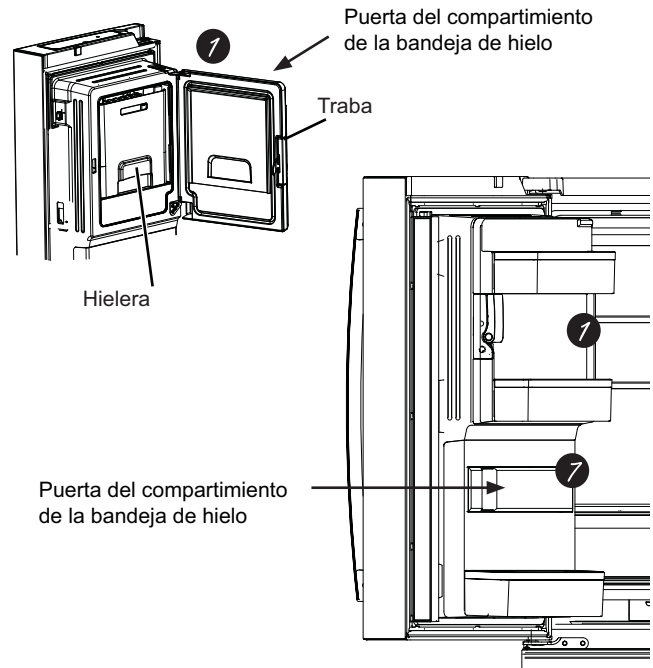
# Funciones

## Extracción del depósito de hielo de la puerta

1. Abra la puerta izquierda de comidas frescas.
2. Baje la traba para abrir la puerta del recipiente.
3. Uso del recipiente con sujeción manual hacia arriba y afuera para despejar los localizadores en la parte inferior del recipiente.
4. Para reemplazar la hielera, ajuste la misma a los soportes de la guía y empuje hasta que la misma se ubique correctamente.
5. Si la hielera no se puede reemplazar, gire la Horquilla de la Hielera  $\frac{1}{4}$  en dirección de las agujas del reloj.

## Hielo/ filtro de agua

Se certifica que reduce quistes resistentes al cloro, plomo, ciertos productos farmacéuticos y más. Para un reemplazo sencillo del filtro, ver la página 9.



# Controles

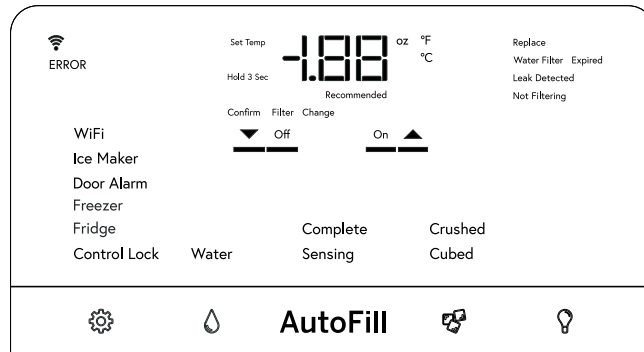
## CUATRO PUERTAS Y DOOR-IN-DOOR DE CUATRO PUERTAS

Actualizamos nuestro software de forma constante. Por favor, use como referencia el manual del propietario completo a través de Internet para conocer las últimas funcionalidades en [GEAppliances.com](http://GEAppliances.com). En Canadá, visite [GEAppliances.ca](http://GEAppliances.ca).

El refrigerador se envía con una película protectora que cubre los controles. Si la película no fue retirada durante la instalación, retire la misma ahora.


Las configuraciones de temperatura recomendadas y la preconfiguración de fábrica son de 37°F (3°C) para el refrigerador y de 0°F (-18°C) para el freezer.

### PVD28B, PXD22B




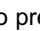
## Cómo Cambiar la Temperatura

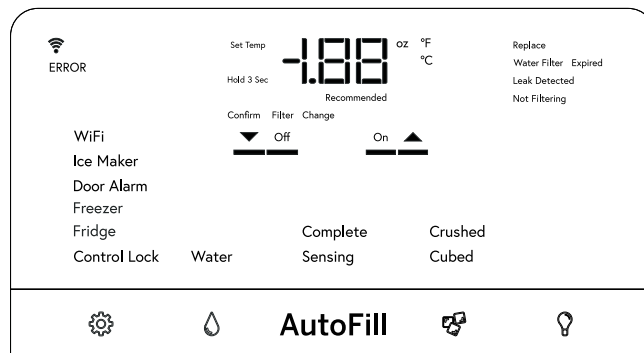
### Para Cambiar la Temperatura del Refrigerador:

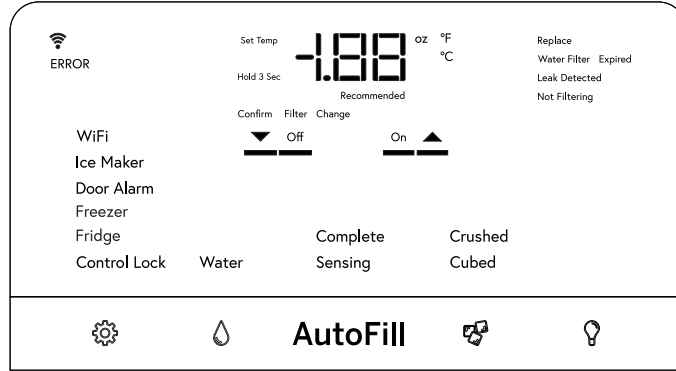
Presione el botón **Settings** (Configuraciones)  hasta que "Fridge" (Refrigerador) aparezca iluminado. Presione los botones de las flechas Up (Arriba) y Down (Abajo) para incrementar o reducir las configuraciones de temperatura.

### Para Cambiar la Temperatura del Freezer:

Presione el botón **Settings** (Configuraciones)  hasta que "Freezer" (Freezer) aparezca iluminado. Presione los botones de las flechas Up (Arriba) y Down (Abajo) para incrementar o reducir las configuraciones de temperatura.

El sistema de refrigeración puede ser apagado presionando el botón **Settings** (Configuraciones)  hasta que "Fridge" (Refrigerador) o "Freezer" (Freezer) aparezcan iluminados. Mantenga presionados ambos botones de las flechas Up (Arriba) y Down (Abajo) durante 3 segundos. "- -" será exhibido cuando el sistema esté apagado. Apagar el sistema de refrigeración detiene la refrigeración del refrigerador, pero no corta la corriente eléctrica. El sistema de refrigeración puede ser encendido regresando a la configuración "Fridge" (Refrigerador) o "Freezer" (Freezer) y presionando el botón On (Encendido).





Símbolo de Configuraciones (Settings) (⚙️) – Presione este símbolo para pasar a través de las funciones del refrigerador.

- Bloqueo (Control Lock) - Presione esta función para bloquear el dispensador de hielo y agua y todos los botones de funciones y temperatura. Mantenga presionado el botón Off (Apagado) durante 3 segundos para desactivarlo.
- Refrigerador (Fridge) – Presione el botón Up (Arriba) o Down (Abajo) para incrementar o reducir la temperatura desde 34°F (1°C) hasta 42°F (6°C).
- Freezer (Freezer) – Presione el botón Up (Arriba) o Down (Abajo) para incrementar o reducir la temperatura desde -6°F (-21°C) hasta 5°F (-15°C).
- Alarma de la Puerta (Door Alarm) – Suena una alerta cuando las puertas del freezer o del refrigerador se dejan abiertas. Desactive esta alerta presionando cualquier tecla. Presione On (Encender) u Off (Apagar) para activar o desactivar Door Alarm (Alarma de la Puerta) mientras la alerta no se encuentra activa.
- Máquina de Hielo (Icemaker) - Presione On (Encendido) u Off (Apagado) para iniciar/ detener la máquina de hielo.
- WiFi - Presione On (Encender) para iniciar el proceso de conexión WiFi de acuerdo con las instrucciones que figuran en la página 12. Presione Off (Apagar) para desactivar el WiFi. Observe que reiniciar el WiFi requiere la repetición del proceso de conexión WiFi.

Los modelos PVD28, PXD22 Door-in-Door de GE Profile cuentan con WiFi.

Los modelos GE Appliances GVE28 están Preparados para Connect Plus.

Símbolo de Goteo de Agua (💧) – Presione esta función para seleccionar Ice (Hielo) o Water (Agua) a fin de dispensar los mismos cuando se presione la paleta. .

Llenado Automático (AutoFill) – Presione esta función a fin de iniciar el sensor automático para el llenado desde el dispensador.

Símbolo de Cubos de Hielo (🧊) - Presione para seleccionar la función de hielo picado o en cubos al presionar la paleta.

Símbolo de Lámpara de Luz (💡) – Presione esta función para iluminar el dispensador. Se producirá un sonido de campanadas cada vez que presione.

### Fahrenheit / Celsius:

La pantalla de temperatura se podrá mostrar en Fahrenheit o Celsius. Presione el botón de Configuraciones (Settings) (⚙️) para acceder a "Fridge" (Refrigerador) o "Freezer" (Freezer), y luego mantenga presionados los botones Ice (Hielo) y Light (Luz) durante tres segundos.

### Control de Volumen:

El volumen de alerta podrá ser ajustado de High (Alto) a Low (Bajo) y Off (Apagado). Presione el botón de Configuraciones (Settings) (⚙️) para acceder a "Icemaker" (Máquina de Hielo), y luego mantenga presionados los botones Ice (Hielo) y Light (Luz) durante tres segundos.

### Modo Sabático:

De forma simultánea, mantenga presionados los botones Settings (Configuraciones) (⚙️), Water (Agua) y Light (luz) durante tres segundos para ingresar o salir del modo Sabbath (Sabático).

## CAJÓN CONVERTIBLE

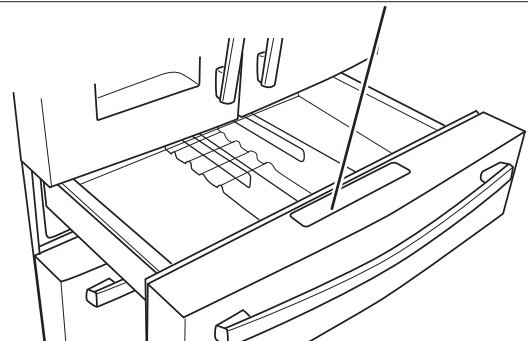
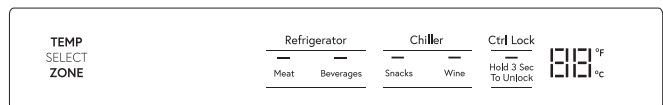
La temperatura del Cajón Convertible es seleccionada presionando el ítem de comida que se guardará en el cajón.

Las temperaturas correspondientes son:

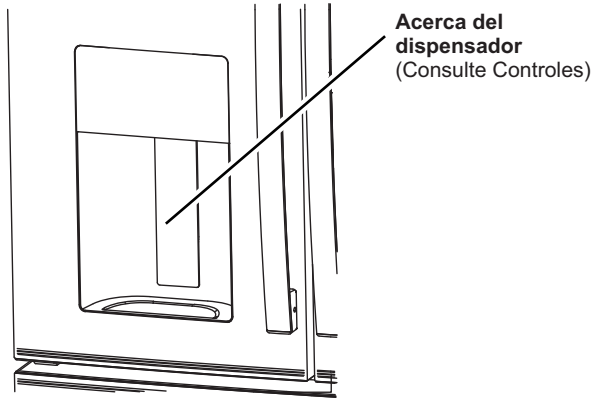
Congelación Baja	23°F (-5°C)
Carne	29°F (-2°C)
Bebidas	33°F (1°C)
Aperitivos	37°F (3°C)
Vino	42°F (6°C)

La configuración de temperatura está bloqueada por omisión. Se deberá presionar el botón durante 3 segundos para desbloquear esta función.

Mantener presionadas varias teclas restablecerá la pantalla.



# Dispensador



## ⚠️ ADVERTENCIA RIESGO DE LACERACIÓN

- Nunca coloque los dedos o cualquier otro objeto en la abertura de descarga de la picadora de hielo. Hacer esto puede resultar en el contacto entre los filos de la picadora de hielo y ocasionar lesiones graves o una amputación.
- Use un vidrio resistente al dispensar hielo. Un vidrio no resistente se podrá romper y ocasionar lesiones personales.

Si no se dispensa agua cuando el refrigerador se instala por primera vez, es posible que la tubería de agua posea aire. Presione la paleta dispensadora durante por lo menos cinco minutos para eliminar el aire atrapado de la tubería de agua y para llenar el sistema de agua. A fin de limpiar las impurezas en la tubería de agua, descarte los seis primeros vasos de agua.

## Hechos Importantes sobre Su Dispensador

- No agregue hielo de bandejas o bolsas a la hielera de la máquina de hacer hielo de la puerta. Es posible que no lo pique o vierta correctamente.
- Evite llenar el vaso con hielo de forma excesiva y use vasos angostos. El hielo estancado puede trabar el vertedor o hacer que la puerta del vertedor quede cerrada por congelación. Si el hielo bloquea el vertedor, retire la hielera y desbloquee el mismo con una cuchara de madera.
- Las bebidas y las comidas no se deberán enfriar de forma rápida en el cajón de almacenamiento de hielo. Las latas, botellas o paquetes de comida en el cajón de almacenamiento pueden hacer que la máquina de hacer hielo o el taladro se bloqueen.
- Para que el hielo dispensado no caiga afuera del vaso, coloque el vaso cerca de, pero sin que tenga contacto con, la abertura del dispensador.
- Es posible que cierta cantidad de hielo picado sea dispensada incluso aunque haya seleccionado CUBED ICE (Hielo en Cubos). Esto sucede ocasionalmente cuando algunos cubos son dirigidos accidentalmente a la picadora.
- Una vez que el hielo picado es dispensado, es posible que parte del agua gotee del vertedor.
- A veces se formará una pequeña cantidad de nieve en la puerta del vertedor de hielo. Esta condición es normal y habitualmente sucede cuando se dispensó hielo picado en forma repetida. La nieve finalmente se evaporará.

## AUTOFILL\* (Llenado Automático)

### Para Usar LLENADO AUTOMÁTICO CON MANOS LIBRES:

- Centre el envase en la Bandeja del Dispensador con la Depresión tan atrás como sea posible, sin activar la paleta, y retire la mano del envase.
- Presione **AUTO FILL** (LLENADO AUTOMÁTICO).

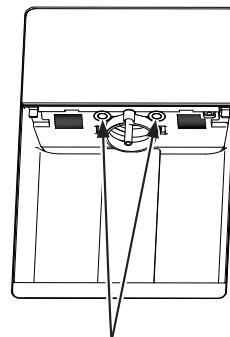
### Para Detener AUTO FILL (LLENADO AUTOMÁTICO)

- Presione CUALQUIER tecla, incluyendo AutoFill (Llenado Automático), para detener esta función.

### Factor Importante acerca del LLENADO AUTOMÁTICO

- Para obtener resultados óptimos, use un envase uniforme entre 10-20 cm (4 y 8") de alto y entre 5-15 cm (2 y 6") de ancho. El envase ser tan alto como los sensores inferiores.
- El nivel y funcionalidad del llenado pueden variar en envases más altos que 20 cm (8") o más anchos que 15 cm (6").
- Los volúmenes de los envases podrán variar. Si aparece el mensaje "ERROR" (Error), pruebe en un envase diferente.
- El tiempo de **AUTO FILL** (LLENADO AUTOMÁTICO) concluirá.

- Las manijas, sorbete y decoraciones sobre el borde del envase podrán ocasionar desbordes o variaciones en los volúmenes de llenado. Si utiliza mezcla de bebida en polvo antes de AUTOFILL (Llenado automático), puede resultar en un rendimiento reducido.
- Se podrán producir salpicaduras dependiendo de la ubicación del envase, el nivel de flujo del agua, la forma del envase, y los cubos de hielo.
- Conserve los sensores limpios con una tela húmeda y limpia, y no rocíe líquido ni limpiadores directamente sobre los sensores.
- **AUTO FILL** (LLENADO AUTOMÁTICO) funciona mejor con una presión de agua del hogar de 414 a 689 kPa (40 a 100 psi).
- El hielo en el envase puede afectar el volumen de llenado. Si se experimentan problemas, use menos hielo.



Sensores AutoFill

\*Modelos selectos únicamente

# Dispensador

## SECCIÓN DE LLENADO PRECISO

Después de configurar el volumen desde el menú Precise Fill (Llenado Preciso), puede continuar de dos maneras:

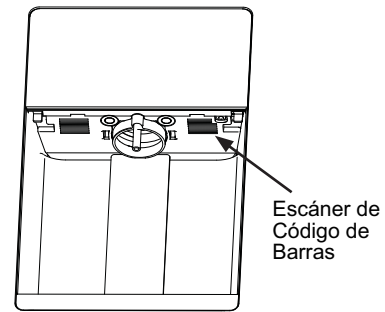
1. Usando Hands Free Precise Fill (Llenado Preciso Manos Libres): Con el recipiente completamente insertado en el hueco y en posición fija, presione el botón Dispense (Dispensar) desde el menú Precise Fill (Llenado Preciso). La unidad dispensará hasta que se alcance el volumen establecido o el límite de detección de nivel. Consulte la descripción de Autofill (Llenado Automático) (página 12) para la descripción de los recipientes compatibles.

2. Usando Paddle (Palanca): Al presionar la palanca con el recipiente, se dispensará agua hasta que se alcance el objetivo o se suelte la palanca. Si el recipiente se llena antes de alcanzar el volumen objetivo, puede reemplazar el recipiente o vaciarlo y volver a presionar la palanca para continuar hasta alcanzar la cantidad seleccionada.

## Escáner de Código de Barras

### Datos Importantes sobre el Escaneo de Códigos de Barras

- Puede producirse salpicadura según la ubicación del recipiente, el caudal de agua, la forma del recipiente y los cubos de hielo.
- Mantenga limpia la lente del escáner de código de barras con un paño limpio y húmedo, y no rocíe líquido ni limpiadores directamente sobre la lente.
- La distancia óptima para el escaneo de la etiqueta variará según el tipo de etiqueta, el tamaño y la luz ambiental.



## WiFi (para clientes en Estados Unidos, sus territorios, y Canadá)

Si su refrigerador cuenta con una etiqueta de **Información del Electrodoméstico Conectado**, entonces es posible conectarlo a su red WiFi, lo cual le permitirá la comunicación con su dispositivo móvil para realizar el monitoreo, control y notificaciones de forma remota.

Para conocer más sobre las funciones del electrodoméstico conectado y para saber qué aplicaciones de electrodomésticos conectados funcionan con su teléfono inteligente, por favor visite [GEAppliances.com/connect](http://GEAppliances.com/connect).

## INFORMACIÓN REGULATORIA

### Declaración de Cumplimiento con FCC/IC:

Este dispositivo cumple con la Parte 15 de la Normativa de la FCC. Su funcionamiento está sujeto a las dos condiciones siguientes:

1. Este dispositivo no podrá causar interferencias perjudiciales.
2. Este dispositivo debe aceptar cualquier interferencia recibida, incluidas las interferencias que puedan provocar un funcionamiento no deseado.

**ATENCIÓN:** Las modificaciones sobre esta unidad no aprobadas expresamente por parte del fabricante podrían anular la autoridad del usuario para utilizar el equipo.

Este dispositivo cumple con la exención de licencia RSSs sobre Innovación, Ciencia y Desarrollo Económico de Canadá. Su funcionamiento está sujeto a las dos condiciones siguientes:

- (1) Es posible que este dispositivo no cause interferencias, y
- (2) Este dispositivo deberá aceptar cualquier interferencia recibida, incluidas las interferencias que puedan provocar un funcionamiento no deseado del dispositivo.

## Respuesta a la Demanda (en algunos modelos)

Este producto cuenta con capacidad WiFi y requiere de conectividad a Internet y un enrutador inalámbrico a fin de permitir la interconexión con un Sistema de Manejo de Energía, y/o con otros dispositivos, sistemas o aplicaciones externas.

### ¿Qué es la Respuesta a la Demanda?

Algunas empresas de servicios podrán variar sus índices eléctricos dependiendo de la hora del día. Algunas empresas de servicios ofrecen programas de Respuesta a la Demanda, a fin de reducir el uso de la energía durante ciertos momentos del día. Algunas empresas de servicios ofrecen ambas cosas. Este refrigerador cuenta con una función de Respuesta a la Demanda para ayudar a controlar el uso de la energía.

### Uso de la Respuesta a la Demanda sin un Programa de una Empresa de Servicios

La función de Respuesta a la Demanda permite que el usuario cambie funciones de alto consumo de corriente, tales como descongelar, durante un espacio de 4 horas. Esta función corresponde al promedio de uso pico de la corriente. Esta función es activada o desactivada a través de la aplicación SmartHQ™ y requiere de la aplicación SmartHQ™ para funcionar. Esto no depende de las empresas de servicios locales, ni de si éstas varían los índices de electricidad.

### Respuesta a la Demanda de su Empresa de Servicios

Si su empresa de servicios cuenta con un programa de Respuesta a la Demanda compatible, y usted está registrado en la empresa de servicios, este refrigerador podrá modificar su uso de energía en base a comandos recibidos desde la empresa de servicios. La aplicación SmartHQ™ se podrá usar para anular el programa de Respuesta a la Demanda, si así se desea. Por favor, observe que existen muchos programas diferentes de Respuesta a la Demanda, y muchos no son compatibles con los electrodomésticos de cocina. Por favor, consulte a su empresa de servicios local.

El nivel de respuesta a la demanda es exhibido a través de la aplicación móvil. El modo de carga del electrodoméstico con retraso (DAL, según sus siglas en inglés) reduce el consumo de energía, al retrasar la congelación y producción de hielo por 4 horas. La reducción de la carga del electrodoméstico de forma temporaria (TALR, según sus siglas en inglés) reduce el consumo de energía, al retrasar la congelación, producción de hielo, y la interrupción de la refrigeración por 10 minutos.

El consumo de energía estimado en Watt-hora (Wh) es informado a través de la aplicación móvil.

### Instalación de Respuesta a la Demanda

Instale la aplicación SmartHQ™ de acuerdo con las instrucciones que figuran en la página previa. Seleccione la página de Respuesta a la Demanda, y elija entre las opciones de Respuesta a la Demanda disponibles. La aplicación brinda más información sobre el funcionamiento de cada opción de Respuesta a la Demanda.

### Protocolos de Comunicación sobre la Respuesta a la Demanda

Este refrigerador utiliza los siguientes protocolos de estándares de apertura IETF para la comunicación WiFi. Para conocer las actualizaciones de protocolos más recientes, consulte el manual del usuario a través de Internet:

- <https://mqtt.org/mqtt-specification/>
- <http://docs.oasis-open.org/mqtt/mqtt/v3.1.1/os/mqtt-v3.1.1-os.html>

API de GEA para la respuesta a la demanda:

- Escriba el estado de la respuesta a la demanda (Inactivo, DAL, y TLAR)
- Acceda al estado de la respuesta a la demanda (Inactivo, DAL, TLAR, o Descongelación con Retraso)
- Acceda al consumo de energía estimado en Watt-hora.
- Acceda al evento de «Puerta Abierta»
- Acceda al evento de «Alerta de temperatura alta»
- Escriba el tiempo de inicio y período de tiempo de duración de la respuesta a la demanda (DAL o TALR).
- Acceda al tiempo de inicio y período de tiempo de duración de la respuesta a la demanda (DAL o TALR).
- Borre la programación de la respuesta a la demanda (DAL o TALR).

# Cartucho del Filtro de Agua - XWFE

## Cartucho del filtro de agua

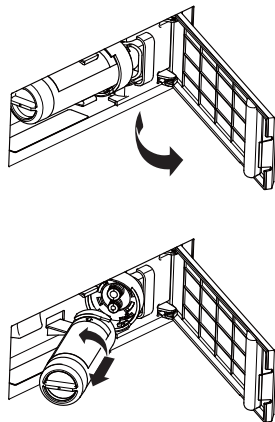
El cartucho del filtro de agua se encuentra ubicado en la puerta de refrigerador del lado izquierdo, detrás del panel de acceso rectangular.

## Cuándo Reemplazar el Cartucho del Filtro

El mensaje **Reemplazar el Filtro de Agua** en el panel de control se iluminará cuando el cartucho del filtro de agua deba ser reemplazado pronto. El mensaje **Filtro de Agua Vencido** se iluminará cuando el cartucho del filtro de agua deba ser reemplazado. El filtro de agua podrá ser reemplazado antes si el flujo de agua hasta el dispensador o a la máquina de hielo se reduce. Una vez que cualquiera de ambos mensajes se encuentre iluminado, al dispensar agua se mostrará el mensaje **Confirme el Cambio de Filtro**; no realice dicha confirmación hasta que el filtro de agua sea reemplazado.

## RETIRO DEL FILTRO

Si reemplazará el filtro, primero retire el anterior tomando el mismo de forma suave y lentamente girándolo hacia la izquierda, dando aproximadamente  $\frac{1}{4}$  de giro. El filtro deberá liberarse de forma automática cuando lo haya rotado lo suficiente hacia la izquierda. Es posible que gotee una pequeña cantidad de agua.



## ⚠ PRECAUCIÓN

Si quedó aire atrapado en el sistema, es posible que el cartucho sea eyectado en el momento en que se retire. Retire el mismo con cuidado.

## TAPÓN DEL BYPASS DEL FILTRO:

A fin de reducir el riesgo de daños sobre la propiedad debido a pérdidas de agua, usted DEBERÁ usar el tapón del bypass del filtro cuando no se disponga de un cartucho del filtro de reemplazo. Algunos modelos no vienen equipados con el tapón del bypass del filtro. Para acceder a un tapón del bypass gratuito, llame al 800.692.6630 y solicite el tapón del bypass del filtro WR17X33825. En Canadá, llame al 800.561.3344. El dispensador y la máquina de hielo no funcionarán si el filtro o el tapón del bypass del filtro no están instalados. El tapón del bypass se instala del mismo modo que un cartucho del filtro.

## ⚠ ADVERTENCIA

**A fin de reducir el riesgo asociado con asfixia, no permita que los niños menores de 3 años tengan acceso a las partes pequeñas durante la instalación de este producto. El cartucho del filtro descartable deberá ser reemplazado cada 6 meses luego de agotar su capacidad, o antes si se produce una reducción notoria en el caudal.**

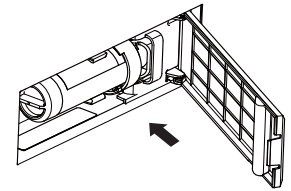
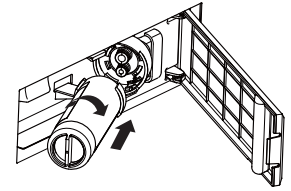
Para obtener el máximo beneficio de su sistema de filtrado, GE Appliances recomienda el uso de los filtros de la marca GE Appliances únicamente. El uso de filtros de la marca GE Appliances en refrigeradores GE Appliances y Hotpoint® brinda un óptimo funcionamiento y confiabilidad. Los filtros GE Appliances cumplen con rigurosos estándares NSF de la industria sobre seguridad y calidad, que son importantes para los productos que están filtrando su agua. GE Appliances no posee filtros de la marca GE Appliances que no estén calificados para su uso en refrigeradores GE Appliances y Hotpoint, y no existe seguridad de que los filtros que no son de la marca GE Appliances cumplan con los estándares de GE Appliances en relación a calidad, funcionamiento y confiabilidad.

**Ante cualquier consulta, o para ordenar cartuchos de filtros adicionales, visite nuestro sitio Web en [gewaterfilters.com](http://gewaterfilters.com), o llame a GE Appliances Parts and Accessories (Piezas y Accesorios de GE Appliances), 877.959.8688.**

Los clientes de Canadá deberán buscar el Centro de Servicio Técnico Camco en las páginas amarillas

## INSTALACIÓN DEL FILTRO EN UN REFRIGERADOR CON FREEZER INFERIOR

1. Abra el armazón del cartucho del filtro empujando la puerta para abrirla.
2. Alinee los puertos del filtro con los puertos de la carcasa del cartucho del filtro, e inserte el filtro de forma suave.
3. Lentamente, gire el filtro hacia la derecha hasta que se detenga. **NO LO AJUSTE EN EXCESO.** Mientras gira el filtro, el mismo se ajustará automáticamente en su posición. El filtro dará aproximadamente  $\frac{1}{4}$  de giro o 90 grados, hasta que no se pueda girar y la etiqueta mire hacia afuera.
4. Lentamente empuje el filtro hacia arriba sobre los sujetadores.
5. Cierre la carcasa del cartucho del filtro presionando la puerta cerrada de forma suave, hasta que las lengüetas queden bloqueadas en su posición.
6. Deje correr una cantidad de agua desde el dispensador de 2 galones o durante aproximadamente 5 minutos para limpiar el sistema. Es posible que el agua salga a chorros o se podrán visualizar burbujas de aire durante este proceso. Si no fluye agua, realice un control para asegurarse de que el filtro haya sido girado completamente hacia la derecha.
7. Al dispensar agua, presione el botón que se encuentra debajo del mensaje Confirmar el Cambio de Filtro. Si reemplazará el filtro de agua antes de que aparezca el mensaje, presione el botón Settings (⚙) (Configuraciones) hasta que se ilumine "Icemaker" (Máquina de Hielos), y luego presione los botones Water (Agua) y Ice (Hielo) de forma simultánea durante 3 segundos.



## Pautas de Aplicación/ Suministro de Agua

Flujo de Servicio	0.5 gpm (1.89 lpm)
Suministro de Agua	Agua Potable
Presión del Agua	25-120 psi (172-827 kPa)
Temperatura del Agua	33°F-100°F (0.6°C-38°C)
Capacidad	170 galones (643.5 litros)

**Regístrese para RECORDATORIOS DE TEXTO, enviando REPLACE (Reemplazar) por mensaje de texto al 70543.**

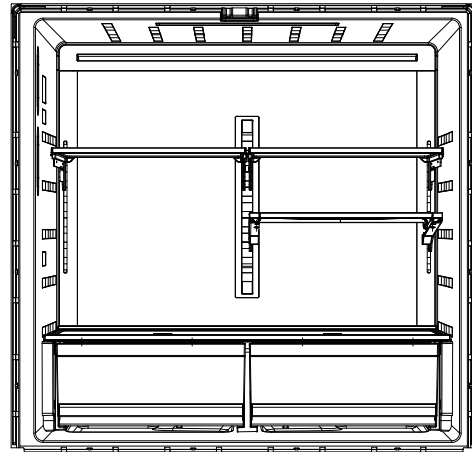
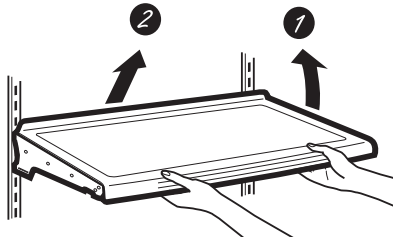
# Opciones de almacenamiento de comidas frescas

## Cómo Reorganizar los Estantes

Los estantes del compartimiento del refrigerador son ajustables.

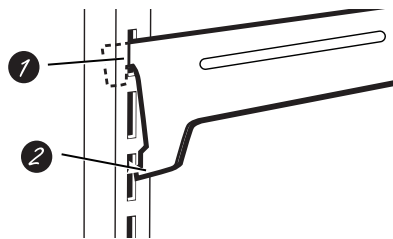
**Para retirar:**

- 1 Retire todos los artículos del estante.
- 2 Incline el estante hacia arriba en la parte frontal.
- 3 Levante el estante hacia arriba desde la parte trasera y retire el mismo.



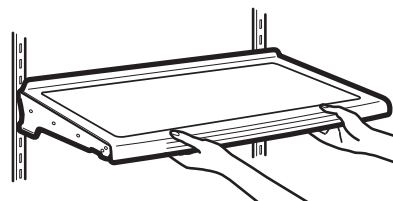
**Para reemplazar:**

- 1 Al inclinar el estante hacia arriba, inserte el gancho superior en la parte trasera del estante en una ranura del soporte.
- 2 Incline hacia abajo la parte frontal del estante, hasta que la parte inferior del mismo quede bloqueada.



## Estantes a Prueba de Derrames

Los estantes a prueba de derrames poseen extremos especiales que ayudan a evitar derrames sobre estantes inferiores.

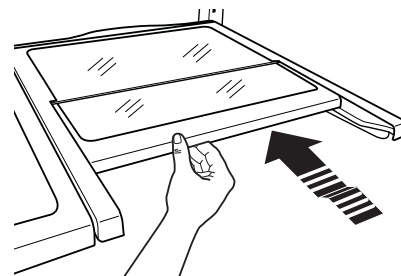


## Estante Quick Space\*

Este estante se divide a la mitad y se desliza por debajo de sí mismo para almacenar productos altos en el estante de abajo.

Este estante puede ser retirado y reemplazado o reubicado (al igual que los estantes a prueba de derrames).

**NOTA:** La mitad trasera del Estante Quick Space no es ajustable.

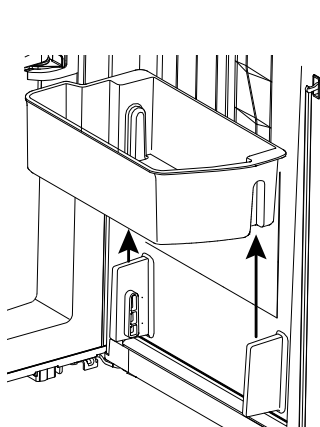


# Opciones de almacenamiento de comidas frescas

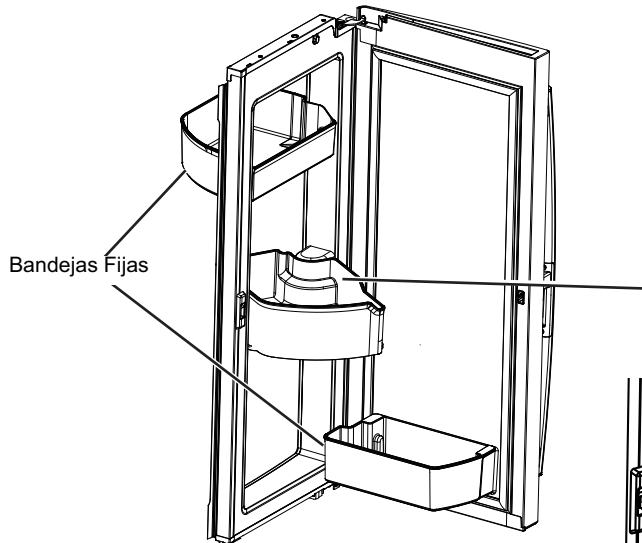
## Bandejas de la Puerta Derecha

Las **BANDEJAS FIJAS** pueden ser llevadas fácilmente del refrigerador al área de trabajo.

**Para retirar:** Levante la bandeja de forma recta y luego empuje hacia afuera.



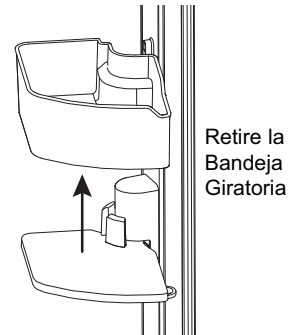
Retire las Bandejas Fijas



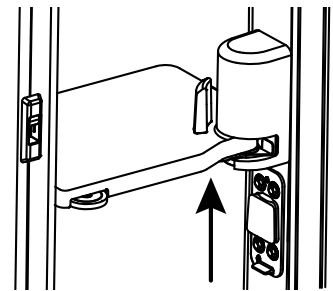
### **BANDEJA GIRATORIA:**

**Para retirar:** Gire la bandeja hacia afuera y luego levante la misma de forma recta. Para retirar la misma, coloque la mano debajo de la base metálica y levante la misma.

**Para retirar la Base Metálica:** Coloque la mano debajo de la base metálica y levante la misma.



Retire la Bandeja Giratoria



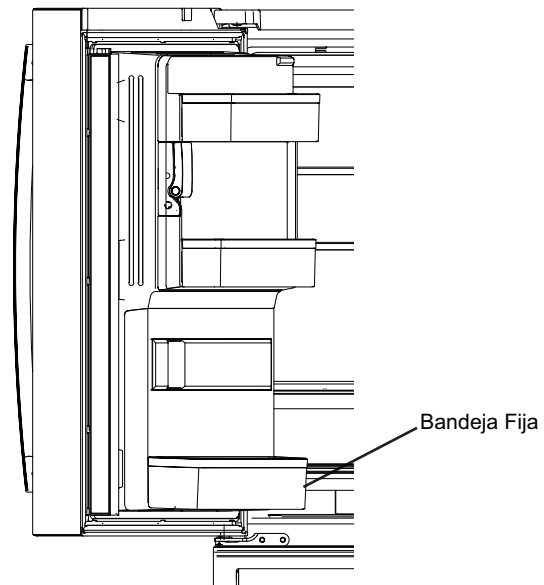
Retire la Base Metálica

## Bandejas de la Puerta Izquierda

### **BANDEJA FIJA**

**Para retirar:** Levante el recipiente de forma recta y luego empuje hacia afuera.

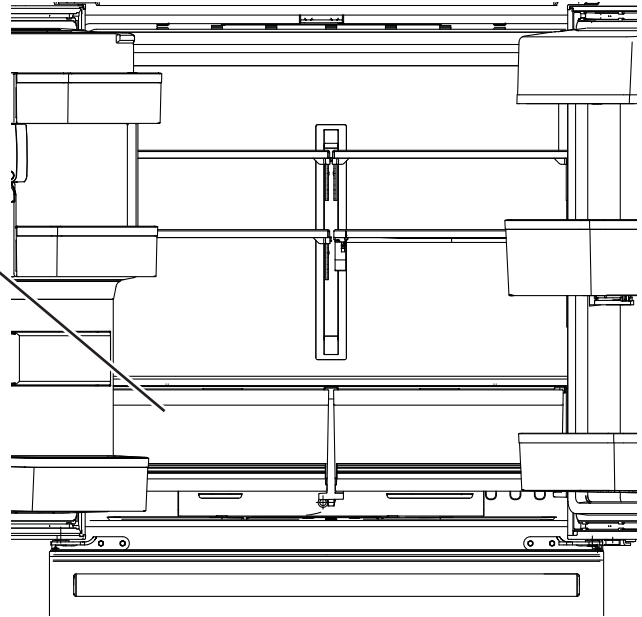
Las bandejas de la puerta de la máquina de hielo no son intercambiables; observe la ubicación al retirar las mismas y vuelva a colocar las mismas en sus ubicaciones correctas.



## Área Climática

Mantenga las frutas y verduras organizadas en compartimientos separados para un fácil acceso.

El exceso de agua que se puede acumular en la parte inferior de los cajones o debajo de los mismos se deberá limpiar.



## Cajón Convertible

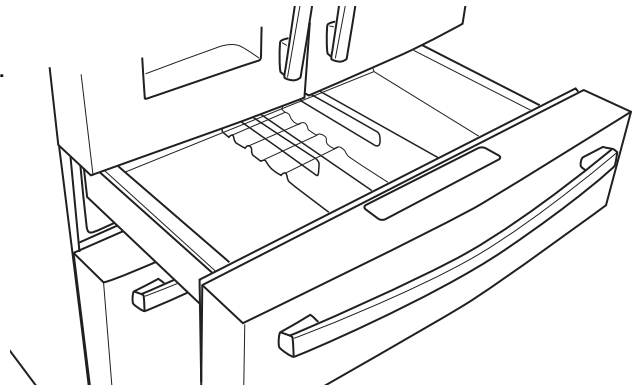
### Cómo Retirar y Reemplazar el Organizador del Cajón

**Para retirar:**

1. Empuje el cajón hacia afuera hasta la posición de detención.
2. De forma suave, levante el organizador, y luego gire el mismo para su retiro.

**Para reemplazar:**

1. Coloque la parte trasera del divisor sobre la pared trasera del cajón.
2. Gire el organizador hasta la posición deseada.



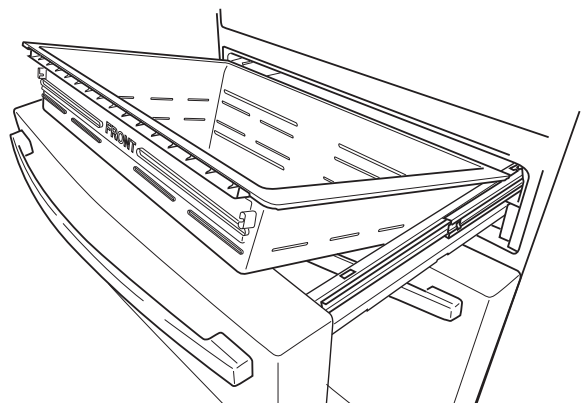
### Cómo Retirar y Reemplazar el Cajón

**Para retirar:**

1. Empuje el cajón fuera de su posición final.
2. Retire la canasta del cajón convertible levantando la misma mientras gira la canasta hacia arriba.

**Para reemplazar:**

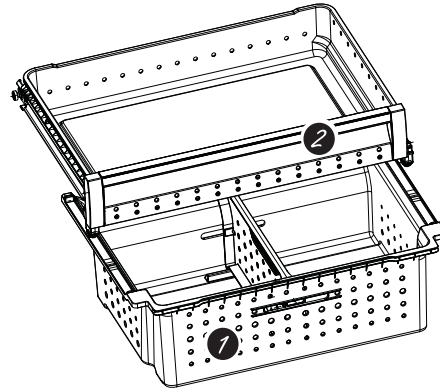
1. Primero vuelva a colocar el cajón nuevamente y gire el mismo del frente hacia abajo para que se apoye en el deslizador.
2. Empuje el cajón hacia adentro hasta la posición cerrada. La canasta del cajón convertible quedará floja si se vuelve a instalar en la dirección contraria. Como ayuda para volver a realizar la instalación, observe el estampado "FRONTAL".



# Cestos, Cajones y Cubos

## Canasta y Cajón del Freezer

- 1 Canasta
- 2 Cajón



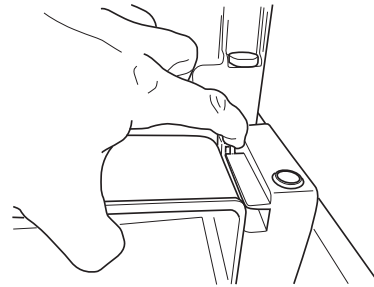
## Recipiente Tipo Tolva en el Freezer

### Para retirar:

Presione la lengüeta sobre el soporte lateral derecho para retirar el estante de la puerta del freezer..

### Para reemplazar:

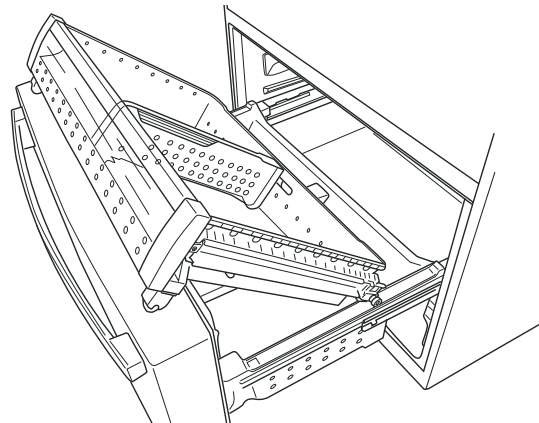
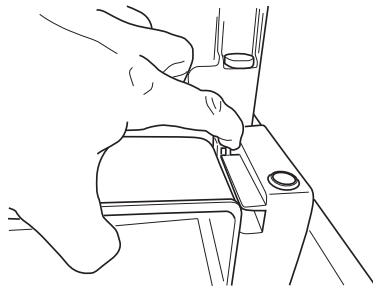
Deslice el estante en la ubicación hasta que quede bloqueado.



## Retiro de la Cesto

### Para retirar:

1. Empuje la canasta del cajón superior del freezer hacia adelante hasta que esté fuera del carril en el compartimiento del freezer. Levante, mientras gira la canasta hacia arriba para su retiro.
2. Presione la lengüeta sobre el soporte lateral derecho para retirar el estante de la puerta del freezer.



Para realizar el reemplazo, invierta los pasos de retiro.

3. Levante suavemente la canasta del cajón inferior del freezer hacia atrás, luego hacia arriba y afuera del cajón.

## Hacer Hielo Automática

Puede llevar entre 12 y 24 horas que un refrigerador recién instalado comience a fabricar hielo.

### ⚠ ADVERTENCIA

Realice la conexión a un suministro de agua potable únicamente. Se requiere un suministro de agua fría para el funcionamiento de la máquina de hielos automática. La presión del agua deberá estar entre 40 y 120 psi (275-827 kilopascales).

### Máquina de Hacer Hielo Automática\*

La máquina de hacer hielo producirá siete cubos por ciclo, y aproximadamente entre 112 y 140 cubos en un período de 24 horas, dependiendo de la temperatura del compartimiento del freezer, la temperatura ambiente, la cantidad de veces que se abra la puerta y otras condiciones de uso.

La máquina de hacer hielo se llenará de agua cuando se enfríe y llegue a los 15°F (-10°C). Puede llevar entre 12 y 24 horas que un refrigerador recién instalado comience a fabricar hielo.

Si el refrigerador es utilizado antes de realizar las conexiones de la tubería de agua a la unidad o si el suministro de agua a un refrigerador en funcionamiento es apagado, asegúrese de que la máquina de hacer hielo esté apagada. Una vez que el agua haya sido conectada al refrigerador, la máquina de hacer hielo podrá ser encendida. Para más detalles, lea la tabla que aparece más abajo.

Es posible que escuche un zumbido cada vez que la máquina de hacer hielo se llene de agua.

Para llenar la canasta hasta su capacidad máxima luego de la instalación, suministre 3 o 4 cubos en 12 y 18 horas. Espere 1 o 2 días hasta que el balde se llene completamente de hielo.

Descarte las primeras cantidades de hielo para permitir que el suministro de agua se despeje.

Asegúrese de que nada interfiera con la extensión del brazo indicador.

Cuando el cubo se llene hasta el nivel del interruptor de energía, la máquina de hacer hielo dejará de producir hielo. Es normal que varios cubos queden juntos.

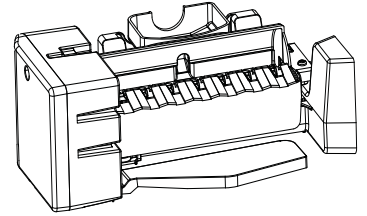
Si el hielo no se usa con frecuencia, los cubos de hielo viejos se volverán turbios, con sabor rancio y su tamaño se reducirá.

**NOTA:** En hogares con un nivel de presión inferior a la normal, es posible que escuche que la válvula de agua de la máquina de hacer hielo realice varios ciclos para producir una cantidad de hielo.

### ⚠ PRECAUCIÓN

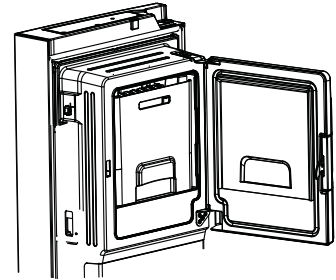
Para minimizar el riesgo de lesiones personales, evite el contacto con las partes móviles del mecanismo eyector o con el elemento de calefacción que libera los cubos. No coloque los dedos ni las manos en el mecanismo de la máquina de hielo automática mientras el refrigerador esté enchufado.

Para Encender/ Apagar la máquina de hielo, use el botón **Settings** (Configuraciones) para navegar a través de las selecciones de la misma. Consulte la sección de **CONTROLES**, en la página 10.



## Hielera y Dispensador

- Abra la puerta de la caja de hielos dentro de la puerta izquierda.
- Empuje hacia arriba y afuera la hielera en la puerta del lado izquierdo para retirar la misma del compartimiento.
- Para reemplazar la hielera, ajuste la misma a los soportes de la guía y empuje hasta que la hielera se ubique correctamente.



## Modo Sabático - OU (Unión Ortodoxa) y CRC (Congreso Rabínico Central)

Este refrigerador ofrece un modo Sabbath OU y CRC que cumple con los estándares establecidos por Orthodox Union, el Central Rabbinical Congress y Halacha Tech, y cuenta con una certificación del 100 % conforme a los más altos estándares de halajá. Para habilitar el modo Sabbath OU y CRC existen dos métodos: una activación manual y un Modo Sabbath automático.

El primer método (manual) puede activarse siguiendo las instrucciones de la Sección de Controles del Refrigerador (Página 7). El modo Sabbath saldrá automáticamente después de 96 horas.

El segundo método (automático) utiliza un Shabbos Keeper para Refrigeradores independiente que debe conectarse al refrigerador. El Shabbos Keeper puede adquirirse en [zmantechnologies.com](http://zmantechnologies.com) o [geappliances.com](http://geappliances.com). La única manera de habilitar el modo

Sabbath OU y CRC automático es mediante la compra del Shabbos Keeper para Refrigeradores. El Shabbos Keeper se conecta a su refrigerador para habilitar automáticamente los modos compatibles con Shabbos cada semana y antes de cada festividad. El modo correspondiente se activará automáticamente según la fecha del calendario judío para su ubicación. Cuando el Shabbos Keeper está correctamente conectado al refrigerador, la pantalla mostrará una Pantalla Fija con un botón Exit Sabbath mode (Salir del modo Sabbath).



POWERED BY:



# Cuidado y Limpieza

## Limpieza de la Parte Exterior

**ACERO INOXIDABLE RESISTENTE A HUELLAS DACTILARES\***, - Superficies exteriores, manijas de puertas y molduras

**⚠ NO utilice limpiadores para acero inoxidable en las superficies de las puertas. ⚠**

**IMPORTANTE:** El uso de productos incorrectos puede dañar el acabado exterior de los modelos de Acero Inoxidable Resistente a Huellas Dactilares y Acero Inoxidable Negro. Siga estas instrucciones y utilice únicamente los artículos apropiados indicados a continuación para limpiar las superficies de su electrodoméstico.

- Limpie las superficies interiores/exteriores con agua tibia, jabón suave o detergente y un paño suave o de microfibra para evitar daños.
- Seque la superficie del electrodoméstico con un paño suave y limpio o una toalla de microfibra para evitar marcas o manchas de agua.

SÍ USE	NO USE	
Paño o esponja suave y limpia.	Paño de microfibra Paños abrasivos, toallas de papel, esponjas para fregar (con o sin jabón), almohadillas de estropajo o de lana de acero	
Detergente suave mezclado con agua tibia	Polvos, líquidos o aerosoles abrasivos Limpiadores para vidrios, amoníaco o blanqueador Limpiadores a base de aceites cítricos o vegetales. Limpiadores ácidos o a base de vinagre Limpiadores para hornos.	Limpiadores alcalinos. Limpiadores para acero inoxidable Acero inoxidable - Superficies exteriores, manijas de puertas y molduras

\*Elimine fácilmente manchas y huellas dactilares.

## Limpieza de la Parte Interior

**Para evitar olores,** deje abierta una caja de bicarbonato de sodio en los compartimientos del refrigerador y del freezer.

**Desenchufe el refrigerador antes de limpiar.**

Si esto no resulta práctico, estruje el exceso de humedad para eliminarlo de la esponja o tela al limpiar alrededor de los interruptores, luces o controles.

Use un pulidor de cera para electrodomésticos en la superficie interior entre las puertas.

Use agua caliente y solución de bicarbonato de sodio — aproximadamente una cuchara sopera (15 ml) de bicarbonato de sodio para un cuarto de galón (1 litro) de agua. Esto limpia y neutraliza los olores. Enjuague y seque.

Para limpiar el panel metálico interno\*, abra la puerta externa usando la Traba de Puerta en Puerta. Limpie el panel con un detergente suave y luego seque con una tela suave. No use ningún limpiador de acero inoxidable sobre el panel, ya que estos podrán dañar el plástico circundante.

### ⚠ PRECAUCIÓN

No limpie estantes de vidrio ni tapas con agua caliente cuando estén fríos. Los estantes de vidrio y las tapas se pueden romper si son expuestos a cambios de temperatura repentinos o impactos tales como sacudones o caídas. El vidrio templado está diseñado para destruirse en pequeñas piezas en caso de rotura.

No lave ninguna parte plástica del refrigerador en la lavadora de platos.

# Cuidado y Limpieza

## Detrás del Refrigerador

Tenga cuidado al alejar el refrigerador de la pared. Cualquier tipo de cobertura de piso puede ser dañada, particularmente las coberturas acolchonadas y aquellas con superficies con relieves.

Levante las patas niveladoras ubicadas en la parte frontal interior del refrigerador.

Empuje el refrigerador hacia afuera de forma recta y regrese el mismo a su posición empujándolo hacia adentro. Mover el refrigerador hacia una ubicación lateral podrá ocasionar daños sobre la cobertura del piso o el refrigerador.

Baje las patas niveladoras hasta que toquen el piso.

**⚠ ADVERTENCIA**



**RIESGO DE**

**DESCARGA ELÉCTRICA** Al volver a empujar el refrigerador, asegúrese de que no atraviese el cable de corriente ni la tubería de suministro de agua.

## Apagado y Reinicio del Refrigerador por Períodos Prolongados

Si estará de vacaciones o ausente por tiempo prolongado, retire la comida y desenchufe el refrigerador. Limpie el interior con una solución de bicarbonato de sodio de una cuchara sopera (15 ml) de bicarbonato de sodio para un cuarto de galón (1 litro) de agua. Deje las puertas abiertas.

Si la temperatura puede llegar a estar por debajo de la congelación, solicite a un técnico calificado que drene el sistema de suministro de agua a fin de prevenir daños graves sobre la propiedad debido a una inundación.

- 1) Apague el refrigerador o desenchufe el refrigerador.  
{Consulte la sección de CONTROLES, en la página 10.}
- 2) Vacíe la hielera
- 3) Cierre el suministro de agua

**Si cierra el suministro de agua, apague la máquina de hacer hielo**

Al regresar de sus vacaciones:

- 1) Reemplace el filtro de agua.
- 2) Deje correr 7.57 litros (2 galones) de agua a través del dispensador de agua fría (aproximadamente 5 minutos) a fin de eliminar el aire del sistema.

## Preparación para la mudanza

Asegure todos los ítems tales como estantes y cajones, pegando los mismos de forma segura en sus respectivos lugares a fin de evitar daños.

Al usar un carro manual para mover el refrigerador, no deje que la parte frontal ni la parte trasera descansen contra el carro manual. Esto podría dañar el refrigerador.

Lleve el mismo sólo sobre los costados del refrigerador.

Asegúrese de que el refrigerador permanezca en una posición erguida durante el movimiento.

## Reemplazo de las luces

### Luces del Refrigerador (LEDs)

El aspecto puede variar dependiendo del modelo.

Hay una luz LED en el compartimiento de refrigerador y en la parte inferior de las puertas de comidas frescas para iluminar el compartimiento del freezer.\*

Será necesario que un técnico autorizado reemplace las luces LED.

Si es necesario reemplazar este ensamble, visite [GEAppliances.com/service](http://GEAppliances.com/service) o llame al 833.4BODEWELL (833.426.3393). En Canadá, visite [GEAppliances.ca/service](http://GEAppliances.ca/service) o llame al 800.561.3344.

# Instrucciones de Instalación

## Refrigerador

¿Preguntas? Visite nuestro sitio web en: [GEAppliances.com](http://GEAppliances.com)

### ANTES DE COMENZAR

Lea estas instrucciones en su totalidad y atentamente.

**⚠ ADVERTENCIA**  **Riesgo de Caída.**

Los modelos PJD, PJE, PXD, CJE y CXE son inestables, especialmente cuando las puertas se encuentran abiertas. Estos modelos incluyen un soporte de anti volcaduras empaquetado con su refrigerador, el cual debe instalarse y asegurarse correctamente a la estructura de la vivienda para evitar caídas hacia adelante, lo que podría ocasionar la muerte o lesiones graves. Lea y siga las instrucciones de instalación en su totalidad para instalar el soporte de anti volcaduras para piso proporcionado con su refrigerador.

NOTA: Si usted tiene el modelo PJD, PJE, PXD, CJE o CXE y no recibió un soporte de anti volcaduras con su compra, llame al 833.4BODEWELL para recibir uno sin costo. Para obtener las instrucciones de instalación del soporte, visite: [www.GEAppliances.com](http://www.GEAppliances.com).

- **IMPORTANTE** — Cumpla con todos los códigos y ordenanzas gubernamentales. Conserve estas instrucciones para uso del inspector local.
- Nota para el Instalador – Asegúrese de que el Consumidor conserve estas instrucciones.
- Nota para el Comprador – Conserve estas instrucciones para referencia futura.
- Nivel de habilidad – La instalación de este electrodoméstico requiere un nivel básico de habilidades mecánicas.

### • IMPORTANTE — (cont.)

- Tiempo de Instalación – La instalación del refrigerador puede variar de acuerdo con la Instalación de la Tubería de Agua en unos 30 minutos
- La correcta instalación del producto es responsabilidad del instalador.
- Si se producen fallas en el producto debido a una instalación inadecuada la Garantía no cubrirá las mismas.

### PREPARACIÓN

#### CÓMO MOVER EL REFRIGERADOR EN UN ESPACIO INTERNO

Si el refrigerador no pasa por una puerta, la puertas del refrigerador y el cajón del freezer podrán ser retirados.

- Para retirar la puertas del refrigerador, consulte la sección Cómo Instalar el Refrigerador.
- Para retirar el cajón del freezer, consulte la sección Cómo Retirar el Cajón del Freezer.

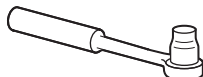
#### SUMINISTRO DE AGUA A LA MAQUINA DE HACER HIELO Y EL DISPENSADOR

Si el refrigerador cuenta con una máquina de hacer hielo, deberá ser conectada al suministro de agua fría. Un kit de suministro de agua de GE Appliances (que contenga tubería, válvula de cierre, uniones e instrucciones) está disponible por un costo adicional a nivel minorista, visitando nuestro sitio web en [bodewell.com/parts-search](http://bodewell.com/parts-search) o llamar 833.4BODEWELL 833.426.3393.

### HERRAMIENTAS QUE PUEDE NECESITAR



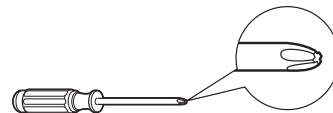
Llave Ajustable



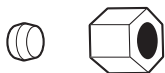
Trinquete / Destornillador de 5/16"



Llaves Allen (Hex.) de 1/8", 3/32", 1/4" y 5/32"



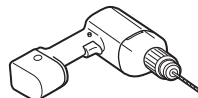
Destornillador con Cabeza Phillips



Tuerca de Compresión de Diámetro Externo y Abrazadera de Refuerzo (manga) de 1/4"



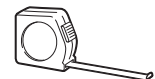
Lápiz



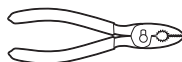
Broca y Taladro Eléctrico o Manual de 1/8"



Llave de Tuercas de 1/4"



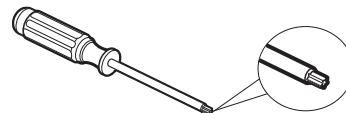
Cinta métrica



Pinzas



Destornillador con cabeza aplanada



Llave Torx T20, T25



Nivel

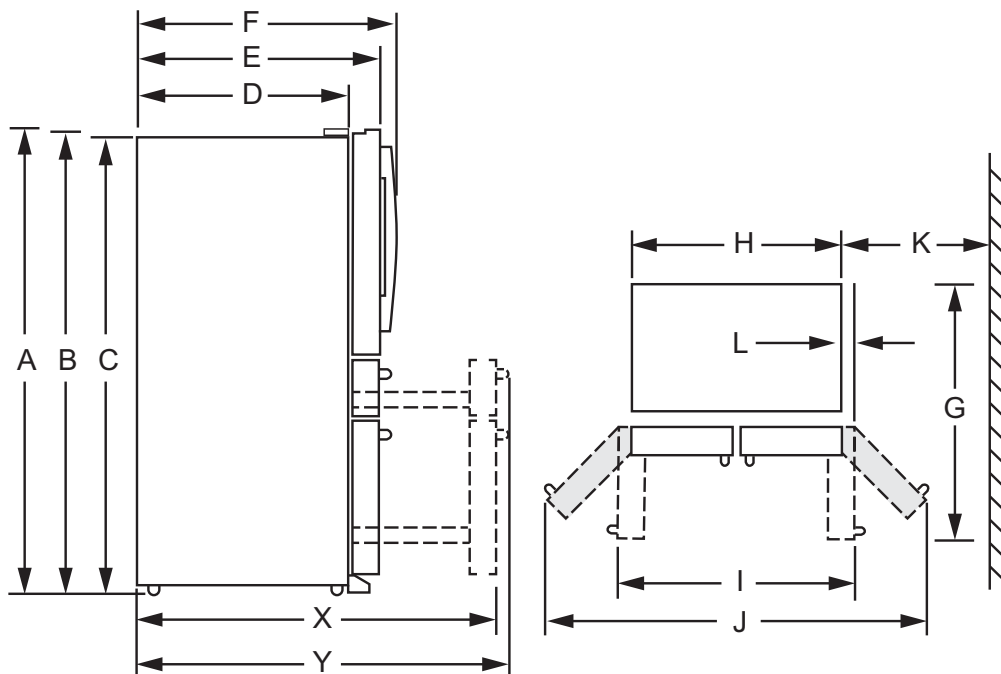
# Instrucciones de Instalación

## DIMENSIONES

NOTA: Se recomienda que el piso esté protegido por una cobertura plástica a través del proceso de instalación.

NOTA: No recomendado para la instalación en pisos alfombrados.

NOTA: La longitud del cable de corriente es de 68" (1727 mm)



	PVD28		PXD22	
	pulgadas	milímetros	pulgadas	milímetros
Altura Total hasta la Parte Superior de la Puerta (A)	70	1778	70	1778
Altura hasta la Parte Superior de la Tapa de la Bisagra (B)	69 7/8	1775	69 7/8	1775
Altura hasta la Parte Superior de la Carcasa (C)	68 5/8	1743	68 5/8	1743
Profundidad de la Caja sin Puerta (D)	29 1/2	749	24 1/2	622
Profundidad de la Carcasa con Puerta, menos la Manija de la Puerta (E)	34 1/4	870	29 1/4	743
Profundidad de la Carcasa con Puerta y Manija (F)	36 3/4	933	31 3/4	806
Profundidad con la Puerta de Comidas Frescas Abierta a 90° (G)	48 3/8	1229	48 3/8	1102
Ancho (H)	35 3/4	908	35 3/4	908
Profundidad con la Puerta Abierta a 90°, con la Manija (I)	44 3/8	1127	44 3/8	1127
Ancho con las Puertas Totalmente Abiertas (J)	63	1600	63	1600
Distancia Mín. entre la Carcasa y la Pared para Permitir que las Puertas se Abran Totalmente (K)	13 5/8	346	13 5/8	346
Distancia entre el gabinete y la puerta, con la puerta abierta 90°(L)	4 3/8	111	4 3/8	111
Profundidad con la Puerta del Freezer Completamente Abierta, con la Manija (X)	53 1/2	1359	46	1168
Profundidad con la Puerta del Freezer Completamente Abierta, sin la Manija (Y)	56	1422	48 1/2	1232

# Instrucciones de Instalación

## CÓMO MOVER EL REFRIGERADOR

- Usando el siguiente cuadro, determine si el ancho de su pasillo es suficiente para la profundidad del refrigerador. Asegúrese de contar con espacio para evitar daños sobre el refrigerador antes de moverlo de forma segura hasta su ubicación final.
- Si los pasillos son lo suficientemente grandes como para ubicar el refrigerador sin retirar las manijas, continúe con el Paso 6. Deje la cinta, la envoltura y todo el embalaje en las puertas hasta que el refrigerador se encuentre en la ubicación final.
- **NOTA:** Use un carro manual con almohadillas o correas móviles para transportar el refrigerador. Coloque el refrigerador en el carro manual, apoyando un costado contra este último. Recomendamos enfáticamente que dos personas realicen el traslado y completen la instalación.

Si la abertura posee dimensiones inferiores a la siguientes, retire las piezas de la puerta en orden, hasta que la dimensión sea inferior a la abertura.

	PVD28	PXD22
Retire las Manijas	38" (965 mm)	33" (8389 mm)
Retire las Puertas	36" (914 mm)	32" (813 mm)
Retire la Bisagra Central	34" (864 mm)	29" (737 mm)

## REFRIGERATOR LOCATION

- Do not install the refrigerator where the temperature will go below 60°F (16°C) because it will not run often enough to maintain proper temperatures.
- Do not install the refrigerator where the temperature will go above 100°F (37°C) because it will not perform properly.
- Do not install the refrigerator in a location exposed to water (rain, etc.) or direct sunlight.
- Install it on a floor strong enough to support it fully loaded.

## ESPACIO NECESARIO

Deje el siguiente espacio para facilitar la instalación, una adecuada circulación de aire y plomería y conexiones eléctricas.

- Costados 1/8" (3 mm)
- Parte superior 1" (25 mm)
- Parte trasera 2" (50 mm)

## CÓMO RETIRAR LAS PUERTAS DEL REFRIGERADOR

- **NOTA IMPORTANTE:** Si los pasillos son de menor profundidad que su refrigerador, las puertas y las manijas del refrigerador se podrán rayar y dañar fácilmente. Las puertas podrán ser retiradas, a fin de permitir que el refrigerador sea movido de forma segura en áreas interiores. Si los pasillos son menores que la profundidad de su refrigerador y las manijas están instaladas, comience invirtiendo el Paso 1 para quitar las manijas.
- Si no es necesario retirar las manijas o las puertas, continúe con el Paso 13. Deje la cinta y todo el embalaje en las puertas hasta que el refrigerador se encuentre en su ubicación final.
- **NOTA:** Use un carro manual para transportar el refrigerador. Coloque el refrigerador en el carro manual, apoyando un costado contra este último. Recomendamos enfáticamente que DOS PERSONAS realicen el traslado y completen la instalación.

# Instrucciones de Instalación

## CÓMO INSTALAR EL REFRIGERADOR

### 1 INSTALACIÓN DE LAS MANIJAS DEL REFRIGERADOR Y DEL FREEZER

#### Antes de Comenzar...

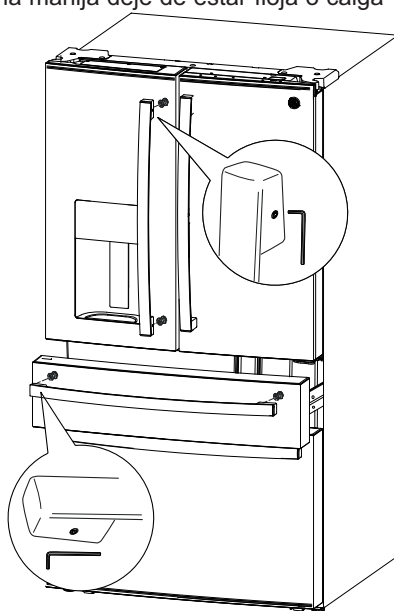
- Para evitar lesiones, use un calzado cerrado en la parte de los dedos de los pies al instalar las manijas.
- Al instalar la manija, tome la misma de manera firme para asegurarse de que no caiga ni raye el acabado del electrodoméstico.
- **IMPORTANTE:** Para asegurarse de que las manijas se encuentren instaladas de forma precisa, por favor revise las instrucciones y gráficos antes de comenzar con las instalación.
- **IMPORTANTE:** No use herramientas eléctricas para colocar los tornillos de ajuste.

#### Herramientas Provistas:

- Llave hexagonal de 1/8"

La estética de las manijas podrá variar de acuerdo al modelo; sin embargo, el proceso de instalación es el mismo.

1. Retire cualquier película protectora de los frentes de puertas o cajones antes de realizar la instalación de las manijas (si corresponde).
2. Retire la manija del embalaje y encuentre la llave hexagonal de 1/8" provista.
3. Coloque la manija sobre los suspensores de montaje hasta que se encuentre nivelada contra la superficie de la puerta.
4. Ajuste ambos tornillos en las capas de terminación de la manija, girando la llave hexagonal 1/8" en sentido horario, hasta que la manija deje de estar floja o caiga de su montaje. Aún no ajuste completamente.
5. **IMPORTANTE:** Sostenga la manija de manera firme contra la puerta, asegúrese de que no haya brechas entre las tapas de terminación de la manija y la puerta, y entonces ajuste completamente los tornillos.



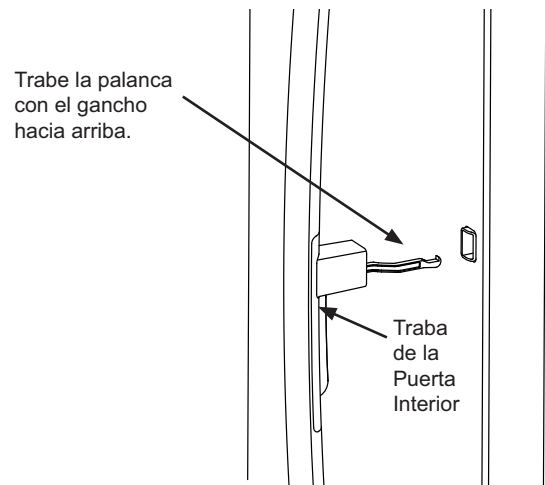
Para retirar las manijas, invierta el proceso de instalación.

### 2 INSTALACIÓN DE LA MANIJA DEL REFRIGERADOR PARA MODELOS CON PUERTA INTERIOR

La estética de las manijas podrá variar de acuerdo al modelo; sin embargo, el proceso de instalación es el mismo.

1. Retire cualquier película protectora de los frentes de puertas o cajones antes de realizar la instalación de las manijas (si corresponde). **No retire la cinta que asegura la puerta interior con relación a la puerta exterior hasta haber instalado la manija.**
2. Retire la manija del embalaje y encuentre la llave hexagonal de 1/8" provista.
3. Alinee la palanca con la abertura sobre la puerta exterior. Asegúrese de que el gancho apunte hacia arriba.
4. Inserte la palanca de la traba en la abertura y coloque la manija sobre los suspensores de montaje hasta que quede nivelada contra la superficie de la puerta.
5. Ajuste ambos tornillos en las capas de terminación de la manija, girando la llave hexagonal 1/8" en sentido horario, hasta que la manija deje de estar floja o caiga de su montaje. Aún no ajuste completamente.
6. **IMPORTANTE:** Sostenga la manija de manera firme contra la puerta, asegurándose que no haya brechas entre las tapas de terminación de la manija y la puerta, y entonces ajuste completamente los tornillos.

Para retirar las manijas, invierta el proceso de instalación.



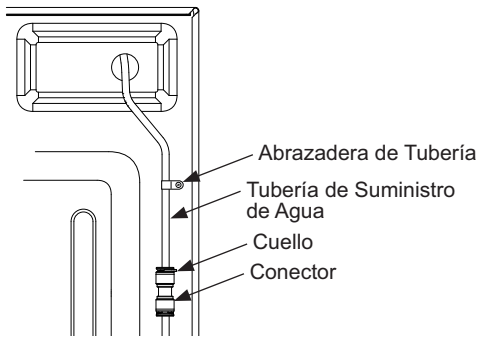
# Instrucciones de Instalación

## CÓMO INSTALAR EL REFRIGERADOR (Cont.)

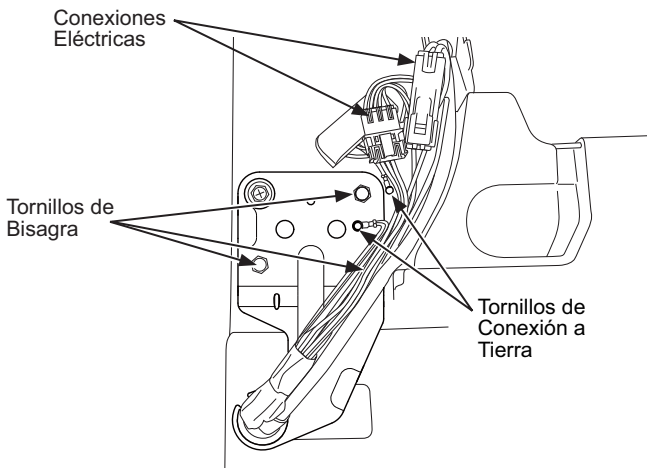
### 3 RETIRE LA PUERTA DEL LADO IZQUIERDO

#### ⚠ ADVERTENCIA (si es necesario)

Siga todos los pasos para retirar y volver a instalar la puerta. Si no se siguen estas instrucciones, dejando piezas sin uso o ajustando tornillos en exceso, esto podrá hacer que la puerta se caiga y producir lesiones y daños sobre la propiedad.



- Afloje la tubería de suministro de agua de la máquina de hielo.
  - Afloje y retire la abrazadera del tubo que sostiene la tubería de suministro de agua sobre la parte trasera del refrigerador.
  - Retire el cuello negro superior del conector de la tubería de suministro de agua, en la parte trasera superior derecha del refrigerador.
  - Presione la lengüeta blanca hacia abajo y separe la tubería del suministro de agua del conector.
- Retire la tapa de la bisagra izquierda, retirando los 2 tornillos de la tapa de la bisagra con un destornillador de cabeza Phillips, hexagonal de 7 mm o Llave Torx T20 y levantando la misma desde el lado izquierdo. Desconecte los conectores eléctricos y empuje la tubería de suministro de agua de la máquina de hielo a través de la carcasa.



- De forma segura, encinte la puerta cerrada con cinta de mascarar o pídale a otra persona que sostenga la puerta.
- Retire los tornillos que sostienen la bisagra con un adaptador de 5/16". Levante la bisagra del refrigerador y de la puerta.

### 3 RETIRE LA PUERTA DEL LADO IZQUIERDO (cont.)

**NOTA:** Para una instalación posterior adecuada, siga el siguiente paso de forma cuidadosa.

- Retire la cinta manteniendo la puerta lo más derecha posible, y luego levante la misma para retirarla.

#### ⚠ PRECAUCIÓN

**Riesgo al levantar la puerta**

La puerta del freezer es pesada. Use ambas manos para asegurar la puerta antes de levantar la misma.

### 4 RETIRE LA PUERTA DEL LADO DERECHO (si es necesario)

- Retire la tapa de la bisagra derecha. (si es necesario)
- De forma segura, encinte la puerta cerrada con cinta de mascarar o pídale a otra persona que sostenga la puerta.
- Retire los tornillos que sostienen la bisagra con un adaptador de 5/16". Levante la bisagra del refrigerador y de la puerta.

**Para una instalación posterior adecuada, siga los próximos pasos de forma cuidadosa:**

- Retire la cinta manteniendo la puerta lo más derecha posible, y luego levante la misma para retirarla.

#### ⚠ PRECAUCIÓN

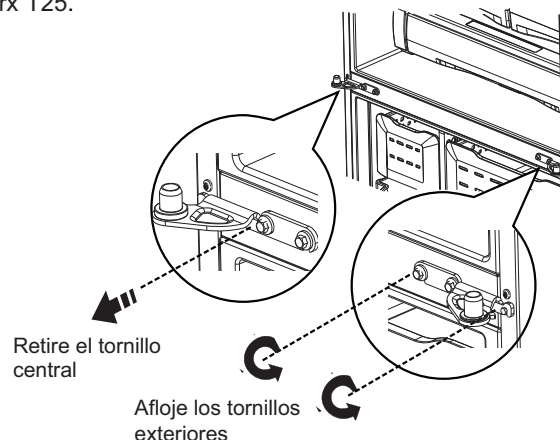
**Riesgo al levantar la puerta**

La puerta del freezer es pesada. Use ambas manos para asegurar la puerta antes de levantar la misma.

**To reassemble doors, reverse removal steps.**

### 5 RETIRE LA BISAGRA CENTRAL

Retire los tornillos que aseguran la bisagra al gabinete. Los tornillos interiores necesitan un adaptador de 5/16". Para el tornillo exterior es necesaria una llave Phillips nº2 o Llave Torx T25.



# Instrucciones de Instalación

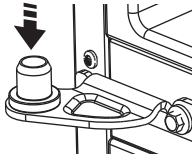
## CÓMO INSTALAR EL REFRIGERADOR (Cont.)

### 6 REINSTALACIÓN DE LAS PUERTAS DEL LADO IZQUIERDO Y DERECHO

#### ⚠ ADVERTENCIA

Siga todos los pasos para retirar y volver a instalar la puerta. Si no se siguen estas instrucciones, dejando piezas sin uso o ajustando tornillos en exceso, esto podrá hacer que la puerta se caiga y producir lesiones y daños sobre la propiedad.

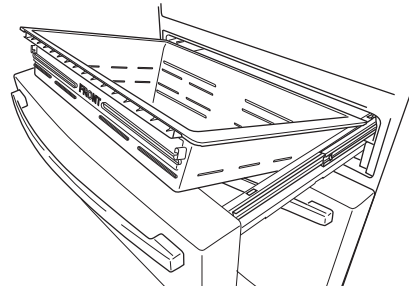
1. Vuelva a instalar la bisagra central primero y gire el tornillo de 1/4" a 65 libras por pulgada (7.34 N-m) y el tornillo pequeño a 25 libras por pulgada (2.82 N-m). Dándole al tornillo un 1/3 de giro luego de que quede nivelado con la superficie de contacto se lograrán realizar estos giros.
2. Baje la puerta del refrigerador sobre la bisagra central.
3. **De forma segura enciente el cierre de la puerta con cinta de mascarar o pida a otra persona que sostenga la puerta.**
4. Reinstallation is the reverse of the removal instructions.
5. Asegúrese de reinstalar el cable a tierra y el amortiguador de refuerzo a la bisagra superior.
6. Vuelva a instalar la tapa de la bisagra.



**NOTA:** Asegúrese de que los cables no sufran cortes ni queden debajo de tornillos antes de ajustar estos últimos.

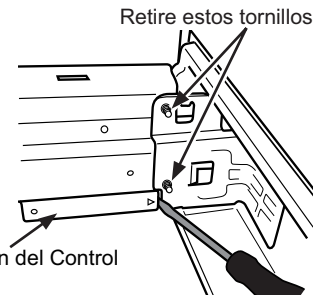
### 7 RETIRO DEL CAJÓN CONVERTIBLE

1. Retire la canasta del cajón convertible levantando la misma mientras gira la canasta hacia arriba.

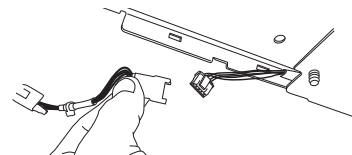


2. Desconecte la conexión del control del cajón convertible.

- Utilizando un tornillo de cabeza plana, retire la tapa sobre los conectores eléctricos en la parte interior derecha del marco del cajón. La tapa se engancha a través del marco del cajón hacia la parte interior del refrigerador.



- Presione la lengüeta en el centro del conector para realizar la separación.



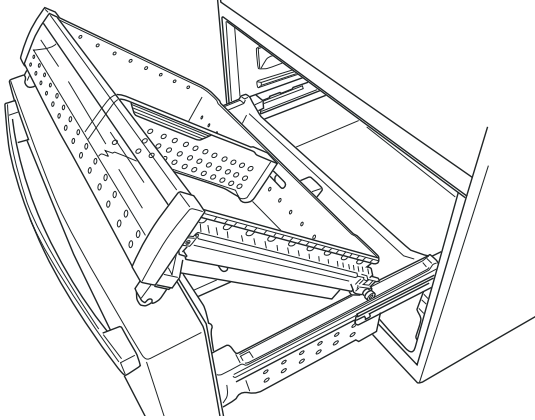
3. Retire los 2 tornillos a cada lado del marco con un adaptador de 5/16".
4. Retire la puerta levantando los ganchos.

# Instrucciones de Instalación

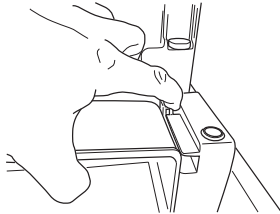
## CÓMO INSTALAR EL REFRIGERADOR (Cont.)

### 8 RETIRE LA CANASTA INFERIOR DEL FREEZER

- Empuje la canasta del cajón superior del freezer hacia adelante hasta que esté fuera del carril en el compartimiento del freezer. Levante, mientras gira la canasta hacia arriba para su retiro.



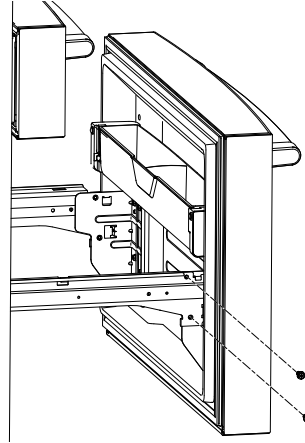
- Presione la lengüeta sobre el soporte lateral derecho para retirar el estante de la puerta del freezer.



- Empuje hacia usted el cajón del freezer hasta su extensión completa.
- Levante la canasta del cajón del freezer inferior levemente hacia atrás, y luego hacia arriba y afuera del cajón.

### 9 RETIRE EL CAJÓN DEL FREEZER

1. Abra el cajón del freezer hasta su extensión completa.
2. Retire los dos tornillos a cada lado del marco con un adaptador de 5/16".

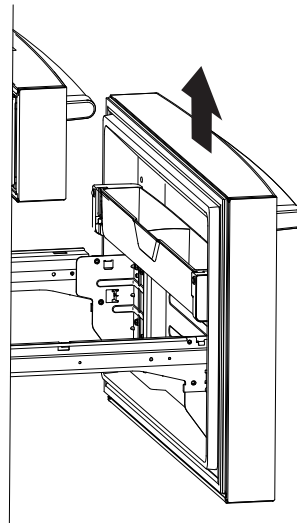


#### ⚠ PRECAUCIÓN

Riesgo al levantar la puerta

La puerta del freezer es pesada. Use ambas manos para asegurar la puerta antes de levantar la misma.

3. Retire la puerta levantando los ganchos.

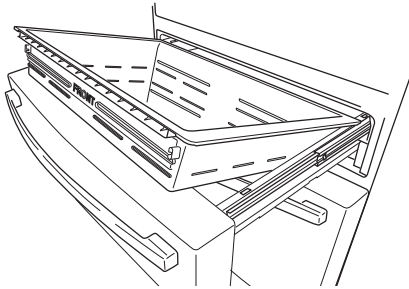


# Instrucciones de Instalación

## CÓMO INSTALAR EL REFRIGERADOR (Cont.)

### 10 VUELVA A INSTALAR EL CAJÓN CONVERTIBLE

Para volver a ensamblar las puertas, invierta los pasos de retiro. La canasta del cajón convertible quedará floja si se vuelve a instalar en la dirección contraria. Como ayuda para volver a realizar la instalación, observe el estampado "FRONT" (frontal).



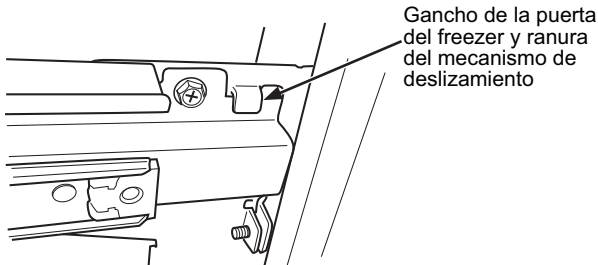
### 11 REEMPLAZO DE LA PUERTA DEL FREEZER

#### ⚠ PRECAUCIÓN

**Riesgo al levantar la puerta**

La puerta del freezer es pesada. Use ambas manos para asegurar la puerta antes de levantar la misma.

1. Empuje la canasta inferior y deslice el mecanismo hasta su extensión completa usando ambas manos.
2. Levante la puerta del freezer y alinee los ganchos con las ranuras sobre los mecanismos de deslizamiento.

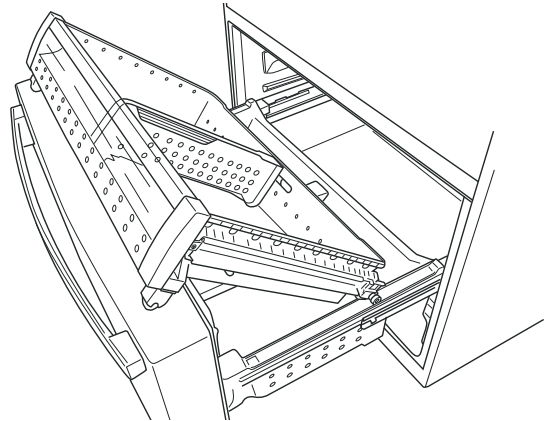


**NOTA:** Coloque un lado primero, y luego alinee el otro lado.

3. Reemplace los tornillos adheridos y ajuste los mismos con giros de torsión de 65 libras pulgada (7.34 N-m).

### 12 VUELVA A INSTALAR LAS CANASTAS DEL FREEZER

1. Vuelva a instalar la canasta inferior del freezer.
2. Vuelva a instalar el cajón superior del freezer, colocando las ruedas del cajón en la parte superior de los rieles sobre el costado de las paredes del freezer. Las ruedas frontales del cajón del freezer deberán estar en la parte superior de la canasta inferior.



3. Controle que el funcionamiento de las canastas sea el adecuado.

# Instrucciones de Instalación

## CÓMO INSTALAR EL REFRIGERADOR (Cont.)

### 13 CÓMO CONECTAR EL REFRIGERADOR AL SUMINISTRO DE AGUA DEL HOGAR

Se requiere un suministro de agua fría para el funcionamiento de la máquina de hielo automática. Si no se cuenta con un suministro de agua fría, deberá proveer uno. Consulte la sección sobre Cómo Instalar el Suministro de Agua.

**NOTAS:**

- Antes de realizar la conexión al refrigerador, asegúrese de que el cable de corriente del mismo no se encuentre enchufado al tomacorriente.
  - Si su refrigerador no cuenta con un filtro de agua, le recomendamos que instale uno si el suministro de agua posee arena o partículas que podrían atascar la rejilla de la válvula de agua del refrigerador. Instale el mismo en la tubería de agua más cercana al refrigerador. Si usará el Kit de Tuberías para Refrigeradores de SmartConnect™, necesitará una tubería adicional (WX08X10002) para realizar la conexión al filtro. No corte la tubería de plástico para instalar el filtro.
  - Antes de conectar la tubería de agua al hogar, purgue la cañería del hogar durante por lo menos 2 minutos.
1. Si usará una tubería de cobre, coloque una tuerca de compresión y una abrazadera de refuerzo (mango) en el extremo de la tubería proveniente del suministro de agua fría del hogar.  
Si usará tuberías de SmartConnect™, las tuercas ya están ensambladas en la tubería.

2. Si usará tuberías de cobre, inserte el extremo de la tubería en la conexión del refrigerador, en la parte trasera del refrigerador, lo más lejos posible. Al sostener la tubería, ajuste la unión.

Si usará tuberías de SmartConnect™, inserte el extremo moldeado de la tubería en la conexión del refrigerador, en la parte trasera del refrigerador, y ajuste la tuerca de compresión hasta que quede ajustada manualmente. Luego realice un ajuste adicional con un giro de llave. Un ajuste excesivo podrá ocasionar pérdidas.

3. Ajuste la tubería en la abrazadera provista para sostener la misma en la posición correcta. Será necesario que abra la abrazadera haciendo palanca.

**⚠ ADVERTENCIA**

Realice la conexión a un suministro de agua potable únicamente.

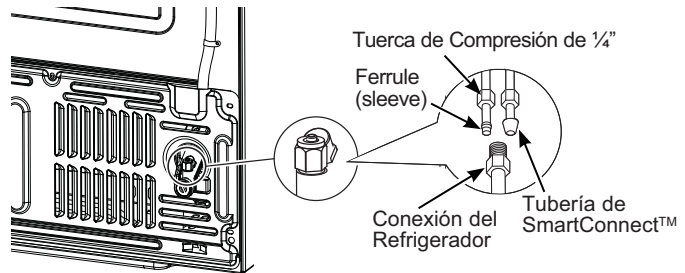
Se requiere un suministro de agua fría para el funcionamiento de la máquina de hielos automática. La presión del agua deberá estar entre 40 y 120 psi (275-827 kilopascales).

**⚠ ADVERTENCIA**



**PELIGRO DE DESCARGA ELÉCTRICA**

Adhiera la abrazadera de la tubería usando el agujero existente únicamente. NO perforo el refrigerador.

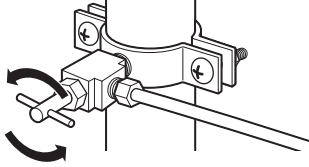


# Instrucciones de Instalación

## CÓMO INSTALAR EL REFRIGERADOR (Cont.)

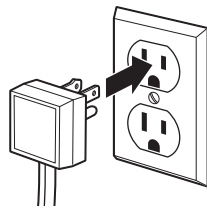
### 14 ABRA EL SUMINISTRO DE AGUA

Abra el suministro de agua usando la válvula de cierre (suministro de agua hogareño) y controle que no haya pérdidas.



### 15 ENCHUFE EN EL REFRIGERADOR

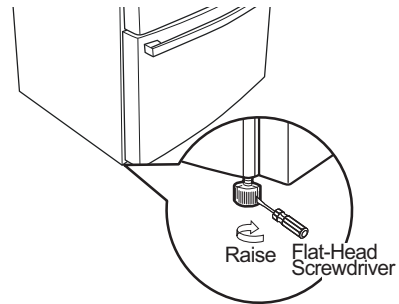
Consulte la información de conexión a tierra adjunta con el cable de corriente.



### 16 NIVELACIÓN DEL REFRIGERADOR

Las patas niveladoras poseen 2 propósitos:

1. Las patas niveladoras se ajustan de modo que el refrigerador quede posicionado de manera firme en el piso y no se tambalee.
  2. Las patas niveladoras sirven como freno estabilizador para sostener el refrigerador de forma segura en su posición durante el funcionamiento y la limpieza. Las patas niveladoras también evitan la caída del refrigerador.
- Gire las patas niveladoras en dirección de las agujas del reloj para levantar el refrigerador, en contra de las agujas del reloj para bajarlo.



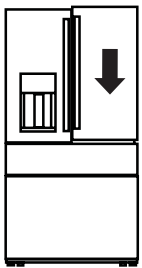
**AVISO:** A fin de evitar posibles daños sobre la propiedad, las patas niveladoras deberán estar tocando el piso de manera firme.

# Instrucciones de Instalación

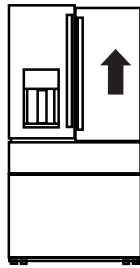
## CÓMO INSTALAR EL REFRIGERADOR (Cont.)

### 17 NIVELACIÓN DE LAS PATAS DEL REFRIGERADOR

Recuerde que es necesario que el refrigerador esté nivelado para que las puertas estén perfectamente apoyadas. Si necesita ayuda, revise la sección previa sobre nivelación del refrigerador.

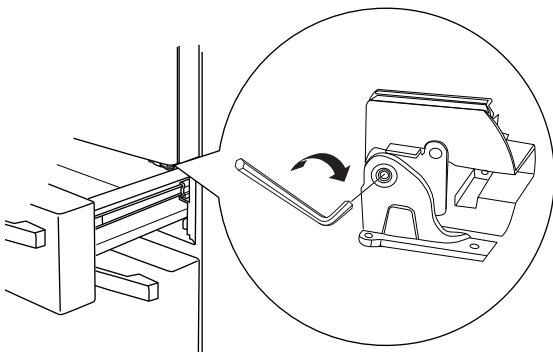
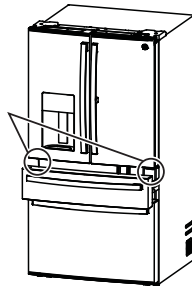


Lorsque la porte de gauche est plus basse que la porte de droite.



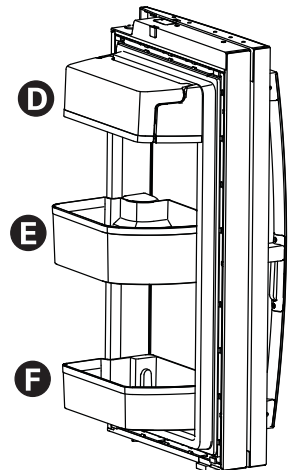
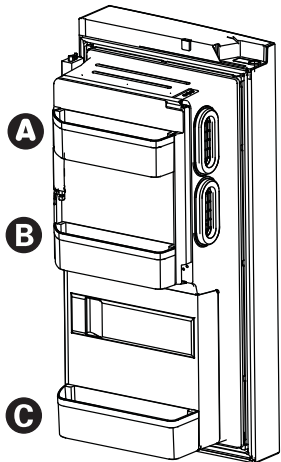
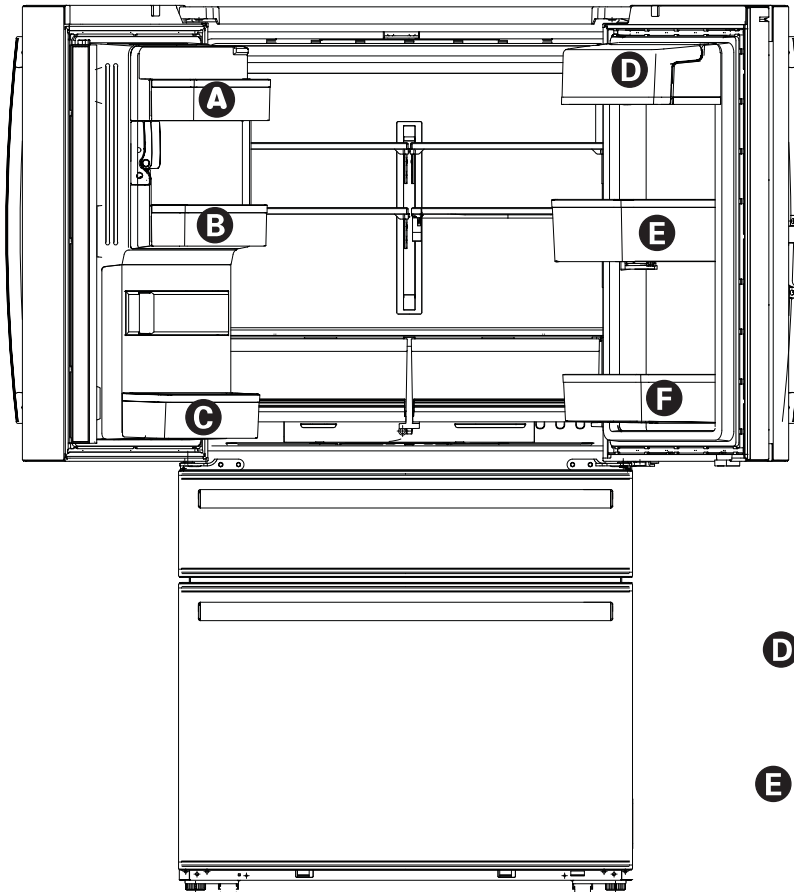
Lorsque la porte de gauche est plus haute que la porte de droite.

- A. Acceda a los tornillos de la bisagra abriendo el cajón convertible.
- B. Inserte una llave Allen de 1/4" en el hueco de la bisagra Point de réglage.
- C. Ajuste la altura girando en dirección a favor o en contra de las agujas del reloj. Al girar en contra de las agujas del reloj, la puerta se moverá.



# Instrucciones de Instalación

## CÓMO INSTALAR EL REFRIGERADOR (Cont.) Modelos Profile de Cuatro Puertas Door-in-Door

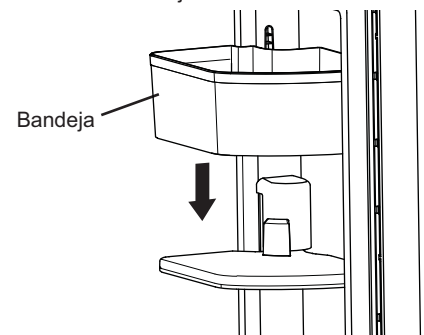
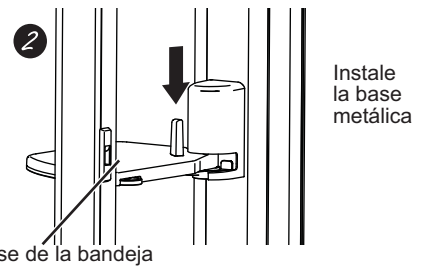
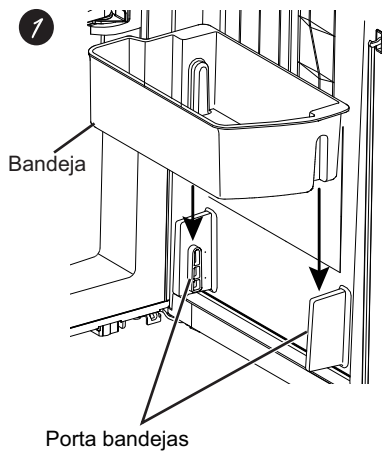


**1 Para colocar las bandejas ajustables en la puerta:**

Posicione las bandejas sobre los porta bandejas y empuje hacia abajo hasta que se ajusten en sus posiciones.

**2 Para colocar la bandeja giratoria en la puerta:**

1. Deslice el ensamble de la base de la bandeja en el soporte de la puerta.
2. Deslice la bandeja sobre la base de la bandeja.



# Instrucciones de Instalación

## CÓMO INSTALAR LA TUBERÍA DE AGUA

### ANTES DE COMENZAR

Los kits de suministro de agua de cobre recomendados son WX8X2, WX8X3 o WX8X4, dependiendo de la cantidad de tubería necesaria. Las tuberías de suministro de agua de plástico aprobadas son las Tuberías para Refrigerador de SmartConnect™ (WX08X10006, WX08X10015 y WX08X10025).

Al conectar su refrigerador a un Sistema de Agua por Ósmosis Inversa de GE Appliances, la única instalación aprobada es con el Kit GE Appliances RV. Con otros sistemas de agua por ósmosis inversa, siga las recomendaciones del fabricante.

Si el suministro de agua al refrigerador es de un Sistema de Filtración de Agua por Ósmosis Inversa (RO) Y el refrigerador también cuenta con un filtro de agua, use el tapón del bypass del filtro del refrigerador. Cómo usar el tapón del bypass del filtro del Refrigerador. El uso del cartucho de filtración de agua del refrigerador junto con un filtro de agua RO podrá producir cubos de hielo huecos. Algunos modelos no están equipados con el tapón del bypass gratuito, llame al 800.692.6630 y solicite el tapón del bypass del filtro WR17X33825. En Canadá, llame al 800.561.3344.

Esta instalación de la tubería de agua no posee garantía del fabricante del refrigerador o de la máquina de hacer hielo. Siga estas instrucciones con cuidado, a fin de minimizar el riesgo de daños caros sobre el agua.

Los golpes de ariete (agua que golpea las tuberías) en la plomería del hogar pueden ocasionar daños sobre las piezas del refrigerador y generar pérdidas de agua o inundación. Llame a un plomero calificado para corregir los golpes de ariete antes de instalar la tubería de suministro de agua al refrigerador.

A fin de evitar quemaduras y daños sobre los productos, no adhiera la tubería de agua a la tubería de agua caliente.

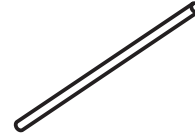
Si el refrigerador es utilizado antes de haber realizado la conexión de agua a la máquina de hacer hielo, consulte la sección de Controles en la página 10 para apagar la máquina de hacer hielo.

No instale la tubería de la máquina de hacer hielo en áreas donde las temperaturas lleguen a estar bajo cero.

Al usar un dispositivo eléctrico (tal como un taladro eléctrico) durante la instalación, asegúrese de que el dispositivo cuente con doble aislación o que esté conectado a tierra de modo que se eviten riesgos de descargas eléctricas, o que sea cargados a través del uso de una batería.

Todas las instalaciones de deben realizar de acuerdo con los requisitos indicados en el código local de plomería.

### LO QUE NECESITARÁ



- Kit de Tubería para Refrigerador de Cobre o SmartConnect™ de ¼" de diámetro externo para conectar el refrigerador al suministro de agua. Si usará cobre, asegúrese de que ambos extremos de la tubería hayan sido cortados de forma recta.

A fin de determinar cuánta tubería es necesaria: mida la distancia desde la válvula de agua en la parte trasera del refrigerador hasta la tubería del suministro de agua. Asegúrese de que haya suficiente tubería adicional para permitir que el refrigerador pueda ser retirado de la pared luego de la instalación.

Los Kits de Tuberías para Refrigerador de SmartConnect™ están disponibles en las siguientes longitudes:

8' (2.4 m)	– WX08X10006
15' (4.6 m)	– WX08X10015
25' (7.6 m)	– WX08X10025

### ⚠ ADVERTENCIA

Realice la conexión a un suministro de agua potable únicamente.

Se requiere un suministro de agua fría para el funcionamiento de la máquina de helos automática. La presión del agua deberá estar entre 40 y 120 psi (275-827 kilopascales).

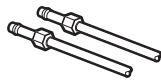
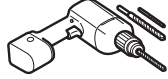
# Instrucciones de Instalación

## CÓMO INSTALAR LA TUBERÍA DE AGUA (Cont.)

### LO QUE NECESITARÁ (Cont.)

**NOTA:** La única tubería plástica aprobada es aquella provista con los Kits de Tuberías para Refrigerador de SmartConnect™. No use ningún otro suministro de agua plástico, ya que el suministro se encuentra bajo presión en todo momento. Ciertos tipos de plásticos podrán sufrir fisuras o roturas con el paso del tiempo y ocasionar problemas con el agua en su hogar.

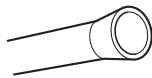
- Un kit de suministro de agua (el cual contiene tubería, válvula de cierre y uniones que figuran en la lista siguiente) está disponible por un costo adicional a través de su vendedor minorista o [cafeappliances.com/parts](http://cafeappliances.com/parts). (En Canadá, [cafeappliances.ca/parts](http://cafeappliances.ca/parts)).
- Un suministro de agua fría. La presión del agua deberá estar entre 20 y 120 p.s.i. (barra 1.4-8.1).
- Taladro eléctrico.
- 1/2" o llave ajustable.
- Destornillador de punta plana o Phillips.



- 2 abrazaderas de compresión (mangas) y dos tuercas de compresión de 1/4" de diámetro externo – para conectar la tubería de cobre a la válvula de cierre y a la válvula de agua del refrigerador.

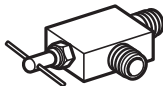
O

- Si usará un kit de Tuberías para Refrigerador de SmartConnect™, las uniones necesarias están preensambladas a la tubería.



- Si su tubería de agua de cobre existente posee una unión con avellanado en su extremo, necesitará un adaptador (disponible en las tiendas de suministros) para conectar la tubería de agua al refrigerador O puede cortar la unión con avellanado con un cortador de tubo y luego usar una unión de compresión. No corte los extremos con forma de la tubería para refrigerador de SmartConnect™.

- Cierre la válvula para conectar a la tubería de agua fría. La válvula de cierre debería tener una entrada de agua con un diámetro interior mínimo de 5/32" en el punto de conexión a la TUBERÍA DE AGUA FRÍA. Las válvulas de cierre tipo montura están incluidas en muchos kits de suministro de agua. Antes de su adquisición, asegúrese de que la válvula tipo montura cumpla con los códigos de plomería locales.



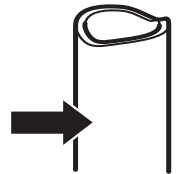
Instale la válvula de cierre en la tubería de agua potable de uso frecuente más cercana.

### 1 CIERRE EL SUMINISTRO DE AGUA PRINCIPAL

Encienda la canilla más cercana que sea lo suficientemente larga para despejar la tubería de agua.

### 2 ELIJA LA UBICACIÓN DE LA VÁLVULA

Elija una ubicación para la válvula que sea de fácil acceso. Es mejor conectar la misma en el lateral de una tubería de agua vertical. Cuando sea necesario conectarla en una tubería de agua horizontal, realice la conexión a la parte superior o lateral, en vez de la parte inferior, a fin de evitar el drenaje de cualquier sedimento de la tubería de agua.

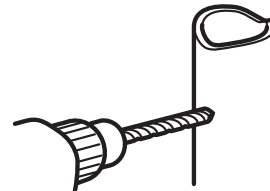


### 3 TALADRE EL AGUJERO DE LA VÁLVULA

Taladre un agujero de 1/4" en la tubería de agua (incluso si usará una válvula auto-perforante), usando una punta afilada. Elimine cualquier zumbido que resulte de haber taladrado el agujero en la tubería.

Tenga cuidado de no permitir que el agua se drene en el taladro.

Si no se taladra un agujero de 1/4" se podrá ver reducida la producción de hielo o los cubos de hielo podrán ser más pequeños.

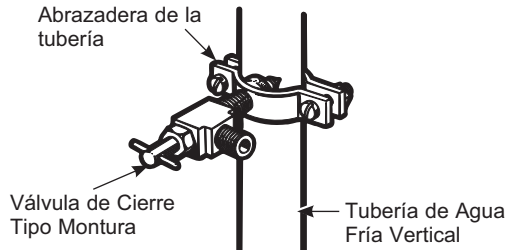


# Instrucciones de Instalación

## CÓMO INSTALAR LA TUBERÍA DE AGUA (Cont.)

### 4 AJUSTE LA VÁLVULA DE CIERRE

Ajuste la válvula de cierre de la tubería de agua fría con la abrazadera de la tubería.

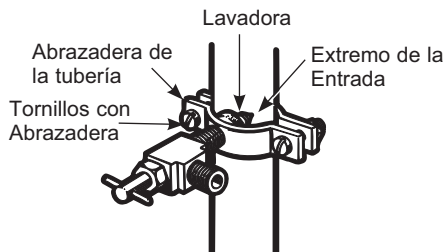


**NOTA:** Se deberá cumplir con los Códigos de Plomería del Commonwealth de Massachusetts 248CMR. Las válvulas tipo montura son ilegales y su uso está prohibido en Massachusetts. Consulte a un plomero matriculado.

### 5 AJUSTE LA ABRAZADERA DE LA TUBERÍA

Ajuste los tornillos de la abrazadera hasta que la arandela de sellado comience a hincharse.

**NOTA:** No ajuste en exceso o se podrá romper la tubería.



### 6 ENRUTE LA TUBERÍA

Enrute la tubería entre la entrada de agua fría y el refrigerador.

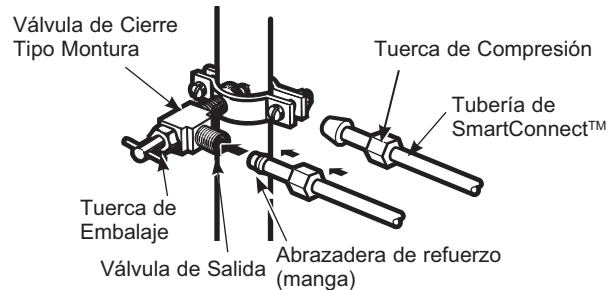
Enrute la tubería a través de un agujero perforado en la pared o el piso (detrás del refrigerador o del gabinete con base adyacente) tan cerca a la pared como sea posible.

### 7 CONECTE LA TUBERÍA A LA VÁLVULA

Coloque la tuerca de compresión y la abrazadera de refuerzo (manga) para colocar la tubería de cobre en el extremo de la tubería y conecte la misma a la válvula de cierre.

Asegúrese de que la tubería esté completamente insertada en la válvula. Ajuste la tuerca de compresión de forma segura.

Para usar una tubería de plástico del kit de Tuberías para Refrigerador SmartConnect™, inserte el extremo moldeado de la tubería en la válvula de cierre y ajuste la tuerca de compresión hasta que quede ajustada manualmente, y luego dé un giro de ajuste adicional con una llave. Un ajuste excesivo podrá ocasionar pérdidas.



**NOTA:** Se deberá cumplir con los Códigos de Plomería del Commonwealth de Massachusetts 248CMR. Las válvulas tipo montura son ilegales y su uso está prohibido en Massachusetts. Consulte a un plomero matriculado.

### 8 DESPEJE LA TUBERÍA

Abra el suministro de agua principal y despeje la tubería hasta que el agua esté limpia.

Cierre el agua usando la válvula de agua luego de haber dejado correr aproximadamente un galón (1 litro), o 2 minutos, de agua a través de la tubería.



Para completar la instalación del refrigerador, vuelva al Paso 12 en Cómo Instalar el Refrigerador.

# Condiciones de Funcionamiento Normal

El sonido de los refrigeradores nuevos es diferente al de aquellos más antiguos.  
Los refrigeradores modernos cuentan con más funciones y utilizan una tecnología más nueva.

**¿Escuchas lo que yo escucho? Estas condiciones son normales.**

**HUMMM...**  
**WHOOSH...**

- Es posible que el nuevo compresor de alta efectividad funcione más rápido y por más tiempo que aquel de su refrigerador antiguo, y es posible que escuche un zumbido o sonido de pulsación en un tono alto mientras está funcionando.
- Es posible que escuche gorgoteos al cerrar la puerta. Esto se debe al equilibrio de la presión dentro del refrigerador.



- Es posible que escuche los ventiladores girar en altas velocidades. Esto sucede cuando el refrigerador se enchufa por primera vez, cuando las puertas se abren con frecuencia o cuando una gran cantidad de comida es agregada a los compartimientos del refrigerador o del freezer. Los ventiladores están ayudando a mantener las temperaturas correctas.

## SONIDOS DE CLIC, ESTALLIDOS ROTURAS y CHASQUIDOS

- Es posible que escuche sonidos de roturas o estallidos cuando se enchufe el refrigerador por primera vez. Esto sucede mientras el refrigerador se enfría hasta la temperatura correcta.
- El compresor puede causar un sonido de chasquido o chirrido al intentar reiniciar (esto podría tomar hasta 5 minutos).
- La expansión y contracción de las bobinas de enfriamiento durante y después de la descongelación pueden producir sonidos de roturas o estallidos.
- En los modelos con máquina de hielo, luego de un ciclo de producción de hielo, es posible que escuche los cubos de hielo caer al recipiente del hielo.
- En los modelos con máquina de hacer hielo, luego de un ciclo de producción de hielo, es posible que escuche los cubos de hielo caer al recipiente del hielo.

## SONIDOS DEL AGUA



- Es posible que el flujo de refrigerante a través de las bobinas de enfriamiento produzca un gorgoteo similar a agua hirviendo.
- – El agua que cae sobre el calentador de descongelamiento puede producir un chisporroteo, estallido o zumbido durante el ciclo de descongelamiento.
- Es posible que se escuche un sonido de goteo durante el ciclo de descongelación, a medida que el hielo se derrite desde el evaporador y fluye hasta la olla de drenaje.
- Cerrar la puerta podrá provocar un sonido de burbujeo debido a la igualación de la presión.

## COMIENZO DEL ENFRIAMIENTO

Es posible que pasen hasta 24 horas para que las temperaturas del refrigerador y del freezer igualen la pantalla. Durante dicho tiempo, se deberían minimizar las aperturas de las puertas del refrigerador y del freezer.

### CONSEJOS

- El freezer se enfría primero.
- El compartimiento del refrigerador se enfría en último lugar; es posible que alcance el nivel de frío luego de varias horas después que el freezer.
- Apagar la máquina de hacer hielo permite que tanto la comida fresca como la comida del freezer se enfríen con mayor rapidez.

## Consejos para la Solución de Problemas... Antes de solicitar el servicio técnico

¡Ahorre tiempo y dinero! Primero revise los cuadros que aparecen en las siguientes páginas y es posible que no necesite solicitar reparaciones. ¡Ahorre tiempo y dinero! Primero revise los cuadros que aparecen en las siguientes páginas y es posible que no necesite solicitar reparaciones.

Problema	Causas Posibles	Qué Hacer
No está filtrando	Bypass del filtro instalado	Instale el filtro de agua correcto.
Reinicie el Filtro de Agua Filtro de Agua Vencido	El filtro de agua está goteando o debe ser reemplazado	Reemplace el filtro de agua, o instale el bypass del filtro** Para reiniciar el temporizador del filtro, presione el botón Settings (⚙️) (Configuraciones) hasta que se ilumine "Icemaker" (Máquina de Hielos), y luego presione los botones Water (Agua) y Ice (Hielo) de forma simultánea durante 3 segundos.
La luz indicadora del filtro permanece encendida luego de reemplazar el filtro	El filtro de agua o el tapón del bypass se instalaron al revés o el filtro se instaló de forma incorrecta.	Retire el filtro o el tapón del bypass, gire el mismo 180 grados y vuelva a realizar su instalación.
La manija está floja/ la manija tiene un espacio de separación.	Es necesario ajustar la manija	Para acceder a instrucciones detalladas, consulte las secciones <i>Cómo Ajustar la Manija de Comidas Frescas</i> y <i>Cómo Ajustar la Manija del Freezer</i> .
La luz del indicador del filtro de agua no está iluminada	Esto es normal. Este indicador se encenderá para indicarle que es necesario reemplazar el filtro de forma rápida.	Para más información, consulte <i>Acerca del Filtro de Agua</i> .
La manija está floja/ la manija tiene un espacio de separación.	Es necesario ajustar la manija	Para acceder a instrucciones detalladas, consulte las secciones <i>Cómo Ajustar la Manija de Comidas Frescas</i> y <i>Cómo Ajustar la Manija del Freezer</i> .
Pitido del refrigerador	Se trata de la alarma de la puerta	Apague o desactive la misma con la puerta cerrada**. Si la puerta está abierta y la alarma está sonando, sólo podrá detener la alarma.
No enfría	Consulte <i>Acerca de los Controles</i> .	Consulte <i>Acerca de los Controles</i>
El agua tiene mal gusto/ olor*	El dispensador de agua no fue usado durante un tiempo prolongado	Dispense agua hasta que toda el agua en el sistema sea repuesta.
El agua en el vaso está caliente*	Es normal cuando el refrigerador es usado por primera vez luego de su instalación	Espere 24 horas hasta que el refrigerador se enfríe completamente.
	El dispensador de agua no fue usado durante un tiempo prolongado	Dispense agua hasta que toda el agua en el sistema sea repuesta.
	El sistema de agua fue drenado	Espere varias horas hasta que el suministro repuesto se haya enfriado.
El dispensador de agua no funciona*	El suministro de agua está apagado o no está conectado	Consulte <i>Cómo Instalar el Suministro de Agua</i> .
	El filtro de agua está atascado o el enchufe del filtro/ bypass no fue instalado	Reemplace el cartucho del filtro o retire el filtro e instale el tapón del bypass**.
	Es posible que haya aire atrapado en el sistema de agua	Presione el brazo dispensador durante por lo menos 5 minutos.
	El agua en la reserva está congelada debido a que los controles están configurados en una temperatura demasiado fría	Configure el control del refrigerador en una configuración más caliente y espere 24 horas. Si el agua no es dispensada luego de 24 horas, comuníquese al servicio técnico.
Chorrea agua del dispensador*	El cartucho del filtro fue instalado en forma reciente	Deje correr agua del dispensador durante 5 minutos (aproximadamente 2 galones).

Algunos modelos no están equipados con el tapón del bypass del filtro. Para acceder a un tapón del bypass gratuito, llame al 800.692.6630 y solicite el tapón del bypass del filtro WR17X33825. En Canadá, llame al 800.561.3344.

## Consejos para la Solución de Problemas... Antes de solicitar el servicio técnico

Problema	Causas Posibles	Qué Hacer
No hay producción de agua ni de cubos de hielo*	La línea de suministro o la válvula de cierre están atascadas	Llame a un plomero
	El filtro de agua está atascado	Reemplace el cartucho del filtro o retire el filtro e instale el tapón del bypass**.
	El cartucho del filtro no está instalado de forma apropiada	Retire y vuelva a instalar el cartucho del filtro, asegurándose de que se puede bloquear correctamente en su lugar.
	La máquina de hacer hielo está apagada	Controle que la máquina de hacer hielo esté encendida. Consulte <i>Acerca de la Máquina de Hacer Hielo Automática</i> .
Gotea agua desde el dispensador*	Puede haber aire presente en el sistema de entrada de agua, haciendo que gotee agua luego de ser dispensada	Dispense agua durante por lo menos 5 minutos para eliminar el aire del sistema
AUTO FILL (LLENADO AUTOMÁTICO) bajo llenado/ sin llenado*	No todos los envases funcionan con <b>AUTO FILL (Llenado Automático)</b>	Intente con un envase diferente
	Mensaje de error	Consulte la pág. 11
		Sensor de limpieza. Consulte la pág. 11
AUTO FILL (Llenado Automático) se desborda*	No todos los envases funcionan con <b>AUTO FILL (Llenado Automático)</b>	Intente con un envase diferente
Enfriamiento del freezer, la comida fresca no se enfría	Es normal, cuando el refrigerador se enchufa por primera vez o luego de un corte de energía prolongado	Espere 24 horas para que la temperatura en ambos compartimiento alcance las temperaturas seleccionadas.
El dispensador de hielo se abre luego de cerrar el cajón del freezer*	Normal	La puerta del dispensador de agua se podrá abrir luego de cerrar la puerta del freezer para permitir el acceso
La puerta de mi refrigerador hace un chirrido	Disminución de lubricante debido a una limpieza accidental del lubricante sobre la bisagra	Es mejor ordenar la pieza del servicio de lubricante de GEA número WR97X166 y aplicar el mismo sobre la bisagra en la ubicación especificada  Es posible rociar un poco de lubricante no tóxico tal como espráis de cocción no adherente a base de silicona, vaselina o lubricantes de grado alimenticio aprobados por NSF. <b>IMPORTANTE:</b> No use WD-40, ya que este eliminará cualquier grasa restante en o alrededor de la bisagra.
	Nivelación inadecuada	Asegúrese de que la unidad esté nivelada.
	Si las puertas fueron retiradas y ensambladas nuevamente durante el proceso de instalación, la línea de flotación y el arnés debajo de la tapa de la bisagra superior se podrán salir de su posición y frotar contra la puerta mientras la puerta gira.	Retire la tapa de la bisagra superior y asegúrese de que la línea de flotación y el arnés que pasa a través del perno de la bisagra se hayan colocado apropiadamente y no toquen ninguna de las partes de la puerta durante la rotación.  También ayudará la aplicación de lubricante de grado alimenticio alrededor del área del buje en la puerta.
No se encontró ningún elemento después de escanear	<ul style="list-style-type: none"> <li>No todas las etiquetas son compatibles con el escáner.</li> <li>Conexión deficiente a WiFi               <ul style="list-style-type: none"> <li>Verifique la intensidad de la señal WiFi del teléfono cerca del electrodoméstico. Restablezca WiFi. Reubique el enrutador WiFi.</li> </ul> </li> </ul>	<p>Agregue un artículo a la lista de compras mediante la función Voice (Voz).</p> <p>Restablezca la SBC UI (interfaz de usuario) con la función de pulsación múltiple de la interfaz de usuario del cajón convertible.</p>
No se lee ningún escaneo	Obstrucción en el escáner	<p>Limpie el sensor. Consulte la página 12</p> <p>Compruebe la posición de la etiqueta. Consulte la página 12</p>

## Consejos para la Solución de Problemas... Antes de solicitar el servicio técnico

Problema	Causas Posibles	Qué Hacer
La pantalla muestra "item not found" (artículo no encontrado) al escanear	Elemento no encontrado en la base de datos.	Intentar volver a escanear. Escanee un producto compatible conocido. Agregue el artículo mediante Voz. Agregue el artículo manualmente desde el refrigerador o la aplicación SmartHQ.
Indicador LED del escáner de códigos de barras no activo	Escáner de código de barras desactivado	Habilite desde el menú Settings (Configuración)
	LED indicador desactivado	Habilite desde el menú Settings (Configuración)
	Problema de detección de presencia	Consulte la sección de detección de presencia
	Conexión Wifi	Verifique la conexión wifi en pantalla
El artículo no se escanea (no hay respuesta en la pantalla)	Etiqueta no admitida	Ciertos formatos de código de barras no son compatibles, como QR. Es posible que algunos códigos de barras de fabricantes no estén en la base de datos compatible. Agregue el artículo mediante Voz (Voice). Agregue mediante la aplicación SmartHQ (SmartHQ App)..
	Iluminación ambiental	Aumente la iluminación en la cocina o active la luz empotrada (Recess light) y vuelva a escanear. Intente cambiar la distancia de la etiqueta, ya sea alejándola o acercándola al escáner, con el LED indicador iluminando la etiqueta.
	Tamaño de etiqueta	Para etiquetas más pequeñas, acérquese. Para etiquetas más grandes, aléjese. Para superficies curvas, intente aplanar la etiqueta. Intente restablecer la unidad mediante Multi-key.
	Daño en la etiqueta	Inspeccione la etiqueta para detectar suciedad, daños, curvatura o arrugas.
	Reflectividad	Verifique si hay reflejo en la superficie de la etiqueta y elimine u oculte la fuente de luz adicional
	Orientación de la etiqueta	Mueva la etiqueta de modo que el área más ancha quede orientada hacia la lente del escáner de código de barras. Ajuste para que la etiqueta esté orientada aproximadamente a 45 grados respecto a la superficie de la pantalla. Intente cambiar la distancia de la etiqueta, ya sea alejándola o acercándola al escáner, con el LED indicador iluminando la etiqueta.
	Obstrucción del cristal	Mueva la etiqueta de modo que el área más ancha quede orientada hacia la lente del escáner de código de barras. Limpie suavemente con un paño húmedo. Consulte la sección de limpieza de Uso y Cuidado.
	Conexión Wifi	Intente volver a escanear. Verifique la conexión wifi en pantalla
	Bloqueo del Software	Restablezca la unidad utilizando la interfaz Convertible Drawer (Cajón Convertible). Abra el cajón, desbloquee el control y mantenga presionadas simultáneamente las teclas Meat (Carnes) y Snacks (Bocadillos) durante 3 segundos. Todos los controles de la unidad deberían restablecerse.
	Puertas abiertas	Asegúrese de que todas las puertas estén cerradas para que el escáner esté activo.
Artículo incorrecto mostrado	La base de datos utiliza el mismo número de producto para varios artículos.	Intente volver a escanear. Intente cambiar la orientación y la distancia de la etiqueta antes de volver a escanear. Agregue elemento mediante voz o SmartHQ.

## Consejos para la Solución de Problemas... Antes de solicitar el servicio técnico

Problema	Causas Posibles	Qué Hacer
Las imágenes de la cámara Fridge Focus no aparecen en la aplicación SmarHQ.	Verifique el estado del obturador de la cámara	Abra la contraventana o retire las obstrucciones
	Check for camera position and obstructions	Verifique la posición de la cámara y la presencia de obstrucciones
	Material de embalaje restante	Retire todo el material de embalaje de los cajones que pudiera obstruir el ribete plateado de los Cajones para Verduras.
	Verifique la limpieza del cristal	Limpie suavemente con un paño húmedo. Consulte la sección de Limpieza de Uso y Cuidado.
	Cámara desactivada	Asegúrese de que la cámara esté habilitada en el Menú de Configuración
	Duración	Generalmente, mantener los cajones abiertos durante 4-5 segundos proporcionará los mejores resultados para las imágenes de los cajones. Abra la puerta durante 10 segundos, abra el cajón para verduras durante 20 segundos, cierre todo, espere unos minutos y verifique en SmarHQ si se muestran las imágenes.
	Conexión Wifi	Verifique la conexión wifi en pantalla. Verifique la intensidad de la señal Wifi en el menú Settings (Configuración). Un valor inferior a -90 dB puede resultar en un rendimiento deficiente. Además, verifique que la aplicación SmarHQ (SmarHQ) muestre que su unidad está conectada a su cuenta.
Sin ruido audible	Ajustes	Verifique que el altavoz esté habilitado y aumente el volumen desde el menú de configuración.
Distorted audio	Ajustes	Verifique que el altavoz esté habilitado y aumente el volumen desde el menú de configuración.
	Obstrucción	Verifique que no haya ninguna obstrucción ni material sobre la superficie del altavoz.
	Bloqueo del software	Restablezca la unidad utilizando la interfaz de usuario Convertible Drawer (Cajón Convertible). Abra el cajón, desbloquee el control y mantenga presionadas simultáneamente las teclas Meat (Carnes) y Snacks (Bocadillos) durante 3 segundos. Todos los controles de la unidad deberían restablecerse.
No responde la pantalla táctil o la pantalla está congelada	Bloqueo del software	Restablezca la unidad utilizando la interfaz de usuario Convertible Drawer (Cajón Convertible). Abra el cajón, desbloquee el control y mantenga presionadas simultáneamente las teclas Meat (Carnes) y Snacks (Bocadillos) durante 3 segundos. Todos los controles de la unidad deberían restablecerse.
La luz Reces/Display/LED de enfoque no se activa cuando estoy frente a la unidad	Elemento que obstruye	La presencia prolongada de un objeto (como una isla de cocina o una silla alta) a una distancia de 40"-60" (pulg) del frente de la unidad puede provocar que el algoritmo de detección de presencia se desactive. Mueva el objeto que obstruye y el algoritmo debería restablecerse en aproximadamente 8 horas.
	Material	Algunos materiales o colores de ropa pueden ser más difíciles de detectar. Por ejemplo, forro polar oscuro o áspero. Toque la pantalla y el LED de puntería debería activarse.
PreciseFill se detiene antes de tiempo	Posicionamiento del contenedor	Consulte la sección de Autofill

# Verdad o Mito

## SERVICIO

¡Ahorre tiempo y dinero! Primero revise los cuadros que aparecen en las siguientes páginas y es posible que no necesite solicitar reparaciones.

## Verdad o Mito

Verdad o Mito?	Respuesta	Explicación
Es posible que se requiera un cambio del filtro de agua del refrigerador antes de los seis meses.	VERDADERO	El indicador del filtro de agua indicará la necesidad de reemplazar el filtro de agua cada seis meses o que se dispensen 170 galones (643.52 litros) de agua (modelos selectos únicamente). La calidad del agua varía de una ciudad a otra; si el flujo del agua del dispensador disminuye, o la producción de hielo decrece, el filtro de agua debería ser reemplazado, incluso aunque el indicador del filtro no indique la necesidad del reemplazo.
La máquina de hacer hielo automática de mi refrigerador produce hielo cuando el refrigerador se encuentra enchufado a un receptáculo de corriente.	MITO	El refrigerador debe ser conectado al agua, y la máquina de hacer hielo debe ser encendida. Asegúrese de que la máquina de hacer hielo esté encendida, sólo después de que la cañería de agua esté conectada y que el agua esté abierta. La máquina de hacer hielo puede ser encendida/ apagada desde los controles y asegurar que la misma está encendida, como se indica en el panel de control del refrigerador. Consulte Acerca de las funciones de los controles.
Luego de que el refrigerador haya sido enchufado y conectado al agua, tendré inmediatamente agua fría disponible desde el dispensador de agua.	MITO	El tanque del dispensador de agua ubicado dentro del refrigerador guarda agua para dispensar. El agua del tanque necesita 24 horas para enfriarse luego de la instalación. Las altas condiciones de uso no permitirán que haya tiempo para que el agua se enfríe.
Luego de dispensar agua, es normal que caigan unas pocas gotas de agua. .	VERDADERO	Es posible que caigan unas pocas gotas de agua del dispensador, luego de que la paleta del mismo se haya liberado. A fin de minimizar los goteos, retire el vidrio lentamente del dispensador.
Nunca veré escarcha dentro del compartimiento del freezer.	MITO	La escarcha dentro del freezer típicamente indica que la puerta no está correctamente sellada, o se dejó abierta. Si se encuentra escarcha, despeje la misma utilizando una espátula de plástico y una toalla, luego asegúrese de que no haya paquetes ni envases de comida que impidan que la puerta del freezer se cierre. Controle el panel de control del refrigerador para asegurar que la alarma de la puerta esté activada.
Cuando se instala el refrigerador, o luego de reemplazar el filtro de agua, debo dispensar agua por cinco minutos.	VERDADERO	Un refrigerador o filtro de agua instalado en forma reciente contiene aire en las cañerías de agua. Presione la paleta del dispensador y dispense agua durante por lo menos 5 minutos para eliminar el aire de la cañería de agua y despejar el filtro.
Para llenar la hielera hasta su capacidad máxima, debería dispensar entre 12 y 18 horas después de la instalación.	VERDADERO	Dispensar 3 o 4 cubos entre 12 y 18 horas luego de la instalación permite que el hielo se dispense dentro de la hielera, que a su vez requiere de la máquina de hacer hielo para producir hielo adicional. Producción normal de hielo = 100 cubos en 24 horas.
Puede usar el tapón del bypass del filtro de agua para determinar si el filtro requiere un reemplazo.	VERDADERO	Una reducción en el flujo del dispensador de agua o una reducción en la producción de hielo podrán indicar la necesidad de reemplazar el filtro de agua. Instale el tapón del bypass del filtro de agua (provisto con el refrigerador sur certains modèles*), y controle el flujo desde el dispensador. Si el flujo de agua regresa a la normalidad con la colocación del tapón del bypass, reemplace el filtro de agua.
La parte superior de las puertas del refrigerador siempre estará alineada.	MITO	Varias cosas pueden afectar la alineación de la puerta de alimentos frescos, incluyendo el piso sobre el cual el refrigerador está instalado, y la carga de las puertas. Si la parte superior de las puertas de alimentos frescos no están alineadas, use una llave Allen de 1/4" para ajustar la puerta derecha o izquierda. El tornillo de ajuste está ubicado en el costado inferior derecho o izquierdo de la puerta; abra la puerta del freezer para acceder al tornillo.
Las manijas de la puerta del refrigerador se pueden ajustar fácilmente.	VERDADERO	Si las manijas de la puerta están flojas o tienen una separación con la puerta, se podrán ajustar usando una llave Allen de 1/8", sobre los tornillos ubicados en los extremos de las manijas.
Es posible que el hielo presente problemas con su olor y sabor.	VERDADERO	Luego de iniciar la máquina de hacer hielo, deshágase de 24 horas de producción de hielo para evitar problemas de olor y sabor.
Puedo hacer ajustes finos sobre las puertas de alimentos frescos para alinearlas.	VERDADERO	Si las puertas de alimentos frescos no están alineadas, use una llave Allen de 1/4" para ajustar la puerta de la derecha. El tornillo de ajuste se encuentra en la parte inferior de la derecha / izquierda de la puerta. Abra la puerta del freezer para tener acceso.

## Verdad o Mito

### SERVICIO

¡Ahorre tiempo y dinero! Primero revise los cuadros que aparecen en las siguientes páginas y es posible que no necesite solicitar reparaciones.

### Verdad o Mito

Verdad o Mito?	Respuesta	Explicación
Las manijas de la puerta siempre se deben retirar para la instalación.	MITO	Controle el cuadro sobre el lado inverso de esta instrucción. Si las puertas se deben retirar, no retire las manijas, o si el refrigerador cabe cómodamente a través de la abertura del pasillo. Ajuste las manijas que estén flojas o que posean un espacio, ajustando el conjunto de tornillos de 1/8" en cada extremo de las manijas.
Siempre se requiere el retiro de la puerta para la instalación.	MITO	Controle el cuadro sobre el lado inverso de esta instrucción. Las puertas sólo se deben retirar cuando sea necesario para evitar daños en el pasillo o en el acceso hasta la ubicación final.
Las puertas del refrigerador se cerrarán solas si se las deja abiertas.	MITO	Las puertas del refrigerador deberán ser cerradas por el usuario. Un rebote suave hacia atrás es una función diseñada en algunos modelos que brinda una respuesta positiva al usuario, de modo que pueda iniciar y completar la acción del cierre de puertas.
Hay un ajuste a las ruedas traseras.	MITO	Las patas niveladoras frontales son ajustables y se deberían usar para equilibrar el refrigerador. Las patas niveladoras se usan para hacer el ajuste inicial de la puerta de alimentos frescos.
Controle pérdidas una vez realizadas todas las conexiones del agua.	VERDADERO	Al purgar el aire del sistema de agua, controle pérdidas en todas las conexiones de las cañerías de agua. Controle la conexión con el suministro de agua del hogar en la parte trasera del refrigerador, y en la conexión de la tubería de agua de la puerta.
Cualquier residuo del embalaje se podrá eliminar del refrigerador con un limpiador.	MITO	No use cera, pulidor, blanqueador u otros productos que contengan cloro sobre los paneles de Acero Inoxidable, manijas de puertas y componentes. Para acceder a detalles completos, controle estas instrucciones en "Limpieza de la Parte Exterior".

\*Algunos modelos no están equipados con el tapón del bypass del filtro. Para acceder a un tapón del bypass gratuito, llame al 800.692.6630 y solicite el tapón del bypass del filtro WR17X33825. En Canadá, llame al 800.561.3344.

# GE Appliances Garantía Limitada del Refrigerador

GARANTÍA LIMITADA

## GEAppliances.com

Todo el servicio de garantía limitada es provisto por nuestros Centros de Servicio de Fabricación, o un técnico autorizado de Servicio al Cliente (Customer Care®). Para programar una visita del servicio técnico, visítenos en GEAppliances.com, o comuníquese al 833.4BODEWELL (833.426.3393). Cuando llame para solicitar el servicio, tenga los números de serie y modelo disponibles.

Para realizar el servicio técnico de su refrigerador se podrá requerir el uso de datos del puerto de abordaje para su diagnóstico. Esto da al técnico del Servicio de Fábrica de GE Appliances la habilidad de diagnosticar de forma rápida cualquier problema con su electrodoméstico, y de ayudar a GE Appliances a mejorar sus productos al brindarle a GE Appliances la información sobre su electrodoméstico. Si no desea que los datos de su electrodoméstico sean enviados a GE Appliances, solicitamos que le indique a su técnico NO entregar los datos a GE Appliances en el momento del servicio.

Por el período de	GE Appliances reemplazará:
<b>Un Año</b> Desde la fecha de la compra original	<b>Cualquier parte</b> del refrigerador que falle debido a un defecto en los materiales o la fabricación. Durante esta <b>garantía limitada de un año</b> , GE Appliances también proveerá, <b>sin costo</b> , todo el trabajo y el servicio relacionado con el reemplazo de la parte que presente defectos.
<b>Treinta Días</b> (Filtro de Agua, si está incluido) Desde la fecha de la compra original del refrigerador	<b>Cualquier parte</b> del cartucho del filtro de Agua que falle debido a un defecto en los materiales o la fabricación. Durante la <b>garantía limitada por treinta días</b> , GE Appliances también le brindará, <b>sin costo</b> , el reemplazo de un cartucho del filtro de agua.

### Sólo Modelos GE PROFILE™

<b>Cinco Años</b> Desde la fecha de la compra original	<b>Cualquier parte del sistema de refrigeración sellado (el compresor, condensador, evaporador y todas las tuberías de conexión)</b> que falle debido a un defecto en los materiales o la fabricación. Durante esta <b>garantía de cinco años del sistema de refrigeración sellado</b> , GE Appliances también proveerá, sin costo, todo el trabajo y el servicio relacionado con el reemplazo de la parte que presente defectos en el sistema de refrigeración sellado.
---	--

### Qué No Está Cubierto:

- Viajes del técnico del servicio a su hogar para enseñarle sobre cómo usar el producto.
- Instalación, entrega o mantenimiento inadecuados.
- Fallas del producto en caso de abuso, mal uso, o uso para propósitos diferentes al original o uso comercial.
- Pérdida de alimentos por mal estado.
- Reemplazo de fusibles de la casa o reinicio de disyuntores.
- Daños sobre el acabado, tales como óxido sobre la superficie, deslustres o manchas pequeñas no informadas dentro de las 48 horas luego de la entrega.
- Reemplazo del cartucho del filtro de agua, si se incluye, debido a la presión del agua que está fuera del rango de funcionamiento específico o debido a exceso de sedimentos en el suministro de agua.
- Reemplazo de bombillas de luz, si se incluyen, o del cartucho del filtro de agua, si se incluye, a diferencia de lo detallado anteriormente.
- Daños ocasionados sobre el producto por accidente, incendio, inundaciones o catástrofes naturales.
- Daños consecuentes o incidentales causados por posibles defectos de este producto.
- Producto no accesible para brindar el servicio requerido.
- Daño ocasionado por un filtro de agua de una marca que no es GE Appliances.

**EXCLUSIÓN DE GARANTÍAS IMPLÍCITAS**—Su única y exclusiva alternativa es la reparación del producto, como se indica en la Garantía Limitada. Las garantías implícitas, incluyendo garantías implícitas de comerciabilidad o conveniencia sobre un propósito particular, se limitan a un año o al período más corto permitido por la ley.

Esta garantía limitada se extiende al comprador original y a cualquier dueño subsiguiente de productos comprados para uso hogareño dentro de EE.UU. Si el producto está en un área donde no se encuentra disponible un Proveedor Autorizado del Servicio Técnico de GE Appliances, usted será responsable por el costo de un viaje o se podrá requerir que traiga el producto a una ubicación del Servicio Técnico de GE Appliances Autorizado para recibir el servicio. En Alaska, la garantía limitada excluye el costo de envío o llamadas del servicio a su hogar. Algunos estados no permiten la exclusión o limitación de daños fortuitos o consecuentes. Esta garantía le da derechos legales específicos y es posible que tenga otros derechos legales que varían entre un estado y otro. Para conocer cuáles son sus derechos legales, consulte a la oficina de asuntos del consumidor local o estatal o al Fiscal de su estado.

**Garante: GE Appliances, a Haier company Louisville, KY 40225**

**En Canadá (incluida la provincia de Quebec):** Esta garantía limitada se entrega al comprador original y a cualquier dueño futuro para cubrir productos comprados en Canadá, incluido Quebec, para su uso doméstico dentro de Canadá e incluso Quebec. Si el producto se encuentra en una zona donde no haya servicio disponible por parte de un Reparador Autorizado de GE Appliances, es posible que deba asumir los costos de traslado o llevar el producto a un Centro de Servicio Autorizado de GE Appliances.

En algunas provincias, entre las que se incluye Quebec, no se permite la exclusión o limitación de daños incidentales o consecuentes. Esta garantía le otorga derechos legales específicos, y usted puede tener otros derechos que varían según la jurisdicción, incluida la provincia de Quebec. Consulte la oficina de defensa al consumidor de su ciudad o provincia para conocer sus derechos.

**Solo para consumidores de Quebec. Aviso de la garantía de disponibilidad de repuestos, servicios de reparación e información necesaria para reparaciones o mantenimiento (sección 39 de la Ley de Defensa al Consumidor):** Recuerde que MC Commercial Inc. («MC Commercial») no garantiza, de acuerdo con el contenido de la sección 39 de la Ley de Defensa al Consumidor, CQLR, c. P-40.1 y las secciones 79.18 a 79.20 de la Regulación respecto de la aplicación de la Ley de Defensa al Consumidor, CQLR, c. P-40.1, r. 3, la disponibilidad de repuestos, servicios de reparación o la información necesaria para el mantenimiento o la reparación de bienes manufacturados, importados, publicitados o vendidos por MC Commercial.

MC Commercial Inc. ofrece la garantía limitada del fabricante tal como se expresa en el Manual o la Guía Rápida del Propietario, que es distinta de la garantía legal de disponibilidad provista de acuerdo con la sección 39 de la Ley de Defensa al Consumidor.

**Garante: MC Commercial Inc., Burlington, ON, L7L 6B2**

Atroche su recibo aquí. Para acceder al servicio técnico de acuerdo con la garantía deberá contar con la prueba de la fecha original de compra.

# Garantía Limitada del Cartucho del Filtro de Agua XWFE

Comuníquese con nosotros en [cafeappliances.com](http://cafeappliances.com)

<b>Por el Período de:</b>	<b>Reemplazaremos, Sin Costo:</b>
<b>Treinta Días</b> Desde la fecha de compra original.	Cualquier parte del cartucho del filtro de agua que falle debido a un defecto en los materiales o la fabricación durante esta garantía limitada de treinta días.*

**Qué No Está Cubierto:**

- Viajes del técnico del servicio a su hogar para enseñarle sobre cómo usar el producto.
- Instalación inadecuada.
- Fallas del producto en caso de abuso, mal uso, o uso para propósitos diferentes a l original o uso comercial
- Reemplazo de fusibles de la casa o reinicio de disyuntores.
- Reemplazo del cartucho del filtro de agua debido a la presión del agua que está fuera del rango de funcionamiento específico o debido a exceso de sedimentos en el suministro de agua
- Daños ocasionados sobre el producto por accidente, incendio, inundaciones o catástrofes naturales.
- Daños consecuentes o incidentales causados por posibles defectos de este producto.

**EXCLUSIÓN DE GARANTÍAS IMPLÍCITAS:**

Su única y exclusiva alternativa es el cambio de la pieza, como se indica en esta Garantía Limitada. Las garantías implícitas, incluyendo garantías implícitas de comerciabilidad o conveniencia sobre un propósito particular, se limitan a seis meses o al período más corto permitido por la ley.

Esta garantía se extiende al comprador original y a cualquier dueño subsiguiente de productos adquiridos para uso hogareño dentro de EE.UU. En Alaska, la garantía excluye el costo de envío o llamadas al servicio técnico desde su hogar.

Algunos estados no permiten la exclusión o limitación de daños fortuitos o consecuentes. Esta garantía le da derechos legales específicos y es posible que tenga otros derechos legales que varían entre un estado y otro. Para conocer cuáles son sus derechos legales, consulte a la oficina de asuntos del consumidor local o estatal o al Fiscal de su estado.

Para Adquisiciones Realizadas en Iowa: Este formulario debe poseer la firma y fecha del comprador y del vendedor antes de la consumación de esta venta.

Este formulario debería ser retenido por el vendedor en un archivo durante un mínimo de dos años.

**Comprador:**

Nombre \_\_\_\_\_

Domicilio \_\_\_\_\_

Ciudad \_\_\_\_\_ Estado \_\_\_\_\_ Código Postal \_\_\_\_\_

Firma \_\_\_\_\_ Fecha \_\_\_\_\_

**Vendedor:**

Nombre \_\_\_\_\_

Domicilio \_\_\_\_\_

Ciudad \_\_\_\_\_ Estado \_\_\_\_\_ Código Postal \_\_\_\_\_

Firma \_\_\_\_\_ Date \_\_\_\_\_

\* Si su pieza de GE Appliances falla debido a un defecto en la fabricación dentro de los treinta días desde la fecha de compra original, le entregaremos una pieza nueva o, a su elección, una pieza reconstruida sin cargo. Devuelva la pieza defectuosa al proveedor de piezas a quien le realizó la compra, junto con una copia de la "prueba de compra" de la pieza. Si la pieza es defectuosa y no muestra signos de abuso, será cambiada. La garantía no cubre la falla de las piezas que están dañadas mientras están en su posesión, si son abusadas, o si fueron instaladas de forma incorrecta. No cubre el costo de regresar la pieza al proveedor a quien le realizó la compra ni cubre el costo del trabajo para retirar o instalar la misma a fin de diagnosticar la falla. No cubre las piezas usadas en productos de uso comercial, excepto en el caso de equipos acondicionadores de aire. En ningún caso GE Appliances será responsable por daños consecue ntes.

**Garante: GE Appliances, a Haier company**  
**Louisville, KY 40225**

Abroche su recibo aquí. Para acceder al servicio técnico de acuerdo con la garantía deberá contar con la prueba de la fecha original de compra.

# Ficha Técnica de Funcionamiento del Modelo: XWFE

- Sistema certificado por IAPMO R&T contra los Estándares 42, 53, 401, y P473 de NSF/ANSI para la reducción de demandas especificadas en la ficha técnica de rendimiento y en [iapmort.org](http://iapmort.org).
- El rendimiento real podrá variar en relación a las condiciones locales del agua.

Sustancia Evaluada para la Reducción	Concentración del peligro de intrusión (mg/L)	Concentración de aguas máximas permitidas sobre el producto (mg/L)	% Promedio de Reducción
Gusto y Olor a Cloro	2.0 mg/L +/- 10%	N/A	96.9
Gusto y Olor a Cloramina	3.0 mg/L +/- 10%	0.5	96.9
Partícula, Clase I	Por lo menos 10,000 partículas/mL	N/A	91.4
Partícula, Clase I	50,000/L	N/A	>99.99
Plomo	0.15	0.01	98.85
Mercurio	0.006	0.002	96.3
Mercurio	107 to 108 fibras/L	N/A	>99
Toxafeno	0.015 +/- 10%	0.003	86.95
VOC (químico sustituto del cloroformo)	0.300	0.015	99.7
Alacloro	0.050	0.001	> 98
Atrazina	0.100	0.003	> 97
Benceno	0.081	0.001	> 99
Carbofurano	0.190	0.001	> 99
Tetracloruro de carbono	0.078	0.0018	98
Clorobenceno	0.077	0.001	> 99
Cloropincrina	0.015	0.0002	99
2,4-D	0.110	0.0017	98
Dibromocloropropano (DBCP)	0.052	0.00002	> 99
o-Diclorobenceno	0.08	0.001	> 99
P-Diclorobenceno	0.040	0.001	> 98
1,2-dicloroetano	0.088	0.0048	95
1,2-dicloroetano	0.083	0.001	> 99
Cis-1,2-dicloroetileno	0.170	0.0005	> 99
Trans-1,2-dicloroetileno	0.086	0.001	> 99
1,2-dicloropropano	0.080	0.001	> 99
cis-1,3-dicloropropileno	0.079	0.001	> 99
Dinoseb	0.170	0.0002	99
Endrina	0.053	0.00059	99
Etilbenceno	0.088	0.001	> 99
Dibromuro de etileno (EDB)	0.044	0.00002	> 99
Bromocloroacetnitrilo	0.022	0.0005	98
Dibromoacetnitrilo	0.024	0.0006	98
dichloroacetnitrilo	0.0096	0.0002	98
Dicloroacetnitrilo	0.015	0.0003	98
1,2-dicloro-2-propanona	0.0072	0.0001	99
1,1,1-tricloro-2-propanona	0.0082	0.0003	96
Heptacloro (H-34, Heptox)	0.025	0.00001	>99
Epóxido de heptacloro	0.0107	0.0002	98
Hexaclorociclopentadieno	0.044	0.001	> 98
Hexaclorociclopentadieno	0.060	0.000002	> 99
Lindano	0.055	0.00001	> 99
Metoxicloro	0.050	0.0001	> 99
Pentaclorofenol	0.096	0.001	> 99
Simazina	0.120	0.004	> 97
Tetracloroetileno	0.150	0.0005	> 99
1,1,2,2-Tetracloroetileno	0.081	0.001	> 99
Tetracloroetileno	0.081	0.001	> 99
Tolueno	0.078	0.001	> 99
2,4,5-TP (silvex)	0.270	0.0016	99
Ácido tribromoacético	0.042	0.001	> 98
1,2,4-Triclorobenceno	0.160	0.0005	> 99
1,1,1-tricloroetano	0.084	0.0046	95
1,1,2-tricloroetano	0.150	0.0005	> 99
Tricloroetileno	0.180	0.0010	> 99
Bromoformo	0.300	0.015	95
Bromodichlorometano	0.300	0.015	95
clorodibromometano	0.300	0.015	95
Xileno	0.070	0.001	>99
Meprobamato	400 +/- 20%	60	95.5
Atenolol	200 +/- 20%	30	95.9
carbamazepina	1400 +/- 20%	200	98.6
DEET	1400 +/- 20%	200	98.6
Metolacoloro	1400 +/- 20%	200	98.7
Trimetoprima	140 +/- 20%	20	96.1
Linuron	140 +/- 20%	20	96.6
TCEP	5000 +/- 20%	700	98.1
TCPP	5000 +/- 20%	700	98.1
Fenitoína	200 +/- 20%	30	96
Naproxeno	400 +/- 20%	60	95.9
Naproxeno	140 +/- 20%	20	96.5
Estrona	140 +/- 20%	20	97.1
Bisfenol A	2000 +/- 20%	300	99.1
Nonyl phenol	1400 +/- 20%	200	97.3

## Pautas de Aplicación/ Parámetros de Suministro de Agua

Flujo de Servicio	0.5 gpm (1.89 lpm)
Suministro de Agua	Agua Potable
Presión del Agua	25-120 psi (172-827 kPa)
Temperatura del agua	33°F-100°F (0.6°C-38°C)
Capacidad	170 galones (643.5 litros)

Es esencial que se cumpla con los requisitos de instalación, mantenimiento y reemplazo de filtros recomendados por el fabricante, a fin de que el producto funcione de acuerdo a como fue promocionado. Para acceder a información sobre la Garantía, consulte el Manual de Instalación.

**NOTA:** Observe que aunque la evaluación se realizó de acuerdo con condiciones estándares de laboratorio, el desempeño puede variar. Reemplazo del Cartucho: XWFE. Para conocer costos estimados de elementos de reemplazo, visite nuestro sitio Web en [geappliancesparts.com](http://geappliancesparts.com).

**⚠ ADVERTENCIA** A fin de reducir el riesgo asociado con la ingestión de contaminantes:

- No se deben usar con agua que no sea microbiológicamente segura o de calidad desconocida sin una desinfección adecuada, antes o después, del sistema. Los sistemas certificados para la reducción de quistes se podrían usar en aguas desinfectadas que puedan contener quistes filtrables.

## AVISO

A fin de reducir el riesgo de pérdidas de agua o inundación, y para asegurar un rendimiento óptimo del filtro:

- Lea y siga las Instrucciones de uso antes de la instalación y uso de este sistema.
- La instalación y uso DEBERÁN cumplir con todos los códigos estatales y locales de plomería.
- No se deberá instalar si la presión del agua supera los 120 psi (827 kPa). Si la presión del agua es superior a los 80 psi (552 kPa), deberá instalar una válvula limitadora de presión. Si no está seguro sobre cómo controlar la presión del agua, comuníquese con un plomero profesional.
- No instale cuando se puedan producir condiciones de golpe de ariete. Si existen condiciones de golpe de ariete, deberá instalar un suspensor de golpes de ariete.
- Si no está seguro sobre cómo controlar esta condición, comuníquese con un plomero profesional.
- No instale en líneas de suministro de agua caliente. La temperatura máxima de funcionamiento del agua para este sistema de filtro es de 100°F (37.8°C).
- Proteja el filtro de heladas. Drene el filtro cuando las temperaturas sean inferiores a 33°F (0.6°C).
- Cambie el cartucho del filtro descartable cada seis meses o antes, si observa una reducción notoria en el promedio del flujo de agua.
- Si no se reemplaza el cartucho del filtro descartable en intervalos recomendados, se podrá producir un rendimiento inferior del filtro y quebraduras en el espacio de colocación del filtro, ocasionando pérdidas de agua o inundación.
- Este sistema fue evaluado de acuerdo con NSF/ANSI 42, 53, 401, y P473 para la reducción de las sustancias que figuran a continuación. La concentración de las sustancias indicadas en agua que ingresa al sistema fue reducida a una concentración inferior o igual al límite permitido de agua que deja el sistema, de acuerdo con lo especificado en NSF/ANSI 42, 53, 401, y P473.



Sistema XWFE certificado por IAPMO R&T contra los Estándares 42, 53, 401, y P473 de NSF/ANSI para la reducción de demandas especificadas en la ficha técnica de rendimiento en [iapmort.org](http://iapmort.org).

# Soporte para el Consumidor

---

## Sitio Web de GE Appliances

¿Desea realizar una consulta o necesita ayuda con su electrodoméstico? ¡Intente a través del Sitio Web de GE Appliances las 24 horas del día, cualquier día del año! Usted también puede comprar más electrodomésticos maravillosos de GE Appliances y aprovechar todos nuestros servicios de soporte a través de Internet, diseñados para su conveniencia.  
En EE.UU.: [GEAppliances.com](http://GEAppliances.com)

---

## Registre su Electrodoméstico

¡Registre su electrodoméstico nuevo a través de Internet, según su conveniencia! Un registro puntual de su producto permitirá una mejor comunicación y un servicio más puntual de acuerdo con los términos de su garantía, en caso de surgir la necesidad. También puede enviar una carta en la tarjeta de inscripción preimpresa que se incluye con el material embalado.  
En EE.UU.: [GEAppliances.com/register](http://GEAppliances.com/register)

---

## Servicio Programado

El servicio de reparación de expertos de GE Appliances está a sólo un paso de su puerta. Conéctese a través de Internet y programe su servicio a su conveniencia cualquier día del año. En EE.UU.: [GEAppliances.com/service](http://GEAppliances.com/service) o comuníquese al 800.432.2737 durante el horario de atención comercial.

---

## Garantías Extendidas

Adquiera una garantía extendida de GE Appliances y conozca los descuentos especiales que están disponibles mientras su garantía aún está vigente. La puede adquirir en cualquier momento a través de Internet. Los servicios de GE Appliances aún estarán allí cuando su garantía caduque.  
En EE.UU.: [GEAppliances.com/extended-warranty](http://GEAppliances.com/extended-warranty) o comuníquese al 800.626.2224 durante el horario de atención comercial.

---

## Piezas y Accesorios

Aquellos individuos calificados para realizar el servicio técnico de sus propios electrodomésticos podrán solicitar el envío de piezas o accesorios directamente a sus hogares (se aceptan las tarjetas VISA, MasterCard y Discover). Ordene hoy a través de Internet durante las 24 horas, todos los días. En EE.UU.: [GEApplianceparts.com](http://GEApplianceparts.com) o de forma telefónica al 877.959.8688 durante el horario de atención comercial.

**Las instrucciones que figuran en este manual cubren los procedimientos que serán realizados por cualquier usuario. Otros servicios técnicos generalmente deben ser derivados a personal calificado del servicio. Se deberá tener cuidado, ya que una reparación indebida podrá hacer que el funcionamiento no sea seguro.**

---

## Contáctenos

Si no se encuentra satisfecho con el servicio que recibió de GE Appliances, comuníquese con nosotros a través de nuestro sitio Web con todos los detalles, incluyendo su número telefónico, o escriba a:

En EE.UU.: General Manager, Customer Relations | GE Appliances, Appliance Park | Louisville, KY 40225  
[GEAppliances.com/contact](http://GEAppliances.com/contact)