

MONOGRAM 36" TOUCH CONTROL ELECTRIC COOKTOP

ZEU36RSJSS



GLIDE TOUCH CONTROLS

Precisely control heat instantly and easily with one swipe

FIVE RADIANT COOKING ELEMENTS

Cook foods quickly and evenly on this sleek, glass surface

12"/9"/6" 3,600W POWER BOIL ELEMENT

Flexible triple element allows you to use different pan sizes on a single location that produces rapid powerful heat

9"/7"/5" 3,000W POWER BOIL ELEMENT

Flexible triple element allows you to use different pan sizes on a single location that produces rapid powerful heat

SYNCBURNERS

Control two 7" elements simultaneously to evenly heat large cookware or the included griddle

STAINLESS STEEL CLAD ALUMINUM GRIDDLE

Achieve even results with this lightweight griddle, tailored to fit Monogram SyncBurners

KEEP WARM SETTING

Keep food warm with our lowest heat setting, while still boiling water in minutes with this fully functional 6" element

MELT SETTING

Gently melt delicate foods without burning or scorching

MULTI-ELEMENT TIMER

Manage up to five pans at once with individual timers for each element

CONTROL LOCK CAPABILITY

Protects against unintended activation

CUSTOM SETTINGS

Personalize your cooktop settings to fit your cooking style

RED AND WHITE LED DISPLAY WITH PATTERNED BLACK GLASS SURFACE

Elegant and easy to read

STAINLESS STEEL FRAME

Completely surrounds the cooktop surface to complement all other stainless steel appliances



SPECIFICATIONS

Overall Width	36 1/8" (91.5)
Overall Depth	20 7/8" (53.0)
Overall Height	6" (15.2)
Cut-out Width	33 7/8" (86.0)
Cut-out Depth	19 1/8" (48.6)
Conduit Length	48" (122)
Electrical Rating	10,800W at 240V/60Hz 8,100W at 208V/60Hz
Recommended Circuit Breaker Size	50 Amps
Net Weight	45 lbs. (20.5 kg)
Approx. Shipping Weight	55 lbs. (25.0 kg)

ATTENTION ELECTRICIAN:

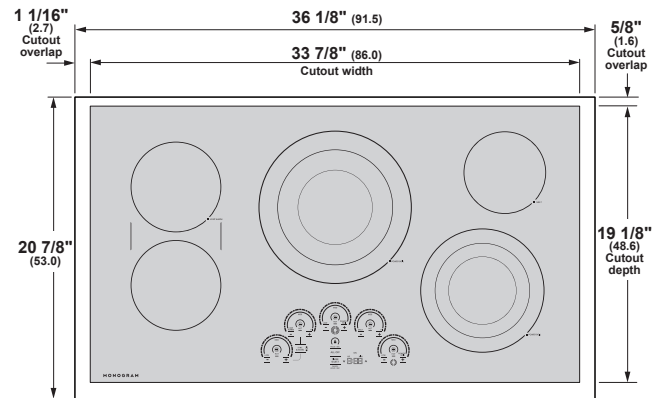
This cooktop is provided with a 48" flexible conduit and must be hard wired (direct wired) into an approved junction box and be properly grounded. It is not permitted to use a "plug and receptacle" type installation on this cooktop.

Use a two-wire, three conductor 208/240V AC, 60 Hertz electrical system. A white (neutral) wire is not needed for this cooktop.

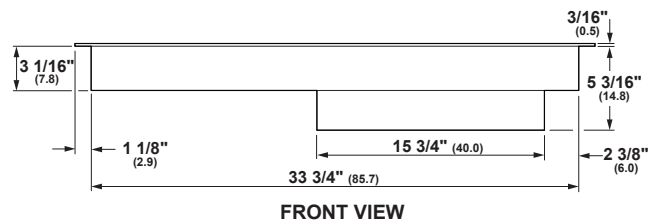
The cooktop must be installed in a circuit that does not exceed 125V AC nominal to ground.

For more details refer to the installation instructions for this product.

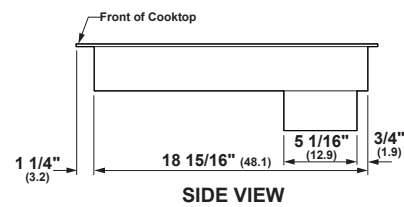
OVERALL DIMENSIONS



TOP VIEW (SHOWING CUTOUT OVERLAP)



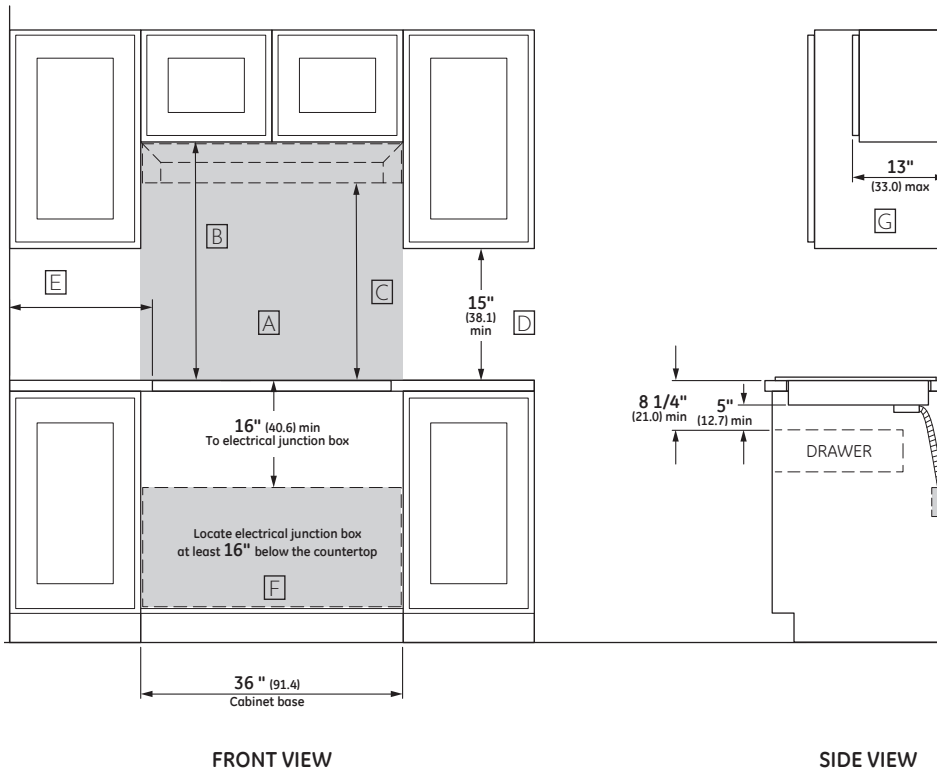
FRONT VIEW



SIDE VIEW

Dimensions in parentheses are in centimeters unless otherwise noted. Actual product dimensions may vary due to manufacturing tolerances.

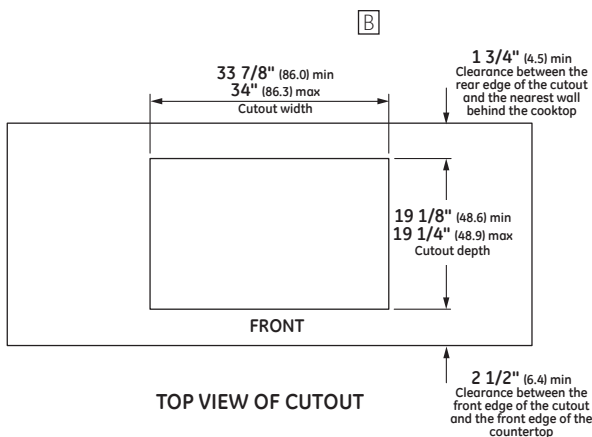
STANDARD INSTALLATION



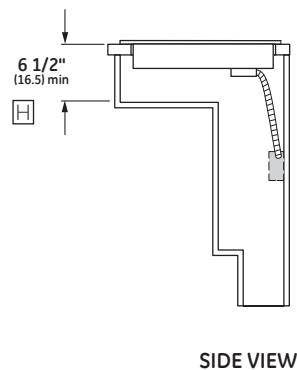
HELPFUL TIPS

- A** Wall coverings, countertop and cabinets surrounding cooktop must be able to withstand temperatures of up to 200°F.
- B** Minimum 30" clearance from countertop to unprotected overhead surfaces, when no ventilation hood is installed.
- C** When using a ventilation hood above the cooktop, see hood installation instructions for minimum overhead clearance dimensions.
- D** Minimum 15" of clearance from countertop to nearest overhead surface on either side of cooktop. Make sure to include any lighting rail covers in calculation.
- E** Minimum 2" distance from edge of cutout to nearest adjacent side wall below upper cabinets.
- F** Install an approved junction box where it can be easily reached through the front of the cabinet where the cooktop is located. **IMPORTANT:** For serviceability, the junction box must be located where it will allow considerable slack in the 48" long conduit.
- G** Maximum 13" depth of unprotected overhead surfaces, when no ventilation hood is installed.
- H** For Americans with Disabilities Act (ADA) forward approach installation: Minimum 6-1/2" clearance between the top of the countertop and the enclosure. The enclosure must be made of at least 1/4" thick wood material, and must have an access panel installed in order to provide access to the junction box and hold-down brackets, and to allow for service of the cooktop.

COUNTERTOP CUT-OUT DIMENSIONS

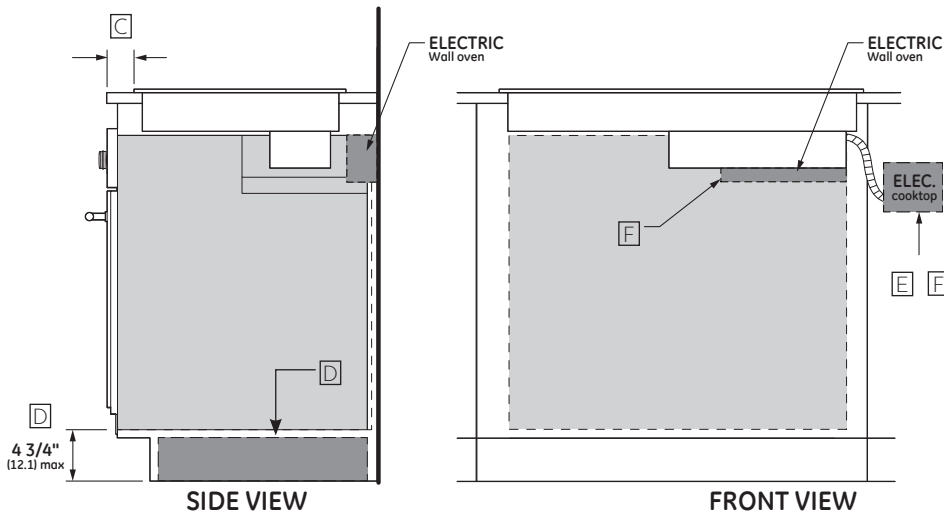


ADA INSTALLATION

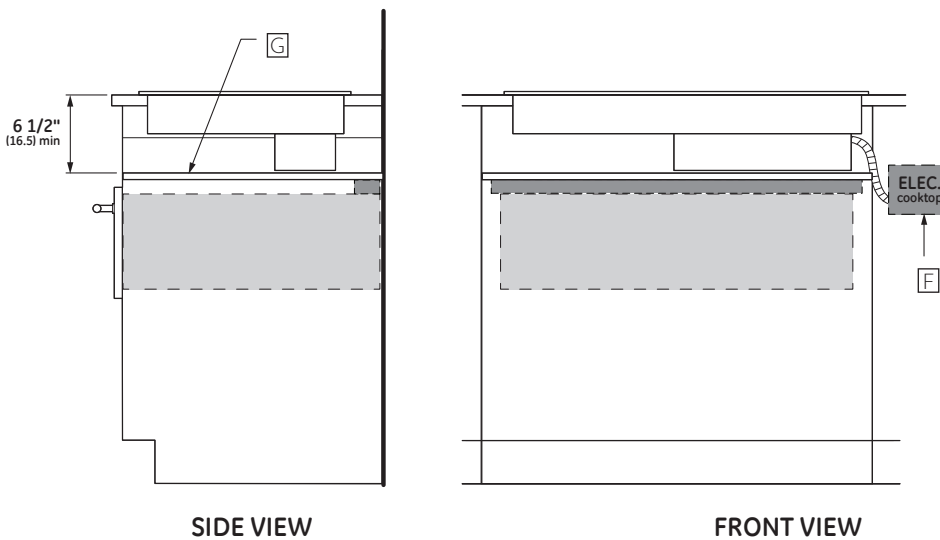


Dimensions in parentheses are in centimeters unless otherwise noted.

INSTALLATION ABOVE WALL OVEN **A**



INSTALLATION ABOVE WARMING DRAWER **B**



For more details, refer to the installation instructions for this product on Monogram.com. Dimensions in parentheses are in centimeters unless otherwise noted.

HELPFUL TIPS

- A** Note this cooktop is only approved for installation above specific wall ovens as labeled on this unit.
- B** Warming drawers are approved for installation below only certain specified cooktop models. See the label attached to the top of the warming drawer or underside of the cooktop for approved combinations.
- C** When this cooktop is installed above a flush-mounted wall oven, the clearance from the front edge of the countertop to the front edge of the cooktop cutout is minimum 2-1/2" plus the wall oven cleat setback.
- D** Maximum toe kick height of 4" when installed above a certified wall oven (4-3/4" including thickness of support platform).
- E** Junction box location for wall oven (may also be located in adjacent cabinet).
- F** Electrical connection for cooktop must be located in an accessible adjacent location to the right (may also be located in adjacent cabinet).
- G** When installing the cooktop above a warming drawer, a solid barrier must be installed at least 6-1/2" from the bottom of the countertop. Use any solid material such as 1/4" thick plywood. Allow at least 1/4" air gap between the barrier and the top of the warming drawer.